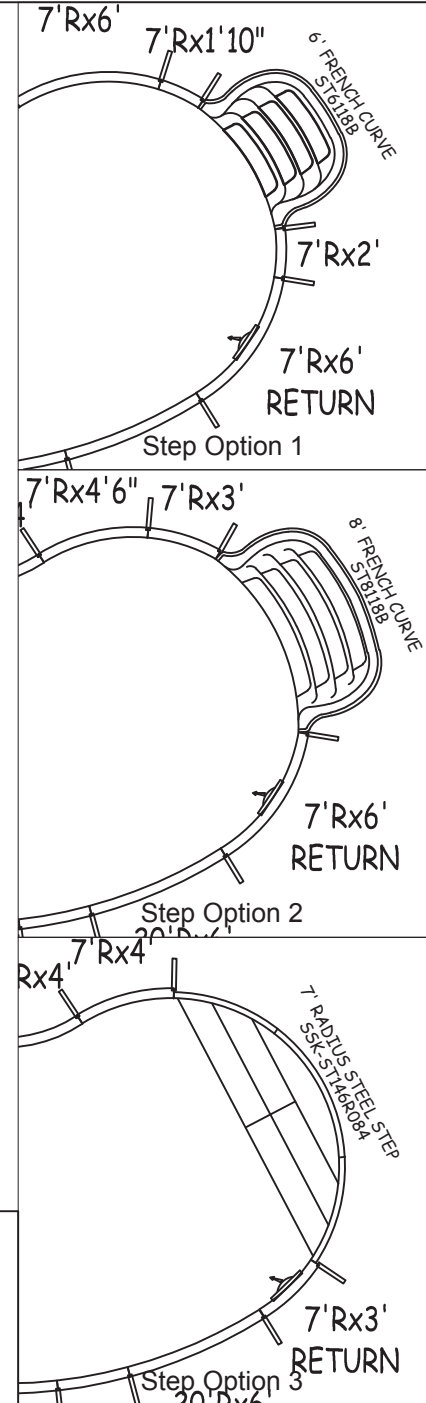
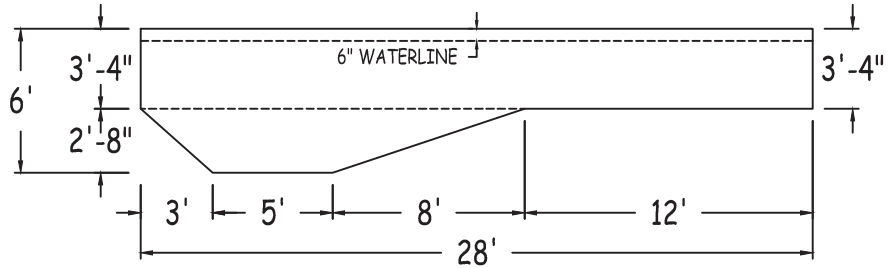
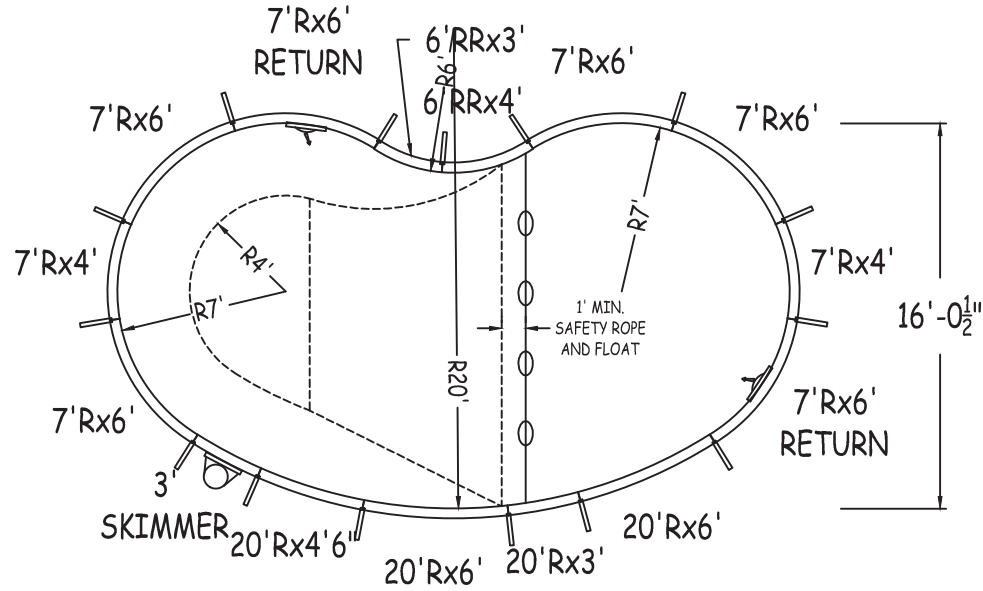
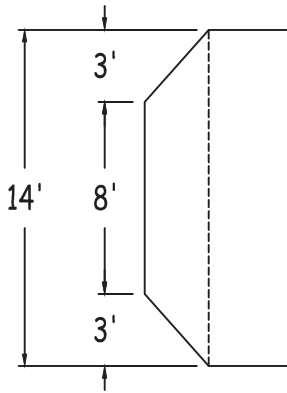


IN ACCORDANCE WITH ANSI/APSP/ICC-5 2011, THE INSTALLER IS RESPONSIBLE FOR PLACING ONE SKIMMER FOR EVERY 800 SQUARE FEET OF SURFACE AREA AND ONE RETURN FOR EVERY 300 SQUARE FEET OF SURFACE AREA.



LATHAM STEEL

CRESCENT 14-0 x 16-1 x 28-0 RIGHT

42" STEEL PANELS

PERIMETER: 73'-6" VOLUME (US Gal): 10000

DWG#: LSCR00S1428R15

SURFACE (ft²): 361 VOLUME (Liters): 37800

LSCR00S1428R15

LINER (ft²): 392 DATE: 1/1/2015 DSR: 127

KIT#: CR00S1428

COVER (ft²): 589 SCALE: 1/8" = 1'-0"



NON-DIVING POOL

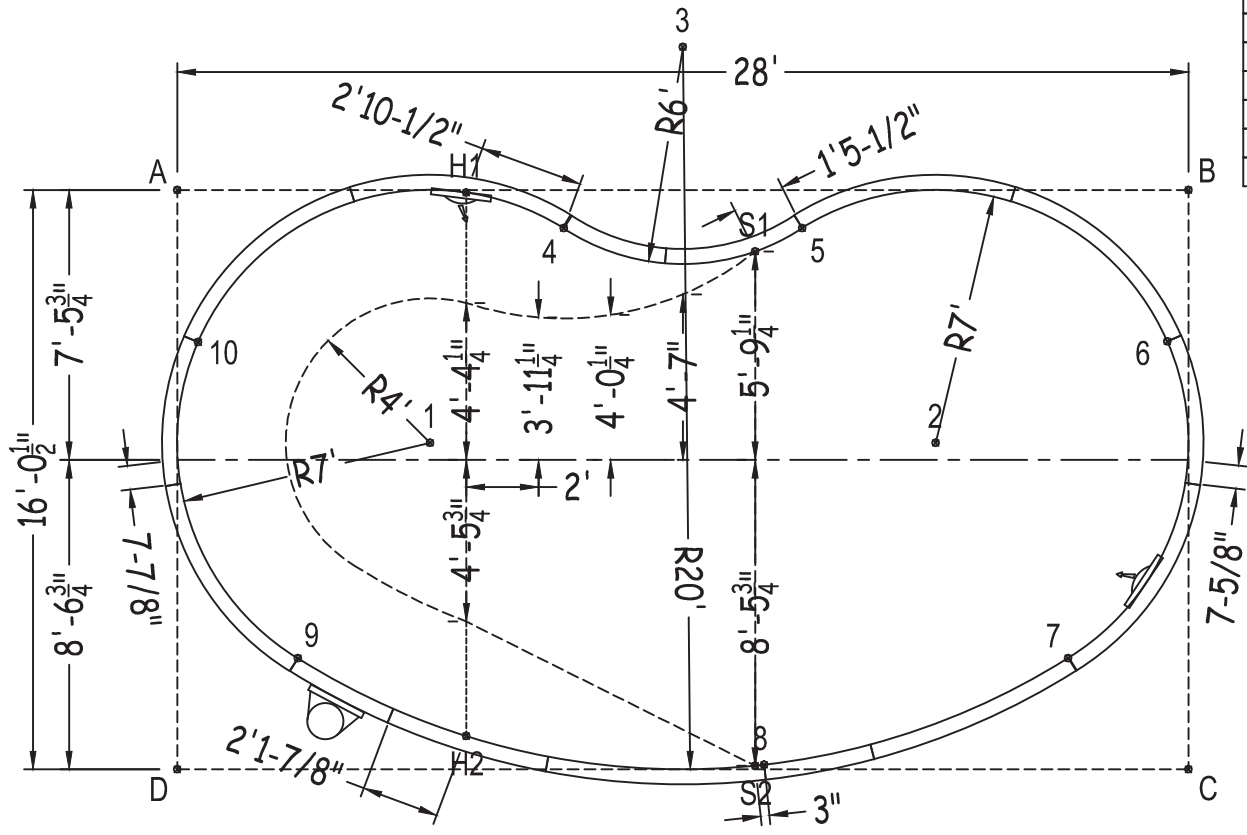
USE OF DIVING EQUIPMENT IS PROHIBITED

MEETS DEPTH AND SHAPE MINIMUM STANDARD ANSI/APSP/ICC-5 2011



SHEET: 1 OF 3

Center To Center	4 to 5	6'-7 1/4"	6 to 7	9'-2 1/4"
1 to 2	4 to 6	17'-0"	6 to 8	16'-2 1/4"
1 to 3	4 to 7	18'-4 1/4"	6 to 9	25'-7 1/2"
2 to 3	4 to 8	15'-10 1/4"	6 to 10	26'-10"
Diagonals	4 to 9	14'-0"	7 to 8	8'-11"
S1toS2	4 to 10	10'-7 1/4"	7 to 9	21'-4"
H1toH2	5 to 6	10'-7"	7 to 10	25'-7 1/2"
S1toH1	5 to 7	14'-0"	8 to 9	13'-3"
S2toH2	5 to 8	14'-10 3/4"	8 to 10	19'-6 3/4"
S1toH2	5 to 9	18'-4 1/4"	9 to 10	9'-2"
H1toS2	5 to 10	17'-1 1/4"		



Part number	Description	Base	Option 1	Option 2	Option 3
		QTY	QTY	QTY	QTY
RA0722402X	20'Rx6'	2	2	2	2
RA0542401X	20'Rx4'6"	1	1	1	1
RA0362400X	20'Rx3'	1	1	1	1
RA036SK30*	3' SKIMMER	1	1	1	1
RA0720841X	7'Rx6'	4	3	2	2
RA0720841*	7'Rx6' RETURN	2	2	2	1
RA0540841X	7'Rx4'6"	-	-	1	-
RA0480841X	7'Rx4'	2	1	1	2
RA0360840X	7'Rx3'	-	-	1	-
RA0360840*	7'Rx3' RETURN	-	-	-	1
RA0240840X	7'Rx2'	-	1	-	-
RA0220840X	7'Rx1'10"	-	1	-	-
RR0480721X	6'RRx4'	1	1	1	1
RR0360720X	6'RRx3'	1	1	1	1
Brace	Brace	15	16	15	14
IPC-STKPK25	REBAR STAKE 18" 25PC	2	2	2	2
IPC-HDWSTRT150	BOLT STR 3/8-16X1" C/W NUT 150PC	2	2	2	2
ST6118B	THKSH T STEP FRENCH CURVE 6'	-	1	-	-
ST8118B	THKSH T STEP FRENCH CURVE 8'	-	-	1	-
SSK-ST146R084	STEEL STEP RAD 3 TRD 12'2"X7'RA	-	-	-	1

	A	B	C	D
1	9'-10 3/4"	22'-1 3/4"	22'-10 1/2"	11'-5 1/4"
2	22'-1 3/4"	9'-10 3/4"	11'-5 1/4"	22'-10 1/2"
3	14'-6 1/2"	14'-6 1/2"	24'-5"	24'-5"
4	10'-9"	17'-4"	22'-10 3/4"	18'-5"
5	17'-4"	10'-9"	18'-5"	22'-10 3/4"
6	27'-8 3/4"	4'-2 3/4"	11'-10 1/4"	29'-10 1/2"
7	27'-10 1/2"	13'-4 1/2"	4'-6 1/2"	24'-10 1/4"
8	22'-9"	19'-9 1/2"	11'-9"	16'-3"
9	13'-4 1/2"	27'-10 1/2"	24'-10 1/4"	4'-6 1/2"
10	4'-3"	27'-9"	29'-10 1/2"	11'-10"
S2	22'-7"	19'-11 1/2"	12'-0"	16'-0"
S1	16'-1"	12'-1 1/2"	18'-8 1/4"	21'-5 3/4"
H2	17'-1 1/4"	25'-1"	20'-1 1/4"	8'-3/4"
H1	8'-0"	20'-0"	25'-7 1/4"	17'-10 1/4"
A	-	28'-0"	32'-3 1/4"	16'-1 1/2"

