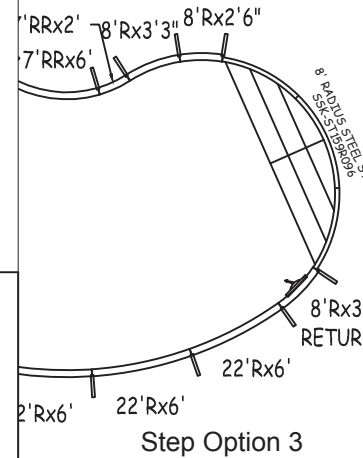
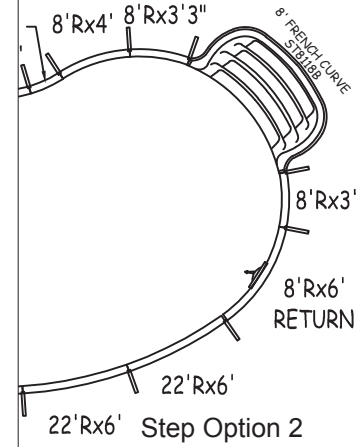
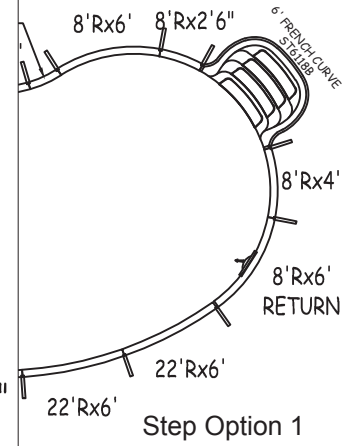
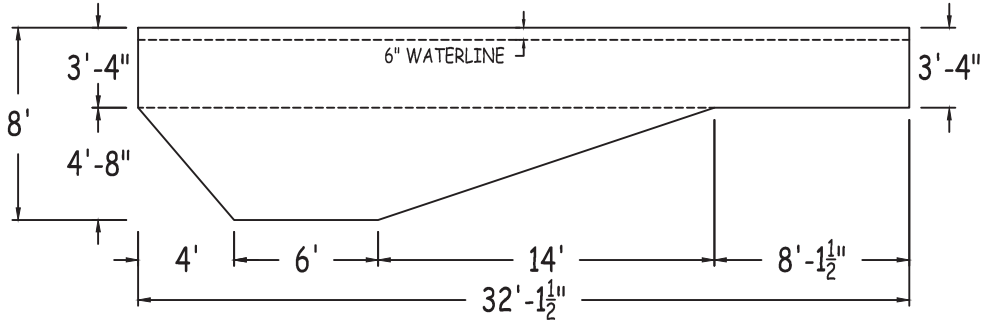
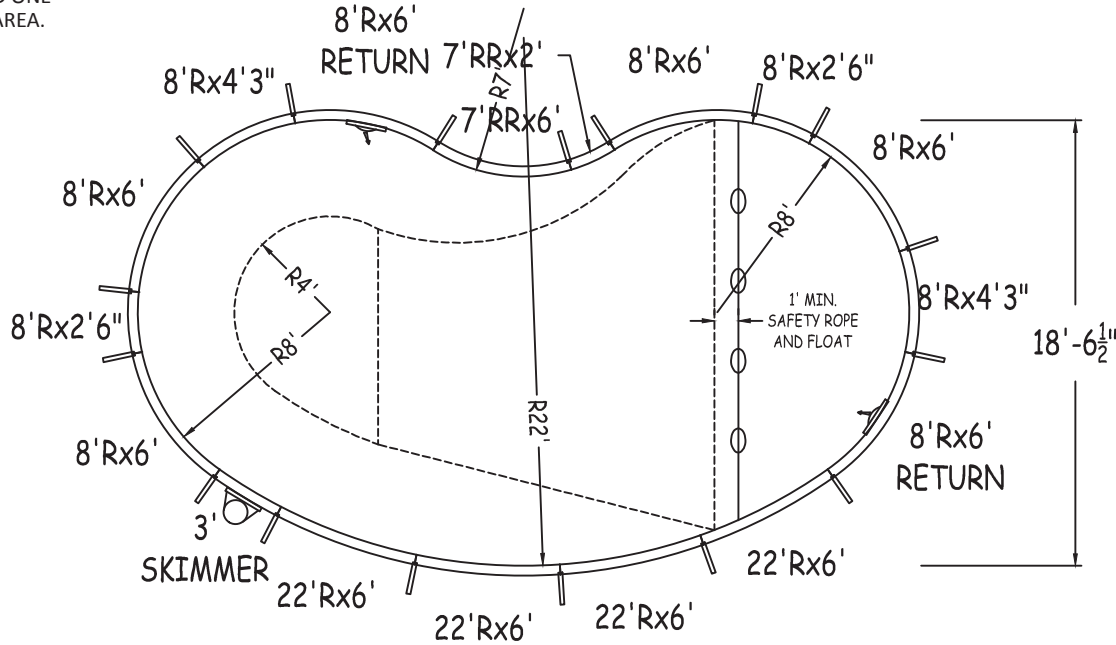
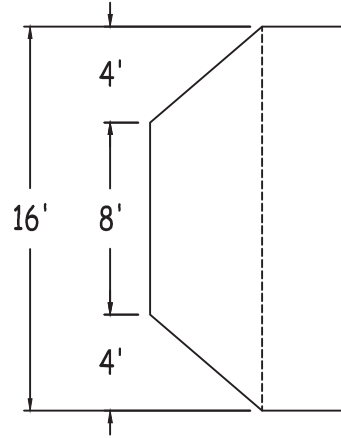


IN ACCORDANCE WITH ANSI/APSP/ICC-5 2011, THE INSTALLER IS RESPONSIBLE FOR PLACING ONE SKIMMER FOR EVERY 800 SQUARE FEET OF SURFACE AREA AND ONE RETURN FOR EVERY 300 SQUARE FEET OF SURFACE AREA.



LATHAM STEEL CRESCENT 16-0 x 18-7 x 32-2 RIGHT

42" STEEL PANELS	PERIMETER:	84'-6"	VOLUME (US Gal):	15700
DWG#:	SURFACE (ft²):	477	VOLUME (Liters):	59400
LSCR00S1632R15	LINER (ft²):	514	DATE:	1/1/2015
KIT#:	COVER (ft²):	757	DSR:	138
CR00S1632			SCALE:	1/8" = 1'-0"



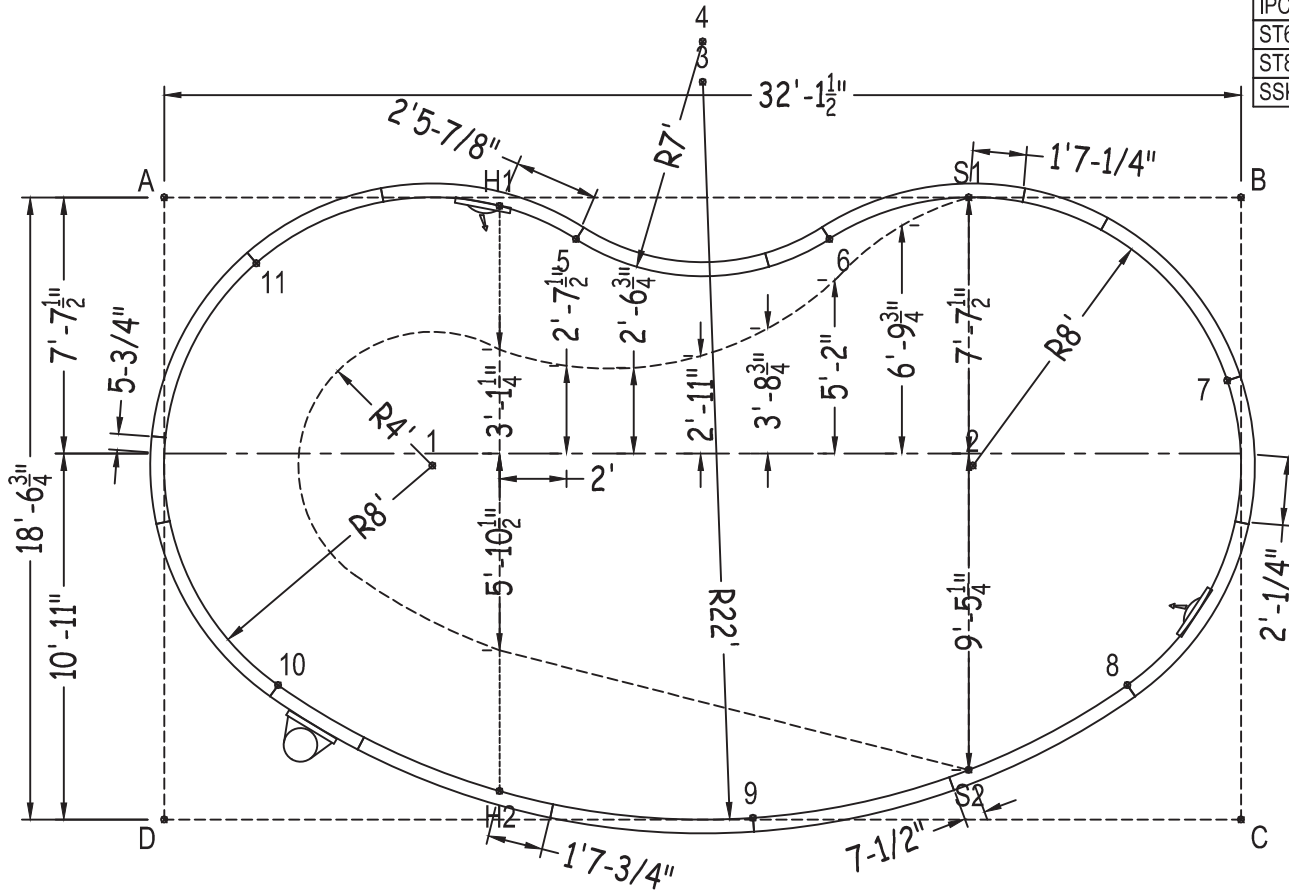
DIVING/SLIDING EQUIPMENT SHALL BE DESIGNED FOR SWIMMING POOLS AND SHALL BE INSTALLED IN ACCORDANCE WITH THE DIVING/SLIDING EQUIPMENT MANUFACTURER'S SPECIFICATIONS. PLEASE CONTACT THE DIVING/SLIDING EQUIPMENT MANUFACTURER FOR THEIR SPECIFICATIONS.

MEETS DEPTH AND SHAPE MINIMUM STANDARD ANSI/APSP/ICC-5 2011



Center To Center	H1toH2	17'-5 1/2"	5 to10	16'-0"	7 to10	29'-8 3/4"
1 to 2	S1toH1	14'-0"	5 to11	9'-6 3/4"	7 to11	29'-2"
1 to 3	S2toH2	14'-1/4"	6 to 7	12'-7 1/4"	8 to 9	11'-10 1/4"
1 to 4	S1toH2	22'-6 3/4"	6 to 8	16'-0"	8 to10	25'-4"
2 to 3	H1toS2	21'-10 1/2"	6 to 9	17'-5"	8 to11	28'-10 1/4"
2 to 4	5 to 6	7'-6 3/4"	6 to10	21'-1 3/4"	9 to10	14'-8 1/2"
3 to 4	5 to 7	19'-10 1/2"	6 to11	17'-1 1/4"	9 to11	22'-2 1/2"
Diagonals	5 to 8	21'-1 3/4"	7 to 8	9'-6 3/4"	10to11	12'-7 1/4"
S1toS2	5 to 9	18'-1/2"	7 to 9	19'-3"		

Part number	Description	Base	Option 1	Option 2	Option 3
		QTY	QTY	QTY	QTY
RA0722642X	22'Rx6'	4	4	4	4
RA036SK30*	3' SKIMMER	1	1	1	1
RA0720961X	8'Rx6'	4	3	2	2
RA0720961*	8'Rx6' RETURN	2	2	2	1
RA0510961X	8'Rx4'3"	2	1	1	1
RA0480961X	8'Rx4'	-	1	1	-
RA0390960X	8'Rx3'3"	-	-	1	1
RA0360960X	8'Rx3'	-	-	1	-
RA0360960*	8'Rx3' RETURN	-	-	-	1
RA0300960X	8'Rx2'6"	2	2	1	2
RR0720841X	7'RRx6'	1	1	1	1
RR0240840X	7'RRx2'	1	1	1	1
Brace	Brace	17	17	17	16
IPC-STKPK25	REBAR STAKE 18" 25PC	2	2	2	2
IPC-HDWSTR150	BOLT STR 3/8-16X1" C/W NUT 150PC	2	2	2	2
ST6118B	THKSH T STEP FRENCH CURVE 6'	-	1	-	-
ST8118B	THKSH T STEP FRENCH CURVE 8'	-	-	1	-
SSK-ST159R096	STEEL STEP RAD 3 TRD 13'3"X8'RA	-	-	-	1



	A	B	C	D
1	11'-3 3/4"	25'-5"	26'-4"	13'-3"
2	25'-5"	11'-3 3/4"	13'-3"	26'-4"
3	16'-5 1/4"	16'-5 1/4"	27'-2 3/4"	27'-2 3/4"
4	16'-8 3/4"	16'-8 3/4"	28'-2 3/4"	28'-2 3/4"
5	12'-4 1/4"	19'-10 1/2"	26'-4"	21'-2 3/4"
6	19'-10 1/2"	12'-4 1/4"	21'-2 3/4"	26'-4"
7	32'-2"	5'-5 3/4"	13'-1 1/4"	34'-3 3/4"
8	32'-2 1/2"	14'-11 1/4"	5'-3"	29'-0"
9	25'-6"	23'-6 1/2"	14'-6 3/4"	17'-6 3/4"
10	14'-11 1/4"	32'-2 1/2"	29'-0"	5'-3"
11	3'-4 1/2"	29'-5 1/4"	33'-8 3/4"	16'-9 3/4"
S2	29'-5 1/2"	18'-11"	8'-3"	24'-1/2"
S1	24'-0"	8'-1 1/2"	20'-3"	30'-4"
H2	20'-4"	28'-4"	22'-1 3/4"	10'-1/2"
H1	10'-0"	22'-1 1/2"	28'-8 1/2"	20'-10 1/4"
A	-	32'-1 1/2"	37'-1 1/4"	18'-6 3/4"

CRESCENT 16-0 X 18-7 X 32-2 RIGHT

DWG #: LSCR00S1632R15

DATE: 1/1/2015

SHEET: 2 OF 3

