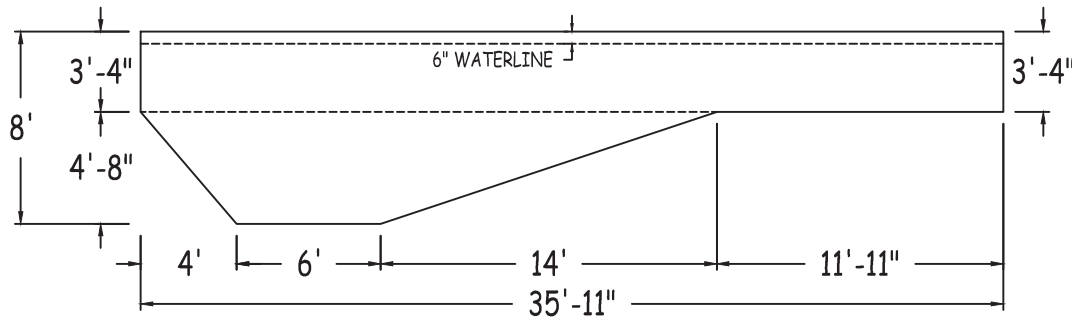
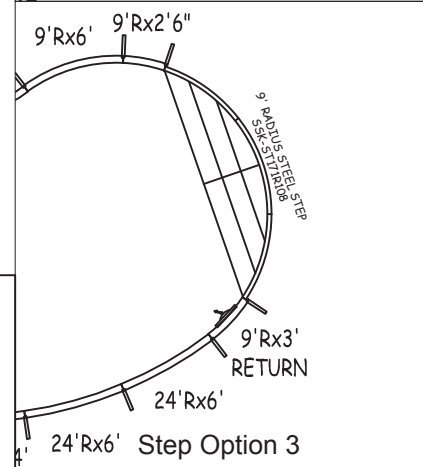
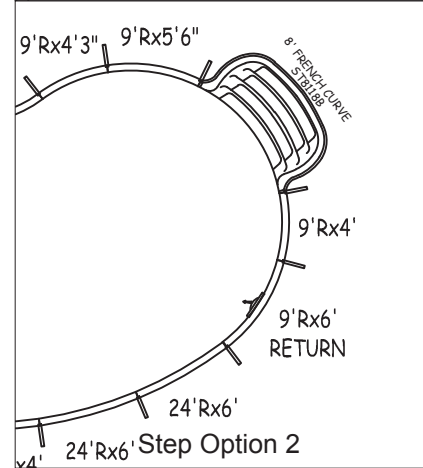
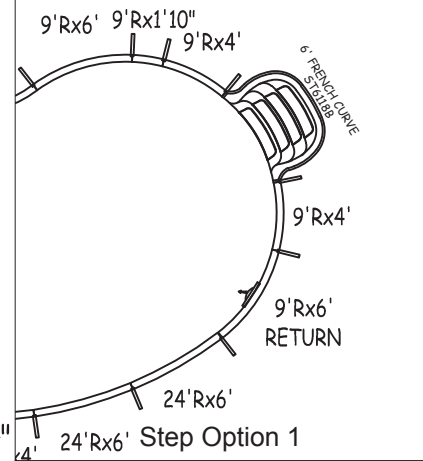
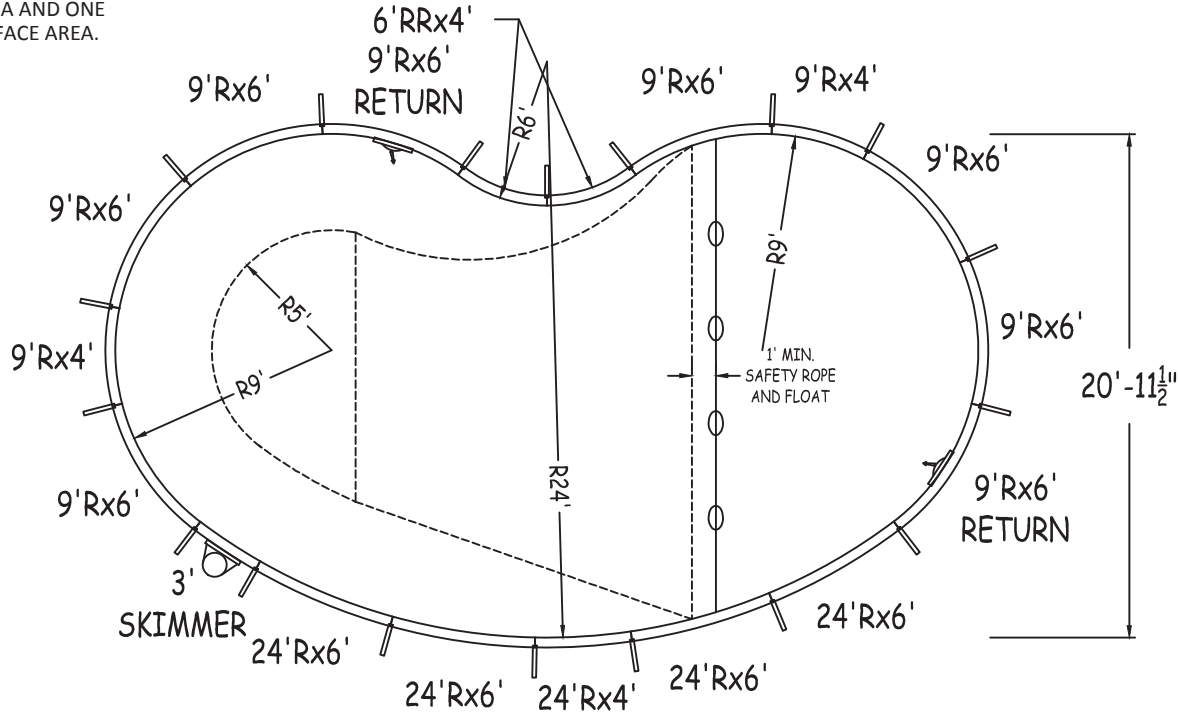
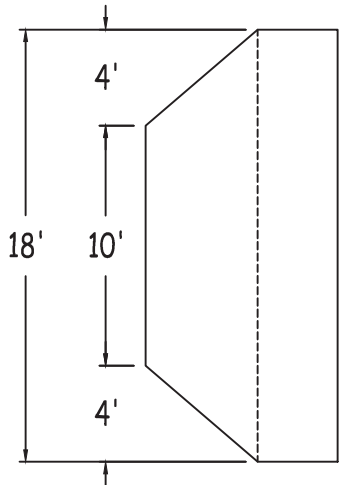


IN ACCORDANCE WITH ANSI/APSP/ICC-5 2011, THE INSTALLER IS RESPONSIBLE FOR PLACING ONE SKIMMER FOR EVERY 800 SQUARE FEET OF SURFACE AREA AND ONE RETURN FOR EVERY 300 SQUARE FEET OF SURFACE AREA.



LATHAM STEEL

CRESCENT 18-0 x 21-0 x 35-11 RIGHT

42" STEEL PANELS	PERIMETER:	95'-0"	VOLUME (US Gal):	19700
DWG#:	SURFACE (ft ²):	600	VOLUME (Liters):	74600
LSCR00S1836R15	LINER (ft ²):	647	DATE:	1/1/2015
			DSR:	127
KIT#:	COVER (ft ²):	934	SCALE:	1/8" = 1'-0"
CR00S1836				



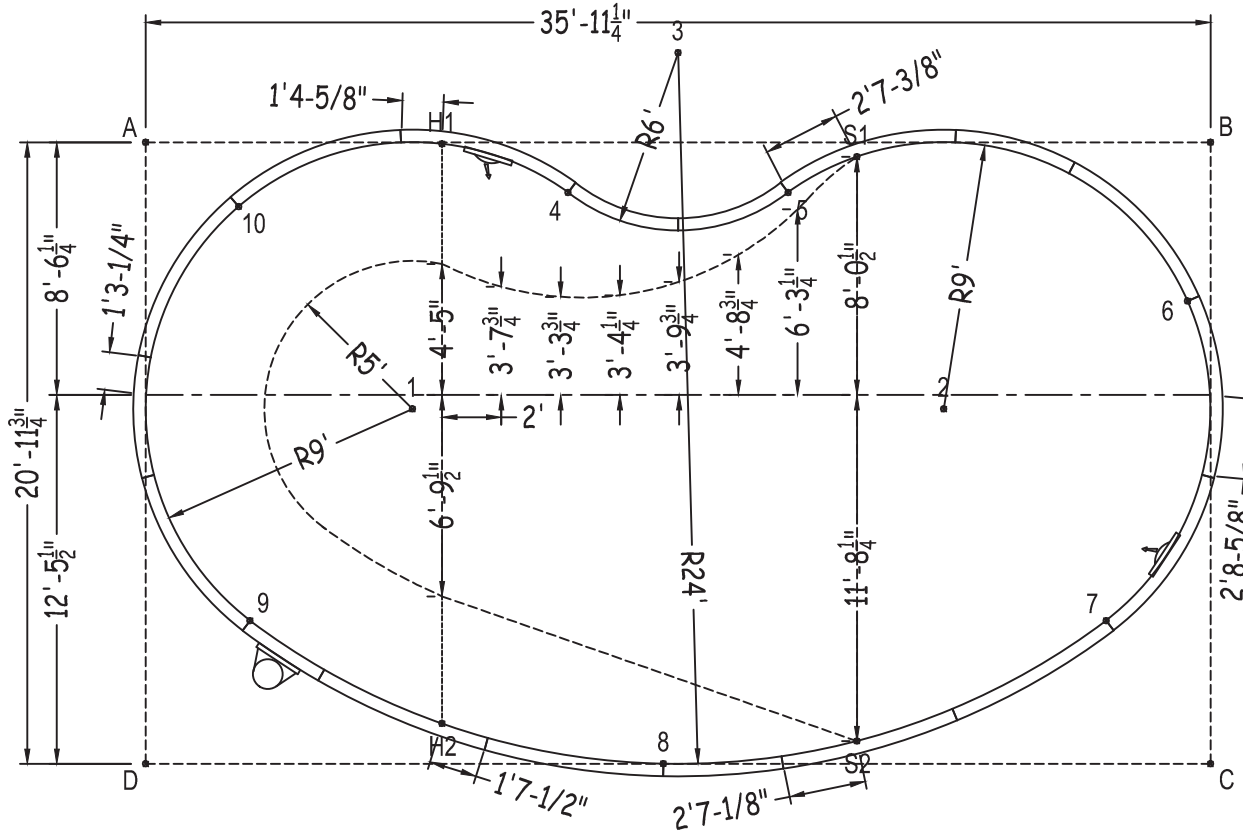
DIVING/SLIDING EQUIPMENT SHALL BE DESIGNED FOR SWIMMING POOLS AND SHALL BE INSTALLED IN ACCORDANCE WITH THE DIVING/SLIDING EQUIPMENT MANUFACTURER'S SPECIFICATIONS. PLEASE CONTACT THE DIVING/SLIDING EQUIPMENT MANUFACTURER FOR THEIR SPECIFICATIONS.

MEETS DEPTH AND SHAPE MINIMUM STANDARD ANSI/APSP/ICC-5 2011



Center To Center	S2toH2	14'- 1/4"	4 to10	11'-1 1/2"	6 to 9	33'-5 1/4"
1 to 2	S1toH2	23'-8 1/2"	5 to 6	13'-11 3/4"	6 to10	32'-2 1/4"
1 to 3	H1toS2	24'-6 1/2"	5 to 7	18'-0"	7 to 8	15'-8 1/2"
2 to 3	4 to 5	7'-5"	5 to 8	19'-8 3/4"	7 to 9	28'-10 3/4"
Diagonals	4 to 6	21'-2 3/4"	5 to 9	23'-2 1/2"	7 to10	32'-5 1/4"
S1toS2	4 to 7	23'-2 1/2"	5 to10	18'-6 1/2"	8 to 9	14'-9"
H1toH2	4 to 8	19'-6 1/2"	6 to 7	11'-1 1/2"	8 to10	23'-7 3/4"
S1toH1	4 to 9	18'-0"	6 to 8	23'-7 1/4"	9 to10	13'-11 3/4"

Part number	Description	Base	Option 1	Option 2	Option 3
		QTY	QTY	QTY	QTY
RA0722882X	24'Rx6'	4	4	4	4
RA0482881X	24'Rx4'	1	1	1	1
RA036SK30*	3' SKIMMER	1	1	1	1
RA0721081X	9'Rx6'	6	4	3	4
RA0721081*	9'Rx6' RETURN	2	2	2	1
RA0661081X	9'Rx5'6"	-	-	1	-
RA0511081X	9'Rx4'3"	-	-	1	-
RA0481081X	9'Rx4'	2	3	2	1
RA0361080*	9'Rx3' RETURN	-	-	-	1
RA0301080X	9'Rx2'6"	-	-	-	1
RA0221080X	9'Rx1'10"	-	1	-	-
RR0480721X	6'RRx4'	2	2	2	2
Brace	Brace	18	19	18	17
IPC-STKPK25	REBAR STAKE 18" 25PC	2	2	2	2
IPC-HDWSTRT150	BOLT STR 3/8-16X1" C/W NUT 150PC	2	2	2	2
ST6118B	THKSH T STEP FRENCH CURVE 6'	-	1	-	-
ST8118B	THKSH T STEP FRENCH CURVE 8'	-	-	1	-
SSK-ST171R108	STEEL STEP RAD 3 TRD 14'3"X9'RA	-	-	-	1



	A	B	C	D
1	12'-8 3/4"	28'-4 3/4"	29'-5 3/4"	14'-11 3/4"
2	28'-4 3/4"	12'-8 3/4"	14'-11 3/4"	29'-5 3/4"
3	18'-2 3/4"	18'-2 3/4"	29'-11 3/4"	29'-11 3/4"
4	14'-4 1/4"	21'-9"	29'- 1/4"	23'-11 3/4"
5	21'-9"	14'-4 1/4"	23'-11 3/4"	29'- 1/4"
6	35'-6 3/4"	5'-5"	15'-7 3/4"	38'-5 3/4"
7	36'-2 1/2"	16'-6 1/4"	5'-11 3/4"	32'-9 1/4"
8	27'-3 1/2"	27'-11 1/4"	18'-5 1/2"	17'-5 1/2"
9	16'-6 1/4"	36'-2 1/2"	32'-9 1/4"	5'-11 3/4"
10	3'-9 3/4"	32'-10 1/2"	37'-9 3/4"	19'- 3/4"
S2	31'-4 1/2"	23'-5 1/2"	11'-11 1/2"	24'- 1/4"
S1	24'-0"	11'-11 1/4"	23'-8 1/2"	31'-6 3/4"
H2	22'- 1/4"	32'-6 1/4"	25'-11 3/4"	10'-1"
H1	10'-0"	25'-11 1/4"	33'-3 3/4"	23'-2 1/4"
A	-	35'-11 1/4"	41'-7 1/4"	20'-11 3/4"

CRESCENT 18-0 X 21-0 X 35-11 RIGHT

DWG #: LSCR00S1836R15

DATE: 1/1/2015

SHEET: 2 OF 3

