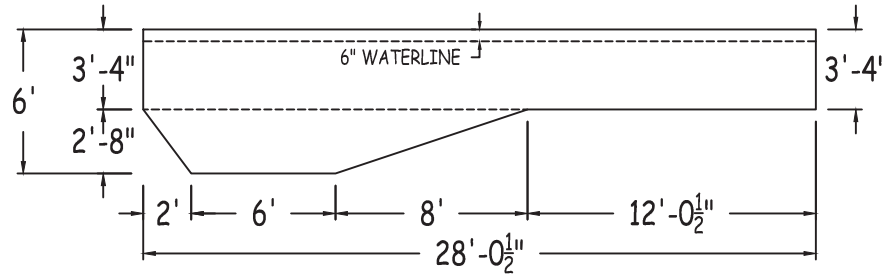
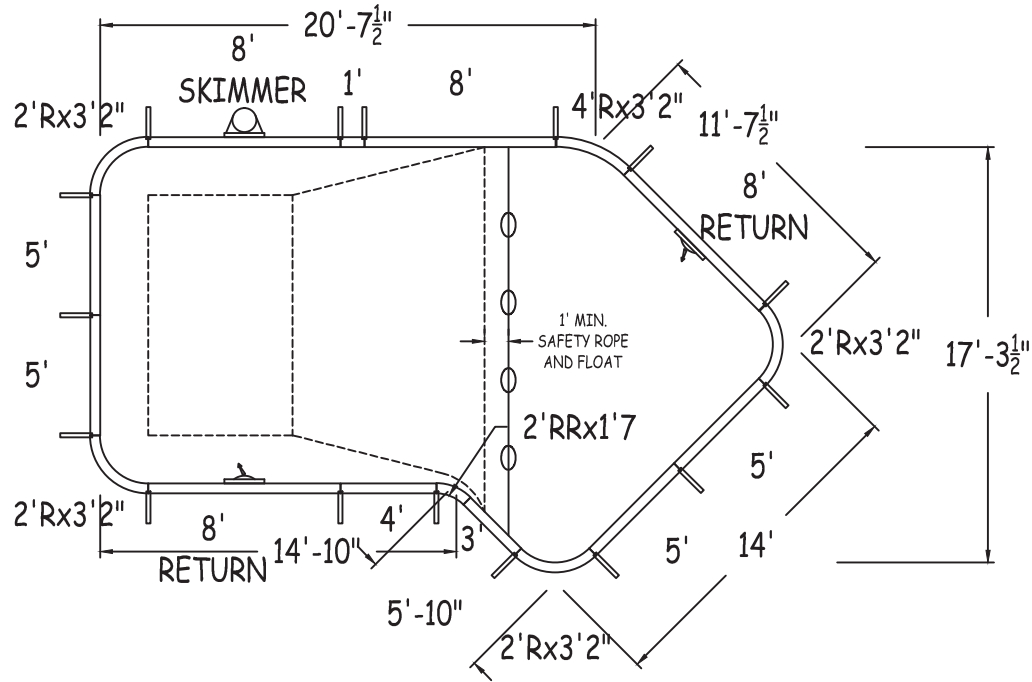
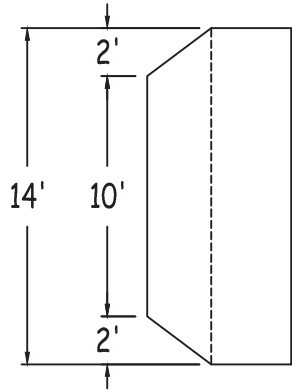


IN ACCORDANCE WITH ANSI/APSP/ICC-5 2011, THE INSTALLER IS RESPONSIBLE FOR PLACING ONE SKIMMER FOR EVERY 800 SQUARE FEET OF SURFACE AREA AND ONE RETURN FOR EVERY 300 SQUARE FEET OF SURFACE AREA.



LATHAM STEEL

LAZY-L-2FT RAD 14-0 x 17-4 x 28-1 LEFT

42" STEEL PANELS

PERIMETER: 77'-5" VOLUME (US Gal): 10200

DWG#: LSL24S1428L15

SURFACE (ft²): 367 VOLUME (Liters): 38600

KIT#: LL24S1428

LINER (ft²): 370 DATE: 1/1/2015 DSR: 69

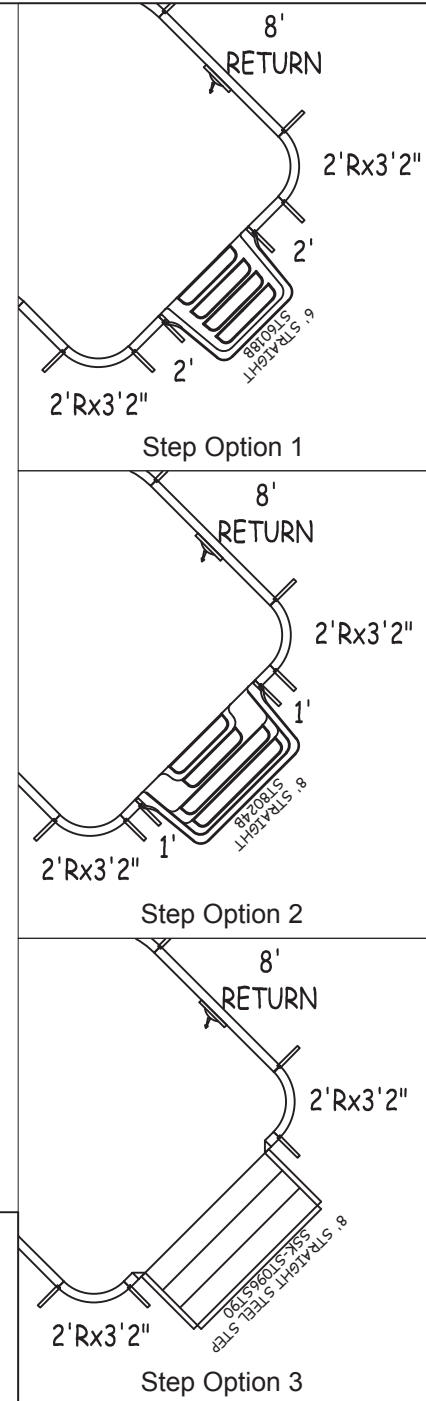
COVER (ft²): 455

SCALE: 1/8" = 1'-0"



NON-DIVING POOL

USE OF DIVING EQUIPMENT IS PROHIBITED

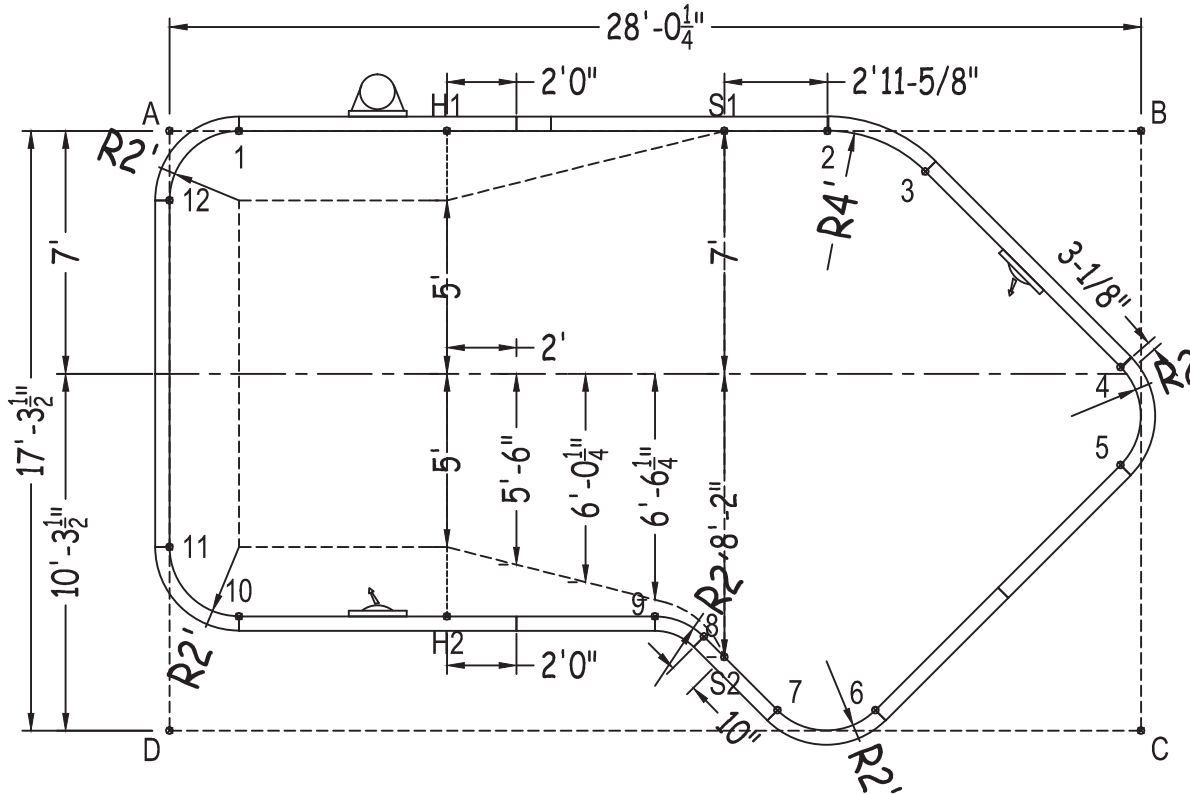


LAZY-L-2FT RAD

SHEET: 1 OF 2

Diagonals	1 To10	14'-0"	3 To6	15'-7 1/4"	5 To6	10'-0"	7 To10	15'-9 1/4"
S1ToS2	1 To11	12'-2"	3 To7	16'-1 1/4"	5 To7	12'-2"	7 To11	18'-2"
H1ToH2	1 To12	2'-10"	3 To8	14'-10 1/4"	5 To8	13'-0"	7 To12	22'-10 3/4"
S1ToH1	2 To3	3'-3/4"	3 To9	15'-1/4"	5 To9	14'-1 1/2"	8 To9	1'-6 1/4"
S2ToH2	2 To4	10'-10 1/4"	3 To10	23'-7"	5 To10	25'-9 3/4"	8 To10	13'-5"
S1ToH2	2 To5	12'-10"	3 To11	24'-4"	5 To11	27'-6 1/2"	8 To11	15'-7 1/2"
H1ToS2	2 To6	16'-9 1/4"	3 To12	21'-9 3/4"	5 To12	28'-5 3/4"	8 To12	19'-10 3/4"
1 To2	2 To7	16'-9 1/4"	4 To5	2'-10"	6 To7	2'-10"	9 To10	12'-0"
1 To3	2 To8	15'-1/4"	4 To6	12'-2"	6 To8	5'-4 1/2"	9 To11	14'-1 3/4"
1 To4	2 To9	14'-10 1/4"	4 To7	14'-0"	6 To9	6'-11"	9 To12	18'-5 1/4"
1 To5	2 To10	22'-0"	4 To8	14'-3 3/4"	6 To10	18'-6 3/4"	10To11	2'-10"
1 To6	2 To11	22'-5 1/4"	4 To9	15'-2 3/4"	6 To11	20'-10 3/4"	10To12	12'-2"
1 To7	2 To12	19'-1"	4 To10	26'-5 1/4"	6 To12	25'-1 1/2"	11To12	10'-0"
1 To8	3 To4	7'-11 3/4"	4 To11	27'-11"	7 To8	3'-0"		
1 To9	3 To5	10'-2"	4 To12	27'-10 1/4"	7 To9	4'-5 1/2"		

Part number	Description	Base	Option 1	Option 2	Option 3
		QTY	QTY	QTY	QTY
ST0960002X	8'	1	1	1	1
ST0960002*	8' SKIMMER	1	1	1	1
ST0960002*	8' RETURN	2	2	2	2
ST0600001X	5'	4	2	2	2
ST0480001X	4'	1	1	1	1
ST0360000X	3'	1	1	1	1
ST0240000X	2'	-	2	-	-
ST0120000X	1'	1	1	3	1
CN0380481X	4'Rx3'2"	1	1	1	1
CN0380241X	2'Rx3'2"	4	4	4	4
CR0190240X	2'RRx1'7"	1	1	1	1
SSC-TRST1207	12" Straight Transition	-	-	-	2
Brace	Brace	16	17	17	15
IPC-STKPK25	REBAR STAKE 18" 25PC	2	2	2	2
IPC-HDWSTR150	BOLT STR 3/8-16X1" C/W NUT 150PC	2	2	2	2
ST6018B	THKSHT STEP STR 6'	-	1	-	-
ST8024B	THKSHT STEP STR SIT N STEP 8'	-	-	1	-
SSK-ST096ST90	STEEL STEP STR-90D 3 TRD 8'	-	-	-	1



	A	B	C	D
1	2'-0"	26'-1/4"	31'-3"	17'-5"
2	18'-11 3/4"	9'-1/2"	19'-6 1/4"	25'-8"
3	21'-10"	6'-4"	17'-3 1/4"	27'-1 1/4"
4	28'-3 1/4"	6'-10"	10'-6"	29'-4 1/2"
5	29'-1"	9'-7 3/4"	7'-8 1/4"	28'-5 3/4"
6	26'-4"	18'-4 1/2"	7'-8 1/4"	20'-4 1/2"
7	24'-2 3/4"	19'-8 3/4"	10'-6"	17'-6 1/2"
8	21'-2 3/4"	19'-3 1/4"	12'-10 3/4"	15'-7 3/4"
9	19'-9 1/2"	19'-9 3/4"	14'-4 3/4"	14'-4 1/2"
10	14'-1 3/4"	29'-6 1/2"	26'-2 3/4"	3'-10 1/4"
11	12'-0"	30'-5 3/4"	28'-6 1/4"	5'-3 1/2"
12	2'-0"	28'-1"	31'-11"	15'-3 1/2"
S2	22'-1/2"	19'-4 1/4"	12'-2 1/2"	16'-1 3/4"
S1	16'-0"	12'-1/4"	21'-3/4"	23'-6 3/4"
H2	16'-1 1/2"	24'-5 1/4"	20'-3 1/2"	8'-7 3/4"
H1	8'-0"	20'-1/4"	26'-5 1/2"	19'-3/4"
A	-	28'-1/4"	32'-11 1/4"	17'-3 1/2"

LAZY-L-2FT RAD 14-0 X 17-4 X 28-1 LEFT

DWG #: LSL24S1428L15

DATE: 1/1/2015

SHEET: 2 OF 2