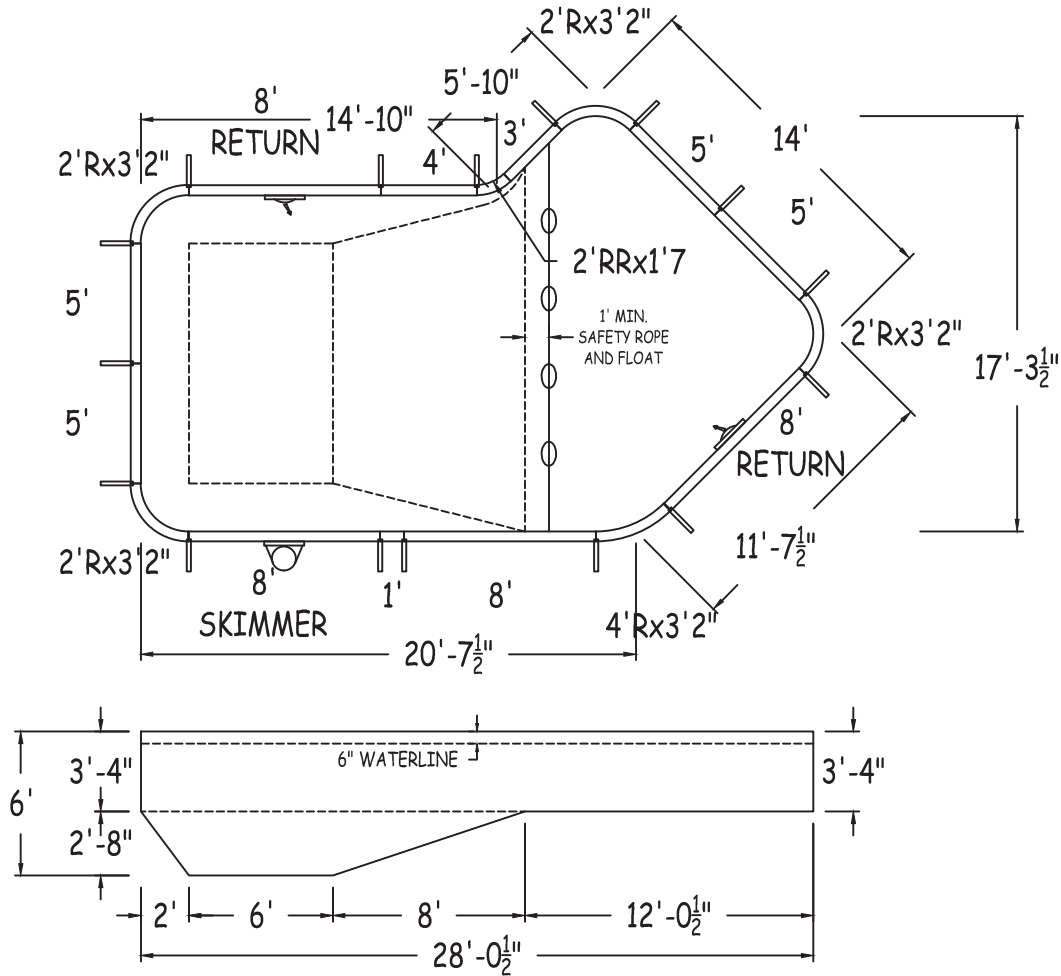
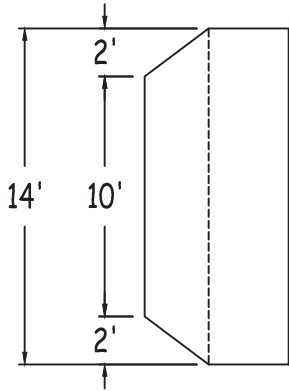


IN ACCORDANCE WITH ANSI/APSP/ICC-5 2011, THE INSTALLER IS RESPONSIBLE FOR PLACING ONE SKIMMER FOR EVERY 800 SQUARE FEET OF SURFACE AREA AND ONE RETURN FOR EVERY 300 SQUARE FEET OF SURFACE AREA.



**LATHAM STEEL**

LAZY-L-2FT RAD 14-0 x 17-4 x 28-1 RIGHT

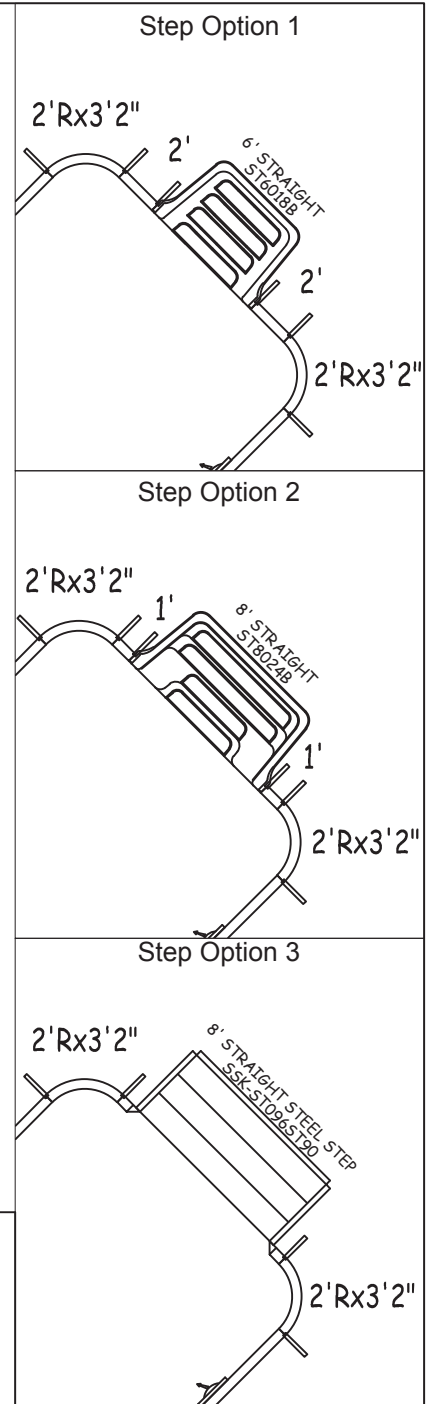
42" STEEL PANELS	PERIMETER:	77'-5"	VOLUME (US Gal):	10200
DWG#:	SURFACE (ft²):	367	VOLUME (Liters):	38600
LSSL24S1428R15	LINER (ft²):	370	DATE:	1/1/2015
KIT#:	COVER (ft²):	455	DSR:	138
LL24S1428			SCALE:	1/8" = 1'-0"



**NON-DIVING POOL**

USE OF DIVING EQUIPMENT IS PROHIBITED

MEETS DEPTH AND SHAPE MINIMUM STANDARD ANSI/APSP/ICC-5 2011

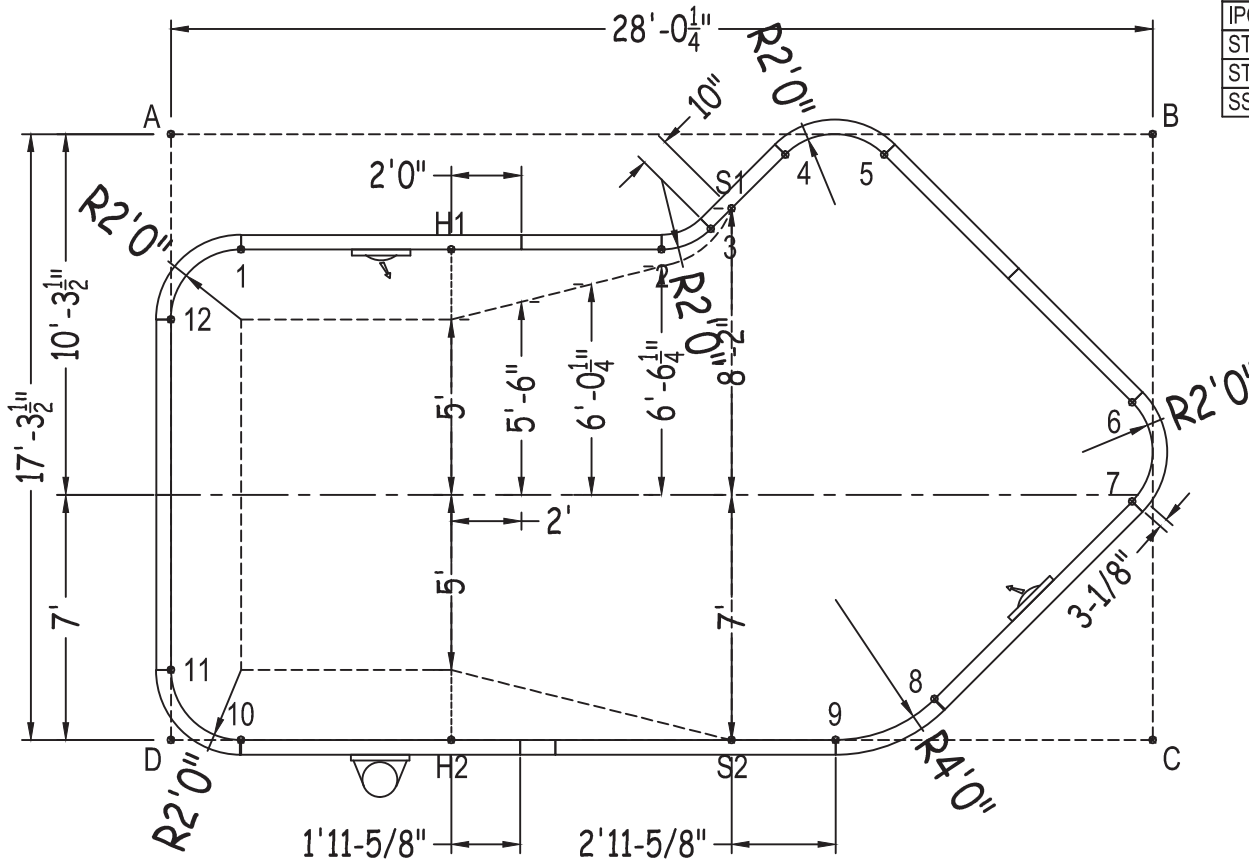


**LAZY-L-2FT RAD**

SHEET: 1 OF 2

Diagonals	2 To 6	14'-1 1/2"	3 To 12	15'-7 1/2"	5 To 12	20'-10 3/4"	8 To 12	24'-4"
1 To 2	2 To 7	15'-2 3/4"	4 To 5	2'-10"	6 To 7	2'-10"	9 To 10	16'-11 3/4"
1 To 3	2 To 8	15'-1 1/4"	4 To 6	12'-2"	6 To 8	10'-2"	9 To 11	19'-1"
1 To 4	2 To 9	14'-10 1/4"	4 To 7	14'-0"	6 To 9	12'-10"	9 To 12	22'-5 1/4"
1 To 5	2 To 10	18'-5 1/4"	4 To 8	16'-1 1/4"	6 To 10	27'-2 1/2"	10 To 11	2'-10"
1 To 6	2 To 11	18'-5 1/4"	4 To 9	16'-9 1/4"	6 To 11	28'-5 3/4"	10 To 12	12'-2"
1 To 7	2 To 12	14'-1 3/4"	4 To 10	22'-9 3/4"	6 To 12	27'-6 1/2"	11 To 12	10'-0"
1 To 8	3 To 4	3'-0"	4 To 11	22'-10 3/4"	7 To 8	7'-11 3/4"		
1 To 9	3 To 5	5'-4 1/2"	4 To 12	18'-2"	7 To 9	10'-10 1/4"		
1 To 10	3 To 6	13'-0"	5 To 6	10'-0"	7 To 10	26'-4"		
1 To 11	3 To 7	14'-3 3/4"	5 To 7	12'-2"	7 To 11	27'-10 1/4"		
1 To 12	3 To 8	14'-10 1/4"	5 To 8	15'-7 1/4"	7 To 12	27'-11"		
2 To 3	3 To 9	15'-1 1/4"	5 To 9	16'-9 1/4"	8 To 9	3'-3/4"		
2 To 4	3 To 10	19'-9 3/4"	5 To 10	24'-10"	8 To 10	19'-10"		
2 To 5	3 To 11	19'-10 3/4"	5 To 11	25'-1 1/2"	8 To 11	21'-9 3/4"		

Part number	Description	Base	Option 1	Option 2	Option 3
		QTY	QTY	QTY	QTY
ST0960002X	8'	1	1	1	1
ST0960002*	8' SKIMMER		1	1	1
ST0960002*	8' RETURN		2	2	2
ST0600001X	5'		4	2	2
ST0480001X	4'		1	1	1
ST0360000X	3'		1	1	1
ST0240000X	2'		-	2	-
ST0120000X	1'		1	1	3
CN0380481X	4'Rx3'2"		1	1	1
CN0380241X	2'Rx3'2"		4	4	4
CR0190240X	2'RRx1'7"		1	1	1
SSC-TRST1207	12" Straight Transition		-	-	-
Brace	Brace		16	17	17
IPC-STKPK25	REBAR STAKE 18" 25PC		2	2	2
IPC-HDWSTRT150	BOLT STR 3/8-16X1" C/W NUT 150PC		2	2	2
ST6018B	THKSHT STEP STR 6'		-	1	-
ST8024B	THKSHT STEP STR SIT N STEP 8'		-	-	1
SSK-ST096ST90	STEEL STEP STR-90D 3 TRD 8'		-	-	-



	A	B	C	D
1	3'-10 1/4"	26'-2 3/4"	29'-6 1/2"	14'-1 3/4"
2	14'-4 1/2"	14'-4 3/4"	19'-9 3/4"	19'-9 1/2"
3	15'-7 3/4"	12'-10 3/4"	19'-3 1/4"	21'-2 3/4"
4	17'-6 1/2"	10'-6"	19'-8 3/4"	24'-2 3/4"
5	20'-4 1/2"	7'-8 1/4"	18'-4 1/2"	26'-4"
6	28'-5 3/4"	7'-8 1/4"	9'-7 3/4"	29'-1"
7	29'-4 1/2"	10'-6"	6'-10"	28'-3 1/4"
8	27'-1 1/4"	17'-3 1/4"	6'-4"	21'-10"
9	25'-8"	19'-6 1/4"	9'-1 1/2"	18'-11 3/4"
10	17'-5"	31'-3"	26'-1 1/4"	2'-0"
11	15'-3 1/2"	31'-11"	28'-1"	2'-0"
12	5'-3 1/2"	28'-6 1/4"	30'-5 3/4"	12'-0"
S2	23'-6 3/4"	21'-3/4"	12'-1/4"	16'-0"
S1	16'-1 3/4"	12'-2 1/2"	19'-4 1/4"	22'-1 1/2"
H2	19'-3/4"	26'-5 1/2"	20'-1/4"	8'-0"
H1	8'-7 3/4"	20'-3 1/2"	24'-5 1/4"	16'-1 1/2"
A	-	28'-1/4"	32'-11 1/4"	17'-3 1/2"

LAZY-L-2FT RAD 14-0 X 17-4 X 28-1 RIGHT

DWG #: LSL24S1428R15

DATE: 12/16/2014

SHEET: 2 OF 2