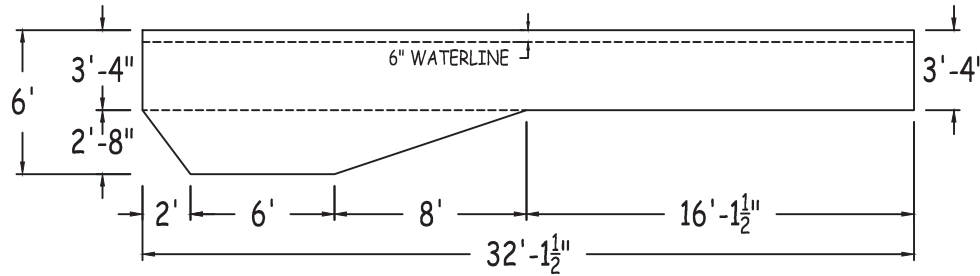
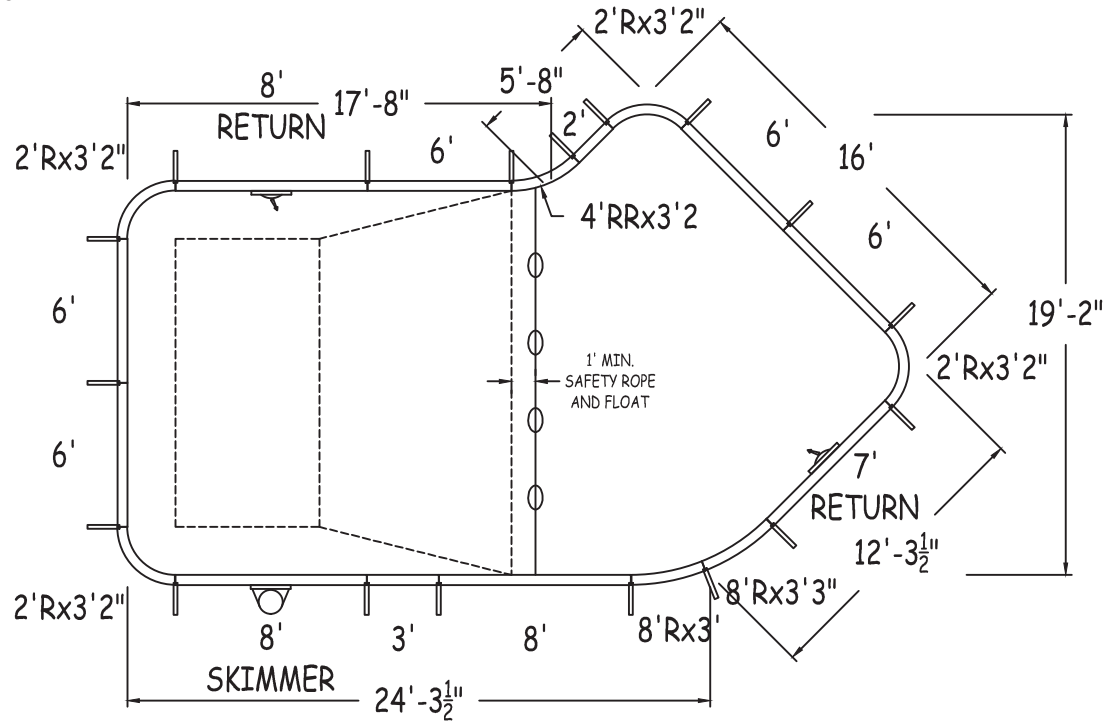
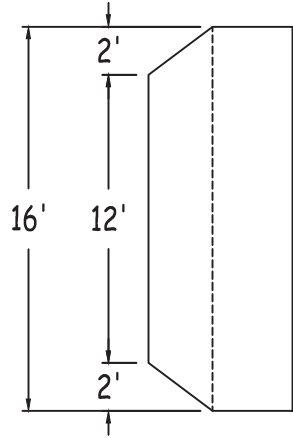


IN ACCORDANCE WITH ANSI/APSP/ICC-5 2011, THE INSTALLER IS RESPONSIBLE FOR PLACING ONE SKIMMER FOR EVERY 800 SQUARE FEET OF SURFACE AREA AND ONE RETURN FOR EVERY 300 SQUARE FEET OF SURFACE AREA.



**LATHAM STEEL**

**LAZY-L-2FT RAD 16-0 x 19-2 x 32-2 RIGHT**

42" STEEL PANELS

PERIMETER: 88'-1" VOLUME (US Gal): 13200

DWG#: LSL24S1632R15

SURFACE (ft²): 475 VOLUME (Liters): 50000

KIT#: LL24S1632

LINER (ft²): 479 DATE: 1/1/2015 DSR: 69

COVER (ft²): 575

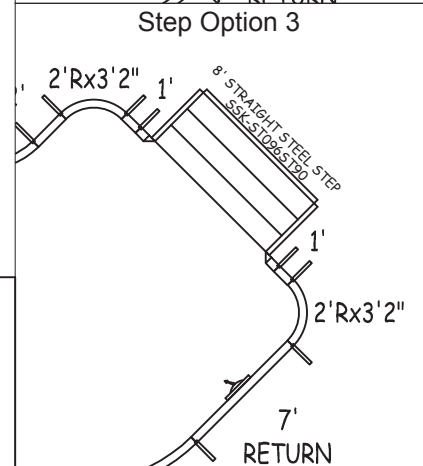
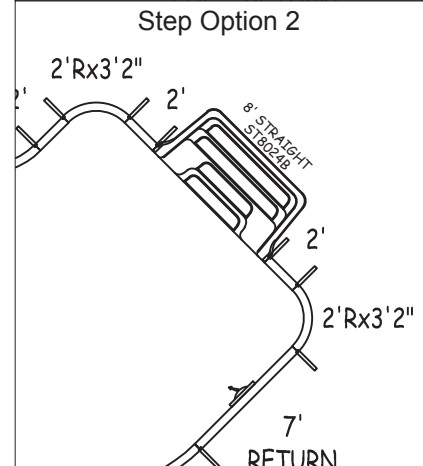
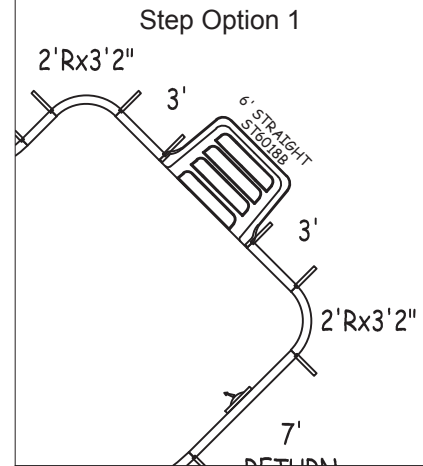
SCALE: 1/8" = 1'-0"



**NON-DIVING POOL**

USE OF DIVING EQUIPMENT IS PROHIBITED

MEETS DEPTH AND SHAPE MINIMUM STANDARD ANSI/APSP/ICC-5 2011

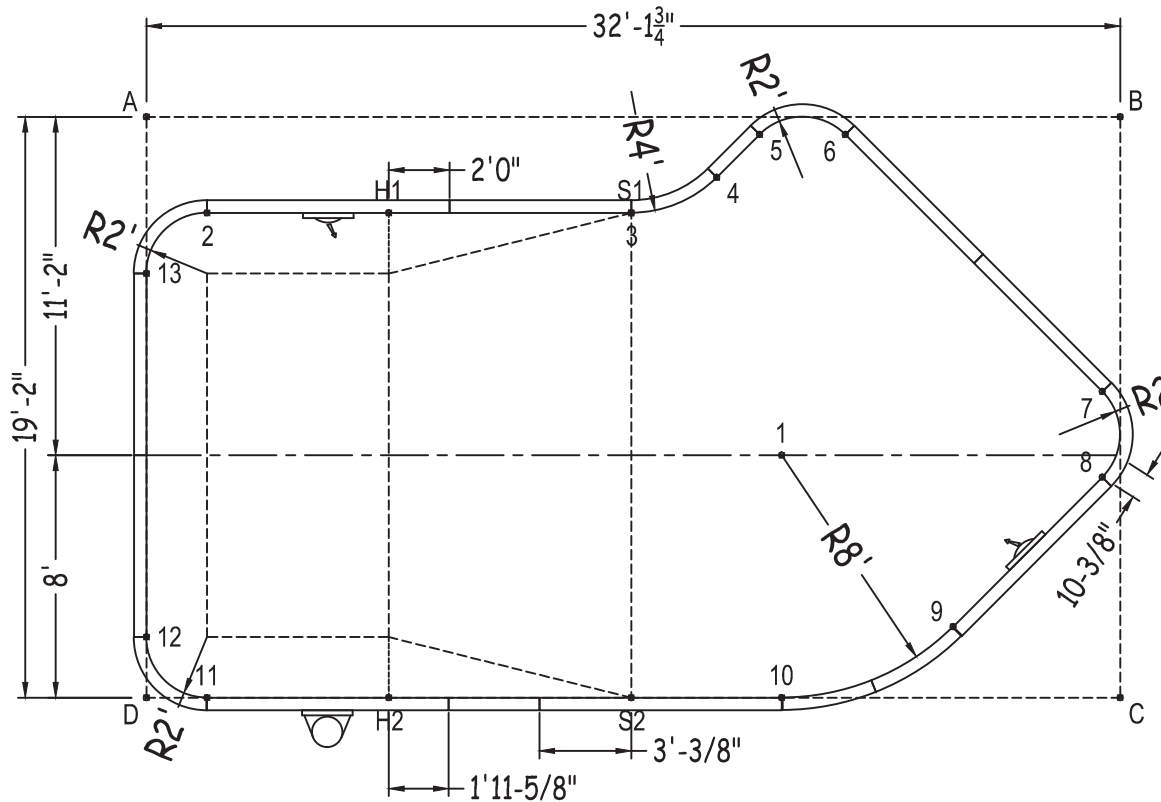


**LAZY-L-2FT RAD**

SHEET: 1 OF 2

Diagonals	3 To 7	16'-7 3/4"	4 To 13	19'-1"	6 To 13	23'-6 1/4"	9 To 13	29'- 3/4"
2 To 3	3 To 8	17'-10"	5 To 6	2'-10"	7 To 8	2'-10"	10 To 11	18'-11 3/4"
2 To 4	3 To 9	17'-3 3/4"	5 To 7	14'-1 3/4"	7 To 9	9'-2 1/4"	10 To 12	21'- 3/4"
2 To 5	3 To 10	16'-9"	5 To 8	16'-0"	7 To 10	14'-7 1/2"	10 To 13	25'-2 1/2"
2 To 6	3 To 11	21'-3"	5 To 9	17'-5 1/2"	7 To 11	31'-2 3/4"	11 To 12	2'-10"
2 To 7	3 To 12	21'-3"	5 To 10	18'-7 1/4"	7 To 12	32'-7"	11 To 13	14'-1 3/4"
2 To 8	3 To 13	16'-1 1/2"	5 To 11	26'- 1/2"	7 To 13	31'-9 1/2"	12 To 13	12'-0"
2 To 9	4 To 5	2'-0"	5 To 12	26'-2"	8 To 9	6'-11 3/4"		
2 To 10	4 To 6	4'-5 3/4"	5 To 13	20'-9"	8 To 10	12'-10"		
2 To 11	4 To 7	14'-6 3/4"	6 To 7	12'-0"	8 To 11	30'-5 1/4"		
2 To 12	4 To 8	16'-1 1/2"	6 To 8	14'-1 3/4"	8 To 12	32'-0"		
2 To 13	4 To 9	16'-9"	6 To 9	16'-7 1/2"	8 To 13	32'-3 1/4"		
3 To 4	4 To 10	17'-3 3/4"	6 To 10	18'-8 1/2"	9 To 10	6'-1 1/2"		
3 To 5	4 To 11	24'- 1/2"	6 To 11	28'-1 1/4"	9 To 11	24'-8 3/4"		
3 To 6	4 To 12	24'-2 1/4"	6 To 12	28'-5"	9 To 12	26'-7 1/2"		

Part number	Description	Base	Option 1	Option 2	Option 3
		QTY	QTY	QTY	QTY
ST0960002X	8'	1	1	1	1
ST0960002*	8' SKIMMER	1	1	1	1
ST0960002*	8' RETURN	1	1	1	1
ST0840002*	7' RETURN	1	1	1	1
ST0720001X	6'	5	3	3	3
ST0360000X	3'	1	3	1	1
ST0240000X	2'	1	1	3	1
ST0120000X	1'	-	-	-	2
RA0390960X	8Rx33"	1	1	1	1
RA0360960X	8Rx3'	1	1	1	1
CN0380241X	2Rx3'2"	4	4	4	4
CR0380480X	4RRx3'2	1	1	1	1
SSC-TRST1207	12" Straight Transition	-	-	-	2
Brace	Brace	18	19	19	19
IPC-STKPK25	REBAR STAKE 18" 25PC	2	2	2	2
IPC-HDWSTRT150	BOLT STR 3/8-16X1" C/W NUT 150PC	2	2	2	2
ST6018B	THKSHT STEP STR 6'	-	1	-	-
ST8024B	THKSHT STEP STR SIT N STEP 8'	-	-	1	-
SSK-ST096ST90	STEEL STEP STR-90D 3 TRD 8'	-	-	-	1



	A	B	C	D
1	23'-9 1/4"	15'-9 1/2"	13'-9"	22'-5 1/4"
2	3'-9"	30'-3 3/4"	34'-1 1/2"	16'-1 1/2"
3	16'-3 3/4"	16'-5 1/2"	22'-8 3/4"	22'-7 1/2"
4	18'-11 1/4"	13'-5 1/2"	21'-8 3/4"	25'-5 3/4"
5	20'-3"	11'-11"	22'- 3/4"	27'-5 3/4"
6	23'-1"	9'-1"	20'-8 1/4"	29'-7 1/2"
7	32'-10"	9'-1"	10'-1 1/2"	33'-1 1/2"
8	33'-8 3/4"	11'-11"	7'-3 1/2"	32'-4 1/2"
9	31'-6"	17'-8 1/2"	6'-0"	26'-8 3/4"
10	28'-5"	22'-2 1/4"	11'-2"	20'-11 3/4"
11	19'-3 1/4"	35'-8 3/4"	30'-1 3/4"	2'-0"
12	17'-2"	36'-5 1/4"	32'-2 1/2"	2'-0"
13	5'-2"	32'-6 3/4"	35'- 3/4"	14'-0"
S2	24'-11 3/4"	25'- 3/4"	16'-1 3/4"	16'-0"
S1	16'-3 3/4"	16'-5 1/2"	22'-8 3/4"	22'-7 1/2"
H2	20'-9 1/4"	30'-10"	24'-1 3/4"	8'-0"
H1	8'-7 1/4"	24'-4 1/4"	28'-11 1/2"	17'-10 3/4"
A	-	32'-1 3/4"	37'-5"	19'-2"

LAZY-L-2FT RAD 16-0 X 19-2 X 32-2 RIGHT

DWG #: LSL24S1632R15

DATE: 1/1/2015

SHEET: 2 OF 2