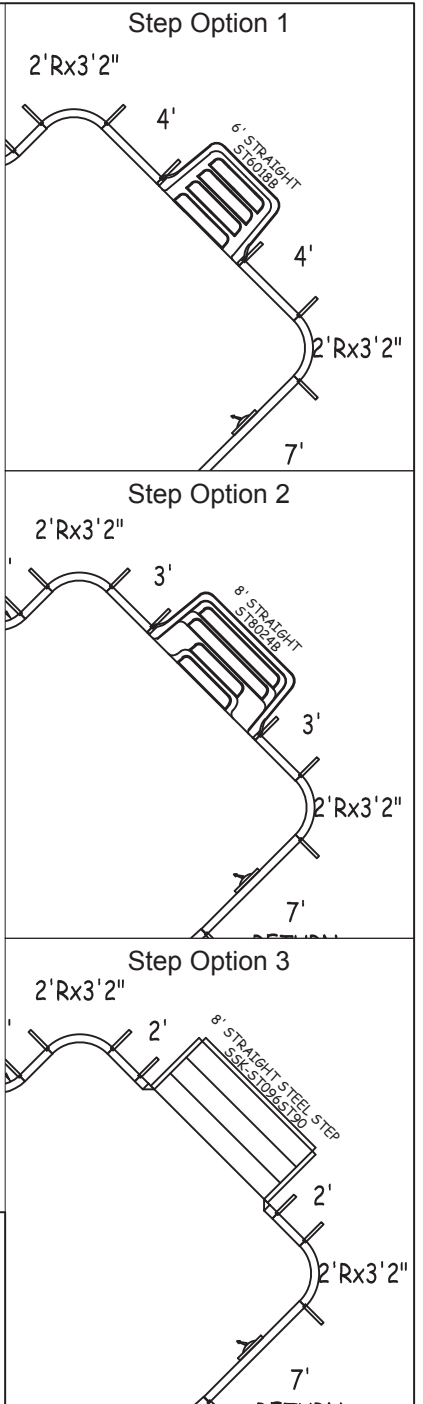
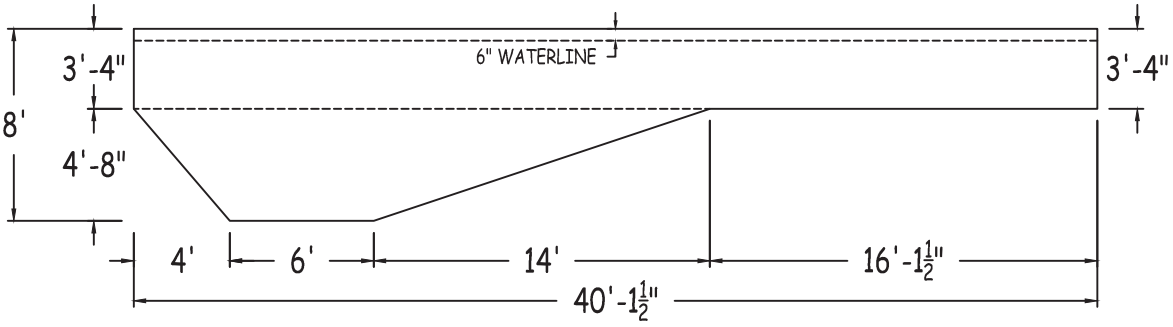
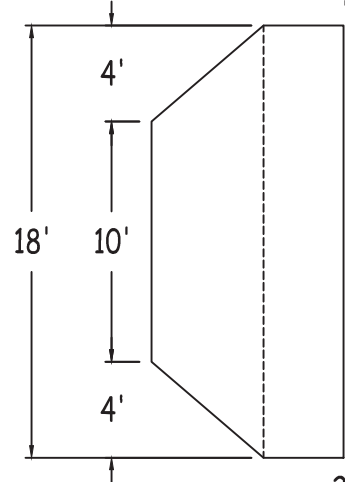
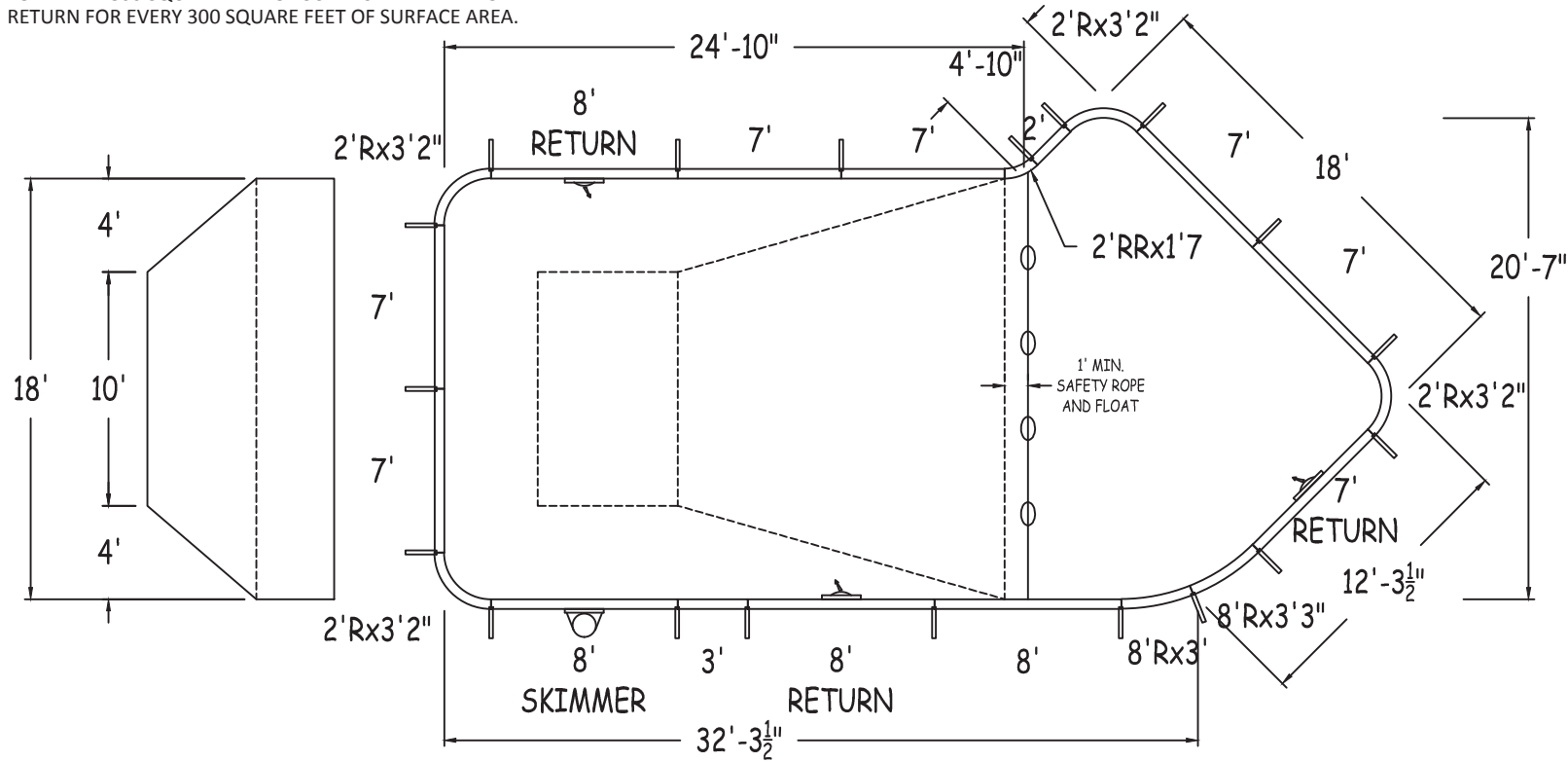


IN ACCORDANCE WITH ANSI/APSP/ICC-5 2011, THE INSTALLER IS RESPONSIBLE FOR PLACING ONE SKIMMER FOR EVERY 800 SQUARE FEET OF SURFACE AREA AND ONE RETURN FOR EVERY 300 SQUARE FEET OF SURFACE AREA.



LATHAM STEEL

LAZY-L-2FT RAD 18-0 x 20-7 x 40-2 RIGHT

42" STEEL PANELS	PERIMETER:	106'-6"	VOLUME (US Gal):	21800
DWG#:	SURFACE (ft²):	663	VOLUME (Liters):	82500
LSSL24S1840R15	LINER (ft²):	668	DATE:	1/1/2015
KIT#:	COVER (ft²):	782	DSR:	69
LL24S1840		SCALE:	1/8" = 1'-0"	



DIVING/SLIDING EQUIPMENT SHALL BE DESIGNED FOR SWIMMING POOLS AND SHALL BE INSTALLED IN ACCORDANCE WITH THE DIVING/SLIDING EQUIPMENT MANUFACTURER'S SPECIFICATIONS. PLEASE CONTACT THE DIVING/SLIDING EQUIPMENT MANUFACTURER FOR THEIR SPECIFICATIONS.

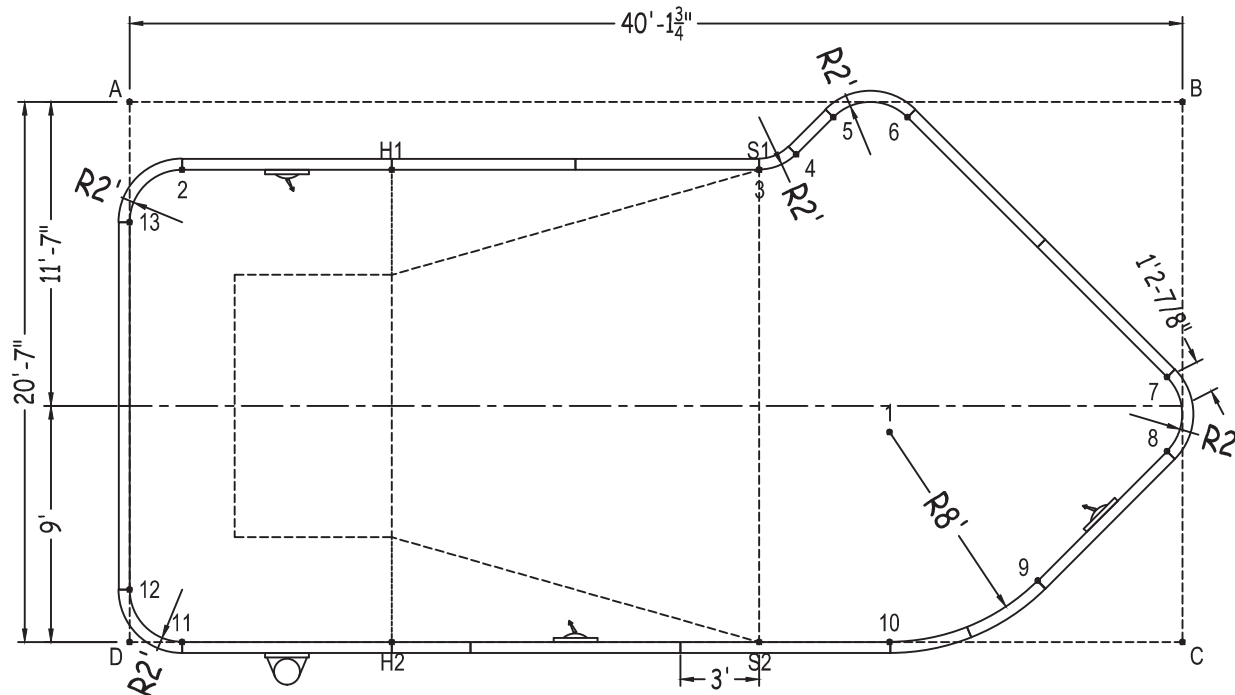
MEETS DEPTH AND SHAPE MINIMUM STANDARD ANSI/APSP/ICC-5 2011

LAZY-L-2FT RAD

SHEET: 1 OF 2

Diagonals	3 To 7	17'-5 1/4"	4 To 13	25'-6 1/2"	6 To 13	29'-11"	9 To 13	37'-2 3/4"
2 To 3	3 To 8	18'-10 3/4"	5 To 6	2'-10"	7 To 8	2'-10"	10 To 11	26'-11 3/4"
2 To 4	3 To 9	18'-11"	5 To 7	16'-1 1/2"	7 To 9	9'-2 1/4"	10 To 12	29'- 1/2"
2 To 5	3 To 10	18'-8"	5 To 8	18'-0"	7 To 10	14'-7 1/2"	10 To 13	33'-1 1/4"
2 To 6	3 To 11	28'-5"	5 To 9	19'-3 3/4"	7 To 11	38'-10 3/4"	11 To 12	2'-10"
2 To 7	3 To 12	28'-10 1/4"	5 To 10	20'-1 1/4"	7 To 12	40'-4 1/2"	11 To 13	16'-1 1/2"
2 To 8	3 To 13	24'-1"	5 To 11	31'-10 1/2"	7 To 13	40'-0"	12 To 13	14'-0"
2 To 9	4 To 5	2'-0"	5 To 12	32'-3 3/4"	8 To 9	6'-11 3/4"		
2 To 10	4 To 6	4'-5 3/4"	5 To 13	27'-1 1/2"	8 To 10	12'-10"		
2 To 11	4 To 7	16'-6"	6 To 7	14'-0"	8 To 11	38'-3"		
2 To 12	4 To 8	18'-1 1/4"	6 To 8	16'-1 1/2"	8 To 12	39'-10 3/4"		
2 To 13	4 To 9	18'-8"	6 To 9	18'-4"	8 To 13	40'-6"		
3 To 4	4 To 10	18'-11"	6 To 10	20'- 1/4"	9 To 10	6'-1 1/2"		
3 To 5	4 To 11	29'-10 3/4"	6 To 11	34'-1 1/2"	9 To 11	32'-8 1/2"		
3 To 6	4 To 12	30'-4 1/4"	6 To 12	34'-8 1/4"	9 To 12	34'-7 1/2"		

Part number	Description	Base	Option 1	Option 2	Option 3
		QTY	QTY	QTY	QTY
ST0960002X	8'	1	2	2	2
ST0960002*	8' SKIMMER	1	1	1	1
ST0960002*	8' RETURN	2	2	2	2
ST0840002X	7'	6	2	2	2
ST0840002*	7' RETURN	1	1	1	1
ST0720001X	6'	-	1	1	1
ST0480001X	4'	-	2	-	-
ST0360000X	3'	1	1	3	1
ST0240000X	2'	1	1	1	3
RA0390960X	8Rx3'3"	1	1	1	1
RA0360960X	8Rx3'	1	1	1	1
CN0380241X	2Rx3'2"	4	4	4	4
CR0190240X	2RRx1'7"	1	1	1	1
SSC-TRST1207	12" Straight Transition	-	-	-	2
Brace	Brace	19	20	20	20
IPC-STKPK25	REBAR STAKE 18" 25PC	2	2	2	2
IPC-HDWSTRT150	BOLT STR 3/8-16X1" C/W NUT 150PC	2	2	2	2
ST6018B	THKSH T STEP STR 6'	-	1	-	-
ST8024B	THKSH T STEP STR SIT N STEP 8'	-	-	1	-
SSK-ST096ST90	STEEL STEP STR-90D 3 TRD 8'	-	-	-	1



	A	B	C	D
1	31'-7"	16'-10"	13'-9"	30'- 3/4"
2	3'-3 1/4"	38'-2 3/4"	42'-2"	18'-1 1/4"
3	24'-1 3/4"	16'-4 1/4"	24'-2 1/4"	30'-0"
4	25'-6"	14'-10 1/4"	23'-8 1/2"	31'-5 3/4"
5	26'-10"	13'-4"	24'- 1/4"	33'-5 1/2"
6	29'-8"	10'-6"	22'-7"	35'-9 1/4"
7	40'-11"	10'-6"	10'-1 1/2"	40'-10"
8	41'-8 3/4"	13'-4"	7'-3 1/2"	40'-2 3/4"
9	39'-1 3/4"	19'- 3/4"	6'-0"	34'-8 1/2"
10	35'-6 1/2"	23'-5"	11'-2"	28'-11 3/4"
11	20'-8 1/4"	43'-4"	38'-1 3/4"	2'-0"
12	18'-7"	44'-2 3/4"	40'-2 1/4"	2'-0"
13	4'-7"	40'-4 3/4"	43'-2 1/2"	16'-0"
S2	31'-7 1/2"	26'-2"	16'-1 3/4"	24'-0"
S1	24'-1 3/4"	16'-4 1/4"	24'-2 1/4"	30'-0"
H2	22'-10 3/4"	36'-6"	30'-1 3/4"	10'-0"
H1	10'-4"	30'-3"	35'-1 1/4"	20'-7"
A	-	40'-1 3/4"	45'-1 1/4"	20'-7"

LAZY-L-2FT RAD 18-0 X 20-7 X 40-2 RIGHT

DWG #: LSL24S1840R15

DATE: 1/1/2015

SHEET: 2 OF 2