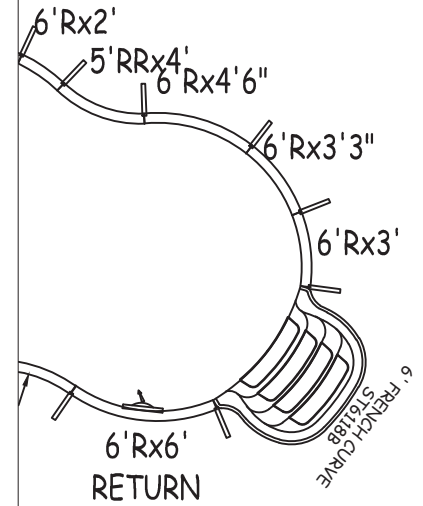
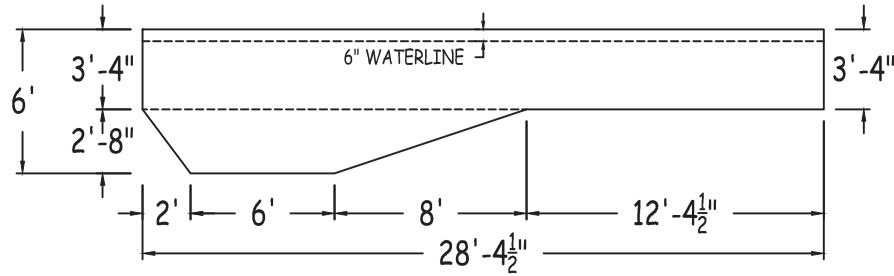
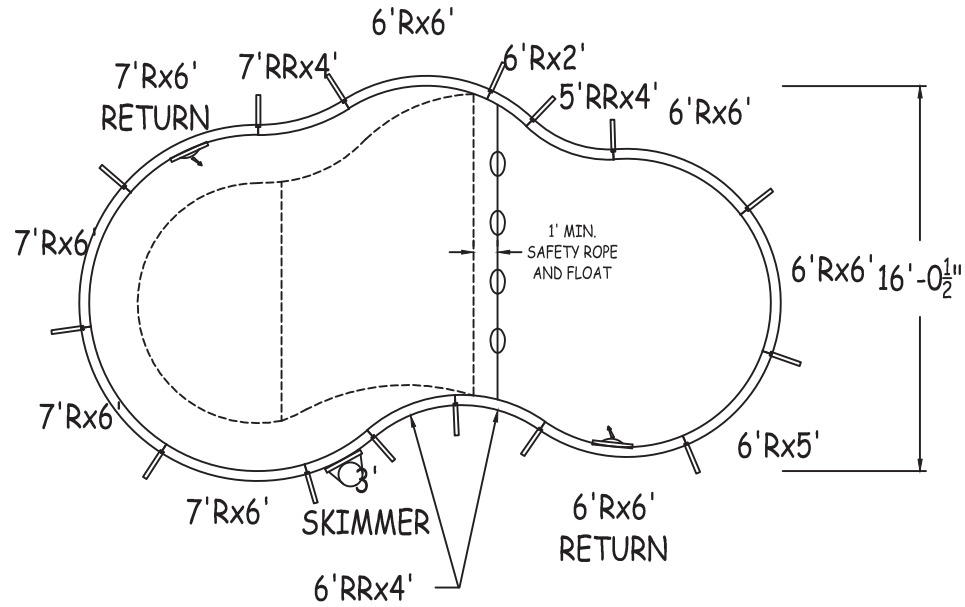
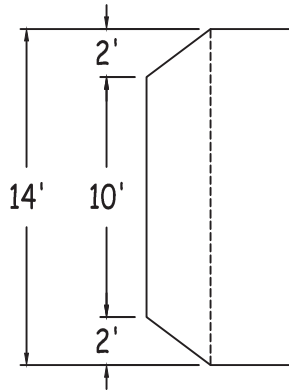
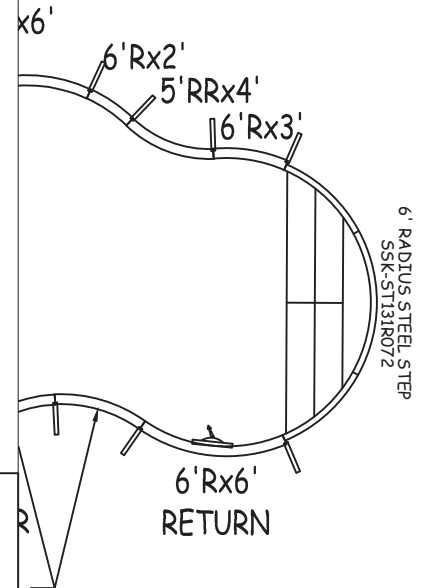


IN ACCORDANCE WITH ANSI/APSP/ICC-5 2011, THE INSTALLER IS RESPONSIBLE FOR PLACING ONE SKIMMER FOR EVERY 800 SQUARE FEET OF SURFACE AREA AND ONE RETURN FOR EVERY 300 SQUARE FEET OF SURFACE AREA.



Step Option 1



Step Option 2



LATHAM STEEL

MOUNTAIN LAKE 14-0 x 16-1 x 28-5 LEFT

42" STEEL PANELS

PERIMETER: 74'-0" VOLUME (US Gal): 9200

DWG#: LSML00S1428L15

SURFACE (ft²): 332 VOLUME (Liters): 34800

LINER (ft²): 397

DATE: 1/1/2015 DSR: 87

KIT#: ML00S1428

COVER (ft²): 597 SCALE: 1/8" = 1'-0"



NON-DIVING POOL

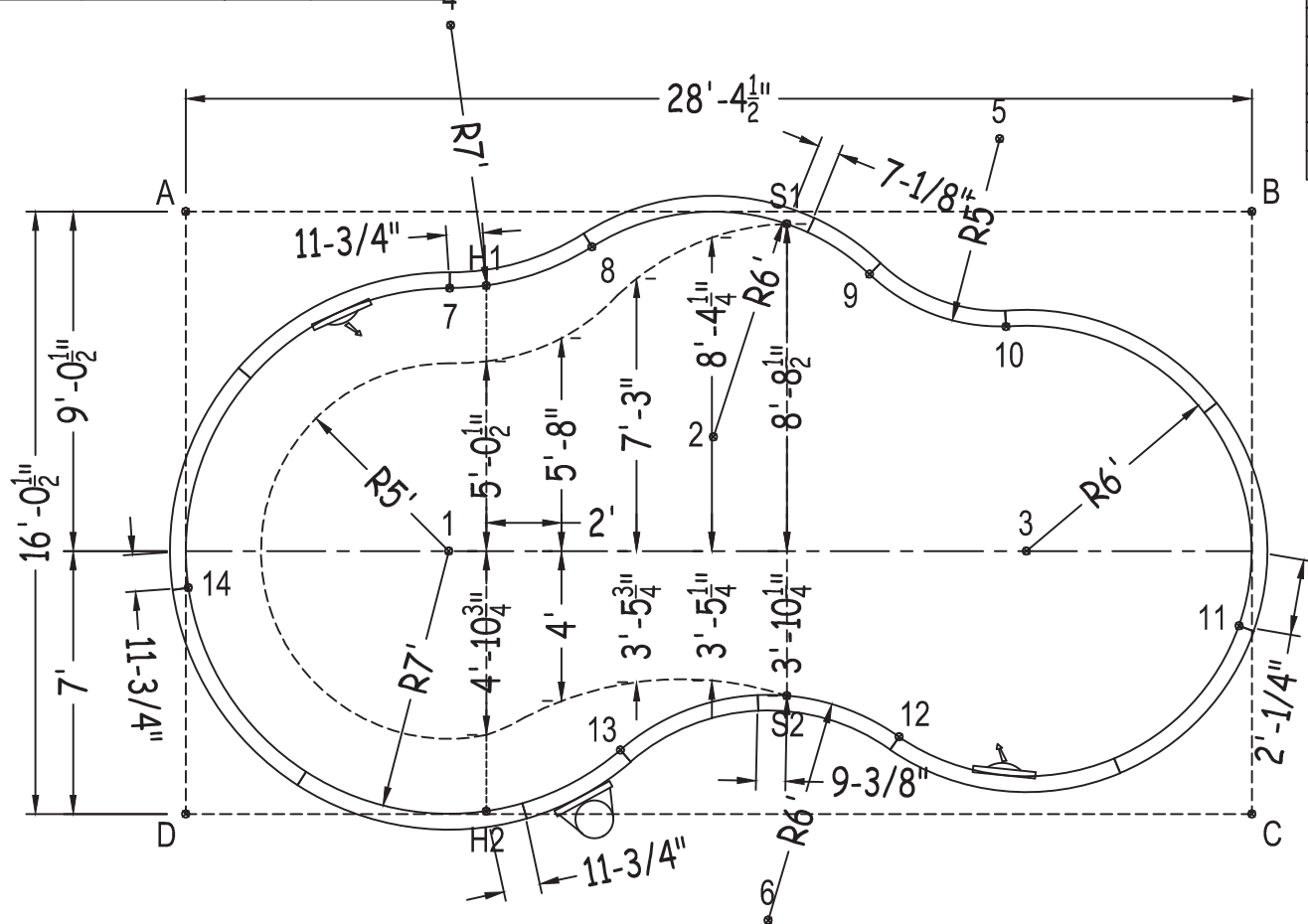
USE OF DIVING EQUIPMENT IS PROHIBITED

MOUNTAIN LAKE

SHEET: 1 OF 3

Center To Center	H1toH2	14'-0"	9 to10	3'-10 3/4"
1 to 2	S1toH1	8'-2"	9 to 11	13'-7"
1 to 3	S2toH2	8'-6 3/4"	9 to 12	12'-4"
1 to 4	S1toH2	17'-6 3/4"	9 to 13	14'-3 1/2"
1 to 5	H1toS2	13'-6 1/2"	9 to 14	19'-11 1/2"
1 to 6	7 to 8	3'-11 1/4"	10to11	10'-1 1/4"
2 to 3	7 to 9	11'-2 1/4"	10to12	11'-3 1/2"
2 to 4	7 to 10	14'-10 1/4"	10to13	15'-3"
2 to 5	7 to 11	22'-10 1/4"	10to14	22'-10 1/4"
2 to 6	7 to 12	16'-11"	11to12	9'-6 1/4"
3 to 4	7 to 13	13'-1 1/4"	11 to 13	16'-9 1/2"
3 to 5	7 to 14	10'-7"	11to14	27'-11 3/4"
3 to 6	8 to 9	7'-5"	12to13	7'-5"
4 to 5	8 to 10	11'-2 3/4"	12to14	19'-4"
4 to 6	8 to 11	19'-11 1/2"	13to14	12'-3 1/2"
5 to 6	8 to 12	15'-4 3/4"		
Diagonals	8 to 13	13'-5"		
S1toS2	8 to 14	14'- 3/4"		

Part number	Description	Quantity		
		Base	Option 1	Option 2
RA0720841X	7'Rx6'	3	3	3
RA0720841*	7'Rx6' RETURN	1	1	1
RA036SK10*	3' SKIMMER	1	1	1
RA0720721*	6'Rx6' RETURN	1	1	1
RA0720721X	6'Rx6'	3	1	1
RA0600721X	6'Rx5'	1	-	-
RA0540721X	6'Rx4'6"	-	1	-
RA0390720X	6'Rx3'3"	-	1	-
RA0360720X	6'Rx3'	-	1	1
RA0240720X	6'Rx2'	1	1	1
RR0480841X	7'RRx4'	1	1	1
RR0480721X	6'RRx4'	2	2	2
RR0480601X	5'RRx4'	1	1	1
Brace	Brace	15	16	14
IPC-STKPK25	REBAR STAKE 18" 25PC	2	2	2
IPC-HDWSTRT150	BOLT STR 3/8-16X1" C/W NUT 150PC	2	2	2
ST6118B	THKSHT STEP FRENCH CURVE 6'	-	1	-
SSK-ST131R072	STEEL STEP RAD 3 TRD 10'11"X6'RA	-	-	1



	A	B	C	D
1	11'-5 1/4"	23'-2 1/2"	22'-6"	9'-10 3/4"
2	15'-3 1/4"	15'-6 1/2"	17'-6"	17'-3 1/4"
3	24'-1 3/4"	10'-10 1/4"	9'-2 3/4"	23'-5 1/2"
4	8'-7 1/2"	21'-10 3/4"	29'-11 1/4"	22'-1 3/4"
5	21'-9"	6'-11 3/4"	19'-2 1/4"	28'-1 3/4"
6	24'-5"	22'-10 1/4"	13'-2 1/4"	15'-9"
7	7'-3 3/4"	21'-5 1/2"	25'-6 1/2"	15'-8"
8	10'-10 1/4"	17'-7"	23'-2"	18'-6 3/4"
9	18'-3 1/4"	10'-3 3/4"	17'-7 1/4"	23'-2 1/4"
10	22'- 1/2"	7'-2 3/4"	14'-6 1/2"	25'-4 3/4"
11	30'-1 1/2"	11'- 1/2"	5'- 1/4"	28'-5 3/4"
12	23'-7"	16'-10 1/4"	9'-7 1/2"	19'-1 1/4"
13	18'-5 1/4"	22'-1"	16'-10 3/4"	11'-8 1/4"
14	10'- 1/4"	30'- 1/4"	28'-11 1/4"	6'- 1/4"
S2	20'-6 1/2"	17'-10 1/2"	12'-9 1/4"	16'-3 3/4"
S1	16'-0"	12'-4 1/2"	20'-0"	22'-5"
H2	17'-10 1/4"	25'-10 3/4"	20'-4 1/2"	8'-0"
H1	8'-3"	20'-5 3/4"	24'-9 1/4"	16'-2 1/4"
A	-	28'-4 1/2"	32'-7 1/4"	16'- 1/2"

MOUNTAIN LAKE 14-0 X 16-1 X 28-5 LEFT

DWG #: LSML00S1428L15

DATE: 1/1/2015

SHEET: 2 OF 3

