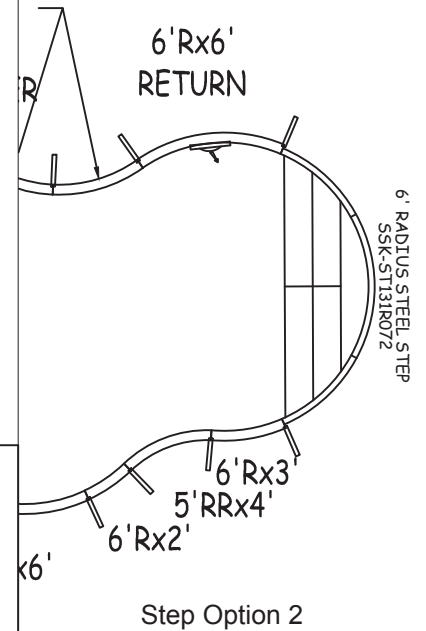
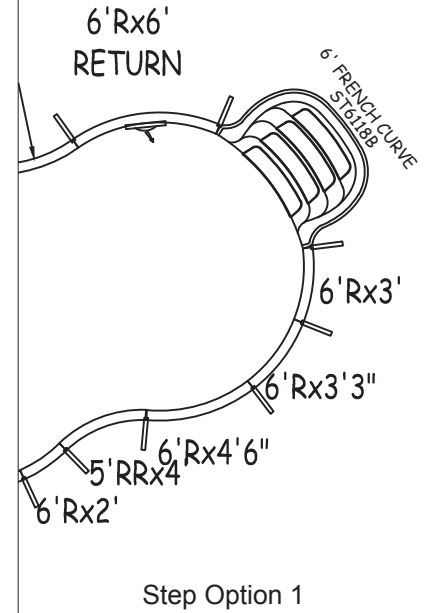
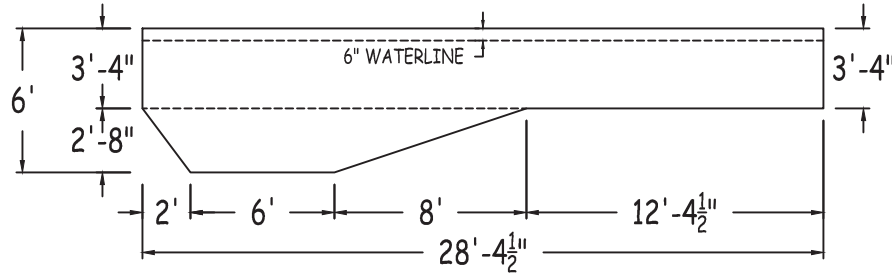
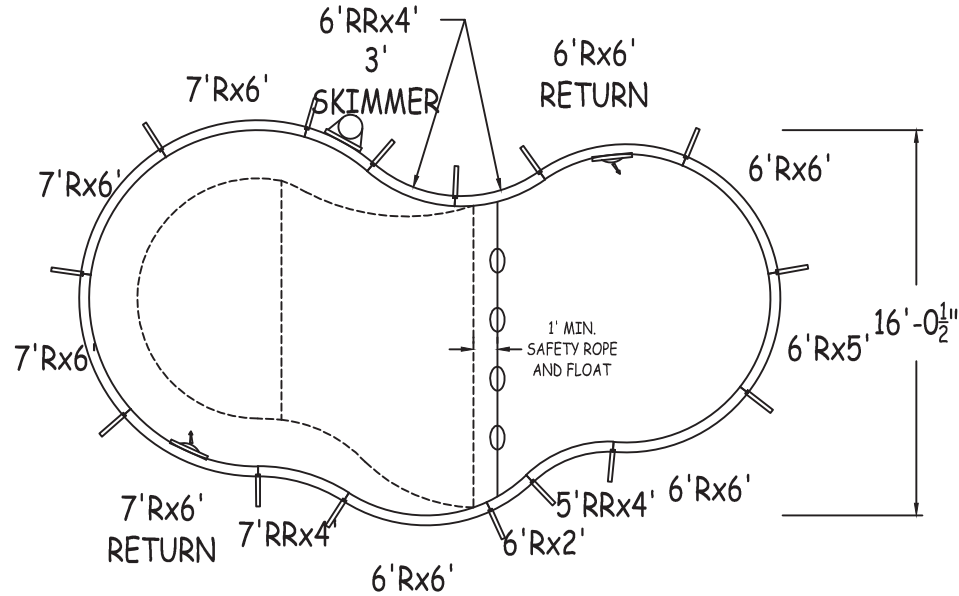
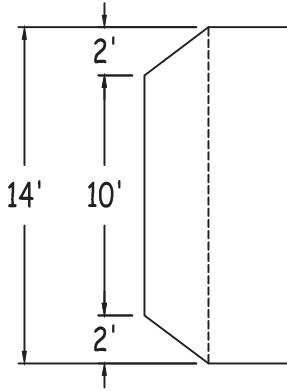


IN ACCORDANCE WITH ANSI/APSP/ICC-5 2011, THE INSTALLER IS RESPONSIBLE FOR PLACING ONE SKIMMER FOR EVERY 800 SQUARE FEET OF SURFACE AREA AND ONE RETURN FOR EVERY 300 SQUARE FEET OF SURFACE AREA.



LATHAM STEEL

MOUNTAIN LAKE 14-0 x 16-1 x 28-5 RIGHT

42" STEEL PANELS
DWG#: LSML00S1428R15

PERIMETER:	74'-0"	VOLUME (US Gal):	9200
SURFACE (ft²):	332	VOLUME (Liters):	34800
LINER (ft²):	397	DATE:	1/1/2015
		DSR:	87
KIT#:	ML00S1428	COVER (ft²):	597
		SCALE:	1/8" = 1'-0"



NON-DIVING POOL

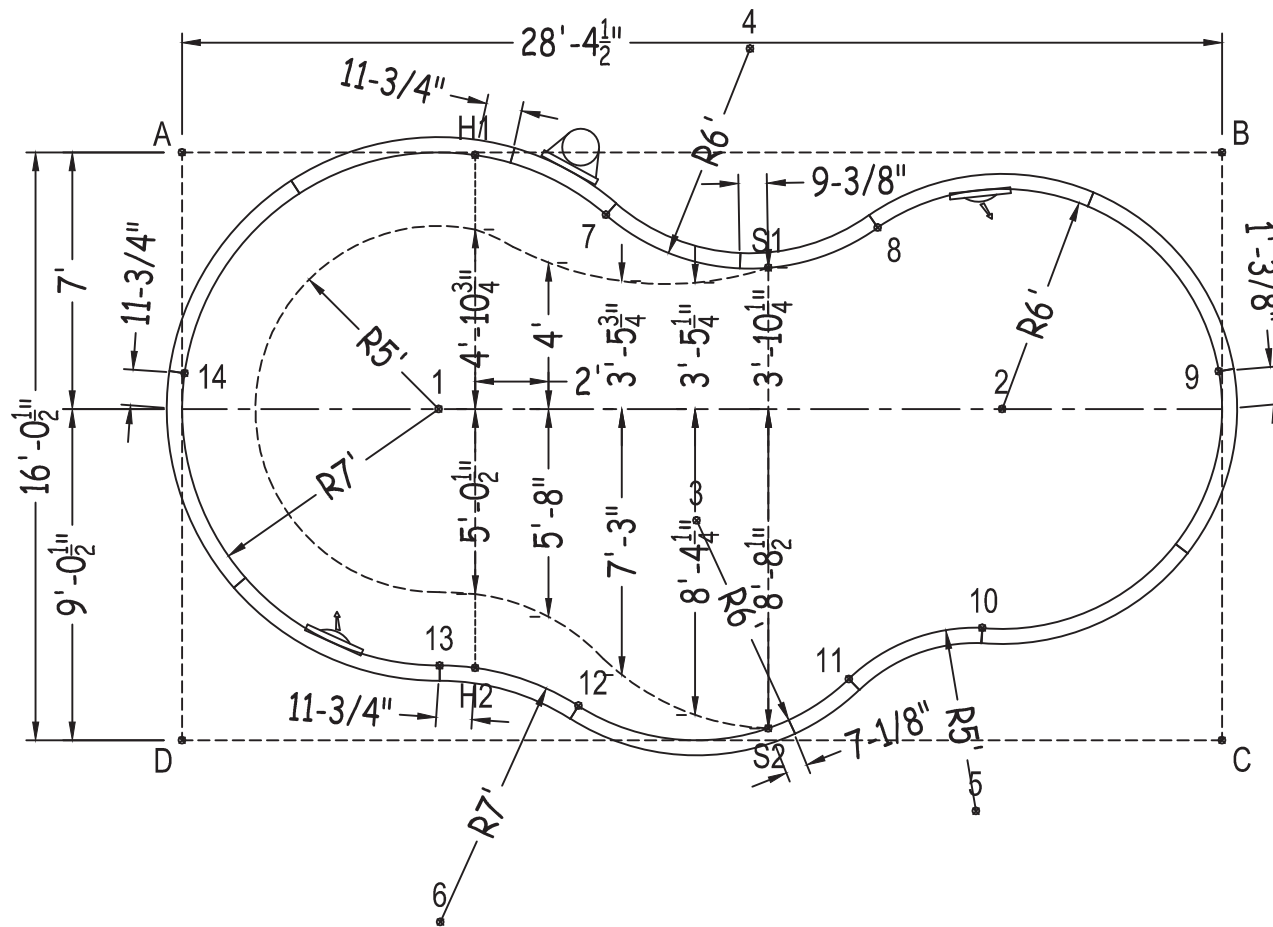
USE OF DIVING EQUIPMENT IS PROHIBITED

MOUNTAIN LAKE

SHEET: 1 OF 3

Center To Center	H1toH2	14'-0"	9 to10	9'-6 1/4"
1 to 2	S1toH1	8'-6 3/4"	9 to 11	13'-1 1/2"
1 to 3	S2toH2	8'-2"	9 to 12	19'-8 1/2"
1 to 4	S1toH2	13'-6 1/2"	9 to 13	22'-8 3/4"
1 to 5	H1toS2	17'-6 3/4"	9 to 14	28'-2 3/4"
1 to 6	7 to 8	7'-5"	10to11	3'-10 3/4"
2 to 3	7 to 9	17'-3"	10to12	11'-2 3/4"
2 to 4	7 to 10	15'-3"	10to13	14'-10 1/4"
2 to 5	7 to 11	14'-3 1/2"	10to14	22'-10 1/4"
2 to 6	7 to 12	13'-5"	11to12	7'-5"
3 to 4	7 to 13	13'-1 1/4"	11to13	11'-2 1/4"
3 to 5	7 to 14	12'-3 1/2"	11to14	19'-11 1/2"
3 to 6	8 to 9	10'-1 1/4"	12to13	3'-11 1/4"
4 to 5	8 to 10	11'-3 1/2"	12to14	14'- 3/4"
4 to 6	8 to 11	12'-4"	13to14	10'-7"
5 to 6	8 to 12	15'-4 3/4"		
Diagonals	8 to 13	16'-11"		
S1toS2	8 to 14	19'-4"		

Part number	Description	Quantity		
		Base	Option 1	Option 2
RA0720841X	7'Rx6'	3	3	3
RA0720841*	7'Rx6' RETURN	1	1	1
RA036SK10*	3' SKIMMER	1	1	1
RA0720721X	6'Rx6'	3	1	1
RA0720721*	6'Rx6' RETURN	1	1	1
RA0600721X	6'Rx5'	1	-	-
RA0540721X	6'Rx4'6"	-	1	-
RA0390720X	6'Rx3'3"	-	1	-
RA0360720X	6'Rx3'	-	1	1
RA0240720X	6'Rx2'	1	1	1
RR0480841X	7'RRx4'	1	1	1
RR0480721X	6'RRx4'	2	2	2
RR0480601X	5'RRx4'	1	1	1
Brace	Brace	15	16	14
IPC-STKPK25	REBAR STAKE 18" 25PC	2	2	2
IPC-HDWSTRT150	BOLT STR 3/8-16X1" C/W NUT 150PC	2	2	2
ST6118B	THKSHT STEP FRENCH CURVE 6'	-	1	-
SSK-ST131R072	STEEL STEP RAD 3 TRD 10'11"X6'RA	-	-	1



	A	B	C	D
1	9'-10 3/4"	22'-6"	23'-2 1/2"	11'-5 1/4"
2	23'-5 1/2"	9'-2 3/4"	10'-10 1/4"	24'-1 3/4"
3	17'-3 1/4"	17'-6"	15'-6 1/2"	15'-3 1/4"
4	15'-9"	13'-2 1/4"	22'-10 1/4"	24'-5"
5	28'-1 3/4"	19'-2 1/4"	6'-11 3/4"	21'-9"
6	22'-1 3/4"	29'-11 1/4"	21'-10 3/4"	8'-7 1/2"
7	11'-8 1/4"	16'-10 3/4"	22'-1"	18'-5 1/4"
8	19'-1 1/4"	9'-7 1/2"	16'-10 1/4"	23'-7"
9	28'-11"	5'-11 3/4"	10'-3/4"	30'-1/4"
10	25'-4 3/4"	14'-6 1/2"	7'-2 3/4"	22'-1/2"
11	23'-2 1/4"	17'-7 1/4"	10'-3 3/4"	18'-3 1/4"
12	18'-6 3/4"	23'-2"	17'-7"	10'-10 1/4"
13	15'-8"	25'-6 1/2"	21'-5 1/2"	7'-3 3/4"
14	6'-1/4"	28'-11 1/4"	30'-1/4"	10'-1/4"
S2	22'-5"	20'-0"	12'-4 1/2"	16'-0"
S1	16'-3 3/4"	12'-9 1/4"	17'-10 1/2"	20'-6 1/2"
H2	16'-2 1/4"	24'-9 1/4"	20'-5 3/4"	8'-3"
H1	8'-0"	20'-4 1/2"	25'-10 3/4"	17'-10 1/4"
A	-	28'-4 1/2"	32'-7 1/4"	16'-1/2"

MOUNTAIN LAKE 14-0 X 16-1 X 28-5 RIGHT

DWG #: LSML00S1428R15

DATE: 1/1/2015

SHEET: 2 OF 3

