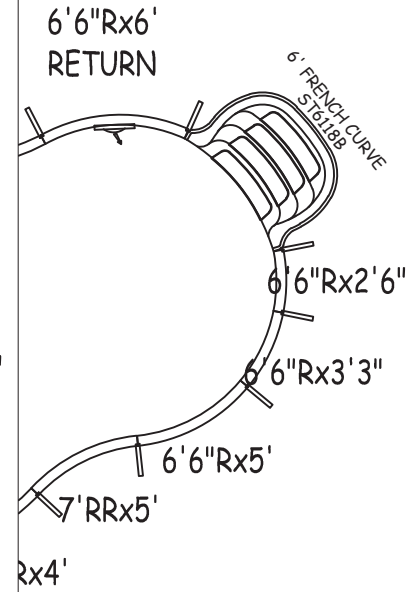
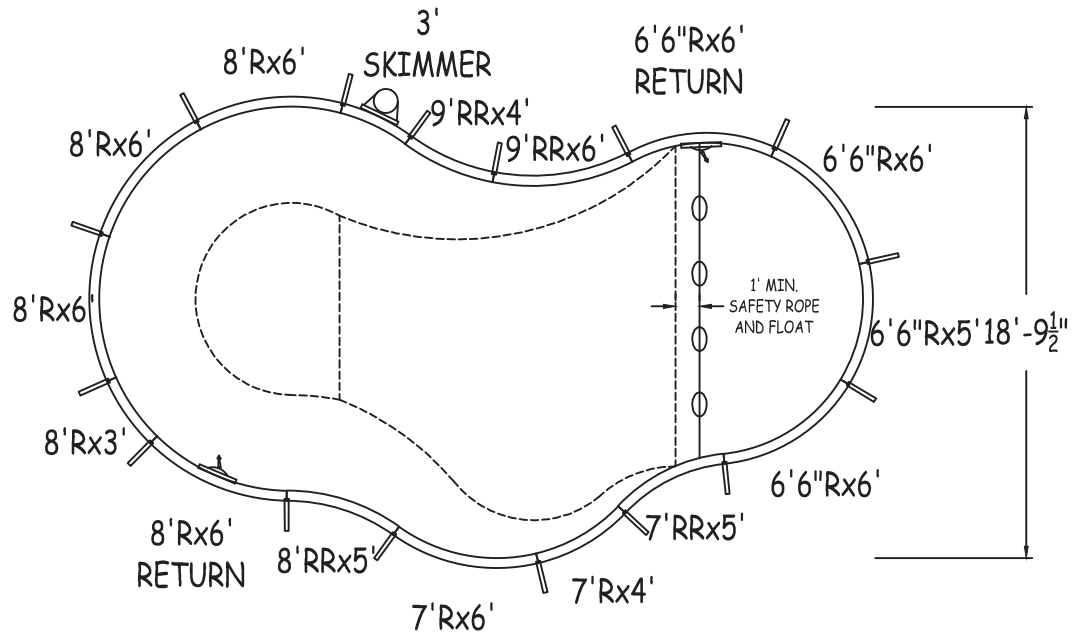
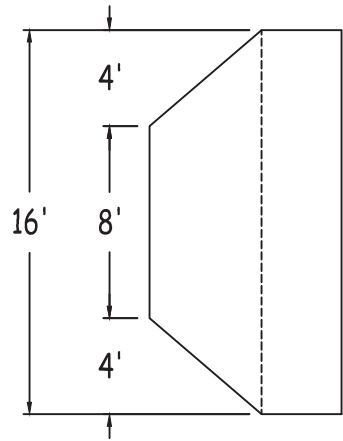
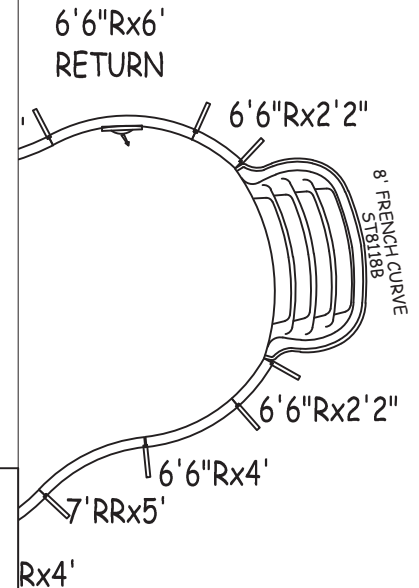
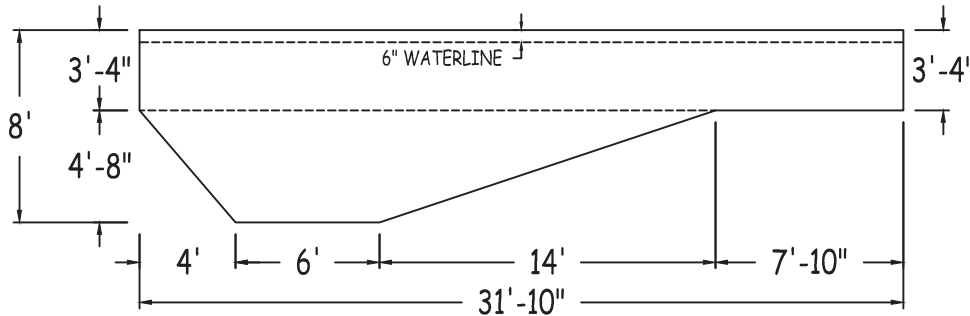


IN ACCORDANCE WITH ANSI/APSP/ICC-5 2011, THE INSTALLER IS RESPONSIBLE FOR PLACING ONE SKIMMER FOR EVERY 800 SQUARE FEET OF SURFACE AREA AND ONE RETURN FOR EVERY 300 SQUARE FEET OF SURFACE AREA.



Step Option 1



Step Option 2



LATHAM STEEL

MOUNTAIN LAKE 16-0 x 18-10 x 31-10 RIGHT

42" STEEL PANELS	PERIMETER:	83'-0"	VOLUME (US Gal):	14100
DWG#:	SURFACE (ft ²):	430	VOLUME (Liters):	53400
LSML00S1632R15	LINER (ft ²):	509	DATE:	1/1/2015
			DSR:	87
KIT#:	COVER (ft ²):	759	SCALE:	1/8" = 1'-0"



DIVING/SLIDING EQUIPMENT SHALL BE DESIGNED FOR SWIMMING POOLS AND SHALL BE INSTALLED IN ACCORDANCE WITH THE DIVING/SLIDING EQUIPMENT MANUFACTURER'S SPECIFICATIONS. PLEASE CONTACT THE DIVING/SLIDING EQUIPMENT MANUFACTURER FOR THEIR SPECIFICATIONS.

MEETS DEPTH AND SHAPE MINIMUM STANDARD ANSI/APSP/ICC-5 2011

MOUNTAIN LAKE

SHEET: 1 OF 3

