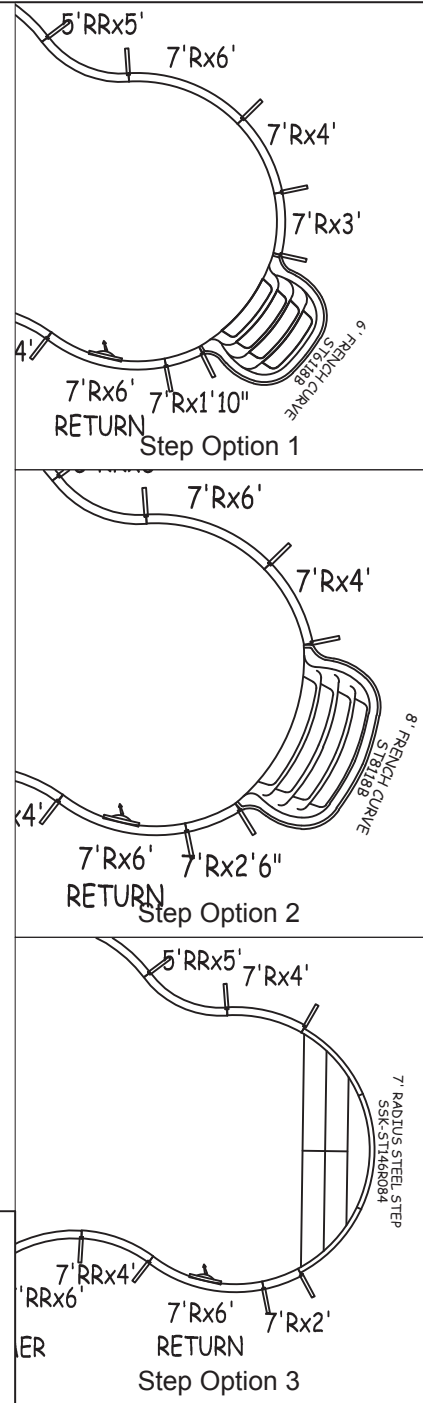
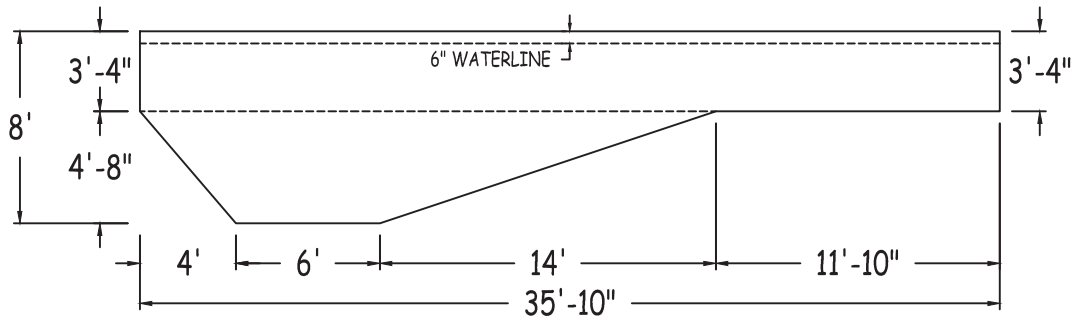
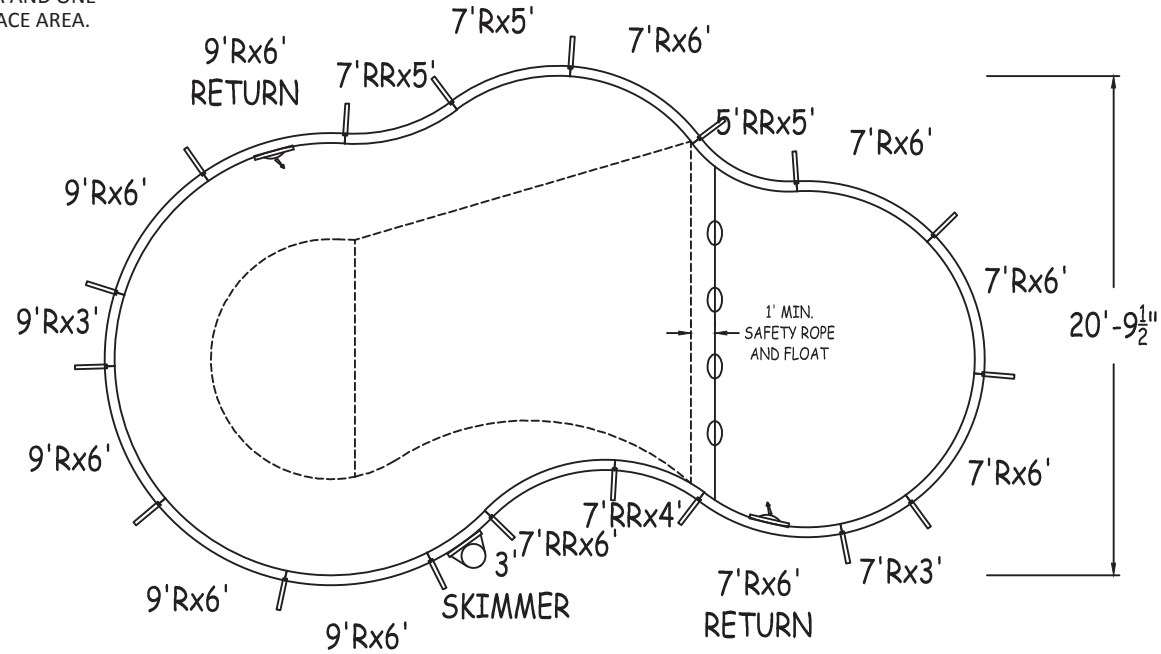
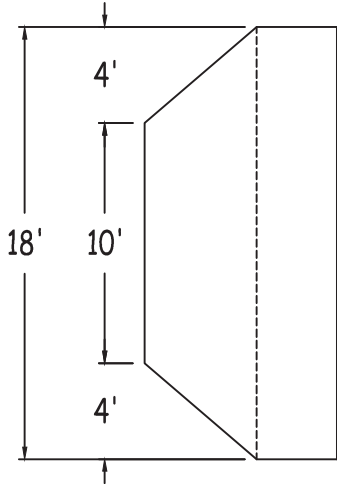


IN ACCORDANCE WITH ANSI/APSP/ICC-5 2011, THE INSTALLER IS RESPONSIBLE FOR PLACING ONE SKIMMER FOR EVERY 800 SQUARE FEET OF SURFACE AREA AND ONE RETURN FOR EVERY 300 SQUARE FEET OF SURFACE AREA.



LATHAM STEEL

MOUNTAIN LAKE 18-0 x 20-10 x 35-10 LEFT

42" STEEL PANELS	PERIMETER:	94'-0"	VOLUME (US Gal):	17100	
DWG#:	SURFACE (ft²):	522	VOLUME (Liters):	64700	
LSML00S1836L15	LINER (ft²):	645	DATE:	1/1/2015	
			DSR:	87	
KIT#:	ML00S1836	COVER (ft²):	924	SCALE:	1/8" = 1'-0"



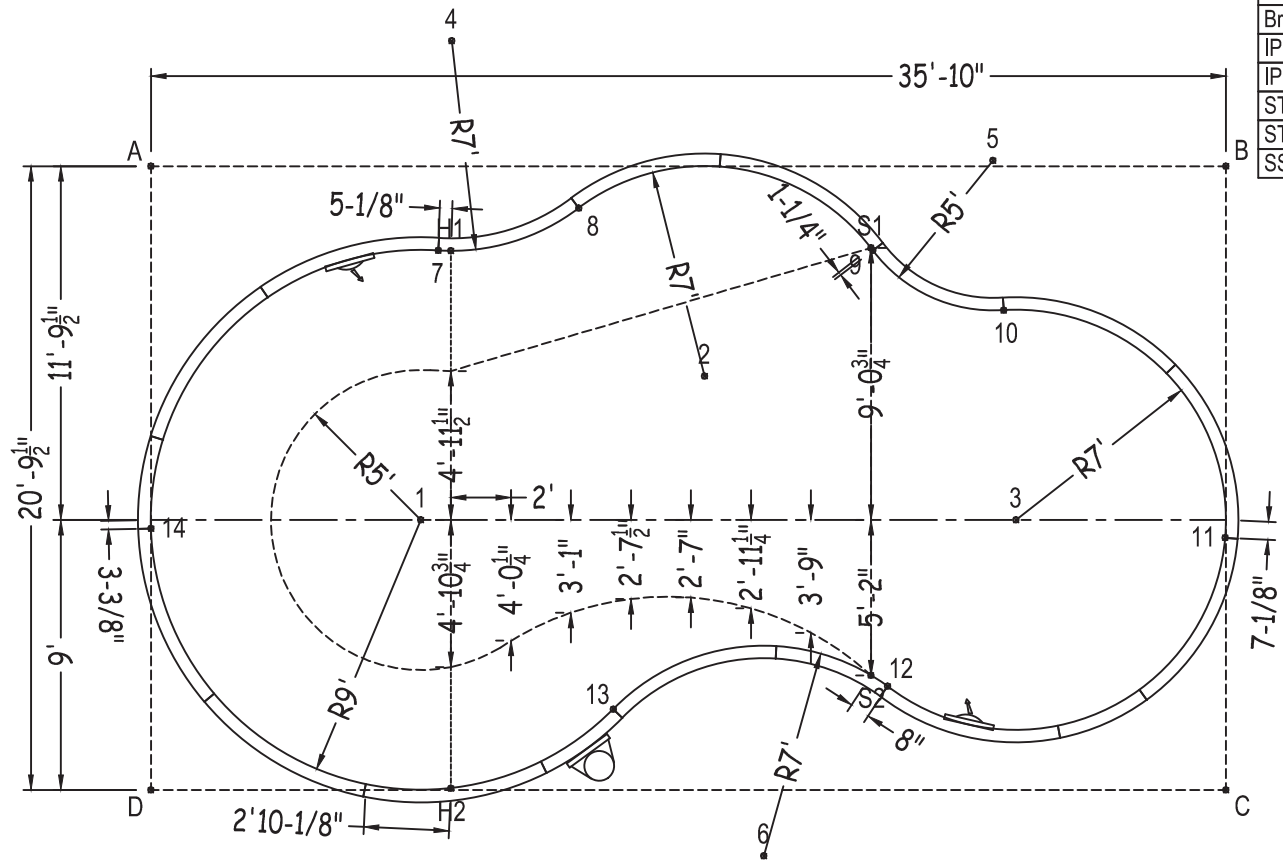
DIVING/SLIDING EQUIPMENT SHALL BE DESIGNED FOR SWIMMING POOLS AND SHALL BE INSTALLED IN ACCORDANCE WITH THE DIVING/SLIDING EQUIPMENT MANUFACTURER'S SPECIFICATIONS. PLEASE CONTACT THE DIVING/SLIDING EQUIPMENT MANUFACTURER FOR THEIR SPECIFICATIONS.

MEETS DEPTH AND SHAPE MINIMUM STANDARD ANSI/APSP/ICC-5 2011

MOUNTAIN LAKE

Center To Center	H1toH2	17'-11"	9 to10	4'-9 1/2"
1 to 2	S1toH1	14'-0"	9 to 11	15'-1 3/4"
1 to 3	S2toH2	14'-6"	9 to 12	14'-6 1/2"
1 to 4	S1toH2	22'-9 3/4"	9 to 13	17'-6 3/4"
1 to 5	H1toS2	19'-10 3/4"	9 to 14	25'-9 1/2"
1 to 6	7 to 8	4'-10 3/4"	10to11	10'-7"
2 to 3	7 to 9	14'-5 3/4"	10to12	13'-1 1/4"
2 to 4	7 to 10	18'-11 1/2"	10to13	18'-7 1/4"
2 to 5	7 to 11	27'-11"	10to14	29'-4"
2 to 6	7 to 12	20'-10 1/2"	11to12	12'-3 1/2"
3 to 4	7 to 13	16'-4 1/2"	11to13	21'-2"
3 to 5	7 to 14	13'-4"	11to14	35'-9 3/4"
3 to 6	8 to 9	9'-10 3/4"	12to13	9'-2"
4 to 5	8 to 10	14'-6 3/4"	12to14	25'-1 1/4"
4 to 6	8 to 11	24'-2 1/4"	13to14	16'-6 1/2"
5 to 6	8 to 12	18'-11 3/4"		
Diagonals	8 to 13	16'-9"		
S1toS2	8 to 14	17'-9 3/4"		

Part number	Description	Base	Option 1	Option 2	Option 3
		QTY	QTY	QTY	QTY
RA0721081X	9'Rx6'	4	4	4	4
RA0721081*	9'Rx6' RETURN	1	1	1	1
RA0361080X	9'Rx3'	1	1	1	1
RA036SK10*	3' SKIMMER	1	1	1	1
RA0720841*	7'Rx6' RETURN	1	1	1	1
RA0720841X	7'Rx6'	4	2	2	1
RA0600841X	7'Rx5'	1	1	1	1
RA0480841X	7'Rx4'	-	1	1	1
RA0360840X	7'Rx3'	1	1	-	-
RA0300840X	7'Rx2'6"	-	-	1	-
RA0240840X	7'Rx2'	-	-	-	1
RA0220840X	7'Rx1'10"	-	1	-	-
RR0720841X	7'RRx6'	1	1	1	1
RR0600841X	7'RRx5'	1	1	1	1
RR0480841X	7'RRx4'	1	1	1	1
RR0600601X	5'RRx5'	1	1	1	1
Brace	Brace	18	19	18	17
IPC-STKPK25	REBAR STAKE 18" 25PC	2	2	2	2
IPC-HDWSTRT150	BOLT STR 3/8-16X1" C/W NUT 150PC	2	2	2	2
ST6118B	THKST STEP FRENCH CURVE 6'	-	1	-	-
ST8118B	THKST STEP FRENCH CURVE 8'	-	-	1	-
SSK-ST146R084	STEEL STEP RAD 3 TRD 12'2"X7'RA	-	-	-	1



	A	B	C	D
1	14'-10"	29'-3 3/4"	28'-3 3/4"	12'-8 3/4"
2	19'-9"	18'-8 3/4"	22'-2 1/4"	23'- 1/2"
3	31'-1 3/4"	13'-8 1/2"	11'-4 3/4"	30'-2 1/2"
4	10'-10 1/4"	26'-1 3/4"	35'-11"	26'-10 3/4"
5	28'- 3/4"	7'-9 1/4"	22'-4 1/2"	35'- 1/2"
6	30'-9"	27'-8"	15'-6 3/4"	20'-6 1/2"
7	9'-11 3/4"	26'-5"	31'-10"	20'-4 1/2"
8	14'-4"	21'-7 1/2"	29'-0"	24'-1"
9	24'-2 3/4"	12'-1 1/4"	21'-6"	30'- 1/2"
10	28'-10"	8'-10"	17'-7 1/2"	32'-7 1/4"
11	37'-10 3/4"	12'-4 1/2"	8'-5"	36'-9 1/2"
12	30'- 3/4"	20'-8 1/4"	11'-9 1/2"	24'-9 1/2"
13	23'-9 1/4"	27'-3 1/2"	20'-7"	15'-7 3/4"
14	12'-1"	37'-9 3/4"	36'-10 1/2"	8'-8 1/2"
S2	29'-4 3/4"	20'-8 1/4"	12'-5 1/4"	24'-3 3/4"
S1	24'-1 3/4"	12'-1 3/4"	21'-7 1/4"	30'- 1/2"
H2	23'- 1/4"	33'-1 1/2"	25'-10"	10'-0"
H1	10'-4 3/4"	25'-11 3/4"	31'-5 1/2"	20'-6 3/4"
A	-	35'-10"	41'-5 1/4"	20'-9 1/2"

MOUNTAIN LAKE 18-0 X 20-10 X 35-10 LEFT

DWG #: LSML00S1836L15

DATE: 1/1/2015

SHEET: 2 OF 3

