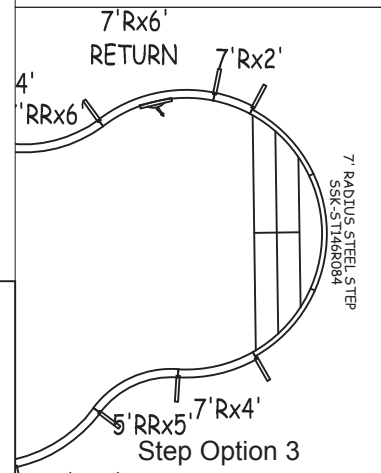
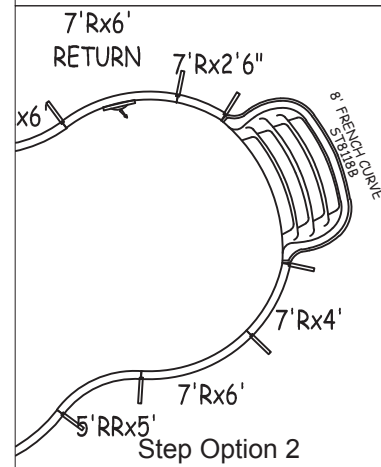
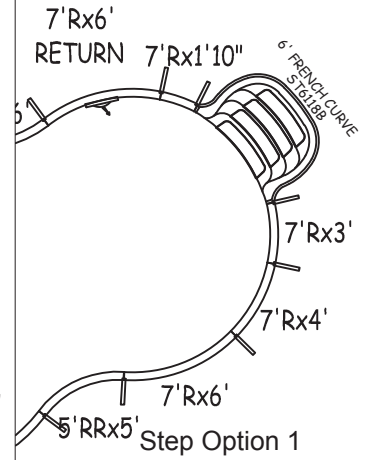
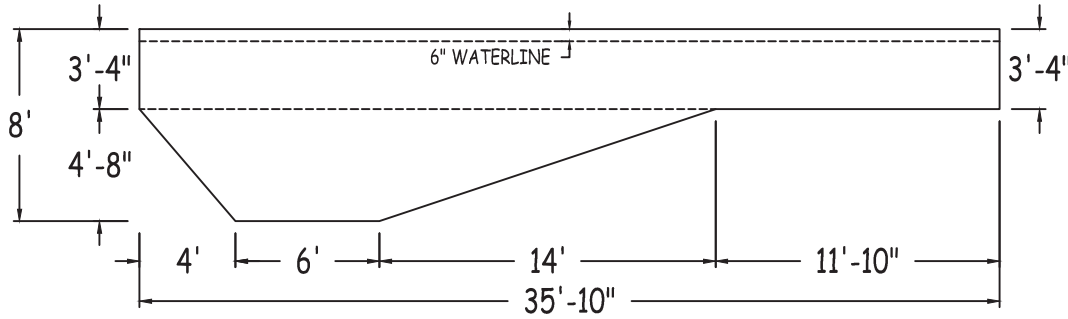
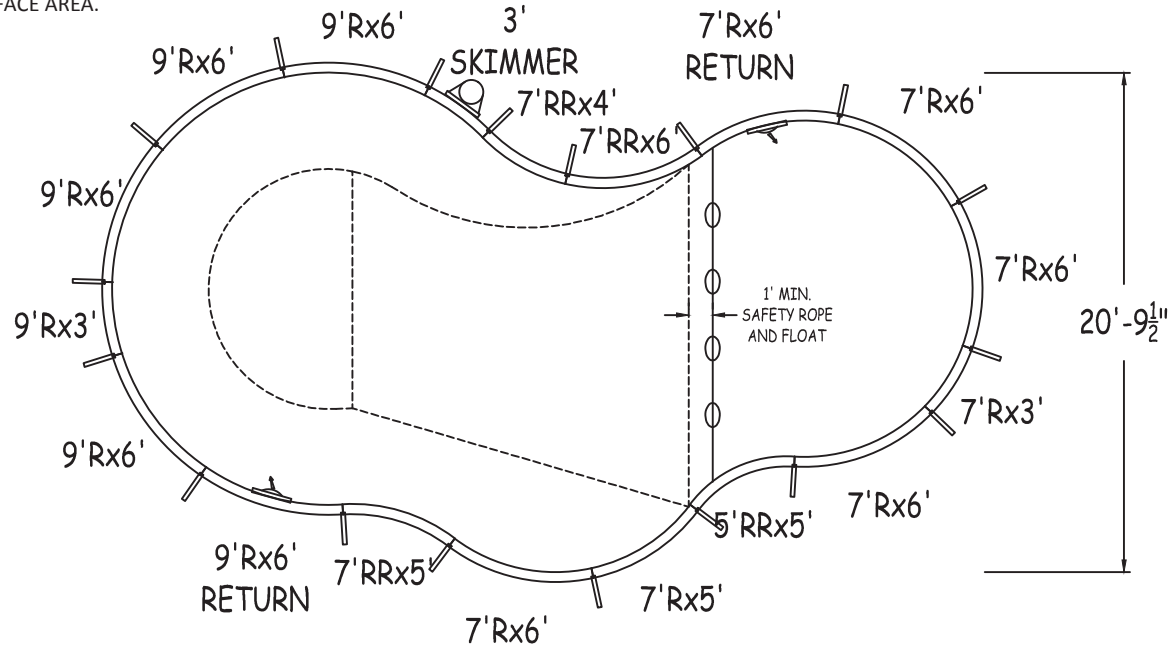
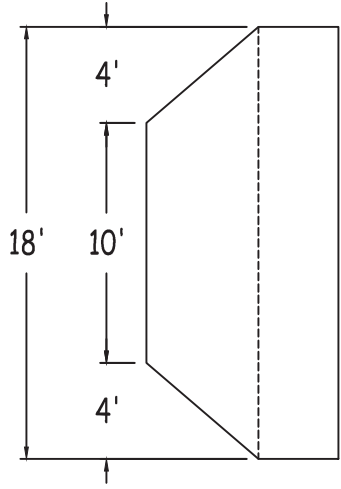


IN ACCORDANCE WITH ANSI/APSP/ICC-5 2011, THE INSTALLER IS RESPONSIBLE FOR PLACING ONE SKIMMER FOR EVERY 800 SQUARE FEET OF SURFACE AREA AND ONE RETURN FOR EVERY 300 SQUARE FEET OF SURFACE AREA.



LATHAM STEEL

MOUNTAIN LAKE 18-0 x 20-10 x 35-10 RIGHT

42" STEEL PANELS	PERIMETER:	94'-0"	VOLUME (US Gal):	17100
DWG#:	SURFACE (ft²):	522	VOLUME (Liters):	64700
LSML00S1836R15	LINER (ft²):	645	DATE:	1/1/2015
KIT#:	COVER (ft²):	924	DSR:	87
ML00S1836	SCALE:	1/8" = 1'-0"		

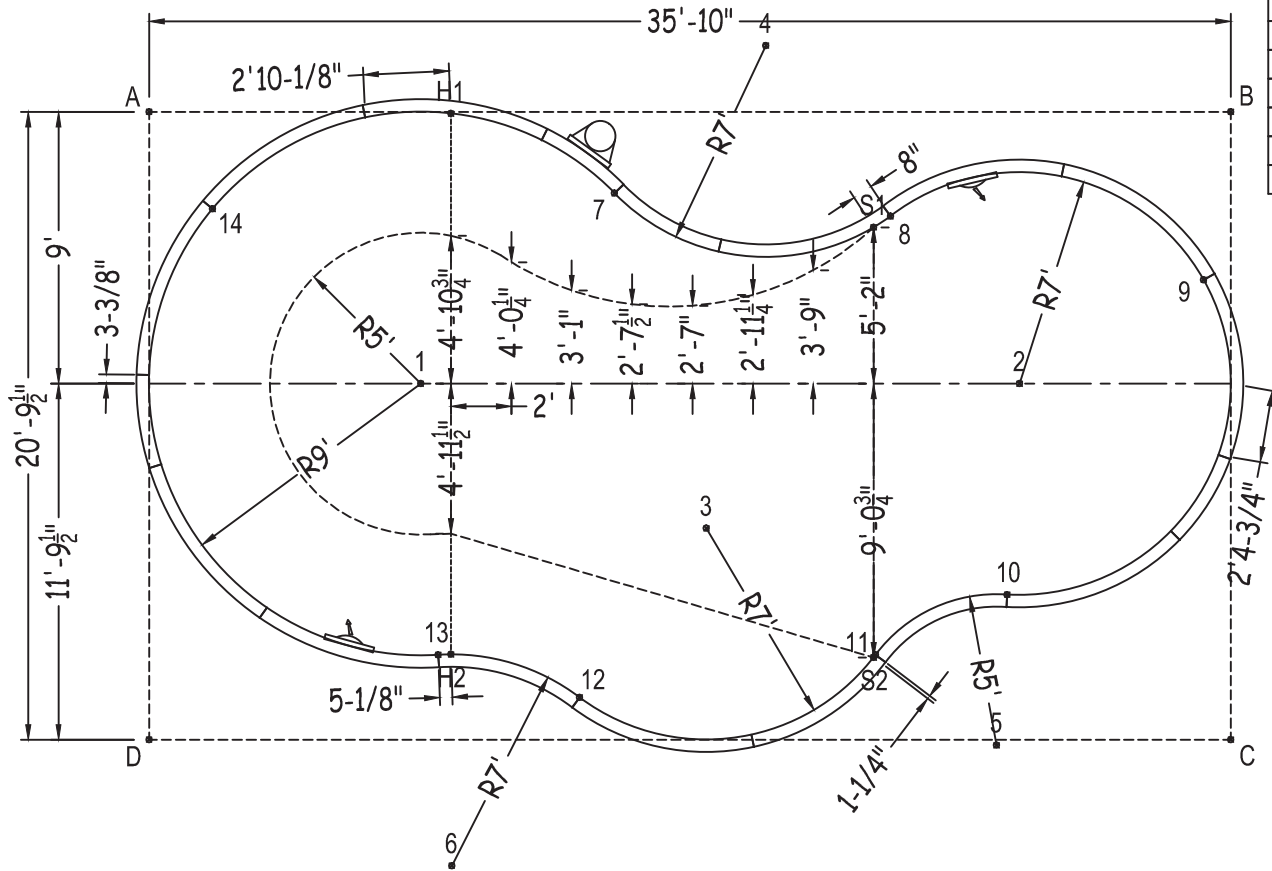


DIVING/SLIDING EQUIPMENT SHALL BE DESIGNED FOR SWIMMING POOLS AND SHALL BE INSTALLED IN ACCORDANCE WITH THE DIVING/SLIDING EQUIPMENT MANUFACTURER'S SPECIFICATIONS. PLEASE CONTACT THE DIVING/SLIDING EQUIPMENT MANUFACTURER FOR THEIR SPECIFICATIONS.

MEETS DEPTH AND SHAPE MINIMUM STANDARD ANSI/APSP/ICC-5 2011

MOUNTAIN LAKE

Center To Center	H1toH2	17'-11"	9 to10	12'-3 1/2"
1 to 2	S1toH1	14'-6"	9 to 11	16'-6"
1 to 3	S2toH2	14'-0"	9 to12	24'-10 1/2"
1 to 4	S1toH2	19'-10 3/4"	9 to 13	28'-2 3/4"
1 to 5	H1toS2	22'-9 3/4"	9 to 14	32'-11"
1 to 6	7 to 8	9'-2"	10to11	4'-9 1/2"
2 to 3	7 to 9	19'-8 3/4"	10to12	14'-6 3/4"
2 to 4	7 to10	18'-7 1/4"	10to13	18'-11 1/2"
2 to 5	7 to11	17'-6 3/4"	10to14	29'-3"
2 to 6	7 to12	16'-9"	11to12	9'-10 3/4"
3 to 4	7 to13	16'-4 1/2"	11 to13	14'-5 3/4"
3 to 5	7 to14	13'-4"	11to14	26'-5 1/2"
3 to 6	8 to 9	10'-7"	12to13	4'-10 3/4"
4 to 5	8 to10	13'-1 1/4"	12to14	20'-2 3/4"
4 to 6	8 to11	14'-6 1/2"	13to14	16'-6 1/2"
5 to 6	8 to12	18'-11 3/4"		
Diagonals	8 to13	20'-10 1/2"		
S1toS2	8 to14	22'-5 1/2"		



Part number	Description	Base	Option 1	Option 2	Option 3
		QTY	QTY	QTY	QTY
RA0721081X	9Rx6'	4	4	4	4
RA0721081*	9Rx6' RETURN	1	1	1	1
RA0361080X	9Rx3'	1	1	1	1
RA036SK10*	3' SKIMMER	1	1	1	1
RA0720841X	7Rx6'	4	2	2	1
RA0720841*	7Rx6' RETURN	1	1	1	1
RA0600841X	7Rx5'	1	1	1	1
RA0480841X	7Rx4'	-	1	1	1
RA0360840X	7Rx3'	1	1	-	-
RA0300840X	7Rx2'6"	-	-	1	-
RA0240840X	7Rx2'	-	-	-	1
RA0220840X	7Rx1'10"	-	1	-	-
RR0720841X	7RRx6'	1	1	1	1
RR0600841X	7RRx5'	1	1	1	1
RR0480841X	7RRx4'	1	1	1	1
RR0600601X	5RRx5'	1	1	1	1
Brace	Brace	18	19	18	17
IPC-STKPK25	REBAR STAKE 18" 25PC	2	2	2	2
IPC-HDWSTRT150	BOLT STR 3/8-16X1" C/W NUT 150PC	2	2	2	2
ST6118B	THKSHT STEP FRENCH CURVE 6'	-	1	-	-
ST8118B	THKSHT STEP FRENCH CURVE 8'	-	-	1	-
SSK-ST146R084	STEEL STEP RAD 3 TRD 12'2"X7'RA	-	-	-	1

	A	B	C	D
1	12'-8 3/4"	28'-3 3/4"	29'-3 3/4"	14'-10"
2	30'-2 1/2"	11'-4 3/4"	13'-8 1/2"	31'-1 3/4"
3	23'-1/2"	22'-2 1/4"	18'-8 3/4"	19'-9"
4	20'-6 1/2"	15'-6 3/4"	27'-8"	30'-9"
5	35'-1/2"	22'-4 1/2"	7'-9 1/4"	28'-3/4"
6	26'-10 3/4"	35'-11"	26'-1 3/4"	10'-10 1/4"
7	15'-7 3/4"	20'-7"	27'-3 1/2"	23'-9 1/4"
8	24'-9 1/2"	11'-9 1/2"	20'-8 1/4"	30'-3/4"
9	35'-4 1/2"	5'-7 1/2"	15'-3"	38'-1 1/4"
10	32'-7 1/4"	17'-7 1/2"	8'-10"	28'-10"
11	30'-1/2"	21'-6"	12'-1 1/4"	24'-2 3/4"
12	24'-1"	29'-0"	21'-7 1/2"	14'-4"
13	20'-4 1/2"	31'-10"	26'-5"	9'-11 3/4"
14	3'-10"	33'-10 1/2"	38'-1/2"	17'-8 1/2"
S2	30'-1/2"	21'-7 1/4"	12'-1 3/4"	24'-1 3/4"
S1	24'-3 3/4"	12'-5 1/4"	20'-8 1/4"	29'-4 3/4"
H2	20'-6 3/4"	31'-5 1/2"	25'-11 3/4"	10'-4 3/4"
H1	10'-0"	25'-10"	33'-1 1/2"	23'-1/4"
A	-	35'-10"	41'-5 1/4"	20'-9 1/2"

MOUNTAIN LAKE 18-0 X 20-10 X 35-10 RIGHT

DWG #: LSML00S1836R15

DATE: 1/1/2015

SHEET: 2 OF 3

