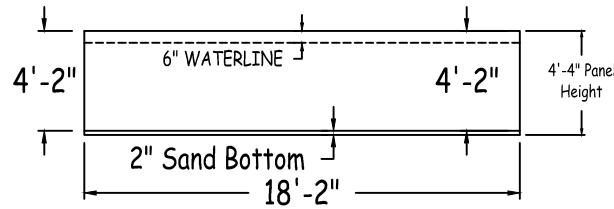
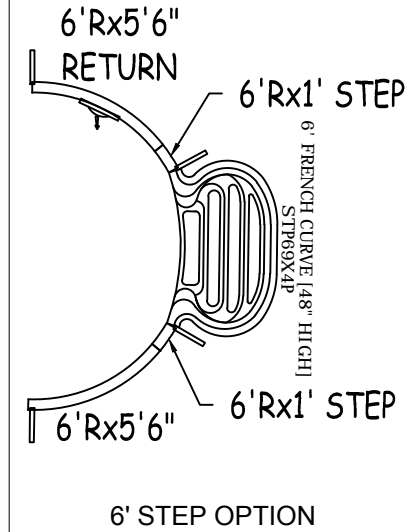
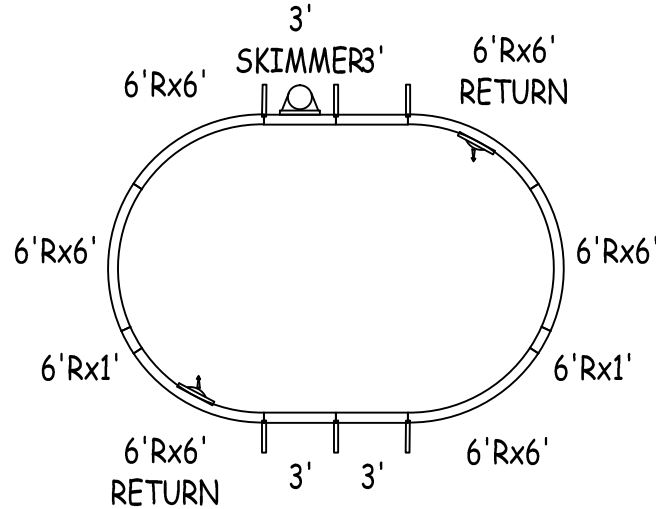
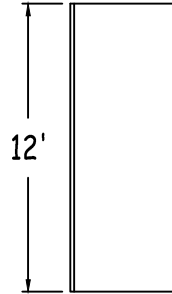
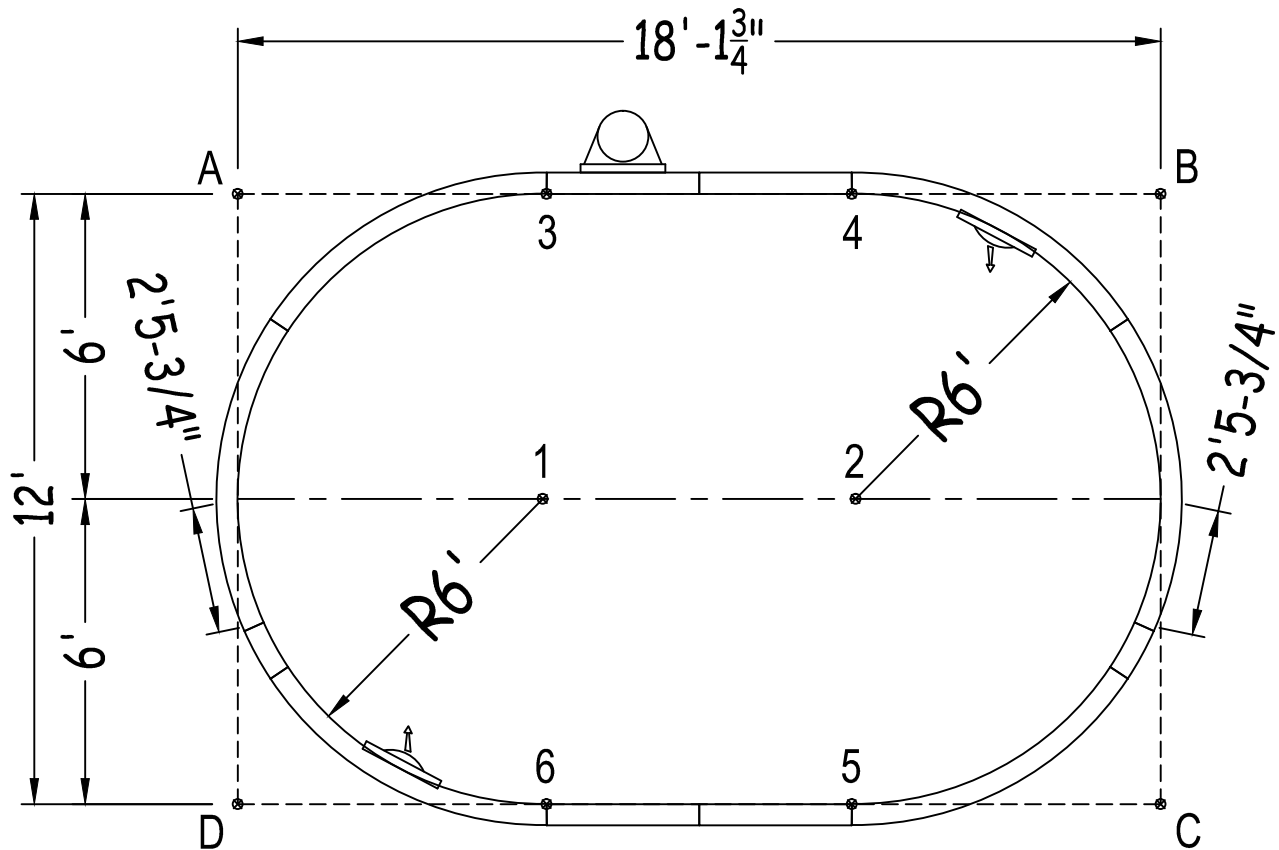


IN ACCORDANCE WITH ANSI/APSP/ICC-5 2011, THE INSTALLER IS RESPONSIBLE FOR PLACING ONE SKIMMER FOR EVERY 800 SQUARE FEET OF SURFACE AREA AND ONE RETURN FOR EVERY 300 SQUARE FEET OF SURFACE AREA.



		<b>OVAL-FLAT BOTTOM 12-0 X 18-2</b>				<b>NON-DIVING POOL</b>		<b>WARNING!</b> FOR WARRANTY AND SAFETY PURPOSES: <i>Compression straps required</i> (NOTE: 4 straps per panel, both sides of panel) Bolts must be used at every bolt hole location.	
52" STEEL PANELS	PERIMETER: 50'-0"	VOLUME (US Gal):	5100				USE OF DIVING EQUIPMENT IS PROHIBITED		MEETS DEPTH AND SHAPE MINIMUM STANDARD ANSI/APSP/ICC-5 2011
DWG#: B5OVFBS1218-16	SURFACE (ft²): 187	VOLUME (Liters):	19300						
KIT#: OVFBS1218	COVER (ft²): 282	DATE: 1/1/2016	DSR: 160						
		SCALE: 1/8" = 1'-0"							
<b>OVAL-FLAT BOTTOM</b>					SHEET: 1 OF 2				

Center To Center	
1 To 2	6'-1 3/4"
Diagonals	
3 To 4	6'-0"
3 To 5	13'-5"
3 To 6	12'-0"
4 To 5	12'-0"
4 To 6	13'-5"
5 To 6	6'-0"



Part number	Description	Base	Option 1
		QTY	QTY
ST0360000X	3'	3	3
ST0360000*	3' SKIMMER	1	1
RA0720720X	6'Rx6'	4	2
RA0720720*	6'Rx6' RETURN	2	1
RA0660720X	6'Rx5'6"	-	1
RA0660720*	6'Rx5'6" RETURN	-	1
RA0120720S	6'Rx1' STEP	-	2
RA0120720X	6'Rx1'	2	1
RA072102SC	6'0"X4" STEP CONNECTOR	-	1
Brace	Brace	6	8
IPC-DRVSTK12G	BRACE COMP D-STK 3"X24" 90D 12G	6	8
IPC-BT52WCS-2	COMPRESSION STRAP 2PC	24	26
IPC-STKPK25	REBAR STAKE 18" 25PC	1	1
IPC-HDWSTRT150	BOLT STR 3/8-16X1" C/W NUT 150PC	1	1
STP69X4P	ACRYLIC STEP FRENCH CURVE 6' (48")	-	1
CAW-CLIP-1	Coping Clip	10	0
COP-TSPK100	Tek Screw (100/PKG)	1	0
CYW-ST072000-1	BT WHT 6' 0" STRAIGHT 1PC	2	0
CYW-RA096072-1	BT WHT, 8' 0" X 6' 0" RADIUS 1PC	4	0
CYW-RA036072-1	BT WHT, 3' 0" X 6' 0" RADIUS 1PC	2	0
CYW-INSRT00PFT	BT COPING, WC TRK COVER PER FT	50	0

	A	B	C	D
1	8'-5 3/4"	13'-6 1/2"	13'-6 1/2"	8'-5 3/4"
2	13'-6 1/2"	8'-5 3/4"	8'-5 3/4"	13'-6 1/2"
3	6'-1"	12'-1"	17'- 1/4"	13'-5 1/2"
4	12'-1"	6'-1"	13'-5 1/2"	17'- 1/4"
5	17'- 1/4"	13'-5 1/2"	6'-1"	12'-1"
6	13'-5 1/2"	17'- 1/4"	12'-1"	6'-1"
A	-	18'-1 3/4"	21'-9"	12'-0"

OVAL-FLAT BOTTOM 12-0 X 18-2

DWG #: B5OVFBS1218-16

DATE: 1/1/2016

SHEET: 2 OF 2