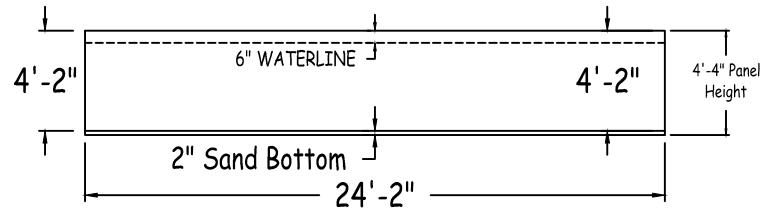
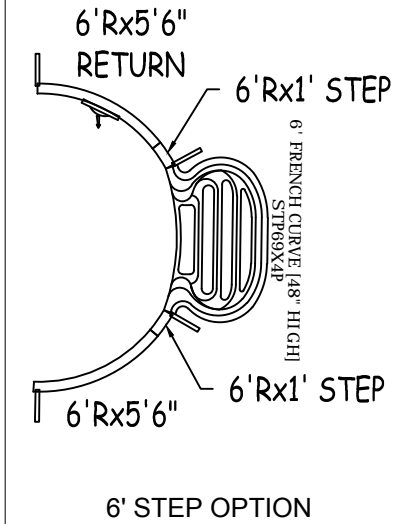
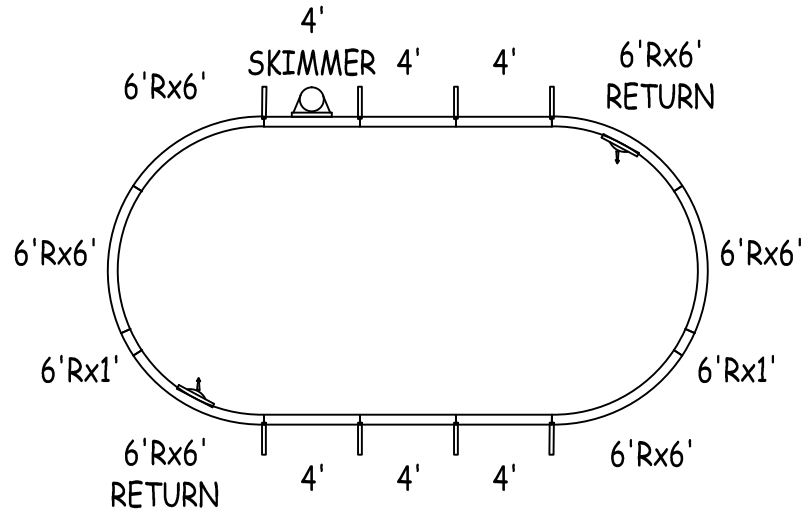
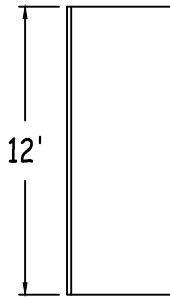


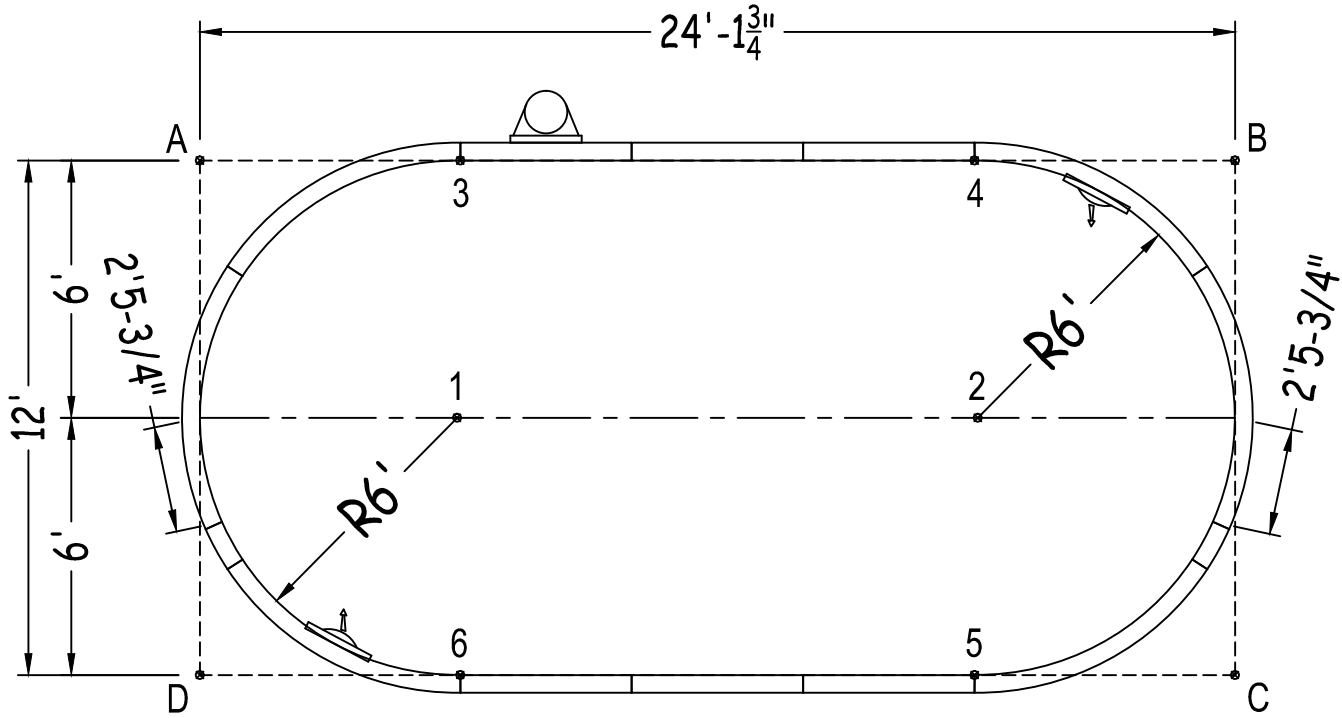
IN ACCORDANCE WITH ANSI/APSP/ICC-5 2011, THE INSTALLER IS RESPONSIBLE FOR PLACING ONE SKIMMER FOR EVERY 800 SQUARE FEET OF SURFACE AREA AND ONE RETURN FOR EVERY 300 SQUARE FEET OF SURFACE AREA.



		OVAL-FLAT BOTTOM 12-0 X 24-2				NON-DIVING POOL		WARNING! FOR WARRANTY AND SAFETY PURPOSES: <i>Compression straps required</i> (NOTE: 4 straps per panel, both sides of panel) Bolts must be used at every bolt hole location.	
52" STEEL PANELS	PERIMETER: 62'-0"	VOLUME (US Gal):	7100			USE OF DIVING EQUIPMENT IS PROHIBITED			
DWG#: B5OVFBS1224-16	SURFACE (ft²): 259	VOLUME (Liters):	26900						
KIT#: OVFB1224	LINER (ft²): 290	DATE: 1/1/2016	DSR: 160	MEETS DEPTH AND SHAPE MINIMUM STANDARD ANSI/APSP/ICC-5 2011					
	COVER (ft²): 366	SCALE: 1/8" = 1'-0"						SHEET: 1 OF 2	

OVAL-FLAT BOTTOM

Center To Center	
1 To 2	12'-1 3/4"
Diagonals	
3 To 4	12'-0"
3 To 5	16'-11 3/4"
3 To 6	12'-0"
4 To 5	12'-0"
4 To 6	16'-11 3/4"
5 To 6	12'-0"



Part number	Description	Base		Option 1	
		QTY	QTY	QTY	QTY
ST0480000X	4'	5	5		
ST0480000*	4' SKIMMER	1	1		
RA0720720X	6'Rx6'	4	2		
RA0720720*	6'Rx6' RETURN	2	1		
RA0660720X	6'Rx5'6"	-	1		
RA0660720*	6'Rx5'6" RETURN	-	1		
RA0120720X	6'Rx1'	2	1		
RA0120720S	6'Rx1' STEP	-	2		
RA072102SC	6'0"X4" STEP CONNECTOR	-	1		
Brace	Brace	8	10		
IPC-DRVSTK12G	BRACE COMP D-STK 3"X24" 90D 12G	8	10		
IPC-BT52WCS-2	COMPRESSION STRAP 2PC	28	30		
IPC-STKPK25	REBAR STAKE 18" 25PC	1	1		
IPC-HDWSTRT150	BOLT STR 3/8-16X1" C/W NUT 150PC	2	2		
STP69X4P	ACRYLIC STEP FRENCH CURVE 6' (48")	-	1		
CYW-CLIP-1	Coping Clip	12	0		
COP-TSPK100	Tek Screw (100/PKG)	1	0		
CYW-ST120000-1	BT WHT 10' 0" STRAIGHT 1PC	2	0		
CYW-ST024000-1	BT WHT 2' 0" STRAIGHT 1PC	2	0		
CYW-RA096072-1	BT WHT, 8' 0" X 6' 0" RADIUS 1PC	4	0		
CYW-RA036072-1	BT WHT, 3' 0" X 6' 0" RADIUS 1PC	2	0		
CYW-INSRT00PFT	BT COPING, WC TRK COVER PER FT	70	0		

	A	B	C	D
1	8'-5 3/4"	19'-1 1/2"	19'-1 1/2"	8'-5 3/4"
2	19'-1 1/2"	8'-5 3/4"	8'-5 3/4"	19'-1 1/2"
3	6'-1"	18'-1"	21'-8 1/4"	13'-5 1/2"
4	18'-1"	6'-1"	13'-5 1/2"	21'-8 1/4"
5	21'-8 1/4"	13'-5 1/2"	6'-1"	18'-1"
6	13'-5 1/2"	21'-8 1/4"	18'-1"	6'-1"
A	-	24'-1 3/4"	26'-11 1/2"	12'-0"

OVAL-FLAT BOTTOM 12-0 X 24-2

DWG #: B5OVFBS1224-16

DATE: 1/1/2016

SHEET: 2 OF 2