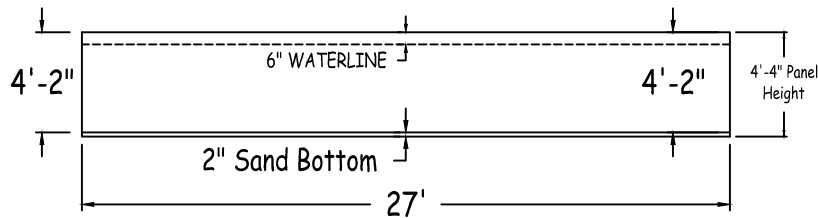
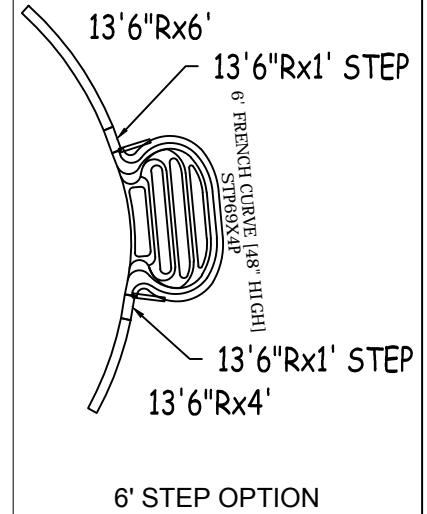
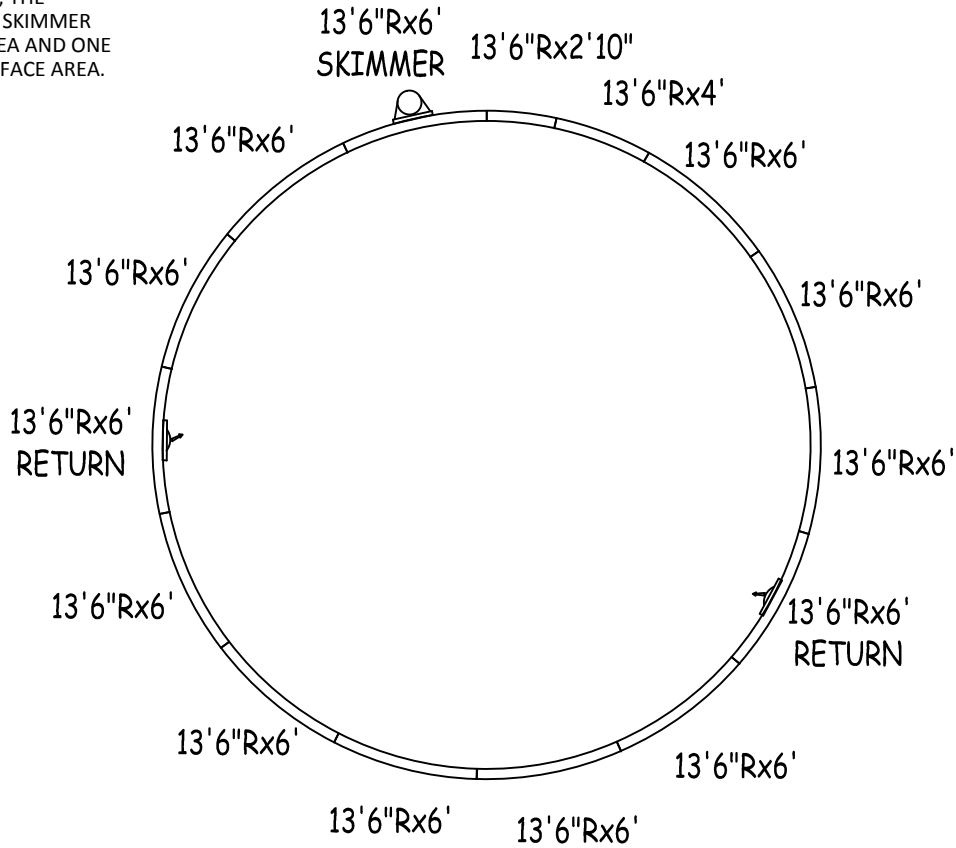
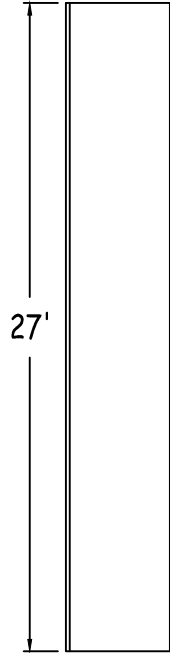
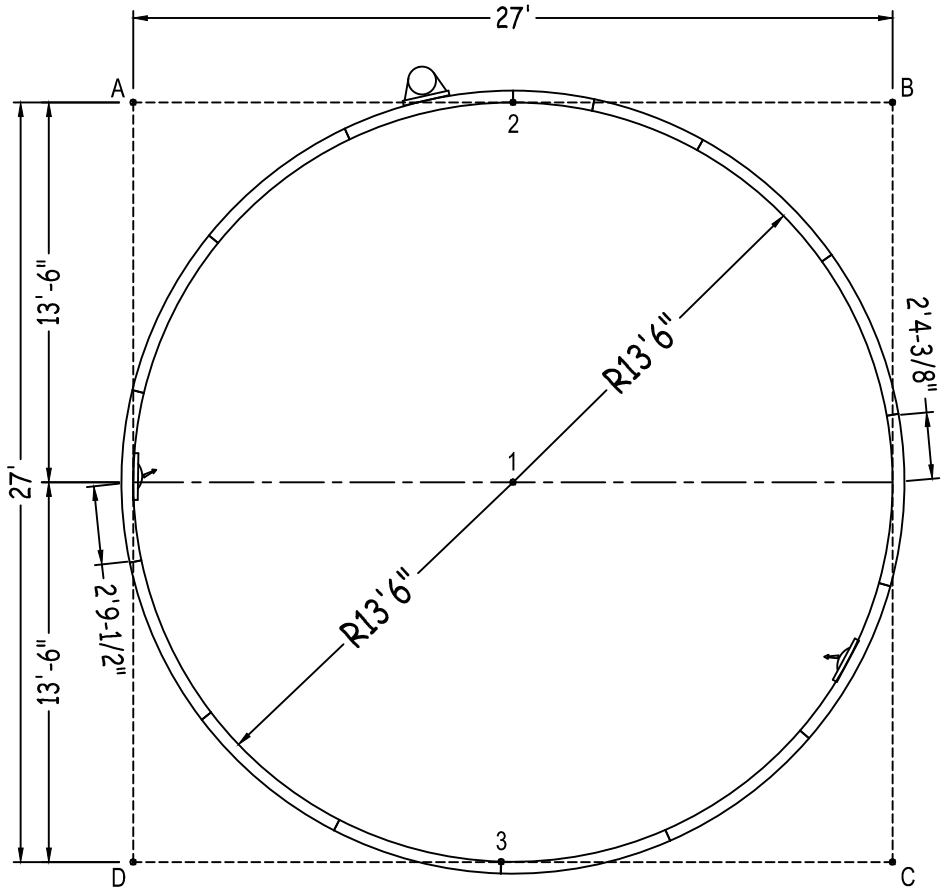


IN ACCORDANCE WITH ANSI/APSP/ICC-5 2011, THE INSTALLER IS RESPONSIBLE FOR PLACING ONE SKIMMER FOR EVERY 800 SQUARE FEET OF SURFACE AREA AND ONE RETURN FOR EVERY 300 SQUARE FEET OF SURFACE AREA.



Bartop OG Pool System		ROUND 27-0 X 27-0		ALWAYS ENTER POOL 		NON-DIVING POOL USE OF DIVING EQUIPMENT IS PROHIBITED		WARNING! FOR WARRANTY AND SAFETY PURPOSES: <i>Compression straps required</i> (NOTE: 4 straps per panel, both sides of panel) Bolts must be used at every bolt hole location.		
52" STEEL PANELS	PERIMETER:	84'-10"	VOLUME (US Gal):	15700						
DWG#:	SURFACE (ft²):	573	VOLUME (Liters):	59400						
B5ROFBS2727-16	LINER (ft²):	572	DATE:	1/1/2016	DSR:	151				
KIT#:	ROFBS2727	COVER (ft²):	841	SCALE:	1/8" = 1'-0"		MEETS DEPTH AND SHAPE MINIMUM STANDARD ANSI/APSP/ICC-5 2011			
								SHEET: 1 OF 2		

Diagonals
2 To 3 27'-0"



Part number	Description	Base		Option 1	
		QTY	QTY	QTY	QTY
RA0721620X	13'6"Rx6'	10	8		
RA0721620*	13'6"Rx6' SKIMMER	1	1		
RA0721620*	13'6"Rx6' RETURN	2	2		
RA0481620X	13'6"Rx4'	1	2		
RA0341620X	13'6"Rx2'10"	1	1		
RA0121620S	13'6"Rx1' STEP	-	2		
RA072102SC	6'0"X4" STEP CONNECTOR	-	1		
Brace	Brace	-	2		
IPC-BT52WCS-2	COMPRESSION STRAP 2PC	30	34		
IPC-DRVSTK12G	BRACE COMP D-STK 3"X24" 90D 12G	-	2		
IPC-STKPK25	REBAR STAKE 18" 25PC	1	1		
IPC-HDWSTRT150	BOLT STR 3/8-16X1" C/W NUT 150PC	1	2		
STP69X4P	ACRYLIC STEP FRENCH CURVE 6' (48")	-	1		
CYW-RA096162-1	BT WHT, 8' 0" X 13' 6" RADIUS 1PC	10	0		
CYW-RA048162-1	BT WHT, 4' 0" X 13' 6" RADIUS 1PC	1	0		
CYW-CLIP-1	BT COPING, CLIP	13	0		
COP-TSPK100	SCREW PACK, TEK #10 X 3/4 (100X1)	1	0		
CYW-INSRT00PFT	BT COPING, WC TRK COVER PER FT	90	0		

	A	B	C	D
1	19'-1"	19'-1"	19'-1"	19'-1"
2	13'-6"	13'-6"	30'-2 1/4"	30'-2 1/4"
3	30'-0"	30'-4 1/2"	13'-11"	13'-1"
A	-	27'-0"	38'-2 1/4"	27'-0"

ROUND 27-0 X 27-0

DWG #: B5ROFBS2727-16

DATE: 1/1/2016

SHEET: 2 OF 2