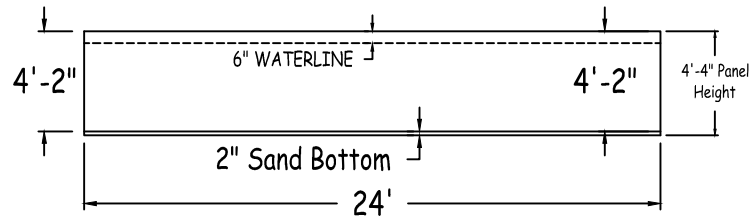
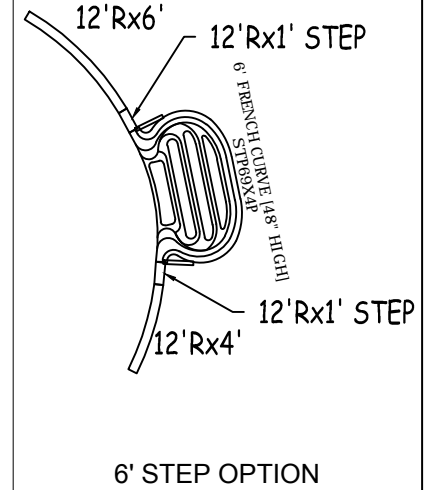
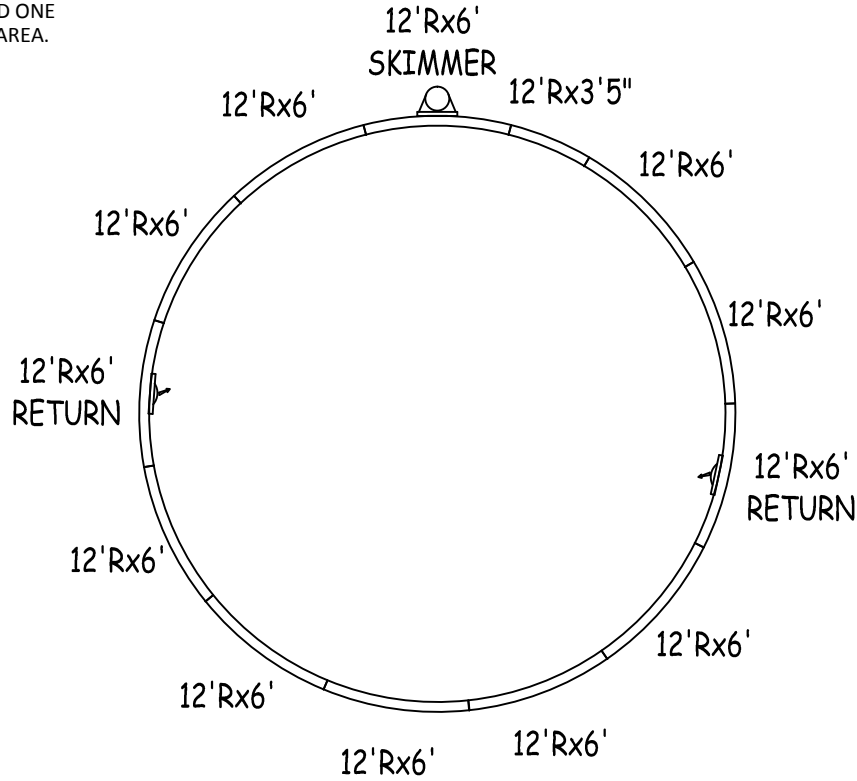
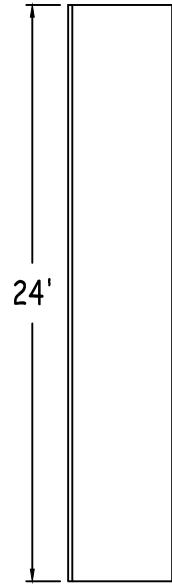
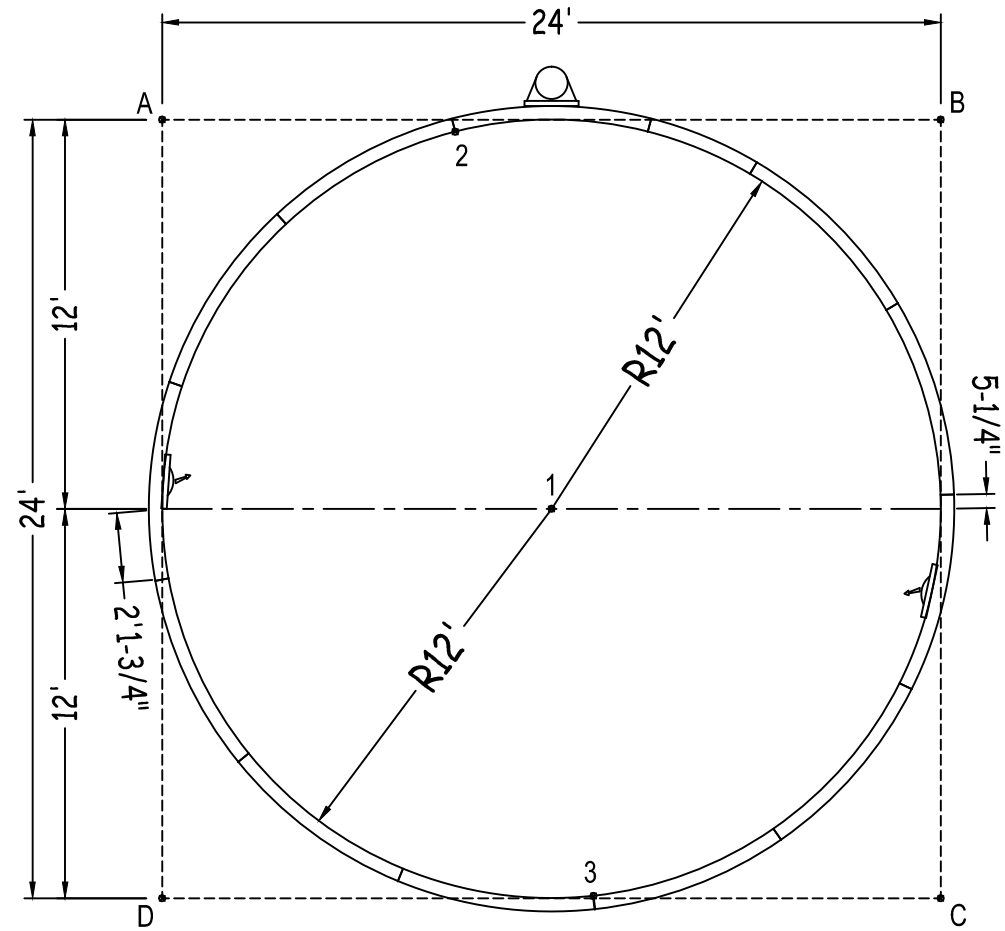


IN ACCORDANCE WITH ANSI/APSP/ICC-5 2011, THE INSTALLER IS RESPONSIBLE FOR PLACING ONE SKIMMER FOR EVERY 800 SQUARE FEET OF SURFACE AREA AND ONE RETURN FOR EVERY 300 SQUARE FEET OF SURFACE AREA.



|                               |  |                                 |                        |   |                                       |                          |   |                   |  |
|-------------------------------|--|---------------------------------|------------------------|---|---------------------------------------|--------------------------|---|-------------------|--|
|                               |  | <h2>ROUND 24-0 X 24-0</h2>      |                        |   |                                       | <h3>NON-DIVING POOL</h3> |   | <h3>WARNING!</h3> |  |
| <b>52" STEEL PANELS</b>       |  | PERIMETER: 75'-5"               | VOLUME (US Gal): 12400 |   | USE OF DIVING EQUIPMENT IS PROHIBITED |                          | FOR WARRANTY AND SAFETY PURPOSES:<br><i>Compression straps required</i><br>(NOTE: 4 straps per panel, both sides of panel)<br>Bolts must be used at every bolt hole location. |                   |  |
| DWG#: B5ROFBS2424-16          |  | SURFACE (ft <sup>2</sup> ): 452 | VOLUME (Liters): 46900 |   |                                       |                          |   |                   |  |
| KIT#: ROFBS2424               |  | LINER (ft <sup>2</sup> ): 452   | DATE: 1/1/2016         | DSR: 151  |                                       |                          |   |                   |  |
| COVER (ft <sup>2</sup> ): 676 |  | SCALE: 1/8" = 1'-0"             |                        | MEETS DEPTH AND SHAPE MINIMUM STANDARD ANSI/APSP/ICC-5 2011 |                                       |                          |   |                   |  |
|                               |  |                                 |                        |   |                                       |                          |   | SHEET: 1 OF 2     |  |

|                      |
|----------------------|
| Diagonals            |
| 2 To 3   23'-11 1/4" |



| Part number    | Description                          | Base |     | Option 1 |     |
|----------------|--------------------------------------|------|-----|----------|-----|
|                |                                      | QTY  | QTY | QTY      | QTY |
| RA0721440X     | 12'Rx6'                              |      |     | 9        | 7   |
| RA0721440*     | 12'Rx6' SKIMMER                      |      |     | 1        | 1   |
| RA0721440*     | 12'Rx6' RETURN                       |      |     | 2        | 2   |
| RA0481440X     | 12'Rx4'                              |      |     | -        | 1   |
| RA0411440X     | 12'0"Rx3'5"                          |      |     | 1        | 1   |
| RA0121440S     | 12'Rx1' STEP                         |      |     | -        | 2   |
| RA072102SC     | 6'0"X4" STEP CONNECTOR               |      |     | -        | 1   |
| Brace          | Brace                                |      |     | -        | 2   |
| IPC-BT52WCS-2  | COMPRESSION STRAP 2PC                |      |     | 26       | 30  |
| IPC-DRVSTK12G  | BRACE COMP D-STK 3"X24" 90D 12G      |      |     | -        | 2   |
| IPC-STKPK25    | REBAR STAKE 18" 25PC                 |      |     | 1        | 1   |
| IPC-HDWSTRT150 | BOLT STR 3/8-16X1" C/W NUT 150PC     |      |     | 1        | 2   |
| STP69X4P       | ACRYLIC STEP FRENCH CURVE 6' (48")   |      |     | -        | 1   |
| CYW-RA096144-1 | BT WHT, 8' 0" X 12' 0" RADIUS 1PC    |      |     | 9        | 0   |
| CYW-RA041144-1 | BT WHT 3' 5" X 12' 0" RADIUS 1PC     |      |     | 1        | 0   |
| CYW-CLIP-1     | BT COPING, CLIP                      |      |     | 12       | 0   |
| COP-TSPK100    | SCREW PACK, TEK #10 X 3/4 ( 100 X 1) |      |     | 1        | 0   |
| CYW-INSRT00PFT | BT COPING, WC TRK COVER PER FT       |      |     | 80       | 0   |

|   | A           | B           | C           | D           |
|---|-------------|-------------|-------------|-------------|
| 1 | 16'-11 3/4" | 16'-11 3/4" | 16'-11 3/4" | 16'-11 3/4" |
| 2 | 9'- 1/2"    | 14'-11 3/4" | 27'-11 3/4" | 25'-3 1/2"  |
| 3 | 27'-4 1/2"  | 26'-2 1/2"  | 10'-8 1/2"  | 13'-3 1/2"  |
| A | -           | 24'-0"      | 33'-11 1/4" | 24'-0"      |

ROUND 24-0 X 24-0

DWG #: B5ROFBS2424-16

DATE: 1/1/2016

SHEET: 2 OF 2