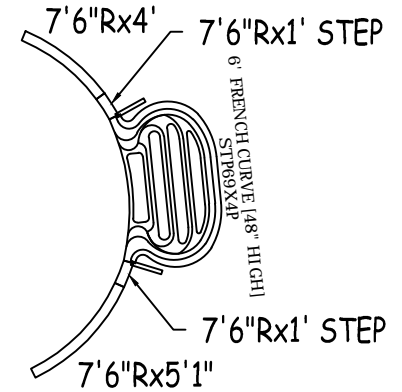
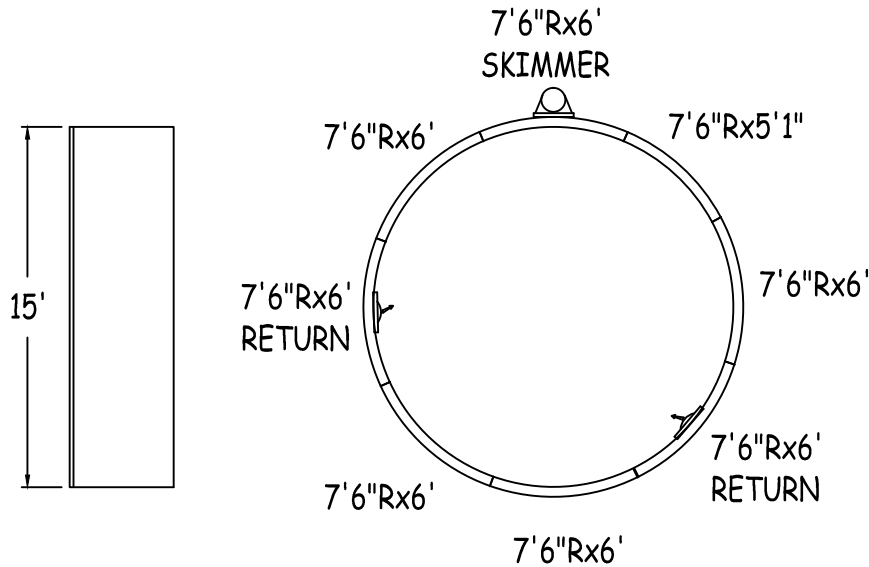
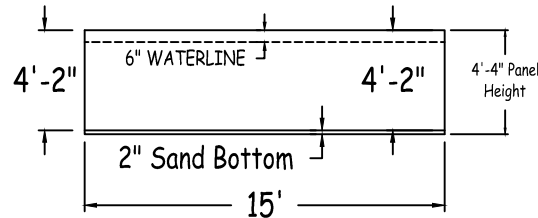


IN ACCORDANCE WITH ANSI/APSP/ICC-5 2011, THE INSTALLER IS RESPONSIBLE FOR PLACING ONE SKIMMER FOR EVERY 800 SQUARE FEET OF SURFACE AREA AND ONE RETURN FOR EVERY 300 SQUARE FEET OF SURFACE AREA.

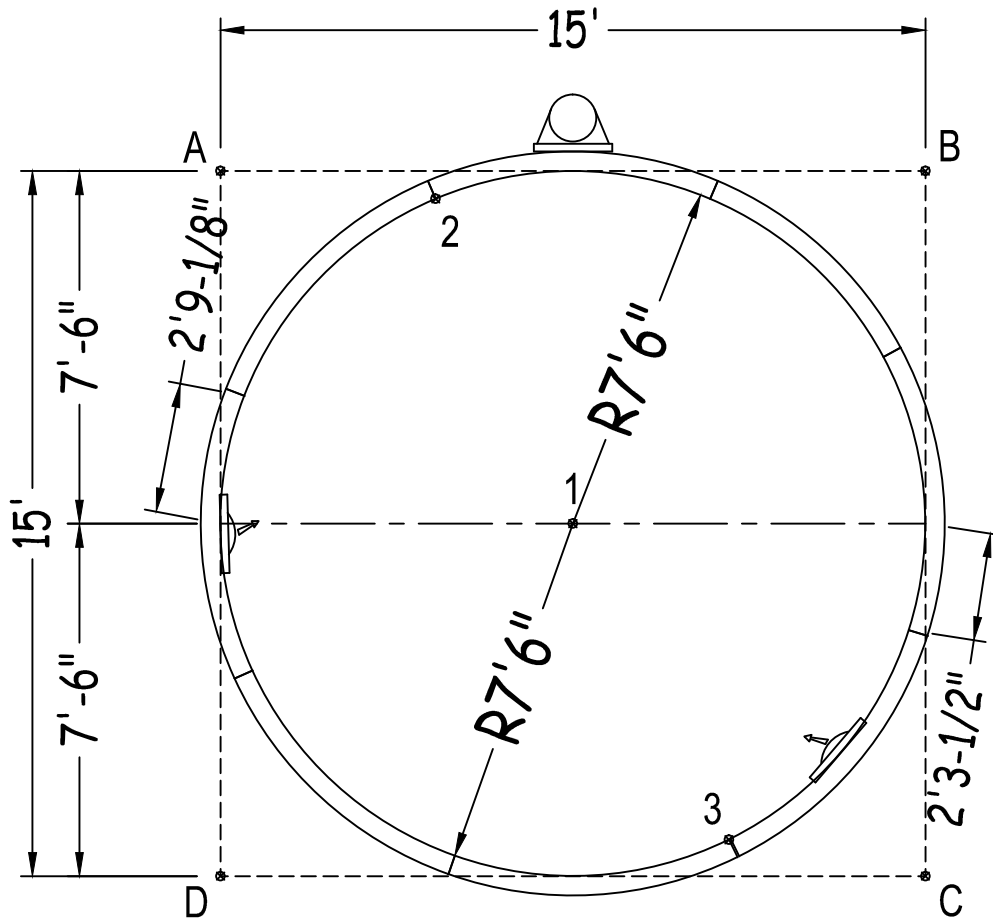


6' STEP OPTION



Bartop OG Pool System		ROUND 15-0 X 15-0		ALWAYS ENTER POOL 		NON-DIVING POOL USE OF DIVING EQUIPMENT IS PROHIBITED		WARNING! FOR WARRANTY AND SAFETY PURPOSES: <i>Compression straps required</i> (NOTE: 4 straps per panel, both sides of panel) Bolts must be used at every bolt hole location.	
52" STEEL PANELS	PERIMETER:	47'-1"	VOLUME (US Gal):	4800					
DWG#:	SURFACE (ft²):	177	VOLUME (Liters):	18200					
B5ROFBS1515-16	LINER (ft²):	177	DATE:	1/1/2016	DSR:	151			
KIT#:	ROFBS1515	COVER (ft²):	289	SCALE:	1/8" = 1'-0"				
							MEETS DEPTH AND SHAPE MINIMUM STANDARD ANSI/APSP/ICC-5 2011		SHEET: 1 OF 2

Diagonals
2 To 3 15'-0"



Part number	Description	Base	Option 1
		QTY	QTY
RA0720900X	7'6"Rx6'	4	2
RA0720900*	7'6"Rx6' SKIMMER	1	1
RA0720900*	7'6"Rx6' RETURN	2	2
RA0610900X	7'6"Rx5'1"	1	1
RA0480900X	7'6"Rx4'	-	1
RA0120900S	7'6"Rx1' STEP	-	2
RA072102SC	6'0"X4" STEP CONNECTOR	-	1
Brace	Brace	-	2
IPC-BT52WCS-2	COMPRESSION STRAP 2PC	16	20
IPC-DRVSTK12G	BRACE COMP D-STK 3"X24" 90D 12G	-	2
IPC-STKPK25	REBAR STAKE 18" 25PC	1	1
IPC-HDWSTRT150	BOLT STR 3/8-16X1" C/W NUT 150PC	1	1
STP69X4P	ACRYLIC STEP FRENCH CURVE 6' (48")	-	1
CYW-RA096090-1	BT WHT, 8' 0" X 7' 6" RADIUS 1PC	5	0
CYW-RA085090-1	BT WHT, 7' 1" X 7' 6" RADIUS 1PC	1	0
CYW-CLIP-1	BT COPING, CLIP	8	0
COP-TSPK100	SCREW PACK, TEK # 10 X 3/4 (100 X 1)	1	0
CYW-INSRT00PFT	BT COPING, WC TRK COVER PER FT	50	0

	A	B	C	D
1	10'-7 1/4"	10'-7 1/4"	10'-7 1/4"	10'-7 1/4"
2	4'-7 1/2"	10'-5 1/4"	17'-9 1/2"	15'-1 1/2"
3	17'-10 1/2"	14'-10"	4'-3"	10'-10 1/4"
A	-	15'-0"	21'-2 1/2"	15'-0"