

# TYPHOON

## SLIDE OWNERS MANUAL

**SR Smith™**



**CORPORATE HEADQUARTERS  
WESTERN SALES AND MANUFACTURING PLANT  
P.O. Box 400 • 1017 SW Berg Parkway  
Canby, Oregon 97013  
Phone: (503) 266-2231 • Fax: (503) 266-4334  
[www.srsmith.com](http://www.srsmith.com)**

## Table of Contents

<u>Topic</u>	<u>Page #</u>
SLIDE WARNING AND SAFETY SUMMARY.....	2
INTENDED USE INSTRUCTIONS.....	3
INSTALLED TYPHOON STRUCTURAL & INSTALLATION CHECKLIST.....	4
DAILY/WEEKLY MAINTENANCE OF THE TYPHOON.....	4
APPLICABLE STANDARDS AND CODES.....	5
ASSEMBLY AND INSTALLATION.....	5
DRAWINGS.....	5
SUBSEQUENT OWNERS.....	5
MANUFACTURER'S PLACEMENT INSTRUCTIONS.....	5
CLEANING INSTRUCTIONS.....	8

### SLIDE WARNING AND SAFETY SUMMARY



**DANGER – FAILURE TO FOLLOW THESE WARNINGS, INSTRUCTIONS AND THE OWNER'S MANUAL MAY RESULT IN SERIOUS INJURY OR DEATH**



### HEAD FIRST SLIDES ARE STRICTLY PROHIBITED

**TO REDUCE THE POSSIBILITY OF INJURY, IT IS NECESSARY THAT THE USER KNOW THAT THE CHIEF DANGER OF HEAD FIRST SLIDING IS SERIOUS SPINAL INJURY. INJURIES TO THE SPINE MAY RESULT IN TEMPORARY OR PERMANENT PARALYSIS OR EVEN DEATH. RESEARCH STUDIES HAVE SHOWN THAT YOU CANNOT RELY ON THE WATER TO SLOW YOU DOWN SUFFICIENTLY TO AVOID INJURY.**



- **READ AND FOLLOW ALL SAFETY RULES LISTED BELOW.**
- **MAKE SURE THAT EVERYONE WHO USES THE TYPHOON KNOWS AND FOLLOWS ALL RULES.**
- **CHILDREN MUST BE SUPERVISED BY AN ADULT AT ALL TIMES WHEN USING THE SLIDE.**

### **INTENDED USE INSTRUCTIONS**

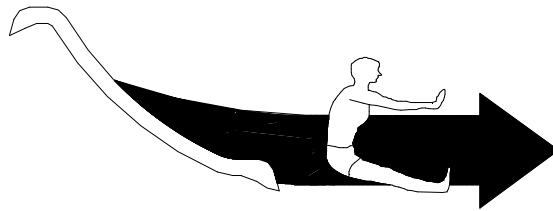
**THE TYPHOON™ SLIDE IS DESIGNED AND MANUFACTURED FOR INSTALLATION AND USE ON INGROUND SWIMMING POOLS ONLY. DO NOT INSTALL THE TYPHOON SLIDE ON ABOVE GROUND POOLS, HOUSEBOATS, BOAT DOCKS, FLOATING DOCKS OR PLATFORMS, OR OTHER BODIES OF WATER SUCH AS LAKES, PONDS, RIVERS, ETC. PROPER ASSEMBLY, INSTALLATION, USE, AND SUPERVISION IS ESSENTIAL FOR PROPER OPERATION AND TO REDUCE THE RISK OF SERIOUS INJURY OR DEATH.**

1. ONLY ONE PERSON ALLOWED ON THE SLIDE AT ANY GIVEN TIME.
2. SLIDE FEET FIRST ONLY AS SHOWN IN FIGURE 1. **DO NOT SLIDE HEAD FIRST**
3. HOLD ONTO HANDRAILS AT ALL TIMES WHEN USING THE LADDER.
4. NO ROUGHHOUSING OR HORSEPLAY ON SLIDE.
5. DO NOT JUMP OR DIVE FROM ANY PART OF THE SLIDE.
6. FAMILIARIZE YOURSELF WITH THE SHAPE OF THE POOL BOTTOM AND THE WATER DEPTH BEFORE YOU SLIDE. SLIDE FEET FIRST ONLY.
7. DO NOT SLIDE UNTIL ALL SUBMERGED OBSTACLES, SURFACE OBJECTS OR OTHER SWIMMERS ARE CLEAR OF THE SLIDER'S PATHWAY.
8. DO NOT USE THE SLIDE WHILE UNDER THE INFLUENCE OF ALCOHOL OR DRUGS.
9. DON'T SLIDE ALONE; USE THE BUDDY SYSTEM.
10. TAKE YOUR TIME IN PREPARING TO SLIDE. MOVE FORWARD SLOWLY AND GET YOURSELF POSITIONED PROPERLY BEFORE STARTING THE SLIDE.
11. ONLY PERSONS HEALTHY ENOUGH FOR WATER ACTIVITIES SHOULD USE THE SLIDE. PERSONS WITH MEDICAL CONDITIONS, INCLUDING PREGNANCY, SHOULD CONSULT THEIR DOCTOR BEFORE USING THE SLIDE. PERSONS WITH PHYSICAL DISABILITIES SHOULD USE CAUTION AND MAY REQUIRE ASSISTANCE.

12. DO NOT USE THE SLIDE IF ANY PART OF IT BECOMES DAMAGED, WEAKENED, OR BROKEN. HAVE THE SLIDE INSPECTED AND, IF NECESSARY, REPAIRED BY A POOL PROFESSIONAL, WHO IS FAMILIAR WITH WATER SLIDES BEFORE USING THE SLIDE. SEE INSTALLED SLIDES' STRUCTURAL & INSTALLATION CHECKLIST.
13. MAXIMUM WEIGHT CAPACITY FOR THE SLIDE IS 275 LB,

### **PROPER SLIDING POSITION**

Slide users must use the sitting slide position, facing forward, feet first as shown in Figure 1.



**Figure 1**

### **INSTALLED TYPHOON STRUCTURAL & INSTALLATION CHECKLIST**

After installation and prior to the first use of the TYPHOON and periodically (see DAILY/WEEKLY MAINTENANCE OF THE TYPHOON) thereafter the owner must:

1. Inspect the runway for visible cracks or tears.
2. Inspect the ladder for sharp edges, protrusions, cracks or tears.
3. Inspect ladder and pedestal mounting areas for loose or corroded fasteners.
4. Measure the following dimensions and compare with the Manufacturer's Placement Instructions on pages 5, 6, and 7.
  - Measure the depth of water in front of the slide exit. (4-6") min. depth at a distance of (4-6") from exit end of slide.
  - Measure the height of the slide runway exit above the water. (20" max.)
  - Measure the distance between the slide centerline and the edge of other pool equipment.
5. Observe the position of the exit of the slide as shown in Figures 2, 3 and 5 on pages 6 and 7.
6. Read, understand and enforce all safety and use instructions on the slide.

### **DAILY/WEEKLY MAINTENANCE OF THE TYPHOON**

1. When hosing down the deck, hose your Typhoon to wash away any dust, dirt or other debris, which may have accumulated.
2. Be sure that all connections are secure. Tighten hardware if necessary.
3. All polyethylene parts require little maintenance. Hose and wipe to clean. While cleaning slide, check and see that all nuts and bolts are tight and secure.
4. Inspect the runway for visible cracks or tears, sharp edges and protrusions.
5. Inspect all attachment points for loose or corroded fasteners.

6. Inspect all ladder tread or step-attachment points for evidence of shear, bending yield, or fatigue in the ladder steps, rails, or attachments means. Yield is evidenced by crystallization or fine cracking of the ladder tread and/or surface.
7. Inspect the ladder handrails for rigidity and attachment.

### **APPLICABLE STANDARDS AND CODES**

The installation of the Typhoon must comply with all applicable governmental and building codes.

### **ASSEMBLY AND INSTALLATION**

All S.R. Smith Typhoon slides are inspected prior to shipment from the factory. Proper assembly and installation is mandatory. Improper assembly and installation voids S.R. Smith's warranty and may affect the safety of the user. It is the installer's responsibility to ensure that the structural integrity of the concrete pad prior to installation of the slide.

### **DRAWINGS**

All drawings in this Slide Owner's Manual (Figures 1 through 5) are for illustration purposes only and are NOT TO SCALE.

### **SUBSEQUENT OWNERS**

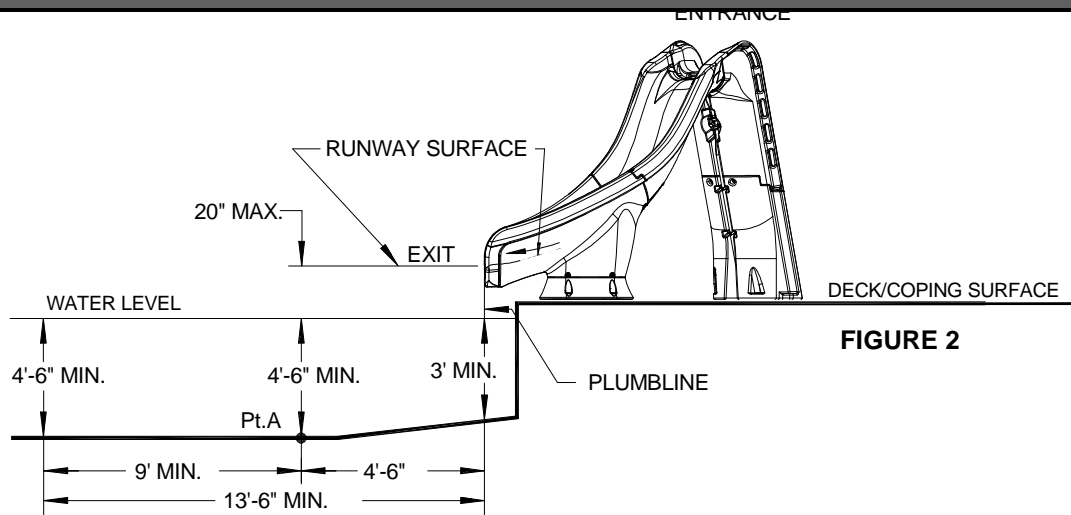
The Owner's Manual must remain with the owner of the slide. If the owner changes, the Owner's Manual shall be brought to the attention of the new owner.

### **MANUFACTURER'S PLACEMENT INSTRUCTIONS**

THE SLIDE OWNER MUST REVIEW THE MANUFACTURER'S PLACEMENT INSTRUCTIONS WITH THE INSTALLER TO ENSURE THAT THE MANUFACTURER'S INSTALLATION REQUIREMENTS HAVE BEEN MET.

PROPER ASSEMBLY, INSTALLATION, USE, AND SUPERVISION IS ESSENTIAL FOR PROPER OPERATION AND TO REDUCE THE RISK OF SERIOUS INJURY OR DEATH.

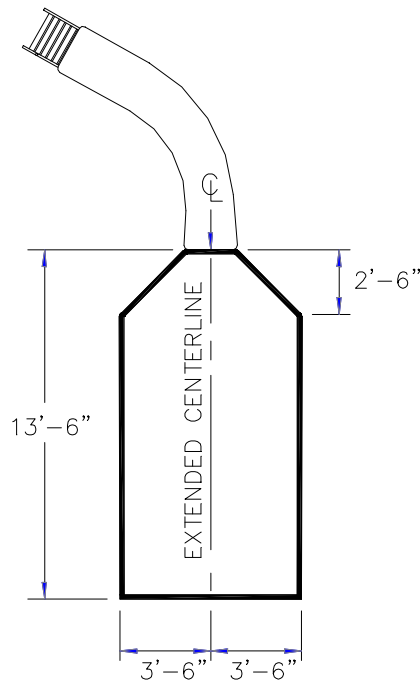
1. The critical dimensions for placement of the **Typhoon** slide are as shown in Figures 2 and 3.
  - A. The slide exit runway surface shall not exceed twenty inches (20") above the water surface as shown in Figure 2.
  - B. The slide shall be positioned so that all water flowing off the runway exit drops into the pool. Recommended overhang is (3") inches.
  - C. The minimum depth of water below the exit lip of the slide shall be three feet (3') and increases to four feet six inches (4'-6") at Pt. A, which is a distance of four feet six inches (4'-6") from the exit lip of the slide as shown in Figure 2.
  - D. A minimum depth of four feet six inches (4'-6") shall be maintained at a distance of nine feet (9') along the extended centerline of the slide from Pt. A. as shown in Figure 2.



**FIGURE 2**

2. A minimum clearance area in front of the slide shall be maintained at all times as follows:

The minimum clearance distance on either side of the extended centerline of the slide runway shall not be less than three feet six inches (3'-6") at a point no less than two feet six inches (2'-6") from the exit lip of the slide and extending a distance of thirteen feet six inches (13'-6") in front of the slide as shown in FIGURE 3.



**FIGURE 3**

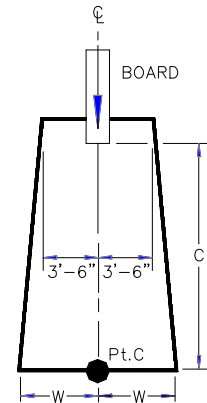
SLIDE  
MINIMUM CLEARANCE AREA

**3. SLIDE PLACEMENT INSTRUCTIONS FOR INSTALLATIONS ON POOLS WITH OTHER SLIDES AND/OR DIVING BOARDS**

- A. The minimum clearance area in front of a properly installed diving board on an inground swimming pool is a minimum distance of three feet six inches (3'-6") on either side of the board's centerline as shown in FIGURE 4. Pt. C extends a minimum distance of "C" from the tip end of the board as shown in FIGURE 4. The width distance "W" on either side of Pt. C is given in CHART 1 and shown in FIGURE 4.

**CHART 1**

BOARD MINIMUM CLEARANCE AREA		
POOL TYPE	"C" DIMENSION	"W" DIMENSION
I	14'-6"	5'-0"
II	14'-6"	6'-0"
III	16'-6"	6'-0"
IV	18'-6"	7'-6"
V	21'-0"	7'-6"



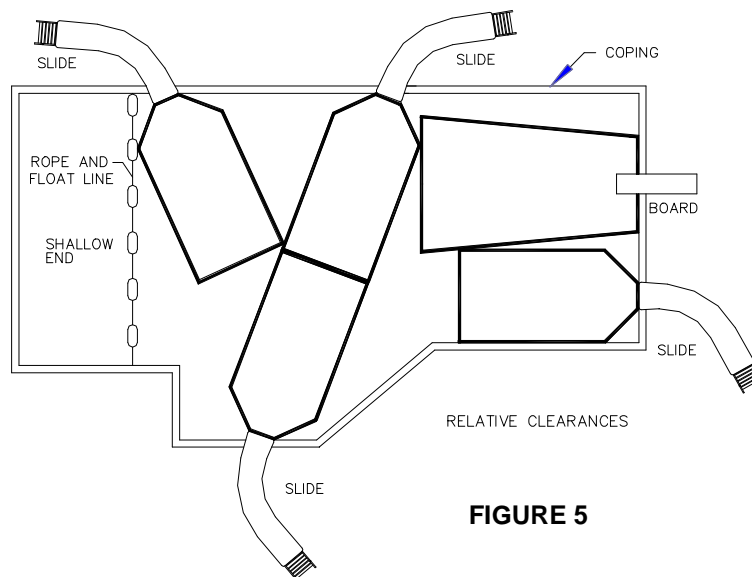
BOARD  
MINIMUM CLEARANCE AREA

See Article 5 contained in ANSI/APSP/ICC-5 2011 STANDARD FOR RESIDENTIAL INGROUND SWIMMING POOLS and refer to FIGURE 3 and Table 1 for Minimum Water Envelope Dimensions AB, BC and Width at Point C.

**FIGURE 4**

- "C" DIMENSION FOR BOARD = AB + BC  
 "W" DIMENSION FOR BOARD = WIDTH AT PT.C

- A. The minimum clearance area of a slide or diving board shall not intersect any coping or rope and float line as shown in FIGURE 5. The minimum clearance area of a slide or diving board may intersect each other provided that they are not used simultaneously.



**FIGURE 5**

## **CLEANING INSTRUCTIONS**

Use nonabrasive soap and water when possible. In addition, you may safely use the below listed products. Always try a test spot before applying to a large area.

Windex® With Ammonia  
Soft Scrub®  
Glass Plus®

Formula 409®  
Scrubfree  
Topjob®

Fantastik®  
Tackle®  
Tilex®

Always read the label instructions on any cleaner carefully before applying it to a *polyethylene* surface.

### **AVOID HARSH CHEMICALS AND DISINFECTANTS. DO NOT USE:**

Dow with Scrubbing Bubbles®  
Windex® With Vinegar

Lysol® Disinfectant  
White Cap®

Ajax® Cleanser  
Ajax® Liquid