

⚠️ WARNING

To reduce the risk of drowning, entrapment, falls, paralysis, electrocution, or other serious injury or death:

Dealer/Installer: Give manual to homeowner.

Installer: Read "Safe Installation" on p. 2 and all instructions before beginning. For proper assembly and installation, instructions must be followed completely.

Homeowner: Read "Safe Use" on back cover before using. Save these instructions.

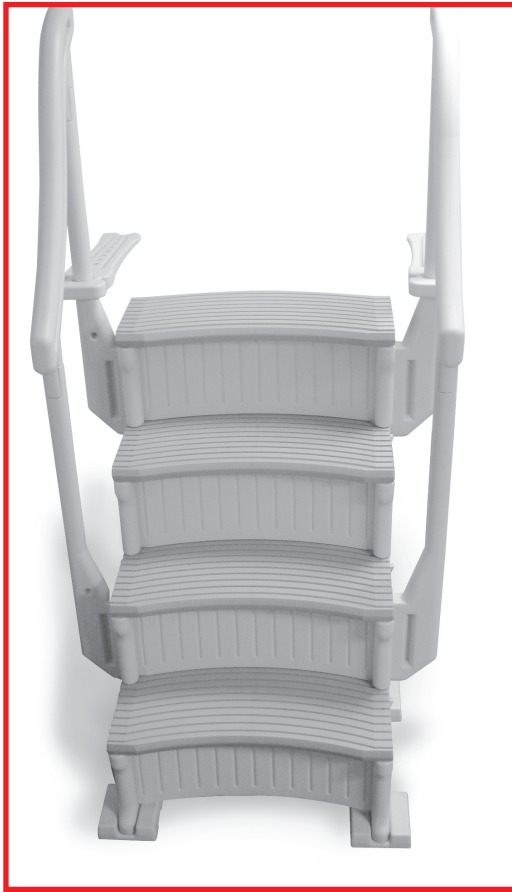
MODEL CCX-AG CURVE STEP / CURVE STEP SYSTEM

ASSEMBLY, INSTALLATION AND USE MANUAL

STEP MUST BE INSTALLED ON INSIDE OF POOL ONLY

WEIGHT LIMIT 400 LBS.

Assembly video available online: www.conferplastics.com



**Model CCX-AG
Curve Step**

Note: 40 lbs. of sand required!



**Model CCX-AG System
Curve Step System**

Note: 70 lbs. of sand required!



Made in the USA

CONFER
plastics inc.

U.S. patent 8,936,134

Model# CCX-AG - CURVE IN-GROUND POOL STEP ASSEMBLY INSTRUCTIONS

Safe Installation

⚠️ WARNING

To reduce the risk of electrocution, drowning, entrapment, falls, or other serious injury or death:

Check building codes/permitting. Consult your local Building Department before installation of your pool and equipment. Pool/equipment installation must comply with the codes of the authority having jurisdiction and may require permits (e.g., building, plumbing, electrical, zoning, etc.).

Use for intended purpose only

- Use only as swimming pool stairs.
- These steps are designed and manufactured for a specific pool wall height and/or deck of the pool - check product specification and the height of your pool.

Check that you have all required parts. Check the contents of the carton with the Parts list for this step system. All parts and hardware are required. If any parts are missing, **DO NOT attempt to assemble or install the steps.** Instead, call Toll Free U.S. - 800-635-3213 or visit our web site at www.conferladders.com for assistance.

Select an appropriate location - The step system must be located on a solid base.

Follow all instructions

- For stable, correct assembly and installation, all instructions must be followed completely and in the sequence shown.
- Follow the manufacturer's recommendations for the safe use of all hand tools and equipment used during installation.

Cordless drill only - no corded drills near pool. Use a cordless drill for assembly and installation. To reduce the risk of electrocution, NEVER use a corded drill in or around a pool.

Lift safely. When lifting awkward or heavy loads, have another person help you.

Double check after installation

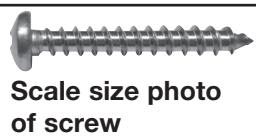
- Before using the product, after assembly and installation, go over the instructions and procedures again to make sure nothing has been overlooked.
- Make sure that safety labels are installed and legible.

Parts List

- 2 - Side panels [part A]
- 4 - Plugs [installed in parts A]
- 1 - Panel brace [part B]
- 4 - Curved risers [part C]
- 2 - Panel extensions [part D]
- 4 - Handrail posts [part E]
- 2 - Deck connectors [part F]
- 2 - Handrails [part G]
- 4 - Foot pads [part H]
- 4 - Treads [part I]

Hardware Pack

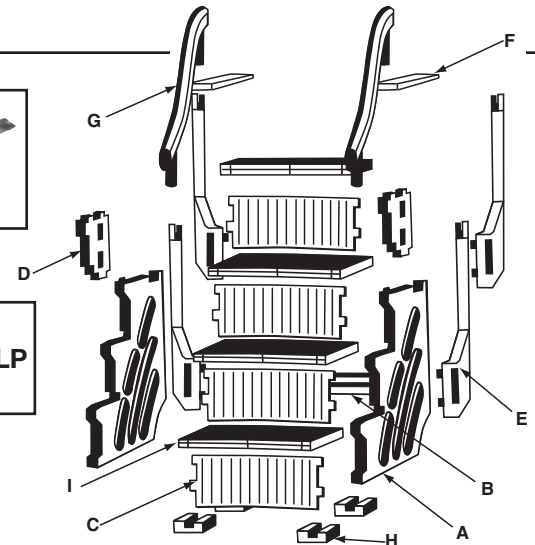
- 10 - #10 x 1-1/4" screws
- 2 - Labels-No Jumping/
Diving (pre-installed)



Needed for Assembly:

- Second person to assist
- Rubber mallet
- Funnel
- Cordless Drill
- 1/8" drill bit
- Phillips screwdriver
- Liquid soap or lubricant
- Sand - 40 lbs. for (Curve Step)
- 70 lbs. for (Curve System)

USE A LITTLE LIQUID SOAP ON TABS TO HELP WITH ASSEMBLY



Assembly Video
Available online at
www.conferplastics.com

Confer Plastics "CURVE" Above Ground Pool Step can be assembled with the treads curved inward or curved outward. Determine which direction you want the steps before starting assembly.

The CURVE Step requires 40 lbs. of sand to complete assembly. The Curve Step with optional add-on requires a total of 70 lbs. of sand. Choose a location close to the swimming pool for assembly. If you have a pool deck it is recommended to build the step on top of the deck to avoid lifting completed step over the pool wall.

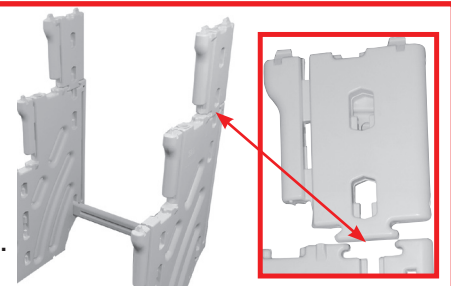
Step 1

Stand up both side panels [A]. Insert panel brace [B] with vent hole up into opening located on [A] then push down to lock in place.



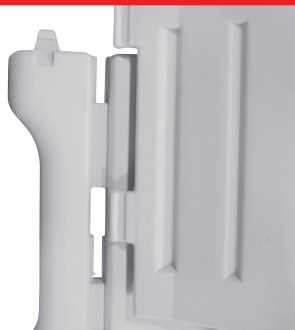
Step 2

Attach one of the panel extensions [D] to part [A] by sliding in from the side until flush. Repeat to attach the second part [D].



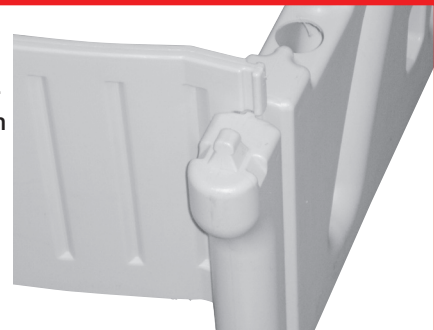
Step 3

With the thin edge of the curved riser [C] facing downward align the lower tabs with the openings on part [A] and push in.



Step 4

While holding lower tabs in part [A] align the top tabs then tap down with a rubber mallet until flush.



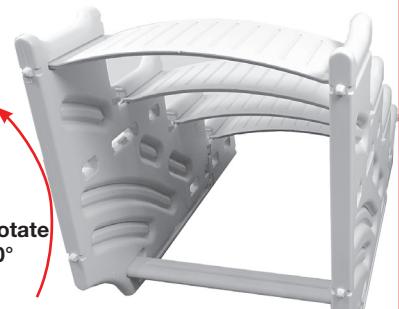
Step 5

Install the rest of the curved risers [C] by flexing the side panels [A] outward enough to insert part [C] tabs into part [A]. Tap into place with rubber mallet.



Step 6

Tilt the step backwards to expose all four of the rounded tabs on the bottom edges. Apply a little liquid soap on the [4] tabs to help with installing foot pads. Rotate 90°



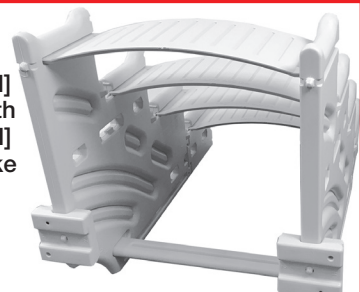
Step 7

Installing the Foot Pads [H]: If swimming pool has a flat bottom, all four foot pads [H] will be installed with the #1 facing up. If swimming pool has a slight taper towards the center, the back foot pads will be installed with #1 facing up and the front foot pads with #2 facing up.



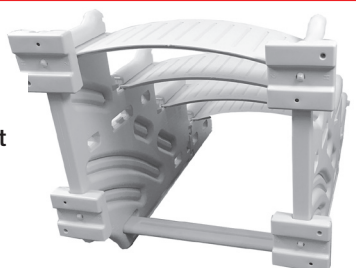
Step 8

The two back foot pads [H] will always be installed with #1 facing up. Place part [H] over the rounded tab, strike with a rubber mallet until seated onto the rounded tab. Repeat to install second part [H].



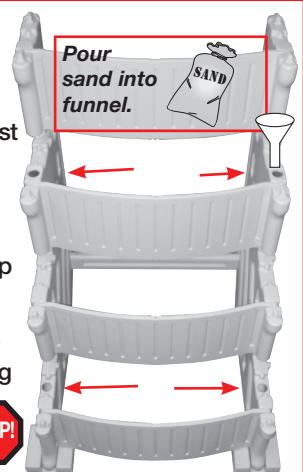
Step 9

Determine which side will be facing up on the front foot pads [H], # 1 for a flat bottom pool or # 2 for a pool with slight taper towards the center, install both parts [H].



Step 10

Each side panel [A] requires 20 lbs of sand split between the two fill holes. Sand is needed as ballast to hold step down in the water. Remove the caps installed in the panels then using a funnel fill the lower hole completely to the top with sand. Shake the panel to help settle the sand, lower hole must be completely filled. Pour what's left from the 20 lbs into the upper fill hole. Using provided caps, plug both the lower and upper fill holes. Repeat procedure to fill the second part [A].

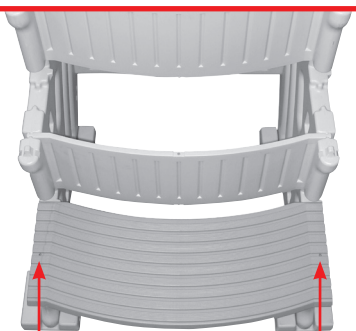


IF YOU HAVE THE CONFER CURVE STEP AND DO NOT HAVE THE ADD-ON CONTINUE WITH STEPS 10-18.

IF YOU HAVE THE CONFER CURVE STEP WITH THE OPTIONAL ADD-ON SKIP STEPS 11-18 AND GO TO STEP 19.

Step 11

Install the first tread [I] by placing over the tabs on the side panels as shown. While holding part [I] down on the side panels tap inward with a rubber mallet until locked in place.



Step 12

Repeat to install the second and third treads [I]. The fourth [Top] tread [I] will install slightly different than the previous three. Install this tread by placing over the four tabs located on the panel extensions [D]. Using a rubber mallet strike the top of the tread directly over the tabs until seated. All treads and risers must be installed in the same direction.



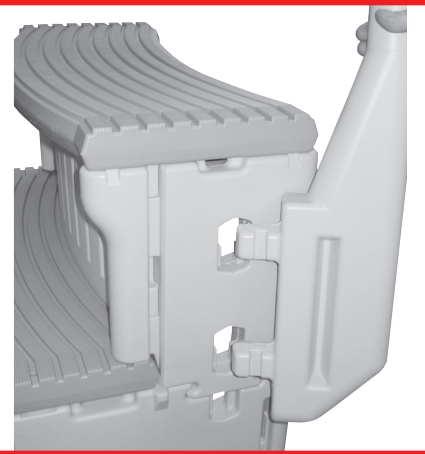
Step 13

To install the lower handrail posts [E] first locate the openings on part [A] just below the second tread marked with #4. Next insert the tabs on part [E] all the way into the openings then tap down with a rubber mallet until seated. Repeat to install the other part [E].



Step 14

To install the upper hand rail posts [E] first locate the openings on panel extension [D] marked with the #4. Next insert the tabs on part [E] all the way into the openings then tap down with a rubber mallet until seated. Repeat to install the other part [E].



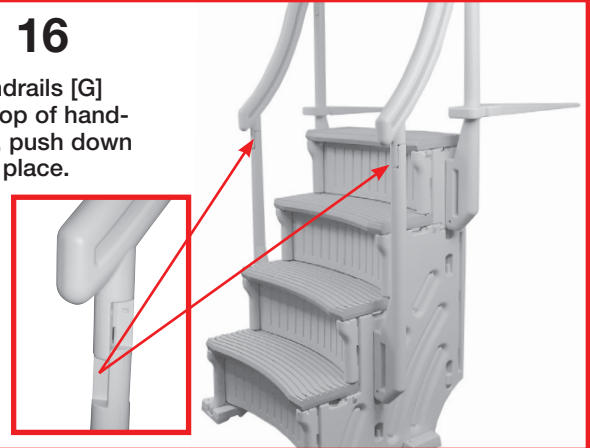
Step 15

Place one of the deck connectors [F] over the upper handrail post and slide down. Check to make sure side marked [This Side down] is facing downward. Repeat to install the second part [F].



Step 16

Place handrails [G] over the top of handrail posts, push down to lock in place.



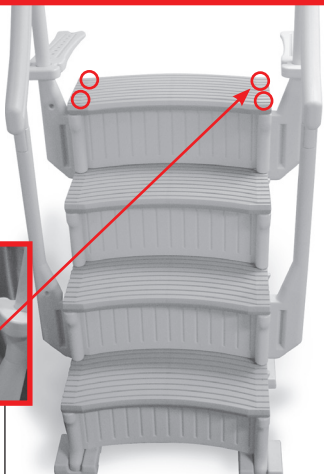
Step 16 (Cont.)

With your Curve step fully assembled locate the [4] recessed screw locations on the top tread. With a cordless drill, at each of these [4] locations drill a small 1/8" pilot hole completely through the tread and into the sidewall below.



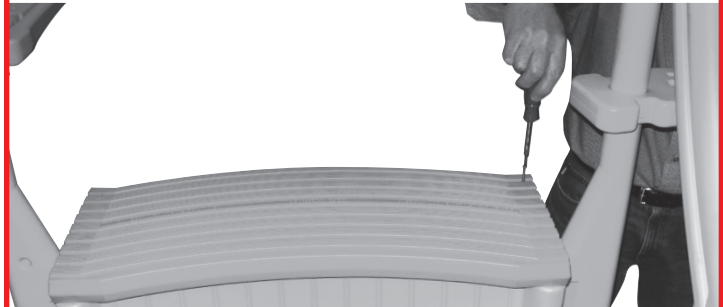
WARNING!

Using a corded drill near pool may result in electrocution.



Step 16 (Cont.)

Using a Phillips head screwdriver install one of the #10 x 1-1/4" stainless screws at each location [4 total]. **[HAND TIGHTEN ONLY]**



Step 17

With a helper place the pool step into swimming pool.

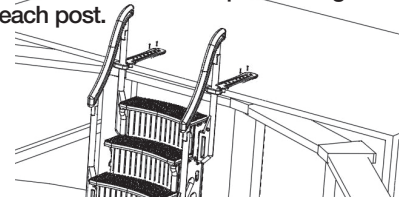
WARNING! Pool step will be heavy. Have additional help. Do not attempt to place the step by yourself.

Hold the step under water at a slight angle until all the air bubbles stop. Tilt the step in the other direction until all the air bubbles stop. Be patient this process will take a few minutes. If the pool step is still floating all of the air is not out. Lean step to the side again until air bubbles stop.



Step 18

With the step in place and positioned about 1 inch away from the inside of pool wall [back of step must not touch pool liner] extend the two deck connectors onto the pool deck and attach using 2-#10 x 1-1/4" self tapping screws in each connector. These screws should be spaced as far apart as possible using the holes provided in the deck connector. Next, attach the two deck connectors to the handrail posts using 2-#10 x 1-1/4" screws in each post.



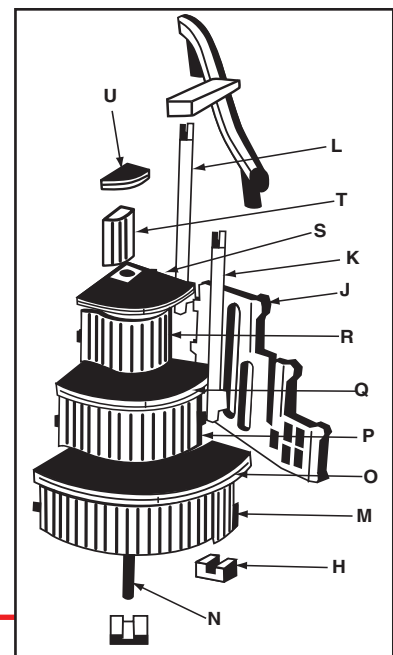
CONFER CURVE STEP ADD-ON INSTRUCTIONS

The curve add-on can only be installed on the right side of the step as you are facing it. The add-on requires an additional 30 lbs. of sand.

Additional Parts for Step Add-On

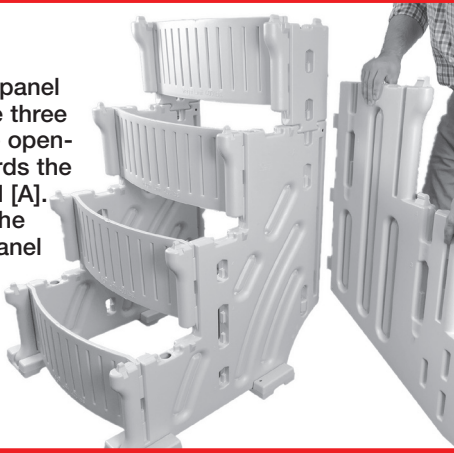
- | | |
|-----------------------------------|----------------------------------|
| 2 - Foot pads [Part H] | 1 - Medium flex riser [Part P] |
| 1 - Add-on panel [Part J] | 1 - Medium curved tread [Part Q] |
| 1 - Short hand rail post [Part K] | 1 - Small flex riser [Part R] |
| 1 - Long hand rail post [Part L] | 1 - Small curved tread [Part T] |
| 1 - Large flex riser [Part M] | 1 - Tread filler [Part U] |
| 1 - Tread support [Part N] | 1 - Tread extension [Part V] |
| 1 - Large curved tread [Part O] | 2 - Plugs [WG] |
| | (installed in add-on panel) |

USE A LITTLE LIQUID SOAP ON TABS TO HELP WITH ASSEMBLY



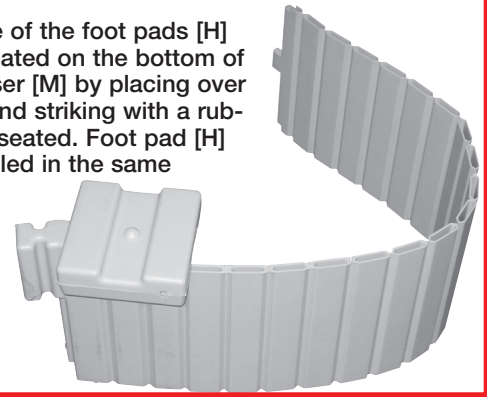
Step 19

Install the add-on panel [J] by inserting the three tabs into the three openings located towards the back of step panel [A]. Push the tabs all the way in, then tap panel down with a rubber mallet until seated in openings.



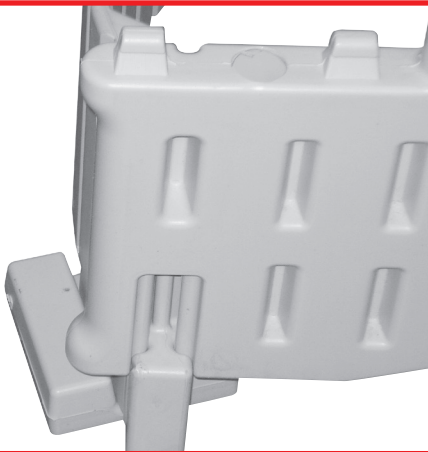
Step 20

Next, install one of the foot pads [H] onto the tab located on the bottom of the large flex riser [M] by placing over the raised tab and striking with a rubber mallet until seated. Foot pad [H] should be installed in the same direction as the front foot pads on base step. [Refer to steps 7 & 9].



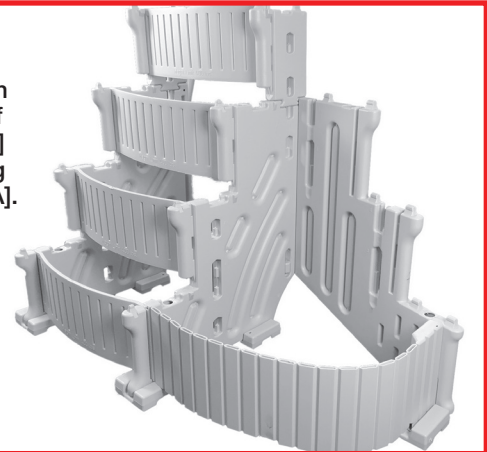
Step 21

Tilt the step back far enough to slide the end of large flex riser [M] up into the slot located on the front bottom edge of the add-on side panel.



Step 22

Insert the tab on the other end of the flex riser [M] into the opening on side panel [A].



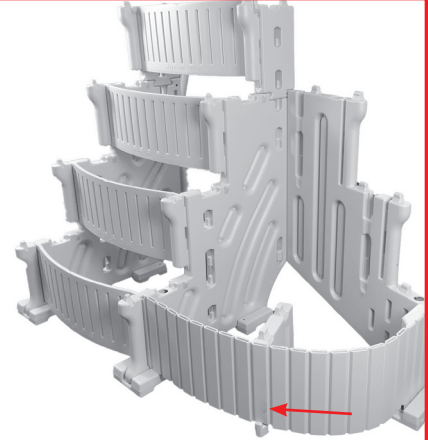
Step 23

Attach the last foot pad [H] on to the bottom of the tread support [N] by placing over the raised tab and striking with a rubber mallet until seated. Foot pad [H] should be installed in the same position as the front foot pads on base step.



Step 24

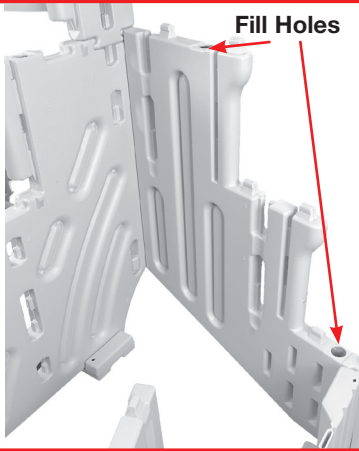
Locate the notch on the bottom edge of the large flex riser [M]. Slide the step support [N] under then rotate up making sure part is in notch.



CONFER CURVE STEP ADD-ON INSTRUCTIONS (Cont'd.)

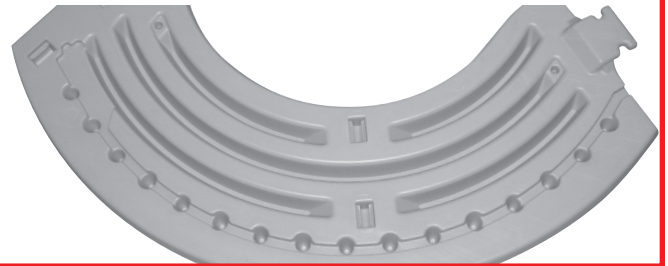
Step 25

At this time add 30 lbs of sand through the two fill holes located on the add-on panel. Using a funnel fill the lower hole completely to the top with sand. Shake the panel to help settle the sand. Lower hole must be completely filled. Pour what's left from the 30 lbs, into the upper hole. Using the provided caps plug both the lower and upper fill hole.



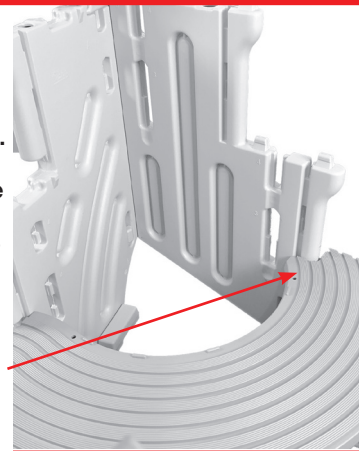
Step 26

The next step will require an extra set of hands to help align the large flex riser [M] and the tread support [N] into the groove and the openings located on the bottom side of the large curved tread [O].



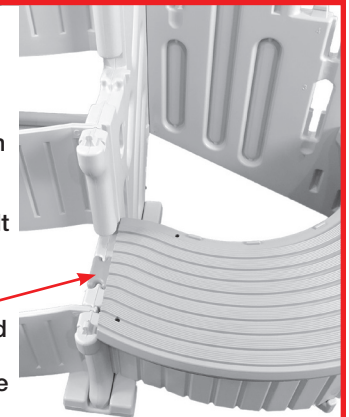
Step 27

It will be easier to start from the add-on panel side and work towards the base step. Start by placing the large curved tread in approximate position over the panels and flex riser. Next align the tabs on the add-on panel with the openings on the bottom side of large curved tread. Lock the tread down by lightly striking the top of tread directly over the tabs with rubber mallet.



Step 28

Position the other end of the tread over side panel [A]. Move the large flex riser [M] in or out until it slips up into the groove located on the bottom of the large curved tread [O]. It will also be necessary to align the tabs on the tread support [N] with the two openings on the bottom of the large curved tread. Once everything is in position tap down on the large tread to lock onto panel [A].



Step 29

Install the first tread [I] onto the base step by placing over the tabs on the side panels [A] as shown. While holding the tread down, tap inward with a rubber mallet until locked in place.



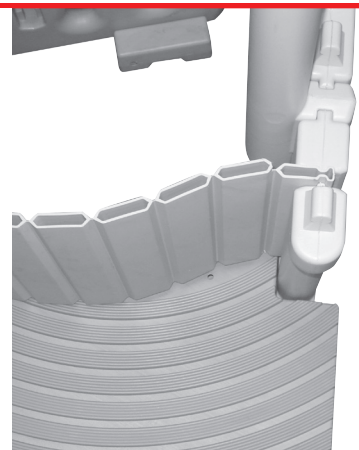
Step 30

Install the short handrail post [K] by sliding down into lower slot on add-on panel [J]; slot is marked with #4.



Step 31

Next, install the medium flex riser [P] by sliding down into the slot located on the add-on panel [J]. Insert the tab located on the end of flex riser into the opening on side panel [A]. Riser will rest on the top back of tread below.



Step 32

Place the medium curved tread [Q] over the short handrail post and down on to the tabs located on the add-on panel [J]. Move the riser in or out until it slips up into the groove on the bottom of the tread, using a rubber mallet strike the top of the tread until locked onto tabs.



CONFER CURVE STEP ADD-ON INSTRUCTIONS (Cont'd.)

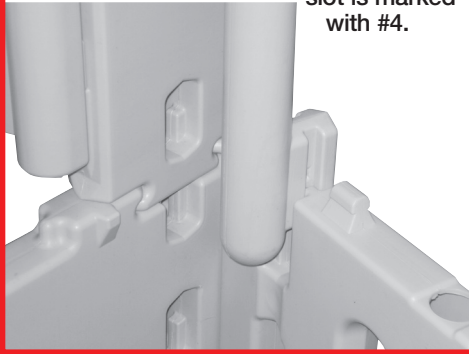
Step 33

Install the second tread [I] onto the base step



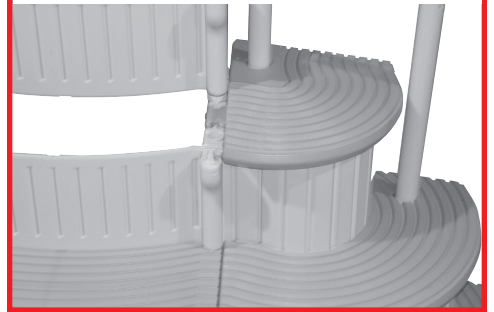
Step 34

Install the long handrail post [L] into the upper slot on add-on panel, slot is marked with #4.



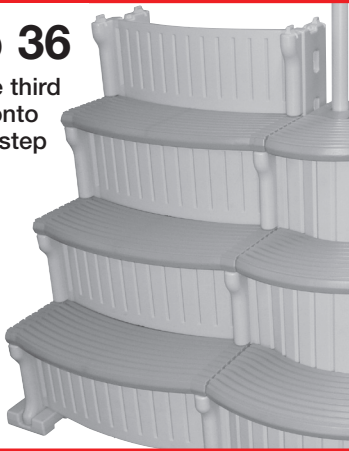
Step 35

Repeat step 31 to install the small flex riser [R] then place the small curved tread [S] over the handrail post and attach the same as step 32.



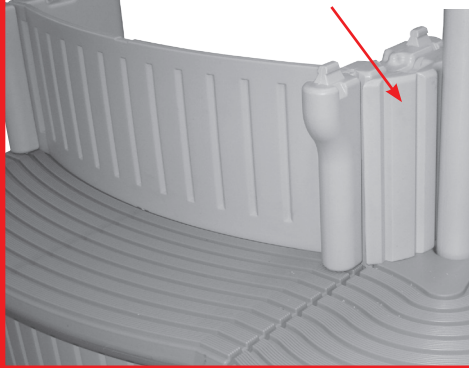
Step 36

Install the third tread [I] onto the base step



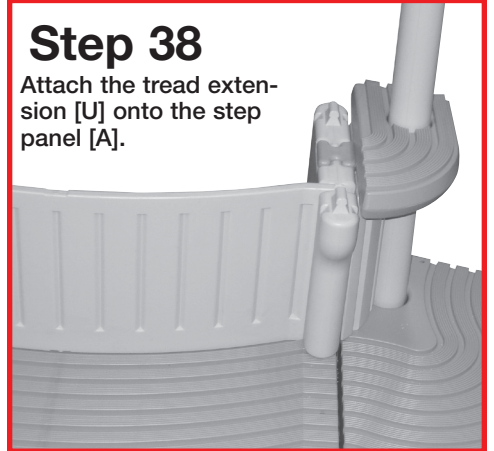
Step 37

Slide the tread filler [T] down between the hand rail post and panel.



Step 38

Attach the tread extension [U] onto the step panel [A].



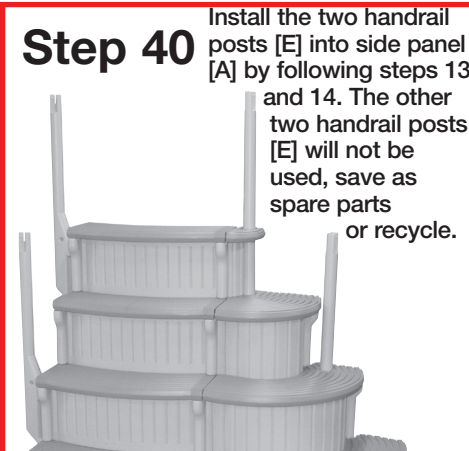
Step 39

The last [Top] tread installs different from the previous three. To install the last tread [I] place over the four tabs located on panel extension [D]. Using a rubber mallet strike the top of the tread directly over the tabs until seated.



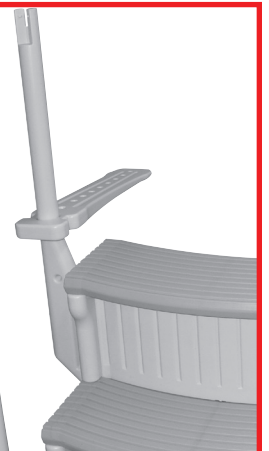
Step 40

Install the two handrail posts [E] into side panel [A] by following steps 13 and 14. The other two handrail posts [E] will not be used, save as spare parts or recycle.



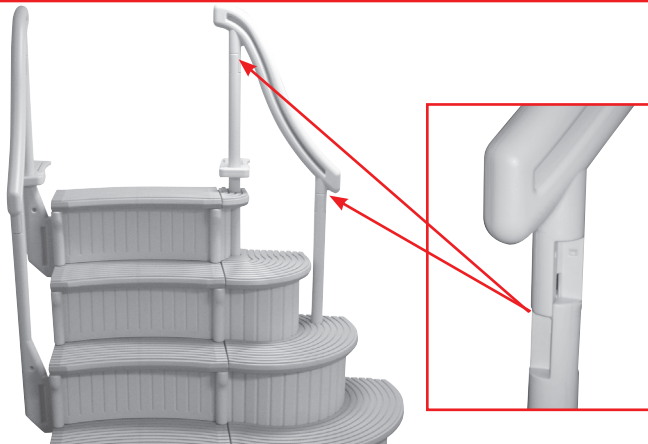
Step 41

Place one of the deck connectors [F] over the upper hand rail post and slide down. Check to make sure [This side down] is facing downward. Repeat to install the second part [F].



Step 42

Place handrails [G] over the top of handrail posts and push down to lock in place.



TO COMPLETE STEP AND PLACE IN POOL FOLLOW STEPS 16 THROUGH 18 ON PAGE 4 OF THE INSTRUCTIONS. NO ADDITIONAL SCREWS NEEDED FOR ADD-ON CURVED TREADS.

Safe Use

WARNING

To reduce the risk of drowning, entrapment, falls, paralysis, or other serious injury or death:

Use step system properly.

- **No diving or jumping from steps** - shallow water; risk of paralysis or death.
- **ONE PERSON ON THE LADDER/STAIR AT A TIME.**

Weight limit - 400 lbs maximum. Exceeding maximum weight may cause the stairs to fail.

Secure stairs when not in use. When pool is not in use, make sure gate is closed and locked.

Watch children at all times when they are in or around water to help prevent drowning.

BE SURE AND SAFE. The manufacturer **IS NOT** responsible for improper assembly Installation and use.

WEEKLY STEP MAINTENANCE -

To prevent algae growth it's important to have properly balanced pool water. Consult with your pool professional for proper choice of pool sanitizer. In addition, at least once a week, while inside swimming pool, use a garden hose with a good high pressure nozzle to spray under and behind the step system. The force of the water will flush out any dirt, allowing the pool filter to remove it from the water.

WINTERIZING / REMOVING STEP FROM POOL

PLAN AHEAD - PEOPLE WILL HAVE TO GET IN THE POOL TO MOVE OR REMOVE THE STEP.

When winterizing your pool, if you decide to leave the pool step in the pool be sure to detach the step from the pool deck and move the step towards the center of the pool and away from the pool wall. Remove any outside steps or ladders from the pool area to eliminate access to the pool.

If you decide to remove your pool step from the pool:

WARNING

Pool step will be heavy and must be lifted from within the pool. Have additional help if you move the step or choose to remove it from swimming pool. Do not attempt to do this by yourself - 2-3 people are required to move pool step safely. **DO NOT** lift pool step by handrails or handrail posts - they may detach, possibly resulting in a fall.

Remove any outside steps or ladders from the pool area to eliminate access to the pool.

To remove the step start by disconnecting both of the mounting brackets from the deck. From inside the pool position one person on each side of the step, grip the bottom of the side panels and carefully lift the step high enough to start tilting back on the pool deck. **DO NOT LIFT STEP BY HANDRAILS, POSTS OR TOP TREAD. THE HANDRAILS, POSTS AND TOP TREAD WILL NOT SUPPORT THE WEIGHT OF THE POOL STEP AND MAY DETACH OR BREAK, RESULTING IN A FALL OR INJURY.**

With most of the weight off the step, continue lifting and tilting back on to deck. Leave the step lying on it back edges for a couple of hours to drain the water. Once the water is drained stand the step up.

With the water drained your Confer step can be stored outside during the off season, it is not necessary to store inside.

CONFER PLASTICS INC. FIVE YEAR WARRANTY

Confer Plastics Inc. warrants their swimming pool ladders and steps to be free from defects in workmanship for five years from date of purchase.

DO NOT RETURN DEFECTIVE PART TO DEALER

E-MAIL CONFER PLASTICS AT: LADDERS@CONFERPLASTICS.COM
A PICTURE [S] OF DEFECTIVE PART, A BRIEF DESCRIPTION OF PROBLEM,
PROOF OF PURCHASE AND YOUR CONTACT INFORMATION.

INFORMATION MAY ALSO BE FAXED TO CONFER PLASTICS AT: 716-694-3102
OR MAILED TO THE ADDRESS BELOW. UPON REVIEW OF THE INFORMATION YOU
WILL BE NOTIFIED IF PART IS COVERED UNDER THE WARRANTY AND
THE SHIPPING/HANDLING CHARGES.

This warranty gives you specific legal rights, and you may also have other rights which may vary from state to state.

Confer Plastics Inc.
97 Witmer Road
North Tonawanda, N.Y. 14120-2421

MADE IN THE USA



CONFER
plastics inc.

97 Witmer Road
North Tonawanda, New York 14120-2421
Toll Free U.S. 800-635-3213
FAX 716-694-3102
www.conferladders.com