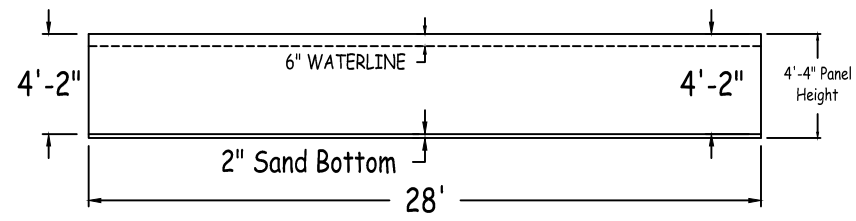
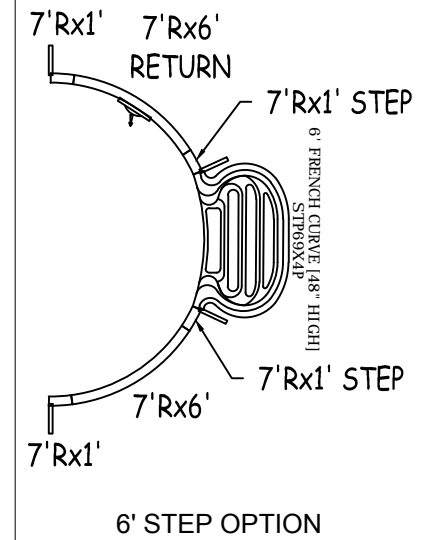
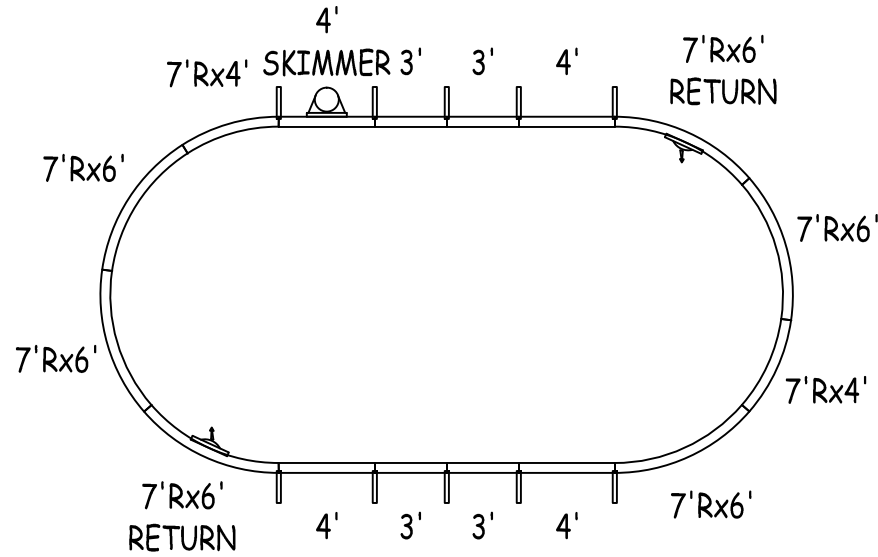
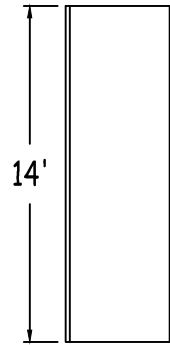
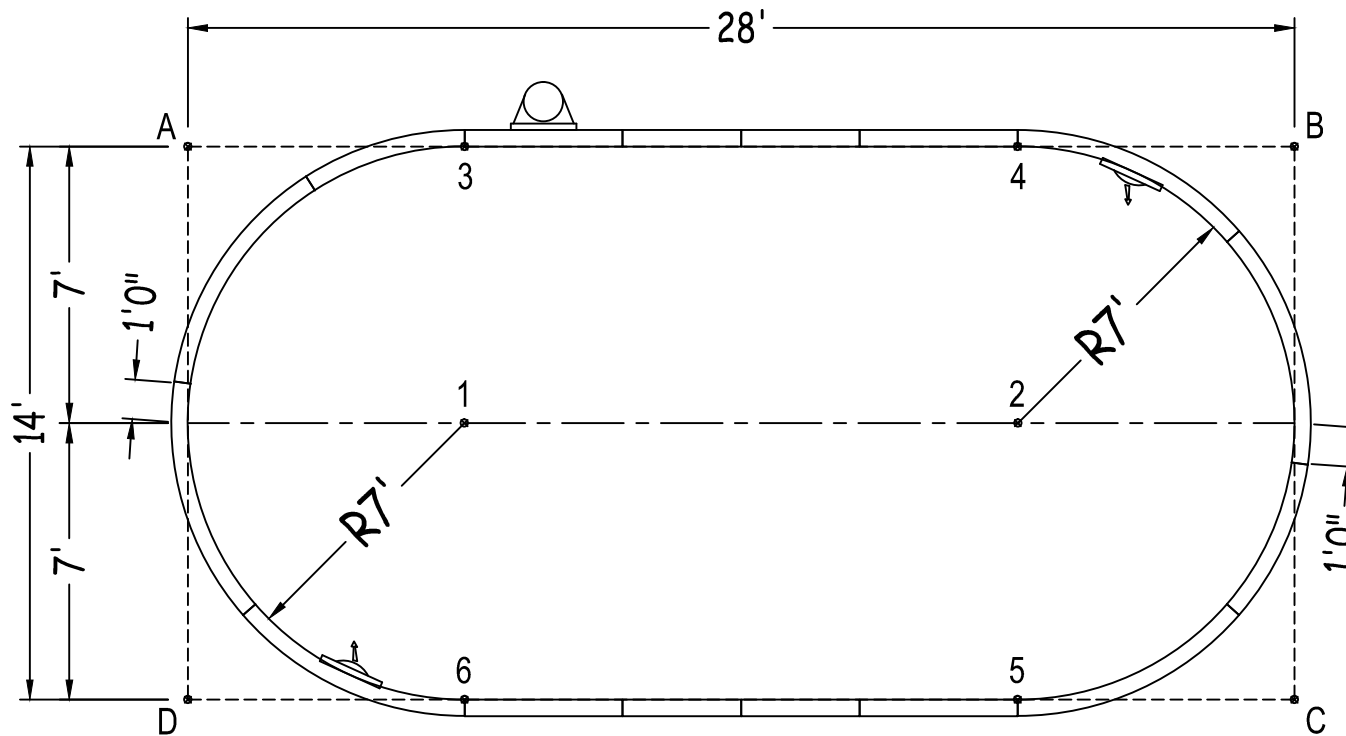


IN ACCORDANCE WITH ANSI/APSP/ICC-5 2011, THE INSTALLER IS RESPONSIBLE FOR PLACING ONE SKIMMER FOR EVERY 800 SQUARE FEET OF SURFACE AREA AND ONE RETURN FOR EVERY 300 SQUARE FEET OF SURFACE AREA.



Bartop OG Pool System	OVAL-FLAT BOTTOM 14-0 X 28-0				ALWAYS ENTER POOL Feet First MEETS DEPTH AND SHAPE MINIMUM STANDARD ANSI/APSP/ICC-5 2011	NON-DIVING POOL USE OF DIVING EQUIPMENT IS PROHIBITED	WARNING! FOR WARRANTY AND SAFETY PURPOSES: Compression straps required (NOTE: 4 straps per panel, both sides of panel) Bolts must be used at every bolt hole location.
	52" STEEL PANELS	PERIMETER: 72'-0"	VOLUME (US Gal): 9600	VOLUME (Liters): 36300			
DWG#: B5OVFBS1428-16	SURFACE (ft²): 350	LINER (ft²): 392	COVER (ft²): 480	SCALE: 1/8" = 1'-0"			
KIT#: OVFB1428	OVAL-FLAT BOTTOM						SHEET: 1 OF 2

Center To Center	
1 To 2	14'-0"
Diagonals	
3 To 4	14'-0"
3 To 5	19'-9 1/2"
3 To 6	14'-0"
4 To 5	14'-0"
4 To 6	19'-9 1/2"
5 To 6	14'-0"



Part number	Description	Base / Option 1	
		QTY	QTY
ST0480000X	4'	3	3
ST0480000*	4' SKIMMER	1	1
ST0360000X	3'	4	4
RA0720840X	7'Rx6'	4	3
RA0720840*	7'Rx6' RETURN	2	2
RA0480840X	7'Rx4'	2	1
RA0120840X	7'Rx1'	-	2
RA0120840S	7'Rx1' STEP	-	2
RA072102SC	6'0"X4" STEP CONNECTOR	-	1
Brace	Brace	10	12
IPC-DRVSTK12G	BRACE COMP D-STK 3"X24" 90D 12G	10	12
IPC-BT52WCS-2	COMPRESSION STRAP 2PC	32	38
IPC-STKPK25	REBAR STAKE 18" 25PC	2	2
IPC-HDWSTRT150	BOLT STR 3/8-16X1" C/W NUT 150PC	2	2
STP69X4P	ACRYLIC STEP FRENCH CURVE 6' (48")	-	1
CYW-CLIP-1	Coping Clip	12	0
COP-TSPK100	Tek Screw (100/PKG)	1	0
CYW-ST120000-1	BT WHT 10' 0" STRAIGHT 1PC	2	0
CYW-ST048000-1	BT WHT 4' 0" STRAIGHT 1PC	2	0
CYW-RA096084-1	BT WHT, 8' 0" X 7' 0" RADIUS 1PC	4	0
CYW-RA072084-1	BT WHT, 6' 0" X 7' 0" RADIUS 1PC	2	0
CYW-INSRT00PFT	BT COPING, WC TRK COVER PER FT	80	0

	A	B	C	D
1	9'-10 3/4"	22'-1 3/4"	22'-1 3/4"	9'-10 3/4"
2	22'-1 3/4"	9'-10 3/4"	9'-10 3/4"	22'-1 3/4"
3	7'-0"	21'-0"	25'-3"	15'-7 3/4"
4	21'-0"	7'-0"	15'-7 3/4"	25'-3"
5	25'-3"	15'-7 3/4"	7'-0"	21'-0"
6	15'-7 3/4"	25'-3"	21'-0"	7'-0"
A	-	28'-0"	31'-3 3/4"	14'-0"

OVAL-FLAT BOTTOM 14-0 X 28-0

DWG #: B5OVFBS1428-16

DATE: 1/1/2016

SHEET: 2 OF 2