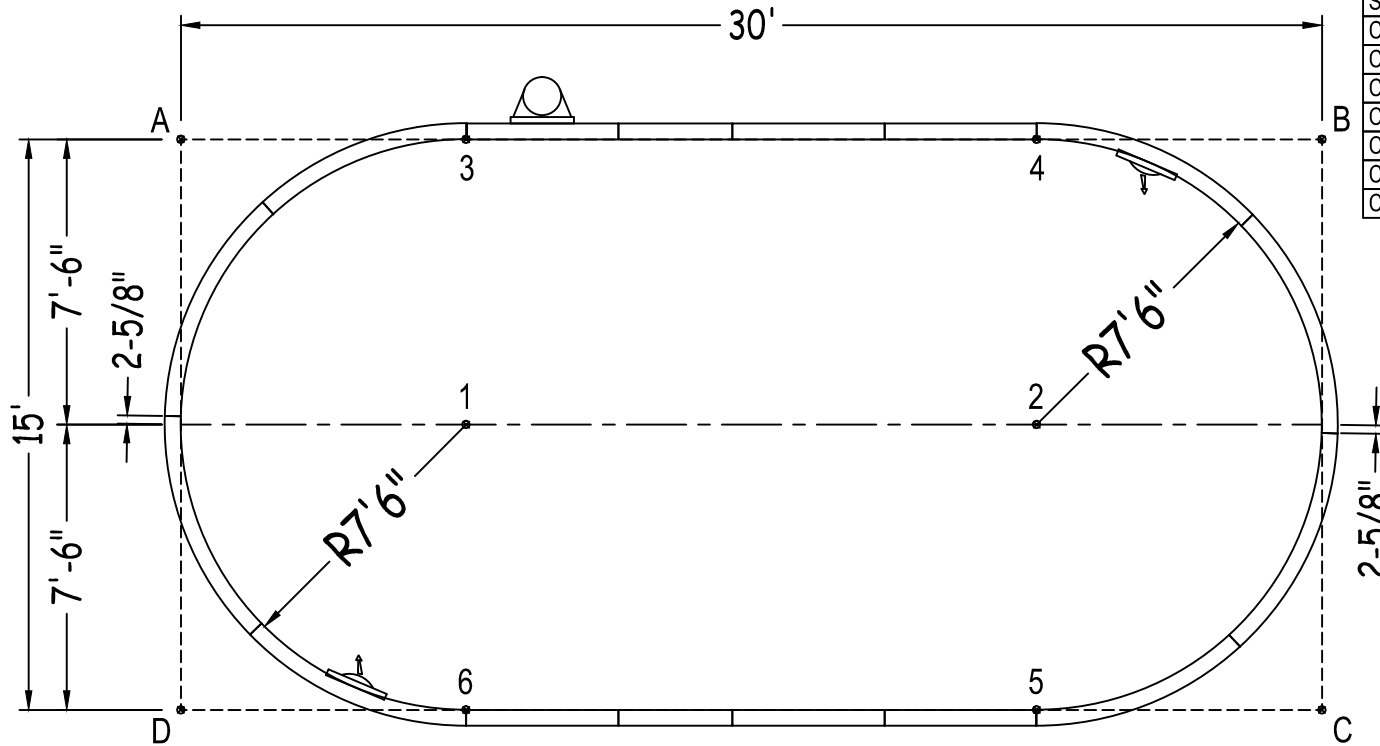


| Center To Center | |
|------------------|------------|
| 1 To 2 | 15'-0" |
| Diagonals | |
| 3 To 4 | 15'-0" |
| 3 To 5 | 21'-2 1/2" |
| 3 To 6 | 15'-0" |
| 4 To 5 | 15'-0" |
| 4 To 6 | 21'-2 1/2" |
| 5 To 6 | 15'-0" |

| Part number | Description | Base | | Option 1 | |
|----------------|------------------------------------|------|-----|----------|-----|
| | | QTY | QTY | QTY | QTY |
| ST0480000X | 4' | 5 | 5 | | |
| ST0480000* | 4' SKIMMER | 1 | 1 | | |
| ST0360000X | 3' | 2 | 2 | | |
| RA0720900X | 7'6"Rx6' | 4 | 3 | | |
| RA0720900* | 7'6"Rx6' RETURN | 2 | 2 | | |
| RA0670900X | 7'6"Rx5'7" | 2 | 1 | | |
| RA0210900X | 7'6"Rx1'9" | - | 2 | | |
| RA0120900S | 7'6"Rx1' STEP | - | 2 | | |
| RA072102SC | 6'0"X4" STEP CONNECTOR | - | 1 | | |
| Brace | Brace | 10 | 12 | | |
| IPC-DRVSTK12G | BRACE COMP D-STK 3"X24" 90D 12G | 10 | 12 | | |
| IPC-BT52WCS-2 | COMPRESSION STRAP 2PC | 32 | 38 | | |
| IPC-STKPK25 | REBAR STAKE 18" 25PC | 2 | 2 | | |
| IPC-HDWSTRT150 | BOLT STR 3/8-16X1" C/W NUT 150PC | 2 | 2 | | |
| STP69X4P | ACRYLIC STEP FRENCH CURVE 6' (48") | - | 1 | | |
| CYW-CLIP-1 | Coping Clip | 12 | 0 | | |
| COP-TSPK100 | Tek Screw (100/PKG) | 1 | 0 | | |
| CYW-ST120000-1 | BT WHT 10' 0" STRAIGHT 1PC | 2 | 0 | | |
| CYW-ST060000-1 | BT WHT 5' 0" STRAIGHT 1PC | 2 | 0 | | |
| CYW-RA096090-1 | BT WHT, 8' 0" X 7' 6" RADIUS 1PC | 4 | 0 | | |
| CYW-RA091090-1 | BT WHT, 7' 7" X 7' 6" RADIUS 1PC | 2 | 0 | | |
| CYW-INSRT00PFT | BT COPING, WC TRK COVER PER FT | 80 | 0 | | |



| | A | B | C | D |
|---|------------|------------|------------|------------|
| 1 | 10'-7 1/4" | 23'-8 1/2" | 23'-8 1/2" | 10'-7 1/4" |
| 2 | 23'-8 1/2" | 10'-7 1/4" | 10'-7 1/4" | 23'-8 1/2" |
| 3 | 7'-6" | 22'-6" | 27'- 1/2" | 16'-9 1/4" |
| 4 | 22'-6" | 7'-6" | 16'-9 1/4" | 27'- 1/2" |
| 5 | 27'- 1/2" | 16'-9 1/4" | 7'-6" | 22'-6" |
| 6 | 16'-9 1/4" | 27'- 1/2" | 22'-6" | 7'-6" |
| A | - | 30'-0" | 33'-6 1/2" | 15'-0" |

OVAL-FLAT BOTTOM 15-0 X 30-0

DWG #: B5OVFBS1530-16

DATE: 1/1/2016

SHEET: 2 OF 2