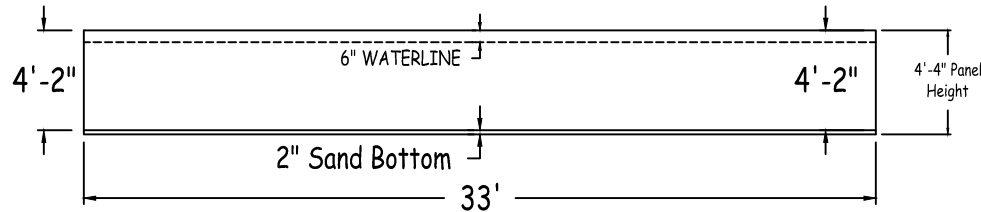
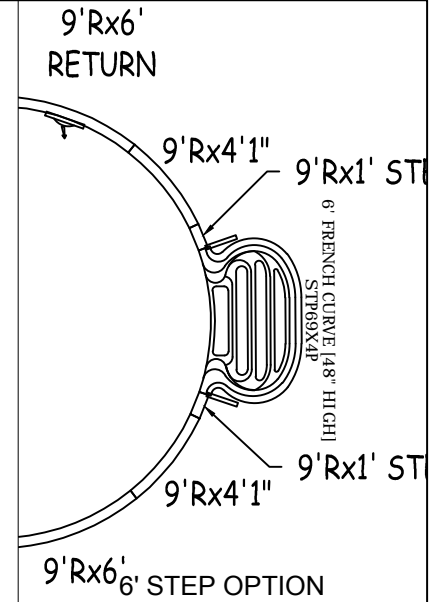
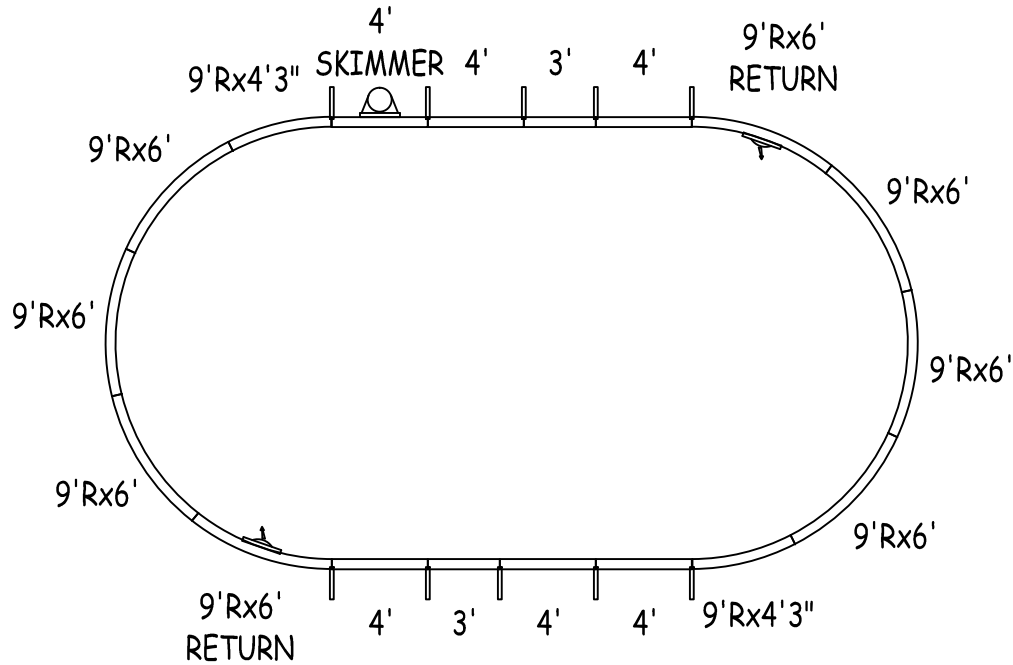
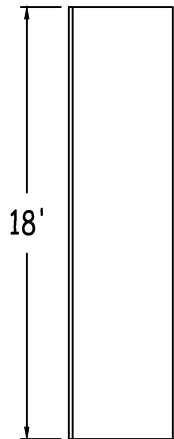


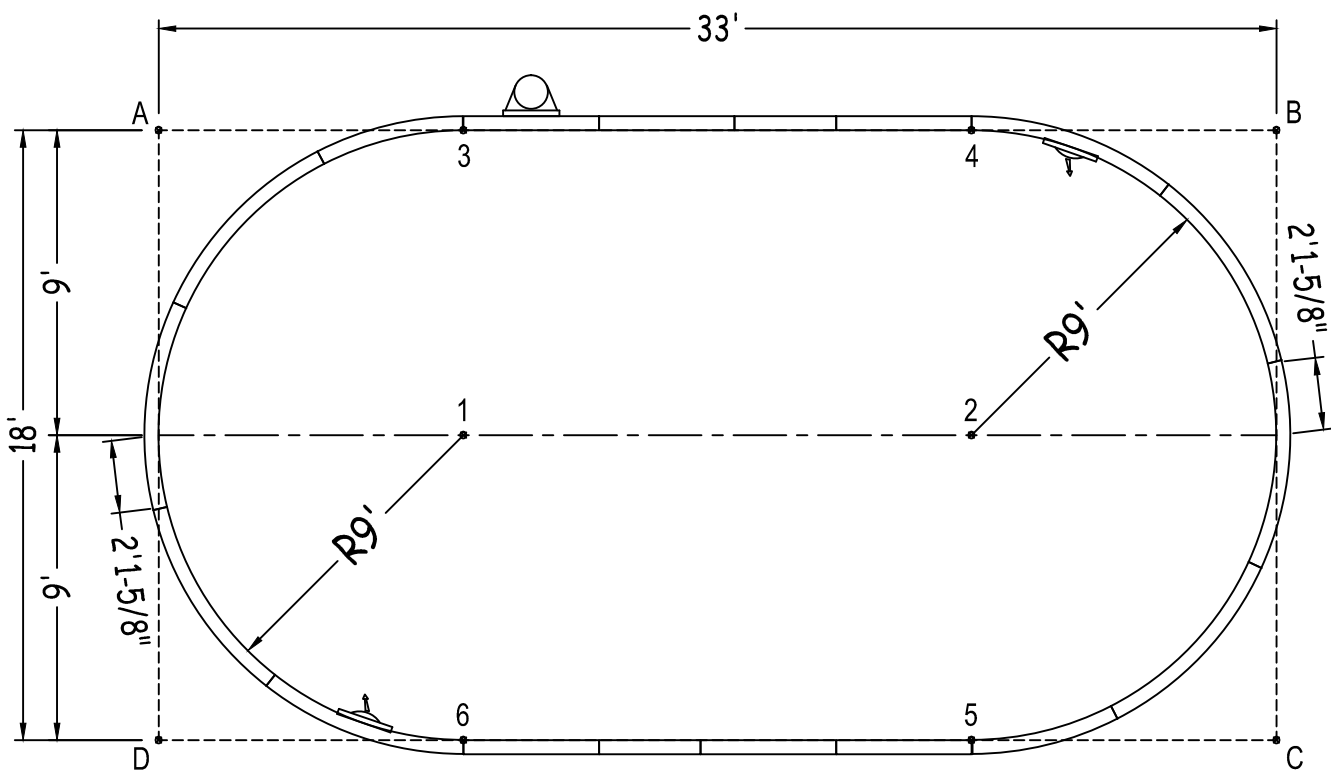
IN ACCORDANCE WITH ANSI/APSP/ICC-5 2011, THE INSTALLER IS RESPONSIBLE FOR PLACING ONE SKIMMER FOR EVERY 800 SQUARE FEET OF SURFACE AREA AND ONE RETURN FOR EVERY 300 SQUARE FEET OF SURFACE AREA.



Bartop OG Pool System		OVAL-FLAT BOTTOM 18-0 X 33-0				ALWAYS ENTER POOL 		NON-DIVING POOL		WARNING! FOR WARRANTY AND SAFETY PURPOSES: <i>Compression straps required</i> (NOTE: 4 straps per panel, both sides of panel) <i>Bolts must be used at every bolt hole location.</i>	
52" STEEL PANELS		PERIMETER:	86'-7"	VOLUME (US Gal):	14400		USE OF DIVING EQUIPMENT IS PROHIBITED				
DWG#: B5OVFBS1833-16		SURFACE (ft ²):	524	VOLUME (Liters):	54500						
KIT#: OVFBS1833		LINER (ft ²):	594	DATE:	1/1/2016	DSR:	160				
		COVER (ft ²):	700	SCALE:	1/8" = 1'-0"						
OVAL-FLAT BOTTOM								MEETS DEPTH AND SHAPE MINIMUM STANDARD ANSI/APSP/ICC-5 2011		SHEET: 1 OF 2	

Center To Center	
1 To 2	15'-0"
Diagonals	
3 To 4	15'-0"
3 To 5	23'-5 1/4"
3 To 6	18'-0"
4 To 5	18'-0"
4 To 6	23'-5 1/4"
5 To 6	15'-0"

Part number	Description	Option 1	
		Base	QTY
ST0480000X	4'	5	5
ST0480000*	4' SKIMMER	1	1
ST0360000X	3'	2	2
RA0721080X	9'Rx6'	6	4
RA0721080*	9'Rx6' RETURN	2	2
RA0511080X	9'Rx4'3"	2	1
RA0491080X	9'Rx4'1"	-	2
RA0121080S	9'Rx1' STEP	-	2
RA072102SC	6'0"X4" STEP CONNECTOR	-	1
Brace	Brace	10	12
IPC-DRVSTK12G	BRACE COMP D-STK 3"X24" 90D 12G	10	12
IPC-BT52WCS-2	COMPRESSION STRAP 2PC	36	40
IPC-STKPK25	REBAR STAKE 18" 25PC	2	2
IPC-HDWSTRT150	BOLT STR 3/8-16X1" C/W NUT 150PC	2	2
STP69X4P	ACRYLIC STEP FRENCH CURVE 6' (48")	-	1
CYW-CLIP-1	Coping Clip	14	0
COP-TSPK100	Tek Screw (100/PKG)	1	0
CYW-ST120000-1	BT WHT 10' 0" STRAIGHT 1PC	2	0
CYW-ST060000-1	BT WHT 5' 0" STRAIGHT 1PC	2	0
CYW-RA096108-1	BT WHT, 8' 0" X 9' 0" RADIUS 1PC	6	0
CYW-RA051108-1	BT WHT, 4' 3" X 9' 0" RADIUS 1PC	2	0
CYW-INSRT00PFT	BT COPING, WC TRK COVER PER FT	90	0



	A	B	C	D
1	12'-8 3/4"	25'-7 1/2"	25'-7 1/2"	12'-8 3/4"
2	25'-7 1/2"	12'-8 3/4"	12'-8 3/4"	25'-7 1/2"
3	9'-0"	24'-0"	30'-0"	20'-1 1/2"
4	24'-0"	9'-0"	20'-1 1/2"	30'-0"
5	30'-0"	20'-1 1/2"	9'-0"	24'-0"
6	20'-1 1/2"	30'-0"	24'-0"	9'-0"
A	-	33'-0"	37'-7"	18'-0"

OVAL-FLAT BOTTOM 18-0 X 33-0

DWG #: B5OVFBS1833-16

DATE: 1/1/2016

SHEET: 2 OF 2