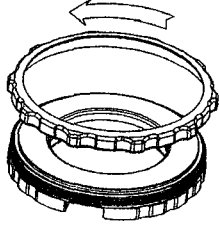
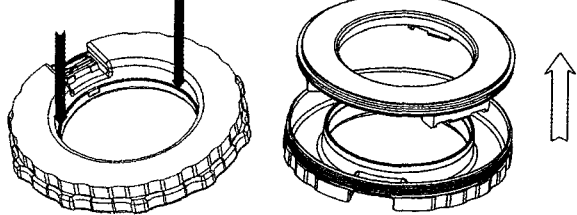
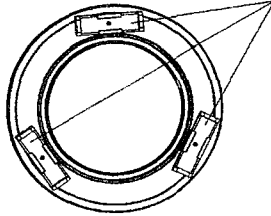
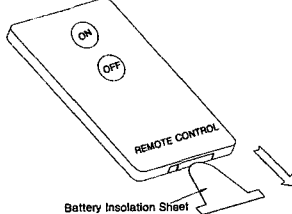
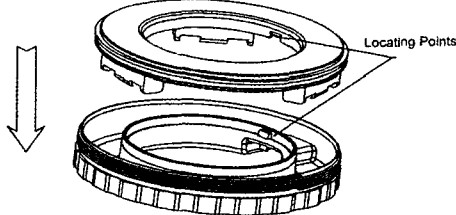
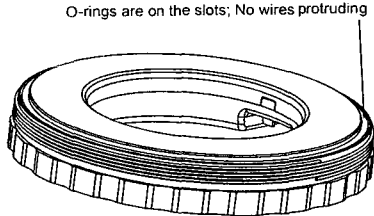
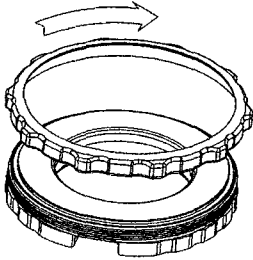


INSTALLATION

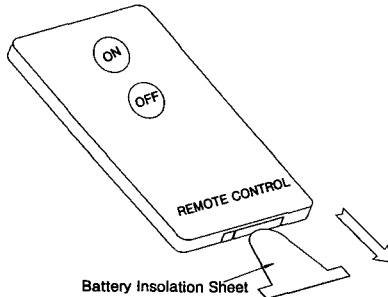
<p>1. Unscrew the clamp.</p>	
<p>2. Use a screw driver to pull the two piece apart</p>	
<p>3. Install the battery. Make sure "+", "-" is located correctly. Notice: Turn on the light before closing the two parts to make sure the batteries are properly installed.</p>	 <p>Notice: 3 AA batteries are needed. Batteries are not provided.</p>
<p>4. Remove the plastic sheet on the battery before using the remote control.</p>	
<p>5. Make sure the locating POINTS are on the same line when closing the two parts.</p>	
<p>6. Check around the light to make sure there are no wires protruding and O-rings are in the proper place. If not, the light can leak.</p>	
<p>7. Screw the clamp back on. Make sure it is tight and there are no threads showing after tightening. You may have to press on the clamp to release air while threading it back on.</p>	 <p>Notice: The factory default clamp is not tightened enough since the batteries should be installed by the user.</p>
<p>8. To replace the battery, push the clamp to release the air and unscrew.</p>	

OPERATION

Remote Control

Using the provided remote control to operate the light.

Remove the plastic sheet on the back of the remote control which was used to isolate the battery.



Push ON button to start the light. The light has 8 patterns.

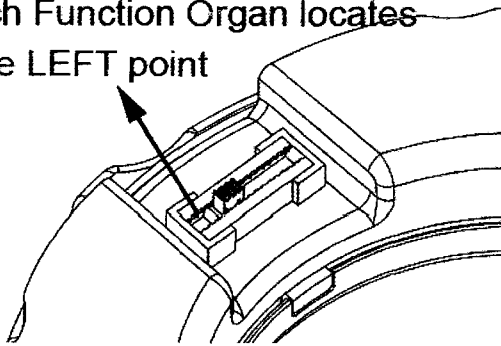
1. Flashing (color: red, green, blue, purple, white)
2. Fade (color: red, green, blue, purple, white)
3. RED
4. GREEN
5. BLUE
6. PURPLE
7. WHITE
8. STOP

Every push of the ON button would lead to the next pattern of the light.

On/Off Switch

The light could also be operated by the on/off switch on the back.

Switch Function Organ locates
on the LEFT point



Simply move the knob from left to right or from right to left, the light pattern would be moved to the next station.

The light pattern is the same as stated on the remote control

Notice:

Make sure every movement of the working knob touches the left point in order to have the switch operate properly.

Automatic Shut Off

The light would be automatically shut off after two hours to save the battery life.

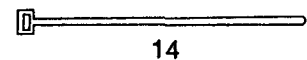
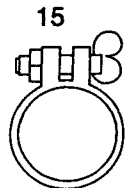
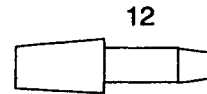
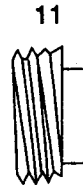
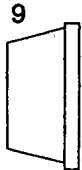
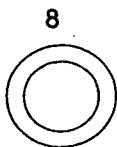
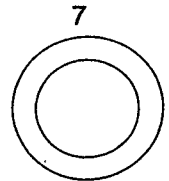
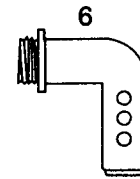
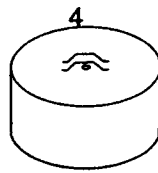
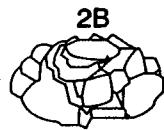
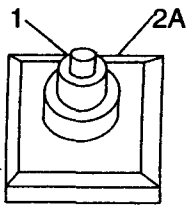
INSTALLATION INSTRUCTION INSTRUCTIONS

Thank you for purchasing the finest floating swimming pool fountain in the world. We are confident that you will much Enjoyment form the unique features and durable construction of the ILP product.

This fountain is to be assembled and installed by an adult. Please read the directions carefully before beginning assembly. Check that all hardware and parts are present BEFORE assembly (see parts diagram). Save all packaging material until Assembly is complete to ensure that parts are not discarded. **CAUTION: IMPORTANT SAFETY INFORMATION KEEP SMALL PARTS, HARDWARE, AND PLASTIC BAGS OUT OF CHILDREN REACH.**

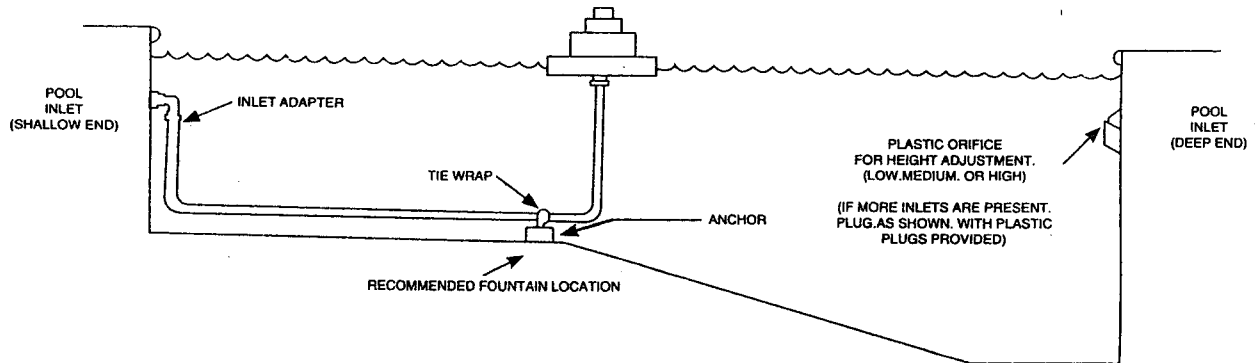
PARTS LIST

Diag NO.	Part Description
1	Triple Fountainhead
2A	GRECIAN Float
2B	Threaded Plug
3	Hose
4	Anchor
5	Threaded Insert
6	Elbow Piece
7	Large Washer
8	Small Washer
9	Small Orifices and Restriction
10	Large Plug
11	Threaded Plug
12	Push-in Tube
13	Push-in Plug
14	Tie Wrap
15	Clamp



14

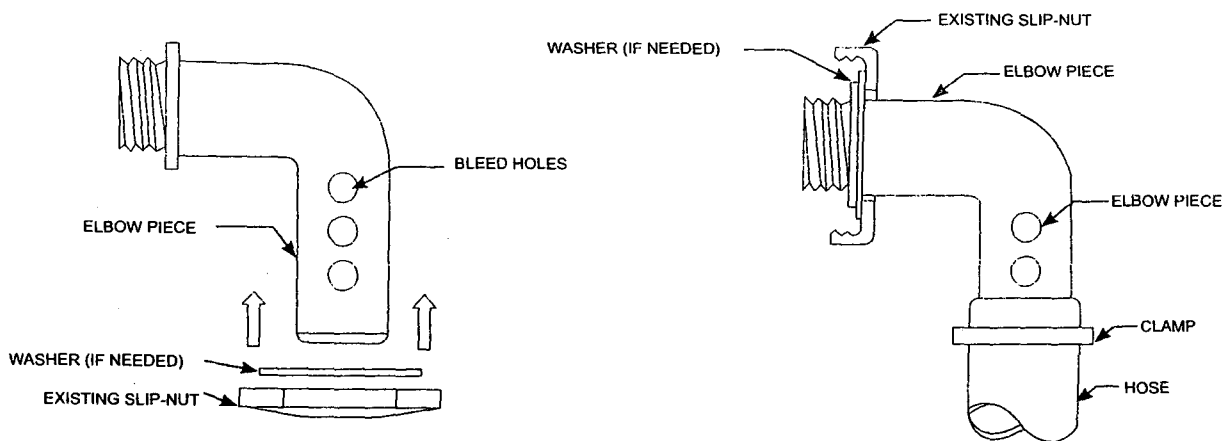
FIGURE 1



INSTALLATION INSTRUCTION

This fountain kit will fit pools with four different types of inlets. After reading the description of each type below determine which inlet you have and follow the appropriate installation instructions.

- Directional "eyeball" type with slip nut — This inlet has a slip-nut holding an "eyeball" for water directional control. Use installation **instruction 1, page 3** for this type inlet.
- 1-1/2 inch Female threaded inlet — Water enters through a 1-1/2 inch threaded hole. Hole measures approximately 1-3/4 inch across. Use installation **instruction 2 page 4** for this type inlet.
- 1 inch Unthreaded inlet — Water enters through a 1 inch unthreaded pipe or a 1 inch hole in a directional "eyeball". Opening measures approximately 1 inch top to bottom. Use installation **instruction 3, page 5** for this type inlet.
- Pool cleaner quick disconnect fittings. Refer to Figure 7. Use installation **instruction 4, page 6** for this type inlet.



INSTRUCTION ONE

FIGURE 2

FIGURE 3

1. Insure that the filter is operating and properly maintained. Turn the pump off.
2. Remove the slip nut holding the "eyeball" in place from the inlet nearest the shallow end. Select one of the washers (7 or 8) that best fits into the threaded part of the slip nut. Insert the elbow piece (6) through the opening in the washer and then through the slip nut (Fig. 2). Some smaller inlets will not require a washer. This is your inlet adapter.
3. Refer to Figure 1. Uncoil the hose (3) and remove all twist. Using clamps (15), clamp one end of the hose to the back side of the fountainhead (1) and the other end to the inlet adapter from step 2. Cover one set of bleed holes with the hose (Fig. 3). To tighten clamp, grasp "tabs" between thumb and forefinger and squeeze. Tighten securely with a pair of pliers. To open the clamp, grip one "tab" of the clamp with pliers and twist loose.
4. Using the tie wrap (14), LOOSELY attach the anchor (4) to the hose (3). The anchor (4) should be attached to the hose (3) at a point as the water plus approximately two feet. You will have to estimate what the water depth is where you want the fountain and add two feet. **CAUTION: DO NOT CONSTRICT THE HOSE BY TIGHTENING THE TIE WRAP (14) TOO TIGHT.**
5. Attach the inlet adapter to the pool inlet by screwing the slip-nut back on (Fig. 3).
6. Place the fountain assembly into the pool. Position the fountain in the desired location being careful not to crimp the hose (3).
7. Turn the pump on and observe the position and height of the fountain. Turn the pump off and adjust the fountain position if necessary.

HEIGHT ADJUSTMENT

SINGLE INLET POOLS

Height adjustment is achieved by covering more or less of the bleed holes (Fig. 3) on your elbow piece (6) with the hose (3). The more holes covered, the higher the fountain versa.

MULTIPLE INLET POOLS

Height adjustment is achieved by a combination of two methods as follows:

- a) Plug or restrict the other inlets as needed using the appropriate fittings provided. Depending on the size "eyeball" inlet you have, your restrictions will be Kiagram Number 9 or 10. The more restriction, the higher the fountain and vice versa.
- b) Cover more or less bleed holes on your Elbow Piece (6) with the hose (3). The more holes covered, the higher the fountain and vice versa.

INSTRUCTION TWO

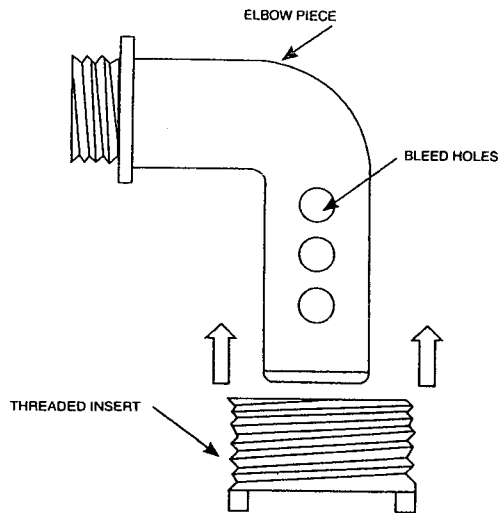


FIGURE 2

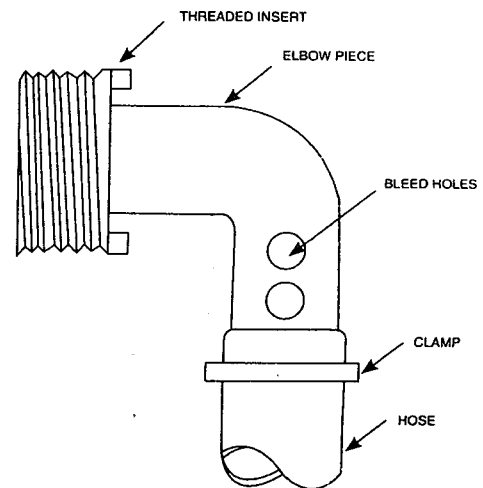


FIGURE 3

1. Insure that the filter is operating and properly maintained. Turn the pump off.
2. Slide the threaded insert (5) over the Elbow Piece (6) as shown in Fig. 4. The threaded insert (5) is a tight fit around the trunk in the Elbow Piece (6), therefore, slight pressure is needed. This is your inlet adapter.
3. Refer to Figure 1. Uncoil the hose (3) and remove all twist. Using clamps (15), clamp one end of the hose to the back side of the fountainhead (1) and the other end to the inlet adapter from step 2. Cover one set of bleed holes with the hose (Fig. 6). To tighten clamp, grasp "tabs" between thumb and forefinger and squeeze. Tighten securely with a pair of pliers. To open the clamp, grip one "tab" of the clamp with pliers and twist loose.
4. Using the tie wrap (14), LOOSELY attach the anchor (4) to the hose (3). The anchor (4) should be attached to the hose (3) at a point as deep as the water plus approximately two feet. You will have to estimate what the water depth is where you want the fountain and add two feet. **CAUTION: DO NOT CONSTRICT THE HOSE BY TIGHTENING THE TIE WRAP (14) TOO TIGHT.**
5. Attach the inlet adapter to the pool inlet by screwing it into the threaded pool inlet.
6. Place the fountain assembly into the pool. Position the fountain in the desired location being careful not to crimp the hose (3).
7. Turn the pump on and observe the position and height of the fountain. Turn the pump off and adjust the fountain position if necessary.

HEIGHT ADJUSTMENT

SINGLE INLET POOLS

Height adjustment is achieved by covering more or less of the bleed holes (Fig. 5) on your elbow piece (6) with the hose (3). The more holes covered, the higher the fountain and vice versa.

MULTIPLE INLET POOLS

Height adjustment is achieved by covering more or less of the bleed holes (Fig. 5) on your Elbow Piece (6) with the hose (3). The more holes covered, the higher the fountain and vice versa. If your fountain is still not as high as desired, use the threaded plug (11) to plug one of the other inlets.

INSTRUCTION THREE

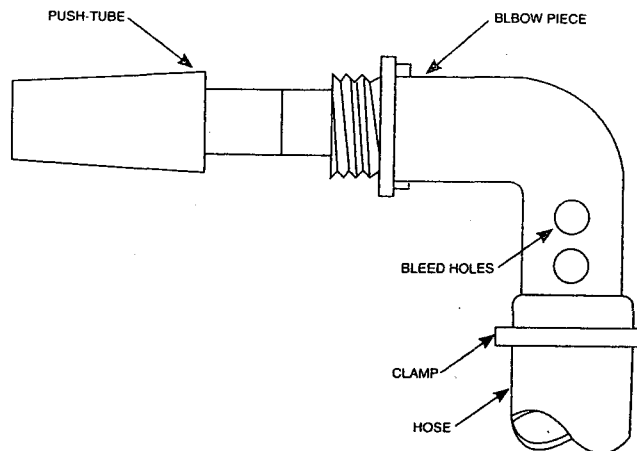


FIGURE 6

1. Insure that the filter is operating and properly maintained .Turn the pump off.
2. Refer to Figure 6.Push the small end of the Push-in Tube (12) into the threaded end of the Elbow Piece (6) until it is secure. this is your inlet adater.
3. Refer to Figure 1.Uncoil the hose (3) and remove all twist.Using clamps(15),clamp one end of the hose to the back side of the fountainhead (1) and the other end to the inlet adapter from step 2.Cover one set of bleed holes with the hose (Fig.6). To tighten clamp,grasp "tabs" between thumb and forefinger and squeeze.Tighten securely with a pair of pliers.To open the clamp,grip one "tab" of the clamp with pliers and twist loose.
4. Using the tie wrap(14),LOOSELY attach the anchor (4) to the hose (3),the anchor (4) should be attached to the hose(3) at a point as deep as the water plus approximately two feet.You will have to estimate what the water depth is where you want the fountain and add two feet.**CAUTION:DO NOT CONSTRICT THE HOSE BY TIGHTENING THE TIE WRAP (14) TOO TIGHT.**
5. Attach the inlet adapter to the pool inlet by pushing the large end into the pool inlet until secure.(DO NOT HAMMER.)
6. Place the fountain assembly into the pool.Position the fountain in the desired location being careful not to crimp the hose (3).
7. Turn the pump on and observe the position amd height of the fountain.Turn the pump off and adjust the fountain position if necessary.

HEIGHT ADJUSTMENT

SINGLE INLET POOLS

Height adjustment is achieved by covering more or less of the bleed holes(Fig.6) on your elbow piece (6) with the hose (3). The more holes covered,the hihger the fountain and vice versa.

MULTIPLE INLET POOLS

Height adjustment is achieved by covering more or less of the bleed holes (Fig.5) on your Elbow Piece (6) with the hose (3). The more holes covered,the hithger the fountain and vice versa.If your fountain is still not as high as desired,use the threaded plug(11) to plug one of the other inlets.

INSTRUCTION FOUR

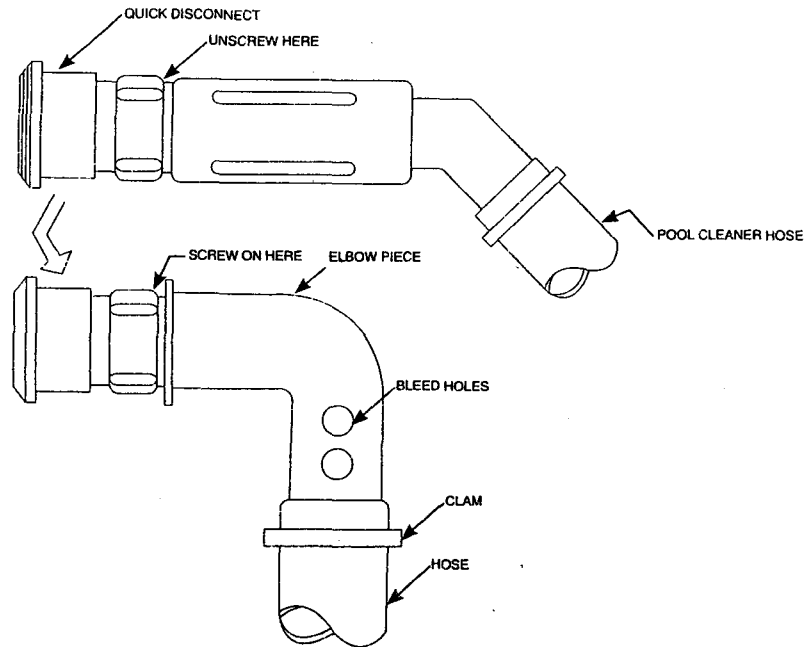


FIGURE 7

1. Insure tht the filter is operating and properly maintained. Turn the pump off.
2. Unscrew the end of your pool cleaner hose fitting as Indicated in Figure 7. Screw the quick disconnect fitting on to the threaded end of the Elbow Piece(6). Tis is your inlet adapter.
3. Refer to Figure 1. Uncoil the hose (3) and remove all twist. Using clamps(15), clamp one end of the hose to the back side of the fountainhead (1) and the other end to the inlet adapter from step 2. Cover one set of bleed holes with the hose (Fig.7). To tighten clamp, grasp "tabs" between thumb and forefinger and squeeze. Tighten securely with a pair of pliers. To open the clamp, grip one "tab" of the clamp with pliers and twist loose.
4. Using the tie wrap(14), LOOSELY attach the anchor(4) to the hose (3). the anchor(4) should be attached to the hose(3) at a point as deep as the water plus approximately two feet. You will have to estimate what the water depth is where you want the fountain and add two feet **CAUTION: DO NOT CONSTRICT THE HOSE BY TIGHTENING THE TIE WRAP (14) TOO TIGHT.**
5. Attach the inlet adapter to the pool inlet by plugging the inlet adapter into the pool cheaner inlet as you would if you were connecting your cleaner.
6. Place the fountain assembly into the pool. Position the fountain in the desired location being careful not to crimp the hose (3).
7. Turn the pump on and observe the position and height of the fountain. Turn the pump off and adjust the fountain position if necessary.

HEIGHT ADJUSTMENT

Height adjustment is achieved by covering more or less of the bleed holes(Fig.7) on your elbow piece(6) with the hose(3). The more holes covered, the higher the fountain and vice versa.

NOTES

1. Because the fountain kit is made to adapt to a number of different types of pool inlets, you will have some parts left over after assembly. Save these pieces as well as these instructions for future use if necessary.
2. After a few weeks exposure to the sun and chlorine, the hose (5) will turn frosty in color. This is normal and does not affect operation.
3. Remove the entire fountain during freezing conditions. Damage will result if the fountain is not drained and stored properly. It is advisable to store in a manner to prevent insects or trash from entering the fountain that would clog the jets.

W A R N I N G

FOR SAFETY PURPOSES, COMPLETELY REMOVE THE FOUNTAIN ASSEMBLY PRIOR ENTERING THE POOL.

WARRANTY

FULL ONE-YEAR WARRANTY

Warrants to you, the owner, that if any part of your fountain fails within one year of the original purchase date because of a defect in materials or workmanship, it will remedy the defect at no cost to you except shipping.

THIS WARRANTY DOES NOT COVER THE FOLLOWING:

- INCIDENTAL OR CONSEQUENTIAL DAMAGES.
- Fountains that have been used for purposes they were not intended for such as commercial uses.
- Fountains that have been misused or modified.
- Clogging of the outlet jets (With proper filtration the jets will not clog.)
- No warranty against personal injury or damage to any other pool equipment as a result of the installation or operation of this fountain is expressed or implied.