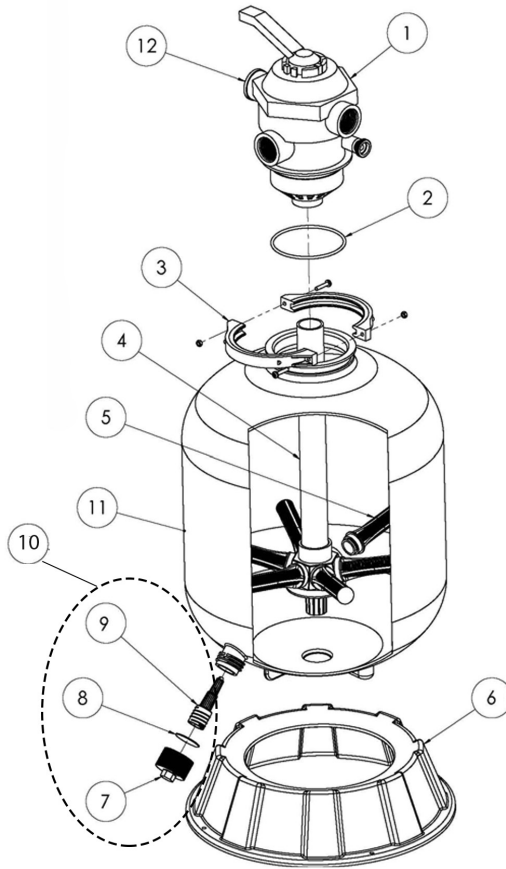


SAND DOLLAR® FILTERS

REPLACEMENT PARTS FOR BLOW MOLDED FILTERS



Item	Part No.	Description
SAND DOLLAR SAND FILTERS		
1	262506	Valve 1-1/2 in. 6-way
1	263085	Valve 2 in.
1	262525	Valve 2 in. with unions
2	272541	O-ring valve body
3	152165	Assembly, plastic clamp 2 piece
4	155504	Piping assembly SD35, dim D = 16 in.
4	152229	Pipe assembly SD35 ²
4	155062	Piping assembly SD40, dim D = 20-1/8 in.
4	152228	Pipe assembly SD40 ²
4	155532	Piping assembly SD60, dim D = 25-1/4 in.
4	152227	Pipe assembly SD60 ²
4	152000	Pipe assembly, SD70
4	152226	Pipe assembly SD80
4	152238	Pipe assembly SD80 2 in.

SAND DOLLAR® FILTERS

REPLACEMENT PARTS FOR BLOW MOLDED FILTERS

Item	Part No.	Description
SAND DOLLAR SAND FILTERS		
5	155007	Lateral 5, 11/32 in. long, almond, SD35, 8 req.
5	152290	Lateral 6, 11/16 in. long, almond, SD40/SD60, 8 req.
5	150084	Lateral, SD35, SD40, black ²
5	150085	Lateral XLong, SD60, SD70, SD80, black ²
5	150088	Lateral, ClearPro 6 req
6	154926	Foot, SD35
6	154520	Foot, SD40, SD60, SD70, & SD80 ¹
7	154712Z	Drain Cap
8	154715	Gasket
9	154711	Drain
10	150055	Complete Drain Assembly
11	145339	Tank with drain SD35, almond
11	145341	Tank with drain SD40, almond
11	145343	Tank with drain SD60, almond
11	145368	Tank with drain SD70, almond
11	145334	Tank with drain SD80, almond
12	190059	Gauge, pressure
NOT SHOWN		
	272569	Kit Union for 2 in. Valve
	150119	Kit Union for 1-1/2 in. Valve

¹ Used on filters manufactured before 2/02.

² Filters manufactured after 10/04.