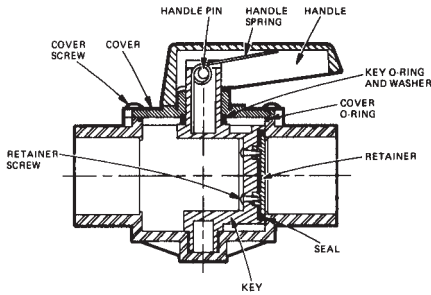


Multiport Valves

REPLACEMENT PARTS (continued)

SP0733S



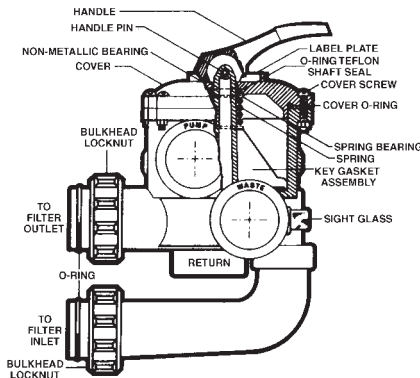
Cat. No. SP0733 Series Dial-A-Flo Valves

| Part No. | Description | Ctn. Qty. |
|------------|--------------------------------------|-----------|
| SPX0733D | Handle | 10 |
| SPX0733H | Handle Pin | 1 |
| SPX0733J | Handle Spring | 100 |
| SPX0733B | Cover with Label | 50 |
| SPX0733Z3A | Cover Screw (Set of 8) | 50 |
| SPX0733Z2A | Cover O-Ring with Washer and Spacer | 10 |
| SPX0733Z1A | Key O-Ring with Washer and Spacer | 10 |
| SPX0733E | Seal | 10 |
| ECX1019 | Retainer Screw | 10 |
| SPX0733CA | Key and Seal Assembly with O-Ring | 50 |
| SPX0733BA | Key, Seal, Cover and Handle Assembly | 20 |

Cat. No. SP0727 Perflex Diverter Valve (Not Illustrated)

| Part No. | Description | Ctn. Qty. |
|------------|-------------------------|-----------|
| SPX0727D | Handle | 1 |
| SPX0733H | Handle Pin | 1 |
| SPX0727J | Handle Spring | 100 |
| SPX0727K | O-Ring, Cover | 1 |
| SPX0733Z3A | Cover Screw (Pkg. of 8) | 50 |
| SPX0727H | Seal | 1 |
| SPX0733Z1 | O-Ring (Key) | 50 |
| SPX1483C | O-Ring (Union) | 10 |
| SPX0727E | Union Nut | 10 |

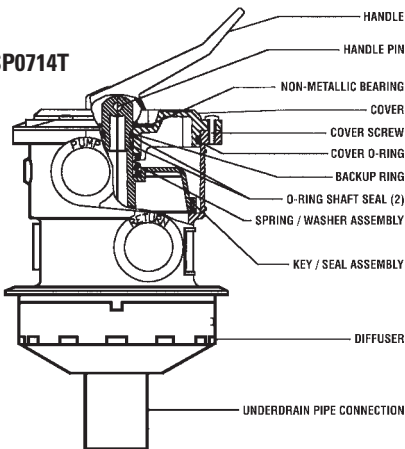
SP0740DE



Cat. No. SP0740DE 2" Selecta-Flo™ Valve

| Part No. | Description | Ctn. Qty. |
|-------------|---|-----------|
| SPX0710FL | Handle, Large | 25 |
| SPX0710XZ7 | Handle Pin | 50 |
| SPX0710Z16 | Non-Metallic Bearing (Pack of 5) | 50 |
| SPX0740B | Cover | 10 |
| SPX0710Z1A | Cover Screw with Nut (Set of 6 each) | 10 |
| SPX0715Z1 | Cover O-Ring | 10 |
| SPX0603S | Spring | 50 |
| SPX0704HA | O-Ring/Teflon Shaft Seal | 10 |
| SPX0710Z62 | Spring Washers (Set of 2) | 10 |
| SPX0740D | Valve Seat Gasket | 50 |
| SPX0740C | Key/Stem Assembly | 10 |
| SPX0740BA | Key, Cover, Handle Assembly | 1 |
| SPX0740AA | Valve Body with Gasket and Sight Glass – with Tank Pipes and Locknuts | 1 |
| SX200Z4PAK2 | Valve/Union O-Ring (Set of 2) | 25 |

SP0714T



Cat. No. SP0714T Vari-Flo™ XL Valve

| Part No. | Description | Ctn. Qty. |
|------------|--|-----------|
| SPX0710XF | Handle | 10 |
| SPX0710XZ7 | Handle Pin | 50 |
| SPX0710Z16 | Non-Metallic Bearing (Pack of 5) | 50 |
| SPX0714G | Valve Position Label | 50 |
| SPX0714BA | Key, Cover and Handle Assembly | 5 |
| SPX0714Z1 | Cover Screw (Set of 6) | 10 |
| SPX0714L | Cover O-Ring | 50 |
| SPX0735GA* | O-Ring Shaft Seal Assembly | 100 |
| SPX0710Z62 | Spring Washers (Set of 2) | 10 |
| SPX0714CA | Key/Seal Assembly | 10 |
| SPX0714D | Diffuser | 5 |
| SPX0714A | Valve Body with Gasket and Sight Glass | 1 |

NOTE: *Two required for each valve.