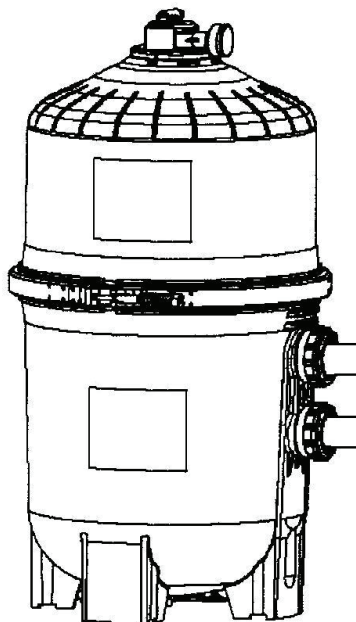


HAYWARD®

OWNER'S MANUAL INSTALLATION, OPERATION, & PARTS



Models C2020 C3020 C4020 C5020 SWIMCLEAR CARTRIDGE FILTERS

MODEL	EFFECTIVE FILTRATION RATE		DESIGN FLOW RATE	
	FT ²	M ²	GPM	LPM
C2020	225	20.9	77	291
C3020	325	30.2	122	462
C4020	425	39.5	150	568
C5020	525	48.8	150	568

MAXIMUM WORKING PRESSURE FOR ALL MODELS 50 PSI (3.45 BAR)


SAVE THIS INSTRUCTION MANUAL





HAYWARD POOL PRODUCTS

620 Division Street Elizabeth, NJ 07207 Tel: 908-355-7995
WWW.HAYARD.COM

Basic safety precautions should always be followed, including the following: Failure to follow instructions can cause severe injury and/or death.


 This is the safety-alert symbol. When you see this symbol on your equipment or in this manual, look for one of the following signal words and be alert to the potential for personal injury.

 **WARNING** Warns about hazards that **could** cause serious personal injury, death or major property damage and if ignored presents a potential hazard.

 **CAUTION** Warns about hazards that **will** or **can** cause minor or moderate personal injury and/or property damage and if ignored presents a potential hazard. It can also make consumers aware of actions that are unpredictable and unsafe.

The **NOTICE** label indicates special instructions that are important but not related to hazards.



 **WARNING** **READ, UNDERSTAND, AND FOLLOW ALL SAFETY AND OPERATION INSTRUCTIONS. FAILURE TO FOLLOW SAFETY AND OPERATION INSTRUCTIONS CAN RESULT IN SEVERE PERSONAL INJURY OR DEATH.**



 **WARNING** - **SUCTION ENTRAPMENT HAZARD.**

Suction in suction outlets and/or suction outlet covers that are, damaged, broken, cracked, missing, or unsecured can cause severe injury and/or death due to the following entrapment hazards:

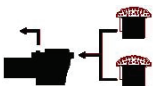
Hair Entrapment- Hair can become entangled in suction outlet cover.

Limb Entrapment- A limb inserted into an opening of a suction outlet sump or suction outlet cover that is damaged, broken, cracked, missing, or not securely attached can result in a mechanical bind or swelling of the limb.

Body Suction Entrapment- A negative pressure applied to a large portion of the body or limbs can result in an entrapment.

Evisceration/ Disembowelment Entrapment- A negative pressure applied directly to the intestines through an unprotected suction outlet sump or suction outlet cover that is, damaged, broken, cracked, missing, or unsecured can result in evisceration/ disembowelment entrapment.

Mechanical Entrapment- There is potential for jewelry, swimsuit, hair decorations, finger, toe or knuckle to be caught in an opening of a suction outlet cover resulting in mechanical entrapment.



 **WARNING** - **TO REDUCE THE RISK OF ENTRAPMENT HAZARDS:**

- A minimum of two functioning suction outlets per pump must be installed. Suction outlets in the same plane (i.e. floor or wall), must be installed a minimum of three feet (3') [1 meter] apart, as measured from near point to near point.
- Dual suction fittings shall be placed in such locations and distances to avoid "dual blockage" by a user.
- Dual suction fittings shall not be located on seating areas or on the backrest for such seating areas.
- The maximum system flow rate shall not exceed the flow rating of any listed (per ASME/ANSI A112.19.8M-1987) suction outlet cover installed.
- Never use Pool or Spa if any suction outlet component is damaged, broken, cracked, missing, or not securely attached.
- Replace damaged, broken, cracked, missing, or not securely attached suction outlet components immediately.
- In addition two or more suction outlets per pump installed in accordance with latest NSPI, IAF Standards and CPSC guidelines, follow all National, State, and Local codes applicable.
- Installation of a vacuum release system, which relieves entrapping suction, is recommended.

USE ONLY HAYWARD GENUINE REPLACEMENT PARTS

WWW.HAYWARD.COM

**WARNING**

– Failure to remove pressure test plugs and/or plugs used in winterization of the pool/spa from the suction outlets can result in an increased potential for suction entrapment as described above.

**WARNING**

Failure to keep suction outlet components clear of debris, such as leaves, dirt, hair, paper and other material can result in an increased potential for suction entrapment as described above.

**WARNING**

Suction outlet components have a finite life, the cover/grate should be inspected frequently and replaced at least every ten years or if found to be damaged, broken, cracked, missing, or not securely attached.

**WARNING**

To reduce risk of injury, do not permit children to use or climb on this product. Closely supervise children at all times. The ANSI/NSPI-4 Standard (above-ground and on-ground pools) advises that components such as the filtration system, pumps, and heaters be positioned to prevent their being used as a means of access to the pool by young children.

**WARNING**

Remove clamp tape before installation. Do not leave tape exposed to sun.

**WARNING**

Check for Joint leaks prior to operating. Refer to Pump instruction Booklet for pump information.

**WARNING****COMPONENT SEPARATION HAZARD**

Pool and spa water circulation systems operate under hazardous pressure during start up, normal operation, and possibly after pump shut off. Pressure in system can cause violent separation of the upper filter body if safety and operation instructions are not followed. Component separation can result in severe personal injury or death

- Do not operate water circulation system if a system component is assembled improperly, damaged, missing, or not a genuine Hayward component.
- Before servicing water circulation system, verify all system and pump controls are in OFF position and filter manual air relief valve is in OPEN position.
- Verify that upper and lower filter bodies are properly secured with filter body clamp and spring nut assembly. Tighten spring nut assembly with a 7/8" socket wrench until bolt extends 1/8" past the nut, and each spring coil touches the next coil. Never rely on hand tightening the spring nut assembly.
- Insure filter manual air relief valve body is in LOCK position in filter upper body.
- Before starting the system pump, verify that all system valves are set in a position to allow water from the filter to return back to the pool.
- Do not change filter control valve position while system pump is running.
- Before starting the system pump, the manual air relief valve must be in the OPEN position.
- When starting system pump, stand at least 10 feet away from filter.
- If water leakage appears at tank clamp, shut off system pump before returning to filter to service leak.
- Return to filter to close manual air relief valve only when a steady stream of water (Not air or air and water mix) is discharged from the manual air relief valve.

**WARNING****ELECTROCUTION HAZARD**

Direct water discharge from the filter manual air relief valve must be directed away from electrical devices.

It is required that licensed electricians do all electrical wiring. All electrical wiring MUST be in conformance with applicable local codes, regulations and the National Electrical Code (NEC).

**WARNING**

To avoid dangerous or fatal electrical shock, turn OFF power to motor before working on electrical connections.

**WARNING**

Failure to bond pump to pool structure will increase risk for electrocution and could result in injury or death. To reduce the risk of electric shock, see installation instructions and consult a professional electrician on how to bond pump. Also, contact a licensed electrician for information on local electrical codes for bonding requirements.

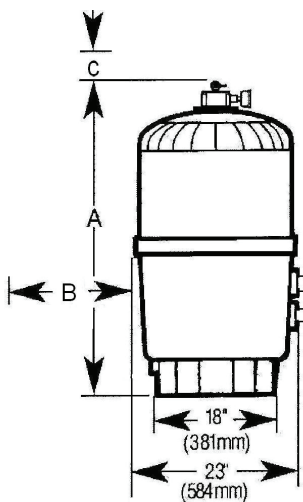


USE ONLY HAYWARD GENUINE REPLACEMENT PARTS

WWW.HAYWARD.COM

GENERAL INFORMATION

Your **Hayward SwimClear™** cartridge filter combines superior water filtration with ease of operation and totally corrosion-free construction. With filtration ratings to 9000 gallons (34 Kl) per hour, they are designed for continuous or intermittent operation, for installation above or below the pool water line, for fresh or salt water swimming pools or spas. SwimClear™ filters utilize multiple reusable, reinforced polyester filter cartridge elements to provide a high degree of water clarity and long filter cycles with minimum care.



	A		REQUIRED CLEARANCE			
			"B" SIDE		"C" ABOVE	
	IN	CM	IN	CM	IN	CM
C2020	32.5	83	18	46	15	38
C3020	34.5	88	18	46	16	41
C4020	40.5	103	18	46	18	46
C5020	46.5	118	18	46	22	56

INSTALLATION



WARNING

This product should be installed and serviced only by a qualified professional.

Only simple tools (screwdriver and wrenches), plus pipe sealant for plastic adapters, are required to install and/or service the filter.

1. The filter system should be installed, not more than 6 feet above pool water level, or below the pool water level, on a *level* concrete slab, very firm ground, or equivalent. Select a well drained area, one that does not flood when it rains. Position the filter so that the piping connections, control valve and winter drain are convenient and accessible for operation, service and winterizing.
2. Position filter so the tank can drain by gravity.
3. If practical, place pump and filter in the shade to shield it from continuous, direct heat from the sun.
4. Connect the pool suction plumbing between the skimmer, pool outlet and the pump.
5. Install the pool return plumbing.
6. If pressure gauge is not installed, apply Teflon tape to the gauge threads and carefully screw the gauge into the gauge adapter assembly.

STARTING THE PUMP and FILTER SYSTEM



WARNING

Before Starting the Pump

1. Verify the filter body clamp and spring nut assembly properly assembled, filter manual air relief body is in LOCK position, and no filter components are missing, damaged or not genuine Hayward components.
2. Close filter drain.
3. Open all system valves to allow normal system operation.
4. Place the manual air relief valve in OPEN position.

Starting Pump

1. Stand at least 10 feet away from filter before starting pump. If water leakage appears at tank clamp, shut off system pump before returning to filter to service leak.
2. Return to filter to close manual air relief valve only when a steady stream of water (not air or, air and water mix) is discharged from the manual air relief valve.

USE ONLY HAYWARD GENUINE REPLACEMENT PARTS

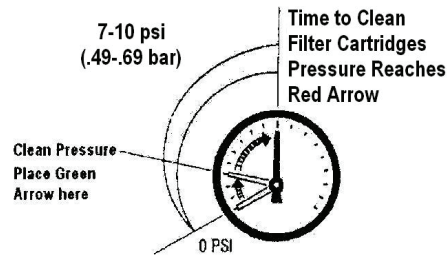
WWW.HAYWARD.COM

OPERATION FILTERING



WARNING

Filtration starts as soon as flow is steady through the filter. As the filter removes dirt from the pool water, the accumulated dirt causes a resistance to flow. As a result, the gauge pressure will rise and the flow will decrease. When the pressure rises 7-10 psi (.49-.69 bar) above the starting pressure, or when the flow decreased below the desired rate, clean or replace the filter cartridges. Once your filter is running and there is a pressure reading, line up the green arrow with the current reading. When the pressure rises to or above the red or second arrow, it is time to clean your filter.



REMOVING THE MANUAL AIR RELIEF VALVE



WARNING

Your Filter comes with a Manual Air Relief Valve (MAR) pre-installed from the factory. Only qualified pool professionals should service your filter's Manual Air Relief Valve. For Qualified pool professionals only: If MAR valve needs to be re-installed, follow this instruction carefully.

1. Shut off Pump
2. Turn MAR Valve stem to OPEN position to relieve pressure.
3. Grasp the MAR body at the flats, turn the MAR counterclockwise (as the arrow indicated) until the notch on the on the MAR flange is aligned with the "Unlock" position as shown on the filter head.
4. Pull out the MAR carefully.

RE-INSTALLATION

Align the notch in the MAR Flange with notch on the MAR part of the filter head. Turn the MAR clockwise (as the arrow indicates) until the notch is aligned with the "Lock" position as shown on the filter head.

MANUAL CLEANING

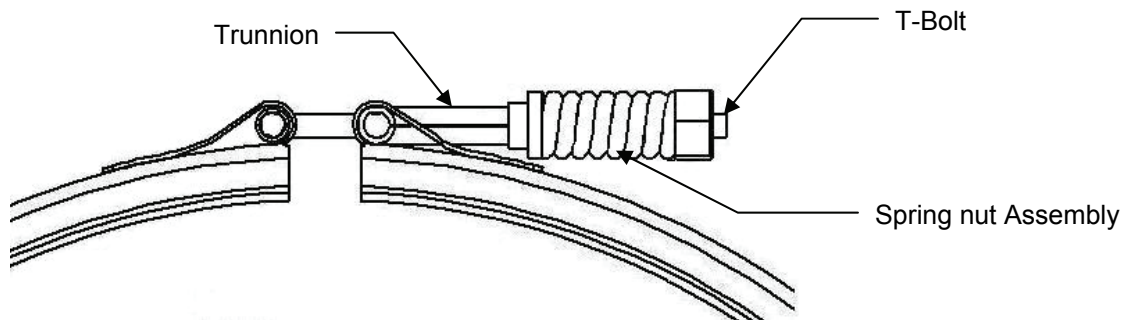


WARNING

1. Shut off the pump.
2. If filter is located below water level, close valves (or block off suction and discharge lines) to prevent backflow of water from pool.
3. Open filter Manual Air relief valve to open position to relieve pressure.
4. Remove filter drain plug and drain water from system.

USE ONLY HAYWARD GENUINE REPLACEMENT PARTS

WWW.HAYWARD.COM

FILTER DISASSEMBLY INSTRUCTIONS

1. All system and pump controls must be in the OFF position before servicing.
2. Place manual air relief valve in the OPEN position to release filter pressure.
3. Remove filter drain plug and drain water from system.
4. Using a 7/8" socket wrench, loosen the spring nut assembly.
5. Holding both ends of the filter body clamp, remove spring nut assembly from clamp T-Bolt. Carefully spread the clamp ends and remove the clamp by lifting over the tank flanges and head. Take care not to bend or distort the clamp during removal.
6. Lift off upper filter body.

Do Not Grasp the filter Manual Air Relief assembly to remove or lift the filter head up. You may break the MAR.

REMOVING CARTRIDGES

1. Lift off top closure plate.
2. Remove cartridges from bottom collector manifold by using slight rocking motion and lifting up.
3. Clean Cartridge.

CLEANING CARTRIDGES

The Cartridge filter element can be cleaned by pressure washing inside and outside with a garden hose. After hosing cartridge, for best results, allow the cartridge to dry and carefully brush the pleated surface to remove fine particles.

You may find some debris on the cartridge pleats, which may not have been removed with hosing. In such a case soak the cartridge in a solution of Filter Element Cleaner (found at pool dealers).

⚠ CAUTION

Follow chemical manufacturer's directions for use. Always use caution when handling pool chemicals. After cleaning, flush with water.

If calcium or mineral deposits are found, clean the cartridges by soaking in a plastic container with Muriatic acid added to water in a 1:1 ratio.

⚠ CAUTION

Always use caution when handling Muriatic acid. After cleaning cartridge, flush with water.

RE-INSTALLING CARTRIDGES

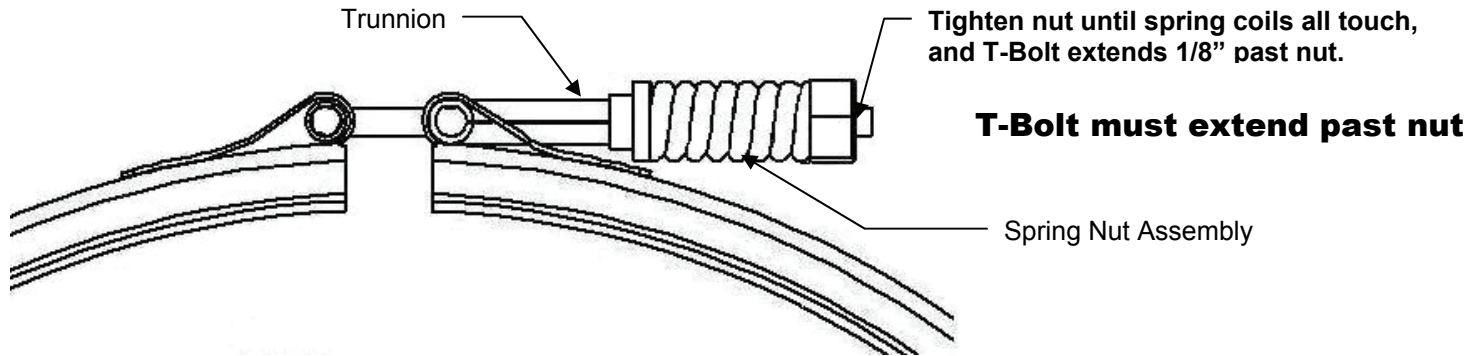
1. Flush and drain any dirt or debris from the bottom of the filter tank.
2. Carefully replace the cartridges over the hubs on the bottom manifold.
3. Place top closure plate securely on top of cartridges.

Clean O-ring and Seal Surface



WARNING

1. Clean and lightly lubricate tank O-ring (We recommend Jack's 327 Lubricant or other Non-petroleum based silicon lubricant). Carefully place the O-ring over filter tank lip.
2. Clean upper filter body flange sealing surface.



Filter Re-Assembly Instructions



WARNING

1. Re-assemble upper filter body. Insure that the filter body seal is in place and all operation labels on all filter components are visible from a convenient location. Press down firmly and evenly to set the filter head in place.
2. Re-assemble filter clamp to tank flanges. Hold clamp ends to position clamp on tank flanges with the T-Bolt and trunnion adjacent to the safety and operation labels on the tank. Do not bend or distort filter clamp during positioning.
3. Insert clamp T-Bolt into clamp trunnion and thread spring nut assembly onto clamp T-Bolt with spring end towards trunnion.
4. Using a 7/8" socket wrench, tighten spring nut assembly while tapping outer band of Filter Body Clamp with rubber mallet to insure proper seating of upper and lower tank bodies and clamp. Tighten spring nut assembly until bolt extends 1/8" past the nut, and each spring coil touches the next coil. **Never rely on hand tightening of spring nut assembly.**
5. Follow Operation Instructions for "Starting the Filter" (Page 4)

VACUUMING

Vacuuming can be performed directly into the filter whenever needed. Clean cartridges after vacuuming, if required.

WINTERIZING

CAUTION

Winterizing Filter

In areas where subfreezing temperatures can be expected, the filter should be drained. Remove and clean the cartridges.

Reinstall cartridges in filter tank.

Be sure to leave the drain plug unattached during the winter season to avoid cracking the filter tank.

USE ONLY HAYWARD GENUINE REPLACEMENT PARTS

WWW.HAYWARD.COM

⚠ CAUTION

READ AND FOLLOW ALL INSTRUCTIONS.

Algae are a form of plant life, which can vary in size from a few thousandths of an inch to the size of a small tree. Of the many forms of algae, those most frequently found in swimming pool water are microscopic in size and green in color. Algae readily grows in sunlight and can, under favorable conditions quickly overgrow a swimming pool turning it completely green in just a few hours. Maintaining a chlorine level of at least 1.0 ppm in the pool water at all times is the most effective way to prevent algae growth in swimming pools. The chlorine level should be checked at least once a day using a suitable test kit.

If an algae condition develops and the pool water “blooms” green, super-chlorination of the pool will be necessary to clear it. Add un-stabilized granular chlorine, or liquid chlorine. Follow chemical manufacturer’s recommendation for super-chlorination. The algae will quickly become inactive and can then be removed by the filter. Live algae, on the other hand, multiply so fast that the filter cannot keep up with its growth rate.

When correctly used, commercial algaecides are effective against algae, though algaecides should be used in conjunction with, and not as a substitute for, regular chlorination or super-chlorination.

PLEASE REALIZE . . .

Pure, clear swimming pool water is a combination of two factors—adequate filtration and proper water chemistry balance. One without the other will not give the clean, clear water you desire.

Your filter system is designed for continuous operation. However, this is not necessary for most swimming pools. You can determine your filter operation schedule based on your pool size and usage. Be sure to operate your filtration system long enough each day to obtain at least one complete turnover of your pool water.

To properly sanitize your pool, maintain a free chlorine level of 1 to 3 ppm and a pH range of 7.2 to 7.6. Insufficient chlorine or an out of balance pH level will permit algae and bacteria to grow in your pool and make it difficult for your filter to properly clean the pool water.

SERVICE AND REPAIRS

Consult your local authorized Hayward dealer or service center. No returns may be made directly to the factory without the expressed written authorization of Hayward Pool Products, Inc.

POOL CHEMISTRY GUIDLINES

SUGGESTED POOL CHEMISTRY LEVELS		ACTION REQUIRED TO CORRECT POOL CHEMISTRY	
		TO RAISE	TO LOWER
pH	7.2 to 7.6	Add Soda Ash	Add Muriatic Acid or Sodium Bisulphate
TOTAL ALKALINITY	100 to 130 ppm	Add Sodium Bicarbonate	Add Muriatic Acid
CHLORINE (UNSTABILIZED)	0.3 to 1.0 ppm	Add Chlorine Chemical	No action - chlorine will naturally dissipate
CHLORINE (STABILIZED)	1.0 to 3.0 ppm	Add Chlorine Chemical	No action - chlorine will naturally dissipate
CHLORINE STABILIZER (Cyanuric Acid)	40 to 70 ppm	Add Stabilizer	Dilution - partially drain & refill pool with water that has not been treated with Cyanuric Acid.

PROBLEM SOLVING LIST

REMEDY	LOW WATER FLOW	SHORT FILTER CYCLES	POOL WATER WON'T CLEAR UP
	<ol style="list-style-type: none"> 1. Check skimmer and pump strainer baskets for debris. 2. Check for restrictions in intake and discharge lines. 3. Check for air leak in intake line (indicated by bubbles returning to pool). 4. Backwash (Clean) Filter 	<ol style="list-style-type: none"> 1. Check for algae in pool and super-chlorinate as required. 2. Be sure chlorine and pH levels are in proper range (adjust as required). 	<ol style="list-style-type: none"> 1. Check chlorine, pH and total alkalinity levels and adjust as required. 2. Be sure flow rate through filter is sufficient. 3. Operate filter for longer periods.

USE ONLY HAYWARD GENUINE REPLACEMENT PARTS

WWW.HAYWARD.COM

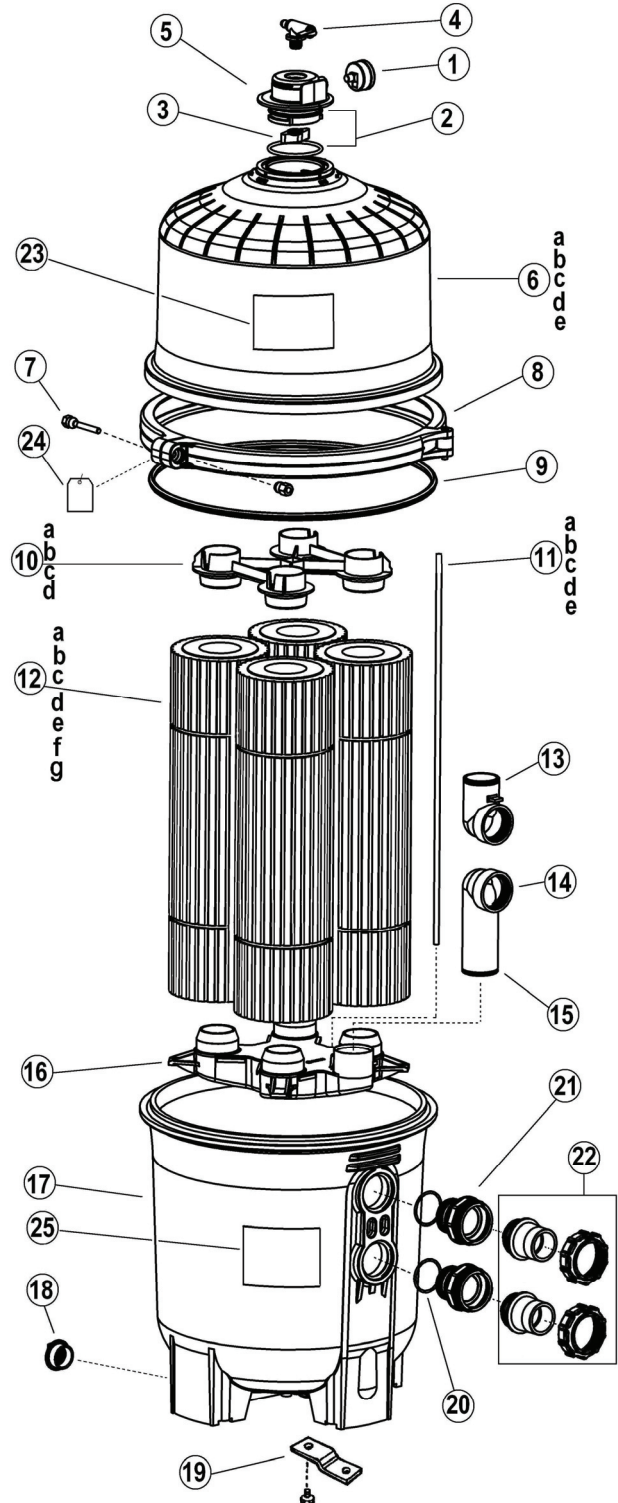
REPLACEMENT PARTS

Item	Part No.	Description
1	ECX2712B1	Pressure Gauge
2	DEX2420Z8A	O-Ring Kit (Set of 2)
3	CCX1000N	Air Relief Valve Nut
4	CCX1000V	Manual Air Relief w/O-Ring
5	DE2420MAR2	Manual Air Relief Assembly
6a	DEX2420BT	Upper Filter Body C2020
6b	DEX3620BT	Upper Filter Body C3020
6c	DEX4820BT	Upper Filter Body C4020
6d	DEX6020BT	Upper Filter Body C5020
6e	DEX7220BT	Upper Filter Body C7000
7	DEX2421J2	Clamp Bolt & Nut
8	DEX2421JKIT	Clamp System including: Clamp, Clamp Nut and Bolt, Hang tag, Metal Reinforced Seal, and Labels
9	DEX2422Z2	Metal Reinforced Seal
10a	CX2020DA	Top Closure Plate C2020
10b	CX3020DA	Top Closure Plate C3020,C4020
10c	CX5020DA	Top Closure Plate C5020
10d	CX3020D4	Top Closure Plate C7000 Series
11a	CX800Z4	Air Relief Tube Assy C2020
11b	CX3000Z3	Air Relief Tube Assy C3020
11c	CX4000Z3	Air Relief Tube Assy C4020
11d	CX5000Z3	Air Relief Tube Assy C5020
11e	CX7000Z3	Air Relief Tube Assy C7000
12a	CX480XRE	Cartridge Element C2020 4 Required
12b	CX580XRE	Cartridge Element C3020 4 Required
12c	CX880XRE	Cartridge Element C4020 4 Required
12d	CX875RE	Cartridge Element C4520 Series 4 Required
12e	CX1280XRE	Cartridge Element C5020 4 Required
12f	CX1380RE	Cartridge Element C5520 Series 4 Required
12g	CX590XRE	Cartridge Element C7000 Series 8 Required
-	CX7020M	Mid plate Connector C7000 only
13	CX3000F1	Inlet Elbow
14	CX3020FB	Outlet Elbow
15	DEX360M	O-Ring
16	CX3000C	Bottom Collector Manifold
17	DEX2420AT	Lower Filter Body
18	SP1022C	1 1/2" Drain Plug w/O-Ring
19	DEX2420DCKIT	Strap kit (Optional)
20	SX220Z2	O-ring
21	DEX2420F	Bulkhead Fitting
22	DE2400PAK2CS	Cartridge Filter Plumbing Kit
23	DEX2420LA6PAK	Label Pack: Includes all Warning and Operation Label's Hang Tag, Wire Tie and Owner's Manual
24	DEX2420LA6PAK	Complete as listed above
25	DEX2420LA6PAK	Complete as listed above



WARNING

Separation Hazzard: Failure to follow the instructions in this manual on the Clamp Spring Assembly can cause injury or death. To Avoid injury follow the directions. If any of the individual components in the clamp assembly, is damaged or missing the entire clamp assembly system MUST be replaced.



USE ONLY HAYWARD GENUINE REPLACEMENT PARTS

WWW.HAYWARD.COM

HAYWARD® LIMITED WARRANTY

This equipment was inspected before shipment from our plant. To original purchasers of this equipment, Hayward Pool Products, 620 Division Street, Elizabeth, New Jersey, warrants its products free from defects in materials and workmanship for a period of **ONE (1)** year from the date of purchase.

Parts which fail or become defective during the warranty period, except as a result of freezing, negligence, improper installation, use, or care, shall be repaired or replaced, at our option, without charge, within 90 days of the receipt of defective product, barring unforeseen delays.

To obtain warranty replacements or repair, defective components or parts should be returned, transportation paid, to the place of purchase, or to the nearest authorized Hayward service center. For further Hayward dealer or service center information, contact Hayward customer service department. No returns may be made directly to the factory without the express written authorization of Hayward Pool Products.

To original purchasers of this equipment, Hayward Pool Products warrants its vacuum release systems to be free from defects in materials and workmanship for a period of **ONE (1)** year from the date of purchase.

Filters which become defective during the warranty period, except as a result of freezing, negligence, improper installation, use or care, shall be repaired or replaced, at our option, without charge.

All other conditions and terms of the standard warranty apply.

Hayward shall not be responsible for cartage, removal and/or reinstallation labor or any other such costs incurred in obtaining warranty replacements.

The Hayward Pool Products warranty does not apply to components manufactured by others. For such products, the warranty established by the respective manufacturer will apply.

Some states do not allow a limitation on how long an implied warranty lasts, or the exclusion or limitation of incidental or consequential damages, so the above limitation or exclusion may not apply to you.

This warranty gives you specific legal rights, and you may also have other rights, which vary from state to state.

***Supersedes all previous publications.**

**Hayward Pool Products
620 Division Street
Elizabeth, NJ 07207**

USE ONLY HAYWARD GENUINE REPLACEMENT PARTS

WWW.HAYWARD.COM

<p>PRODUCT REGISTRATION</p> <p style="text-align: center;">(Retain For Your Records)</p>
<p>DATE OF INSTALLATION _____</p> <p>PURCHASED FROM _____</p> <p>MODEL _____ SERIAL NUMBER _____</p> <p style="text-align: center;">▲ Retain this Warranty Certificate in a safe and convenient location for your records.</p>

▼ DETACH HERE: Fill out bottom portion completely and mail within 10 days of purchase/installation.

© Hayward Pool Products. 2016 All rights reserved.



HAYWARD®

Mail to: Hayward Pool Products., 620 Division Street, Elizabeth, NJ 07207, Attn: Warranty Dept.

Warranty Registration Card

Name _____

Years pool has been in service less than 1 1-3 3-5 5-10

Address _____

Purchased from:

City _____ State _____ Zip _____

Company name _____

E-mail Address _____

Address _____

Product Purchased _____

City _____ State _____ Zip _____

Product Serial No. _____

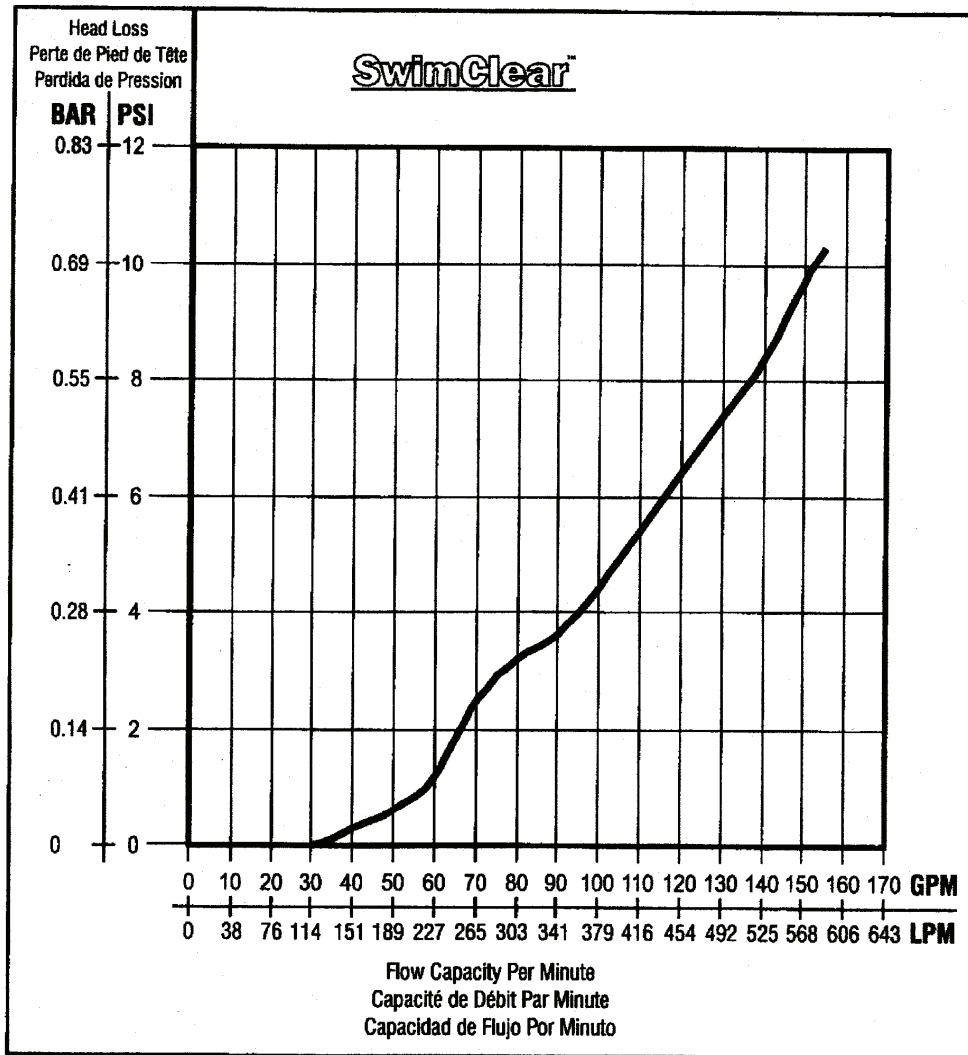
New Installation Replacement

Please send me more information on these other products from Hayward:

Type of Pool:
 Vinyl Fiberglass Gunite Above-ground

Pump Filter Automatic Pool Cleaner Light
 Chlorinator Skimmer Heater Heat Pump
 Salt/Chlorine Generator Controls

Size of Pool _____



USE ONLY HAYWARD GENUINE REPLACEMENT PARTS

WWW.HAYWARD.COM