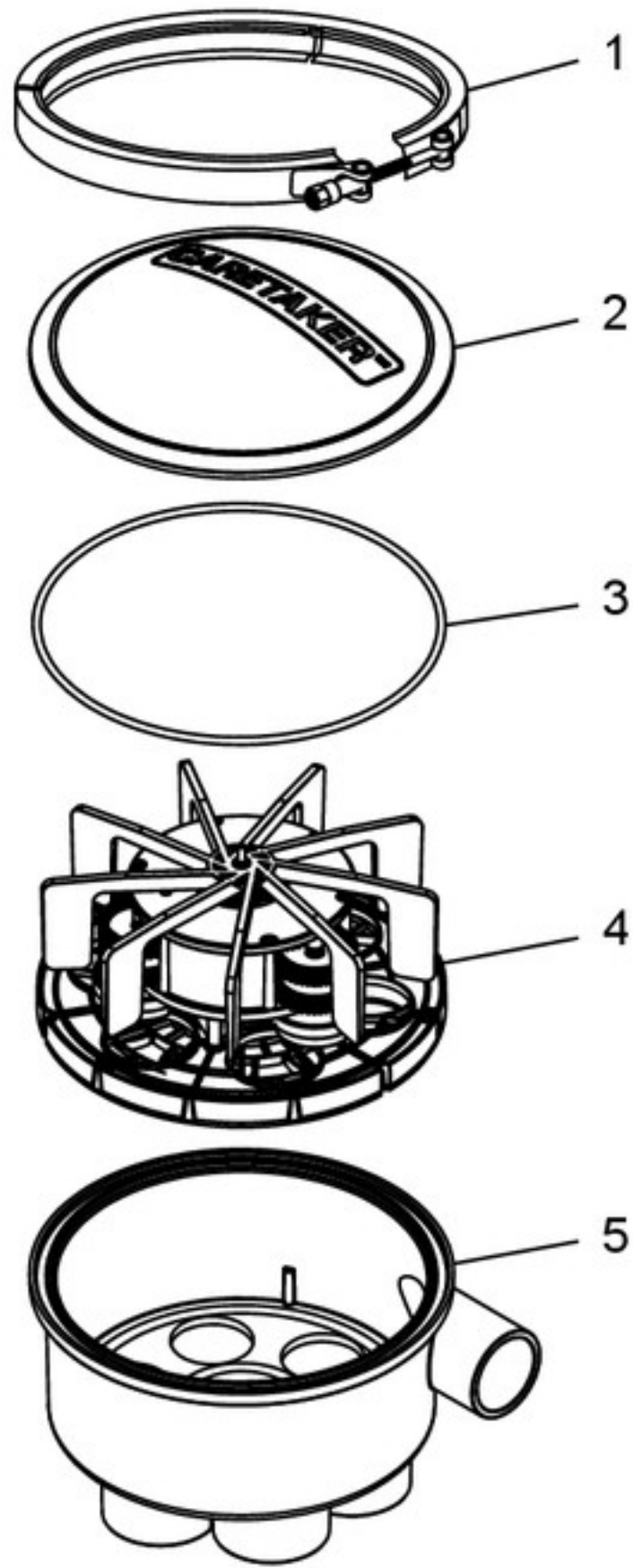
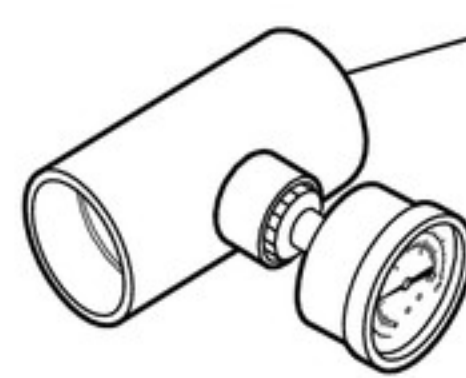


6-Port Valve Parts (Caretaker Revolution™)

Part# WK000030

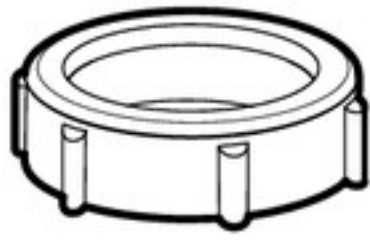
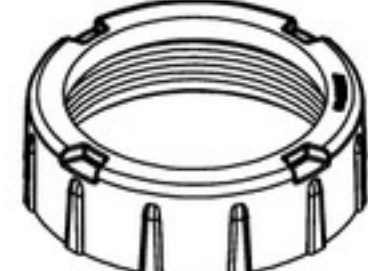


Key No.	Part No.	Description
1	WK000029	Band Clamp
2	WK000031	Lid
3	WK000032	O-Ring
4	WK000033	Cassette Assembly
5	WK000034	Body Housing, 2" Ports
6	WK000035*	Gauge Assembly 2"



* NOTE: Not included with WK000030. Only available as standalone part or included in Pre-Plumb Kit WK000036.

5-Port Valve Union Reference Guide

Part No.	4-1-2002	4-1-2003
Product Name	2" Union - No Cup Strainer	2" Union Complete, Black
		
Years in Use	1980-Present	2007-2014
Spec (inner diameter of slip fit)		2"
Spec (thread to thread on tailpiece)	35/8"	33/8"
Replacement O-Ring (Qty 1)		WK000025
Identifying Markings of Union	Blank, Polaris, CSI, 800 Phone Number, PVC Union	Hand Tighten Only
Valve Bottom Plate	1 1/2" Pipe	2" Pipe
Valve Compatibility for Bottom Ports	4-1-2002	4-1-2003
5-9-2000 5-Port Valve Complete 1 1/2"	X	
5-9-2200 5-Port Valve Complete 2"		X
5-9-2006 5-Port Replacement Valve 1 1/2"	X	
5-9-2026 5-Port Replacement Valve 2"		X
3-9-201 Top Housing w/ Adapter, No Gauge	X	
3-9-211 Top Housing w/ Adapter, No Gauge		X
Optional Multi-Use Tool (Part# 3-17-15)	X	N/A (Hand Tighten Only)

5-Port Hydraulic Valve Parts 1 1/2" and 2"

Part# 5-9-2000, 5-9-2200

Key No.	Part No.	Description
1	WK000025	O-Ring, 5-Port Union
2	1-1-216	Stainless Steel Cup Strainer
3	3-9-201	Top Housing w/ Threaded Union Adapter 1 1/2" - No Gauge
	3-9-211	Top Housing with Threaded Union Adapter 2" - No Gauge
4	R0532700	Pressure Gauge
5	5-9-2001	Water Valve Rebuilding Kit (kit includes: gears, plungers, 5 ball bearings, 12 screws, 12 nuts, 5 small O-rings and 2 large O-rings)
	5-9-2002	Complete Gould Water Valve Rebuilding Kit
6	3-13-1	O-Ring Kit (2 large)
	1-13-1	O-Ring Kit (1 large)
7	1-9-214	Valve Center Plate
8	3-9-216	V-Clamp w/ Nut
9	1-9-215	Bottom Plate, 1 1/2" Outlets
	1-9-239	Bottom Plate, 2" Outlets
11	4-1-2002	2" Union Non-buttruss for 1 1/2" Bottom Plate (no cup strainer) White
	4-1-2003	2" Union Complete (no cup strainer) Black
12	1-1-220	Pressure Relief Valve (30#)
13	5-13-1	O-Ring Kit (kit includes: 2 large, 5 small, and 2 union)
N/S	4-6-1	Replacement Timer (Dual Valve System)
14	5-9-2006	5-port Replacement Valve for the 1 1/2" version of the valve (Supersedes 4-9-2000 and 5-9-2004)
	5-9-2026	5-Port Replacement Valve for the 2" version of the valve (Supersedes 4-9-2001 and 5-9-2021)

N/S- Not shown

