



KREEPY KRAULY® SUCTION SIDE POOL CLEANER



INSTALLATION AND USER'S GUIDE

IMPORTANT SAFETY INSTRUCTIONS
READ AND FOLLOW ALL INSTRUCTIONS
SAVE THESE INSTRUCTIONS

CUSTOMER SERVICE / TECHNICAL SUPPORT

If you have questions about ordering Pentair Aquatic Systems replacement parts, and pool products, please contact:

Customer Service and Technical Support, USA
(8 A.M. to 5 P.M. — Eastern/Pacific Times)

Phone: (800) 831-7133

Fax: (800) 284-4151

Web site

Visit www.pentairpool.com or www.staritepool.com

Sanford, North Carolina (8 A.M. to 5 P.M. ET)

Phone: (919) 566-8000

Fax: (919) 566-8920

Moorpark, California (8 A.M. to 5 P.M. PT)

Phone: (805) 553-5000 (Ext. 5591)

Fax: (805) 553-5515

TABLE OF CONTENTS

Important Warning and Safety Instructions	ii	Maintenance	8
Warranty Information	iii	Foot Pad Replacement	8
Pool Preparation	1	Removing Debris from Flapper	8
Cleaner Components	1	Troubleshooting	9
Cleaner Assembly	2	Replacement Parts	11
Installation	4		
Standard Installation	4		
Vacuum Line Installation	5		
Cleaner Adjustments and Operation	6		
Hose Length	6		
Hose Balance	6		
Return Line Water Flow	7		
Eyeball Diverter Positions	7		

© 2013 Pentair Aquatic Systems. All rights reserved.

This document is subject to change without notice.

1620 Hawkins Ave., Sanford, NC 27330 • (919) 566-8000
10951 West Los Angeles Ave., Moorpark, CA 93021 • (805) 553-5000

All Pentair trademarks and logos are owned by Pentair, Inc. Pentair Aquatic Systems™ and Kreepy Krauly® are trademarks and/or registered trademarks of Pentair Water Pool and Spa, Inc. and/or its affiliated companies in the United States and/or other countries. Unless expressly noted, names and brands of third parties that may be used in this document are not used to indicate an affiliation or endorsement between the owners of these names and brands and Pentair Water Pool and Spa, Inc. Those names and brands may be the trademarks or registered trademarks of those third parties. Because we are continuously improving our products and services, Pentair reserves the right to change specifications without prior notice. Pentair is an equal opportunity employer.

P/N 371539 Rev. A 9/17/13

IMPORTANT WARNING AND SAFETY INSTRUCTIONS



Important Notice:


Attention Installer: This guide contains important information about the installation, operation and safe use of this product. This information should be given to the owner and/or operator of this equipment after installation of the pool cleaner.

Attention User: This manual contains important information that will help you in operating and maintaining this pool cleaner. Please retain it for future reference. Consult Pentair with any questions regarding this equipment.



WARNING Before installing this product, read and follow all warning notices and instructions which are included. Failure to follow safety warnings and instructions can result in severe injury, death, or property damage. Call (800) 831-7133 for additional free copies of these instructions.

Consumer Information and Safety

This pool cleaner is designed and manufactured to provide many years of safe and reliable service when installed, operated and maintained according to the information in this manual. Throughout the manual, safety warnings and cautions are identified by the “” symbol. Be sure to read and comply with all of the warnings and cautions.



HAZARDOUS SUCTION.

Do not play with cleaner or hose or apply to body. Can trap and tear hair or body parts. Hose can trip or entangle swimmers which could result in drowning.



SUCTION ENTRAPMENT, INJURY, AND DROWNING HAZARD.

If your pool has a dedicated suction port (“vac port”) for vacuuming or for an automatic pool cleaner, it must be covered when not in use. A spring loaded safety cover (a “vac port fitting”) is included with your cleaner. Install it on the suction port to prevent entrapment and injury. If the cover provided does not fit, purchase one that does from your local pool store and install it instead. The cover should conform to IAPMO SPS4-99A.



Stop pump before attempting to clean unit. Do not allow swimmers in pool while pool cleaner is operating.



To reduce the risk of injury, do not let children use or play with pool cleaner.



Do not allow swimmers in the pool while pool cleaner is operating. Hose can trip or entangle swimmers which could result in drowning.



Moving parts may injure hands or fingers. Stop pump before attempting to clean out pool cleaner head.



General Installation Information

Pre-Installation Check List

Before installing your cleaner, review and understand all warnings and safety information in this guide. Failure to follow these instructions or improper installation of the cleaner can result in damage to the pool finish or the vinyl liner, Pentair Aquatic Systems disclaims any liability for repairs or replacement to any of these structures or components of the customer's pool.

Before installing the cleaner in a vinyl liner pool:

Check liner closely for signs of deterioration or damage from age, chemicals, pool wall damage, etc. If any damage is found, have a qualified pool professional make all the necessary repairs. Also, if there are stones, roots, etc., under the liner, remove them before installing the cleaner.

Before installing the cleaner in a gunite pool or a pool that is partially or completely tiled:

Repair loose tiles and tighten any loose light rings.

Before installing the cleaner, clean your filter system:

Make sure you have cleaned the filter, including backwashing, rinsing, and emptying all baskets. A clean system is necessary for proper cleaner operation and coverage.

Before installing the cleaner, understand cleaner coverage:

The cleaner is designed to rid your pool of debris in approximately 4-6 hours. Less time could be needed, depending on the pool size. The cleaner was not designed to automatically clean steps or swimouts or to work under a solar cover. It was also not designed to do initial cleanup for a new pool or when opening your pool for the season.

AFTER installing the cleaner, make sure the cleaner is operating correctly:

The cleaner may need some minor adjustments to make sure it is operating properly so there is no damage to the pool finish. Certain vinyl liner patterns are particularly susceptible to surface wear, pattern removal, ink rubbing off of, or serious scratches to the pattern caused by objects coming into contact with the vinyl surface, including automatic pool cleaners. Pentair Aquatic Systems is not responsible for any pattern removal, abrasions or markings on vinyl liners.

Warnings and safety instructions for Pentair Aquatic Systems pumps and other related products are available at:
<http://www.pentairpool.com/pool-owner/safety-warnings/> or call (800) 831-7133 for additional free copies of these instructions.

Please refer to <http://www.pentairpool.com/pool-owner/safetywarnings/> for warning and safety instructions related to this product.

WARRANTY INFORMATION

Limited Warranty Terms & Conditions

Before installing your cleaner, review and understand all warnings, safety and warranty information in this guide. Failure to follow these instructions or improper installation of the cleaner can result in damage to the pool finish or the vinyl liner, Pentair Aquatic Systems disclaims any liability for repairs or replacement to any of these structures or components of the customer's pool.

The Cleaner manufacturer, Pentair Aquatic Systems ("Manufacturer"), hereby provides the following limited warranty to the purchaser ("Customer"): WHICH IS SUBJECT ONLY TO THE FOLLOWING CONDITIONS AND EXCLUSIONS:

This limited warranty does not include replacement of parts which become discolored due to exposure to sunlight or chemicals, or parts which, even if worn, do not affect performance of the cleaner. Nicks, scratches, fading, discoloration, etc. are cosmetic conditions that do not affect mechanical performance. **Both Manufacturer and dealer of Pentair Aquatic Systems reserve the right to deny any and all warranty claims made for worn parts if the wear does not negatively affect mechanical performance of the cleaner.**

The Cleaner is designed to function in a properly designed, constructed and maintained pool. This limited warranty does not extend in the circumstances where the pool's design, construction or maintenance is defective, substandard or inappropriate for the Cleaner's operation.

Deterioration, discoloration or brittleness of any pool finish can be caused over time separately by, or in combination with, age, an imbalance in water chemistry, improper installation, and other factors. Customer hereby disclaims any and all claims, and releases Manufacturer from any and all claims for damages to any pool plaster or vinyl liner in Customer's pool by reason of the use and/or operation of the Cleaner.

Under no circumstances shall Manufacturer be liable for any loss or damage, whether direct, consequential or incidental, arising out of the use or inability to use the Cleaner or the Hose in Customer's pool.

This limited warranty does not apply to any injury, loss, damage, defect, or malfunction of the Cleaner or failure to function resulting from any failure to operate or maintain the Cleaner in accordance with the directions contained in the Installation and Operation Manual or operating instructions provided by Pentair Aquatic Systems or any injury, loss, damage, defect, or malfunction, or failure to function resulting from any accident, acts of God, alterations in the Cleaner by anyone other than Manufacturer; or misuse, unreasonable use, tampering, abuse, acts, omissions, failure or negligence by anyone other than Manufacturer including but not limited to such damages or injuries to parts resulting from improper installation, or damage to pump parts resulting from running the pump dry (e.g., interruption in or inadequate supply of water to internal pump parts due to loss of prime, or obstruction in lines or otherwise); or damage, defect or malfunction resulting from defects in, failure or malfunction of, or negligence, abuse, or misuse with respect to equipment other than the Cleaner; or any damage or loss of any nature whatsoever and personal injury caused due to the presence of a foreign object in or about the pool.

Disclaimer of Liability About your Pool and Kreepy Krauly® Cleaner

There are a multitude of factors that contribute to the life of your pool. The pool cleaner is a very passive product that will have no impact on pool life.

Please be aware that over time, deterioration, discoloration and brittleness of any pool finish can be caused separately by, or in combination with, age, an imbalance in pool water chemistry, improper installation and other factors. Suction side pool cleaners, such as the Kreepy Krauly pool cleaner, will not remove or cause wear on "good" pool plaster. In fact, the opposite is true—pool plaster will eventually cause wear on the cleaner.

The same situation holds true for vinyl-lined in-ground swimming pools, because vinyl liners are also affected by the environment and factors such as pool water chemistry, sunlight and the pool's surroundings. Therefore over time, vinyl can become brittle and weak. In addition, vinyl-lined pools are affected by the workmanship, composition and installation of the liner and the workmanship and quality of construction of the supporting walls and pool base. These are all factors which can contribute to liner failure. The existence of any of these type of conditions in your pool is not caused by the use or operation of the Kreepy Krauly pool cleaner. The manufacturer disclaims any liability for repairs or replacement to any of these structures or components of the customer's pool.

The pool owner must assume all responsibility for the condition and maintenance of the pool's surface, water and deck.

Before the cleaner is installed, please take a moment to record the serial number. This number is located on your warranty card and on the back of the cleaner near the rear jets. You will be asked for this number when you contact our Technical Support Department.

SERIAL # _____

SAVE THESE INSTRUCTIONS

POOL PREPARATION

Pool Preparation

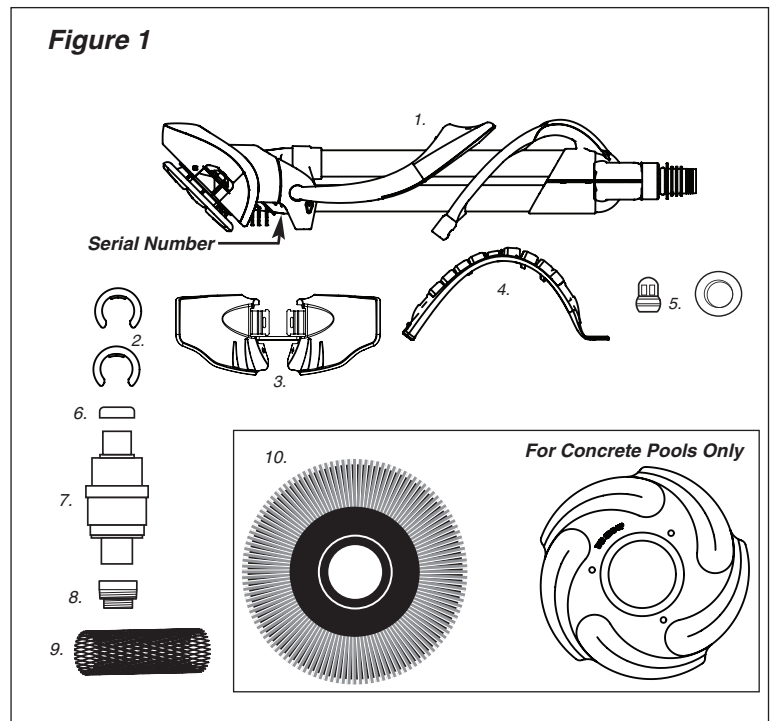
Before assembling and installing the Kreepy Krauly® Suction Side Pool Cleaner, your pool should be clean and algae-free so as not to inhibit the cleaner's traction. If necessary, make the following preparations before proceeding:

1. Chemically balance the pool water.
2. Brush pool and let the debris settle.
3. Hand vacuum thoroughly.
4. Clean filter and pump strainer basket.

Cleaner Components

Remove the cleaner and all parts from the box. Check to be sure all components are included.

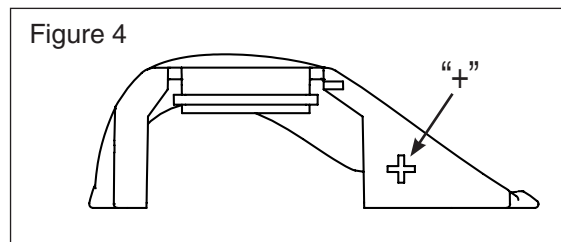
1. Kreepy Krauly cleaner
2. Hose weights (2)
3. Wings
4. Bumper assembly
5. Eyeball diverter and outer ring
6. Valve cap
7. Automatic regulator valve
8. Threaded compression adapter
9. Hose Protector
10. Pleated or flat seal
11. Hose – 12 Sections (not shown)
 - 11 Male/Female
 - 1 Female/Female



ASSEMBLING THE CLEANER

Step 1: Attach the Wings

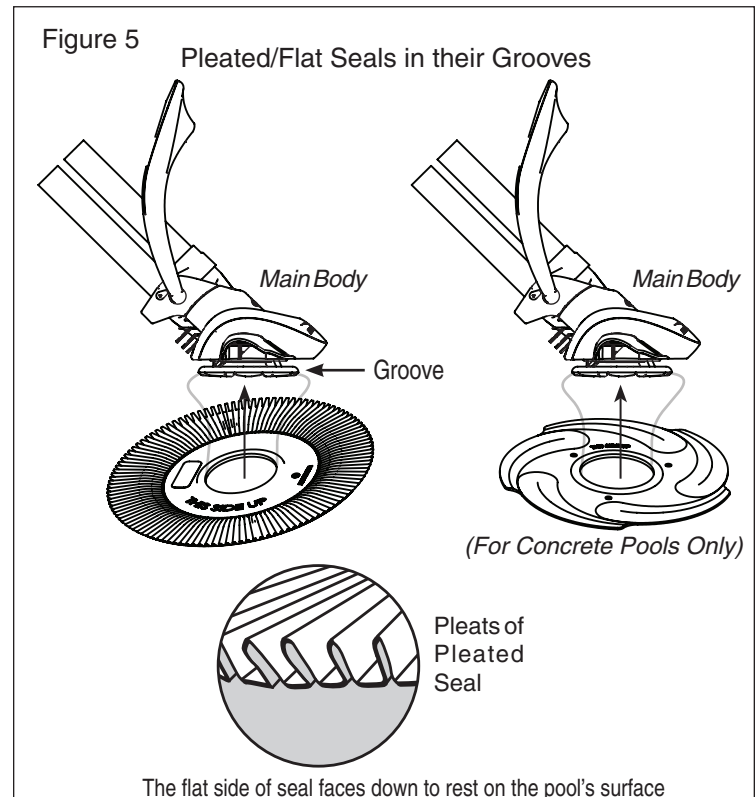
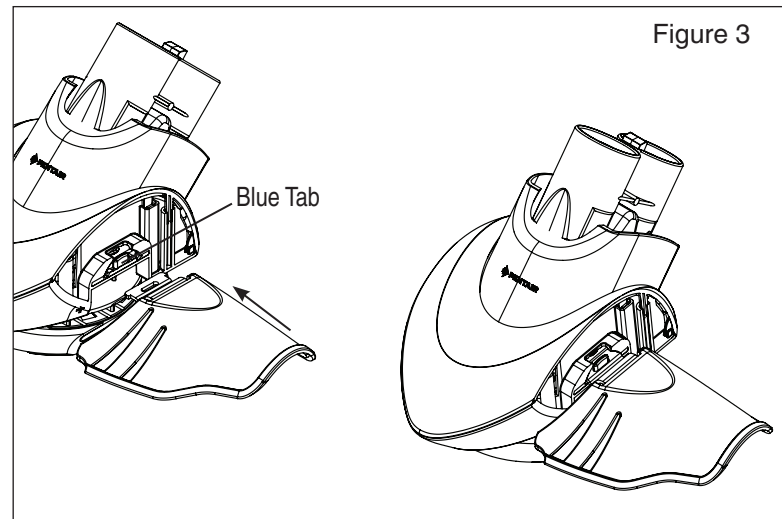
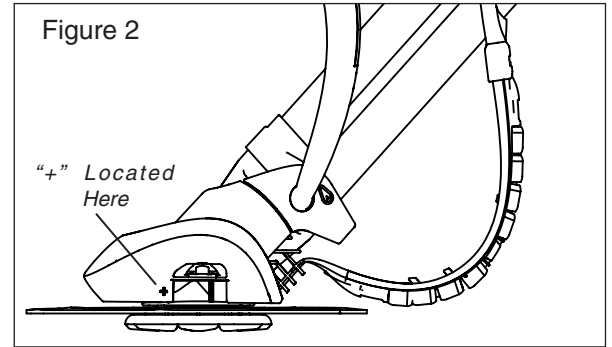
1. Looking at the front right of the Kreepy Krauly® Suction Side Pool Cleaner, locate the “+” on the right side of the body. **See Figure 2.**
2. Lay cleaner on its side so the “+” is facing upward.
3. Locate the wing with the “+” on the right inner wall of the wing. **See Figure 4.**
4. Hold wing at an angle and place the left side into the slot on cleaner, then the right side into slot, being sure to hook the wing securely on the blue tab inside the body of the cleaner. **See Figure 3.**
5. Gently pull on wing to ensure it's secure.
6. Turn over cleaner to left side and repeat steps 4 and 5 by inserting the left wing marked “o” to the left side of body marked “o.”



Step 2: Attach the Seal

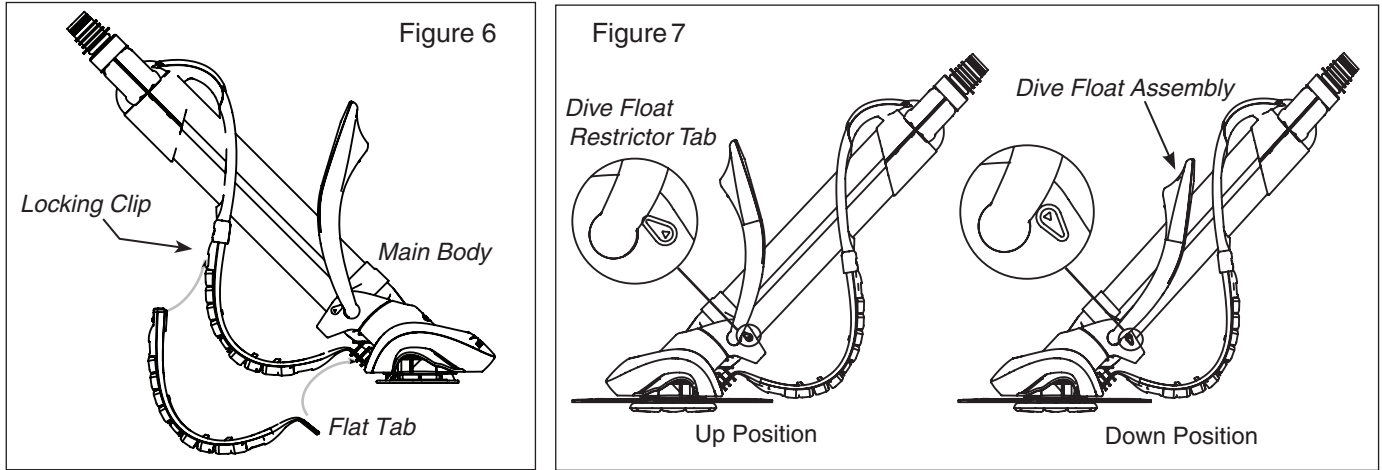
The cleaner comes equipped with one of two seals: the universal Pleated seal (all pool types) or the flat seal (concrete pools only). **See Figure 5.**

1. Locate the words “This Side Up” on the seal and face toward the main body.
2. Slip the seal over the footpad (flat side facing pool floor). Gently pull until the seal seats in the groove on the other side. **Be sure to install the seal with the flat side down and contoured side face up** (the seals are not reversible).
3. The seal should rotate freely.



Step 3: Attach Bumper Strap Assembly and Adjust Dive Float Restrictor

1. Insert the bottom end of the strap into the slot provided on the main body. Insert the top end of the strap into the locking clip attached to the swivel head. Be sure both ends are inserted. **See Figure 6.**
2. To adjust dive float assembly, locate two small tabs directly below dive float assembly. Rotate both dive float restrictors into the up position to prevent climbing or standard down position. **See Figure 7.**



Step 4: Assemble Hose and Hose Weights

1. To connect the hose sections, wet the ends in the pool water, then twist and push the female ends onto the male ends.

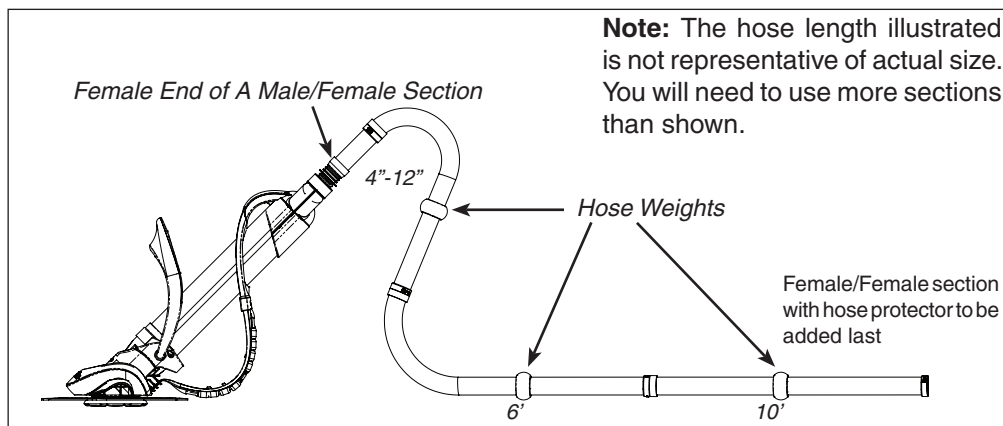
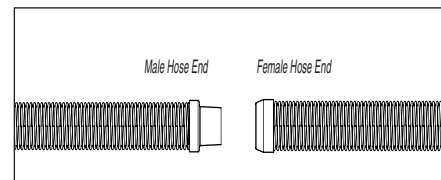
Note: One of the hose sections has two (2) female ends. This section should be fitted last and attached to pool vacuum connection.

2. The hose should reach from where the Kreepy Krauly® Suction Pool Cleaner is connected to the farthest point of the pool, plus one section.
3. Your cleaner comes with two hose weights. Attach hose weights to the hose based on **Table A**. The number of hose weights is determined by the maximum depth of your pool. The hose weights help to neutralize the hose's buoyancy in water.
4. Connect the hose to the cleaner.
5. Install the hose protector on the female/female hose section. Then connect the female/female end to the vacuum connection.

Note: May substitute 4 inch Female/Female hose.

Pool depth	Weight Placement
4 feet or less	1 weight: 4 to 12 inches from Kreepy Krauly's swivel head.
More than 4 feet, but less than 7 feet	2 weights: one 4 to 12 inches and one 6 feet from the swivel head.
More than 7 feet, but less than 12 feet	3 weights: * one 4 to 12 inches, one 6 feet and one 10 feet from the swivel head.
More than 12 feet	4 weights: * one 4 to 12 inches, one 6 feet, one 10 feet, and one 12 feet from the swivel head.

* Contact your Pentair Pool Products dealer if you need to purchase additional hose weights.



INSTALLING THE CLEANER

Standard Installation

The Kreepy Krauly® Suction Side Pool Cleaner is designed to work in a wide variety of swimming pools. Both the standard in-skimmer installation and optional vacuum line installation are covered in this section. Check to see which most closely fits your pool configuration and follow the directions.

Depending on the particular features of your pool, the valve cap for the automatic regulator valve may not be needed.

For pools with one skimmer, using the automatic regulator valve.

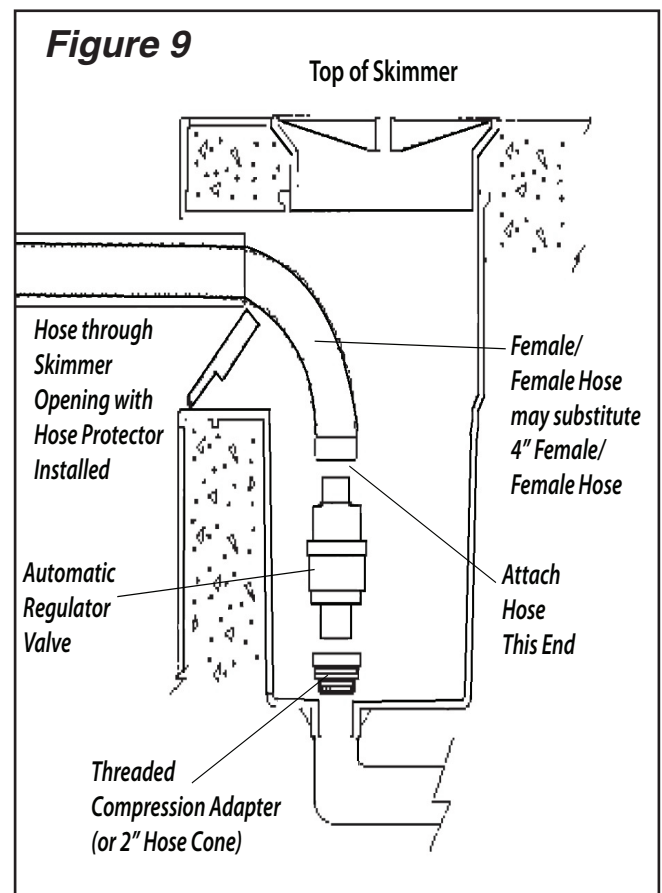
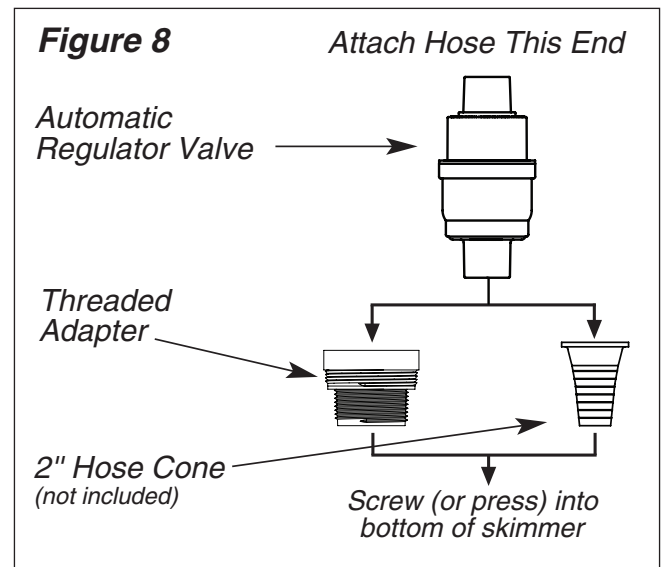
During this installation, the automatic regulator valve automatically balances the water flow between the skimmer and cleaner. The valve automatically adjusts to changes in the amount of water flow to provide the Kreepy Krauly cleaner with the power necessary to ensure proper cleaning performance. **We strongly recommend the use of the automatic regulator valve for maximum safety and performance.**

1. Turn the pool pump off.
2. Close the main drain and all suction lines, except the line from the skimmer to which the cleaner will be connected.
3. Remove skimmer basket.
4. Screw the threaded compression adapter into the vacuum connection in the bottom of the skimmer. **See Figure 9.**

Note: Use two wraps of thread seal tape around threads to ensure easy removal. (If the opening in the bottom of the skimmer is not threaded, use a 2" hose cone, as shown in **Figure 8**. It is not included with your cleaner, but can be purchased from your Pentair dealer.)

5. Press the automatic regulator valve into the threaded compression adapter. The end of the valve that is marked "Attach Hose This End" must point up.
6. Place cleaner into the pool and allow it to sink to the floor. Continue to feed the hose vertically down into the pool until it is completely filled with water and purged of air.
7. Slide the hose protector into position on the hose to prevent the hose body from rubbing against the skimmer wall.
8. Insert the end of the hose through the skimmer opening and connect the hose directly onto the automatic regulator valve.

The following accessories are **not provided**:
2" hose cone (P/N K121110)



Optional Vacuum Line Installation

Vacuum Line Installation with Automatic Regulator Valve in Skimmer.

We recommend the use of the automatic regulator valve to balance water flow between Kreepy Krauly® Suction Side Pool Cleaner and the skimmer. Install the automatic regulator valve in the skimmer when attaching the cleaner to a dedicated vacuum line.

1. Turn the pool pump off.
2. Close the main drain and all suction lines, except the lines from the skimmer and the suction line to which the cleaner will be connected.
3. Thread the snap-lock wall fitting into the end of the dedicated suction line. Then insert the male end of the 45° hose connector into the snap-lock fitting.

Note: Use two wraps of thread seal tape around the threads to ensure easy removal.

4. For this installation, remove the female/female hose section.
5. Place the cleaner (with the hose and hose weights assembled and attached) into the pool and allow it to sink to the floor. Continue to feed the hose vertically down into the pool until it is completely filled with water and purged of air.
6. Insert the male hose end of the last hose section into the 45° hose connector or directly into the snap-lock wall fitting. **Reminder: Do not use the female/female hose section in this installation.**

7. Screw the threaded compression adapter into the vacuum connection in the bottom of the skimmer. **Note:** Use two wraps of thread seal tape around the threads to ensure easy removal.

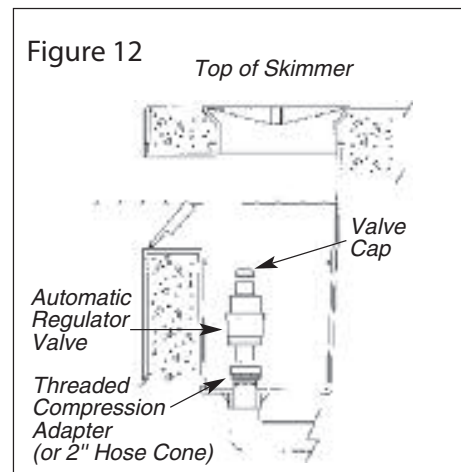
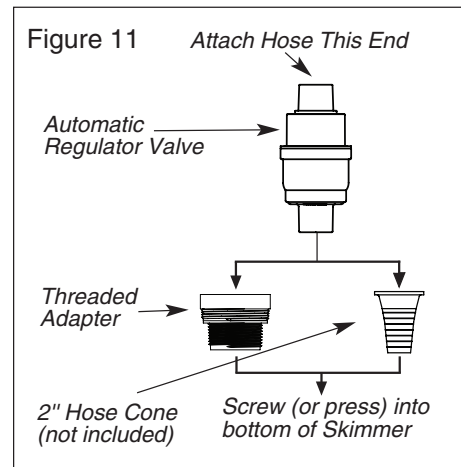
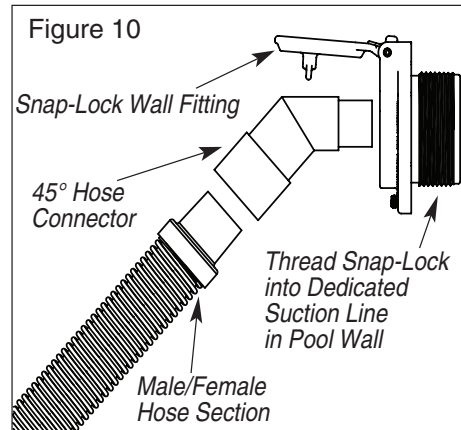
If the opening in the bottom of the skimmer is **not** threaded, use a 2" hose cone. The 2" hose cone is not provided but can be purchased from your Pentair Pool Products dealer. **Pictured in Figure 11.**

8. To prevent water from flowing through the top of the automatic regulator valve, fasten the valve cap onto the top of the regulator valve. This activates the regulator valve and assures that an accurate amount of water (25 GPM) will flow through the vacuum line and the cleaner. Without the valve cap, the automatic regulator valve and the cleaner will not function properly.
9. Press the automatic regulator valve into the threaded compression adapter.

After completing the installation, turn the pool pump on. Allow the pump to run for a couple of minutes to be sure all air cycles out of the system.

The following accessories are **not provided**:

Snap-Lock Wall Fitting NSF (P/N GW9530) and 45° Hose Connector (P/N K12078)



CLEANER ADJUSTMENTS AND OPERATION

After installation, turn the pool pump on. The Kreepy Krauly® Suction Side Pool Cleaner should be moving about the pool at a rate of 8 to 12 feet per minute. Be sure to check each of the following initial adjustments.

Hose Length

IMPORTANT: The pump must be on when you check the hose length. The hose contracts when the pump is operating and will be longer when the pump is off.

While the cleaner is operating:

1. Position cleaner at the furthest point of the pool from where it's attached. (Use a pool pole and brush to easily position the cleaner in the pool.)
2. The hose should be long enough to reach the end of the pool, plus one hose section.
3. If there is excess hose, be sure to remove the sections from the center portion of hose. This avoids disturbing the hose weight placement.
4. Save extra hose sections for use as needed for replacement.

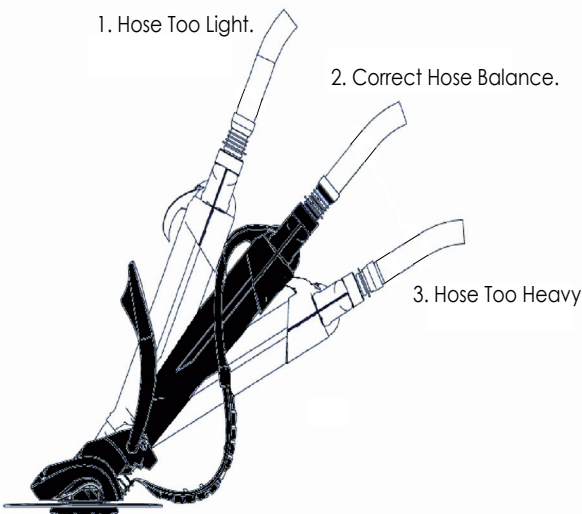
Note: Turn pool pump off when adding or removing hose sections.

Hose Balance

To determine correct hose balance, turn the pump off and note the cleaner's position in the pool.

Correct Hose Balance: Cleaner seal sits flat on the pool floor and the drive tube makes 45° angle with the pool floor. For maximum cleaning coverage, the hose does not pull up or down on the unit.

Adjust hose weights one inch at a time, as needed, to achieve proper hose balance. In pools with both shallow and deep areas, adjust hose weights first in the deep area and then in the shallow area.



Cleaner Position	Hose Weights
More than 45° from pool floor (Hose is too Light)	Move weights closer to cleaner <i>(or move first two weights closer to each other)</i>
Less than 45° from pool floor (Hose is too Heavy)	Move weights away from cleaner <i>(or separate first two weights away from each other)</i>

Return Line Water Flow

IMPORTANT: The water flow from your return line can push the Kreepy Krauly® Suction Side Cleaner's hose and affect its performance. It may cause the cleaner to steer away from the end of the pool where the return line is located, or it may cause your cleaner to remain in one section of the pool. To correct this, use the eyeball diverter included. If the eyeball does not fit your pool, use the wire diverter.

(P/N K121620) Wire diverter available for purchase from your Pentair Pool Products dealer.

To install the eyeball diverter:

- First make sure your pool pump is off. Remove the original eyeball from the return line at the pool by unscrewing the lock ring.
- Replace the original eyeball with the Kreepy Krauly cleaner eyeball diverter.
- Replace the lock ring and tighten. Make sure the opening of the eyeball diverter points in the proper direction before tightening fully.

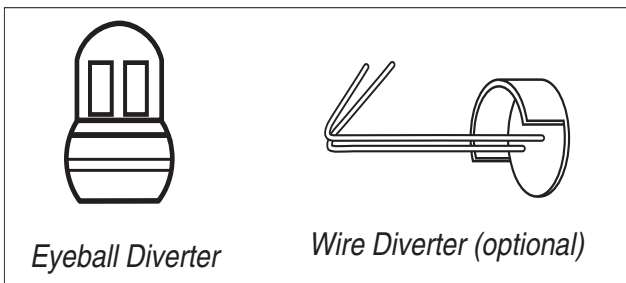
IMPORTANT: The eyeball diverter must fit snugly into the eyeball fitting. Some eyeball fittings, like Aqua Leader™ or Olympic™, may be too large for the eyeball diverter. For this situation, use the outer ring supplied with your cleaner to adjust for the discrepancy in size.

Eyeball Diverter Positions

Position the diverter opening to redirect the return line water flow so it does not interfere with the cleaner's movement. Try different positions to see which works best in your pool:

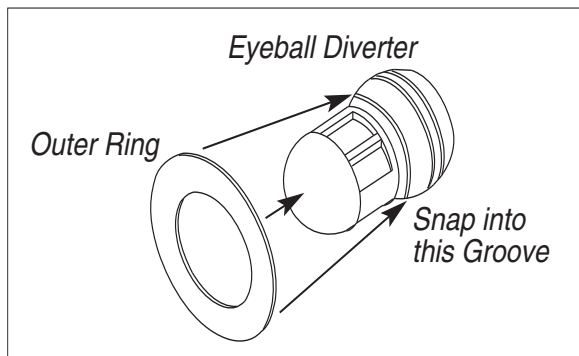
- flow directed along the side of pool (the tile line).
- flow directed downward.
- flow directed against the hose will help steer the cleaner away from obstructions such as stairs and ladders.

After installing the eyeball diverter, turn the pool pump on. The cleaner should begin moving across the pool floor vacuuming up debris in its path.



Eyeball Diverter

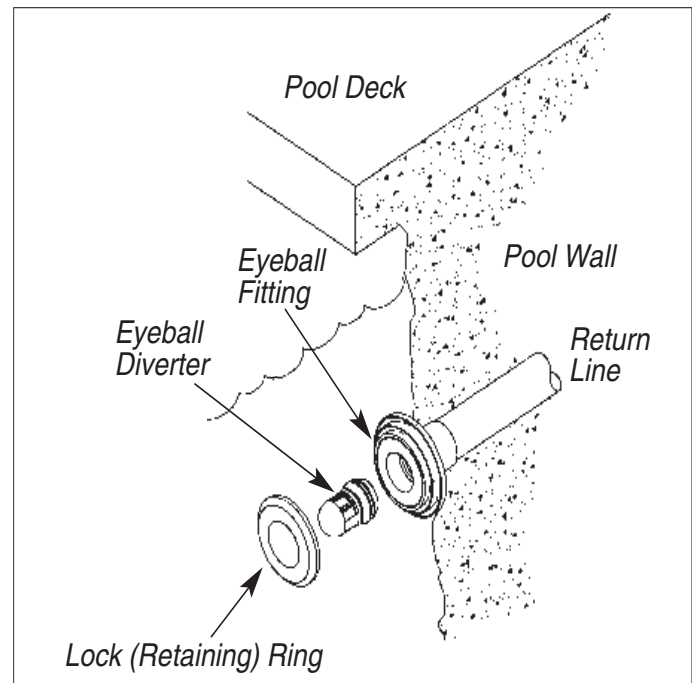
Wire Diverter (optional)



Outer Ring

Eyeball Diverter

Snap into this Groove



Pool Deck

Eyeball Fitting

Pool Wall

Eyeball Diverter

Return Line

Lock (Retaining) Ring

MAINTENANCE

Kreepy Krauly® Suction Side Pool Cleaner requires almost no maintenance. Visually inspect your cleaner from time to time to make sure that:

- The flapper is moving freely and is not obstructed by debris.
- The foot pad is not excessively worn. When the traction pads on the bottom have worn down, it is time for replacement. **See Figures 15 and 16.**
- We recommend that you leave the cleaner in your pool, except during chemical shock treatments.
 - During swimming it is easy to unplug the cleaner and pull it to one side.
 - **When storing the cleaner, do not coil the hose. Lay the hose flat in an area protected from direct sunlight.** If hose sections are disconnected, try not to disturb the hose weight locations.
- This cleaner's hose is specially designed to ensure optimum cleaner performance. Should replacement be required, insist on genuine Kreepy Krauly cleaner hose.

To Remove Debris From The Flapper

- Sometimes debris may clog the bottom of the cleaner and prevent flapper movement or restrict flow. The flapper is located inside the main body and must move freely at all times. You can see the flapper through the opening in the baffle plate, when you turn the cleaner upside down as shown in **Figure 17**. Jiggle the flapper with your finger or flush the cavity with a hose to force out any debris lodged inside the main body.
- If debris is still lodged inside, you must remove the flapper.

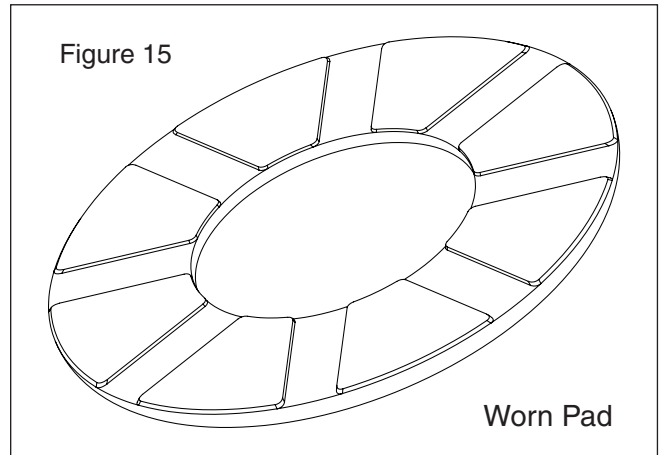
First, lift the lip of the foot pad and insert a flat-head screwdriver along side one of the two tabs found on the baffle plate. **See Figure 17**. Push the tab inward with the screwdriver until the baffle plate releases.

Place a finger into the center opening of the baffle plate and pull up until it pops out. Then pull the flapper out.

Note: You should be able to do this without taking the foot pad off.

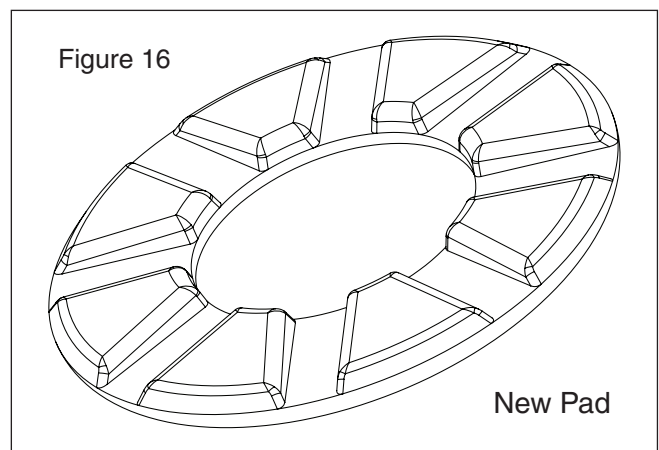
- Once the debris is dislodged, insert the flapper back into the main body and snap the baffle plate back into position. Be sure that it is securely in place. **See Figure 17.**

Figure 15



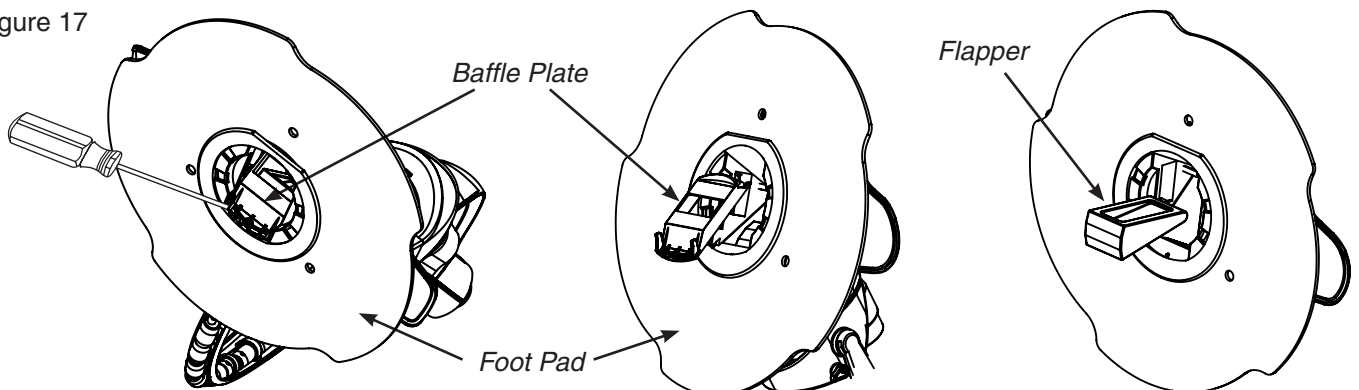
Worn Pad

Figure 16



New Pad

Figure 17



TROUBLESHOOTING

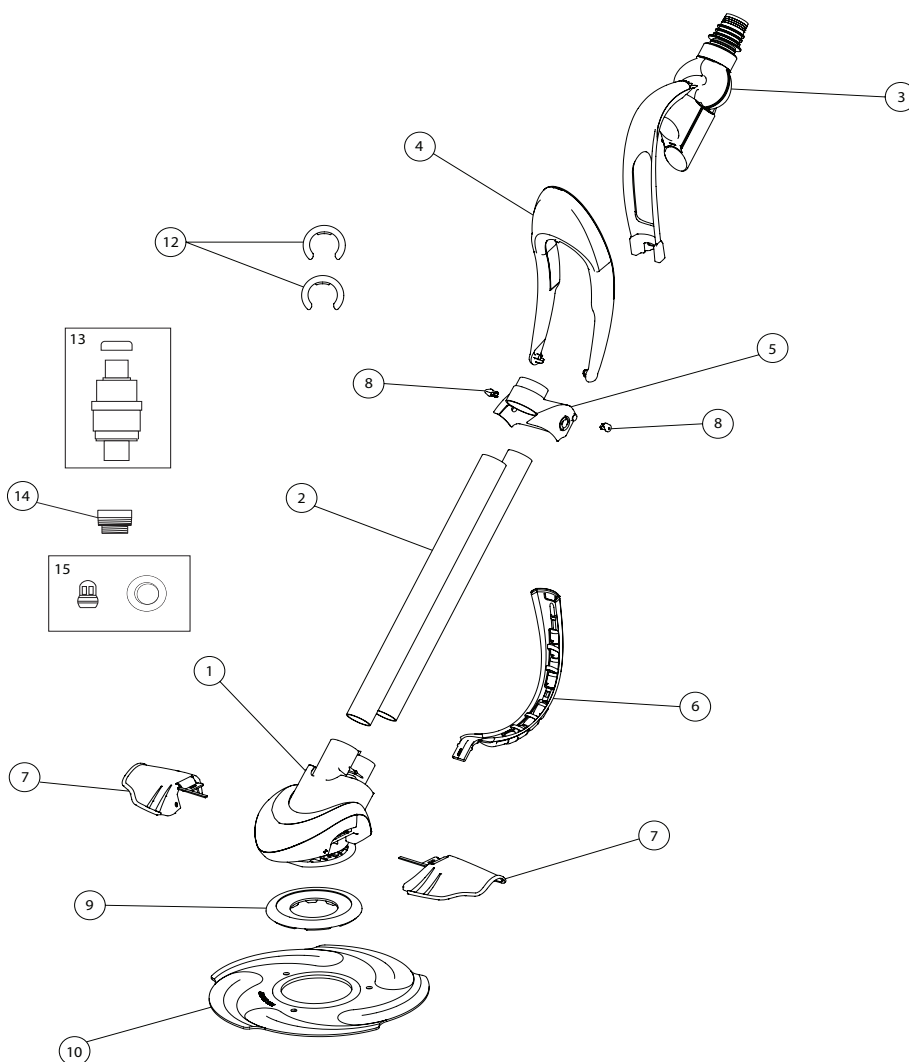
Because of the individual characteristics of your pool, some additional adjustments may be required to get the best performance from your Kreepy Krauly® Suction Side Pool Cleaner. Use the following information to resolve possible issues.

PROBLEM	CORRECTIVE ACTION
Cleaner is not moving or not pulsating.	<p>Check to be sure that the main drain and all suction lines are closed, except for the suction line to which the cleaner is attached.</p> <p>Check for debris in the filter or pump basket.</p> <p>Check for debris in cleaner flapper. Debris may prevent flapper movement or restrict flow. See page 8 for instructions.</p> <p>Pool pump and filter system may be too small (incapable of providing 25 gallons per minute water flow). Consult your pool professional.</p>
Cleaner stays in one end of the pool.	<p>Check the return line water flow and redirect as necessary with an eyeball diverter. Refer to page 7.</p> <p>Check that hose is long enough to reach to end of pool. Refer to page 6.</p> <p>Check that the cleaner has proper hose balance. Refer to page 6.</p>
Cleaner stays on the main drain.	<p>Check to be sure that main drain is closed. May need assistance from a pool professional.</p> <p>Check to be sure a main drain grate is installed.</p> <p>If main drain is not flush with the pool floor, consult your pool professional.</p>
Cleaner slows or stops and air bubbles enter the pool at the return line.	<p>Find and correct the air leak that is causing the pump to lose its prime:</p> <p>Check the hose to be sure there are no leaks.</p> <p>Check the vacuum connection. It should be submerged so no air enters the system.</p> <p>Check the pump basket lid for looseness, cracks, and worn or missing O-rings. If you need assistance, contact your pool professional.</p>
Cleaner pulls air from, or remains at the water surface.	<p>Check that dive float mechanism is operating freely and the dive float restrictors are in the desired position. See page 3.</p> <p>Check the automatic regulator valve for its proper installation and ensure it is not clogged with debris.</p> <p>Make sure the water level is at least 3 inches below the pool deck.</p> <p>Check that cleaner is operating at the proper speed of 8-12 feet per minute.</p>
Cleaner stays at the shallow end steps.	<p>Check the return line water flow and redirect as necessary with an eyeball diverter.</p> <p>Check the automatic regulator valve for its proper installation and ensure it is not clogged with debris.</p> <p>Check that hose is long enough to reach the furthest point of the pool, including pool steps. Check for proper hose balance and cleaner is operating at the proper speed of 8-12 feet per minute.</p> <p>Check to ensure the dive float mechanism is operating freely and the dive float restrictor tab is in the up position. See page 3.</p>
If cleaner gets stuck on pool obstructions such as a safety ledge, ladders, steps, swim-outs, benches, etc.	<p>If the cleaner gets stuck under your pool ladder, install a Ladder Guard (P/N K12330) according to the instructions contained in the packaging. (These accessories are available for purchase from your Pentair Aquatics dealer.)</p>

Troubleshooting, (Continued)

PROBLEM	CORRECTIVE ACTION
Cleaner goes in repetitive pattern.	<p>Check the swivel on the top of Kreepy Krauly® Suction Side Pool Cleaner. It should turn freely.</p> <p>Check the return line water flow and re-direct as necessary with an eyeball diverter. Refer to page 7.</p> <p>Check the cleaner hose to ensure it has not become bent or kinked. It only takes one bent or kinked hose section to hinder the cleaning coverage. One way to check for kinks in your hose is to lay each section flat on your pool's deck (or other flat surface). The hose should be perfectly straight and flat. Do not coil the hose when taking your Kreepy Krauly cleaner out of the pool because it will retain the coil shape, forming a bend or kink.</p>

REPLACEMENT PARTS



Item Number	P/N	DESCRIPTION
1	370500Z	Main Body Motor Housing
2	370486Z	Drive Tube (contains 1 tube)
3	370496Z	Swivel Assembly
4	370497Z	Dive Float
5	370498Z	Weight Holder (includes dive float restrictor set)
6	370499Z	Bumper Assembly
7	370492Z	Wing Set
8	370482Z	Dive Float Restrictor Set (contains 2)
9	K12059	Foot Pad
10	370478Z	Flat Seal

Item Number	P/N	DESCRIPTION
11*	370483Z	Pleated Seal
12	370494Z	Hose Weight (contains 2)
13	K12004	Automatic Regulator Valve and Valve Cap Kit
14	K12079	Threaded Compression Adapter
15	K121680	Eyeball Diverter and Outer Ring
16*	370524	20pc Male/Female Hose Set 40"
17*	370533	12pc Male/Female Hose Set 32"
18*	370521	12pc Male/Female Hose Set 40"
19*	370536Z	Hose Female/Female 370536 4"

Note: (*) Not Shown



1620 HAWKINS AVE., SANFORD, NC 27330 • (919) 566-8000
10951 WEST LOS ANGELES AVE., MOORPARK, CA 93021 • (805) 553-5000
WWW.PENTAIRPOOL.COM

© 2013 Pentair Aquatic Systems. All rights reserved.

This document is subject to change without notice.



P/N 371539 REV. A 9/17/13