



**SharkVAC XL<sup>TM</sup> / e.VAC PRO<sup>TM</sup>**  
by **HAYWARD<sup>®</sup>**  
**Owner's Manual**

**SharkVAC XL<sup>TM</sup> / e.VAC PRO<sup>TM</sup>**  
par **HAYWARD<sup>®</sup>**  
**Manuel du propriétaire**

**SharkVAC XL<sup>TM</sup> / e.VAC PRO<sup>TM</sup>**  
de **HAYWARD<sup>®</sup>**  
**Manual del propietario**

# SharkVAC XL™ / e.VAC PRO™

by **HAYWARD®**

## Owner's Manual

	<b>Contents</b>
	Warnings ..... 3
	Information ..... 5
	Operating Instructions ..... 7
	Maintenance ..... 11
	Troubleshooting ..... 17
	Warranty Registration..... 22

## IMPORTANT SAFETY INSTRUCTIONS

Basic safety precautions should always be followed, including the following: Failure to follow instructions can cause severe injury and/or death.

**!** This is the safety-alert symbol. When you see this symbol on your equipment or in this manual, look for one of the following signal words and be alert to the potential for personal injury.

**!** **WARNING** warns about hazards that **could** cause serious personal injury, death or major property damage and if ignored presents a potential hazard.

**!** **CAUTION** warns about hazards that **will** or **can** cause minor or moderate personal injury and/or property damage and if ignored presents a potential hazard. It can also make consumers aware of actions that are unpredictable and unsafe.

Hayward Pool Products  
620 Division Street, Elizabeth, NJ 07207  
Phone: (908) 351.5400  
[www.hayward.com](http://www.hayward.com)



**⚠ WARNING** - Read and follow all instructions in this owner's manual and on the equipment. Failure to follow instructions can cause severe injury and/or death.

**⚠ WARNING** - Suction Entrapment Hazard.



Suction in suction outlets and/or suction outlet covers which are, damaged, broken, cracked, missing, or unsecured can cause severe injury and/or death due to the following entrapment hazards:



**Hair Entrapment-** Hair can become entangled in suction outlet cover.



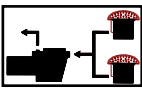
**Limb Entrapment-** A limb inserted into an opening of a suction outlet sump or suction outlet cover that is damaged, broken, cracked, missing, or not securely attached can result in a mechanical bind or swelling of the limb.



**Body Suction Entrapment-** A negative pressure applied to a large portion of the body or limbs can result in an entrapment.

**Evisceration/ Disembowelment** - A negative pressure applied directly to the intestines through an unprotected suction outlet sump or suction outlet cover which is, damaged, broken, cracked, missing, or unsecured can result in evisceration/ disembowelment.

**Mechanical Entrapment-** There is potential for jewelry, swimsuit, hair decorations, finger, toe or knuckle to be caught in an opening of a suction outlet cover resulting in mechanical entrapment.



**⚠ WARNING** - To Reduce the risk of Entrapment Hazards:

- When outlets are small enough to be blocked by a person, a minimum of two functioning suction outlets per pump must be installed. Suction outlets in the same plane (i.e. floor or wall), must be installed a minimum of three feet (3') [1 meter] apart, as measured from near point to near point.
- Dual suction fittings shall be placed in such locations and distances to avoid "dual blockage" by a user.
- Dual suction fittings shall not be located on seating areas or on the backrest for such seating areas.
- The maximum system flow rate shall not exceed the flow rating of as listed on Table 1.
- Never use Pool or Spa if any suction outlet component is damaged, broken, cracked, missing, or not securely attached.
- Replace damaged, broken, cracked, missing, or not securely attached suction outlet components immediately.
- In addition two or more suction outlets per pump installed in accordance with latest ASME, APSP Standards and CPSC guidelines, follow all National, State, and Local codes applicable.
- Installation of a vacuum release or vent system, which relieves entrapping suction, is recommended.

**⚠ WARNING** - Failure to remove pressure test plugs and/or plugs used in winterization of the pool/spa from the suction outlets can result in an increase potential for suction entrapment as described above.

**⚠ WARNING** - Failure to keep suction outlet components clear of debris, such as leaves, dirt, hair, paper and other material can result in an increase potential for suction entrapment as described above.

**⚠ WARNING** - Suction outlet components have a finite life, the cover/grate should be inspected frequently and replaced at least every ten years or if found to be damaged, broken, cracked, missing, or not securely attached.

**⚠ CAUTION** - Components such as the filtration system, pumps and heater must be positioned so as to prevent their being used as means of access to the pool by young children.

**⚠ WARNING** - Never operate or test the circulation system at more than 50 PSI.

**⚠ WARNING** - Never change the filter control valve position while the pump is running.

**⚠ WARNING** - To reduce risk of injury, do not permit children to use or climb on this product. Closely supervise children at all times. Components such as the filtration system, pumps, and heaters must be positioned to prevent children from using them as a means of access to the pool.



**⚠ WARNING** - **Hazardous Pressure.** Pool and spa water circulation systems operate under hazardous pressure during start up, normal operation, and after pump shut off. Stand clear of circulation system equipment during pump start up. Failure to follow safety and operation instructions could result in violent separation of the pump housing and cover, and/or filter housing and clamp due to pressure in the system, which could cause property damage, severe personal injury, or death. Before servicing pool and spa water circulation system, all system and pump controls must be in off position and filter manual air relief valve must be in open position. Before starting system pump, all system valves must be set in a position to allow system water to return back to the pool. Do not change filter control valve position while system pump is running. Before starting system pump, fully open filter manual air relief valve. Do not close filter manual air relief valve until a steady stream of water (not air or air and water) is discharged.



**⚠ WARNING** - **Separation Hazard.** Failure to follow safety and operation instructions could result in violent separation of pump and/or filter components. Strainer cover must be properly secured to pump housing with strainer cover lock ring. Before servicing pool and spa circulation system, filters manual air relief valve must be in open position. Do not operate pool and spa circulation system if a system component is not assembled properly, damaged, or missing. Do not operate pool and spa circulation system unless filter manual air relief valve body is in locked position in filter upper body.



# HAYWARD®



**⚠ WARNING - Risk of Electric Shock.** All electrical wiring **MUST** be in conformance with applicable local codes, regulations, and the National Electric Code (NEC). Hazardous voltage can shock, burn, and cause death or serious property damage. To reduce the risk of electric shock, do **NOT** use an extension cord to connect unit to electric supply. Provide a properly located electrical receptacle. Before working on any electrical equipment, turn off power supply to the equipment.

**⚠ WARNING -** To reduce the risk of electric shock replace damaged wiring immediately. Locate conduit to prevent abuse from lawn mowers, hedge trimmers and other equipment.

**⚠ WARNING -** Electrical ground all electrical equipment before connecting to electrical power supply. Failure to ground all electrical equipment can cause serious or fatal electrical shock hazard.

**⚠ WARNING -** Do **NOT** ground to a gas supply line.

**⚠ WARNING -** To avoid dangerous or fatal electrical shock, turn **OFF** power to all electrical equipment before working on electrical connections.

**⚠ WARNING -** Failure to bond all electrical equipment to pool structure will increase risk for electrocution and could result in injury or death. To reduce the risk of electric shock, see installation instructions and consult a professional electrician on how to bond all electrical equipment. Also, contact a licensed electrician for information on local electrical codes for bonding requirements.

**Notes to electrician:** Use a solid copper conductor, size 8 or larger. Run a continuous wire from external bonding lug to reinforcing rod or mesh. Connect a No. 8 AWG (8.4 mm<sup>2</sup>) [No. 6 AWG (13.3 mm<sup>2</sup>) for Canada] solid copper bonding wire to the pressure wire connector provided on the electrical equipment and to all metal parts of swimming pool, spa, or hot tub, and metal piping (except gas piping), and conduit within 5 ft. (1.5 m) of inside walls of swimming pool, spa, or hot tub. **IMPORTANT -** Reference NEC codes for all wiring standards including, but not limited to, grounding, bonding and other general wiring procedures.

**⚠ WARNING - Risk of Electric Shock.** Connect only to a branch circuit protected by a ground-fault circuit-interrupter (GFCI). Contact a qualified electrician if you cannot verify that the circuit is protected by a GFCI.

**⚠ WARNING - Risk of Electric Shock.** The electrical equipment must be connected only to a supply circuit that is protected by a ground-fault circuit-interrupter (GFCI). Such a GFCI should be provided by the installer and should be tested on a routine basis. To test the GFCI, push the test button. The GFCI should interrupt power. Push reset button. Power should be restored. If the GFCI fails to operate in this manner, the GFCI is defective. If the GFCI interrupts power to the electrical equipment without the test button being pushed, a ground current is flowing, indicating the possibility of an electrical shock. Do not use this electrical equipment. Disconnect the electrical equipment and have the problem corrected by a qualified service representative before using.

**⚠ CAUTION -** This pump is intended for use with permanently-installed pools and may be used with hot tubs and spas if so marked. Do not use with storable pools. A permanently-installed pool is constructed in or on the ground or in a building such that it cannot be readily disassembled for storage. A storable pool is constructed so that it is capable of being readily disassembled for storage and reassembled to its original integrity.

## SAVE THESE INSTRUCTIONS

### Hayward® Pool Products Limited Warranty

To original purchasers of this equipment, Hayward Pool Products, Inc. warrants its cleaners to be free from defects in materials and workmanship for a period of TWO (2) years from the date of purchase, when used in single family residential applications.

The limited warranty excludes damage from freezing, negligence, improper installation, improper use or care or any Acts of God. Parts that fail or become defective during the warranty period shall be repaired or replaced, at our option, within 90 days of the receipt of defective product, barring unforeseen delays, without charge.

Proof of purchase is required for warranty service. In the event proof of purchase is not available, the manufacturing date of the product will be the sole determination of the purchase date.

To obtain warranty service, please contact the place of purchase or the nearest Hayward Authorized Service Center. For assistance on your nearest Hayward Authorized Service Center please visit us at [www.hayward.com](http://www.hayward.com).

Hayward shall not be responsible for cartage, removal, repair or installation labor or any other such costs incurred in obtaining warranty replacements or repair.

The Hayward Pool products warranty does not apply to components manufactured by others. For such products, the warranty established by the respective manufacturer will apply.

The express limited warranty above constitutes the entire warranty of Hayward Pool Products with respect to its' pool products and is in lieu of all other warranties expressed or implied, including warranties of merchantability or fitness for a particular purpose. In no event shall Hayward Pool products be responsible for any consequential, special or incidental damages of any nature.

Some states do not allow a limitation on how long an implied warranty lasts, or the exclusion of incidental or consequential damages, so the above limitation may not apply to you. This warranty gives you specific legal rights, and you may also have other rights, which vary from state to state.

Hayward Pool Products  
620 Division Street  
Elizabeth, NJ 07207

\*Supersedes all previous publications.

## CONSUMER INFORMATION AND SAFETY

<p><b>⚠ DANGER</b></p>	<p><b>Risk of electrical shock or electrocution</b> The electrical supply to this product must be installed in accordance with all applicable local codes and ordinances. Improper installation will create an electrical hazard which could result in death or serious injury to pool users or others due to electrical shock, and may also cause damage to property.</p>
<p><b>⚠ WARNING</b></p>	<p>Do not play with cleaner or cable or apply to body. Can trap or tear hair or body parts. Cable can trip or entangle swimmers, which could result in drowning.</p>
<p><b>⚠ CAUTION</b></p>	<p>Before installing the cleaner, understand cleaner coverage. The cleaner was not designed to automatically clean steps or to work under a solar cover. It was also not designed to do initial cleanup for a new pool installation.</p>

## OPERATING THE CLEANER

<p><b>⚠ WARNING</b></p>	<p>A Ground Fault Current Interrupter (GFCI -USA) must be installed to protect your electrical outlet and to prevent any possible electric shock. Failure to do so could create an electrical hazard which could result in death or serious injury to pool users or others due to electrical shock and may also cause damage to property.</p>
<p><b>⚠ CAUTION</b></p>	<p><b>DO NOT</b> switch the pool cleaner to “ON” if it is not immersed in the water. Operating the cleaner out of the water may cause severe damage and will result in loss of warranty. Always remember to turn off the power supply “OFF” and unplug it from the power outlet before removing the cleaner from the pool.</p>
<p><b>⚠ WARNING</b></p>	<p>It is mandatory to allow a safety distance between the power supply and the pool as required by the current installation standard (11.5 feet minimum or 3.5 meters).</p>



**▲ WARNING - READ THESE IMPORTANT OPERATING TIPS BEFORE USING YOUR UNIT!**

Dear Hayward Robotic Cleaner Owner:

Thank you for choosing Hayward. In order to achieve optimal performance, please read and follow these steps:

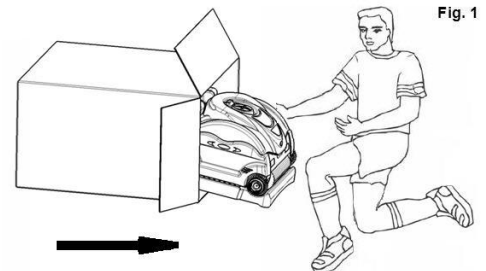
1. Cleaner filter cartridges should be thoroughly cleaned after each use or as often as needed to ensure cleaner's optimal performance. (see the Maintenance section for filter cleaning instructions)
2. Before using your cleaner and especially when opening the pool for the first time remove larger items such as toys, large leaves, or other debris from the pool that may diminish the cleaner's performance. Clean filter frequently when pool is excessively dirty.
3. For the first use, run cleaner for the full cycle (3 hours) to ensure a clean pool and give you a full understanding of the cleaner's capabilities.
4. Cleaner may periodically go to the wall but not necessarily climb to the vertical position. This is a normal part of the programmed cycle.
5. Cleaner may stop in the middle of the pool and reverse during cleaning cycle. This is a normal part of the programmed cycle.
6. **DO NOT** start cleaner out of the water. Power button should only be switched to "ON" position when unit is fully submerged. The unit will automatically shut off, but it is best to put power switch in "OFF" position when unit completes cleaning.
7. Only plug into a GFCI (Ground Fault Circuit Interrupter) protected 110-120 volt AC outlet.
8. Place the cleaner power supply so that it is at a minimum distance of 11.5 feet (3.5 meters) from the pool edge. The length of the standard cleaner cable is 60 feet (18.29 meters).
9. Depending on the size and shape of your pool the entire length of the floating cable may not be necessary. The floating cable should reach from the cleaner power supply to the furthest point in the pool, plus the depth at the deep end of the pool. To reduce cable tangling any excess cable should be coiled and placed next to the power supply.

## GENERAL OPERATING INSTRUCTIONS

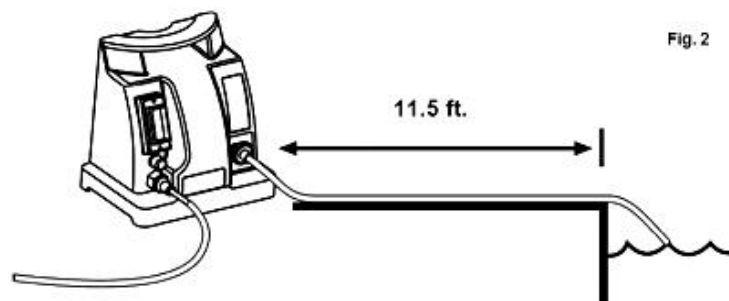
Take a moment to get familiar with the cleaner using the figure 3. Throughout this manual reference to this figure is made when referring to different components of the cleaner.

Remove the cleaner by placing the carton down and removing it from the box as shown. On models which include a caddy cart the cleaner and the Power Supply are pre-mounted to the cart.

See the figure 4 for Caddy Cart.



1. Select the nearest GFCI (Ground Fault Circuit Interrupter) protected 110-120 volt AC outlet.
2. Place the cleaner power supply so that it is at a minimum distance of 11.5 feet (3.5 meters) from the pool edge. The length of the standard cleaner cable is 60 feet (18.29 meters).



3. Stretch out the floating cable along the pool deck to remove any twisting the cord has from storage and measure out the approximate amount of cleaner cord needed for pool coverage.
4. Connect the floating cable to the power supply. Use only the original Power Supply manufactured by Hayward.
4. Place the cleaner in the pool. It will slowly sink to the bottom of the pool as the air inside is released.
5. Connect the power supply to the protected outlet and switch it on. The cleaner will perform a self-diagnostics routine before starting the cleaning cycle for several minutes.

**⚠ Notice:** To reduce risk of injury and prevent damage to the cleaner the start up sequence the cleaner has been equipped with an out of water sensor. Should the cleaner sense that it is not in the water it will power itself down. To reset the cycle switch off the power supply for 10 seconds and restart.

6. The cleaner will automatically shut off after 3 hours for a full cleaning cycle. If your pool is cleaned in less time than 3 hours, you may shut the cleaner off manually by switching the power supply to the off position. Should a second cleaning cycle be required, switch OFF the power supply for 10 seconds and restart.
7. After the pool has been cleaned, switch OFF the power supply before removing the cleaner from the pool.





# HAYWARD®

8. Remove the cleaner from the water at the shallow end of the pool by gently pulling the cable until the cleaner reaches the surface. **Then lift it out of the water using the handle, NOT the cable.**
9. If the supply cord is damaged it must be replaced by the manufacturer, service agent, or similarly qualified persons in order to avoid a hazard.
10. All electrical connections must be done by a qualified electrician according to local electrical standard (see p16).

## Operating the cleaner using an aftermarket timer

If you are using an aftermarket timer to turn your cleaner on please follow these instructions:

1. **Plug the aftermarket timer into** the nearest GFCI (Ground Fault Circuit Interrupter) protected 110-120 volt AC outlet and then plug the power supply into the timer.
2. The cleaner operates on a 3 hour cycle so set the timer duration for 3 hours or more. If you set the timer duration for less than 3 hours the cleaner will only operate for the period of time you set. If you set the timer duration for longer than 3 hours the cleaner will stop automatically at the end of its 3 hour cycle. Should a second cleaning cycle be required, switch OFF the power supply for 10 seconds and restart.

**⚠ CAUTION:** When removing cleaner from the pool do NOT reel it around your arm. The cleaner is heavy and may cause someone to lose their balance and fall into the pool. To avoid falling into the pool, gently reel the cable in hand-over-hand from the shallow end of the pool.

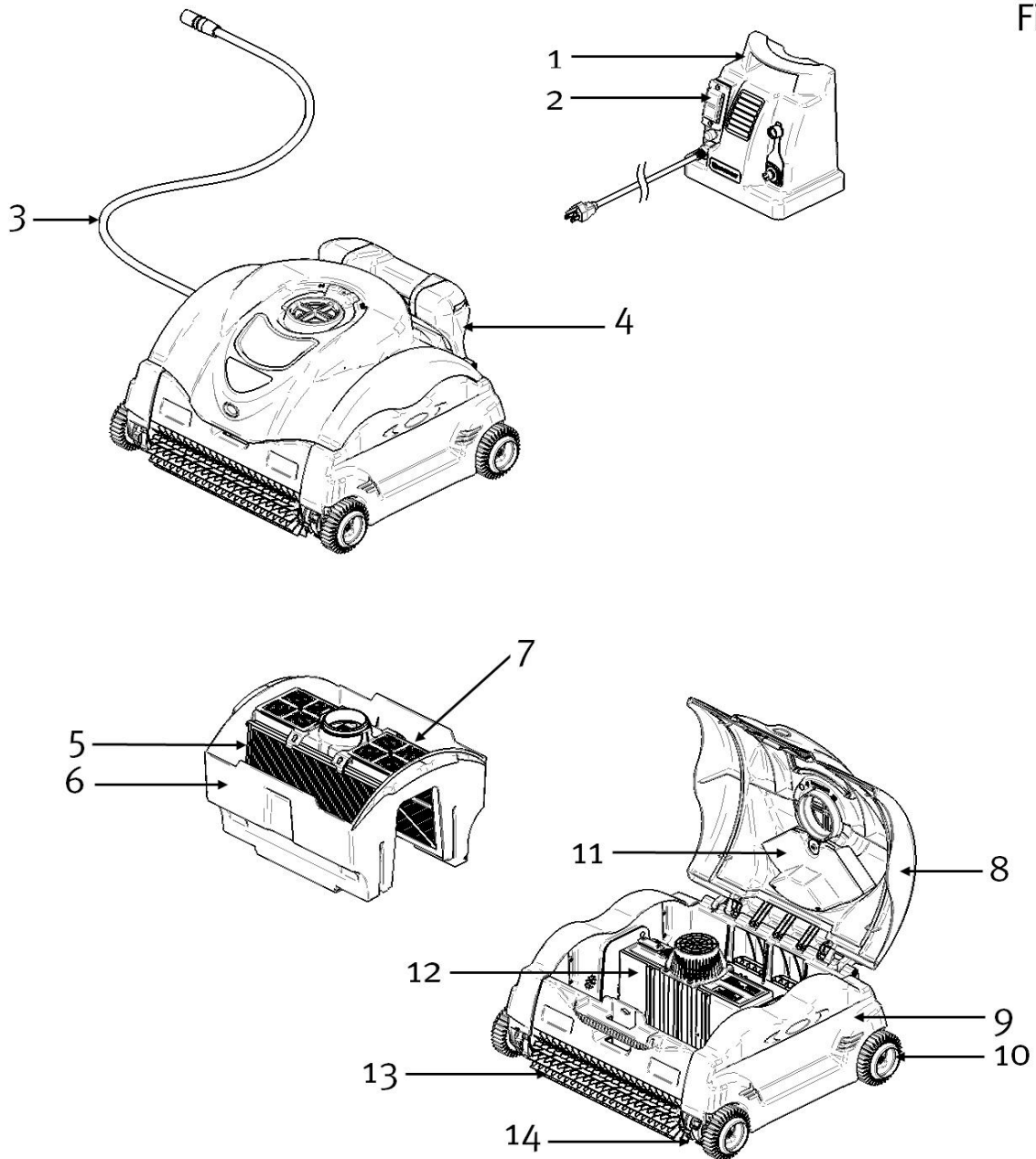
**DO NOT ENTER THE SWIMMING POOL WHEN THE CLEANER IS OPERATING.**

Optimum operating water temperature range for the cleaner is 50°F - 100°F (10°C - 35°C).

Remove the cleaner from the pool, empty the filter bucket and clean filters after each use. Keeping the cleaner permanently in the pool may result in additional service requirements. (see maintenance section for cleaning instructions)

Store the cleaner in a shaded area.



**Fig. 3**


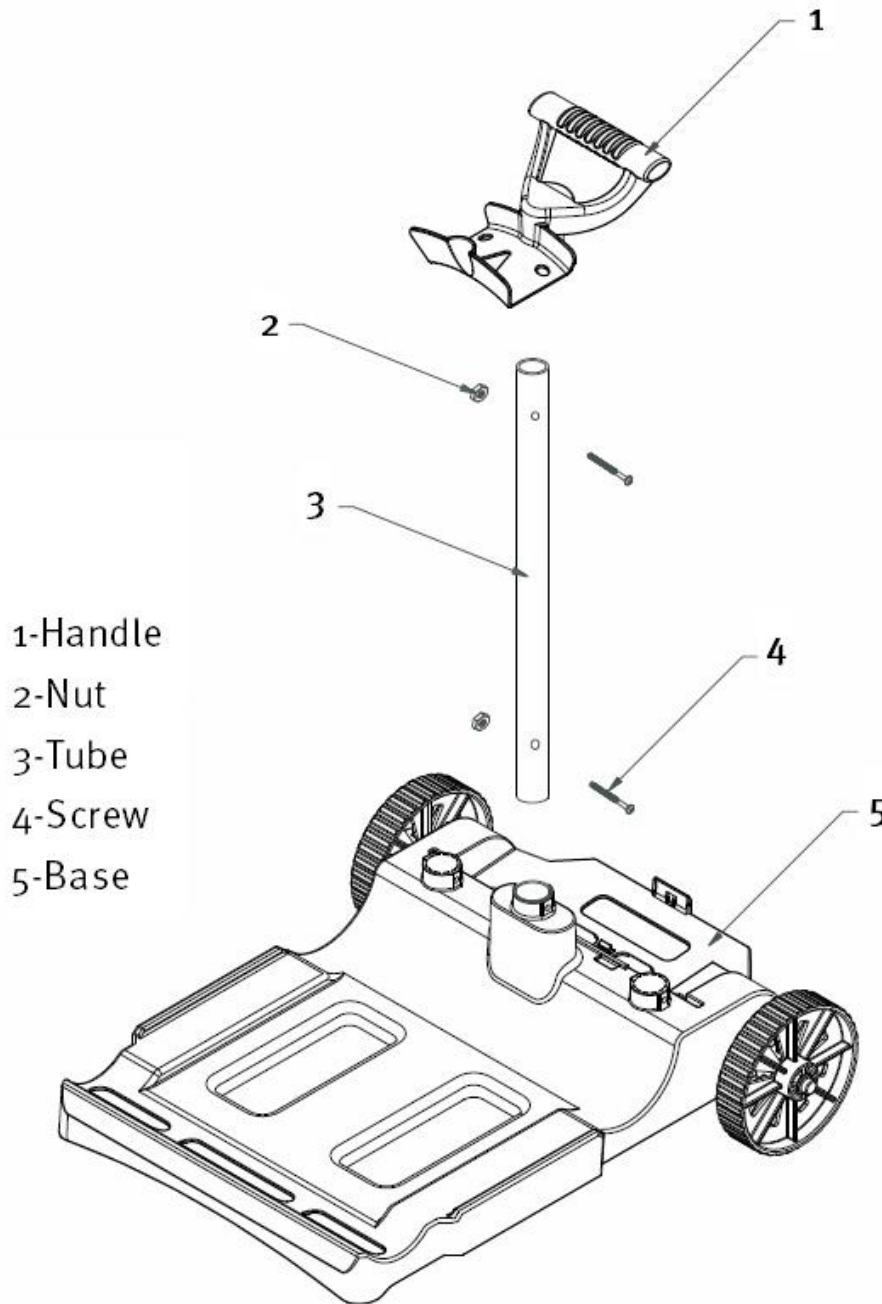
- |                     |                          |
|---------------------|--------------------------|
| 1. Power Supply     | 8. Dome Assembly         |
| 2. On/Off Switch    | 9. Side Panel            |
| 3. Floating Cable   | 10. Wheel                |
| 4. Handle           | 11. Float Assembly       |
| 5. Filter Cartridge | 12. Sealed Motor Unit    |
| 6. Filter Bucket    | 13. Wheel Brush and Tube |
| 7. Filter Door      | 14. Drive Track          |

**USE ONLY HAYWARD GENUINE REPLACEMENT PARTS**

## CADDY CART INSTRUCTIONS - SEE DIAGRAM

- Caddy Cart will come partially assembled in the carton less the handle & tube. (1 & 3)
- Insert the tube into base (5) & insert the screw (4) securing it with the nut (2)
- Insert the handle into the top of the tube & insert the screw (4) securing it with the nut (2)

Fig. 4



## MAINTENANCE

Clean the filter cartridge after each use:

1. Open the cleaner by pressing the lid button and lifting up the dome cover.

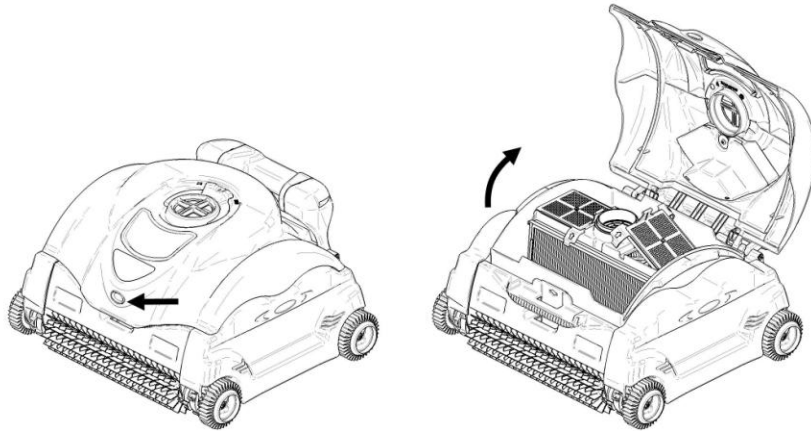


Fig. 5

2. Remove the easy access filter bucket assembly by lifting it up out of the cleaner with both hands from each side.
3. Flip the bucket assembly over to remove the debris and then rinse with a garden hose to remove small particles.
4. Filter cartridges do not need to be removed to clean.

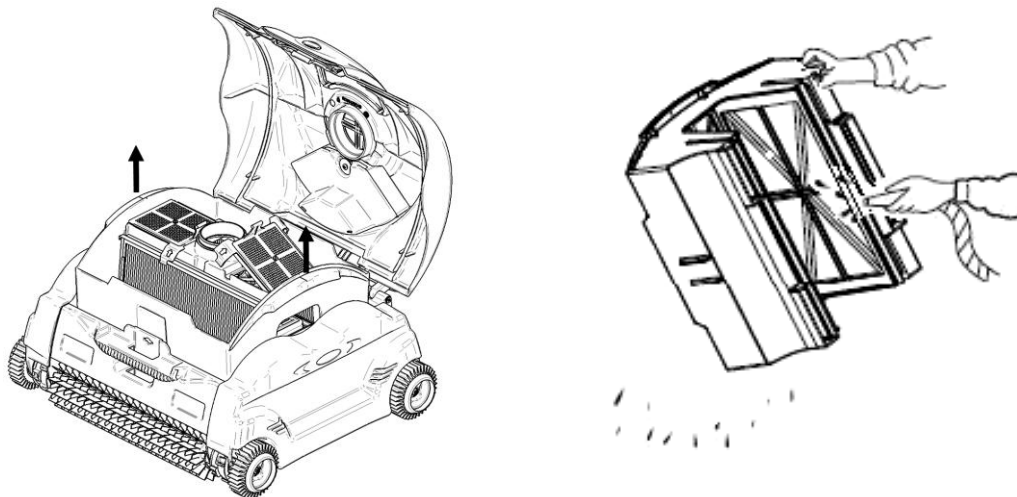


Fig. 6

5. Remove the filter cartridges:

- a. Unsnap and lift up both filter door latches.
- b. Pull out the filter cartridges. Using a garden hose with a spray nozzle, wash the filter elements to remove debris. Hold the filter elements as shown to allow the debris to fall out. Filter cleaning solution can be used to remove excessive dirt and/or sand. The cleaner your filter is the more effective the cleaning will be.

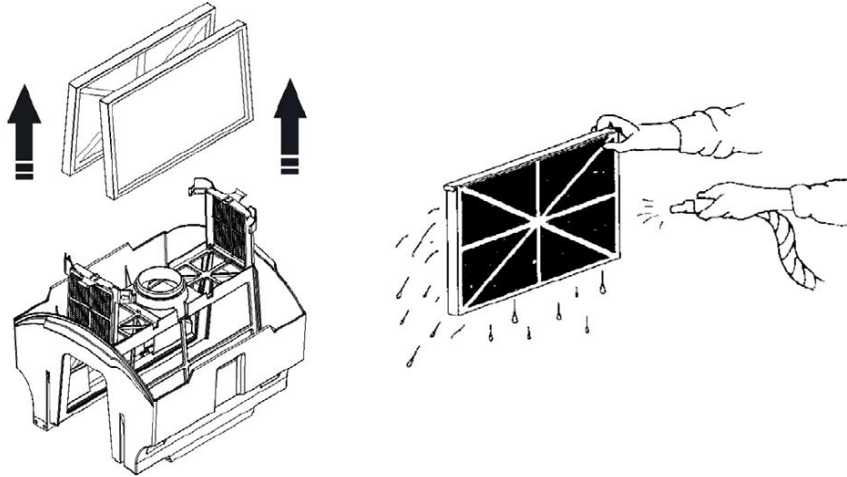


Fig. 7

- c. Wash the entire filter bucket assembly. (Previously shown).
- d. Place the filter cartridges back into the filter bucket assembly with the center frame reinforcements facing inward.

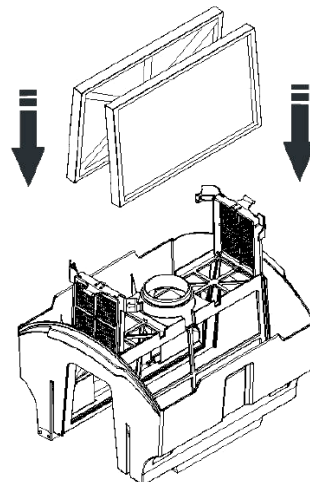


Fig. 8

- e. Snap the filter door latches into place.

6. Return the filter bucket assembly into the cleaner using the diagram shown to determine the front and back.
7. Close the dome and press the lid button to snap dome into place.

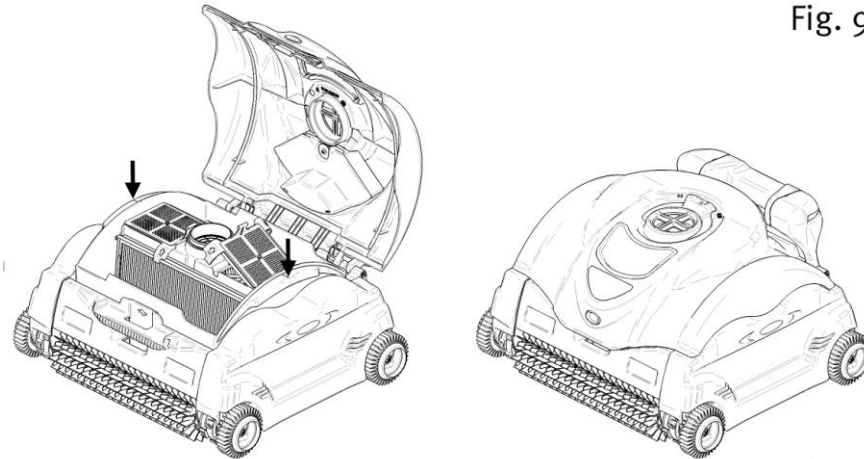


Fig. 9

## Periodic Cleaning of Moving Parts

**⚠ WARNING:** Disconnect the power supply from electrical outlet before cleaning moving parts.

- Inspect the venturi to ensure that no debris or hair has clogged the impeller.
- The impeller can be cleaned by spraying it with a garden hose.
- Spray water using a garden hose around the float box assembly to remove any sand or debris to ensure free movement when changing float position.
- Remove any debris that has accumulated between the tracks and wheels.

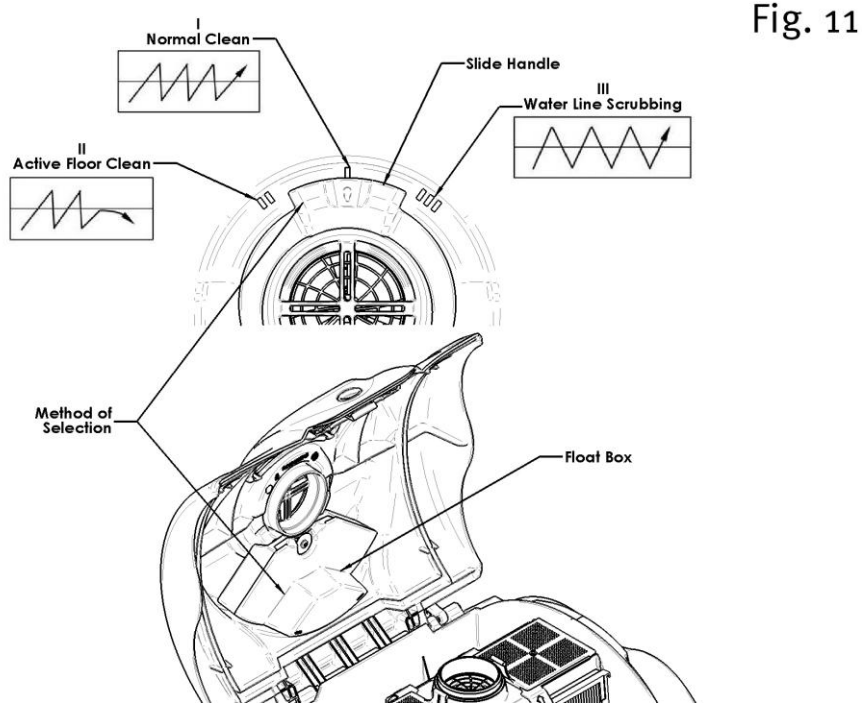
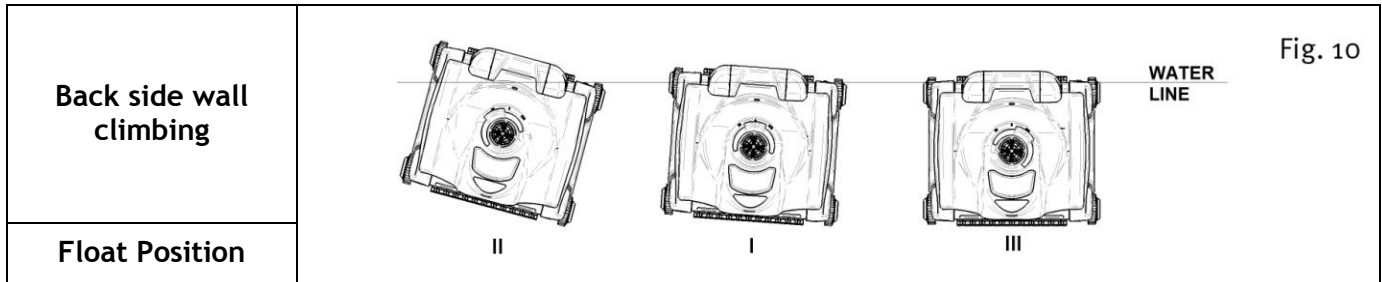
## Storage

When unit is out of the water, store the cleaner in a dry, shady location at temperatures between 40F - 115F (4°C-46°C).

## Cable Care

With continued use, the cable may become coiled (like a telephone cord). To correct this, stretching the cord out in the sun should remove any cord twists.

**IMPORTANT:** The cable should be checked periodically for any external damage.



## WALL CLIMBING FEATURE

- SharkVac-XL is equipped with patent pending “movable flotation technology”. Each float position (I, II, and III) will provide different wall climbing action.
- Float position “I” is the default position locating the float in the middle of the cleaner and will provide the best cleaning behavior for most swimming pools.
- Float position “II” will provide an additional angle in the movement where the cleaner will travel along the water line or pool wall faster and benefit cleaning coverage.
- Float position “III” will provides a reduced angle in the movement where the cleaner will spend more time scrubbing the pool wall along the water line. This float position will aid the wall climbing feature in pools with slick surfaces such as **tile and fiberglass**.
- Method of selection: Position may be set while the cover is closed using the slide handle, or while the cover is opened by moving the float box to the preferred location.



## OUT OF WATER SENSOR

To better protect the cleaner from damage, it will sense when being asked to turn on when not safely in water, or leaves the water during operation.

### Out of water at start up

Out of water at start up means that the cleaner has been powered on, either by the user connecting the power supply to the protected outlet and switching it on or by being connected to a timer that switches on the power supply, before the cleaner has been placed in the water. If the cleaner senses that it is not in the water the unit will power itself down. To reset the cycle, switch off the power supply for 10 seconds and restart.

### Out of water during operation

Out of water during operation refers to the cleaner leaving or being removed from the water while in normal operation cycle. If the cleaner senses that it is no longer in the water, the unit will attempt to re-enter the water by reversing its current direction. If the cleaner is not submerged within ninety (90) seconds of leaving the water the unit will power itself down. To reset the cycle, switch off the power supply for 10 seconds and restart.



## IMPORTANT TIPS

- Do not drop or throw the cleaner into pool. Place cleaner away from the pool wall but do not throw the cleaner in the pool.
- Cleaning the filter cartridges after every use maximizes the unit's performance.
- Replace worn brushes and foam rollers.
- To avoid clogging the cleaner's filter elements, be sure all chemical powders are fully dissolved before operating the cleaner.
- In a pool with high calcium content, more frequent cleaning of the filter cartridges is recommended.
- Save the original carton for extended storage or shipping requirements should your cleaner require dealer service.
- The sealed Motor Unit and the Power Supply contain no user-serviceable parts. Opening them will automatically VOID your warranty.
- Remove items such as thermometer, toys and the like from the pool before operating the unit. Such items can jam the cleaner and cause damage to the unit and/or your pool.
- The filter bucket is designed to be cleaned with the filters installed for normal clean up. For deep cleaning, the user can remove each filter cartridge and clean separately.
- During the normal operating cycle of the cleaner, the handle side of the unit will rise from the pool bottom to allow the unit to clear obstacles, such as elevated main drains and stair steps.
- For cleaners used in areas that have a lot of sand the cleaner may need to be rinsed with water at all flapper (filter bucket's flapper is at intake port) areas, and may need rinsing at the dome push button to allow free operation.

## TROUBLESHOOTING

- If the cleaner fails to pick up fine or heavy debris:
  - It may be clogged. Clean the filter. A filter cleaning solution can be used to remove excessive dirt and/or sand.
- If the cleaner starts working momentarily but then stops working:
  - Impeller may be clogged or jammed with debris, check and clean if necessary following the instructions in the maintenance section.
  - Brush roller or drive tracks may be stuck, check for debris and clean if necessary.
  - Cleaner performs by both timing and a pool wall detection sensor, whichever comes first.
- There are 3 intake ports located at bottom of filter bucket and near the brush roller, check for debris and clean if necessary.
- Cleaner may get stuck if a high main drain is installed in the pool. Cleaner may remain lodged on the drain for a short period of time, but will eventually free it's self by virtue of the cleaner's embedded program.
- Cleaner performance: Confusion may exist over the perception of how the cleaner operates at different times during each cycle. It is important to judge the performance of the cleaner by observing improved pool cleanliness after the cleaner has run a complete cleaning cycle.
- If a cleaner has poor coverage of the pool in one cycle or only covers a small area, check the filter and clean if necessary and make sure the unit is not getting caught on drains, in-floor cleaning heads or toys. The user may try starting the cleaner in different locations to find the optimum cleaning location.
- If debris falls from cleaner while removing from pool, it may be caused by filter overload, increase frequency of filter cleaning. Assure that there is no large debris blocking any of the three intakes. Large debris must be removed from the pool before using machine. If drain flaps are out of place or stuck by sand or leaves in the open position, the flaps can be snapped back into place, after cleaning the area.
- If the flotation cord gets twisted which can be caused by the cleaner getting stuck on large objects such as rocks, toys or main drains, it can be straightened by laying the flotation cord at full length (if possible) in the sun; heat from the sun will help reduce the twisting.
- If a high level of debris is visible through the dome windows, remove cleaner quickly from the water to reduce the chance of the debris escaping the filter bucket and reentering the pool.
- If you observe the cleaner spending more than the preferred amount of time on the walls/tile line, return the float position to position I (center/default position).

Weight (w/o cable)	23 lb (10.45 Kg)		
Cable Length, Type	60 ft (18.29 m)		
Materials	High Impact ABS - Metal Parts of Non-Ferrous Stainless Steel		
Motor Unit	Pump	Drive	PCB
Speed (rpm)	2700	55	-
Voltage	24 VDC	22 VDC	5 VDC
Current (amp)	2.62 A	0.63 A	-
Waterproof Sealing	Triple Redundant Radial Shaft Seals & O-ring		
Motor Housing	Sealed, Watertight, High Impact Polypropylene		
Overload Protection	Electronic Overload Monitoring with auto-shutoff		
Filter			
Type	Removable, Re-Usable, Pleated Element Cartridge		
Media	Pleated Cellulose/Polyester Blend		
Cleaning Routine Control			
Type	Adaptive Seek Control Logic (ASCL®) Microprocessor		
Cleaning Cycle	Full Cycle		
	3 hours		
Drive System	Direct Drive w/Polyurethane Drive Track & Acetal/Stainless Steel Bearing System		
Power Supply			
Input Primary Voltage	110-120 VAC		
Output Secondary Voltage	24 VDC		
Rated Output Current	4 A		
Weight	8.3 lbs (3.8 Kg)		
Shipping			
Carton Dimensions (mm)	Length	Width	Height
	24 in (620 mm)	17 in (440 mm)	30 in (752 mm)
Shipping Weight with Caddy	49 lb (22.3 Kg)		
without Caddy	43 lb (19.5 Kg)		

## IMPORTANT SAFETY INSTRUCTIONS

This robotic swimming pool cleaner has been manufactured with the highest degree of care and concern for safety. We suggest the following safety precautions become part of your pool safety regulations:

### SAVE THESE INSTRUCTIONS

1. ALWAYS PUT THE MACHINE INTO THE WATER BEFORE connecting it to the GFCI protected electrical outlet.
2. IT IS IMPORTANT FOR SWIMMERS' SAFETY TO REMOVE THE UNIT IMMEDIATELY FOLLOWING USE. THIS CAN ALSO IMPROVE THE OPERATING LIFE OF YOUR CLEANER.
3. BE CERTAIN THE machine IS ONLY PLUGGED into a grounded electrical outlet equipped with an approved and properly operating ground fault circuit interrupter (GFCI).
4. DO NOT HANDLE MACHINE WHILE IT IS PLUGGED INTO THE ELECTRICAL OUTLET.
5. DO NOT USE AN EXTENSION CORD. THIS COULD CREATE A SAFETY HAZARD AND/OR DAMAGE YOUR CLEANER.
6. ALWAYS STAY OUT OF THE POOL WHILE CLEANER IS IN OPERATION.
7. NEVER ALLOW PLUG TO ENTER THE POOL.
8. DO NOT OPERATE THE MACHINE OUT OF WATER. THIS WILL DAMAGE THE MOTOR SEAL AND VOID THE WARRANTY.
9. DO NOT DRAG THE MACHINE OUT OF THE POOL AGAINST THE SIDE WALL. THIS COULD DAMAGE UNIT AND/OR YOUR POOL WALL.
10. DO NOT BURY CORD. DO NOT OPERATE CLEANER WITH DAMAGED CORD. REPLACE DAMAGED CORDS IMMEDIATELY.

**⚠ WARNING - TO REDUCE THE RISK OF INJURY; DO NOT PERMIT CHILDREN TO USE THIS PRODUCT UNLESS THEY ARE CLOSELY SUPERVISED AT ALL TIMES.**

11. If the supply cord is damaged it must be replaced by the manufacturer, service agent, or similarly qualified persons in order to avoid a hazard.

While the cleaner has been made to operate as safely as possible, we suggest you exercise reasonable care in the handling of the vacuum and inspect the electrical cord frequently for damage or wear, as with any other electrical appliance. After use, remove the unit and rinse with fresh water and remove any twists that may be present in the cord.

## HAYWARD® LIMITED WARRANTY

All HAYWARD products are covered for manufacturing defects or material defects for a warranty period of 2 years as of date of purchases. Any warranty claim should be accompanied by evidence of purchase, indicating date of purchase. We would therefore advise you to keep your invoice.

The HAYWARD warranty is limited to repair or replacement, as chosen by HAYWARD, of the faulty products, provided that they have been subjected to normal use, in compliance with the guidelines given in their user guides, provided that the products have not been altered in any way, and provided that they have been used exclusively with HAYWARD parts and components. The warranty does not cover damage due to frost and to chemicals. Any other costs (transport, labor, etc.) are excluded from the warranty.

HAYWARD may not be held liable for any direct or indirect damage resulting from incorrect installation, incorrect connection, or incorrect operation of a product.

In order to claim on a warranty and in order to request repair or replacement of an article, please ask your dealer.

No equipment returned to our factory will be accepted without our prior written approval.

**Wearing parts are not covered by the warranty.**

## EXCEPTIONS AND EXCLUSIONS FROM WARRANTY

The cleaner must be used with electrical requirements as indicated on the Power Supply. Otherwise damage, defects, malfunctions or other failures of the cleaner arising from use on electrical supply not as indicated are excepted and excluded from this warranty.

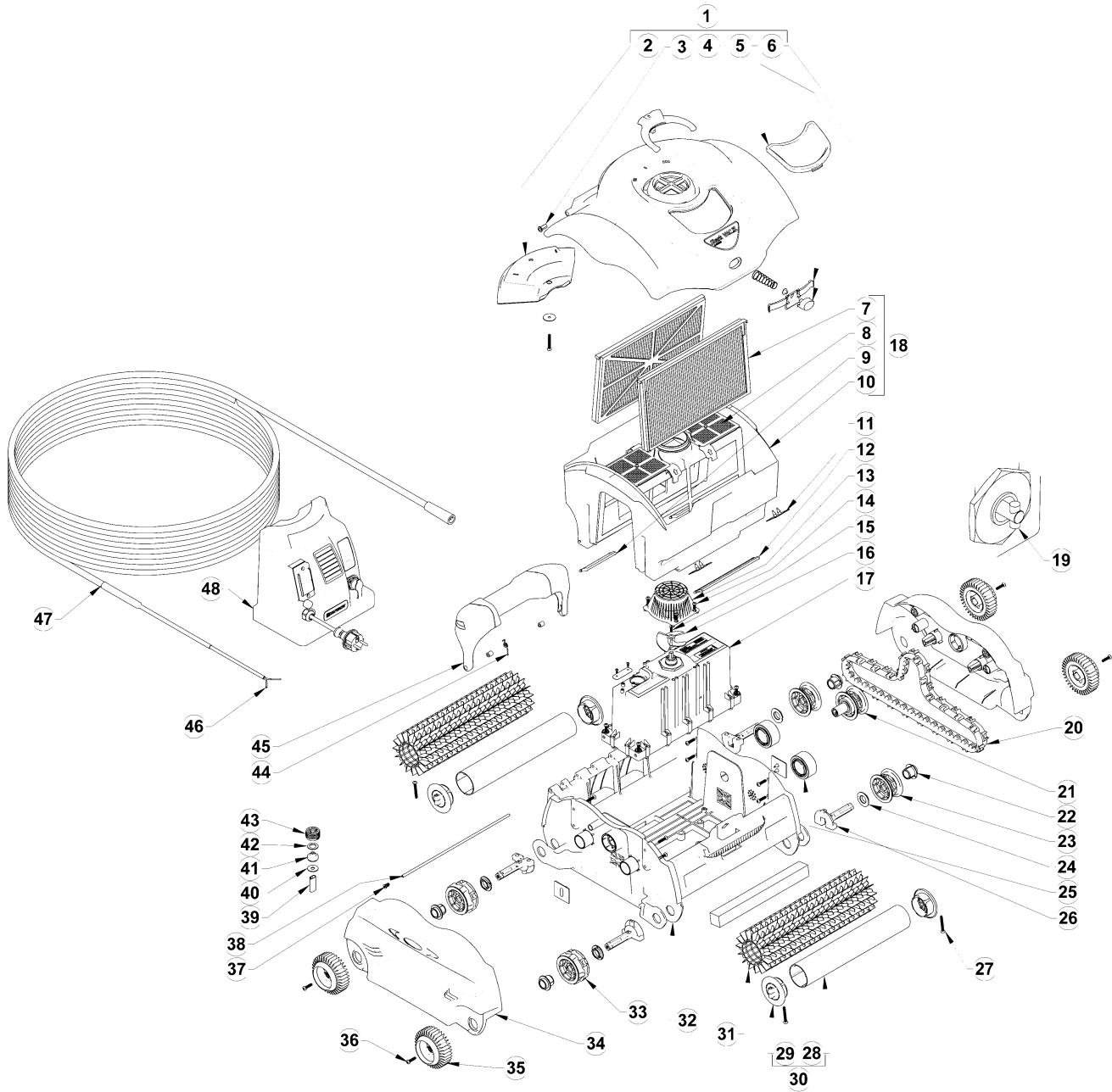
Defects, malfunctions, failure or damage of the cleaner caused by improper, unreasonable, or negligent use or abuse by the consumer, are excluded from this warranty.

If any repair is made on your cleaner by anyone other than authorized personnel (designated to perform such work) without first having obtained factory instructions, HAYWARD, at its sole option, may determine that this warranty will not apply and that reimbursement for such repair will not be made because of failure to comply with such factory specified instructions.

Filter cartridges are not covered by this warranty and will be replaced only with your prior approval of the charges.

## ELECTRIC STANDARD/COUNTRY

F	NF EN C 15-100	GB	BS7671:1992
D	DIN VDE 0100-702	EW	EVHS-HD 384-7-702
A	ÖVE 8001-4-702	H	MSZ 2364-702:1994 / MSZ 10-533 1/1990
E	UNE 20460-7-702 1993, REBT ITC-BT-31 2002	M	MSA HD 384-7-702.S2
IRL	Wiring Rules + IS HD 384-7-702	PL	PN-IEC 60364-7-702:1999
I	CEI 64-8/7	CZ	CSN 33 2000 7-702
LUX	384-7.702 S2	SK	STN 33 2000-7-702
NL	NEN 1010-7-702	SLO	SIST HD 384-7-702.S2
P	RSIUEE	TR	TS IEC 60364-7-702



1	RCX97471SB	10	RCX97415	20	RCX97501GR	30	RCX97410	39	RCX59002
	RCX97471CY	11	RCX97445	21	RCX97502GR		RCX97410BK	40	RCX12301
2	RCX97477	12	RCX97407	22	RCX97506	31	RCX26008	41	RCX59003
3	RCX97423	13	RCX97455	23	RCX97505GR	32	RCX97401	42	RCX12302
4	RCX97472	14	RCX12010	24	RCX97435	33	RCX97509GR	43	RCX59004
5	RCX97431	15	RCX12002	25	RCX26000	34	RCX97403	44	RCX97427
6	RCX97433	16	RCX11000	26	RCX97507GR	35	RCX97508GR	45	RCX97480RB
7	RCX70101	17	RCX97490	27	RCX97461	36	RCX12011	46	RCX59006
8	RCX97417	18	RCX97414	28	RCX97409	37	RCX97459	47	RCX50061
9	RCX97405	19	RCX40117	29	RCX97511GR	38	RCX97429	48	RCX97453



# PRODUCT REGISTRATION

(Retain For Your Records)

DATE OF INSTALLATION _____
----------------------------

▲ Retain this Warranty Certificate (upper portion) in a safe and convenient location for your records.



DETACH HERE: Fill out bottom portion completely and mail within 10 days of purchase/installation or register online.

## AUTOMATIC SURFACE SKIMMER

## Warranty Card Registration

Register online at [www.hayward.com](http://www.hayward.com)

Please Print Clearly:

First Name \_\_\_\_\_ Last Name \_\_\_\_\_

Street Address \_\_\_\_\_

City \_\_\_\_\_ State \_\_\_\_\_ Zip \_\_\_\_\_

Phone Number \_\_\_\_\_ Purchase Date \_\_\_\_\_

E-Mail Address \_\_\_\_\_

Serial Number

--	--	--	--	--	--	--	--	--	--	--	--	--	--	--	--	--	--	--	--	--

Model Number \_\_\_\_\_

Pool Capacity \_\_\_\_\_ (U.S. Gallons)

Please include me on all e-mail communications regarding Hayward® Equipment or promotions.

Mail to: Hayward Pool Products, 620 Division Street, Elizabeth, NJ 07207

Attn: Warranty Dept

Or REGISTER YOUR WARRANTY ON-LINE AT [WWW.HAYWARD.COM](http://WWW.HAYWARD.COM)

Years Pool has been in service <input type="checkbox"/> < 1 year <input type="checkbox"/> 1-3 <input type="checkbox"/> 4-5 <input type="checkbox"/> 6-10 <input type="checkbox"/> 11-15 <input type="checkbox"/> >15 Purchased from _____ <input type="checkbox"/> Builder <input type="checkbox"/> Retailer <input type="checkbox"/> Pool Service <input type="checkbox"/> Internet/Catalog Company Name _____ Address _____ City _____ State _____ Zip _____ Phone _____
Type of Pool: <input type="checkbox"/> Concrete/Gunite <input type="checkbox"/> Vinyl <input type="checkbox"/> Fiberglass <input type="checkbox"/> Other _____
<input type="checkbox"/> New Installation <input type="checkbox"/> Replacement
Installation for: <input type="checkbox"/> In Ground <input type="checkbox"/> Above Ground <input type="checkbox"/> Spa



Hayward is a registered trademark of Hayward Industries, Inc.  
© 2011 Hayward Industries, Inc.



# SharkVAC XL™ / e.VAC PRO™

par **HAYWARD®**

## Manuel du propriétaire



### Table des matières

Avertissements .....	24
Renseignements .....	26
Directives d'utilisation .....	28
Entretien.....	32
Dépannage.....	38
Enregistrement de la garantie .....	43

## CONSIGNES DE SÉCURITÉ IMPORTANTES

Toujours suivre les précautions de sécurité, dont celle-ci: Tout manquement à ces instructions peut entraîner des blessures graves, voire mortelles.


**⚠** Ceci est le symbole d'alerte de sécurité. Lorsque ce symbole apparaît sur votre appareil ou dans ce manuel, rechercher l'un des mots d'avertissement ci-dessous et prendre garde aux risques potentiels de blessure.

**⚠** **AVERTISSEMENT** vous avertit de la présence de risques qui **pourraient** entraîner de graves blessures, la mort ou d'importants dommages à la propriété et qui, s'ils sont ignorés, présentent un danger potentiel.

**⚠** **ATTENTION** vous avertit de la présence de risques **entraînant** ou **pouvant entraîner** des blessures mineures à modérées et/ou des dommages à la propriété et qui, s'ils sont ignorés, présentent un danger potentiel. Il peut également servir à avertir le consommateur d'actions aux effets imprévisibles et peu sécuritaires.


L'étiquette **AVIS** indique des instructions spéciales qui sont importantes mais non liées à des risques.

Hayward Pool Products  
620 Division Street, Elizabeth, NJ 07207  
Téléphone: (908) 351-5400  
[www.hayward.com](http://www.hayward.com)




**⚠ AVERTISSEMENT** - Lire et suivre toutes les instructions de ce manuel et celles figurant sur l'appareil. Tout manquement à ces instructions peut entraîner de graves blessures ou la mort.


**⚠ AVERTISSEMENT** - Risque de piégeage par succion.



L'effet de succion produit aux orifices et/ou aux couvercles de succion endommagés, cassés, fendus, manquants ou mal fixés peut entraîner de graves blessures ou la mort par les risques de piégeage suivants:




**Piégeage des cheveux** - Des cheveux peuvent s'emmêler dans le couvercle de l'orifice de succion.



**Piégeage d'un membre** - Un membre inséré dans un orifice ou un couvercle de succion endommagé, cassé, fendu, manquant ou mal fixé peut se trouver mécaniquement coincé ou tuméfié.



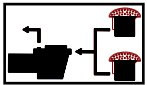
**Piégeage du corps** - Une pression négative appliquée sur une grande partie du corps ou d'un membre peut entraîner un piégeage.



**Éviscération/Éventration** - Une pression négative appliquée directement sur les intestins par un orifice de succion non protégé ou un couvercle de succion endommagé, cassé, fendu, manquant ou mal fixé peut entraîner une éviscération ou une éventration.

**Piégeage mécanique** - Un bijou, maillot de bain, décoration pour cheveux, doigt, orteil ou articulation peut se coincer dans l'orifice d'un couvercle de succion, entraînant un piégeage mécanique.

**⚠ AVERTISSEMENT** - Pour réduire les risques de piégeage:



- Lorsque les ouvertures sont assez petites pour être bloquées par une personne, un minimum de deux orifices de succion fonctionnels par pompe doivent être installés. Les orifices de succion situés dans un même plan (plancher ou mur), doivent être installés à un minimum de 1 mètre (3 pi) de distance, mesuré entre deux points rapprochés.
- Les raccords de succion doubles doivent être placés et espacés de sorte à empêcher que les deux ouvertures soient bloquées par un utilisateur.
- Ces raccords ne doivent pas être placés à proximité des places assises ou de leur dossier.
- Le débit maximum du système ne doit pas dépasser celui indiqué au Tableau 1.
- Ne jamais utiliser une piscine ou un spa si une pièce d'un orifice de succion est endommagée, cassée, fendue, manquante ou mal fixée.
- Remplacer aussitôt toute pièce d'un orifice de succion endommagée, cassée, fendue, manquante ou mal fixée.
- Lors de l'ajout de deux orifices de succion ou plus par pompe installés conformément aux normes les plus récentes de l'ASME, l'APSP et les directives de la CPSC, suivre les codes nationaux, provinciaux et municipaux en vigueur.
- Il est recommandé d'installer une soupape ou un système d'évent anti-succion qui relâche la succion en cas de piégeage.

**⚠ AVERTISSEMENT** - Négliger d'enlever les bouchons d'essai de pression et/ou les bouchons d'hivernisation pour les orifices de succion des piscines ou spas peut entraîner un risque accru de piégeage par succion, tel qu'indiqué ci-dessus.

**⚠ AVERTISSEMENT** - Négliger de maintenir les orifices de succion libres de débris comme des feuilles, saletés, cheveux, papiers et autres objets peut entraîner un risque accru de piégeage par succion, tel qu'indiqué ci-dessus.

**⚠ AVERTISSEMENT** - Les pièces des orifices de succion ont une durée de vie limitée; inspecter fréquemment le couvercle ou la grille et les remplacer au moins tous les dix ans ou s'ils s'avèrent endommagés, cassés, fendus, manquants ou mal fixés.

**⚠ ATTENTION** - Les composants tels que le système de filtration, les pompes et les chauffe-eau doivent être disposés de manière à empêcher que de jeunes enfants puissent s'en servir comme d'un moyen d'accès à la piscine.

**⚠ AVERTISSEMENT** - Ne jamais utiliser ni tester le système de circulation à plus de 50 PSI.

**⚠ AVERTISSEMENT** - Ne jamais changer la position de la vanne de contrôle du filtre pendant le fonctionnement de la pompe.

**⚠ AVERTISSEMENT** - Pour réduire le risque de blessure, ne pas permettre à des enfants d'utiliser ce produit ou de grimper dessus. Surveiller étroitement les enfants en tout temps. Les composants tels que le système de filtration, les pompes et les chauffe-eau doivent être disposés de manière à empêcher que de jeunes enfants puissent s'en servir comme d'un moyen d'accès à la piscine.



**⚠ AVERTISSEMENT - Pression dangereuse.** Les systèmes de circulation d'eau des piscines et des spas fonctionnent sous une pression dangereuse lors du démarrage, de l'utilisation normale et après l'arrêt de la pompe. S'éloigner de l'équipement du système de circulation lors du démarrage de la pompe. Toute négligence à l'égard de ces consignes de sécurité et d'utilisation peut conduire à une séparation brutale du boîtier et du couvercle de la pompe et/ou du boîtier et de l'attache du filtre, en raison de la pression du système, et entraîner des dommages matériels, ou des blessures graves ou mortelles. Avant l'entretien du circuit d'eau d'une piscine ou d'un spa, toutes les commandes du système et de la pompe doivent être à l'arrêt et la purge d'air manuelle ouverte. Avant le démarrage de la pompe, toutes les vannes du circuit doivent être placées de manière à permettre le retour de l'eau dans la piscine. Ne pas changer la position de la vanne de contrôle du filtre pendant le fonctionnement de la pompe. Avant de mettre la pompe en marche, ouvrir complètement la purge d'air manuelle. Ne pas la fermer avant que l'eau s'en écoule en débit constant (et non un mélange d'air et d'eau).



**⚠ AVERTISSEMENT - Risque de séparation.** Toute négligence à l'égard des consignes de sécurité et du mode d'utilisation peut conduire à une séparation violente des composantes de la pompe ou du filtre. Le couvercle du filtre doit être correctement fixé au boîtier de la pompe avec son anneau de blocage. Avant l'entretien du circuit d'eau d'une piscine ou d'un spa, la purge d'air manuelle du filtre doit être ouverte. Ne pas faire fonctionner le système de circulation d'une piscine ou d'un spa si une de ses composantes n'est pas correctement assemblée ou est endommagée ou manquante. Ne pas faire fonctionner le circuit de circulation d'une piscine ou d'un spa tant que la vanne de purge d'air du filtre n'est pas verrouillée en place dans le corps supérieur du filtre.



**⚠ AVERTISSEMENT - Risque de choc électrique.** Tout le câblage électrique DOIT être conforme avec les codes et règlements municipaux et le Code national de l'électricité (NEC). Une tension dangereuse peut provoquer un choc, une brûlure ou la mort ou causer de graves dommages matériels. Pour réduire les risques de choc électrique, NE PAS utiliser une rallonge pour connecter l'appareil à l'alimentation électrique. Veiller à ce qu'une prise de courant soit correctement située. Avant de travailler sur tout appareil électrique, couper son alimentation.

**⚠ AVERTISSEMENT -** Pour réduire les risques de choc électrique, remplacer immédiatement tout fil endommagé. Disposer les conduites de manière à éviter tout dommage venant d'une tondeuse à gazon, d'un taille-bordure et d'autres appareils.

**⚠ AVERTISSEMENT -** Assurer la mise à la terre de l'équipement avant de le raccorder à l'alimentation électrique. Négliger la mise à la terre de l'équipement risque d'entraîner un choc électrique grave ou mortel.

**⚠ AVERTISSEMENT -** NE PAS effectuer la mise à la terre sur une conduite de gaz.

**⚠ AVERTISSEMENT -** Pour éviter un choc électrique dangereux ou mortel, couper l'alimentation de l'équipement avant de travailler sur les connexions.

**⚠ AVERTISSEMENT -** Négliger de rattacher tout l'équipement électrique à la structure de la piscine accroît le risque d'électrocution et peut entraîner des blessures ou la mort. Pour réduire les risques de choc électrique, se reporter aux directives d'installation et consulter un électricien professionnel sur la façon de raccorder l'équipement électrique. Contacter également un électricien agréé pour de plus amples informations sur les codes municipaux de l'électricité quant aux exigences relatives à ce raccordement.

**Remarques pour l'électricien:** Utiliser un conducteur en cuivre massif de calibre 8 ou un fil plus gros. Acheminer un fil continu entre le tenon de raccordement externe et la tige ou la grille de renfort. Connecter un fil n° 8 AWG (8,4 mm<sup>2</sup>) [n° 6 AWG (13,3 mm<sup>2</sup>) au Canada] en cuivre massif sur le connecteur à compression fourni sur l'équipement électrique et sur toutes les parties métalliques de la piscine, du spa ou de la cuve thermique, ainsi que la tuyauterie en métal (sauf les conduites de gaz) situés à moins de 1,5 m (5 pi) de la paroi intérieure de la piscine, du spa ou de la cuve thermique.

**IMPORTANT -** Se reporter au Code national de l'électricité pour connaître les normes de câblage, notamment pour la mise à la terre, le raccordement et d'autres procédures générales de câblage.

**⚠ AVERTISSEMENT -** Risque de choc électrique. Ne connecter qu'à un circuit protégé par un disjoncteur de fuite à la terre (GFCI). Contacter un électricien compétent s'il n'est pas possible de vérifier si le circuit est protégé par un tel disjoncteur.

**⚠ AVERTISSEMENT -** Risque de choc électrique. L'équipement électrique ne doit être connecté qu'à un circuit d'alimentation protégé par un disjoncteur de fuite à la terre (GFCI). Ce disjoncteur doit être fourni par l'installateur et testé régulièrement. Pour tester le disjoncteur GFCI, appuyer sur le bouton de test. Le disjoncteur devrait interrompre le courant. Appuyer sur le bouton de réamorçage. Le courant devrait être rétabli. Si le disjoncteur GFCI ne fonctionne pas ainsi, c'est qu'il est défectueux. Si le disjoncteur coupe le courant de l'équipement électrique sans que le bouton de test ait été pressé, le courant électrique fuit à la terre, ce qui indique la possibilité d'un choc électrique. Ne pas utiliser cet équipement. Débrancher l'équipement et faire corriger le problème par un réparateur agréé avant de l'utiliser.

**⚠ ATTENTION -** Cette pompe est conçue pour les piscines installées en permanence et peut être utilisée avec les cuves thermales et les spas portant une mention à cet effet. Ne pas utiliser avec une piscine temporaire à ranger. Une piscine permanente est construite dans le sol, hors du sol ou dans un édifice et n'est pas prête à être démontée pour le rangement. Une piscine à ranger est conçue pour être démontée pour le rangement puis réassemblée intégralement.

## CONSERVER CES INSTRUCTIONS

### GARANTIE LIMITÉE Hayward® Pool Products

Hayward Pool Products, Inc. garantit aux acheteurs d'origine que ses nettoyeurs sont exemptes de tout vice de matériau ou fabrication pour une période de DEUX (2) ans à compter de la date d'achat lorsqu'elles sont utilisées dans des applications résidentielles unifamiliales.

Cette garantie limitée exclut les dommages dus au gel, à une négligence, une installation incorrecte, une utilisation ou un entretien inadéquats ou à un cas fortuit. Les pièces qui brisent ou deviennent défectueuses pendant la période de garantie seront réparées ou remplacées, à notre discrétion, dans les 90 jours suivant la réception du produit défectueux, à moins de délais imprévus, et ce, gratuitement.

Une preuve d'achat est requise pour exercer la garantie. En l'absence de la preuve d'achat, la date de fabrication du produit sera l'unique moyen de déterminer la date de l'achat.

Pour vous prévaloir de la garantie, veuillez vous adresser au lieu d'achat ou au Centre de service Hayward agréé le plus près. Pour connaître le Centre de service Hayward le plus près, visitez [www.hayward.com](http://www.hayward.com).

Hayward n'est pas responsable des frais de transport, de démontage, de réparation ou d'installation ni de tous autres frais encourus pour obtenir le remplacement ou la réparation sous garantie.

La garantie de Hayward Pool Products ne s'applique pas aux composantes fabriquées par d'autres. Pour de tels produits, la garantie établie par leurs fabricants respectifs s'appliquera.




La garantie expresse limitée ci-dessus constitue l'entière garantie de Hayward Pool Products en ce qui a trait à ses produits pour piscines et remplace toute autre garantie expresse ou implicite, y compris les garanties de valeur marchande et d'adéquation à un usage particulier. Hayward Pool Products décline toute responsabilité quant aux dommages consécutifs, spéciaux ou indirects de quelque nature que ce soit.

Certaines juridictions interdisant de limiter la durée d'une garantie ou d'exclure les dommages indirects ou consécutifs, la limitation ci-dessus pourrait ne pas s'appliquer à votre situation. Cette garantie vous accorde des droits juridiques particuliers, auxquels peuvent s'ajouter d'autres droits qui varient d'une juridiction à une autre.




Hayward Pool Products  
620 Division Street  
Elizabeth, NJ 07207

\*Remplace toutes les publications antérieures.

## RENSEIGNEMENT POUR LE CONSOMMATEUR ET SA SÉCURITÉ

 <b>DANGER</b>	<b>Risque de choc électrique ou d'électrocution</b> L'alimentation électrique de ce produit doit être installée conformément aux codes et ordonnances municipaux. Une installation inadéquate crée un risque électrique pouvant entraîner de graves blessures ou la mort des utilisateurs de la piscine et d'autres personnes par suite d'un choc électrique et causer des dommages matériels.
 <b>AVERTISSEMENT</b>	Ne pas jouer avec l'appareil de nettoyage ou le câble ni l'appliquer sur le corps. L'appareil peut piéger les cheveux ou d'autres parties du corps. Le câble peut faire trébucher les baigneurs et entraîner une noyade.
 <b>ATTENTION</b>	Avant d'installer l'appareil de nettoyage, comprendre la couverture qu'il peut offrir. Il n'est pas conçu pour nettoyer automatiquement des marches ni pour travailler sous une toile solaire. Il n'est pas conçu non plus pour effectuer le nettoyage initial d'une piscine nouvellement installée.

## UTILISATION DU NETTOYEUR AUTOMATIQUE

 <b>AVERTISSEMENT</b>	Un dispositif de protection différentielle de 30 mA doit être installé pour protéger votre prise de courant et prévenir tout choc électrique possible. Toute négligence à cet égard présente un risque électrique pouvant entraîner de graves blessures ou la mort des utilisateurs de la piscine et d'autres personnes par suite d'un choc électrique et causer des dommages matériels.
 <b>ATTENTION</b>	<b>NE PAS</b> mettre le nettoyeur de piscine en « MARCHE » s'il n'est pas immergé dans l'eau. Faire fonctionner le nettoyeur hors de l'eau risque de l'endommager gravement et entraînera l'annulation de la garantie. Ne pas oublier de toujours mettre l'alimentation sur « ARRÊT » et de débrancher l'appareil de la prise de courant avant de le sortir de la piscine.
 <b>AVERTISSEMENT</b>	Il est obligatoire de laisser une distance de sécurité entre le bloc d'alimentation et la piscine, tel qu'exigé par les normes actuelles relatives à l'installation (minimum 3,5 mètres ou 11,5 pieds).



**▲ AVERTISSEMENT - LISEZ CES CONSEILS  
D'UTILISATION IMPORTANTS AVANT D'UTILISER  
VOTRE APPAREIL!**

Cher propriétaire d'un robot nettoyeur Hayward,

Merci d'avoir choisi Hayward. Pour obtenir un rendement optimal, veuillez lire et suivre ces étapes:

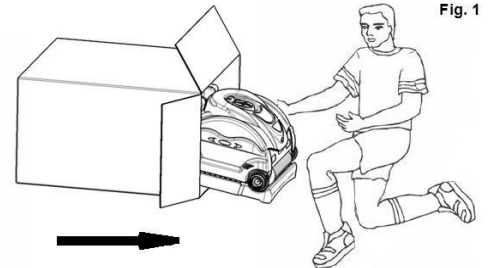
1. Les cartouches du robot nettoyeur doivent être nettoyées après chaque utilisation ou aussi souvent que nécessaire pour assurer son rendement optimal (voir les directives de nettoyage du filtre à la section Entretien).
2. Avant d'utiliser le robot nettoyeur et particulièrement lors de l'ouverture de la piscine pour la première fois, enlevez les gros objets comme les jouets, grandes feuilles et autres débris de la piscine pouvant diminuer le rendement du nettoyeur. Nettoyez fréquemment le filtre si la piscine est excessivement sale.
3. Lors de la première utilisation, utilisez le robot nettoyeur durant un cycle complet (3 heures) pour obtenir une piscine bien propre et comprendre la capacité du robot.
4. Le robot nettoyeur pourra aller périodiquement sur la paroi, mais il ne grimpera pas nécessairement à la verticale. C'est une partie normale du cycle programmé.
5. Le robot nettoyeur peut s'arrêter au milieu de la piscine et faire marche arrière durant un cycle de nettoyage. C'est une partie normale du cycle programmé.
6. **NE faites PAS** démarrer le robot nettoyeur hors de la piscine. Ne placez le bouton d'interrupteur en position de «**MARCHE**» que si l'appareil est complètement immergé. Lorsque l'appareil aura terminé le nettoyage, il s'arrêtera automatiquement, mais il est préférable de placer l'interrupteur sur «**ARRÊT**».
7. Ne le branchez que dans une prise de 110-120 volts CA protégée par un disjoncteur de fuite à la terre (GFCI).
8. Placez le bloc d'alimentation du robot nettoyeur à une distance minimale de 3,5 mètres (11,5 pieds) du bord de la piscine. La longueur du câble standard du robot nettoyeur est de 18,29 mètres (60 pieds).

## DIRECTIVES GÉNÉRALES D'UTILISATION

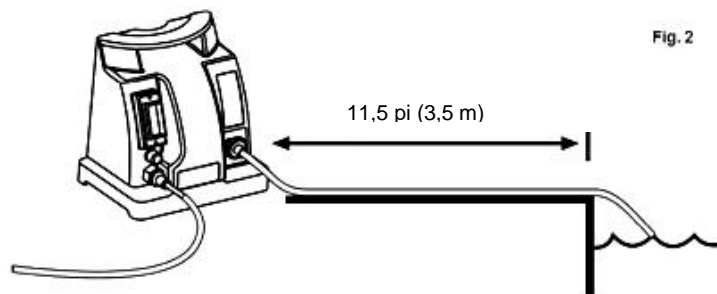
Prenez le temps de vous familiariser avec le robot nettoyeur à l'aide de la figure 3. Ce manuel se réfère à cette illustration en indiquant les diverses composantes du robot nettoyeur.

Sortez le robot nettoyeur de sa boîte en plaçant le carton à l'envers. Sur les modèles qui comportent un chariot de transport, le robot et le bloc d'alimentation sont prémontés sur le chariot.

Reportez-vous à la figure 4 pour le chariot de transport.



1. Choisissez la prise de 110-120 volts c.a. protégée par un disjoncteur de fuite à la terre (GFCI) la plus proche.
2. Placez le bloc d'alimentation du robot nettoyeur à une distance minimale de 3,5 mètres (11,5 pieds) du bord de la piscine. La longueur du câble standard du robot nettoyeur est de 18,29 mètres (60 pieds).



3. Connectez le câble flottant au bloc d'alimentation. N'utilisez que le bloc d'alimentation original fabriqué par Hayward.
4. Placez le robot nettoyeur dans la piscine. Il coulera doucement jusqu'au fond de la piscine tandis que l'air qui contient s'enfuit.
5. Branchez le bloc d'alimentation à la prise de courant protégée et mettez l'interrupteur en marche. Le robot nettoyeur effectuera pendant quelques minutes un autodiagnostic avant d'entreprendre son cycle de nettoyage.
6. **⚠ Remarque:** Pour réduire les risques de blessure et éviter d'endommager le robot nettoyeur lors de la séquence de démarrage, l'appareil est muni d'un détecteur de non-immersion l'informant s'il est hors de l'eau. S'il ne détecte pas la présence de l'eau, il s'éteint de lui-même. Pour reprendre le cycle de nettoyage, coupez l'alimentation pendant 10 secondes et redémarrez.
7. Le robot nettoyeur s'arrêtera automatiquement après 3 heures, soit un cycle de nettoyage complet. Si votre piscine peut être nettoyée en moins de 3 heures, arrêtez le robot nettoyeur manuellement en plaçant l'interrupteur sur Arrêt. Si vous devez entreprendre un deuxième cycle de nettoyage, coupez l'alimentation pendant 10 secondes et redémarrez.



8. Une fois la piscine nettoyée, mettez l'alimentation sur «ARRÊT» avant de sortir le robot nettoyeur de la piscine.
9. Sortez le nettoyeur de l'eau à l'extrémité peu profonde de la piscine en tirant doucement sur le câble jusqu'à ce que l'appareil atteigne la surface. **Sortez-le ensuite de l'eau, en le prenant dans vos mains et NON en tirant sur le câble.**
10. Si le cordon électrique est endommagé, il doit être remplacé par le fabricant, un préposé au service ou une personne tout aussi qualifiée afin d'éviter tout danger.
11. Toutes les connexions électriques doivent être réalisées par un électricien qualifié conformément aux normes électriques locales (voir page 19).

## Utilisation Du Robot Nettoyeur Avec Une Minuterie Du Marché Secondaire

Si vous utilisez une minuterie du marché secondaire pour actionner votre robot nettoyeur, veuillez suivre ces instructions:

1. Branchez la minuterie dans la prise de 110-120 volts c.a. protégée par un disjoncteur de fuite à la terre (GFCI) la plus proche, puis branchez le bloc d'alimentation dans la minuterie.
2. Le robot nettoyeur fonctionne sur un cycle de 3 heures. Il faut donc régler la durée de la minuterie sur 3 heures ou plus. Si la minuterie est réglée sur une durée de moins de 3 heures, le robot nettoyeur ne fonctionnera que pendant la période que vous avez réglée. Si vous réglez la minuterie sur une durée de plus de 3 heures, le robot nettoyeur s'arrêtera automatiquement après son cycle de 3 heures. Si vous devez entreprendre un deuxième cycle de nettoyage, coupez l'alimentation pendant 10 secondes et redémarrez.

**▲ ATTENTION:** En sortant le robot nettoyeur de la piscine, n'enroulez **PAS** son câble autour de votre bras. L'appareil est lourd et peut vous faire perdre l'équilibre et tomber dans la piscine. Pour éviter de tomber dans la piscine, enroulez doucement le câble d'une main à l'autre depuis la partie la moins creuse de la piscine.

**N'ENTREZ PAS DANS LA PISCINE LORSQUE LE ROBOT NETTOYEUR EST EN MARCHÉ.**

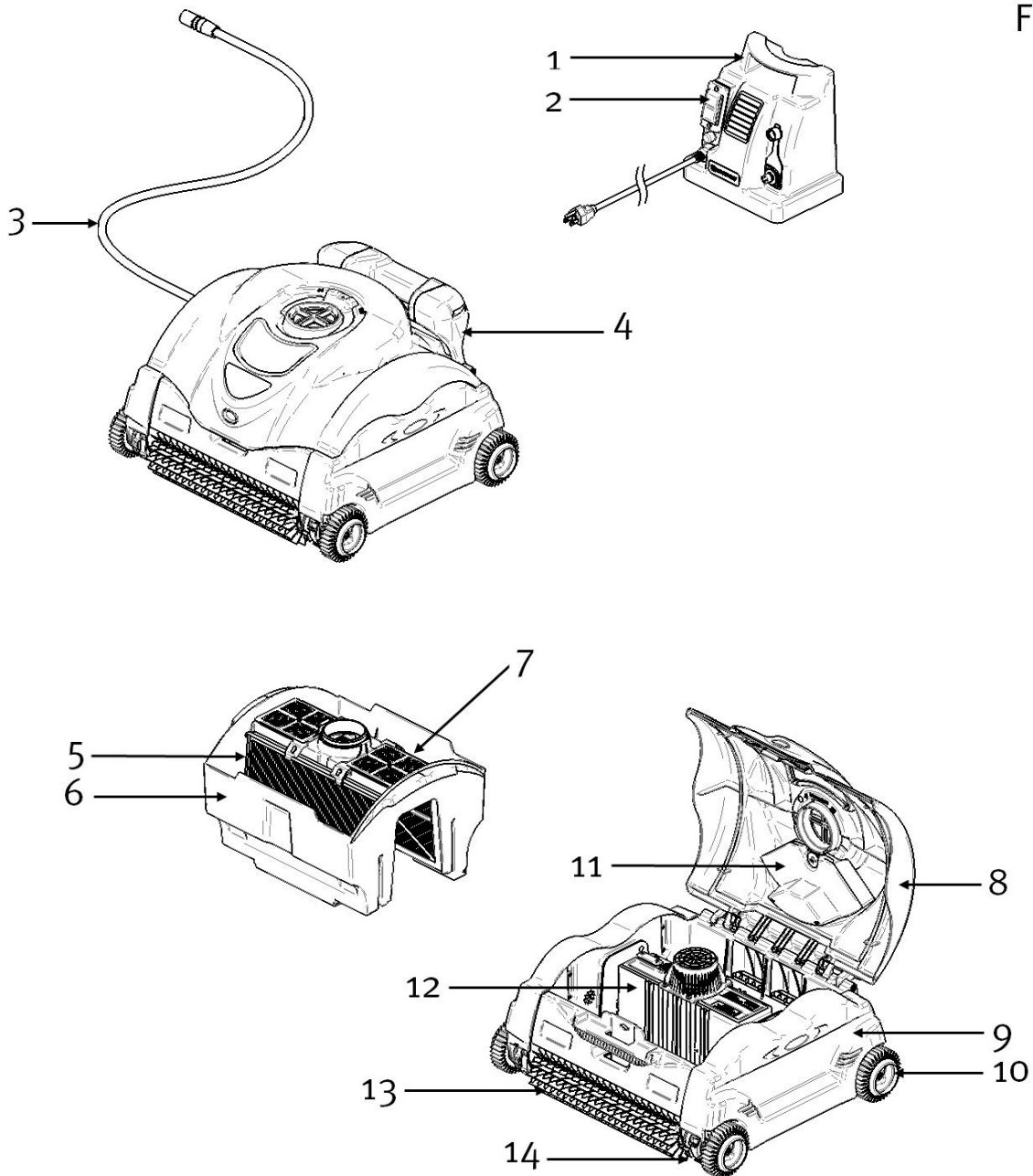
La température optimale de l'eau pour le robot nettoyeur est de 10 °C à 35 °C (50 °F à 100 °F).

Sortez l'appareil de la piscine, videz le panier de filtre et lavez les filtres après chaque utilisation. Laisser le robot nettoyeur en permanence dans l'eau risque de l'endommager et d'exiger des réparations (voir les directives de nettoyage à la section Entretien).

Rangez le robot nettoyeur dans un endroit ombragé.



Fig. 3



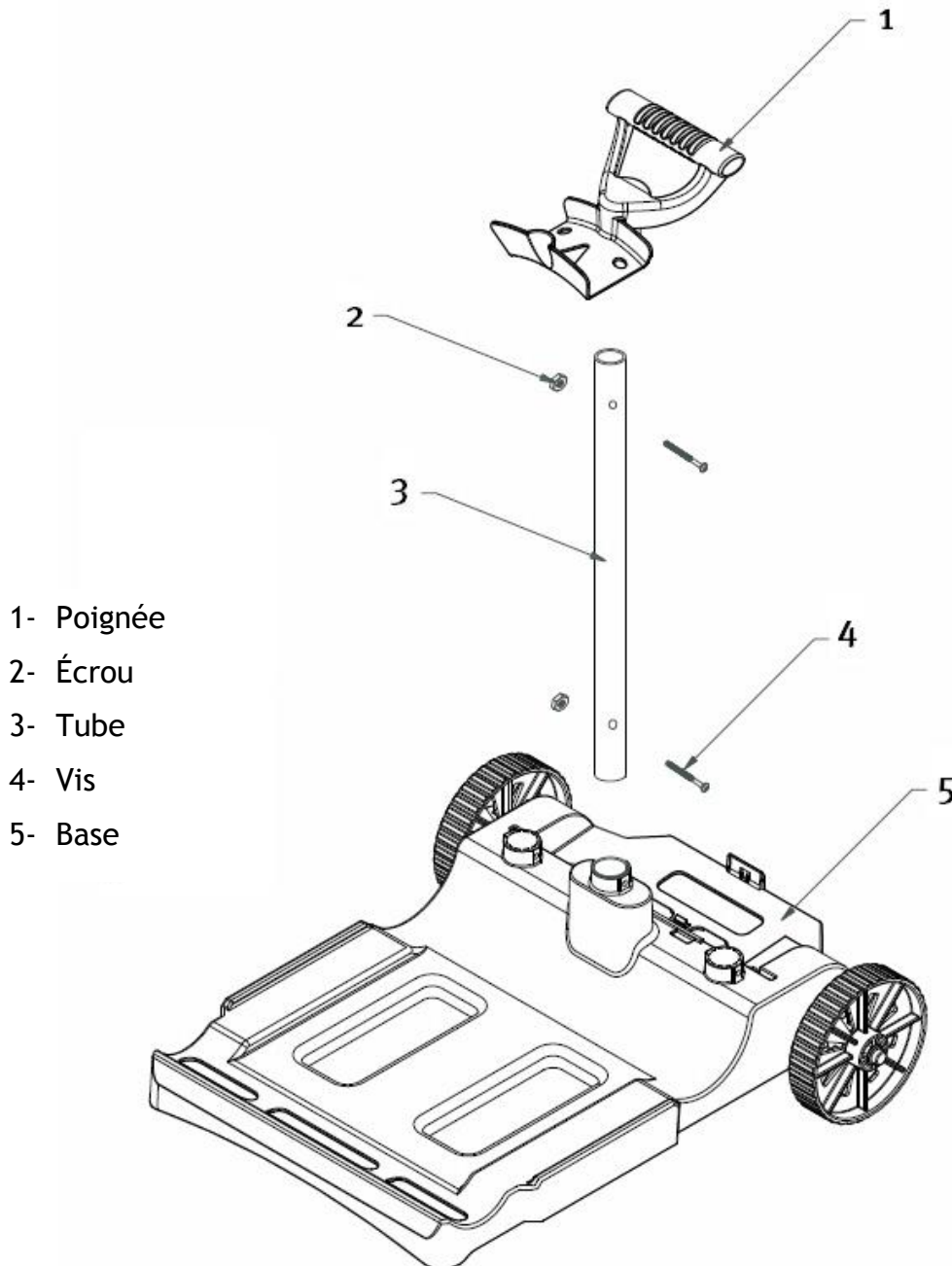
1. Bloc d'alimentation
2. Interrupteur Marche/Arrêt
3. Câble flottant
4. Poignée
5. Cartouche de filtre
6. Panier de filtre
7. Porte d'accès du filtre

8. Couvercle arrondi
9. Panneau latéral
10. Roulette
11. Ensemble de flotteur
12. Moteur étanche
13. Brosse à roulette et tube
14. Entraînement

## INSTRUCTIONS POUR LE CHARIOT - VOIR SCHÉMA

- Le chariot de transport se présente partiellement assemblé dans sa boîte, sauf la poignée et le tube (1 et 3).
- Insérez le tube dans la base (5) puis insérez une vis (4) et fixez-la avec un écrou (2).
- Placez la poignée sur le haut du tube, insérez une vis (4) et fixez-la avec un écrou (2).

Fig. 4



## ENTRETIEN

Nettoyez la cartouche de filtre après chaque utilisation:

1. Ouvrez le robot nettoyeur en appuyant sur le bouton du couvercle arrondi et en le soulevant.

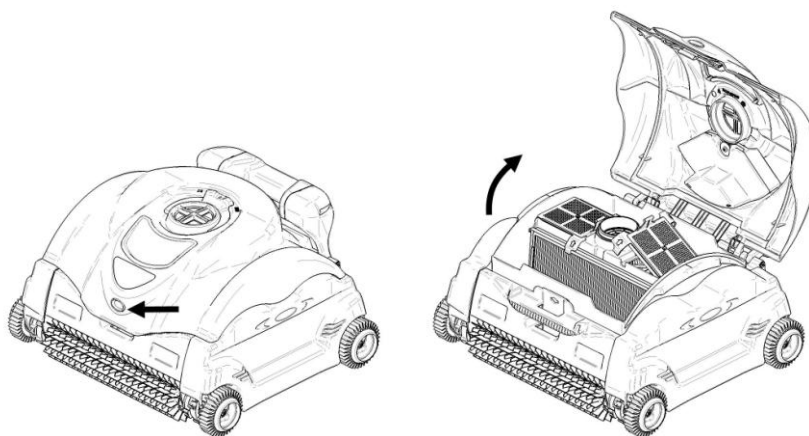


Fig. 5

2. Enlevez le panier de filtre à accès facile en le soulevant avec les mains de chaque côté.
3. Retournez le panier pour enlever les débris et rincez-le avec un tuyau d'arrosage pour éliminer les fines particules.
4. Il n'est pas nécessaire d'enlever les cartouches de filtre pour les nettoyer.

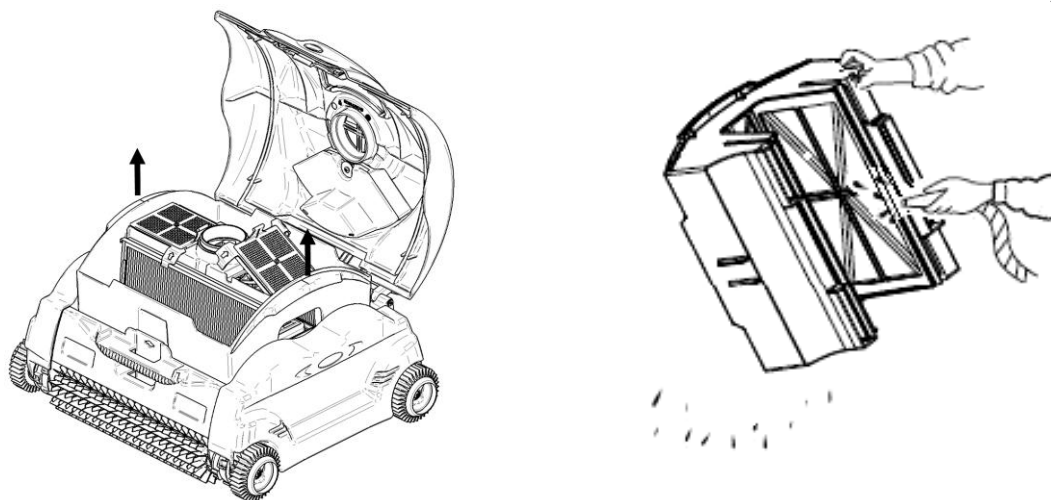
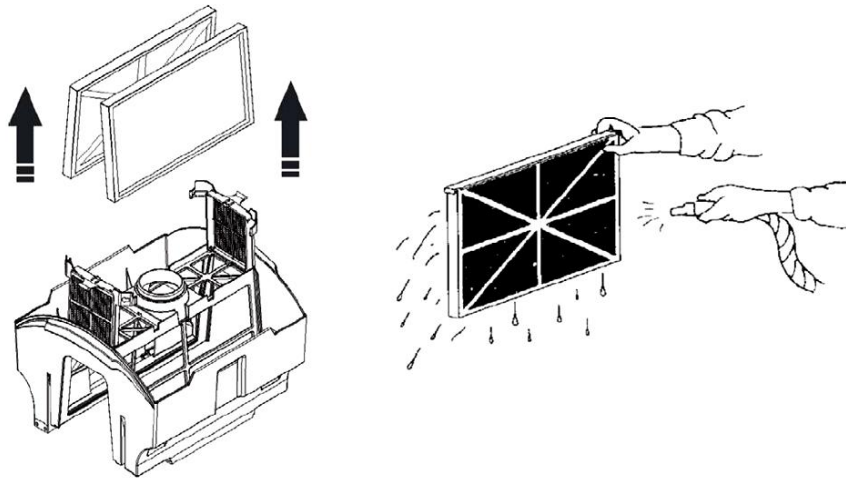


Fig. 6

5. Pour enlever les cartouches de filtre:

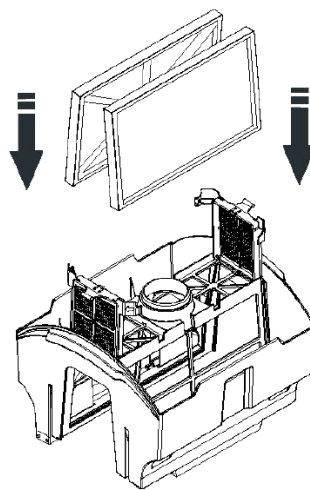
- a. Dégagez et soulevez les deux loquets d'accès aux filtres.
- b. Sortez les cartouches de filtre. À l'aide d'un tuyau d'arrosage muni d'un embout à pulvérisateur, lavez les éléments de filtre pour éliminer les débris. Tenez les éléments de filtre tel qu'illustré pour laisser les débris tomber. Une solution nettoyante pour filtre peut être utilisée pour enlever tout excès de saleté ou de sable. Plus le filtre est propre, plus il sera efficace.

Fig. 7



- c. Lavez l'ensemble du panier filtrant (illustration précédente).
- d. Remplacez les cartouches de filtre dans le panier, les renforts centraux du cadre étant tournés vers l'intérieur.

Fig. 8



- e. Engagez les loquets d'accès aux filtres en place.

6. Remplacez l'ensemble de panier filtrant dans le robot nettoyeur en suivant le schéma pour déterminer l'avant et l'arrière.
7. Refermez le couvercle arrondi et appuyez sur le bouton pour engager le couvercle en place.

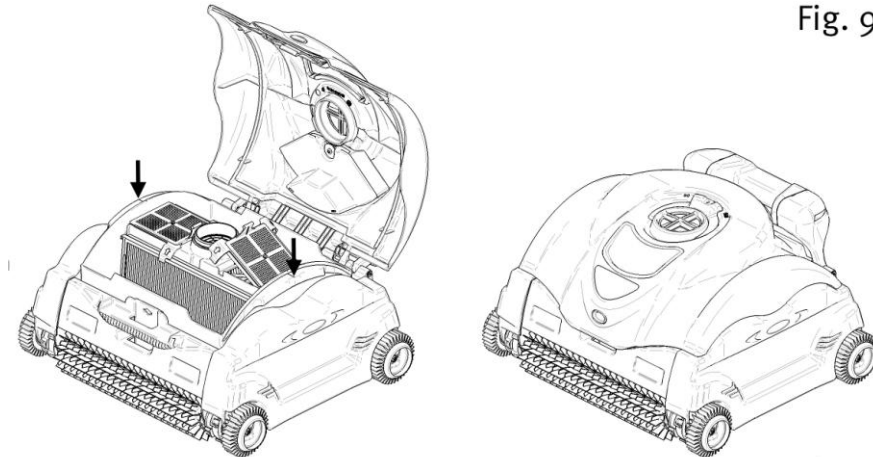


Fig. 9

## Nettoyage périodique des pièces mobiles

**⚠ AVERTISSEMENT:** Débranchez le bloc d'alimentation de la prise de courant avant de nettoyer les pièces.

- Inspectez le venturi pour vous assurer que l'hélice est exempte de débris ou de cheveux.
- L'hélice peut être nettoyée en pulvérisant de l'eau avec un tuyau d'arrosage.
- Pulvérisez de l'eau autour de l'ensemble de flotteur pour éliminer le sable ou les débris afin que le flotteur puisse bouger librement.
- Enlevez tout débris accumulé entre les voies d'entraînement et les roulettes.

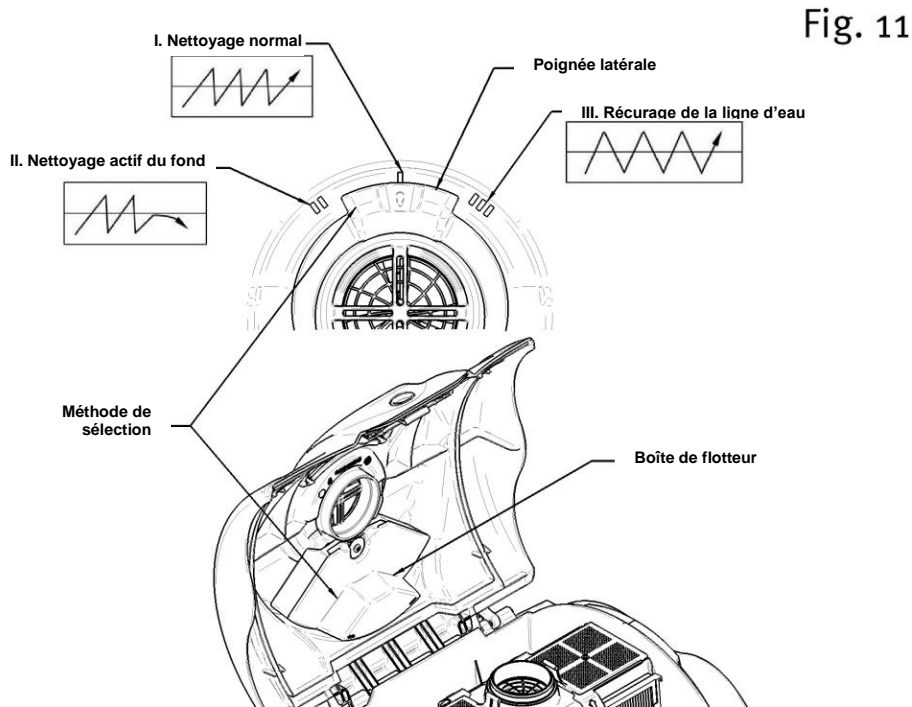
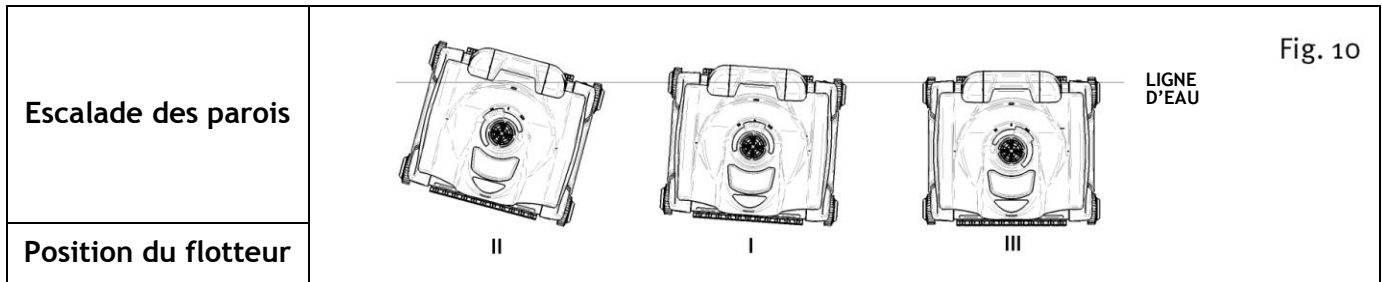
## Rangement

Lorsque l'appareil est hors de l'eau, rangez-le dans un endroit ombragé et sec à une température de 4 °C à 46 °C (40 °F à 115 °F).

## Entretien du câble

À force d'être utilisé, le câble peut finir par s'entortiller (comme le cordon d'un téléphone). Pour corriger la situation, étirez périodiquement le cordon au soleil pour éliminer les tortillements.

**IMPORTANT:** Vérifiez périodiquement que l'extérieur du câble n'est pas endommagé.



## FONCTION D'ESCALADE DES PAROIS

- Le robot nettoyeur SharkVac-XL est doté d'une « technologie de flottaison mobile ». Chaque position du flotteur (I, II et III) produit un mode d'escalade différent.
- La position « I » du flotteur est celle par défaut et place le flotteur au centre du robot nettoyeur, offrant ainsi la meilleure action nettoyante pour la plupart des piscines.
- La position « II » du flotteur incline davantage l'angle de l'appareil, accélérant son déplacement le long de la ligne d'eau ou de la paroi de la piscine et augmentant la couverture du nettoyage.
- La position « III » du flotteur réduit l'angle de l'appareil, ralentissant son déplacement et lui permettant de récurer davantage le long de la ligne d'eau ou de la paroi de la piscine. Cette position facilitera l'escalade des parois de piscine dont les surfaces sont lisses comme celle des **carreaux** ou **la fibre de verre**.
- Méthode de sélection: La position se règle à l'aide de la poignée centrale lorsque le couvercle est fermé ou si le couvercle est ouvert, en déplaçant la boîte du flotteur à l'endroit voulu.



## DÉTECTEUR DE NON-IMMERSION

Pour éviter d'endommager le robot nettoyeur, celui-ci comporte un dispositif lui permettant de détecter s'il n'est pas suffisamment immergé au moment de son démarrage ou s'il sort de l'eau pendant son fonctionnement.

### **Non-immersion lors du démarrage**

La non-immersion lors du démarrage signifie que le robot nettoyeur était hors de l'eau lorsqu'il a été mis en marche, soit par l'utilisateur qui a branché le bloc d'alimentation dans une prise de courant protégée et actionné l'interrupteur, soit par une minuterie qui commande le bloc d'alimentation, et ce, avant que le robot nettoyeur ait été mis dans l'eau. Si l'appareil ne capte pas la présence de l'eau, il s'éteint de lui-même. Pour reprendre le cycle de nettoyage, coupez l'alimentation pendant 10 secondes et redémarrez.

### **Sortie hors de l'eau pendant le fonctionnement**

Une sortie hors de l'eau pendant le fonctionnement signifie que le robot nettoyeur a quitté l'eau ou en a été retiré pendant son cycle normal de nettoyage. Si l'appareil détecte qu'il n'est plus dans l'eau, il essaiera d'y revenir en inversant sa marche actuelle. Si l'appareil ne capte pas la présence d'eau dans les 90 secondes après en être sorti, il s'éteint de lui-même. Pour reprendre le cycle de nettoyage, coupez l'alimentation pendant 10 secondes et redémarrez.



## CONSEILS IMPORTANTS

- Ne laissez pas tomber et ne lancez pas le robot nettoyeur dans la piscine. Placez-le loin de la paroi de la piscine, mais sans le lancer.
- Le nettoyage des cartouches de filtre après chaque utilisation maximise le rendement de l'appareil.
- Remplacez les brosses usées et les rouleaux en mousse.
- Pour éviter l'obstruction des éléments du filtre, assurez-vous que les produits chimiques en poudre sont complètement dissouts avant de faire fonctionner le robot nettoyeur.
- Dans une piscine à forte teneur en calcium, il est conseillé de nettoyer plus souvent les cartouches filtrantes.
- Conservez le carton original pour entreposer l'appareil pendant un temps prolongé ou pour l'expédier au concessionnaire s'il doit être mis au point.
- **Le moteur étanche de l'appareil et le bloc d'alimentation ne contiennent aucune pièce pouvant être réparée par l'utilisateur. L'ouverture de ces composantes ANNULERA automatiquement votre garantie.**
- Enlevez les objets tels que les thermomètres et jouets de la piscine avant de faire fonctionner l'appareil. Ils risquent de le bloquer et de provoquer des dommages à l'appareil ou à la piscine.
- Le panier de filtre est conçu pour être nettoyé sans en retirer les filtres lors d'un nettoyage normal. Pour un nettoyage en profondeur, l'utilisateur peut enlever chaque cartouche filtrante et les nettoyer séparément.
- Durant le cycle normal de fonctionnement du robot, le côté muni d'une poignée s'élèvera au fond de la piscine pour permettre à l'appareil d'éviter les obstacles, comme un drain surélevé ou des marches d'escalier.
- Si le robot nettoyeur est utilisé dans une zone contenant beaucoup de sable, il pourra être nécessaire de rincer avec de l'eau chaque clapet (les clapets du panier filtrant sont situés sur l'orifice d'admission) ainsi que le bouton-poussoir du couvercle arrondi pour assurer leur bon fonctionnement.

## DÉPANNAGE

- Si le robot nettoyeur ne parvient pas à aspirer les débris fins ou lourds:
  - Il peut être obstrué. Nettoyez le filtre. Une solution nettoyante pour filtre peut être utilisée pour enlever tout excès de saleté ou de sable.
- Si le robot nettoyeur commence à fonctionner momentanément puis s'arrête:
  - L'hélice peut être obstruée ou bloquée par des débris. Vérifiez et nettoyez-la en suivant les instructions de la section Entretien.
  - Le rouleau de brosse ou l'entraînement peuvent être bloqués. Vérifiez qu'il n'y a pas de débris et nettoyez-les si nécessaire.
  - Le robot nettoyeur fonctionne à la fois par minutage du temps et par détection des murs, selon ce qui advient en premier.
- Il y a trois orifices d'admission situés au fond du panier de filtre et près du rouleau de brosse. Vérifiez qu'ils sont exempts de débris et nettoyez-les s'il y a lieu.
- Le robot nettoyeur peut se trouver coincé si la piscine est munie d'un drain surélevé. L'appareil peut y rester perché pendant une courte période, mais il finira par se dégager de lui-même en raison de son programme intégré.
- Rendement du robot nettoyeur: Il peut y avoir confusion quant à la façon dont le robot nettoyeur fonctionne à différents moments de son cycle. Il importe de juger le rendement du robot nettoyeur en observant l'amélioration de la propreté de la piscine après qu'il a terminé un cycle de nettoyage complet.
- Si l'appareil présente une mauvaise couverture de la piscine lors d'un cycle ou ne couvre qu'une petite portion, vérifiez le filtre et nettoyez-le si nécessaire et assurez-vous que l'appareil n'a pas été coincé sur un drain, sur une tête de nettoyage intégré au plancher ou par un jouet. L'utilisateur peut faire démarrer le robot nettoyeur à différents endroits de la piscine pour trouver le point optimal.
- Si des débris tombent du robot nettoyeur lorsque vous le sortez de la piscine, son filtre peut être surchargé. Augmentez la fréquence des nettoyages du filtre. Assurez-vous qu'il n'y a pas de gros débris obstruant les trois orifices. Les gros débris doivent être enlevés de la piscine avant d'utiliser l'appareil. Si les clapets de drain ont été déplacés ou sont coincés en position ouverte par du sable ou des feuilles, ils pourront être remis en place après le nettoyage de cette zone.
- Si le cordon flottant s'entortille parce que le robot nettoyeur s'est trouvé bloqué par de gros objets, tels que des roches, des jouets ou les drains de la piscine, il peut être redressé en le déployant sur toute sa longueur (si possible) au soleil; la chaleur du soleil aidera à éliminer les torsions.
- Si une grande quantité de débris est visible par les fenêtres du couvercle arrondi, retirez sans tarder le robot nettoyeur de l'eau afin d'éviter que les débris s'échappent du panier filtrant et reviennent dans la piscine.
- Si vous observez que le robot nettoyeur passe plus de temps que souhaité sur la ligne de la paroi ou des carreaux, remettez le flotteur à la position I (au centre/position par défaut).

Poids (sans câble)	10,45 kg (23 lb)		
Longueur du câble, type	18,29 m (60 pi)		
Matériaux	ABS à haute résistance aux chocs - Pièces métalliques en acier inoxydable		
Moteur	Pompe	Entraînement	PCB
Régime (tr/min)	2700	55	-
Tension	24 V c.c.	22 V c.c.	5 V c.c.
Courant (ampères)	2,62 A	0,63 A	-
Étanchéité à l'eau	Triples joints d'arbre et joints toriques radiaux redondants		
Boîtier du moteur	Scellé, étanche, polypropylène à haute résistance aux chocs		
Protection de surcharge	Surveillance électronique de surcharge avec arrêt automatique		
Filtre			
Type	Cartouche d'élément plissé amovible, réutilisable		
Substrat	Mélange de cellulose/polyester plissé		
Commande de routine de nettoyage			
Type	Microprocesseur à commande logique adaptive (ASCL®)		
Cycle de nettoyage	Cycle complet		
	3 heures		
Système d'entraînement	Entraînement direct avec rail de polyuréthane et système de roulements		
Bloc d'alimentation			
Tension primaire d'entrée	110-120 V c.a.		
Tension secondaire de sortie	24 V c.c.		
Courant nominal de sortie	4 A		
Poids	3,8 kg (8,3 lb)		
Emballage			
Dimensions du carton (mm)	Longueur	Largeur	Hauteur
	620 mm (24 po)	440 mm (17 po)	752 mm (30 po)
Poids d'expédition avec	22,3 kg (49 lb)		
Sans chariot	19,5 kg (43 lb)		

## CONSIGNES DE SÉCURITÉ IMPORTANTES

Ce robot nettoyeur pour piscines a été fabriqué avec le plus grand soin et le plus grand souci de sécurité. Nous vous conseillons d'intégrer les précautions suivantes aux règles de sécurité de votre piscine:

### CONSERVER CES INSTRUCTIONS

1. PLACEZ TOUJOURS L'APPAREIL DANS L'EAU AVANT de le brancher à une prise de courant à disjoncteur de fuite à la terre (GFCI).
2. IL EST IMPORTANT POUR LA SÉCURITÉ DES BAIGNEURS D'ENLEVER L'APPAREIL DE LA PISCINE TOUT DE SUITE APRÈS SON UTILISATION. CELA PROLONGERA ÉGALEMENT LA DURÉE DE VIE DU ROBOT NETTOYEUR.
3. ASSUREZ-VOUS QUE L'APPAREIL EST UNIQUEMENT BRANCHÉ DANS UNE PRISE DE COURANT MUNIE D'UN DISJONCTEUR DE FUITE À LA TERRE HOMOLOGUÉ (GFCI).
4. NE MANIPULEZ PAS L'APPAREIL LORSQU'IL EST BRANCHÉ DANS LA PRISE DE COURANT.
5. N'UTILISEZ PAS UNE RALLONGE ÉLECTRIQUE. ELLE POURRAIT PRÉSENTER UN RISQUE ET/OU ENDOMMAGER VOTRE ROBOT NETTOYEUR.
6. RESTEZ HORS DE LA PISCINE LORSQUE LE ROBOT NETTOYEUR EST EN MARCHÉ.
7. NE LAISSEZ JAMAIS LA FICHE ÉLECTRIQUE ENTRER DANS L'EAU.
8. NE FAITES PAS FONCTIONNER L'APPAREIL HORS DE L'EAU, CE QUI ABÎMERA LES JOINTS DU MOTEUR ET ANNULERA LA GARANTIE.
9. NE TIREZ PAS L'APPAREIL HORS DE LA PISCINE CONTRE LA PAROI LATÉRALE. VOUS RISQUEZ D'ENDOMMAGER L'APPAREIL ET/OU LA PAROI DE LA PISCINE.
10. N'ENTERREZ PAS LE CORDON ÉLECTRIQUE. NE FAITES PAS FONCTIONNER LE ROBOT NETTOYEUR AVEC UN CORDON ABÎMÉ. REMPLACEZ IMMÉDIATEMENT TOUT CORDON ABÎMÉ.

**▲ AVERTISSEMENT - POUR RÉDUIRE LES RISQUES DE BLESSURE, NE PERMETTEZ PAS AUX ENFANTS D'UTILISER CE PRODUIT SANS EXERCER UNE ÉTROITE SURVEILLANCE EN TOUT TEMPS.**

11. Si le cordon électrique est endommagé, il doit être remplacé par le fabricant, un préposé au service ou une personne tout aussi qualifiée afin d'éviter tout danger.
12. Bien que le robot nettoyeur ait été conçu afin d'être le plus sécuritaire possible, nous vous suggérons de prendre raisonnablement soin de l'aspirateur et de vérifier souvent que le cordon n'est pas endommagé ni usé comme avec tout autre appareil électrique. Après l'utilisation, enlevez l'appareil et rincez-le avec de l'eau propre et éliminez les torsions que son cordon peut présenter.

## GARANTIE LIMITÉE HAYWARD®

Tous les produits HAYWARD sont couverts contre les défauts de matériaux et de fabrication pendant une période de garantie de 2 ans à compter de la date de leur achat. Toute demande au titre de la garantie doit s'accompagner d'une preuve d'achat datée. Nous vous conseillons donc de conserver votre facture.

La garantie HAYWARD se limite à la réparation ou au remplacement, au choix de HAYWARD, des produits défectueux, à condition qu'ils aient été soumis à une utilisation normale, conformément aux directives des guides de l'utilisateur, et que les produits n'aient été aucunement modifiés et aient été utilisés exclusivement avec des pièces et des composants HAYWARD. La garantie ne couvre pas les dommages dus au gel et aux produits chimiques. Tous les autres frais (transport, main-d'œuvre, etc.) sont exclus de la garantie.

HAYWARD décline toute responsabilité pour des dommages directs ou indirects découlant d'une installation, d'une connexion ou d'une utilisation incorrecte d'un produit.

Pour vous prévaloir de la garantie et demander la réparation ou le remplacement d'un article, veuillez vous adresser à votre concessionnaire.

Aucun appareil retourné à notre usine ne sera accepté sans notre approbation écrite préalable.

**Les pièces pouvant s'user ne sont pas couvertes par la garantie.**

## EXCEPTIONS ET EXCLUSIONS DE LA GARANTIE

Le robot nettoyeur doit être utilisé selon les exigences indiquées sur le bloc d'alimentation. Tout dommage, défectuosité, mauvais fonctionnement ou autre défaillance du nettoyeur découlant de l'utilisation d'une alimentation électrique non conforme à ces indications est exclu de cette garantie.

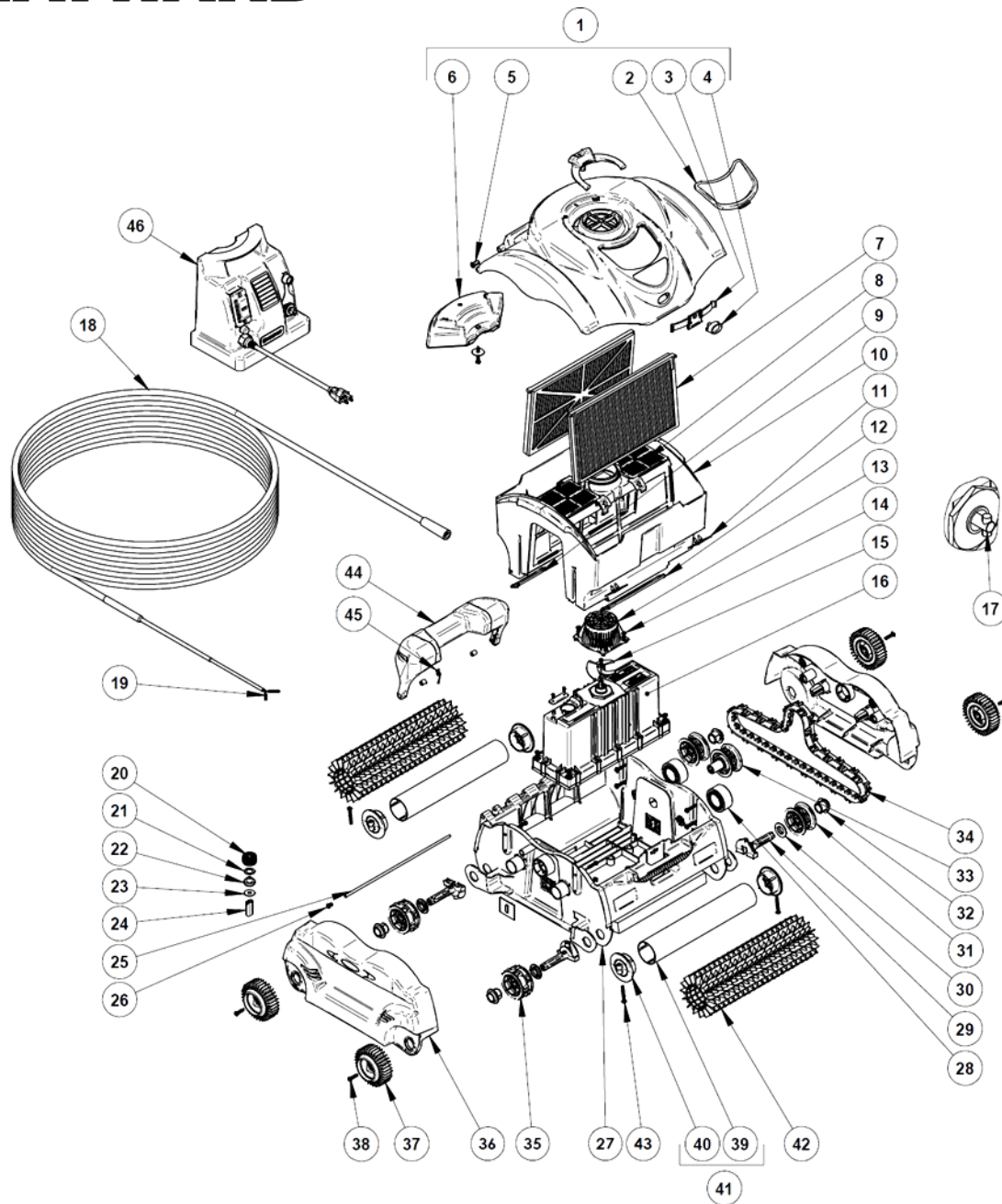
Les défectuosités, mauvais fonctionnements, défaillances ou dommages du nettoyeur causés par une utilisation inadéquate, déraisonnable, négligente ou abusive par le consommateur sont exclus de cette garantie.

Le robot nettoyeur doit être utilisé selon les exigences indiquées sur le bloc d'alimentation. Tout dommage, défectuosité, mauvais fonctionnement ou autre défaillance du nettoyeur découlant de l'utilisation d'une alimentation électrique non conforme à ces indications est exclu de cette garantie.

Les cartouches de filtre ne sont pas couvertes par la garantie et ne seront remplacées que sur votre approbation préalable des frais.

## NORME ÉLECTRIQUE/PAYS

F	NF EN C 15-100	GB	BS7671:1992
D	DIN VDE 0100-702	EW	EVHS-HD 384-7-702
A	ÖVE 8001-4-702	H	MSZ 2364-702:1994 / MSZ 10-533 1/1990
E	UNE 20460-7-702 1993, REBT ITC-BT-31 2002	M	MSA HD 384-7-702.S2
IRL	Règles de câblage + IS HD 384-7-702	PL	PN-IEC 60364-7-702:1999
I	CEI 64-8/7	CZ	CSN 33 2000 7-702
LUX	384-7.702 S2	SK	STN 33 2000-7-702
NL	NEN 1010-7-702	SLO	SIST HD 384-7-702.S2
P	RSIUEE	TR	TS IEC 60364-7-702



1	RCX97471SB	10	RCX97415	20	RCX59004	30	RCX97435	40	RCX 97441
	RCX97471CY	11	RCX97445	21	RCX12302	31	RCX97439	41	RCX97410BK
2	RCX97472	12	RCX97407	22	RCX97462	32	RCX97437	42	RCX26008
3	RCX97431	13	RCX97455	23	RCX12301	33	RCX97430	43	RCX97461
4	RCX97433	14	RCX12010	24	RCX59002	34	RCX23002G	44	RCX97480SB
5	RCX97423	15	RCX11000	25	RCX97429	35	RCX97440		RCX97480CY
6	RCX97477	16	RCX97490XLN	26	RCX97459	36	RCX97403	45	RCX97427
7	RCX70101	17	RCX40117	27	RCX97401GR	37	RCX97449	46	RCX97453
8	RCX97417	18	RCX50064	28	RCX26000	38	RCX12011		
9	RCX97405	19	RCX59006	29	RCX97443	39	RCX97520BK		





# SharkVAC XL™ / e.VAC PRO™

de **HAYWARD®**

## Manual del propietario



### Contenido

Advertencias.....	45
Información .....	47
Instrucciones de operación.....	49
Mantenimiento .....	53
Solución de problemas .....	59
Registro de garantía.....	64

## INSTRUCCIONES DE SEGURIDAD IMPORTANTES

Siempre se deben seguir las precauciones de seguridad, incluidas las siguientes: De lo contrario podrían producirse lesiones graves y/o letales.

**!** Este es el símbolo de alerta de seguridad. Cuando vea este símbolo en el equipo o en este manual, busque una de las siguientes palabras de señal para estar alerta ante el riesgo de lesiones.

**!** **ADVERTENCIA** le advierte de los riesgos que **podrían ocasionar** lesiones graves, la muerte o daños materiales importantes y, si se hace caso omiso, representa un posible riesgo.

**!** **PRECAUCIÓN:** le advierte acerca de los riesgos que **ocasionarán** o que **pueden ocasionar** lesiones moderadas o leves y/o daños materiales y, si se hace caso omiso, representa un posible riesgo. También puede hacer conscientes a los clientes de acciones que no son predecibles ni prudentes.

La etiqueta de **AVISO** indica instrucciones especiales importantes, pero no relacionadas con los riesgos.

Hayward Pool Products  
620 Division Street, Elizabeth, NJ 07207  
Teléfono: (908) 351.5400  
[www.hayward.com](http://www.hayward.com)



**⚠ ADVERTENCIA** - Lea y siga todas las instrucciones que aparecen en el manual del propietario y en el equipo. De lo contrario podrían producirse lesiones graves o letales.

**⚠ ADVERTENCIA** - Peligro de atrapamiento por succión.



La succión en las salidas de succión o sus respectivas cubiertas que estén dañadas, rotas, agrietadas, falten o no estén afianzadas puede causar lesiones graves o la muerte debido a los siguientes peligros de atrapamiento:



**Atrapamiento del cabello:** El cabello puede enredarse en la cubierta de la salida de succión.



**Atrapamiento de extremidades:** Una extremidad introducida en la abertura del sumidero de la salida de succión o una cubierta de salida de succión que esté dañada, rota, agrietada, falta o no esté firmemente afianzada puede causar el atrapamiento mecánico o la hinchazón de la extremidad.



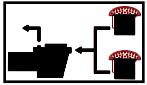
**Atrapamiento por succión del cuerpo:** Una presión negativa aplicada a una parte grande del cuerpo o las extremidades puede causar atrapamiento.



**Evisceración/descuartizamiento:** Una presión negativa aplicada directamente a los intestinos mediante un sumidero o cubierta de salida de succión que esté dañada, rota, agrietada, falta o no esté afianzada puede causar evisceración/descuartizamiento.

**Atrapamiento mecánico:** Existe la posibilidad de que las joyas, el traje de baño, los adornos para el cabello, los dedos de la mano, del pie o los nudillos queden atrapados en la abertura de la cubierta de la salida de succión causando atrapamiento mecánico.

**⚠ ADVERTENCIA** - Para reducir los peligros de atrapamiento:



- Cuando las salidas sean lo suficientemente pequeñas para ser bloqueadas por una persona, deben instalarse como mínimo dos salidas de succión por bomba. Las salidas de succión en el mismo plano (por ejemplo en el piso o la pared), deben instalarse como mínimo a tres pies (3') [1 metro] entre sí, medidos entre sus respectivos puntos próximos.
- Las conexiones de succión dobles deben colocarse en ubicaciones y distancias tales que eviten el "bloqueo doble" por parte del usuario.
- Las conexiones de succión dobles no deben colocarse en las áreas para sentarse ni en los respaldos de dichas áreas.
- La tasa de flujo máximo del sistema no debe exceder la tasa indicada en la Tabla 1.
- Nunca use la piscina ni el spa si un componente de la salida de succión está dañado, roto, agrietado, falta o no está firmemente afianzado.
- Reemplace inmediatamente dicho componente.
- Además de las dos o más salidas de succión instaladas de acuerdo con las normas ASME, APSP y las pautas de CPSC más recientes, cumpla todos los códigos nacionales, estatales y locales pertinentes.
- Se recomienda instalar un sistema de ventilación o de liberación de vacío que impida el atrapamiento por succión.

**⚠ ADVERTENCIA** - Si no se retiran de las salidas de succión los tapones de prueba de presión o los tapones usados durante la preparación para el invierno de la piscina/spa, puede producirse un peligro potencial de atrapamiento por succión, tal como se describió anteriormente.

**⚠ ADVERTENCIA** - Si no se mantienen libres de desechos los componentes de la salida de succión, como hojas, suciedad, pelo, papel u otros materiales, puede producirse un peligro potencial de atrapamiento por succión, tal como se describió anteriormente.

**⚠ ADVERTENCIA** - Los componentes de la salida de succión tienen una vida útil finita, la cubierta/rejilla debe inspeccionarse con frecuencia y reemplazarse al menos cada diez años o si está dañada, rota, agrietada, falta o no está firmemente afianzada.

**⚠ PRECAUCIÓN** - Los componentes como el sistema de filtración, las bombas y el calentador deben estar ubicados de tal manera que los niños no puedan usarlos como medios de acceso a la piscina.

**⚠ ADVERTENCIA** - Nunca opere ni pruebe el sistema de circulación a más de 50 PSI.

**⚠ ADVERTENCIA** - Nunca cambie la posición de la válvula de control del filtro mientras funciona la bomba del sistema.

**⚠ ADVERTENCIA** - Para reducir el riesgo de lesiones, no permita que los niños usen ni se trepen a este producto. Supervise a los niños muy de cerca en todo momento. Los componentes como el sistema de filtración, las bombas y los calentadores deben estar ubicados de tal manera que los niños no puedan usarlos como medios de acceso a la piscina.



**⚠ ADVERTENCIA - Presión peligrosa.** Los sistemas de circulación de agua en piscinas y spas funcionan con presiones peligrosas en el arranque, en la operación normal y después de apagar la bomba. Guarde su distancia del equipo del sistema de circulación mientras arranca la bomba. Si no sigue estas instrucciones de seguridad y operación, la caja y cubierta de la bomba o la caja y la abrazadera del filtro podrían desprenderse con violencia a causa de la presión en el sistema, lo cual podría causar daños materiales, lesiones graves o la muerte. Antes de dar servicio al sistema de circulación de agua de piscinas y spas, todos los controles del sistema y de la bomba deben estar apagados, y la válvula de alivio manual del filtro debe estar abierta. Antes de arrancar la bomba del sistema, todas las válvulas deben colocarse en una posición tal que permitan que el agua del sistema regrese a la piscina. No cambie la posición de la válvula de control del filtro mientras funciona la bomba del sistema. Antes de arrancar la bomba, abra totalmente la válvula de alivio manual del filtro, y no la cierre sino hasta que salga un chorro uniforme de agua (que no sea aire o aire con agua).



**⚠ ADVERTENCIA - Peligro de separación.** Si no sigue las instrucciones de seguridad y operación, los componentes de la bomba o del filtro podrían separarse con violencia. La cubierta del colador debe estar firmemente afianzada a la caja de la bomba con el anillo de seguridad. Antes de dar servicio al sistema de circulación de piscinas y spas, la válvula de alivio de aire manual de los filtros debe estar en la posición abierta. No haga funcionar el sistema si algún componente del mismo no está bien armado, o si está dañado o falta. No haga funcionar el sistema de circulación de piscinas y spas si el cuerpo de la válvula de alivio de aire manual del filtro no está en la posición de bloqueo en el cuerpo superior del filtro.



**⚠ ADVERTENCIA - Riesgo de descarga eléctrica.** Todo el cableado eléctrico DEBE hacerse de acuerdo con los códigos y reglamentos locales pertinentes y el Código Eléctrico Nacional (NEC). El voltaje peligroso puede causar descargas, quemaduras y ocasionar la muerte o daños materiales graves. Para reducir el riesgo de descarga eléctrica, NO use un cable de extensión para conectar la unidad al suministro eléctrico. Proporcione un tomacorriente eléctrico correctamente ubicado. Antes de efectuar trabajos en un equipo eléctrico, apague el suministro del mismo.

**⚠ ADVERTENCIA -** Para reducir el riesgo de descarga eléctrica reemplace inmediatamente el cableado dañado. Ubique el conducto para evitar que sea dañado por un cortacésped, tijeras cortasetos y otro tipo de equipo.

**⚠ ADVERTENCIA -** Ponga a tierra todo el equipo eléctrico antes de conectarlo al suministro eléctrico, de lo contrario se podría producir un peligro de descarga eléctrica grave o letal.

**⚠ ADVERTENCIA -** NO lo ponga a tierra en una línea de suministro de gas.

**⚠ ADVERTENCIA -** Para evitar una descarga eléctrica peligrosa o letal, APAGUE el suministro antes de trabajar en las conexiones eléctricas.

**⚠ ADVERTENCIA -** Si no conecta el equipo eléctrico a la estructura de la piscina aumentará el riesgo de electrocución, lo cual podría causar lesiones o la muerte.

Para reducir el riesgo de descarga eléctrica, vea las instrucciones de instalación y consulte a un electricista profesional la forma de conectar el equipo eléctrico. Además, comuníquese con un electricista calificado y pídale información sobre los códigos eléctricos locales relacionados con la conexión de equipos.

**Notas para el electricista:** Use un conductor de cobre sólido, calibre 8 o superior. Tienda un alambre continuo desde la orejeta de conexión externa hasta la varilla o malla reforzadora. Conecte un alambre de conexión de cobre sólido núm. 8 AWG (8.4 mm<sup>2</sup>) [núm. 6 AWG (13.3 mm<sup>2</sup>) para Canadá] al conector del alambre a presión que viene en el equipo eléctrico y a todas las partes metálicas de la piscina, spa o bañera, así como a alguna tubería metálica (que no sea para gas), y al conducto a por lo menos 5 pies de las paredes internas de la piscina, spa o bañera.

**IMPORTANTE -** Consulte los códigos NEC para averiguar todas las normas de cableado incluyendo, entre otras, la puesta a tierra, la conexión y demás procedimientos de cableado en general.

**⚠ ADVERTENCIA -** Riesgo de descarga eléctrica. Conecte solamente a un circuito en derivación protegido por un disyuntor diferencial con descarga a tierra (GFCI). Comuníquese con un electricista calificado si no puede verificar si el circuito está protegido por un disyuntor GFCI.

**⚠ ADVERTENCIA -** Riesgo de descarga eléctrica. El equipo eléctrico debe conectarse exclusivamente a un circuito de alimentación que esté protegido por un disyuntor diferencial con descarga a tierra (GFCI). Dicho disyuntor debe proporcionarlo el instalador y debe probarse en forma periódica. Para probar el disyuntor, presione el botón de prueba. El disyuntor debe interrumpir el suministro. Presione el botón de reinicio. Debe restaurarse el suministro. Si el disyuntor GFCI no funciona de esta manera, significa que está defectuoso. Si el GFCI interrumpe el suministro del equipo eléctrico sin que se haya presionado el botón de prueba, hay corriente de puesta a tierra fluyendo, lo cual indica la posibilidad de una descarga eléctrica. No use el equipo eléctrico. Desconéctelo y haga que un representante de servicio calificado lo repare antes de usarlo.

**⚠ PRECAUCIÓN -** Esta bomba está diseñada para usarse en piscinas de instalación permanente y también puede emplearse en bañeras y spas si así se indica. No la use en piscinas almacenables. Una piscina de instalación permanente se construye en o sobre el suelo o en un edificio, de manera que no puede desmontarse para almacenarla. Una piscina almacenable se construye de manera que pueda desmontarse fácilmente a fin de guardarla y volver a montarla íntegramente.

## CONSERVE ESTAS INSTRUCCIONES

### GARANTÍA LIMITADA DE Hayward® Pool Products

Para los compradores originales de este equipo, Hayward Pool Products, Inc. garantiza que sus productos de limpieza estará libre de defectos en materiales y mano de obra durante un periodo de DOS (2) años a partir de la fecha de compra, cuando se utiliza en aplicaciones residenciales unifamiliares.

La garantía limitada excluye los daños por congelamiento, negligencia, instalación incorrecta, uso o cuidado indebido y todo acto de la naturaleza. Las piezas que fallen o que presenten defectos durante el periodo de garantía serán reparadas o reemplazadas, a nuestra opción, dentro de 90 días tras la recepción del producto defectuoso, si no hay retrasos imprevistos, sin cargo alguno.

Se exigirá el comprobante de compra para obtener el servicio de garantía. Si no tiene dicho comprobante, la fecha de fabricación del producto será la única determinación de la fecha de compra.

Para obtener el servicio de garantía, comuníquese con el lugar de compra o el centro de servicio autorizado de Hayward más cercano. Ingrese a [www.hayward.com](http://www.hayward.com) para encontrar asistencia sobre el centro de servicio autorizado de Hayward más cercano.

Hayward no será responsable del costo de transporte, retiro, reparación o instalación ni de ningún otro gasto que se incurra a fin de obtener repuestos o reparaciones en garantía.

La garantía de Hayward Pool Products no rige para los componentes fabricados por terceros. Para dichos productos rige la garantía establecida por el fabricante respectivo.




La garantía limitada expresa antedicha constituye toda la garantía de Hayward Pool Products en relación con sus productos para piscina y reemplaza a todas las demás garantías expresas o implícitas, incluyendo garantías de comercialización o idoneidad para un fin o uso en particular. Hayward Pool Products rechaza toda responsabilidad por daños consecuentes, especiales o incidentales de cualquier naturaleza.

Algunos estados no permiten limitaciones en cuanto a la duración de una garantía implícita, o la exclusión de daños incidentales o consecuentes, de modo que es posible las limitaciones antedichas no sean pertinentes en su caso particular. Esta garantía le otorga derechos legales específicos, y es posible que usted también tenga otros derechos legales que pueden variar de una jurisdicción a otra.




Hayward Pool Products  
620 Division Street  
Elizabeth, NJ 07207

\*Reemplaza a todas las publicaciones anteriores.

## INFORMACIÓN Y SEGURIDAD DEL CONSUMIDOR

 <b>PELIGRO</b>	<b>Riesgo de descarga eléctrica o electrocución</b> El suministro eléctrico de este producto debe instalarse de acuerdo con todos los códigos y ordenanzas locales pertinentes. La instalación incorrecta creará un peligro eléctrico que podría causar la muerte o lesiones graves a los usuarios de la piscina o a otras personas debido a descargas eléctricas, y puede además causar daños materiales.
 <b>ADVERTENCIA</b>	No juegue con el limpiador ni el cable, ni se lo pase por el cuerpo. Puede atrapar el pelo o desgarrar partes del cuerpo. El cable puede provocar tropezos o enredarse con los nadadores y causar el ahogamiento.
 <b>PRECAUCIÓN</b>	Antes de instalar el limpiador, conozca la cobertura de uso del mismo. El limpiador no fue diseñado para limpiar automáticamente escalones ni funcionar por debajo de una cubierta solar. Tampoco fue diseñado para realizar la limpieza inicial de una piscina nueva.

## OPERACIÓN DEL LIMPIADOR

 <b>ADVERTENCIA</b>	Un interruptor de falla de corriente a tierra (GFCI, EE.UU.) debe estar instalado para proteger su toma corriente eléctrica y para evitar cualquier posible descarga eléctrica, de lo contrario creará un peligro eléctrico que podría causar la muerte o lesiones graves a los usuarios de la piscina o a otras personas debido a descargas eléctricas, y puede además causar daños materiales.
 <b>PRECAUCIÓN</b>	<b>NO ENCIENDA</b> el limpiador de piscinas si éste no está sumergido en el agua. Operar el limpiador fuera del agua puede causar daños graves y anulará la garantía. Siempre recuerde <b>APAGAR</b> el suministro eléctrico y desconectar el limpiador antes de retirarlo de la piscina.
 <b>ADVERTENCIA</b>	Según la norma de instalación actual es obligatorio mantener una distancia de seguridad entre el suministro eléctrico y la piscina (mínimo de 11.5 pies o 3.5 metros).



**▲ ADVERTENCIA - ¡LEA ESTOS IMPORTANTES CONSEJOS DE OPERACIÓN ANTES DE USAR LA UNIDAD!**

Estimado propietario del limpiador robótico Hayward:

Gracias por preferir Hayward. Para obtener un rendimiento óptimo, lea y siga estos pasos:

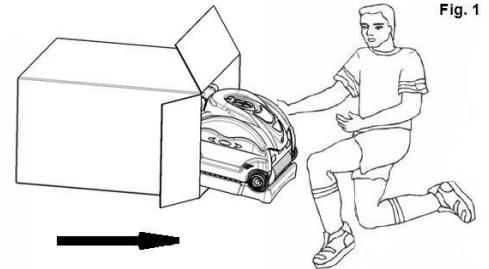
1. Los cartuchos del filtro deben limpiarse completamente después de cada uso o con la frecuencia necesaria para garantizar el rendimiento óptimo del limpiador (en la sección Mantenimiento encontrará las instrucciones de limpieza).
2. Antes de usar el limpiador y especialmente al abrir la piscina por primera vez, retire de la misma los artículos más grandes como juguetes, hojas grandes u otros desechos que puedan reducir el rendimiento del limpiador. Limpie frecuentemente el filtro cuando la piscina esté excesivamente sucia.
3. Para el primer uso, haga funcionar el limpiador durante su ciclo completo (3 horas) para que la piscina quede limpia y usted conozca bien las capacidades de la unidad.
4. El limpiador puede ir periódicamente hacia la pared, pero no necesariamente subir a la posición vertical. Esto es una parte normal del ciclo programado.
5. El limpiador puede detenerse en medio de la piscina y retroceder durante el ciclo de limpieza. Esto es una parte normal del ciclo programado.
6. **NO** encienda el limpiador fuera del agua. El botón de encendido (**On**) solo debe presionarse cuando la unidad esté plenamente sumergida. La unidad se apaga automáticamente, sin embargo es mejor colocar el interruptor en la posición de apagado (**OFF**) cuando la unidad complete la limpieza.
7. Enchufe la unidad solamente en un tomacorriente de 110 a 120 voltios de CA protegido por un disyuntor diferencial con descarga a tierra (GFCI).
8. Coloque el suministro eléctrico del limpiador de modo que quede a una distancia mínima de 11.5 pies (3.5 metros) del borde de la piscina. El largo del cable del limpiador estándar es de 60 pies (18.29 metros).
9. Dependiendo del tamaño y forma de su piscina, toda la longitud del cable flotante puede no ser necesaria. El cable flotante debe llegar de la fuente de energía que el punto más lejano en la piscina, además de la profundidad de la piscina. Para reducir que el cable se enrede, el cable sobrante debe ser enrollado y colocado junto a la fuente de alimentación.

## INSTRUCCIONES DE OPERACIÓN GENERALES

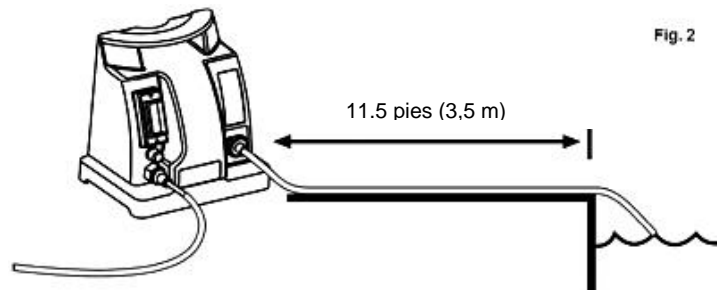
Dedique unos minutos a familiarizarse con el limpiador usando para ello la figura 3. Esta figura se menciona en todo el manual cuando se hace referencia a los distintos componentes del limpiador.

Coloque la caja en el suelo y retire el limpiador tal como se muestra. En los modelos que incluyen un carrito, el limpiador y el suministro eléctrico vienen montados en el mismo.

Vea el carrito en la figura 4.



1. Seleccione el tomacorriente más cercano de 110-120 voltios de CA protegido por disyuntor diferencial con descarga a tierra (GFCI).
2. Coloque el suministro eléctrico del limpiador de modo que quede a una distancia mínima de 11.5 pies (3.5 metros) del borde de la piscina. El largo del cable del limpiador estándar es de 60 pies (18.29 metros).



3. Extienda el cable flotante a lo largo del borde de la piscina para eliminar cualquier retorcimiento que el cable pueda tener y mida la cantidad aproximada de cable de limpieza necesarios para la cobertura de su piscina.
4. Conecte el cable flotante en el suministro eléctrico. Use solamente el suministro eléctrico original fabricado por Hayward.
5. Coloque el limpiador en la piscina. Se hundirá lentamente hasta el fondo a medida que se libere el aire en su interior.
6. Conecte el suministro eléctrico en el tomacorriente protegido y enciéndalo. El limpiador llevará a cabo la rutina de autodiagnóstico antes de iniciar el ciclo de limpieza durante varios minutos.

**⚠ Aviso:** Para reducir el riesgo de lesiones y prevenir daños en el limpiador, la secuencia de arranque del mismo ha sido equipada con un sensor fuera del agua. Si el limpiador detecta que no está en el agua se apagará automáticamente. Para reiniciar el ciclo, apague el suministro eléctrico durante 10 segundos y vuelva a encenderlo.

7. El limpiador se apagará automáticamente tras completar su ciclo completo de tres horas. Si la piscina se limpia en menos de 3 horas, puede apagar manualmente el limpiador colocando el interruptor del suministro eléctrico en la posición de apagado. Si se requiere un segundo ciclo de limpieza, APAGUE el suministro eléctrico durante 10 segundos y vuelva a encenderlo.



8. Tras finalizar la limpieza, APAGUE el suministro eléctrico antes de retirar el limpiador de la piscina.
9. Retire el limpiador del agua en el extremo más bajo de la piscina y jale suavemente el cable hasta que el limpiador llegue a la superficie. **Luego sáquelo del agua usando el mango, NO el cable.**
10. Si el cable del suministro está dañado debe ser reemplazado por el fabricante, un agente de servicio, o personas similarmente calificadas a fin de evitar peligros.
11. Todas las conexiones eléctricas debe llevarlas a cabo un electricista calificado de acuerdo con las normas eléctricas locales (consulte la página 19).

## OPERACIÓN DEL LIMPIADOR USANDO UN TEMPORIZADOR DE POSVENTA

Siga estas instrucciones si va a usar un temporizador de posventa para encender el limpiador:

1. Enchufe el temporizador de posventa en el tomacorriente más cercano de 110 a 120 voltios de CA protegido por un disyuntor diferencial con descarga a tierra (GFCI) y luego enchufe el suministro eléctrico en el temporizador.
2. El limpiador funciona durante un ciclo de 3 horas, por lo tanto fije la duración del temporizador en 3 horas o más. Si fija la duración en menos de 3 horas, el limpiador funcionará solamente por el período que usted haya fijado. Si la fija en más de 3 horas, el limpiador se detendrá automáticamente al concluir el ciclo de 3 horas. Si se requiere un segundo ciclo de limpieza, APAGUE el suministro durante 10 segundos y vuelva a encenderlo.

**⚠ PRECAUCIÓN:** Cuando retire el limpiador de la piscina **NO** lo enrolle alrededor de su brazo. El limpiador es pesado y puede hacer que la persona pierda el equilibrio y caiga a la piscina. Para no caer al agua, enrolle suavemente el cable pasándolo de mano a mano desde el extremo más bajo de la piscina.

**NO INGRESE A LA PISCINA CUANDO EL LIMPIADOR ESTÉ FUNCIONANDO.**

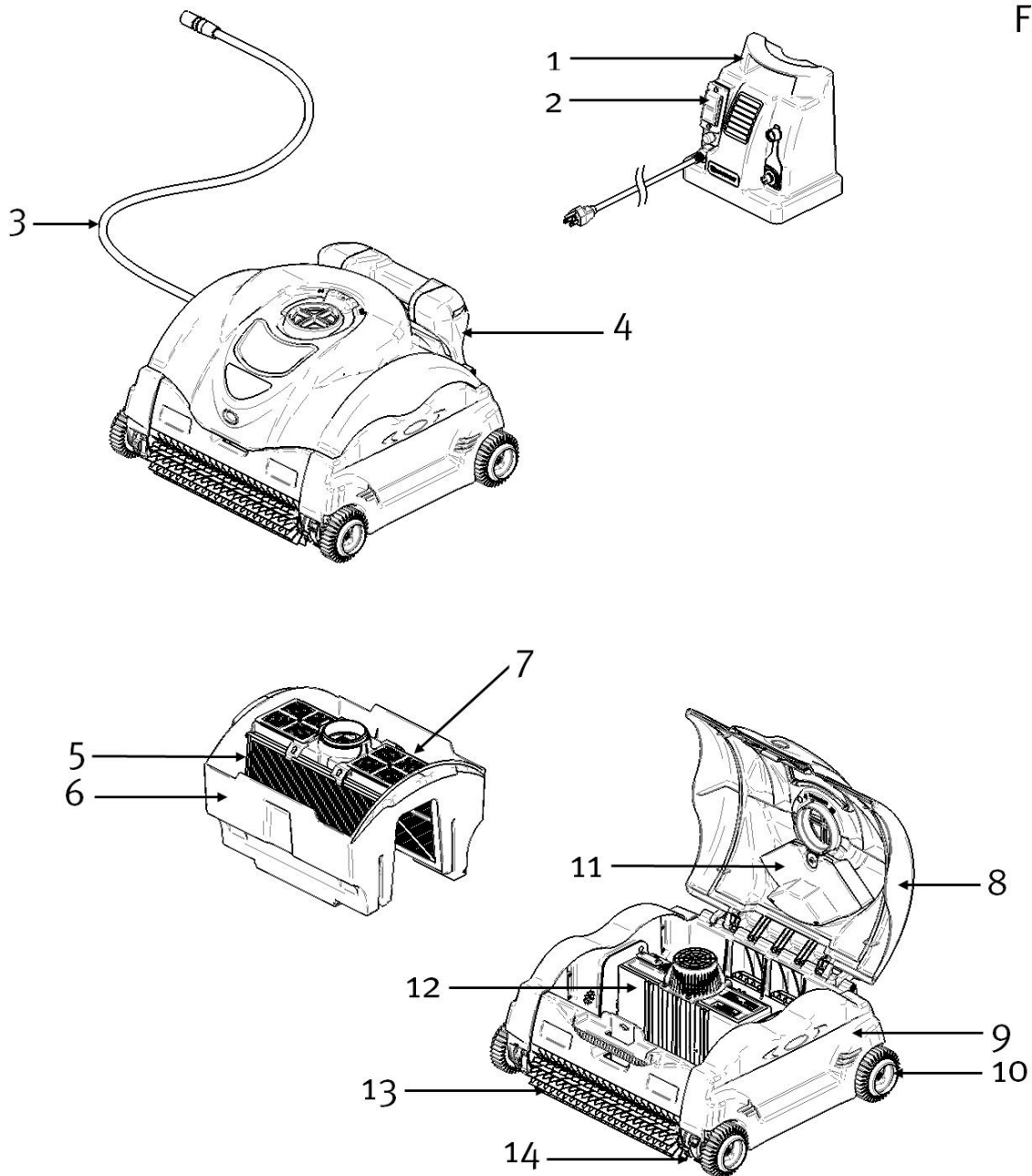
El margen óptimo de temperatura del agua para el funcionamiento del limpiador es de 50 °F a 100 °F (10 °C a 35 °C).

Retire el limpiador de la piscina, vacíe el receptáculo del filtro y limpie los filtros después de cada uso. Si el limpiador se mantiene permanentemente en la piscina, puede que sea necesario realizar tareas de servicio adicionales (en la sección de mantenimiento encontrará las instrucciones de limpieza).

Guarde el limpiador en un área con sombra.



Fig. 3

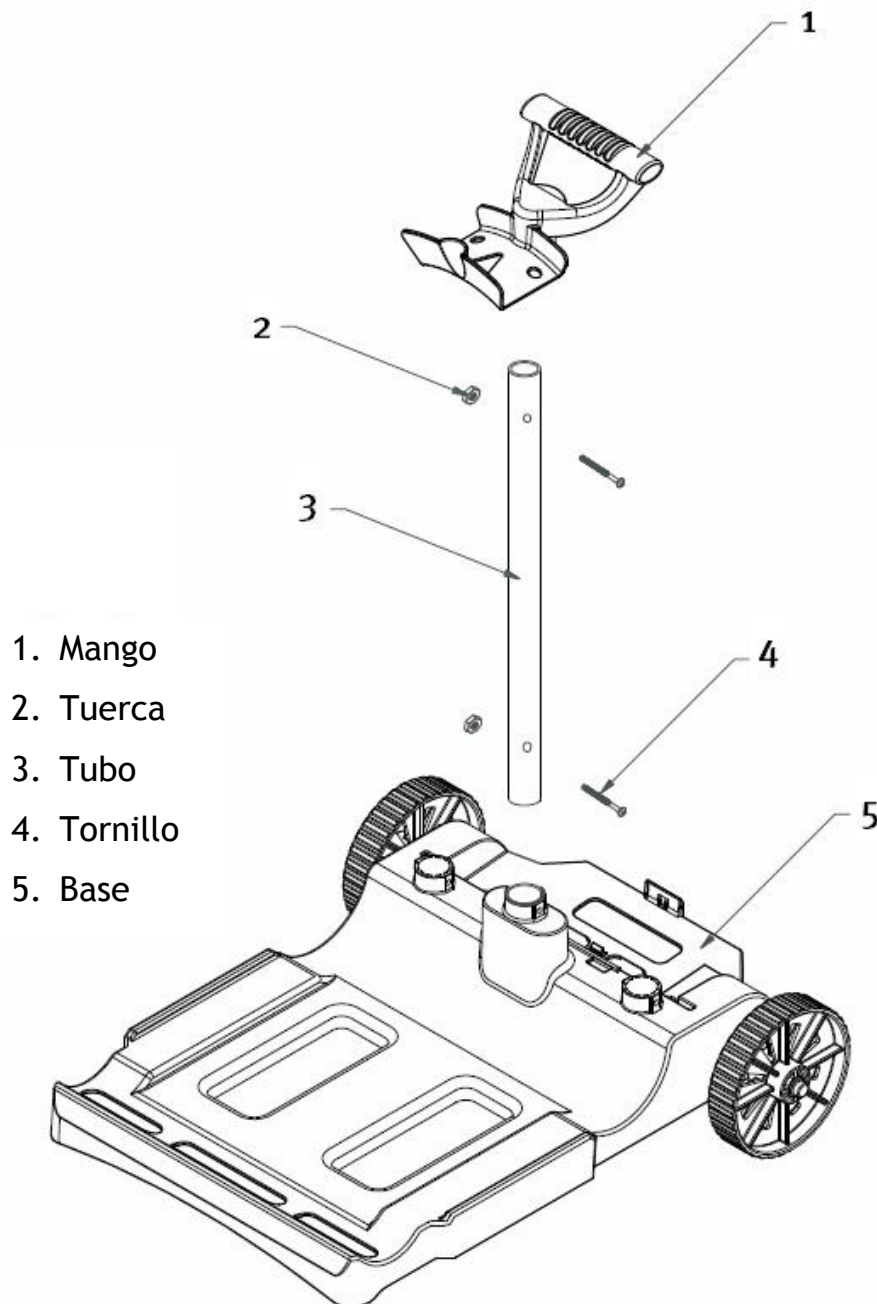


- |                                     |                             |
|-------------------------------------|-----------------------------|
| 1. Suministro eléctrico             | 8. Conjunto de domo         |
| 2. Interruptor de encendido/apagado | 9. Panel lateral            |
| 3. Cable flotante                   | 10. Rueda                   |
| 4. Mango                            | 11. Conjunto del flotador   |
| 5. Cartucho del filtro              | 12. Unidad de motor sellado |
| 6. Receptáculo del filtro           | 13. Tubo y cepillo de rueda |
| 7. Puerta del filtro                | 14. Pista                   |

## INSTRUCCIONES SOBRE EL CARRITO - VEA EL DIAGRAMA

- El carrito viene parcialmente montado en la caja sin el mango y el tubo (1 y 3)
- Inserte el tubo en la base (5) e introduzca el tornillo (4) fijándolo con la tuerca (2)
- Inserte el mango en la parte superior del tubo e introduzca el tornillo (4) fijándolo con la tuerca (2)

Fig. 4



## MANTENIMIENTO

Limpie el cartucho del filtro después de cada uso:

1. Abra el limpiador presionando el botón de la tapa y levante la cubierta del domo.

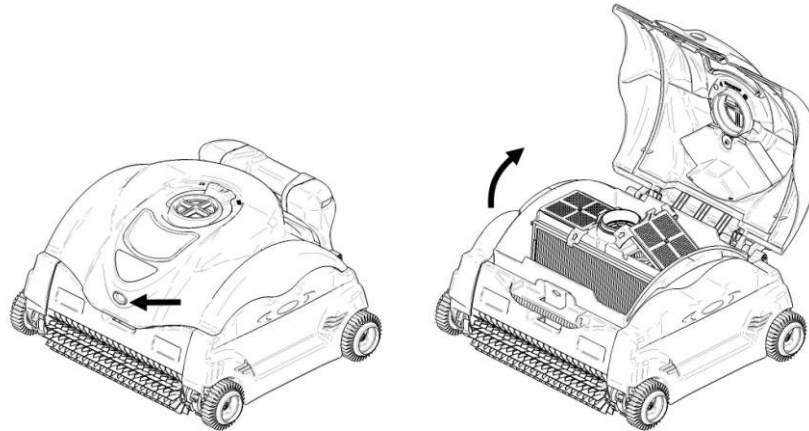


Fig. 5

2. Retire el conjunto del receptáculo del filtro de fácil acceso levantándolo del limpiador con ambas manos, una a cada lado.
3. Invierta el conjunto del receptáculo del filtro para extraer los desechos y luego enjuáguelo con una manguera de jardín a fin de eliminar las partículas pequeñas.
4. No es necesario retirar los cartuchos del filtro para limpiarlos.

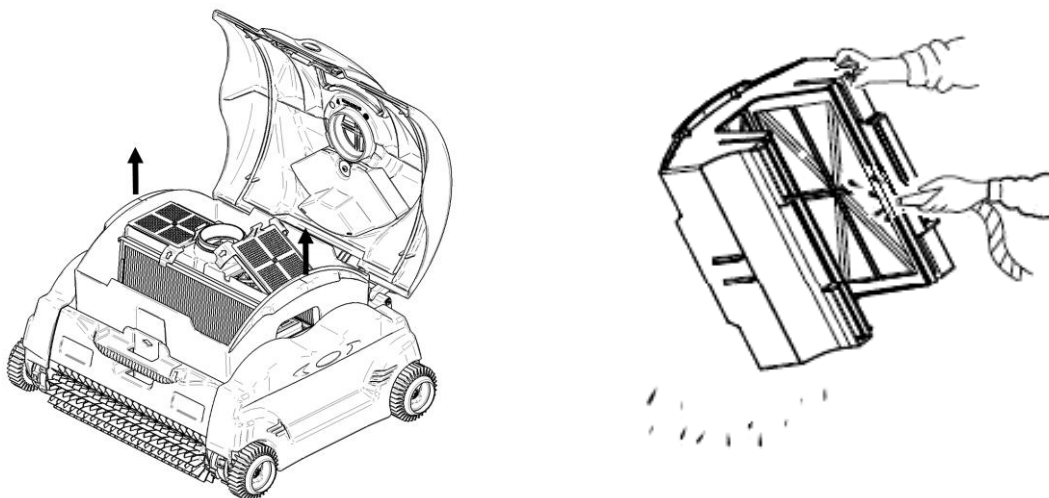


Fig. 6

5. Retire los cartuchos del filtro:

- a. Destrabe ambos pestillos de la puerta del filtro y júelos hacia arriba.
- b. Extraiga los cartuchos del filtro. Use una manguera de jardín con boquilla rociadora y lave los elementos filtrantes a fin de eliminar los desechos. Sostenga los elementos filtrantes tal como se muestra para que los desechos se desprendan. Puede usar una solución limpiadora de filtros a fin de eliminar el exceso de suciedad o arena. Mientras más limpio esté el filtro más eficaz será la limpieza.

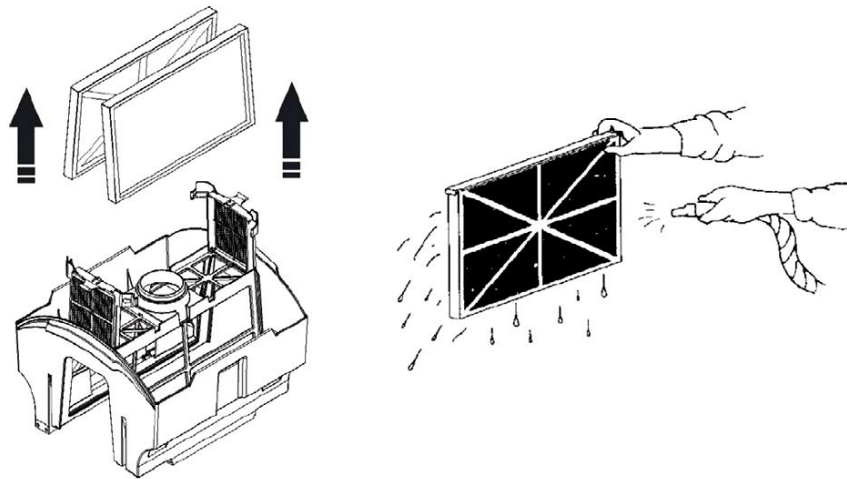


Fig. 7

- c. Lave completamente el conjunto del receptáculo del filtro (mostrado anteriormente).
- d. Vuelva a colocar los cartuchos del filtro en el conjunto del receptáculo del filtro con los refuerzos del bastidor central orientados hacia adentro.

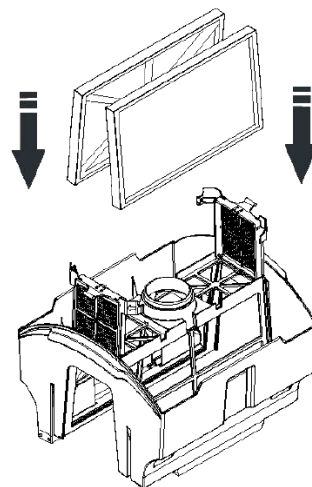
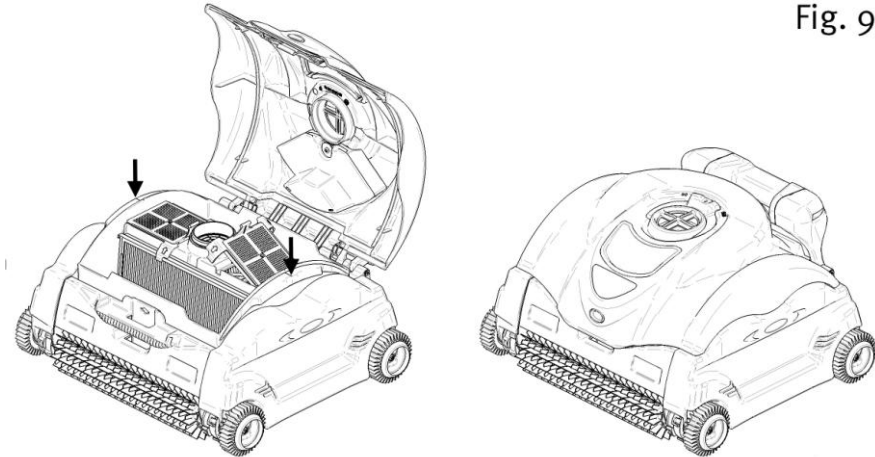


Fig. 8

- e. Trabe los pestillos de la puerta del filtro en su lugar.

6. Vuelva a colocar el conjunto del receptáculo del filtro en el limpiador utilizando el diagrama para determinar la parte delantera y trasera.
7. Cierre el domo y presione el botón de la tapa para trabarlo en su lugar.



## Limpieza periódica de las piezas móviles

**⚠ ADVERTENCIA:** Desconecte el suministro eléctrico del tomacorriente antes de limpiar las piezas móviles.

- Inspeccione el venturi para cerciorarse de que el impulsor no esté obstruido con desechos o pelo.
- El impulsor puede limpiarse rociándolo con una manguera de jardín.
- Rocíe alrededor del conjunto de la caja del flotador con una manguera de jardín a fin de eliminar la arena o los desechos y garantizar el movimiento libre al cambiar la posición de flote.
- Elimine todos los desechos que se hayan acumulado entre las pistas y las ruedas.

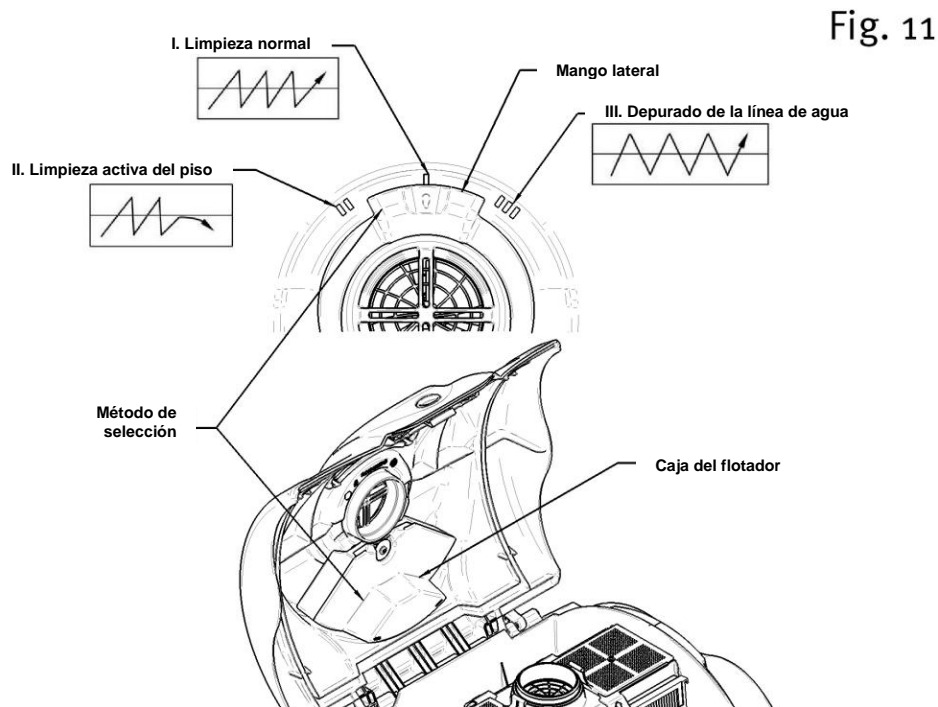
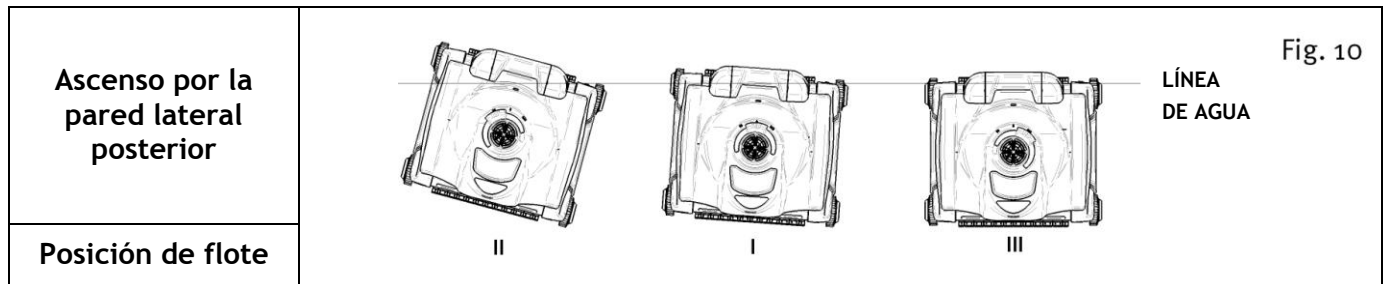
## Almacenamiento

Cuando la unidad esté fuera del agua, guárdela en un lugar seco a la sombra a temperaturas entre 40 °F y 115 °F (4 °C y 46 °C)

## Cuidado del cable

Con el uso continuo el cable puede enroscarse (como ocurre con un cable de teléfono). Para corregir esto, estire periódicamente el cable al sol a fin de eliminar las torsiones.

**IMPORTANTE:** Revise periódicamente el cable por si presenta daños externos.



## FUNCIÓN DE ASCENSO POR LA PARED

- La unidad SharkVac-XL viene equipada con “tecnología de flotación móvil”, cuya patente está pendiente. Cada posición de flote (I, II y III) permite una distinta acción de ascenso por la pared.
- La posición de flote “I” es la posición predeterminada en la cual el flotador se ubica en el medio del limpiador y brinda el mejor desempeño de limpieza para la mayoría de las piscinas.
- La posición de flote “II” proporciona una inclinación adicional en el movimiento, en la cual el limpiador se desplaza más rápido por la línea de agua o la piscina beneficiando su cobertura de limpieza.
- La posición de flote “III” proporciona una menor inclinación en el movimiento, en la cual el limpiador pasa más tiempo depurando la piscina a lo largo de la línea de agua. Esta posición de flote ayuda a la función de ascenso por la pared en piscinas con superficies lisas como de **azulejo y fibra de vidrio**.
- Método de selección: La posición puede fijarse con el mango deslizante mientras la cubierta esté cerrada, o mientras esté abierta moviendo la caja del flotador hasta la posición deseada.



## SENSOR FUERA DEL AGUA

Para proteger mejor el limpiador contra daños, la unidad detecta cuando se le indica que se encienda si no está seguro en el agua o sale del agua durante el funcionamiento.

### Fuera del agua en el arranque

Fuera del agua en el arranque significa que el limpiador ha sido encendido, ya sea porque el usuario conectó el suministro eléctrico en el tomacorriente protegido y lo activó, o bien porque conectó la unidad a un temporizador que enciende el suministro antes de que el limpiador haya sido puesto en el agua. Si el limpiador detecta que no está en el agua, la unidad se apagará automáticamente. Para reiniciar el ciclo, apague el suministro eléctrico durante 10 segundos y vuelva a encenderlo.

### Fuera del agua durante el funcionamiento

Fuera del agua durante el funcionamiento se refiere a que el limpiador sale o es retirado del agua durante el ciclo de operación normal. Si el limpiador detecta que ya no está en el agua, la unidad intentará regresar a ésta invirtiendo su dirección actual. Si no se sumerge dentro de (90) segundos tras salir del agua se apagará automáticamente. Para reiniciar el ciclo, apague el suministro eléctrico durante 10 segundos y vuelva a encenderlo.



## CONSEJOS IMPORTANTES

- No deje caer ni arroje el limpiador a la piscina. Coloque el limpiador lejos de la pared de la piscina, pero sin arrojarlo a la misma.
- Limpie los cartuchos del filtro después de cada uso para maximizar el rendimiento de la unidad.
- Reemplace los cepillos y rodillos de espuma desgastados.
- Para no obstruir los elementos filtrantes, cerciórese de que todos los polvos químicos estén totalmente disueltos antes de hacer funcionar el limpiador.
- En una piscina con alto contenido de calcio, se recomienda limpiar frecuentemente los cartuchos del filtro.
- Conserve la caja de cartón original si debe guardar la unidad por tiempo prolongado o si tiene que enviarla para recibir servicio por parte del concesionario.
- **La unidad de motor sellado y el suministro eléctrico no contienen piezas que puedan ser reparadas por el usuario. Si los abre ANULARÁ automáticamente la garantía.**
- Antes de hacer funcionar la unidad retire de la piscina artículos como termómetros, juguetes y similares. Tales artículos pueden atascar el limpiador y dañar la unidad o la piscina.
- El receptáculo del filtro está diseñado para limpiarse con los filtros instalados durante la limpieza normal. Para realizar una limpieza profunda, retire los cartuchos del filtro y límpielos por separado.
- Durante el ciclo de funcionamiento normal del limpiador, el lado del mango de la unidad sube desde el fondo de la piscina para que la unidad supere los obstáculos como drenajes principales elevados o peldaños.
- Para los limpiadores usados en áreas con bastante arena, puede ser necesario enjuagar el limpiador con agua en todas las áreas de las charnelas (la charnela del receptáculo del filtro está en la toma de entrada), y es posible que se deba enjuagar el botón del domo para que funcione correctamente.

## SOLUCIÓN DE PROBLEMAS

- Si el limpiador no recoge desechos finos o pesados:
  - Puede estar obstruido. Limpie el filtro. Puede usar una solución limpiadora de filtros a fin de eliminar el exceso de suciedad o arena.
- Si el limpiador funciona por un momento y luego deja de hacerlo:
  - Puede que el impulsor esté obstruido o atascado con desechos, revíselo y límpielo si fuera necesario siguiendo las instrucciones en la sección de mantenimiento.
  - Puede que el rodillo de cepillo o las pistas del impulsor estén atascados, revise si hay desechos y límpielos si fuera necesario.
  - El limpiador funciona ya sea mediante el temporizador o el sensor de detección de paredes de la piscina, lo que ocurra primero.
- Hay 3 tomas de entrada situadas en el fondo del receptáculo del filtro y cerca del rodillo de cepillo, revise si hay desechos y límpielas si fuera necesario.
- El limpiador puede quedarse atascado si hay instalado un drenaje principal alto en la piscina. El limpiador puede permanecer alojado en el drenaje durante un período breve, sin embargo se liberará gracias al programa incorporado en el mismo.
- Rendimiento del limpiador: Puede existir confusión con respecto a la forma en que opera el limpiador en momentos distintos durante cada ciclo. Es importante juzgar el rendimiento de la unidad observando la piscina una vez que el limpiador haya realizado un ciclo de limpieza completo.
- Si durante un ciclo el limpiador abarca la piscina en forma deficiente o solo cubre un área pequeña, revise el filtro, límpielo si fuera necesario y cerciórese de que la unidad no quede atrapada en los drenajes, cabezales de limpieza del suelo o en juguetes. El usuario puede intentar arrancar el limpiador desde lugares distintos a fin de hallar el sitio de limpieza óptimo.
- Si caen desechos del limpiador al retirarlo de la piscina, ello puede deberse a que el filtro está sobrecargado, aumente la frecuencia de limpieza del filtro. Cerciórese de que no haya desechos grandes bloqueando las tres entradas. Retire los desechos grandes de la piscina antes de usar la máquina. Si las charnelas del drenaje están fuera de su sitio o están atascadas en posición abierta debido a arena u hojas, vuelva a colocar las charnelas en su lugar tras limpiar el área.
- Si el cable de flotación se tuerce, lo cual puede suceder al atascarse el limpiador en objetos grandes como piedras, juguetes o drenajes principales, se puede enderezar tendiéndolo hasta su extensión máxima (si es posible) al sol; el calor del sol ayuda a reducir la torsión.
- Si por las ventanas del domo se observa un alto nivel de desechos, retire rápidamente el limpiador del agua para impedir que los desechos escapen del receptáculo del filtro y vuelvan a ingresar a la piscina.
- Si observa que el limpiador tarda más de lo previsto en la línea de las paredes/azulejo, vuelva a colocarlo en la posición de flote I (posición central/predeterminada).

Peso (sin cable)	23 lb (10.45 Kg)		
Longitud y tipo de cable	60 pies (18.29 m)		
Materiales	ABS de alto impacto - piezas metálicas de acero inoxidable no ferroso		
Unidad del motor	Bomba	Transmisión	PCB
Velocidad (rpm)	2700	55	-
Voltaje	24 VCC	22 VCC	5 VCC
Corriente (amp)	2.62 A	0.63 A	-
Sello impermeable	Sellos de eje radiales redundantes triples y junta tórica		
Caja del motor	Polipropileno de alto impacto sellado e impermeable		
Protección contra sobrecarga	Control electrónico de sobrecarga con apagado automático		
Filtro			
Tipo	Cartucho con elemento plisado, desmontable y reutilizable		
Medios	Mezcla de celulosa/poliéster plisada		
Control de rutina de limpieza			
Tipo	Microprocesador Adaptive Seek Control Logic (ASCL®)		
Ciclo de limpieza	Ciclo completo		
	3 horas		
Sistema de transmisión	Transmisión directa c/pista de poliuretano y sistema de rodamientos de acero inoxidable/acetal		
Suministro eléctrico			
Voltaje de entrada primario	110 a 120 VCA		
Voltaje de salida secundario	24 VCC		
Corriente nominal de salida	4 A		
Peso	8.3 lb (3.8 kg)		
Despacho			
Dimensiones de la caja de cartón (mm)	Largo	Ancho	Altura
	24 pulg. (620 mm)	17 pulg. (440 mm)	30 pulg. (752 mm)
Peso de despacho con carrito	49 lb (22.3 kg)		
sin carrito	43 lb (19.5 kg)		

## INSTRUCCIONES DE SEGURIDAD IMPORTANTES

Este limpiador robótico de piscinas ha sido fabricado con el más alto grado de atención a los detalles y preocupación por la seguridad. Le sugerimos que las siguientes precauciones formen parte de los reglamentos de seguridad de su piscina:

### CONSERVE ESTAS INSTRUCCIONES

1. SIEMPRE PONGA LA MÁQUINA EN EL AGUA ANTES DE conectarla a un tomacorriente protegido por un disyuntor GFCI.
2. PARA LA SEGURIDAD DE LOS BAÑISTAS ES IMPORTANTE RETIRAR LA UNIDAD INMEDIATAMENTE DESPUÉS DE USARLA. ESTO TAMBIÉN PUEDE PROLONGAR LA VIDA ÚTIL DEL LIMPIADOR.
3. CERCÍOARSE DE ENCHUFAR LA MÁQUINA ÚNICAMENTE en un tomacorriente con puesta a tierra dotado de un disyuntor diferencial con descarga a tierra (GFCI) aprobado y en buen estado.
4. NO MANIPULE LA MÁQUINA MIENTRAS ESTÉ ENCHUFADA AL TOMACORRIENTE.
5. NO USE UN CABLE DE EXTENSIÓN. ESTO PODRÍA CREAR UN PELIGRO DE SEGURIDAD O DAÑAR EL LIMPIADOR.
6. SIEMPRE PERMANEZCA FUERA DE LA PISCINA MIENTRAS EL LIMPIADOR ESTÉ FUNCIONANDO.
7. NUNCA PERMITA QUE EL ENCHUFE SE INTRODUZCA EN LA PISCINA.
8. NO OPERE LA MÁQUINA FUERA DEL AGUA. ESTO DAÑARÁ EL SELLO DEL MOTOR Y ANULARÁ LA GARANTÍA.
9. NO ARRASTRE LA MÁQUINA CONTRA LA PARED LATERAL AL RETIRARLA DE LA PISCINA. ESTO PODRÍA DAÑAR LA UNIDAD O LA PARED DE LA PISCINA.
10. NO ENTIERRE EL CABLE. NO OPERE EL LIMPIADOR CON EL CABLE DAÑADO. REEMPLACE INMEDIATAMENTE LOS CABLES DAÑADOS.

**⚠ ADVERTENCIA - PARA REDUCIR EL RIESGO DE LESIONES; NO PERMITA QUE LOS NIÑOS USEN ESTE PRODUCTO A MENOS QUE ESTÉN SUPERVISADOS MUY DE CERCA EN TODO MOMENTO.**

11. Si el cable del suministro está dañado debe ser reemplazado por el fabricante, un agente de servicio, o personas similarmente calificadas a fin de evitar peligros.

Si bien el limpiador ha sido fabricado para funcionar de la manera más segura posible, le sugerimos que preste una atención razonable durante la aspiración y revise frecuentemente el cable eléctrico por si está dañado o desgastado, tal como lo hace con otros aparatos eléctricos. Después de usarla, saque la unidad y lávela con agua fresca y elimine las torsiones que pueda tener el cable.

## GARANTÍA LIMITADA DE HAYWARD®

Todos los productos HAYWARD están cubiertos contra defectos de material o mano de obra por un período de garantía de 2 años a partir de la fecha de compra. Todo reclamo de garantía debe ir acompañado por el comprobante de compra que indique la fecha de la misma. Por consiguiente le aconsejamos que conserve la factura.

La garantía de HAYWARD se limita a la reparación o el reemplazo, a criterio de HAYWARD, de los productos defectuosos, siempre que hayan estado sujetos a uso normal, hayan cumplido las pautas entregadas en sus guías de uso, y siempre que los productos no hayan sido alterados en modo alguno y se hayan usado exclusivamente con piezas y componentes de HAYWARD. La garantía no cubre daños causados por congelación ni productos químicos. Cualquier otro costo (transporte, mano de obra, etc.) quedan excluidos de la garantía.

En modo alguno HAYWARD será responsable de daños directos o indirectos que resulten de la instalación, conexión u operación incorrectas de un producto.

Comuníquese con su concesionario para obtener información sobre cómo solicitar el servicio de garantía o la reparación o el reemplazo de un artículo.

No se aceptará ningún equipo devuelto a la fábrica sin nuestra aprobación previa por escrito.

**La garantía no cubre las piezas de desgaste normal.**

## EXCEPCIONES Y EXCLUSIONES DE LA GARANTÍA

El limpiador debe usarse con los requisitos eléctricos indicados en el suministro eléctrico. En consecuencia los daños, defectos, desperfectos u otras fallas del limpiador que surjan debido al uso de un suministro eléctrico no indicado quedan exentos y excluidos de esta garantía.

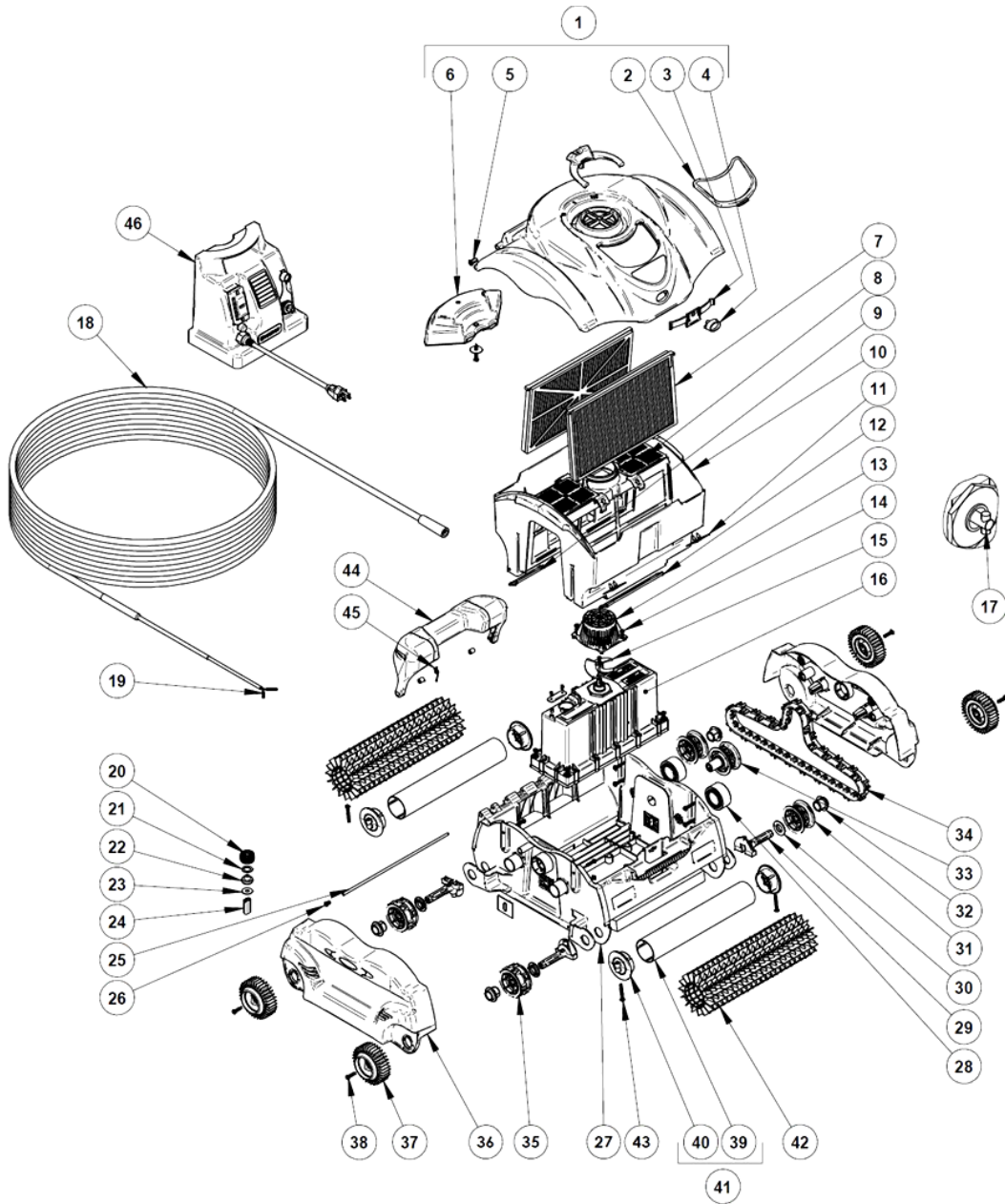
Se excluyen de esta garantía los defectos, desperfectos, fallas o daños del limpiador causados por uso inadecuado, no razonable o negligente o el abuso por parte del consumidor.

Si se realiza cualquier tipo de reparación al limpiador por parte de personal distinto del autorizado (designado para llevar a cabo la tarea) sin haber obtenido primero instrucciones de la fábrica, HAYWARD, a su criterio, puede determinar que la garantía no es válida, por lo que no se reembolsará dicha reparación pues no se cumplieron las instrucciones especificadas por la fábrica.

Los cartuchos del filtro no están cubiertos por la garantía y se reemplazarán solo si usted aprueba previamente los costos.

## NORMA ELÉCTRICA/PAÍS

F	NF EN C 15-100	GB	BS7671:1992
D	DIN VDE 0100-702	EW	EVHS-HD 384-7-702
A	ÖVE 8001-4-702	H	MSZ 2364-702:1994 / MSZ 10-533 1/1990
E	UNE 20460-7-702 1993, REBT ITC-BT-31 2002	M	MSA HD 384-7-702.S2
IRL	Normas de cableado + IS HD 384-7-702	PL	PN-IEC 60364-7-702:1999
I	CEI 64-8/7	CZ	CSN 33 2000 7-702
LUX	384-7.702 S2	SK	STN 33 2000-7-702
NL	NEN 1010-7-702	SLO	SIST HD 384-7-702.S2
P	RSIUEE	TR	TS IEC 60364-7-702



1	RCX97471SB	10	RCX97415	20	RCX59004	30	RCX97435	40	RCX 97441
	RCX97471CY	11	RCX97445	21	RCX12302	31	RCX97439	41	RCX97410BK
2	RCX97472	12	RCX97407	22	RCX97462	32	RCX97437	42	RCX26008
3	RCX97431	13	RCX97455	23	RCX12301	33	RCX97430	43	RCX97461
4	RCX97433	14	RCX12010	24	RCX59002	34	RCX23002G	44	RCX97480SB
5	RCX97423	15	RCX11000	25	RCX97429	35	RCX97440		RCX97480CY
6	RCX97477	16	RCX97490XLN	26	RCX97459	36	RCX97403	45	RCX97427
7	RCX70101	17	RCX40117	27	RCX97401GR	37	RCX97449	46	RCX97453
8	RCX97417	18	RCX50064	28	RCX26000	38	RCX12011		
9	RCX97405	19	RCX59006	29	RCX97443	39	RCX97520BK		



# REGISTRO DEL PRODUCTO

(Consérvelo para sus archivos)

FECHA DE INSTALACIÓN \_\_\_\_\_

▲ Conserve este certificado de garantía (parte superior) en un lugar seguro para sus archivos.

DESPRENDA AQUÍ: Llene completamente la parte de abajo y envíela por correo dentro de 10 días tras la compra/instalación o registro en línea.



## DESNATADOR AUTOMÁTICO DE SUPERFICIE

## Registro tarjeta garantía

Regístrese en línea en [www.hayward.com](http://www.hayward.com)

Escriba con letra imprenta:

Nombre \_\_\_\_\_ Apellido \_\_\_\_\_

Dirección \_\_\_\_\_

Ciudad \_\_\_\_\_ Estado \_\_\_\_\_

Código postal \_\_\_\_\_

Teléfono \_\_\_\_\_ Fecha compra \_\_\_\_\_

Correo electrónico \_\_\_\_\_

Número de serie

--	--	--	--	--	--	--	--	--	--	--	--	--	--	--	--	--	--	--	--

Número de modelo \_\_\_\_\_

Capacidad piscina \_\_\_\_\_ (galones EE. UU.)

Por favor inclúyanme en todas las comunicaciones de correo electrónico relacionadas con equipos o promociones de Hayward®.

Escriba a: Hayward Pool Products, 620 Division Street, Elizabeth, NJ 07207

Attn: Warranty Dept

O REGISTRE SU GARANTÍA EN LÍNEA EN [WWW.HAYWARD.COM](http://WWW.HAYWARD.COM)

Años de servicio de la piscina

< 1 año  1-3  4-5  6-10  11-15  >15

Comprada mediante \_\_\_\_\_

Constructor  Minorista  Servicio de piscinas

Internet/catálogo

Nombre de la empresa \_\_\_\_\_

Dirección \_\_\_\_\_

Ciudad \_\_\_\_\_ Estado \_\_\_\_\_

Código postal \_\_\_\_\_

Teléfono \_\_\_\_\_

Tipo de piscina:

Hormigón/concreto  Vinilo  Fibra de vidrio

Otro \_\_\_\_\_

Instalación nueva  Reemplazo

Instalación para:

Enterrada  Sobre suelo  Spa



Hayward es una marca comercial registrada de Hayward Industries, Inc.

© 2011 Hayward Industries, Inc.

USE SOLAMENTE REPUESTOS GENUINOS DE HAYWARD



