



HEATERS & HEAT PUMPS PARTS

Product Catalog 2020

ETI® 400 HEATER

REPLACEMENT PARTS

Item	Part No.	Description	US List	Can. List	Item	Part No.	Description	US List	Can. List
SYSTEM									
1	475978	Fan Control Board	156.38	187.91	35	475622	Vent Socket	91.98	110.52
2	475984	Membrane Pad	81.29	97.68	36	475623	TitanTough Heat Exchanger	4873.27	5855.72
3	475985	AGS 150 degree F	62.54	75.15	37	475624	Burner	CALL	CALL
4	475987	Air Pressure Switch	90.69	108.97	38	476000	Combustion Blower Replacement Kit	275.98	331.62
5	475996	Wire Harness	368.00	442.19	39	476001	Gas Control Valve Replacement Kit	CALL	CALL
6	475998	Thermal Fuse (white)	78.17	93.93	40	38404-4097S	3/4 in. Union	39.57	47.55
7	475601	Stack Flue Sensor (blue)	68.78	82.65	41	42001-0063S	High Limit Switch	68.78	82.65
8	476081Z	Gas Engine Spark Electrodes	142.47	171.19	42	U178-920P	Drain Plug	3.67	4.41
9	475982	Spark Electrodes Cables	134.49	161.60	43	476002	Manifold	395.63	475.39
10	475980	Condensate Assembly/Float Switch	250.21	300.65	44	476003	Manifold-Enclosure Fasteners	122.64	147.36
11	475615	HX and Chimney Gaskets	625.62	751.74	45	476004	Hold Down Bracket Kit	61.30	73.66
12	475606	Heat Exchanger Screws	78.17	93.93	46	476072	Propane Gas Orifice Kit	125.09	150.31
13	475979	Assembly, Plug 120/240V	62.54	75.15	47	475975	Control Board	187.67	225.50
14	475603	Tridicator	93.82	112.73	48	475976	Ignition Control Module	250.21	300.65
15	475604	Gas and Air orifices (natural gas)	50.03	60.12	49	462023	Flame Sensor	CALL	CALL
16	475973	Heater Gasket Kit	281.50	338.25	50	476059	Burner Assembly	CALL	CALL
17	475971	Air Intake Kit	247.12	296.94	51	476101	Base Door Gas Side	171.71	206.33
18	475608	Gas Side Panel	153.32	184.23	52	476102	Base Door Control Side	171.71	206.33
19	475609	Water Manifold Panel	91.98	110.52	53	476106	Kit Heat Exchanger Union Adapters	275.98	331.62
20	475610	Control Board Panel	171.71	206.33					
21	475611	Latch Assembly	76.64	92.09					
22	475612	Condensate Neutralizer Kit	272.96	327.99					
23	475613	Inlet Plumbing Assembly	521.33	626.43					
24	475614	Outlet Plumbing Assembly	398.66	479.03					
25	475617	Exhaust Assembly	88.91	106.83					
26	42001-0056S	Terminal Board	59.36	71.33					
27	32850-0099	Fireman's Switch Fuse (1.25 amps)	8.31	9.99					
28	42001-0053S	Thermistor, Water Sensor	87.87	105.58					
29	42001-0060S	Water Pressure Switch	90.80	109.11					
30	42001-0107S	Dual Voltage Transformer	75.03	90.16					
31	475618	Pressure Relief Valve	153.32	184.23					
32	475619	Control Cover	30.65	36.83					
33	475620	Vent Cap Exhaust	12.23	14.70					
34	475621	Water Bypass Assembly	39.83	47.86					

CALIFORNIA PROPOSITION 65 WARNING

⚠️ **WARNING:** Cancer and Reproductive Harm.
 ⚠️ **AVERTISSEMENT:** Peut Causer le Cancer et des Dommages au Système Reproducteur.
 ⚠️ **ADVERTENCIA:** Cáncer y Daño Reproductivo.
www.p65warnings.ca.gov

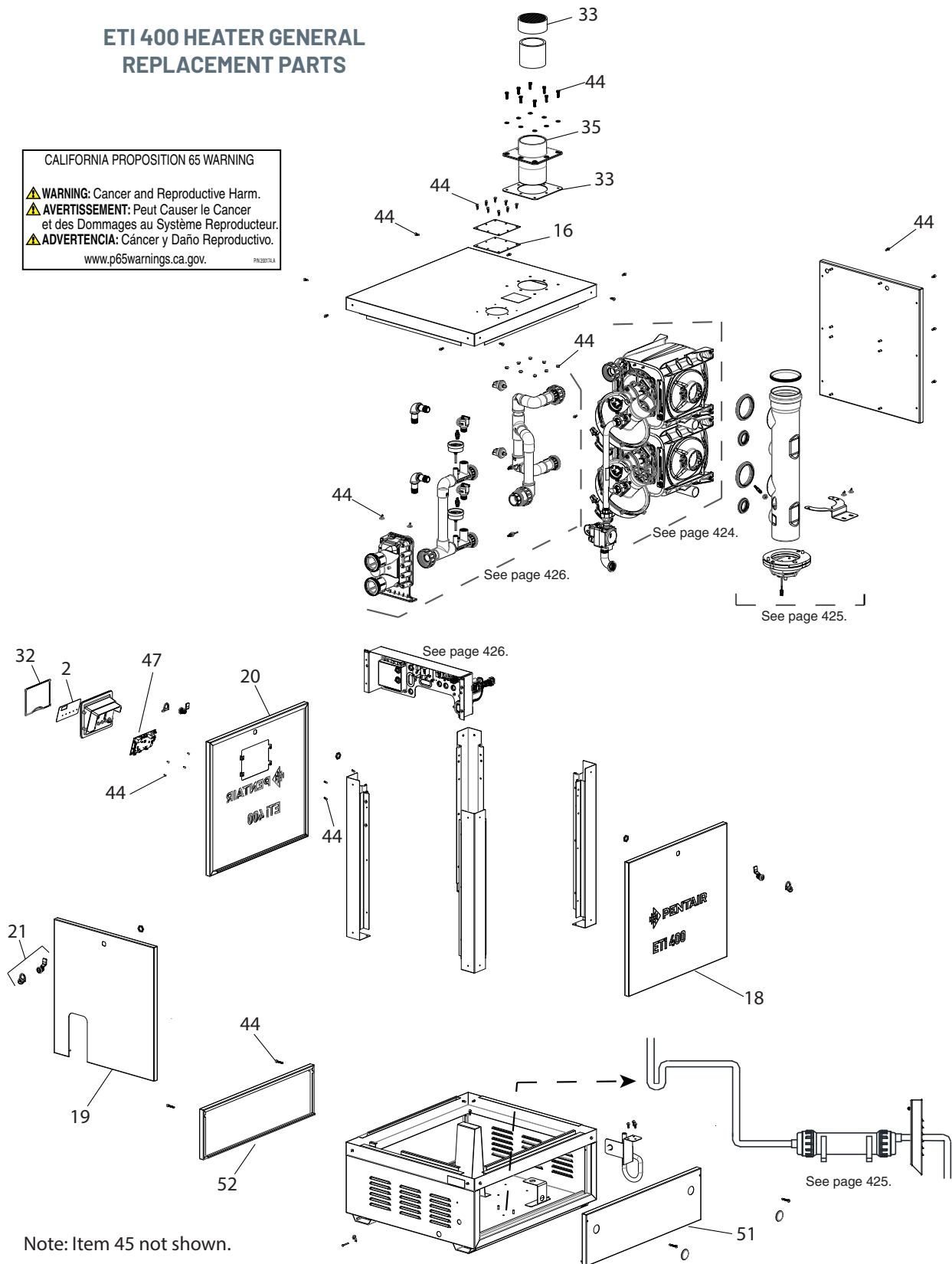
ETI® 400 HEATER (CONT'D)

REPLACEMENT PARTS

ETI 400 HEATER GENERAL REPLACEMENT PARTS

CALIFORNIA PROPOSITION 65 WARNING

⚠ **WARNING:** Cancer and Reproductive Harm.
 ⚠ **AVERTISSEMENT:** Peut Causer le Cancer et des Dommages au Système Reproducteur.
 ⚠ **ADVERTENCIA:** Cáncer y Daño Reproductivo.
www.p65warnings.ca.gov



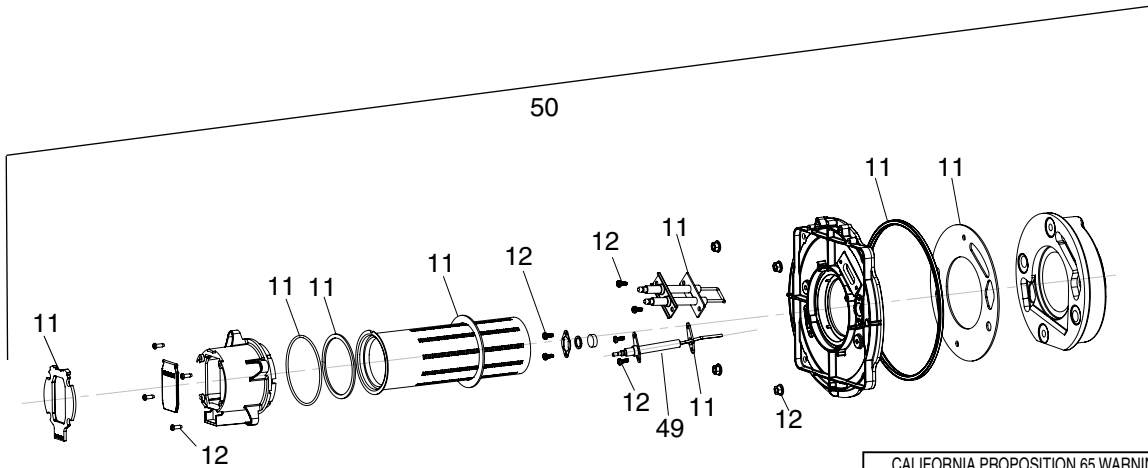
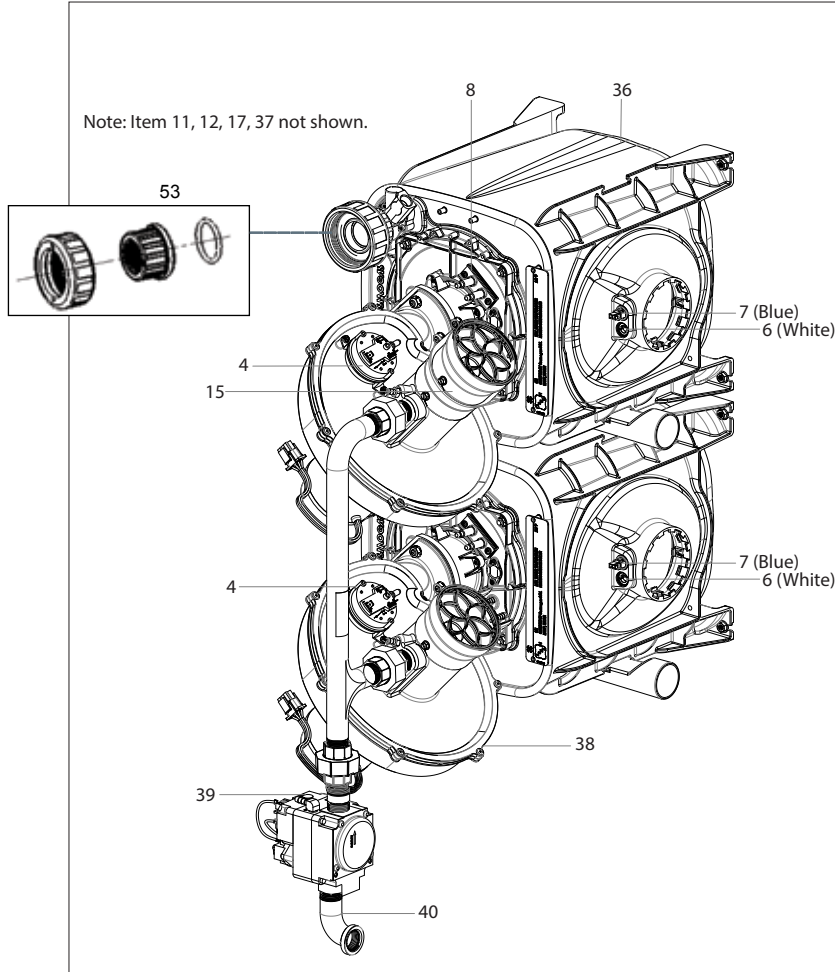
Note: Item 45 not shown.

Product on page 102-103.

ETI® 400 HEATER (CONT'D)

REPLACEMENT PARTS

BURNER SYSTEM REPLACEMENT PARTS



CALIFORNIA PROPOSITION 65 WARNING

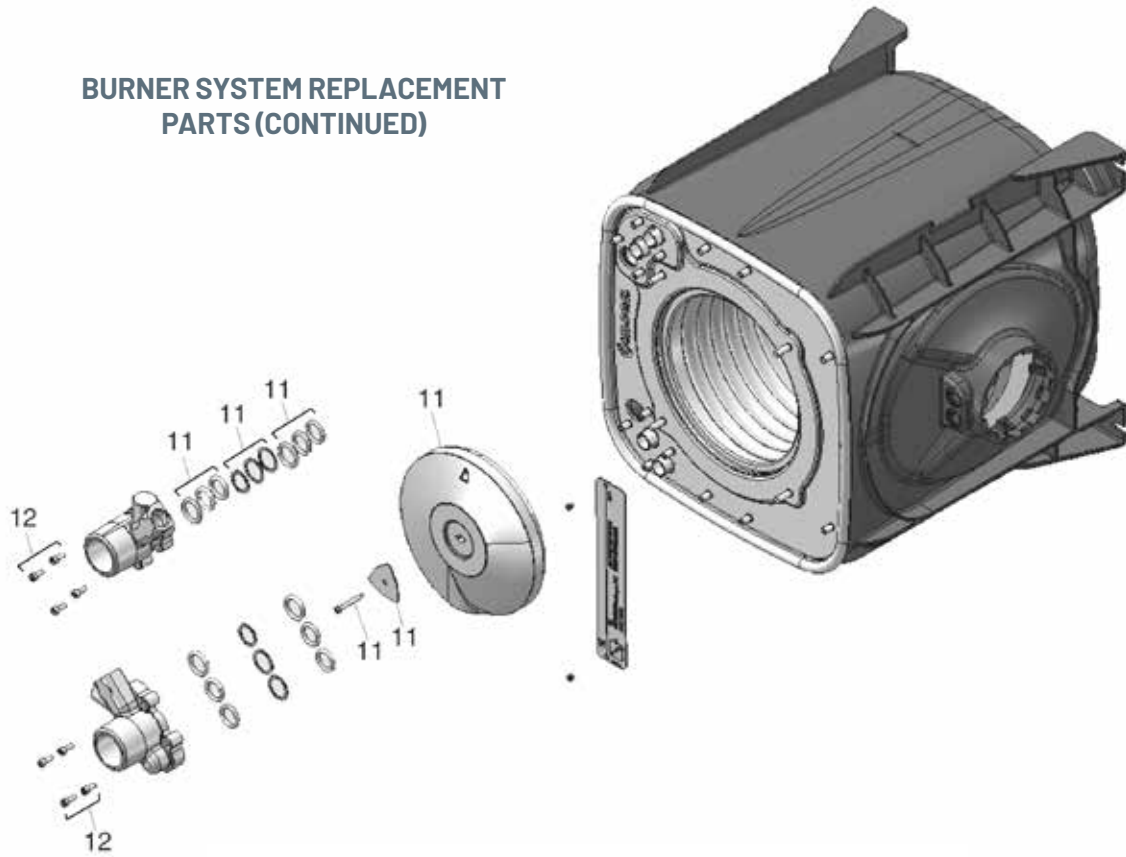
⚠ **WARNING:** Cancer and Reproductive Harm.
 ⚠ **AVERTISSEMENT:** Peut Causer le Cancer et des Dommages au Système Reproducteur.
 ⚠ **ADVERTENCIA:** Cáncer y Daño Reproductivo.

www.p65warnings.ca.gov. PH201714

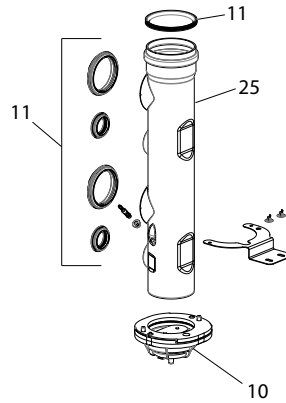
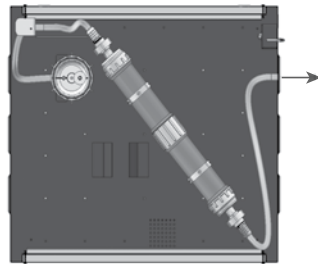
ETI® 400 HEATER (CONT'D)

REPLACEMENT PARTS

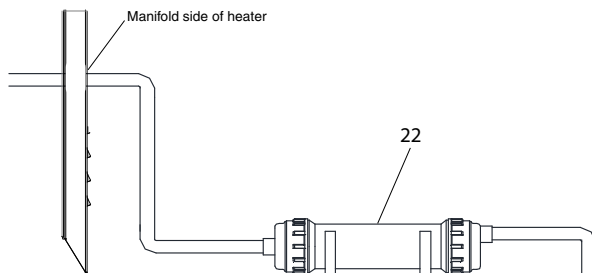
BURNER SYSTEM REPLACEMENT PARTS (CONTINUED)



ETI 400 HEATER CONDENSATE ASSEMBLY REPLACEMENT PARTS



Condensate Neutralizer Cartridge (Optional, P/N 475612 sold separately). The cartridge may be mounted to the base of the heater for an outdoor installation.



Condensate Neutralizer Cartridge (Optional, P/N 475612 sold separately). The cartridge may be mounted external to the heater for an indoor installation.

CALIFORNIA PROPOSITION 65 WARNING

⚠️ **WARNING:** Cancer and Reproductive Harm.
 ⚠️ **AVERTISSEMENT:** Peut Causer le Cancer et des Dommages au Système Reproducteur.
 ⚠️ **ADVERTENCIA:** Cáncer y Daño Reproductivo.

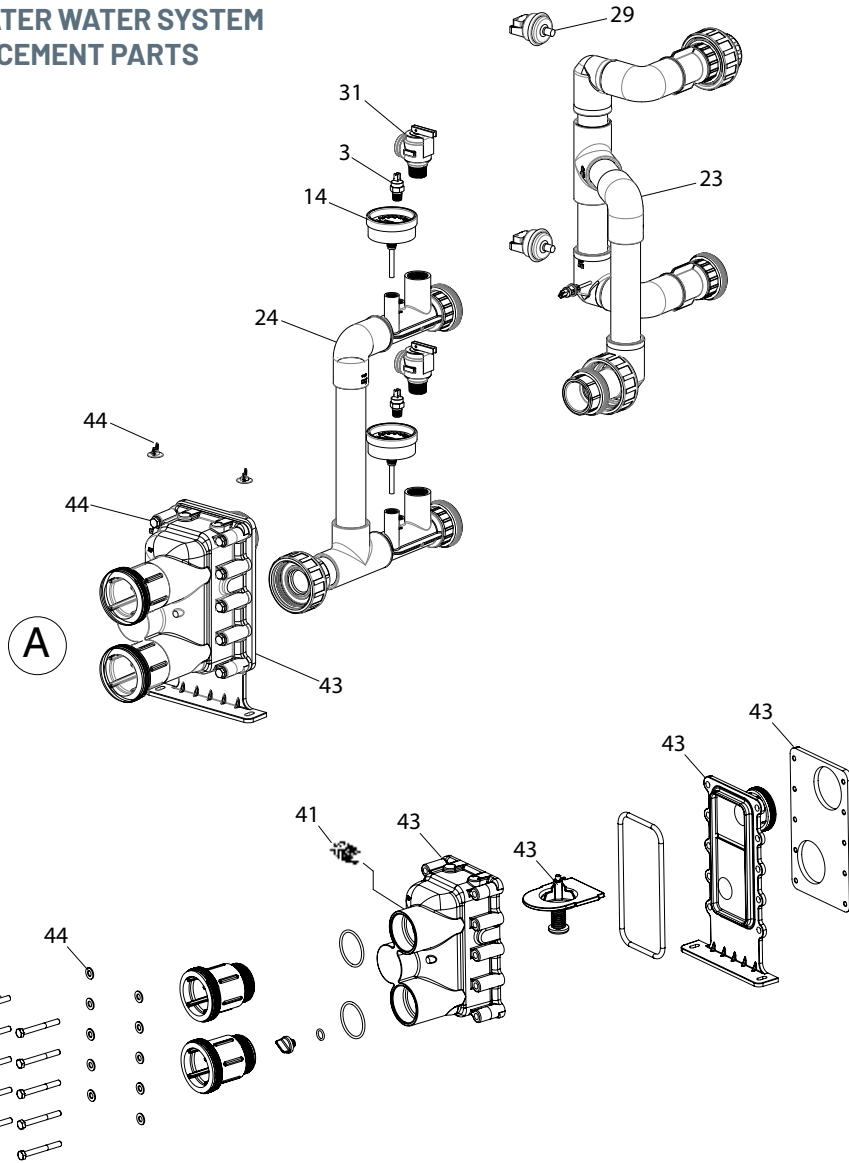
www.p65warnings.ca.gov

P/N 20174-A

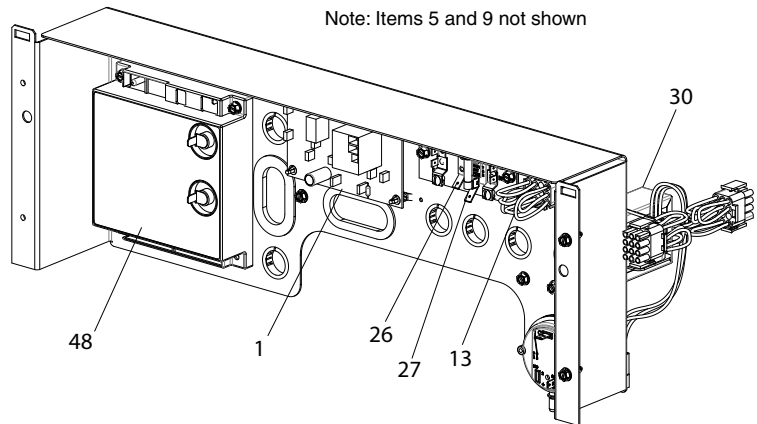
ETI® 400 HEATER (CONT'D)

REPLACEMENT PARTS

ETI 400 HEATER WATER SYSTEM REPLACEMENT PARTS



OPERATOR CONTROL PANEL ASSEMBLY REPLACEMENT PARTS

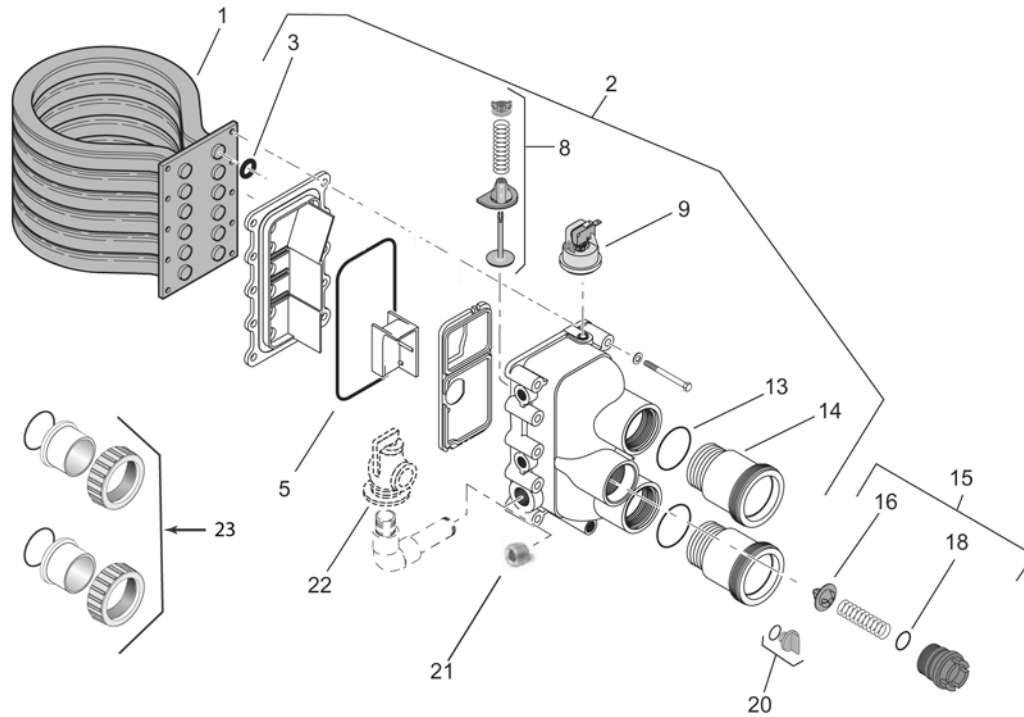


CALIFORNIA PROPOSITION 65 WARNING

⚠ **WARNING:** Cancer and Reproductive Harm.
 ⚠ **AVERTISSEMENT:** Peut Causer le Cancer et des Dommages au Système Reproducteur.
 ⚠ **ADVERTENCIA:** Cáncer y Daño Reproductivo.
www.p65warnings.ca.gov

MASTERTEMP® HEATER

WATER SYSTEM REPLACEMENT PARTS



Item	Part No.	Description	US List	Can. List
WATER SYSTEM				
1	77707-0232	Tube Sheet Coil Assembly Kit (Includes Item No. 3) Models 175NA, 175LP, 200NA, 200LP	962.12	1156.08
1	474058	Tube Sheet Coil Assembly Kit (Includes Item No. 3) Models 175NA, 175LP, 200NA, 200LP ¹	1000.62	1202.34
1	474062	Tube Sheet Coil Assembly Kit (Includes Item No. 3) Model 200HDNA, 200HD-LP	1939.50	2330.50
1	460747	Tube Sheet Coil Assembly Kit (Includes Item No. 3) Models 250NA, 250LP	1193.02	1433.53
1	474059	Tube Sheet Coil Assembly Kit (Includes Item No. 3) Models 250NA, 250LP ¹	1231.53	1479.81
1	77707-0233	Tube Sheet Coil Assembly Kit (Includes Item No. 3) Models 300NA, 300LP	1346.96	1618.51
1	474060	Tube Sheet Coil Assembly Kit (Includes Item No. 3) Models 300NA, 300LP ¹	1385.47	1664.78
1	77707-0234	Tube Sheet Coil Assembly Kit (Includes Item No. 3) Models 400NA, 400LP	1500.90	1803.48
1	474061	Tube Sheet Coil Assembly Kit (Includes Item No. 3) Models 400NA, 400LP ¹	1654.85	1988.47
1	77707-0244	Tube Sheet Coil Assembly Kit (Includes Item No. 3) Models 400HDNA, 400HD-LP	2424.54	2913.33
1	474065	Tube Sheet Coil Assembly Kit (Includes Item No. 3) Models 400HDNA, 400HD-LP ¹	2501.52	3005.83
1	473710	Tube Sheet Coil Assembly Kit - HD Series - (Includes Item No. 3) Models 250HDNA, 250HD-LP	2001.18	2404.62
1	474063	Tube Sheet Coil Assembly Kit - HD Series - (Includes Item No. 3) Models 250HDNA, 250HD-LP ¹	2039.69	2450.89

¹ For Heaters Manufactured after 1/12/09 (New Tub Design).

Note: Kits include: O-Rings, Insulation, Igniter and Blower Gaskets.

CALIFORNIA PROPOSITION 65 WARNING

⚠️ **WARNING:** Cancer and Reproductive Harm.
 ⚠️ **AVERTISSEMENT:** Peut Causer le Cancer et des Dommages au Système Reproducteur.
 ⚠️ **ADVERTENCIA:** Cáncer y Daño Reproductivo.

www.p65warnings.ca.gov. PMS207NA

MASTERTEMP® HEATER (CONT'D)

WATER SYSTEM REPLACEMENT PARTS

Item	Part No.	Description	US List	Can. List
WATER SYSTEM				
2	77707-0014	Manifold Kit (Includes Item Nos. 3–14, 21, and Item Nos. 5–7 in “Electrical System” Models 175NA, 175LP, 200NA, 200LP)	707.03	849.57
2	460748	Manifold Kit (Includes Item Nos. 3–14, 21, and Item Nos. 5–7 in “Electrical System” Models 250NA, 250LP)	657.68	790.27
2	77707-0015	Manifold Kit (Includes Item Nos. 3–14, 21, and Item Nos. 5–7 in “Electrical System” Models 300NA, 300LP)	707.03	849.57
2	77707-0016	Manifold Kit (Includes Item Nos. 3–14, 21, and Item Nos. 5–7 in “Electrical System” Models 400NA, 400LP)	707.03	849.57
2	474200	Basic Manifold Kit (Includes Item Nos. 3, 5, 10–14)	225.58	271.06
3	77707-0117	Coil/Tubesheet Sealing O-Ring Kit - Models 175NA, 175LP, 200NA, 200LP (6)	59.36	71.33
3	460749	Coil/Tubesheet Sealing O-Ring Kit - Models 250NA, 250LP (8)	59.36	71.33
3	77707-0118	Coil/Tubesheet Sealing O-Ring Kit - Models 300NA, 300LP (10)	59.36	71.33
3	77707-0119	Coil/Tubesheet Sealing O-Ring Kit - Models 400NA, 400LP (12)	59.36	71.33
8	77707-0001	Manifold Bypass Valve Kit	62.90	75.58
9	42001-0060S	Water Pressure Switch	90.80	109.11
9	473716Z	Water Pressure Switch (Old Header Design ASME) ⁴	336.87	404.78
13	U9-226Z	O-Ring	CALL	CALL
14	77707-0017	Connector Tube Kit (Includes 1 Connector Tube and 1 O-Ring)	60.33	72.49
15	77707-0010	Thermal Regulator Kit (Incl. Item Nos. 16, 17, 18, 19 and Spring Clip)	114.92	138.09
16	38000-0007S	Thermal Regulator (Includes Spring Clip)	79.17	95.13
18	35505-1313	Thermal Regulator Cap O-Ring	5.06	6.08
20	U178-920P	Drain Plug	3.67	4.41
21	U78-60ZPS	Zinc Plug 428-60 PS	6.99	8.40
22	473715Z	Pressure Relief Valve	173.50	208.48
23	PKG 188Z	2 in. Union Adapter Package (Includes 2)	33.51	40.27
	77707-0120	O-Ring Kit (Incl. Item Nos. 3, 5)	50.57	60.76
ASME KITS				
	472648Z	Bypass Access Plug (ASME)	407.70	489.89
	77707-0001	Mainfold Bypass Valve Kit ASME	62.90	75.58
	474096	Heat Exchanger Kit ³ - 400 ASME	3425.15	4115.66
	474956	Heat Exchanger Kit ⁵ - 400 ASME	3425.15	4115.66
	474953	Heat Exchanger Kit ⁵ - 400 HD ASME	3472.22	4172.22
	474350	Heat Exchanger Kit ³ - 400 ASME HD	3472.22	4172.22
	474097	Heat Exchanger Kit ³ - 250 ASME	3078.80	3699.49
	474954	Heat Exchanger Kit ⁵ - 250 ASME HD	3301.93	3967.60
	474955	Heat Exchanger Kit ⁵ - 250 ASME	3078.80	3699.49
	474349	Heat Exchanger Kit ³ - 250 ASME HD	3301.92	3967.59
	460923	ASME Bypass Valve Kit ⁴ (Old header design)	354.42	425.87
	461007	ASME Bypass Valve Tool Kit ⁴ (Old header design)	214.80	258.10
	460924	Thermal Regulator Kit ⁴ (includes Spring clip, ASME, Old header design)	173.20	208.12

³ For ASME Heaters Manufactured after 3/24/09 (Tub Design w/Clamp Ring).

⁴ For ASME Heaters Manufactured prior to 10/2012 (Old Header Design).

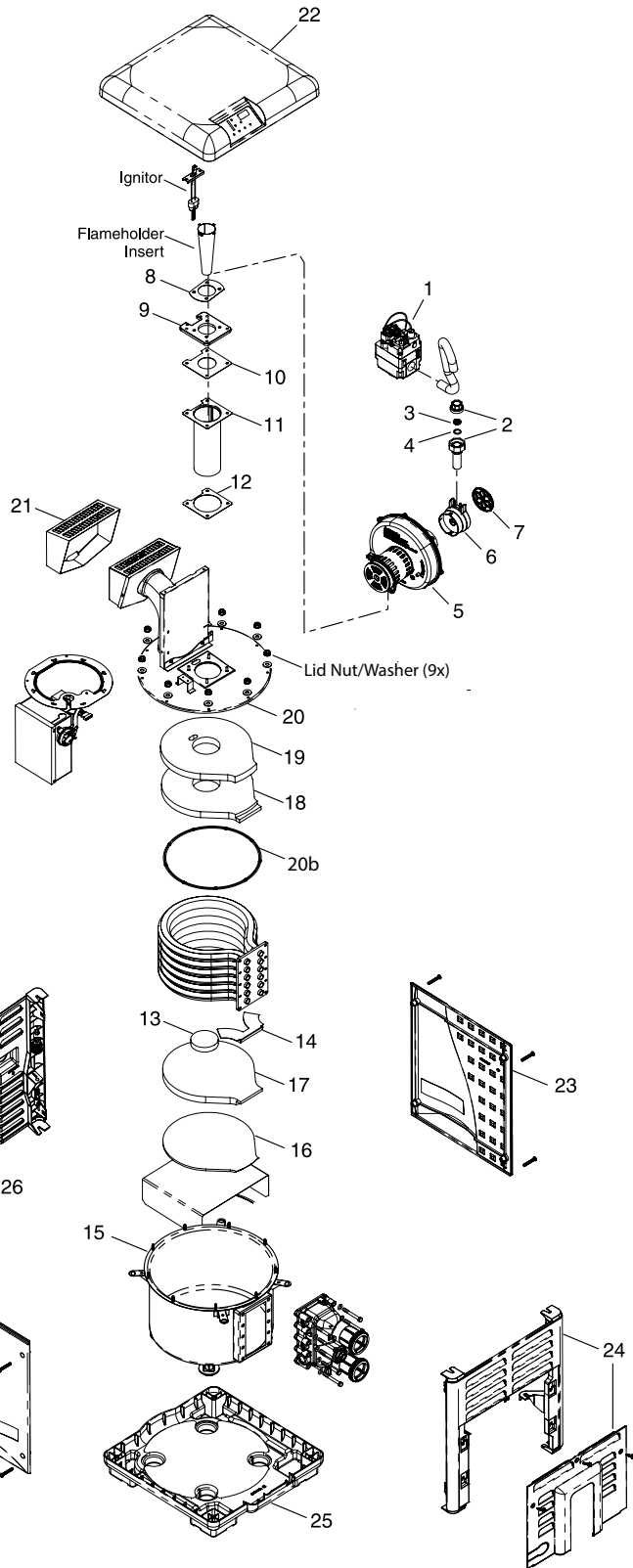
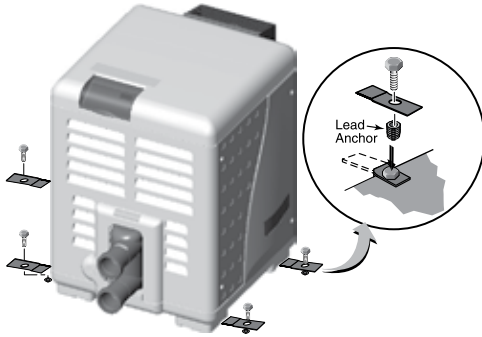
⁵ For ASME Heaters Manufactured after 11/16/13 (New 9-Bolt Tub Design).

Note: Kits (New Tub Design) include: Clamp, O-Ring, Silicone Tube, and Insulation (ASME version only).

MASTERTEMP® HEATER (CONT'D)

BURNER SYSTEM REPLACEMENT PARTS

For Heater mounting bolts and clamps, purchase separately Bolt Down Bracket Kit, Part No. 460738.



CLAMP LID TUB DESIGN

Combustion Chamber Clamp Assy.

20a 20 15

For heaters manufactured between 1/12/2009 and 10/31/2013 (clamp lid tub design)
 Note: Kits also include Clamp Assembly, O-Ring and Silicon Tube

CALIFORNIA PROPOSITION 65 WARNING

⚠ **WARNING:** Cancer and Reproductive Harm.
 ⚠ **AVERTISSEMENT:** Peut Causer le Cancer et des Dommages au Système Reproducteur.
 ⚠ **ADVERTENCIA:** Cáncer y Daño Reproductivo.
www.p65warnings.ca.gov PHS 2011-14

MASTERTEMP® HEATER (CONT'D)

BURNER SYSTEM REPLACEMENT PARTS

Item	Part No.	Description	US List	Can. List	Qty.
BURNER SYSTEM					
1	42001-0051S	Combination Gas Control Valve Kit	482.37	579.62	1
2	38404-4097S	3/4 in. Union	39.57	47.55	2
5	77707-0250	Air Blower Kit – Natural Gas Units (Models 175NA)	912.03	1095.90	1
5	77707-0251	Air Blower Kit - Natural Gas Units (Models 200NA)	912.04	1095.91	1
5	460743	Air Blower Kit - Natural Gas Units (Models 250NA)	848.44	1019.49	1
5	460757	Air Blower Kit - Natural Gas Units (Models 300NA)	848.42	1019.46	1
5	77707-0253	Air Blower Kit - Natural Gas Units (Models 400NA)	912.04	1095.91	1
5	77707-0254	Air Blower Kit - Propane Units (Models 175LP, 200LP)	912.04	1095.91	1
5	460744	Air Blower Kit - Propane Units (Models 250LP)	848.42	1019.46	1
5	460758	Air Blower Kit - Propane Units (Models 300LP)	848.42	1019.46	1
5	77707-0256	Air Blower Kit - Propane Units (Models 400LP)	912.04	1095.91	1
6	See Item #7	Item #6 included in Item #7	CALL	CALL	
7	460798	Air Orifice Kit - Model 175 (Includes Item Nos. 6 and 7)	47.49	57.06	1
7	77707-0111	Air Orifice Kit - Model 200 (Includes Item Nos. 6 and 7)	72.63	87.27	1
7	460745	Air Orifice Kit - Model 250 (Includes Item Nos. 6 and 7)	67.54	81.16	1
7	460759	Air Orifice Kit - Model 300 (Includes Item Nos. 6 and 7)	67.54	81.16	1
7	77707-0113	Air Orifice Kit - Model 400 (Includes Item Nos. 6 and 7)	72.63	87.27	1
15	474095	One Piece Metal Chamber/Combustion Chamber Assembly ¹	752.05	903.66	1
15	474957	One Piece Metal Chamber/Combustion Chamber Assembly ²	468.07	562.43	1
20	474094	One Piece Metal Elbow/Combustion Chamber Cover Assembly ¹	851.00	1022.56	1
20	474958	One Piece Metal Elbow/Combustion Chamber Cover Assembly ²	532.89	640.32	1
20a	474201	Tub O-Ring Kit ¹	53.52	64.31	1
20b	474952	Tub O-Ring Kit ²	50.12	60.22	1
21	42002-0005S	Metal Vent Cover	145.18	174.45	1
22	42002-0034Z	Heater Top	387.30	465.38	1
23	42002-0039Z	Side Panel (Service Panel) with 4 clips and 4 screws	378.82	455.19	1
24	42002-0033Z	Side Panel (Manifold)	378.80	455.17	1
25	42002-0031Z	Heater Bottom	178.11	214.02	1
26	42002-0032Z	Side Panel (Flue Stack)	286.30	344.02	1
27	42002-0041Z	J Box Cover	19.79	23.78	1
28	474292	11 ea screws, 11 ea clips and 8 wing-nuts	24.72	29.70	
NOT SHOWN					
	461002	Gas Orifice Kit - NG, Model 175 (Incl. Item Nos. 3 and 4) *	60.39	72.56	1
	77707-0431	Gas Orifice Kit - NG, Model 200 (Incl. Item Nos. 3 and 4) *	60.39	72.56	1
	460739	Gas Orifice Kit - NG, Model 250 (Incl. Item Nos. 3 and 4) *	56.16	67.48	1
	460753	Gas Orifice Kit - NG, Model 300 (Incl. Item Nos. 3 and 4) ¹	56.16	67.48	1
	77707-0411	Gas Orifice Kit - NG, Model 400 (Incl. Item Nos. 3 and 4) *	60.39	72.56	1
	460797	Gas Orifice Kit – Propane, Model 175 (Incl. Item Nos. 3 and 4) *	90.29	108.49	1

Item	Part No.	Description	US List	Can. List	Qty.
	77707-0461	Gas Orifice Kit – Propane, Model 200 (Incl. Item Nos. 3 and 4) *	60.39	72.56	1
	460740	Gas Orifice Kit – Propane, Model 250 (Incl. Item Nos. 3 and 4) *	56.16	67.48	1
	460754	Gas Orifice Kit – Propane, Model 300 (Incl. Item Nos. 3 and 4) *	56.16	67.48	1
	77707-0441	Gas Orifice Kit – Propane, Model 400 (Incl. Item Nos. 3 and 4) *	60.39	72.56	1
	460794	NG to Propane Conversion Kit Model 175 (Incl. Item Nos. 3 and 4) *	83.52	100.36	1
	77707-1461	NG to Propane Conversion Kit Model 200 (Incl. Item Nos. 3 and 4) *	62.43	75.02	1
	460741	NG to Propane Conversion Kit Model 250 (Incl. Item Nos. 3 and 4) *	58.07	69.78	1
	460755	NG to Propane Conversion Kit Model 300 (Incl. Item Nos. 3 and 4) *	58.07	69.78	1
	77707-1441	NG to Propane Conversion Kit Model 400 (Incl. Item Nos. 3 and 4) *	62.43	75.02	1
	460795	Propane to NG Conversion Kit Model 175 (Incl. Key Nos. 3 and 4) *	83.52	100.36	1
	77707-1431	Propane to NG Conversion Kit Model 200 (Incl. Key Nos. 3 and 4) *	62.43	75.02	1
	460742	Propane to NG Conversion Kit Model 250 (Incl. Key Nos. 3 and 4) *	58.07	69.78	1
	460756	Propane to NG Conversion Kit Model 300 (Incl. Key Nos. 3 and 4) *	58.07	69.78	1
	77707-1411	Propane to NG Conversion Kit Model 400 (Incl. Key Nos. 3 and 4) *	62.43	75.02	1
	77707-0011	Blower/Adapter Plate Gasket Kit (Includes Item Nos. 8, 9, 10, 12)	71.54	85.96	1
	77707-0202	Flameholder Kit - Model 175, Model 200 (Includes Item Nos. 10, 11, 12 & 13)	169.98	204.25	1
	460746	Flameholder Kit - Model 250 (Includes Item Nos. 10, 11, 12 & 13 and Flameholder insert)	158.11	189.98	1
	77707-0203	Flameholder Kit - Model 300 (Includes Item Nos. 10, 11, 12, 13 & Flameholder Insert)	191.23	229.78	1
	77707-0204	Flameholder Kit - Model 400 (Includes Item Nos. 10, 11, 12, 13 & Flameholder Insert)	223.09	268.06	1
	77707-0008	Insulation Kit (Includes Item Nos. 13, 14, 16, 17, 18, 19)	173.20	208.12	1
	42001-0074S	Lower Enclosure Insulation	60.83	73.09	1
	42001-0214S	Metal Vent Cover Assembly	CALL	CALL	1
	461063	Kit Gas Conversion NA to LP - MT125	CALL	CALL	1

* Not included with heater. Order separately.

¹ For Heaters Manufactured Between 1/12/09 and 10/31/13 (Clamp lid tub design).

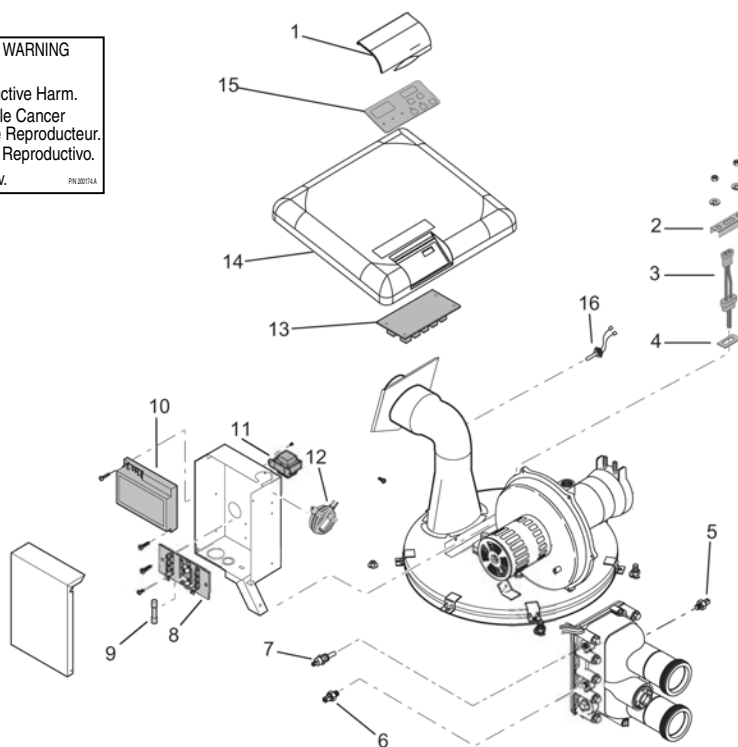
² For Heaters Manufactured After 11/16/13 (New 9-bolt lid tub design).

Note: Kits include Clamp Assembly, O-Ring, and Silicone Tube.

MASTERTEMP® HEATER (CONT'D)

ELECTRICAL SYSTEM REPLACEMENT PARTS

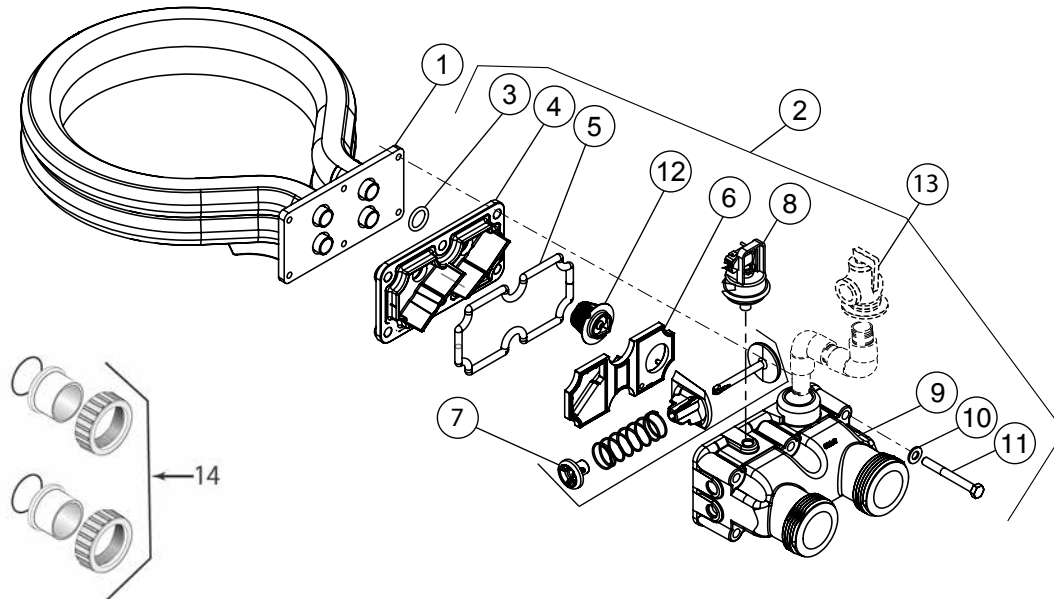
CALIFORNIA PROPOSITION 65 WARNING
 ⚠️ **WARNING:** Cancer and Reproductive Harm.
 ⚠️ **AVERTISSEMENT:** Peut Causer le Cancer et des Dommages au Système Reproducteur.
 ⚠️ **ADVERTENCIA:** Cáncer y Daño Reproductivo.
www.p65warnings.ca.gov PR 201714



Item	Part No.	Description	US List	Can. List
ELECTRICAL SYSTEM				
1	42002-0035Z	Heater Display Cover	59.36	71.33
2	42001-0030S	Igniter Bracket	59.36	71.33
3	77707-0054	Igniter/Igniter Gasket Kit, Incl. Item Nos. 3 and 4)	92.00	110.55
4	42001-0066S	Igniter Gasket	59.36	71.33
5	42002-0025S	Automatic Gas Shutoff Switch (AGS)	56.57	67.97
6	42001-0063S	High Limit Switch	68.78	82.65
7	42001-0053S	Thermistor	87.87	105.58
8	42001-0056S	Terminal Board	59.36	71.33
9	32850-0099	Fireman's Switch Fuse (1.25A, 1-1/4 in.)	8.31	9.99
10	42001-0052S	Ignition Control Module	368.88	443.25
11	42001-0107S	Transformer, 115/230V	75.03	90.16
12	42001-0061S	Air Flow Switch	152.13	182.80
13	42002-0007S	Control Board Kit (NA, LP Series)	698.39	839.19
14	42002-0034Z	Heater, Top	387.30	465.38
15	472610Z	Membrane Pad (NA, LP Series)	152.42	183.15
16	42002-0024S	Stack Flue Sensor	132.21	158.86
NOT SHOWN				
	42001-0104S	Heater Wiring Harness -115/230V	366.05	439.85
	42001-0105S	120/240 Volt Plug Kit	59.36	71.33

MASTERTEMP® 125 HEATER

WATER SYSTEM REPLACEMENT PARTS



Item	Part No.	Description	US List	Can. List
WATER SYSTEM				
1	474971	Tube Sheet Coil Assembly Kit - Includes Item #3. (NA, LP Series)	999.75	1201.30
2	474972	Manifold Kit (Includes Item #3, #4, #5, #6, #7, #9, #10, & #11; Item #8 and #13 not included)	334.32	401.72
3	474973	Coil/Tubesheet Sealing O-Ring Kit	46.77	56.20
4	474405	Manifold Bottom Plate	CALL	CALL
5	474406	Manifold O-Ring	CALL	CALL
6	474407	Manifold Baffle Plate	CALL	CALL
7	474972	Manifold Bypass Valve	334.32	401.72
8	42001-0060S	Water Pressure Switch	90.80	109.11
9		Manifold *		
10		5/16" Washer, S.S. *		
11		5/16 x 18 x 2-3/4" Hex Cap Screw *		
12	474989	Thermal Regulator	66.85	80.33
13	473715Z	Pressure Relief Valve (Recommended-Purchased Separately)	173.50	208.48
14	474974	Union 1-1/2" Kit	76.88	92.38

Note: Kits include: O-Rings, Insulation, Igniter and Blower Gaskets.

* Not available separately. See item #2.

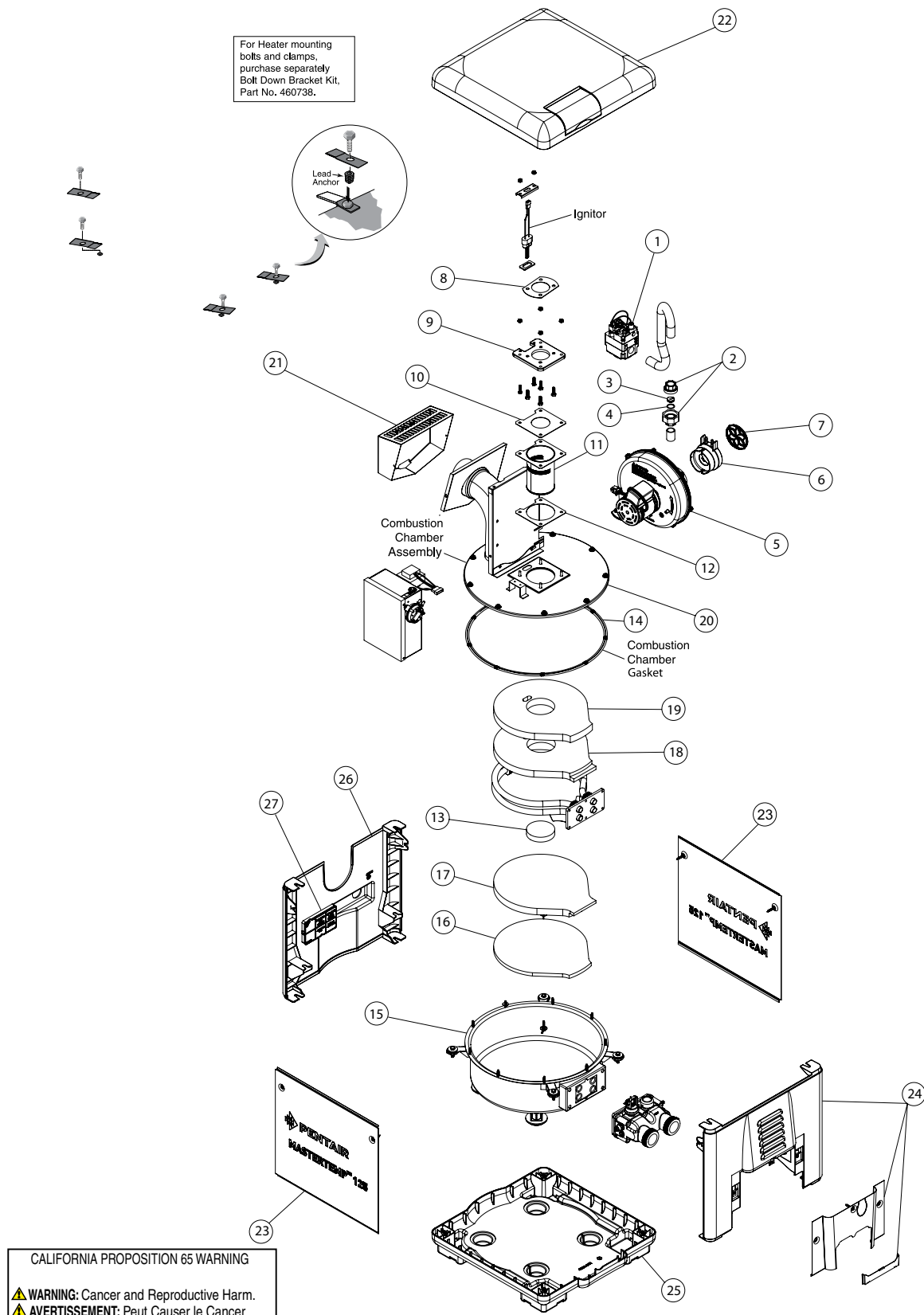
CALIFORNIA PROPOSITION 65 WARNING

⚠ **WARNING:** Cancer and Reproductive Harm.
 ⚠ **AVERTISSEMENT:** Peut Causer le Cancer et des Dommages au Système Reproducteur.
 ⚠ **ADVERTENCIA:** Cáncer y Daño Reproductivo.

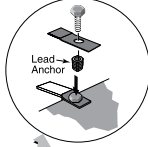
www.p65warnings.ca.gov. PH20171A

MASTERTEMP® 125 HEATER (CONT'D)

BURNER SYSTEM REPLACEMENT PARTS



For Heater mounting bolts and clamps, purchase separately Bolt Down Bracket Kit, Part No. 460738.



CALIFORNIA PROPOSITION 65 WARNING
 ⚠️ **WARNING:** Cancer and Reproductive Harm.
 ⚠️ **AVERTISSEMENT:** Peut Causer le Cancer et des Dommages au Système Reproducteur.
 ⚠️ **ADVERTENCIA:** Cáncer y Daño Reproductivo.
www.p65warnings.ca.gov

Product on page 106–107.

MASTERTEMP® 125 HEATER (CONT'D)

BURNER SYSTEM REPLACEMENT PARTS




Item	Part No.	Description	US List	Can. List	Qty.
BURNER SYSTEM					
1	42001-0051S	Combination Gas Control Valve Kit	482.37	579.62	1
2	38404-4097S	3/4 in. Union	39.57	47.55	2
5	474978	Air Blower Kit – Natural Gas	835.91	1004.43	1
5	474977	Air Blower Kit - Propane	835.91	1004.43	1
6	474979	Air Orifice Kit (Incl. Item Nos. 6, 7)	47.50	57.08	1
14	474952	Combustion Chamber Gasket Kit	50.12	60.22	1
15	474990	One Piece Metal Chamber/Combustion Chamber Assembly	434.68	522.31	1
20	474958	One Piece Metal Elbow/Combustion Chamber Cover Assembly, 9-Bolt	532.89	640.32	1
21	42002-0005S	Metal Vent Cover	145.18	174.45	1
22	42002-0034Z	Heater Top	387.30	465.38	1
23	474991	Side Panel (Service Panel)	133.71	160.67	1
24	474992	Side Panel (Manifold)	190.56	228.98	1
25	42002-0031Z	Heater Bottom	178.11	214.02	1
26	474993	Side Panel (Flue Stack)	157.11	188.78	1
27	42002-0041Z	J Box Cover	19.79	23.78	1
28	474292	11 ea clips, 11 ea screws, 8 wing nuts	24.72	29.70	1

Item	Part No.	Description	US List	Can. List	Qty.
NOT SHOWN					
	474981	Gas Orifice Kit - NG (Incl. Item Nos. 3 and 4) **	50.12	60.22	1
	474980	Gas Orifice Kit - Propane (Incl. Item Nos. 3 and 4) **	50.12	60.22	1
	461063	NG to Propane Conversion Kit (Incl. Item Nos. 3 and 4) **	CALL	CALL	1
	461062	Gas Orifice Kit - Propane to NG Conversion Kit (Incl. Item Nos. 3 and 4) **	CALL	CALL	1
	77707-0011	Blower/Adapter Plate Gasket Kit (Incl. Item Nos. 8, 9, 10, 12)	71.54	85.96	1
	474994	Flameholder Kit (Incl. Item Nos. 10, 11, 12, 13)	167.15	200.85	1
	77707-0008	Insulation Kit (Incl. Item Nos. 13, 14, 16, 17, 18, 19)	173.20	208.12	1
	474845	Direct Air Intake Duct Kit (MasterTemp 125)	297.90	357.96	1

* Not available separately.

** Not included with heater. Order separately.

CALIFORNIA PROPOSITION 65 WARNING

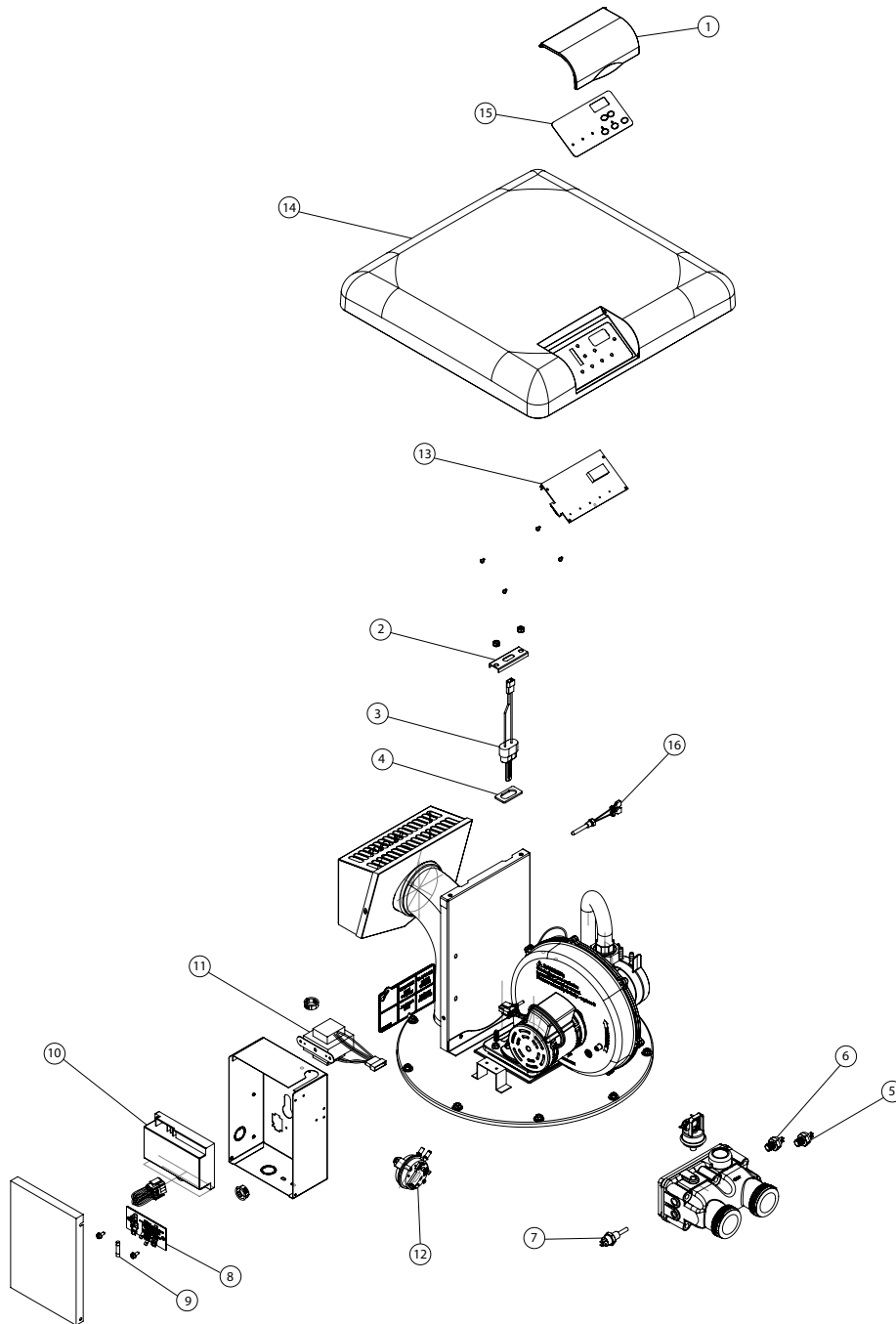
 **WARNING:** Cancer and Reproductive Harm.
 **AVERTISSEMENT:** Peut Causer le Cancer et des Dommages au Système Reproducteur.
 **ADVERTENCIA:** Cáncer y Daño Reproductivo.

www.p65warnings.ca.gov.

PH 201714

MASTERTEMP® 125 HEATER (CONT'D)

ELECTRICAL SYSTEM REPLACEMENT PARTS



Product on page 106–107.




CALIFORNIA PROPOSITION 65 WARNING
⚠ WARNING: Cancer and Reproductive Harm.
⚠ AVERTISSEMENT: Peut Causer le Cancer et des Dommages au Système Reproducteur.
⚠ ADVERTENCIA: Cáncer y Daño Reproductivo.
www.p65warnings.ca.gov. P65-2017-14

MASTERTEMP® 125 HEATER (CONT'D)

ELECTRICAL SYSTEM REPLACEMENT PARTS

Item	Part No.	Description	US List	Can. List
ELECTRICAL SYSTEM				
1	42002-0035Z	Heater Display Cover	59.36	71.33
2	42001-0030S	Igniter Bracket	59.36	71.33
3	77707-0054	Igniter/Igniter Gasket Kit, Incl. Item Nos. 3 and 4)	92.00	110.55
4	42001-0066S	Igniter Gasket	59.36	71.33
5	42002-0025S	Automatic Gas Shutoff Switch (AGS)	56.57	67.97
6	42001-0063S	High Limit Switch	68.78	82.65
7	42001-0053S	Thermistor	87.87	105.58
8	42001-0056S	Terminal Board	59.36	71.33
9	32850-0099	Fireman's Switch Fuse (1.25A, 1-1/4 in.)	8.31	9.99
10	42001-0052S	Ignition Control Module	368.88	443.25
11	42001-0107S	Transformer, 115/230V	75.03	90.16
12	42001-0061S	Air Flow Switch	152.13	182.80
13	42002-0007S	Control Board Kit (NA, LP Series)	698.39	839.19
14	42002-0034Z	Heater, Top	387.30	465.38
15	472610Z	Membrane Pad (NA, LP Series)	152.42	183.15
16	42002-0024S	Stack Flue Sensor	132.21	158.86
NOT SHOWN				
	42001-0104S	Heater Wiring Harness -115/230V	366.05	439.85
	42001-0105S	120/240 Volt Plug Kit	59.36	71.33

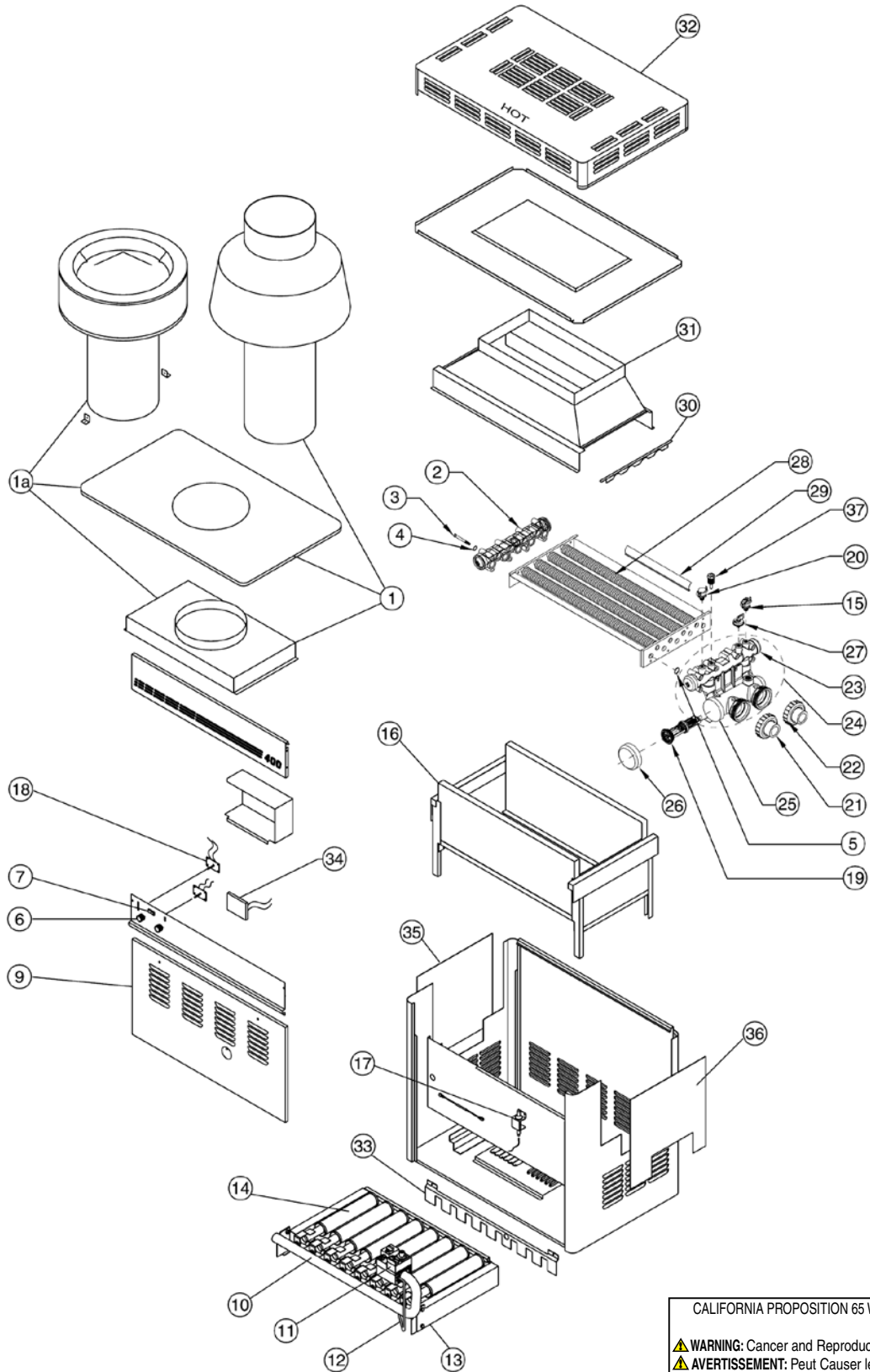
CALIFORNIA PROPOSITION 65 WARNING

 **WARNING:** Cancer and Reproductive Harm.
 **AVERTISSEMENT:** Peut Causer le Cancer et des Dommages au Système Reproducteur.
 **ADVERTENCIA:** Cáncer y Daño Reproductivo.
www.p65warnings.ca.gov

Product on page 106–107.

MINIMAX® CH HEATER

REPLACEMENT PARTS



CALIFORNIA PROPOSITION 65 WARNING
 ⚠️ WARNING: Cancer and Reproductive Harm.
 ⚠️ AVERTISSEMENT: Peut Causer le Cancer et des Dommages au Système Reproducteur.
 ⚠️ ADVERTENCIA: Cáncer y Daño Reproductivo.
www.p65warnings.ca.gov PH201714A

MINIMAX® CH HEATER (CONT'D)

REPLACEMENT PARTS

Item	Part No.	Mod.	Description	US List	Can. List	Qty.
VENT KIT ASSEMBLY						
1	460227	150	Indoor	CALL	CALL	1
1	460228	200	Indoor	CALL	CALL	1
1	460230	250	Indoor	CALL	CALL	1
1	460231	300	Indoor	CALL	CALL	1
1	460233	350	Indoor	CALL	CALL	1
1	460234	400	Indoor	CALL	CALL	1
1a	460237	150	Outdoor	CALL	CALL	1
1a	460222	200	Outdoor	CALL	CALL	1
1a	460223	250	Outdoor	CALL	CALL	1
1a	460224	300	Outdoor	CALL	CALL	1
1a	460225	350	Outdoor	CALL	CALL	1
1a	460226	400	Outdoor	CALL	CALL	1
2	471991		Return header assembly ¹	89.47	107.51	1
3	471622		Bolt, heat exchanger ¹	1.69	2.03	16
4	072184		Washer 3/8 in. ID 7/8 in. OD ¹	1.69	2.03	16
5	070951		Tube seal gasket ¹	1.60	1.92	18
6	470184		Thermostat knob ¹	14.20	17.06	2
7	470186		Switch, rocker (single pole and double throw) ¹	13.92	16.73	1
CONTROL PANEL ASSEMBLY, COMPLETE						
9	075468	150	door, millivolt	127.44	153.13	1
9	075604	200	door, millivolt	184.70	221.94	1
9	075488	250	door, millivolt	136.31	163.79	1
9	075605	300	door, millivolt	CALL	CALL	1
9	075606	350	door, millivolt	238.62	286.73	1
9	075490	400	door, millivolt	249.52	299.82	1
10	070256	150	Manifold burner	67.64	81.28	1
10	075525	200	Manifold burner	71.99	86.50	1
10	070257	250	Manifold burner	75.94	91.25	1
10	075526	300	Manifold burner	80.76	97.04	1
10	075527	350	Manifold burner	81.06	97.40	1
10	070258	400	Manifold burner	89.76	107.86	1
11	075457		Gas valve natural, millivolt ¹	540.53	649.50	1
11	075458		Gas valve propane, millivolt ¹	532.40	639.73	1
12	076084		Pilot tube, millivolt ²	CALL	CALL	1
12	076085		Pilot tube, millivolt ³	CALL	CALL	1
12	076086		Pilot tube, millivolt ⁴	CALL	CALL	1
BURNER TRAY ASSEMBLY, COMPLETE						
13	075493	150	natural, millivolt	CALL	CALL	1
13	075496	200	natural, millivolt	CALL	CALL	1
13	075494	250	natural, millivolt	CALL	CALL	1
13	075497	300	natural, millivolt	CALL	CALL	1
13	075498	350	natural, millivolt	CALL	CALL	1
13	075495	400	natural, millivolt	CALL	CALL	1
13	075502	150	Propane, millivolt	1618.20	1944.43	1
13	075505	200	Propane, millivolt	1802.42	2165.79	1

Item	Part No.	Mod.	Description	US List	Can. List	Qty.
13	075503	250	Propane, millivolt	1971.73	2369.23	1
13	075506	300	Propane, millivolt	2087.26	2508.05	1
13	075507	350	Propane, millivolt	2382.26	2862.52	1
13	075504	400	Propane, millivolt	2487.76	2989.29	1
14	070230		Burner ^{1,6}	133.64	160.58	
14a	470550		Burner with pilot bracket (not shown) ¹	CALL	CALL	1
15	473605		Pressure switch ¹	85.14	102.30	1
COMBUSTION CHAMBER ASSEMBLY, COMPLETE						
16	073858	150	Assembly	554.20	665.93	1
16	075586	200	Assembly	593.00	712.55	1
16	073857	250	Assembly	646.41	776.73	1
16	075587	300	Assembly	676.85	813.30	1
16	075588	350	Assembly	661.86	795.29	1
16	073856	400	Assembly	743.63	893.55	1
17	075459		Presslite igniter assembly ¹	22.46	26.99	1
18	471678		Potentiometer ¹	26.97	32.41	2
19	471750		Flow valve assembly ¹	231.81	278.54	1
20	471587		Hi-limit thermostat 115° ¹	54.62	65.63	1
21	471441		Adaptor, bulkhead, 2 in. ¹	19.76	23.74	2
22	274440		Adaptor, bulkhead ring ¹	18.14	21.80	2
23	471993		Main manifold assembly ¹	71.65	86.09	1
24	471992		Main header assembly ¹	535.46	643.41	1
25	471419		Main manifold bottom ¹	77.03	92.56	1
26	471420		Cap, main manifold bottom ¹	15.17	18.23	1
27	471694		Hi-limit thermostat 150° ¹	55.65	66.87	1
HEAT EXCHANGER						
28	472131	150	Without heads	834.61	1002.87	1
28	472169	150	With heads	1275.91	1533.13	1
28	472132	200	Without heads	1037.29	1246.41	1
28	472168	200	With heads	1086.98	1306.12	1
28	472167	250	With heads	1168.64	1404.24	8
28	472133	250	Without heads	1077.85	1295.14	1
28	472134	300	Without heads	1192.75	1433.21	1
28	472166	300	With heads	CALL	CALL	
28	472135	350	Without heads	1329.57	1597.61	1
28	472165	350	With heads	2374.90	2853.68	
28	472136	400	Without heads	1496.79	1798.54	1
28	472164	400	With heads	1579.30	1897.69	
29	070277	150	Baffle	7.23	8.69	1
29	075559	200	Baffle	6.11	7.34	8
29	070276	250	Baffle	7.23	8.69	8
29	075560	300	Baffle	6.78	8.15	8
29	070277	350	Baffle	7.23	8.69	16
29	070278	400	Baffle	7.75	9.31	16

MINIMAX® CH HEATER (CONT'D)

REPLACEMENT PARTS

Item	Part No.	Mod.	Description	US List	Can. List	Qty.
30	472329		Baffle hold down, (2 baffles on 400) ¹	11.20	13.46	1
31	073864	150	Flue collector	211.40	254.02	1
31	075622	200	Flue collector	236.62	284.32	1
31	073863	250	Flue collector	236.62	284.32	1
31	075623	300	Flue collector	CALL	CALL	1
31	075624	350	Flue collector	CALL	CALL	1
31	073862	400	Flue collector	236.62	284.32	1
32	470471	150	Outdoor top assembly	441.46	530.46	1
32	470472	200	Outdoor top assembly	468.69	563.18	1
32	470473	250	Outdoor top assembly	444.76	534.42	1
32	470474	300	Outdoor top assembly	508.30	610.77	1
32	470475	350	Outdoor top assembly	CALL	CALL	1
32	470476	400	Outdoor top assembly	509.07	611.70	1

LIGHTBACK SHIELD

33	075783	150	Propane gas units only	CALL	CALL	1
33	075784	200	Propane gas units only	CALL	CALL	1
33	075785	250	Propane gas units only	34.20	41.09	1
33	075786	300	Propane gas units only	CALL	CALL	1
33	075787	350	Propane gas units only	34.55	41.52	1
33	075788	400	Propane gas units only	39.16	47.05	1
34	471677		Electronic thermostat kit, millivolt models ¹	179.17	215.29	1
35	073789		Panel, return ¹	33.32	40.04	1
36	472127		Panel, in/out ¹	141.58	170.12	1
37	472101		Thermistor, probe, complete millivolt models ¹	46.94	56.40	1

NOT SHOWN

	070715		Plastic mounting bracket ¹	1.56	1.87	
	471277		Clips for wire harness ¹	6.11	7.34	
	075511		Wire kit, millivolt ¹	CALL	CALL	
	071703		Screw, 8 x 1/4 in. HH ¹	CALL	CALL	
	071698		Screw, 8 x 1/2 in. HH ¹	1.56	1.87	
	071716		Screw, 6 x 1/4 in. ¹	1.56	1.87	
	071659		Screw, 10-32 x 1/4 in. ¹	CALL	CALL	
	075692		Screw, 10-32 x 3/16 in. ¹	CALL	CALL	
	070551		Bushing 1/2 in. ¹	CALL	CALL	
	470414		Therm knob stopper ¹	8.38	10.07	2
	073725		Bolt, 5/16 in.-18 x 3/4 in. ¹	1.69	2.03	2

Item	Part No.	Mod.	Description	US List	Can. List	Qty.
	See pg. 445		Orifice main burner, natural ^{1,5}			
	See pg. 445		Orifice main burner, propane ^{1,5}			
	471292		Pilot, natural, millivolt ¹	73.21	87.97	1
	471291		Pilot, propane, millivolt ¹	73.21	87.97	1
	071515		Pilot, generator ¹	118.57	142.47	1
	075173		Thermal cutoff, fusible link ¹	23.65	28.42	1
	472330		Power element, flow-valve ¹	170.27	204.60	1
	471293		Pilot rainshield ¹	32.12	38.60	1
	471328		Pilot electrode (only) ¹	104.31	125.34	1
	074540		"L" brackets ¹	6.30	7.57	3
	471271		Bracket adapter Q379 pilot MV ¹	21.21	25.49	1
	072253		Jumper ¹	6.11	7.34	1
	471612		Door latch ¹	12.19	14.65	1
	075461		Electrode Assembly	79.17	95.13	1

¹ Part No. used in Model Nos., 150, 200, 250, 300, 350, 400.

² Part No. used in Model Nos., 150, 200.




³ Part No. used in Model Nos., 250, 300.

⁴ Part No. used in Model Nos., 350, 400.

⁵ Qty. = Model N or P 150 (3 ea.), 200 (4 ea.), 250 (5 ea.), 300 (6 ea.), 350 (7 ea.), 400 (8 ea.). For complete orifice requirements, see pages 445.

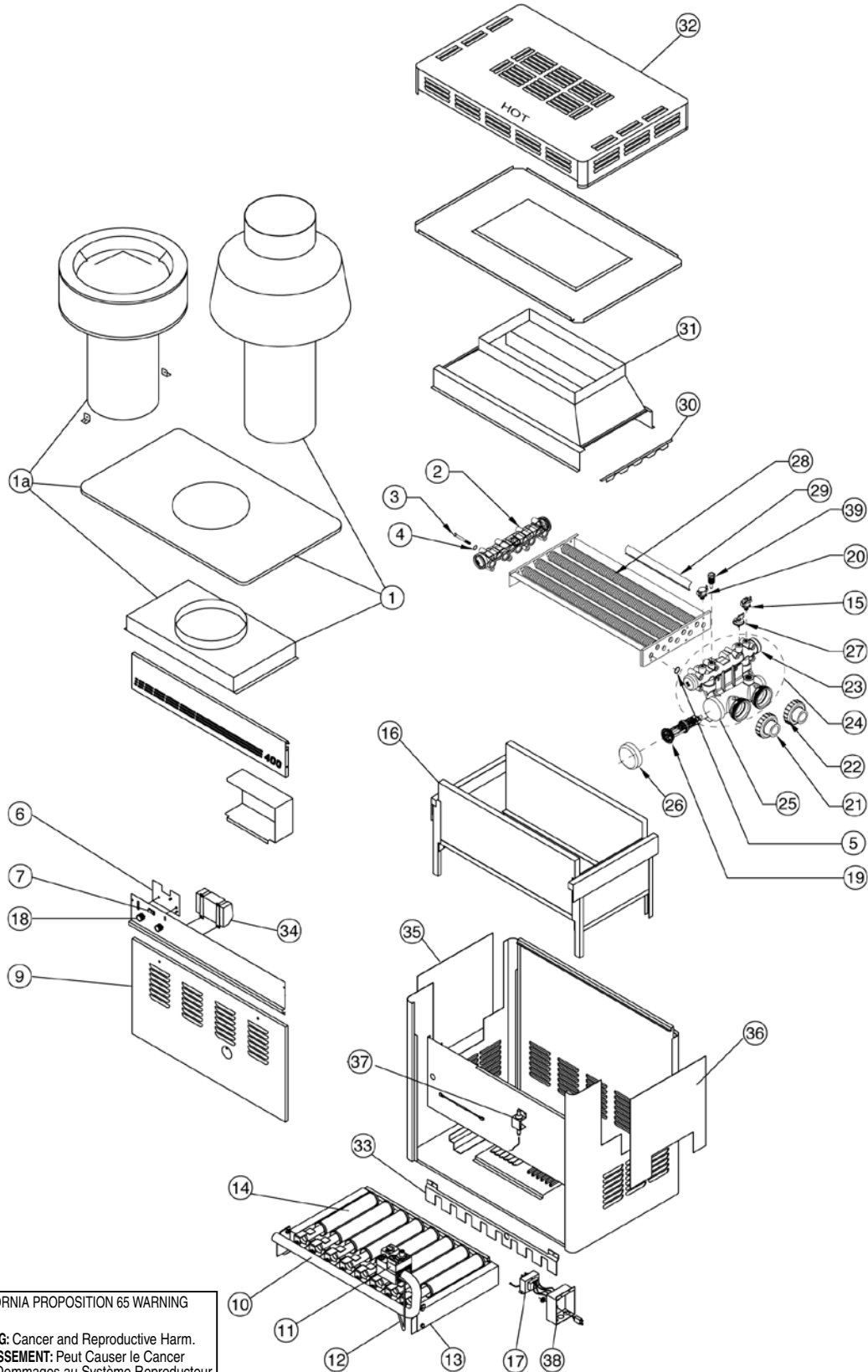
⁶ Qty. = Model 150 (2 ea.), 200 (3 ea.), 250 (4 ea.), 300 (5 ea.), 350 (6 ea.), 400 (7 ea.).

CALIFORNIA PROPOSITION 65 WARNING

 **WARNING:** Cancer and Reproductive Harm.
 **AVERTISSEMENT:** Peut Causer le Cancer et des Dommages au Système Reproducteur.
 **ADVERTENCIA:** Cáncer y Daño Reproductivo.
www.p65warnings.ca.gov

MINIMAX® CH HEATER, 150 IID MODEL

REPLACEMENT PARTS



CALIFORNIA PROPOSITION 65 WARNING
 ⚠️ **WARNING:** Cancer and Reproductive Harm.
 ⚠️ **AVERTISSEMENT:** Peut Causer le Cancer et des Dommages au Système Reproducteur.
 ⚠️ **ADVERTENCIA:** Cáncer y Daño Reproductivo.
www.p65warnings.ca.gov PK32019A.1


MINIMAX® CH HEATER, 150 IID MODEL (CONT'D)

REPLACEMENT PARTS

Item	Part No.	Description	US List	Can. List	Qty.
MINIMAX® CH, 150 IID					
1	460227	Vent kit assembly, indoor	CALL	CALL	1
1a	460237	Vent kit assembly, outdoor	CALL	CALL	1
2	471991	Return header assembly	89.47	107.51	1
3	471622	Bolt, heat exchanger	1.69	2.03	16
4	072184	Washer 3/8 in. ID 7/8 in. OD	1.69	2.03	16
5	070951	Tube seal gasket	1.60	1.92	18
6	470179	Electronic thermostat circuit board, IID Model	243.86	293.02	1
7	470186	Switch rocker, single pole & double throw	13.92	16.73	1
9	075468	Door, millivolt or IID	127.44	153.13	1
10	070256	Manifold burner	67.64	81.28	1
11	073998	Gas valve natural, IID	414.45	498.00	1
11	073999	Gas valve propane, IID	414.45	498.00	1
12	075191	Pilot tube, IID	CALL	CALL	
13	073752	Burner tray assembly, natural, complete, IID	CALL	CALL	1
13	073906	Burner tray assembly, propane, complete, IID	CALL	CALL	1
14	070230	Burner	133.64	160.58	2
14a	470550	Burner with pilot bracket, not shown	CALL	CALL	1
15	473605	Pressure switch	85.14	102.30	1
16	073858	Combustion chamber assembly, complete	554.20	665.93	1
17	471360	Transformer, w/ circuit breaker, dual voltage	81.99	98.52	1
18	470184	Thermostat knob	14.20	17.06	2
19	471750	Flow valve assembly	231.81	278.54	1
20	471587	Hi-limit thermostat 115°	54.62	65.63	1
21	471441	Adaptor, bulkhead, 2 in.	19.76	23.74	2
22	274440	Adaptor, bulkhead ring	18.14	21.80	2
23	471993	Main manifold assembly	71.65	86.09	1
24	471992	Main header assembly	535.46	643.41	1
25	471419	Main manifold bottom	77.03	92.56	1
26	471420	Cap, main manifold bottom	15.17	18.23	1
27	471694	Hi-limit thermostat 150°	55.65	66.87	1
28	472131	Heat exchanger, without heads	834.61	1002.87	1
28	472169	Heat exchanger, with heads	1275.91	1533.13	1
29	070277	Baffle	7.23	8.69	8
30	472329	Baffle hold down, (2 baffles on 400)	11.20	13.46	1
31	073864	Flue collector	211.40	254.02	1
32	470471	Outdoor top assembly	441.46	530.46	1

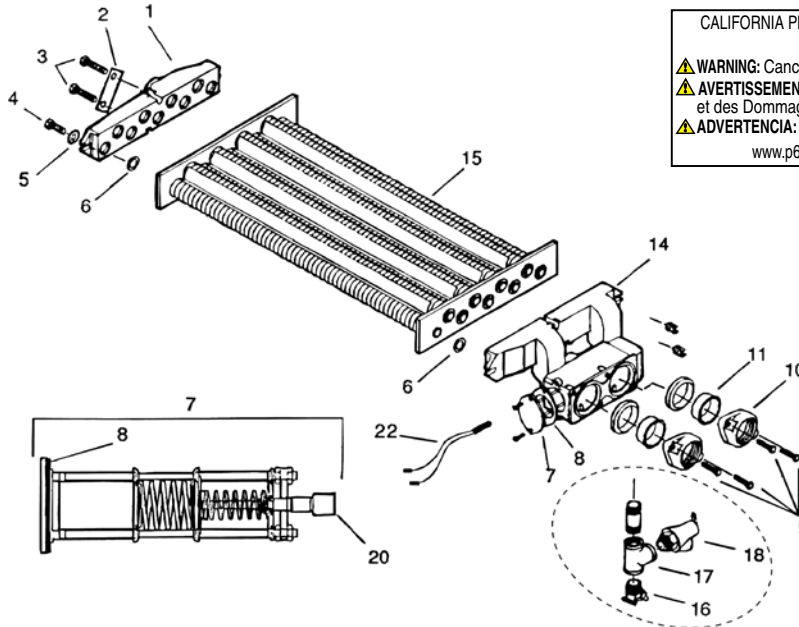
Item	Part No.	Description	US List	Can. List	Qty.
33	075783	Lightback shield (propane gas units only)	CALL	CALL	1
34	073584	Module natural gas	366.52	440.41	1
	073585	Module propane gas	378.53	454.84	1
35	073789	Panel, return	33.32	40.04	1
36	472127	Panel, in/out	141.58	170.12	1
37	075459	Ignitor millivolt MMX	22.46	26.99	1
38	470122	Junction box	37.81	45.43	1
39	472101	Thermistor Probe MMX CH	46.94	56.40	1
NOT SHOWN					
	070715	Plastic mounting bracket	1.56	1.87	
	471277	Clips for wire harness	6.11	7.34	
	075511	Wire kit, millivolt	CALL	CALL	
	071703	Screw, 8 x 1/4 in. HH	CALL	CALL	
	071698	Screw 8 x 1/2 in. HH	1.56	1.87	
	071716	Screw, 6 x 1/4 in.	1.56	1.87	
	071659	Screw, 10-32 x 1/4 in.	CALL	CALL	
	075692	Screw, 10-32 x 3/16 in.	CALL	CALL	
	070551	Bushing, 1/2 in.	CALL	CALL	
	470414	Therm knob stopper	8.38	10.07	2
	073725	Bolt 5/16 in., 18 x 3/4 in.	1.69	2.03	2
	See pg. 445	Orifice main burner, natural			3
	See pg. 445	Orifice main burner, propane			3
	471292	Pilot, natural, millivolt	73.21	87.97	1
	471291	Pilot, propane, millivolt	73.21	87.97	1
	071515	Pilot, generator	118.57	142.47	1
	075173	Thermal cutoff, fusible link	23.65	28.42	1
	472330	Power element, flow-valve	170.27	204.60	1
	471293	Pilot rainshield	32.12	38.60	1
	471328	Pilot electrode, only	104.31	125.34	1
	074540	"L" brackets	6.30	7.57	3
	471271	Bracket adapter Q379 pilot, MV	21.21	25.49	
	072253	Jumper	6.11	7.34	
	471612	Door latch	12.19	14.65	1

CALIFORNIA PROPOSITION 65 WARNING


WARNING: Cancer and Reproductive Harm.
AVERTISSEMENT: Peut Causer le Cancer et des Dommages au Système Reproducteur.
ADVERTENCIA: Cáncer y Daño Reproductivo.
www.p65warnings.ca.gov

HEAT EXCHANGER

REPLACEMENT PARTS FOR MINIMAX HEATER MODELS '91 TO 01-97



CALIFORNIA PROPOSITION 65 WARNING
 ⚠️ **WARNING:** Cancer and Reproductive Harm.
 ⚠️ **AVERTISSEMENT:** Peut Causer le Cancer et des Dommages au Système Reproducteur.
 ⚠️ **ADVERTENCIA:** Cáncer y Daño Reproductivo.
 www.p65warnings.ca.gov. P65017A

Item	Part No.	Description	US List	Can. List
HEAT EXCHANGER				
1	070994	Return header	266.43	320.14
2	072180	Bracket washer, 2 req.	1.56	1.87
3	073739	Bolt, 3/8, 16 x 2 in. plt., 4 req.	1.65	1.98
4	070416	Bolt, hh. 3/8-16 x 1-1/2 in. SS, 4 req.	1.56	1.87
5	072180	Washer, 3/8 in. i.d., 1 in. o.d., 4 req.	1.56	1.87
6	070951	Tube seal gasket, 18 req.	1.60	1.92
7	471424	Flow valve assembly	170.29	204.62
8	074015	Gasket flow valve	6.30	7.57
9	075492	Bolt, 3/8-16 x 2-1/2 in. plt., 4 req.	1.69	2.03
10	075284	Quick flange kit ¹	CALL	CALL
10	075283	Flange only	CALL	CALL
11	070544	Bushing in/out, 2 in. Lexan, 2 req.	6.11	7.34
12	071895	Sleeve rubber, in/out, 2 in., 2 req.	11.52	13.84
13	071017	Hi-limit 135/120, 2 req.	50.81	61.05
14	070985	Main header in/out	782.52	940.28
15	074452	Assembly, w/o heads 150, 17 lbs.	915.74	1100.35
15	075628	Assembly, w/o heads 200, 20 lbs.	1006.89	1209.88
15	074451	Assembly, w/o heads 250, 22 lbs.	1231.01	1479.18

Item	Part No.	Description	US List	Can. List
15	075629	Assembly, w/o heads 300, 25 lbs.	1242.58	1493.08
15	075630	Assembly, w/o heads 350, 28 lbs.	1361.18	1635.59
15	074074	Assembly, w/o heads 400, 30 lbs.	1499.52	1801.82
15	470364	Assembly, w/ heads 150	CALL	CALL
15	470365	Assembly, w/ heads 200	CALL	CALL
15	470366	Assembly, w/ heads 250	CALL	CALL
15	470367	Assembly, w/ heads 300	CALL	CALL
15	470368	Assembly, w/ heads 350	CALL	CALL
15	470369	Assembly, w/ heads 400	CALL	CALL
16	072134	Valve boiler drain 3/4 in.	32.85	39.47
18	072138	Valve relief, 3/4 in. 50#, ASME or local code	90.98	109.32
20	472330	Power element	170.27	204.60
22	070274	Sensor bulb	55.04	66.14

NOT SHOWN				
	075285	Assembly bag quick flange ASME heaters	CALL	CALL

¹ Includes quick flange unit, (4) bolts, (4) washers, (2) 2 in. bushings, (2) 1-1/2 in. bushings, (2) sleeves.

MINIMAX® HEATER VENT KITS AND ACCESSORIES

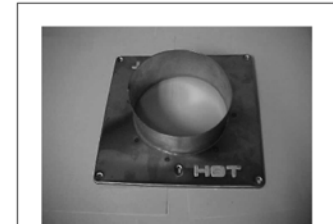
FOR MINIMAX HEATERS

Ordering Information

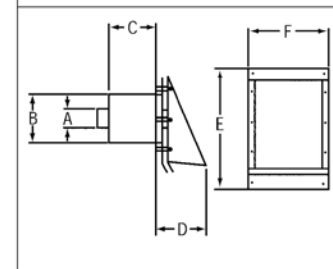
Product	Used On	For Heater Size
OUTDOOR VENT KITS		
471357	SPA	75/100
460237	CH	150
460222	CH	200
460223	CH	250
460224	CH	300
460225	CH	350
460226	CH	400
460424	All NT Models	All Sizes
INDOOR VENT KITS		
471187	SPA	75/100
460227	CH	150
460228	CH	200
460230	CH	250
460231	CH	300
460233	CH	350
460234	CH	400
460506	All NT Models	All BTU sizes 4-inch dia. Vent
460507	All NT Models	All BTU sizes 5-inch dia. Vent



Outdoor Vent Kit for MiniMax Heater

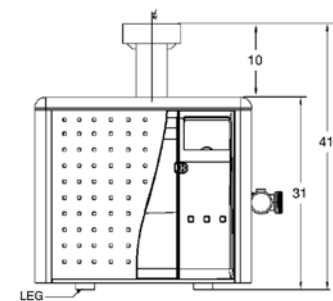


Indoor Vent Adaptors



Dimensions and Performance

Product	Heater Model	Dim. A	Dim. B	Dim. C	Dim. D	Dim. E	Dim. F
THROUGH WALL VENT KITS							
471532	4-inch Dia NT	4	6	8.5	6.312	12.625	10.625
471543	5-inch Dia NT	5	8	8.5	8	12.625	10.625



Contact Factory for proper installation on older MiniMax Heater Models.

See Engineering Data pages 603-614 for information on selecting the proper size heater and for heater gas supply and pipe sizing information.

CALIFORNIA PROPOSITION 65 WARNING

⚠️ **WARNING:** Cancer and Reproductive Harm.
 ⚠️ **AVERTISSEMENT:** Peut Causer le Cancer et des Dommages au Système Reproducteur.
 ⚠️ **ADVERTENCIA:** Cáncer y Daño Reproductivo.




www.p65warnings.ca.gov. P65-2017-1-A

AIR PRESSURE SWITCHES

Part No.	Model	Fuel	Size	Elevation	Air Pressure Switch		
					Part No.	Color	Setting
AIR PRESSURE SWITCH							
460534	NT STD	Nat	200	0-2999	472678Z	White	0.40
460563	NT STD	Nat	200	3000-5999	472325	Blue	0.35
460427	NT STD	Nat	200	6000-9999	472325	Blue	0.35
460533	NT STD	Nat	250	0-2999	472181	Orange	0.75
460557	NT STD	Nat	250	3000-5999	472180	Green	0.65
460428	NT STD	Nat	250	6000-9999	472326	White	0.55
460532	NT STD	Nat	300	0-2999	472327	Gray	0.80
460551	NT STD	Nat	300	3000-5999	472180	Green	0.65
460429	NT STD	Nat	300	6000-9999	472326	White	0.55
460531	NT STD	Nat	400	0-2999	472183	Violet	1.35
460545	NT STD	Nat	400	3000-5999	472328	Pink	1.05
460430	NT STD	Nat	400	6000-9999	472328	Pink	1.05
460561	NT STD ASME	Nat	200	0-2999	472178	White	0.40
460565	NT STD ASME	Nat	200	3000-5999	472325	Blue	0.35
460447	NT STD ASME	Nat	200	6000-9999	472325	Blue	0.35
460555	NT STD ASME	Nat	250	0-2999	472181	Orange	0.75
460559	NT STD ASME	Nat	250	3000-5999	472180	Green	0.65
460448	NT STD ASME	Nat	250	6000-9999	472326	White	0.55
460549	NT STD ASME	Nat	300	0-2999	472327	Gray	0.80
460553	NT STD ASME	Nat	300	3000-5999	472180	Green	0.65
460449	NT STD ASME	Nat	300	6000-9999	472326	White	0.55
460543	NT STD ASME	Nat	400	0-2999	472183	Violet	1.35
460547	NT STD ASME	Nat	400	3000-5999	472328	Pink	1.05
460450	NT STD ASME	Nat	400	6000-9999	472328	Pink	1.05
460538	NT STD	LP	200	0-2999	472178	White	0.40
460564	NT STD	LP	200	3000-5999	472325	Blue	0.35
460439	NT STD	LP	200	6000-9999	472325	Blue	0.35
460537	NT STD	LP	250	0-2999	472181	Orange	0.75
460558	NT STD	LP	250	3000-5999	472180	Green	0.65
460440	NT STD	LP	250	6000-9999	472326	White	0.55
460536	NT STD	LP	300	0-2999	472327	Gray	0.80
460552	NT STD	LP	300	3000-5999	472180	Green	0.65
460441	NT STD	LP	300	6000-9999	472326	White	0.55
460535	NT STD	LP	400	0-2999	472183	Violet	1.35
460546	NT STD	LP	400	3000-5999	472328	Pink	1.05
460442	NT STD	LP	400	6000-9999	472328	Pink	1.05
460562	NT STD ASME	LP	200	0-2999	472178	White	0.40
460566	NT STD ASME	LP	200	3000-5999	472325	Blue	0.35
460443	NT STD ASME	LP	200	6000-9999	472325	Blue	0.35
460556	NT STD ASME	LP	250	0-2999	472181	Orange	0.75
460560	NT STD ASME	LP	250	3000-5999	472180	Green	0.65
460444	NT STD ASME	LP	250	6000-9999	472326	White	0.55
460550	NT STD ASME	LP	300	0-2999	472327	Gray	0.80
460554	NT STD ASME	LP	300	3000-5999	472180	Green	0.65
460445	NT STD ASME	LP	300	6000-9999	472326	White	0.55
460544	NT STD ASME	LP	400	0-2999	472183	Violet	1.35
460548	NT STD ASME	LP	400	3000-5999	472328	Pink	1.05
460446	NT STD ASME	LP	400	6000-9999	472328	Pink	1.05
460540	NT Lonox	Nat	200	0-2999	472178	Red	0.22
460568	NT Lonox	Nat	200	3000-5999	472324	L. Blue	0.18
460431	NT Lonox	Nat	200	6000-9999	472324	L. Blue	0.18
460576	NT Lonox	Nat	250	0-2999	472180	Green	0.65

Part No.	Model	Fuel	Size	Elevation	Air Pressure Switch		
					Part No.	Color	Setting
460569	NT Lonox	Nat	250	3000-5999	472326	White	0.55
460432	NT Lonox	Nat	250	6000-9999	472326	White	0.55
460539	NT Lonox	Nat	300	0-2999	472181	Orange	0.75
460570	NT Lonox	Nat	300	3000-5999	472180	Green	0.65
460433	NT Lonox	Nat	300	6000-9999	472326	White	0.55
460577	NT Lonox	Nat	400	0-2999	472182	Yellow	0.95
460571	NT Lonox	Nat	400	3000-5999	472327	Gray	0.80
460434	NT Lonox	Nat	400	6000-9999	472181	Orange	0.75
460541	NT Lonox ASME	Nat	200	0-2999	472178	Red	0.22
460572	NT Lonox ASME	Nat	200	3000-5999	472324	L. Blue	0.18
460451	NT Lonox ASME	Nat	200	6000-9999	472324	L. Blue	0.18
460510	NT Lonox ASME	Nat	250	0-2999	472180	Green	0.65
460573	NT Lonox ASME	Nat	250	3000-5999	472326	White	0.55
460452	NT Lonox ASME	Nat	250	6000-9999	472326	White	0.55
460542	NT Lonox ASME	Nat	300	0-2999	472181	Orange	0.75
460574	NT Lonox ASME	Nat	300	3000-5999	472180	Green	0.65
460465	NT Lonox ASME	Nat	300	6000-9999	472326	White	0.55
460511	NT Lonox ASME	Nat	400	0-2999	472182	Yellow	0.95
460575	NT Lonox ASME	Nat	400	3000-5999	472327	Gray	0.80
460466	NT Lonox ASME	Nat	400	6000-9999	472181	Orange	0.75
460720	NT TSI	Nat	200	0-2999	472178	Red	0.22
460724	NT TSI	Nat	200	3000-5999	472178	Red	0.22
460435	NT TSI	Nat	200	6000-9999	472324	L. Blue	0.18
460721	NT TSI	Nat	250	0-2999	472179	Brown	0.45
460725	NT TSI	Nat	250	3000-5999	472179	Brown	0.45
460436	NT TSI	Nat	250	6000-9999	472325	Blue	0.35
460722	NT TSI	Nat	300	0-2999	472182	Yellow	0.95
460726	NT TSI	Nat	300	3000-5999	472327	Gray	0.80
460437	NT TSI	Nat	300	6000-9999	472181	Orange	0.75
460723	NT TSI	Nat	400	0-2999	472182	Yellow	0.95
460727	NT TSI	Nat	400	3000-5999	472327	Gray	0.80
460438	NT TSI	Nat	400	6000-9999	472181	Orange	0.75
460412	NT TSI ASME	Nat	200	0-2999	472178	Red	0.22
460416	NT TSI ASME	Nat	200	3000-5999	472178	Red	0.22
460467	NT TSI ASME	Nat	200	6000-9999	472324	L. Blue	0.18
460413	NT TSI ASME	Nat	250	0-2999	472179	Brown	0.45
460417	NT TSI ASME	Nat	250	3000-5999	472179	Brown	0.45
460468	NT TSI ASME	Nat	250	6000-9999	472325	Blue	0.35
460414	NT TSI ASME	Nat	300	0-2999	472182	Yellow	0.95
460418	NT TSI ASME	Nat	300	3000-5999	472327	Gray	0.80
460469	NT TSI ASME	Nat	300	6000-9999	472181	Orange	0.75
460415	NT TSI ASME	Nat	400	0-2999	472182	Yellow	0.95
460419	NT TSI ASME	Nat	400	3000-5999	472327	Gray	0.80
460470	NT TSI ASME	Nat	400	6000-9999	472181	Orange	0.75

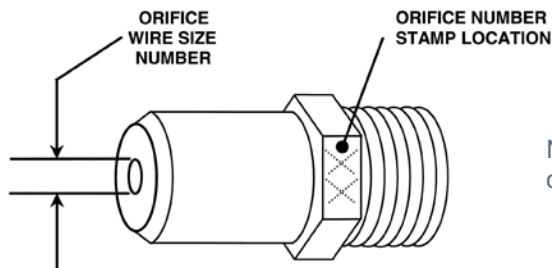
CALIFORNIA PROPOSITION 65 WARNING

 **WARNING:** Cancer and Reproductive Harm.
 **AVERTISSEMENT:** Peut Causer le Cancer et des Dommages au Système Reproducteur.
 **ADVERTENCIA:** Cáncer y Daño Reproductivo.
www.p65warnings.ca.gov

P65-2011-11

BURNER ORIFICE CHART

FOR MINIMAX HEATERS



Note: Some Models may have a different configuration of the orifice.

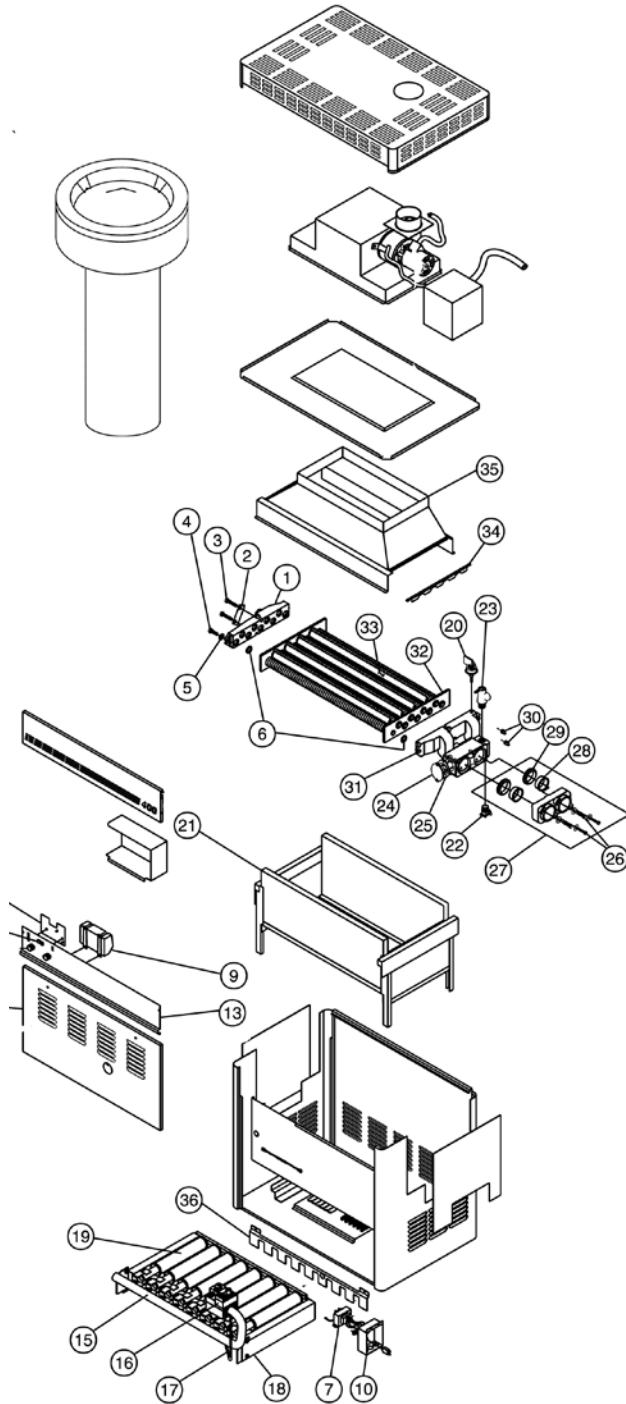
MiniMax Model Used on	Gas Type	Specified Altitude	Part No.	Orifice No.	Orifice Dia.	Color
NATURAL GAS HEATER ORIFICE CHART						
NT STD	NA	0–2999 ft.	073727	30	.1285	Green
NT STD	NA	3000–5999 ft.	472569	1/8	.1250	No Color
NT STD	NA	6000–9999 ft.	071466	31	.1200	No Color
NT STD	NA	10,000 (+) ft.	071467	32	.1160	No Color
NT LN	NA	0–2999 ft.	471984	1/8	.1250	No Color
NT LN	NA	3000–5999 ft.	471985	31	.1200	No Color
NT LN	NA	6000–9999 ft.	471985	31	.1200	No Color
NT LN	NA	10,000 (+) ft.	471986	32	.1160	No Color
NT TSI	NA	0–2999 ft.	472434	23	.1540	No Color
NT TSI	NA	3000–5999 ft.	472496	25	.1495	No Color
NT TSI	NA	6000–9999 ft.	472263	26	.1470	No Color
NT TSI	NA	10,000 (+) ft.	472264	27	.1440	No Color
CH	NA	0–2999 ft.	073727	30	.1285	Green
CH	NA	3000–5999 ft.	472569	1/8	.1250	No Color
CH	NA	6000–9999 ft.	071466	31	.1200	No Color
CH	NA	10,000 (+) ft.	071467	32	.1160	No Color
Commercial	NA	0–2999 ft.	470656	20	.1610	No Color
Commercial	NA	3000–5999 ft.	471975	23	.1540	No Color
Commercial	NA	6000–9999 ft.	470777	24	.1520	No Color
Commercial	NA	10,000 (+) ft.	471974	26	.1470	No Color
PROPANE GAS HEATER ORIFICE CHART						
NT STD	LP	0–2999 ft.	073728	45	.0820	Red
NT STD	LP	3000–5999 ft.	071461	47	.0785	No Color
NT STD	LP	6000–9999 ft.	071462	48	.0760	No Color
NT STD	LP	10,000 (+) ft.	471973	49	.0730	No Color
CH	LP	0–2999 ft.	073728	45	.0820	Red
CH	LP	3000–5999 ft.	071461	47	.0785	No Color
CH	LP	6000–9999 ft.	071462	48	.0760	No Color
CH	LP	10,000 (+) ft.	471973	49	.0730	No Color

CALIFORNIA PROPOSITION 65 WARNING

⚠ **WARNING:** Cancer and Reproductive Harm.
 ⚠ **AVERTISSEMENT:** Peut Causer le Cancer et des Dommages au Système Reproducteur.
 ⚠ **ADVERTENCIA:** Cáncer y Daño Reproductivo.
www.p65warnings.ca.gov

POWERMAX® HEATER

REPLACEMENT PARTS



OPTIONAL OUTDOOR VENT			
471395	Models 150, 200	CALL	CALL
471396	Models 250, 400	CALL	CALL

CALIFORNIA PROPOSITION 65 WARNING
 ⚠️ **WARNING:** Cancer and Reproductive Harm.
 ⚠️ **AVERTISSEMENT:** Peut Causer le Cancer et des Dommages au Système Reproducteur.
 ⚠️ **ADVERTENCIA:** Cáncer y Daño Reproductivo.
www.p65warnings.ca.gov P8-201714

Item	Part No.	Mod.	Description	Qty.	US List	Can. List
POWERMAX® HEATER						
1	070994		Return header ¹	1	266.43	320.14
2	074216		Bracket washer ¹	2	CALL	CALL
3	073739		Bolt, hh. 3/8 in. x 2 in. ¹	4	1.65	1.98
4	070416		Bolt, 3/8, 16 x 1-1/2 in. ¹	4	1.56	1.87
5	072180		Washer 3/8 in. i.d., 1 in. o.d. ¹	4	1.56	1.87
6	070951		Tube seal gasket ¹	18	1.60	1.92
7	471360		Transformer w/ circuit breaker, dual voltage ¹	1	81.99	98.52
8	470179		Electronic thermostat circuit board, IID models ¹	1	243.86	293.02
9	073584		Module natural gas ¹	1	366.52	440.41
9	073585		Module propane gas ¹	1	378.53	454.84
10	470122		Junction box, IID units ¹	1	37.81	45.43
11	470184		Thermostat knob ¹	2	14.20	17.06
12	470186		Switch rocker, sngl. pole & dbl. throw ¹	1	13.92	16.73

CONTROL PANEL ASSEMBLY, COMPLETE						
14	075468	150	Door, IID	1	127.44	153.13
14	075604	200	Door, IID	1	184.70	221.94
14	075488	250	Door, IID	1	136.31	163.79
14	075606	350	Door, IID	1	238.62	286.73
14	075490	400	Door, IID	1	249.52	299.82
15	070256	150	Manifold burner	1	67.64	81.28
15	075525	200	Manifold burner	1	71.99	86.50
15	070257	250	Manifold burner	1	75.94	91.25
15	075526	300	Manifold burner	1	80.76	97.04
15	075527	350	Manifold burner	1	81.06	97.40
15	070258	400	Manifold burner	1	89.76	107.86
16	073998		Gas valve natural, IID ¹	1	414.45	498.00
16	073999		Gas valve propane, IID ¹	1	414.45	498.00
17	075191		Pilot tube, IID ²	1	CALL	CALL
17	075192		Pilot tube, IID ³	1	CALL	CALL
17	075193		Pilot tube, IID ⁴	1	CALL	CALL

BURNER TRAY ASSEMBLY, COMPLETE						
18	073752	150	Natural, IID	1	CALL	CALL
18	075499	200	Natural, IID	1	CALL	CALL
18	073751	250	Natural, IID	1	CALL	CALL
18	075500	300	Natural, IID	1	CALL	CALL
18	075501	350	Natural, IID	1	CALL	CALL
18	073750	400	Natural, IID	1	CALL	CALL

POWERMAX® HEATER (CONT'D)

REPLACEMENT PARTS

Item	Part No.	Mod.	Description	Qty.	US List	Can. List
BURNER TRAY ASSEMBLY, COMPLETE						
18	073906	150	Propane, IID	1	CALL	CALL
18	075508	200	Propane, IID	1	CALL	CALL
18	073905	250	Propane, IID	1	CALL	CALL
18	075509	300	Propane, IID	1	CALL	CALL
18	075510	350	Propane, IID	1	CALL	CALL
18	073904	400	Propane, IID	1	CALL	CALL
19	070230		Burner ¹	8	133.64	160.58
19a	470550		Burner w/ pilot bracket ¹	1	CALL	CALL
20	470190		Pressure switch ¹	1	CALL	CALL
COMBUSTION CHAMBER ASSEMBLY, COMPLETE						
21	073858	150	Assembly	1	554.20	665.93
21	075586	200	Assembly	1	593.00	712.55
21	073857	250	Assembly	1	646.41	776.73
21	075587	300	Assembly	1	676.85	813.30
21	075588	350	Assembly	1	661.86	795.29
21	073856	400	Assembly	1	743.63	893.55
22	072134		Valve drain 3/4 in. ¹	1	32.85	39.47
23	072138		Valve relief 3/4 in. 50# ^{1,7}	1	90.98	109.32
24	471424		Flow valve assembly standard, complete ¹	1	170.29	204.62
24	073989		Flow valve assembly ASME, complete ¹	1	CALL	CALL
25	074015		Flow valve gasket ¹	4	6.30	7.57
26	075492		Bolt 3/8, 16 x 2-1/2 ¹	2	1.69	2.03
27	075284		Quick flange kit ¹	1	CALL	CALL
28	070544		Bushing in/out Lexan ¹	2	6.11	7.34
29	071895		Sleeve, rubber in/out 2 in. ¹	2	11.52	13.84
30	071017		Safety shut-off ¹	2	50.81	61.05
31	070985		Main header, in/out ¹	1	782.52	940.28
HEAT EXCHANGER, WITH HEADS						
32	470364	150	Heat exchanger	1	CALL	CALL
32	470365	200	Heat exchanger	1	CALL	CALL
32	470366	250	Heat exchanger	1	CALL	CALL
32	470367	300	Heat exchanger	1	CALL	CALL
32	470368	350	Heat exchanger	1	CALL	CALL
32	470369	400	Heat exchanger	1	CALL	CALL
HEAT EXCHANGER, WITHOUT HEADS						
32	074452	150	Heat exchanger	1	915.74	1100.35
32	075628	200	Heat exchanger	1	1006.89	1209.88
32	074451	250	Heat exchanger	1	1231.01	1479.18
32	075629	300	Heat exchanger	1	1242.58	1493.08
32	075630	350	Heat exchanger	1	1361.18	1635.59
32	074074	400	Heat exchanger	1	1499.52	1801.82
33	070277	150	Baffle	8	7.23	8.69
33	075559	200	Baffle	8	6.11	7.34
33	070276	250	Baffle	8	7.23	8.69
33	075560	300	Baffle	8	6.78	8.15
33	070277	350	Baffle	16	7.23	8.69
33	070278	400	Baffle	16	7.75	9.31

Item	Part No.	Mod.	Description	Qty.	US List	Can. List
34	472329		Baffle hld. down, 2 baffles on 400, 350	1	11.20	13.46
35	073864	150	Flue collector	1	211.40	254.02
35	075622	200	Flue collector	1	236.62	284.32
35	073863	250	Flue collector	1	236.62	284.32
35	075623	300	Flue collector	1	CALL	CALL
35	075624	350	Flue collector	1	CALL	CALL
35	073862	400	Flue collector	1	236.62	284.32
LIGHTBACK SHIELD (NATURAL GAS UNITS ONLY)						
36	075783	150	Lightback shield	2	CALL	CALL
36	075784	200	Lightback shield	2	CALL	CALL
36	075785	250	Lightback shield	2	34.20	41.09
36	075786	300	Lightback shield	2	CALL	CALL
36	075787	350	Lightback shield	2	34.55	41.52
36	075788	400	Lightback shield	2	39.16	47.05
NOT SHOWN						
	070715		Plastic mounting bracket ¹		1.56	1.87
	470965		Wire kit, harness IID, complete ¹		CALL	CALL
	071703		Screw, 8 x 1/4 in. hh. ¹		CALL	CALL
	071698		Screw, 8 x 1/2 in. hh. ¹		1.56	1.87
	071716		Screw, 6 x 1/4 in. ¹		1.56	1.87
	071659		Screw, 10-32 x 1/4 in. ¹		CALL	CALL
	075692		Screw, 10-32 x 3/16 ¹		CALL	CALL
	070551		Bushing, 1/2 in. ¹		CALL	CALL
	470414		Therm. knob stopper ¹	2	8.38	10.07
	472330		Power element, flow-valve ¹	1	170.27	204.60
	073725		Bolt 5/16, 18 x 3/4 in. ¹	2	1.69	2.03
	073727		Orifice main burner natural ^{1,6}		7.62	9.16
	073728		Orifice main burner propane ^{1,6}		CALL	CALL
	471204		Pilot, natural, IID ¹	1	131.45	157.95
	471205		Pilot, propane, IID ¹	1	131.45	157.95
	075173		Thermal cut-off ¹	1	23.65	28.42
	470180		Thermistor, probe, complete, IID Models ¹	1	50.85	61.10
	470181		Stem, thermostat control, IID models	2	6.11	7.34

¹ Part No. used in Model Nos., 150, 200, 250, 300, 350, 400.

² Part No. used in Model Nos., 150, 200.

³ Part No. used in Model Nos., 250, 300.

⁴ Part No. used in Model Nos., 350, 400.

⁵ Part No. used in Model Nos., 150, 250, 300, 350, 400.

⁶ Qty. = Model N or P 150 (3 ea.), 200 (4 ea.), 250 (5 ea.), 300 (6 ea.), 350 (7 ea.), 400 (8 ea.).

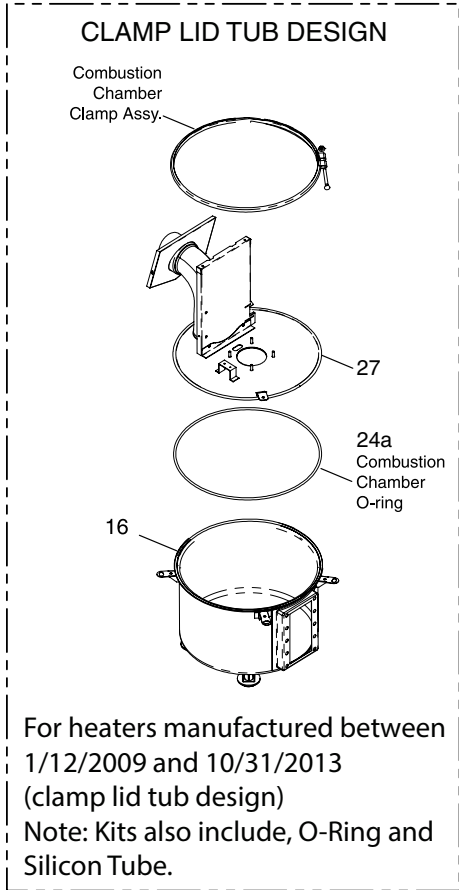
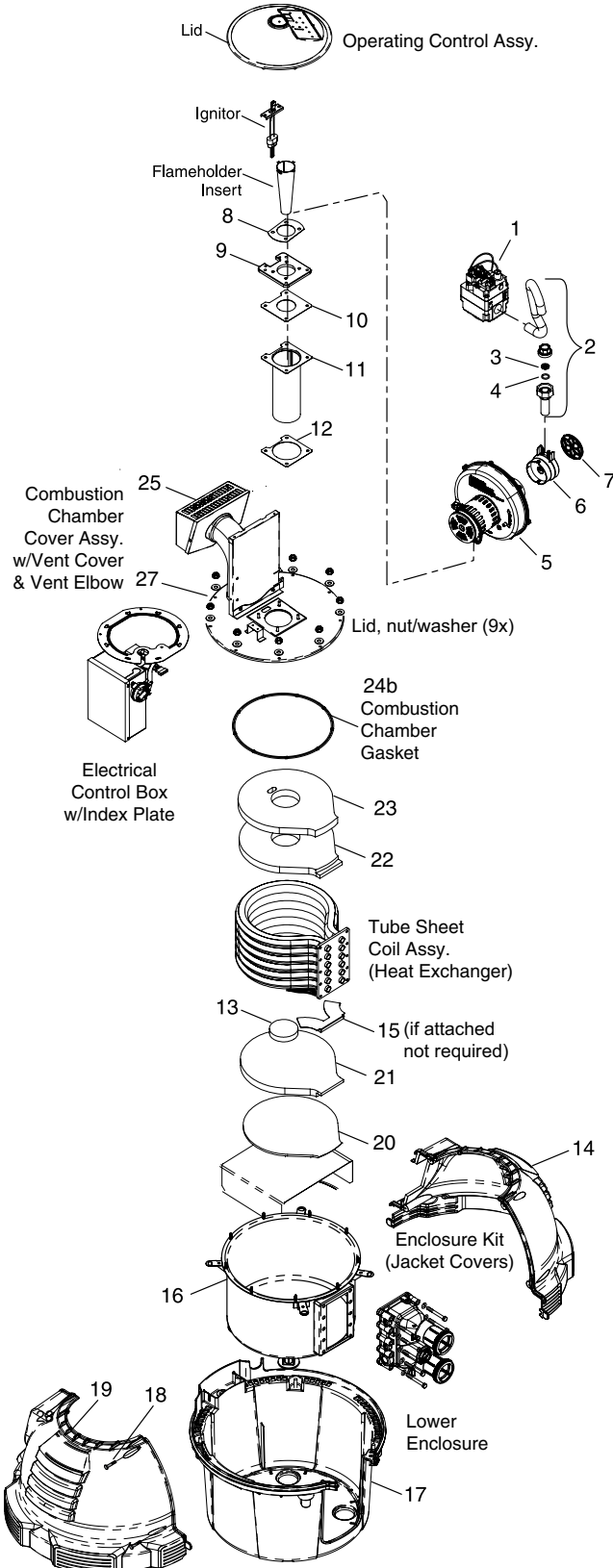
⁷ ASME or Local Code.

⁸ Qty. = Model 150 (2 ea.), 200 (3 ea.), 250 (4 ea.), 300 (5 ea.), 350 (6 ea.), 400 (7 ea.).

⁹ Previously Manufactured Model.

MAX-E-THERM® HEATER

BURNER SYSTEM REPLACEMENT PARTS



CALIFORNIA PROPOSITION 65 WARNING

⚠ **WARNING:** Cancer and Reproductive Harm.

⚠ **AVERTISSEMENT:** Peut Causer le Cancer et des Dommages au Système Reproducteur.

⚠ **ADVERTENCIA:** Cáncer y Daño Reproductivo.

www.p65warnings.ca.gov. PK2017A

Product on page 108–109.

MAX-E-THERM® HEATER (CONT'D)

BURNER SYSTEM REPLACEMENT PARTS



Item	Part No.	Description	US List	Can. List
MAX-E-THERM BURNER SYSTEM				
1	42001-0051S	Combination Gas Control Valve Kit	482.37	579.62
2	38404-4097S	3/4 in. Union	39.57	47.55
5	77707-0251	Air Blower Kit, Natural - 200NA Model (Single Volt Blower Adapter Included)	912.04	1095.91
5	77707-0252	Air Blower Kit, Natural - 333NA Model (Single Volt Blower Adapter Included)	912.04	1095.91
5	77707-0253	Air Blower Kit, Natural - 400NA Model (Single Volt Blower Adapter Included)	912.04	1095.91
5	77707-0254	Air Blower Kit, Propane - 200LP Model (Single Volt Blower Adapter Included)	912.04	1095.91
5	77707-0255	Air Blower Kit, Propane - 333LP Model (Single Volt Blower Adapter Included)	912.04	1095.91
5	77707-0256	Air Blower Kit, Propane - 400LP Model (Single Volt Blower Adapter Included)	912.04	1095.91
14	77707-0002	Enclosure Kit, Upper Right-Hand	240.02	288.41
16	474095	One Piece Metal Chamber/Combustion Chamber Assembly ²	752.05	903.66
16	474957	One Piece Metal Chamber/Combustion Chamber Assembly ¹	468.07	562.43
17	42001-0001S	Lower Enclosure	584.81	702.71
19	77707-3200N	Enclosure Kit, Upper Left-Hand – Natural (200)	250.12	300.54
19	77707-3333N	Enclosure Kit, Upper Left-Hand – Natural (333)	250.12	300.54
19	77707-3400N	Enclosure Kit, Upper Left-Hand – Natural (400)	250.12	300.54
19	77707-3200L	Enclosure Kit, Upper Left-Hand – Propane (200)	250.12	300.54
19	77707-3333L	Enclosure Kit, Upper Left-Hand – Propane (333)	250.12	300.54
19	77707-3400L	Enclosure Kit, Upper Left-Hand – Propane (400)	CALL	CALL
24a	474201	Combustion Chamber O-Ring Kit ²	53.52	64.31
24b	474952	Combustion Chamber O-Ring Kit ¹	50.12	60.22
27	474094	One Piece Metal Elbow/Combustion Chamber Cover Assembly ²	851.00	1022.56
27	474958	One Piece Metal Elbow/Combustion Chamber Cover Assembly ¹	532.89	640.32
28	42002-0005S	Metal Vent Cover	145.18	174.45
29	42001-0074S	Kit Lower Enclosure Insulation	60.83	73.09

Item	Part No.	Description	US List	Can. List
NOT SHOWN				
	77707-0431	Gas Orifice Kit – Natural - 200 Model (Incl. 3 & 4) *	60.39	72.56
	77707-0421	Gas Orifice Kit – Natural - 333 Model (Incl. 3 & 4) *	60.39	72.56
	77707-0411	Gas Orifice Kit – Natural - 400 Model (Incl. 3 & 4) *	60.39	72.56
	77707-0461	Gas Orifice Kit – Propane - 200 Model (Incl. 3 & 4) *	60.39	72.56
	77707-0451	Gas Orifice Kit – Propane - 333 Model (Incl. 3 & 4) *	60.39	72.56
	77707-0441	Gas Orifice Kit – Propane - 400 Model (Incl. 3 & 4) *	60.39	72.56
	77707-1461	NG to Propane Conversion Kit – 200 Model (Incl. 3 & 4) *	62.43	75.02
	77707-1451	NG to Propane Conversion Kit – 333 Model (Incl. 3 & 4) *	62.43	75.02
	77707-1441	NG to Propane Conversion Kit – 400 Model (Incl. 3 & 4) *	62.43	75.02
	77707-1431	Propane to NG Conversion Kit – 200 Model (Incl. 3 & 4) *	62.43	75.02
	77707-1421	Propane to NG Conversion Kit – 333 Model (Incl. 3 & 4) *	62.43	75.02
	77707-1411	Propane to NG Conversion Kit – 400 Model (Incl. 3 & 4) *	62.43	75.02
	77707-0111	Air Orifice Kit - (Incl. 6 & 7, 200 Model Only)	72.63	87.27
	77707-0112	Air Orifice Kit - (Incl. 6 & 7, 333 Model Only)	72.63	87.27
	77707-0113	Air Orifice Kit - (Incl. 6 & 7, 400 Model Only)	72.63	87.27
	77707-0011	Blower/Adapter Plate Gasket Kit - (Incl. 8, 9, 10, & 12)	71.54	85.96
	77707-0202	Flameholder Kit - 200 Model (Incl. 10, 11, 12 & 13)	169.98	204.25
	77707-0203	Flameholder Kit - 333 Model (Incl. 10, 11, 12, 13, & Flameholder Insert)	191.23	229.78
	77707-0204	Flameholder Kit - 400 Model (Incl. 10, 11, 12, 13, & Flameholder Insert)	223.09	268.06
	42001-0074S	Lower Enclosure Insulation	60.83	73.09
	77707-0008	Insulation Kit (Incl. 13, 15, 23, 24, 25, 26)	173.20	208.12
	77707-0112	Air Orifice Kit 333 Model	72.63	87.27
	77707-0113	Air Orifice Kit 400 Model	72.63	87.27

* Not included with heater. Order separately.

¹ For Heaters Manufactured after 11/16/13 (New 9-Bolt Lid Tub Design).

² For Heaters Manufactured after 1/12/09 (Clamp Lid Tub Design).

Note: Kits include Clamp assembly, O-ring and silicone tube.

CALIFORNIA PROPOSITION 65 WARNING

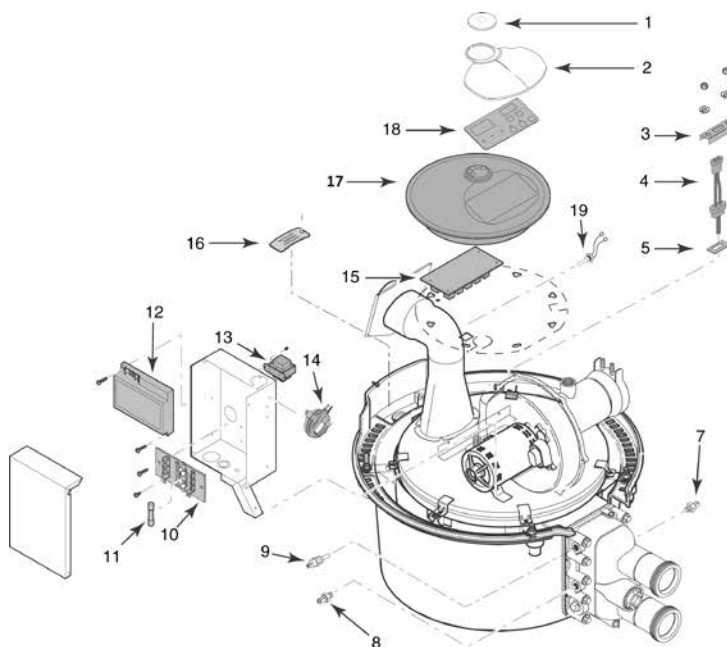
▲ **WARNING:** Cancer and Reproductive Harm.
▲ **AVERTISSEMENT:** Peut Causer le Cancer et des Dommages au Système Reproducteur.
▲ **ADVERTENCIA:** Cáncer y Daño Reproductivo.

www.p65warnings.ca.gov. PH020114



MAX-E-THERM® HEATER

ELECTRICAL SYSTEM REPLACEMENT PARTS



Item	Part No.	Description	Qty.	US List	Can. List
MAX-E-THERM ELECTRICAL SYSTEM					
1	77707-0009	Display Cover Retainer Cap Kit, Cap and CPSC Warning Label	1	79.17	95.13
2	42001-0008S	Heater Display Cover	1	44.50	53.47
3	42001-0030S	Igniter Bracket	1	59.36	71.33
4	77707-0054	Igniter/Igniter Gasket Kit (Incl. Key Nos. 4 and 5)	1	92.00	110.55
5	42001-0066S	Igniter Gasket	1	59.36	71.33
7	42002-0025S	Automatic Gas Shutoff Switch (AGS)	1	56.57	67.97
8	42001-0063S	High Limit Switch	1	68.78	82.65
9	42001-0053S	Thermistor	1	87.87	105.58
10	42001-0056S	Terminal Board	1	59.36	71.33
11	32850-0099	Fireman's Switch Fuse (1.25A, 1-1/4 in.)	1	8.31	9.99
12	42001-0052S	Ignition Control Module	1	368.88	443.25
13	42001-0107S	Transformer, 115/230V	1	75.03	90.16
13	42001-0057S	Transformer 120/240V, Single Adapter Only*	1	70.86	85.15
14	42001-0061S	Air Flow Switch	1	152.13	182.80

Item	Part No.	Description	Qty.	US List	Can. List
15	42002-0007S	Control Board Kit (NA, LP Series)	1	698.39	839.19
16	77707-0022	Junction Box Cover Kit	1	59.36	71.33
17	77707-0013	Enclosure for Control Board (Incl. #17, 18)	1	298.72	358.94
18	42002-0029Z	Switch Membrane Replacement	1	152.42	183.15
19	42002-0024S	Stack Flue Sensor	1	132.21	158.86
19b	42002-0009	Stack Flue Switch	1	CALL	CALL
NOT SHOWN					
	42001-0104S	Heater Wiring Harness - 115/230V	1	366.05	439.85
	42001-0105S	120/240 Volt Plug Kit	1	59.36	71.33
	42002-0009	Temp Probe		CALL	CALL
	42001-0057S	Transformer 120/240 (Dual and Single Adapter)	1	70.86	85.15
	42001-0247	Blower Adapter Dual/Single Volt	1	42.97	51.63

* For single voltage wire harness heaters prior to 2004.

CALIFORNIA PROPOSITION 65 WARNING
⚠️ WARNING: Cancer and Reproductive Harm.
⚠️ AVERTISSEMENT: Peut Causer le Cancer et des Dommages au Système Reproducteur.
⚠️ ADVERTENCIA: Cáncer y Daño Reproductivo.
www.p65warnings.ca.gov

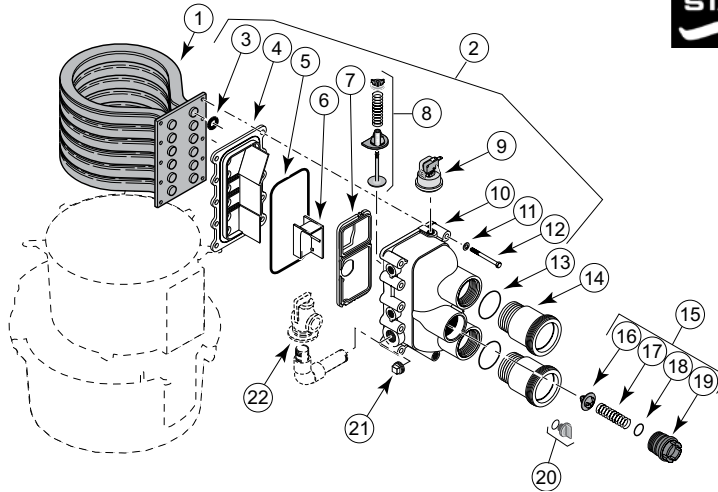
Product on page 108–109.

MAX-E-THERM® HEATER

WATER SYSTEM REPLACEMENT PARTS



CALIFORNIA PROPOSITION 65 WARNING
⚠️ WARNING: Cancer and Reproductive Harm.
⚠️ AVERTISSEMENT: Peut Causer le Cancer et des Dommages au Système Reproducteur.
⚠️ ADVERTENCIA: Cáncer y Daño Reproductivo.
www.p65warnings.ca.gov



Item	Part No.	Description	US List	Can. List
MAX-E-THERM WATER SYSTEM				
1	77707-0232	Tube Sheet Coil Assembly Kit (NA, LP Series) (Incl. No. 3) - 200 Models	962.12	1156.08
1	474058	Tube Sheet Coil Assembly Kit (NA, LP Series) (Incl. No. 3) - 200 Models ¹	1000.62	1202.34
1	77707-0233	Tube Sheet Coil Assembly Kit (NA, LP Series) (Incl. No. 3) - 333 Models	1346.96	1618.51
1	474060	Tube Sheet Coil Assembly Kit (NA, LP Series) (Incl. No. 3) - 333 Models ¹	1385.47	1664.78
1	77707-0234	Tube Sheet Coil Assembly Kit (NA, LP Series) (Incl. No. 3) - 400 Models	1500.90	1803.48
1	474061	Tube Sheet Coil Assembly Kit (NA, LP Series) (Incl. No. 3) - 400 Models ¹	1654.85	1988.47
1	77707-0242	Tube Sheet Coil Assembly Kit (HD Series) (Incl. No. 3) - 200 Models	1399.26	1681.35
1	474062	Tube Sheet Coil Assembly Kit (HD Series) (Incl. No. 3) - 200 Models ¹	1939.50	2330.50
1	77707-0243	Tube Sheet Coil Assembly Kit (HD Series) (Incl. No. 3) - 333 Models	2078.19	2497.15
1	474064	Tube Sheet Coil Assembly Kit (HD Series) (Incl. No. 3) - 333 Models ¹	2270.60	2728.35
1	77707-0244	Tube Sheet Coil Assembly Kit (HD Series) (Incl. No. 3) - 400 Models	2424.54	2913.33
1	474065	Tube Sheet Coil Assembly Kit (HD Series) (Incl. No. 3) - 400 Models ¹	2501.52	3005.83
2	77707-0014	Manifold Kit (Incl. Nos. 3-14, 20-21, and 7-9 in "Electrical System" (Page 300) - 200 Models	707.03	849.57
2	77707-0015	Manifold Kit (Incl. Nos. 3-14, 20-21, and 7-9 in "Electrical System" (Page 300) - 333 Models	707.03	849.57
2	77707-0016	Manifold Kit (Incl. Nos. 3-14, 20-21, and 7-9 in "Electrical System" (Page 300) - 400 Models	707.03	849.57
2	474200	Basic Manifold Kit (Incl. Nos. 3, 10-14)	225.58	271.06
3	77707-0117	Coil/Tubesheet Sealing O-Ring Kit - 200 Model (6)	59.36	71.33
3	77707-0118	Coil/Tubesheet Sealing O-Ring Kit - 333 Model (10)	59.36	71.33

Item	Part No.	Description	US List	Can. List
3	77707-0119	Coil/Tubesheet Sealing O-Ring Kit - 400 Model (12)	59.36	71.33
8	77707-0001	Manifold Bypass Valve Package	62.90	75.58
9	42001-0060S	Water Pressure Switch	90.80	109.11
13	U9-266	O-Ring	3.81	4.58
14	77707-0017	Connector Tube Kit (Includes 1 Connector Tube and 1 O-Ring)	60.33	72.49
15	77707-0010	Thermal Regulator Kit (Incl. Key 16-19 and Spring Clip)	114.92	138.09
16	38000-0007S	Thermal Regulator (Includes Spring Clip)	79.17	95.13
18	35505-1313	Thermal Regulator Cap O-ring (O-ring only)	5.06	6.08
20	U178-920P	Drain Plug	3.67	4.41
21	U78-60ZPS	3/4 in. Pipe Plug	6.99	8.40
22	473715Z	Kit Pressure Relief Valve	173.50	208.48
23	PKG 188Z	2 in. Union Adapter Package (includes 2)	33.51	40.27

ASME KITS				
	472648Z	Bypass Access Plug (Old Header Design ASME)	389.58	468.12
	77707-0120	O-Ring Kit (Incl. Nos. 3, 5)	48.32	58.06
	474096	Heat Exchanger Kit - 400 ASME ³	3272.89	3932.70
	474956	Heat Exchanger Kit ⁵ - 400 ASME	3272.89	3932.70
	460923	ASME Bypass Valve Kit ⁴ (Old Header Design)	338.67	406.95
	461007	ASME Bypass Valve Tool Kit ⁴ (Old Header Design)	205.25	246.63
	460924	Thermal Regulator Kit (incl. spring clip & install tools) (ASME) (Old Heater Design) ⁴	165.50	198.86
	460941	Heat Exchanger Kit - 250 ASME ²	CALL	CALL
	474097	Heat Exchanger Kit - 250 ASME ³	2941.94	3535.04

¹ For Heaters Manufactured after 1/12/09

³ For ASME Heaters Manufactured After 3/24/09 (Tub Design w/Clamp Ring).

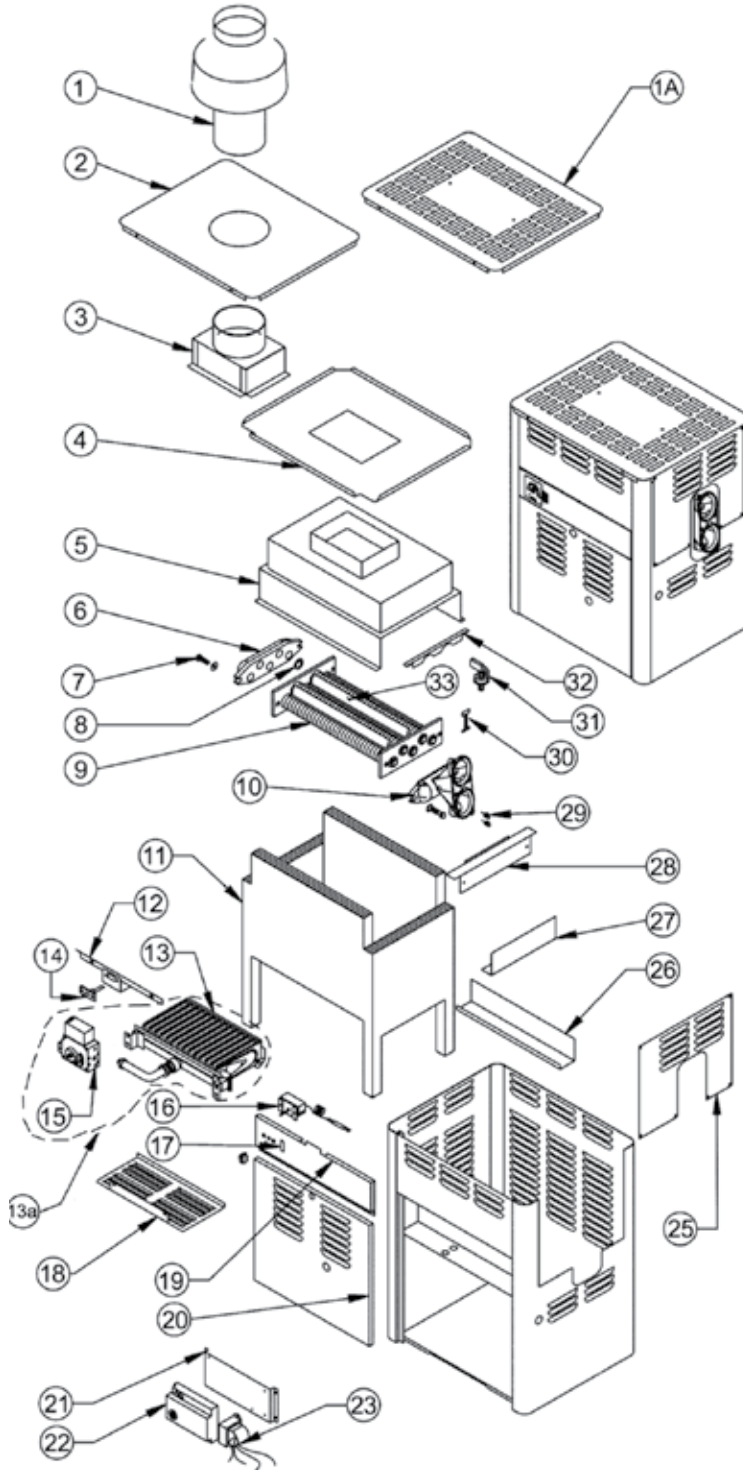
⁴ For ASME Heaters Manufactured Prior to 10/2012 (Old Header Design).

⁵ For ASME Heaters Manufactured After 11/16/13 (New 9-Bolt Tub Design).

Note: Kits include Clamp, O-rings, Insulation, Igniter and Blower Gaskets.

MINIMAX[®] 75 AND 100 HEATERS

REPLACEMENT PARTS



CALIFORNIA PROPOSITION 65 WARNING

⚠ **WARNING:** Cancer and Reproductive Harm.
 ⚠ **AVERTISSEMENT:** Peut Causer le Cancer
 et des Dommages au Système Reproducteur.
 ⚠ **ADVERTENCIA:** Cáncer y Daño Reproductivo.
www.p65warnings.ca.gov

MINIMAX® 75 AND 100 HEATERS (CONT'D)




REPLACEMENT PARTS

Item	Part No.	Description	Qty.	US List	Can. List
MINIMAX® 75 AND 100 HEATERS					
1	471187	Indoor draft hood kit ¹	1	CALL	CALL
1A	471213	Outdoor top	1	140.05	168.28
2	471075	Indoor top, cover ¹	1	92.32	110.93
3	471214	Indoor stack adapter ¹	1	CALL	CALL
4	471069	Middle top	1	68.04	81.76
5	471059	Flue collector	1	CALL	CALL
6	471096	Return header	1	78.24	94.01
7	471200	Bolt, 3/8 x 16 UNC x 3/4	4	1.56	1.87
8	070951	Rubber seal tube	10	1.60	1.92
9	471093	Heat exchanger less heads	1	524.09	629.75
10	471094	Main header, inlet/outlet	1	251.99	302.79
11	471061	Insulation, front	1	46.21	55.53
11	471062	Insulation, back	1	43.08	51.76
11	471063	Insulation, sides	1	32.83	39.45
12	471058	Ignitor electrode bracket	1	38.27	45.99
13	471122	Burner, natural gas	1	360.02	432.60
13	471136	Burner, propane gas	1	360.02	432.60
13	471850	Burner, 75, natural gas	1	CALL	CALL
13a	471219	Burner tray assembly, complete, natural gas, millivolt	1	1050.12	1261.82
13a	471236	Burner tray assembly, complete, propane, millivolt	1	CALL	CALL
13a	471076	Burner tray assembly, complete, natural gas, DSI	1	807.33	970.09
13a	471077	Burner tray assembly, complete, propane, DSI	1	807.33	970.09
14	471090	Ignitor electrode	1	54.82	65.87
15	471088	Gas valve, natural, DSI, w/ bracket	1	306.57	368.37
15	471089	Gas valve, propane, DSI, w/ bracket	1	306.57	368.37
15	471436	Gas valve-natural, millivolt,	1	374.09	449.51
15	471435	Gas valve, propane, millivolt,	1	374.09	449.51
16	471431	Electronic thermostat, direct spark models	1	170.29	204.62
16	072022	Thermostat, millivolt models	1	CALL	CALL
17	471128	On/off switch S.P.S.T.	1	8.35	10.03
18	471070	Heat shield burner tray	1	CALL	CALL
19	471078	Control panel assembly	1	293.71	352.92
20	471067	Door assembly	1	103.61	124.50
21	471159	Control bracket	1	CALL	CALL

¹ Indoor draft hood kit consisting of indoor draft hood (471198) and items 2 & 3.

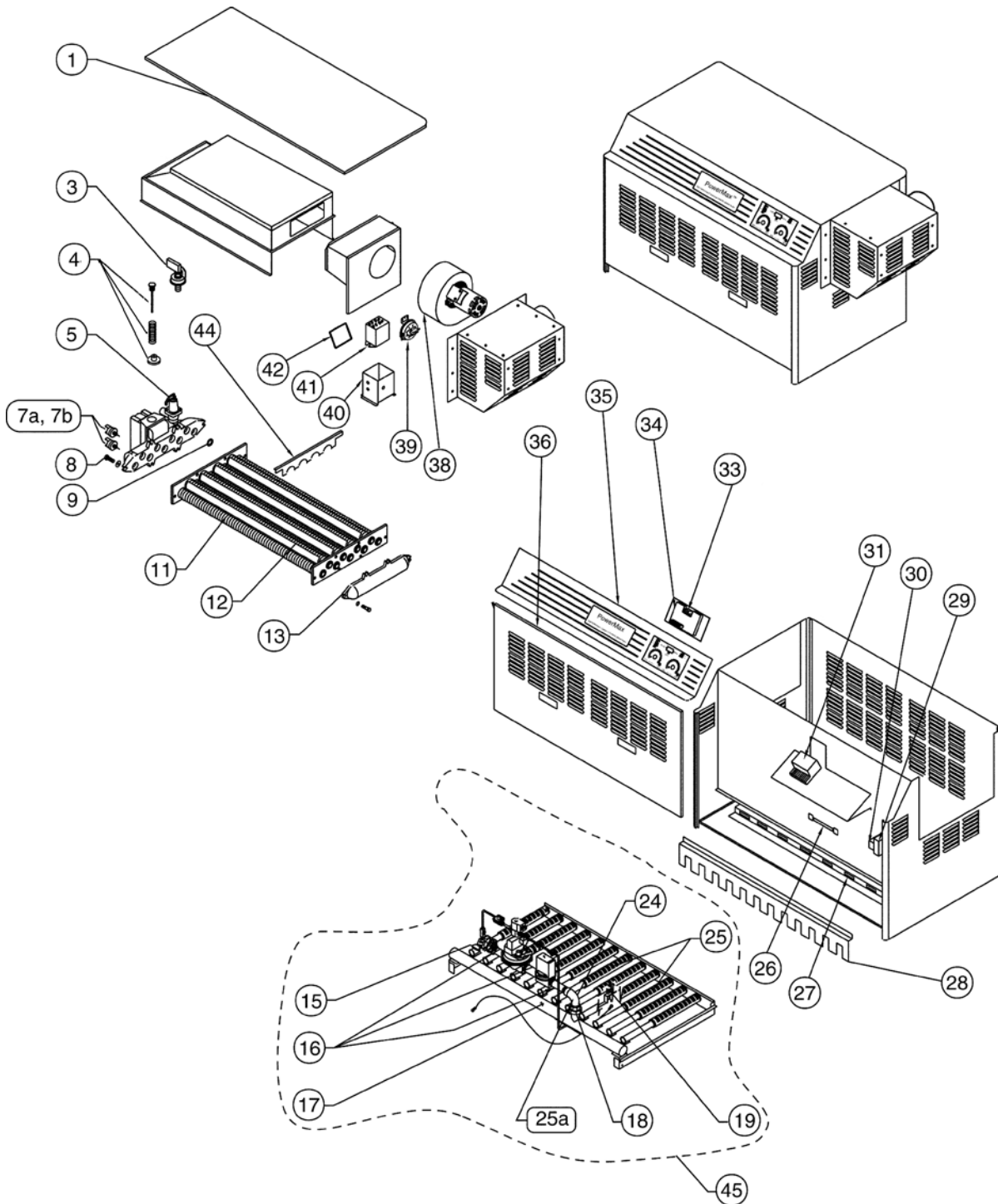
Item	Part No.	Description	Qty.	US List	Can. List
22	471091	Ignition control DSI	1	293.43	352.59
23	471360	Transformer w/ circuit MMX	1	81.99	98.52
25	471071	Inspection panel	1	23.25	27.94
26	471169	Burner tray back support	1	CALL	CALL
27	471166	Burner tray side support	2	CALL	CALL
28	471164	Heat exchanger support brackets	2	25.01	30.05
29	071017	Hi-limit safety switch	2	50.81	61.05
30	471095	Flow valve, assembly	1	106.49	127.96
31	471097	Pressure switch	1	49.71	59.73
32	471064	Baffle hold down bracket	1	11.31	13.59
33	471065	Flue baffle	4	6.78	8.15
NOT SHOWN					
	075173	Thermal cutoff, fusible link	1	23.65	28.42
	471292	Pilot natural gas, millivolt	1	73.21	87.97
	471291	Pilot propane, millivolt	1	73.21	87.97
	071515	Thermopile generator	1	118.57	142.47
	075284	Quick-flange kit for 2 in. slip connection	1	CALL	CALL
	471083	Quick-flange II kit for 1-1/2 in. thd. Connection	1	60.15	72.28
	471201	Kit wiring, MMX 100 millivolt	1	101.53	122.00
	471202	Kit wiring, MMX 100 DSI	1	119.41	143.48
	470184	Knob	1	14.20	17.06
	470414	Knob stopper	1	8.38	10.07
	075459	Presslite Piezo ignitor assembly, millivolt	1	22.46	26.99
	072136	Valve drain, 1/4 NPT	1	21.84	26.24
	471092	Hi-tension ignition cable	1	25.63	30.80
	070544	Rubber bushing, 2 in. i.d.	2	6.11	7.34
	471221	Pilot bracket/shield, millivolt		15.22	18.29
	471260	Manifold		38.05	45.72
	471138	Rod flow valve	1	17.84	21.44
	471139	Spring flow valve	1	7.86	9.44
	471140	Plug flow valve	1	36.02	43.28
	471141	Plunger flow valve	1	6.78	8.15
	076618	Pilot Tube		10.71	12.87
	075190	Break Away Fitting		6.78	8.15

CALIFORNIA PROPOSITION 65 WARNING

 **WARNING:** Cancer and Reproductive Harm.
 **AVERTISSEMENT:** Peut Causer le Cancer et des Dommages au Système Reproducteur.
 **ADVERTENCIA:** Cáncer y Daño Reproductivo.
www.p65warnings.ca.gov

POWERMAX® COMMERCIAL HEATER

MANUFACTURED PRIOR TO JULY 2006 - REPLACEMENT PARTS



CALIFORNIA PROPOSITION 65 WARNING

⚠ **WARNING:** Cancer and Reproductive Harm.
 ⚠ **AVERTISSEMENT:** Peut Causer le Cancer et des Dommages au Système Reproducteur.
 ⚠ **ADVERTENCIA:** Cáncer y Daño Reproductivo.
www.p65warnings.ca.gov

POWERMAX® COMMERCIAL HEATER (CONT'D)

MANUFACTURED PRIOR TO JULY 2006 - REPLACEMENT PARTS

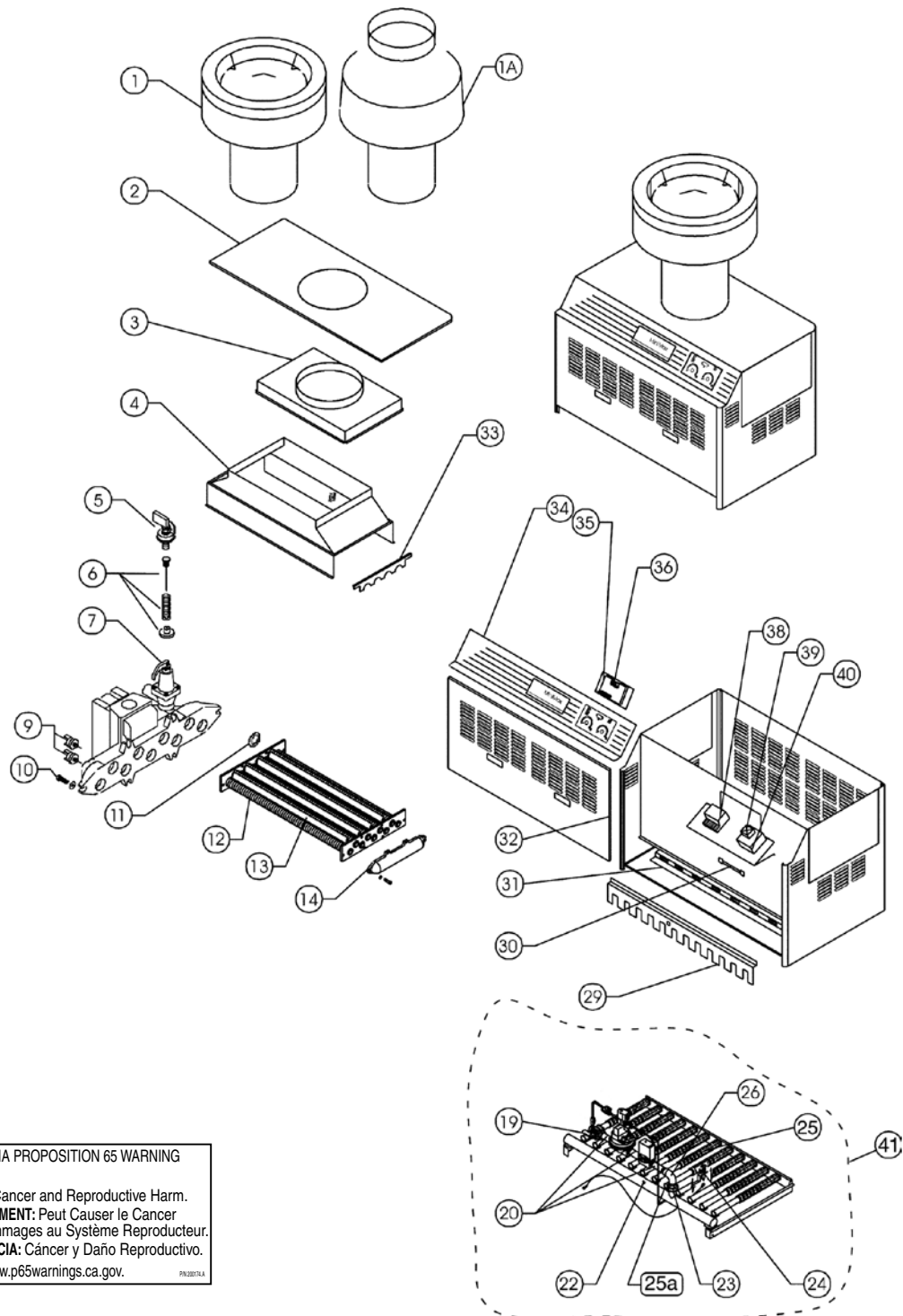
Item	Part No.	Description	US List	Can. List
POWERMAX® COMMERCIAL HEATER				
1	471310	Top cover (Model 900)	CALL	CALL
3	470190	Pressure switch	CALL	CALL
4	470747	Flow valve assembly (Model 525)	CALL	CALL
4	471114	Flow valve assembly (Model 750)	CALL	CALL
4	471115	Flow valve assembly (Model 900)	CALL	CALL
5	470768	Pressure relief valve	CALL	CALL
7a	071017	Hi-limit switch, 150° shut-off	50.81	61.05
7b	471175	Hi-limit switch, 135° shut-off	80.48	96.70
8	470966	Bolts	28.12	33.79
9	470742	Rubber seal	6.30	7.57
10	470979	Combustion chamber (Model 900)	CALL	CALL
11	470735	Heat Exchanger Assembly (Model 525)	CALL	CALL
11	470736	Heat exchanger assembly (Model 750)	CALL	CALL
11	470737	Heat exchanger assembly (Model 900)	CALL	CALL
12	470645	Baffle (Model 525)	29.57	35.53
12	470646	Baffle (Model 750)	27.55	33.10
13	470646	Baffle (Model 900)	27.55	33.10
14	470745	Return header	CALL	CALL
14	470772	Pilot manual valve (Model 900)	CALL	CALL
15	470773	Main shut-off valve	CALL	CALL
17	470653	Manifold (Model 750)	CALL	CALL
19	471204	Pilot Q3451B1178 natural	131.45	157.95
19	471205	Pilot Q3451B1236 propane	131.45	157.95
20	470771	Pilot regulator (Model 900)	140.27	168.55
21	470770	Pilot valve (Model 900)	363.54	436.83
22	470688	Gas valve solenoid 900 (Model 900)	CALL	CALL
22	470688	Gas valve natural (Model 525 & 750)	CALL	CALL
22	470892	Gas valve propane (Model 525 & 750)	CALL	CALL
23	470687	Gas valve diaphragm natural (Model 900)	1038.27	1247.59
25	471537	Burner alternate comm	133.92	160.92
25a	471545	Burner w/ pilot bracket (Model 525)	CALL	CALL

Item	Part No.	Description	US List	Can. List
26	075173	Thermal cut-off	23.65	28.42
28	470792	Retainer shield (Model 525)	50.01	60.09
28	470794	Retainer shield (Model 900)	CALL	CALL
29	471426	Junction box	43.59	52.38
30	471571	Transformer	95.08	114.25
31	073584	Module IID S8600F natural	366.52	440.41
31	073585	Module IID S8600H propane	378.53	454.84
33	470186	Rocker switch	13.92	16.73
34	470179	Thermostat board	243.86	293.02
35	470753	Control panel (Model 525)	CALL	CALL
35	470754	Control panel (Model 750)	CALL	CALL
35	470755	Control panel (Model 900)	752.68	904.42
38	471313	Blower (Model 525)	CALL	CALL
38	471314	Blower (Model 750 & 900)	CALL	CALL
39	471428	Air pressure switch	CALL	CALL
40	470331	Blower control box	CALL	CALL
41	470010	Relay	CALL	CALL
44	470799	Baffles hold down	31.67	38.05
45	470648	Burner tray assembly natural (Model 525)	CALL	CALL
45	470649	Burner tray assembly natural (Model 750)	CALL	CALL
45	470650	Burner tray assembly natural (Model 900)	CALL	CALL
45	470669	Burner tray assembly propane (Model 750)	CALL	CALL
NOT SHOWN				
	470180	Thermistor (probe) complete	50.85	61.10
	470181	Stem, thermostat control	6.11	7.34
	470184	Knob, thermostat	14.20	17.06

CALIFORNIA PROPOSITION 65 WARNING
 ⚠️ WARNING: Cancer and Reproductive Harm.
 ⚠️ AVERTISSEMENT: Peut Causer le Cancer et des Dommages au Système Reproducteur.
 ⚠️ ADVERTENCIA: Cáncer y Daño Reproductivo.
www.p65warnings.ca.gov PA20231A

MINIMAX® COMMERCIAL HEATER

MANUFACTURED PRIOR TO JULY 2006 - REPLACEMENT PARTS



CALIFORNIA PROPOSITION 65 WARNING

▲ **WARNING:** Cancer and Reproductive Harm.
 ▲ **AVERTISSEMENT:** Peut Causer le Cancer et des Dommages au Système Reproducteur.
 ▲ **ADVERTENCIA:** Cáncer y Daño Reproductivo.
www.p65warnings.ca.gov

In January 1996, the circuit boards for MiniMax Heaters were changed at the terminals by request of the American National Standard Institute (ANSI) and the American Gas Association (A.G.A.), the two approval agencies for the manufacturing of gas heaters in the United States. If you have a heater manufactured before January 1, 1996 and you receive a newer circuit board with the smaller terminals and the older thermistor has larger connectors, the larger connectors can be crimped so they will fit tight on the newer circuit board terminals, contact a Pool Service Professional for details.

MINIMAX® COMMERCIAL HEATER (CONT'D)

REPLACEMENT PARTS

Item	Description	Part No.	US List	Can. List
MINIMAX® COMMERCIAL HEATER				
1	Outdoor vent cap kit * (Model 525)	460226	1782.32	2141.64
1	Outdoor vent cap kit * (Model 750)	460318	2279.70	2739.29
1	Outdoor vent cap kit * (Model 900)	460319	CALL	CALL
1A	Indoor draft hood kit * (Model 525)	460321	CALL	CALL
1A	Indoor draft hood kit * (Model 750)	460320	CALL	CALL
1A	Indoor draft hood kit * (Model 900)	460234	CALL	CALL
5	Pressure switch	470190	CALL	CALL
6	Flow valve assembly (Model 525)	470747	CALL	CALL
6	Flow valve assembly (Model 750)	471114	CALL	CALL
6	Flow valve assembly (Model 900)	471115	CALL	CALL
7	Pressure relief valve (Model 525)	470768	50.81	61.05
9	Hi-limit switch (Model 525)	071017	28.12	33.79
10	Bolts (Model 525)	470966	6.30	7.57
11	Rubber seal (Model 525)	470742	CALL	CALL
12	Heat exchanger assembly (Model 525)	470735	CALL	CALL
12	Heat exchanger assembly (Model 750)	470736	CALL	CALL
12	Heat exchanger assembly (Model 900)	470737	29.57	35.53
13	Baffle (Model 525)	470645	27.55	33.10
13	Baffle (Model 750)	470646	28.70	34.49
13	Baffle (Model 900)	470647	CALL	CALL
14	Return header	470745	363.54	436.83
16	Pilot valve (Model 900)	470770	140.27	168.55
17	Pilot regulator natural (Model 900)	470771	CALL	CALL
18	Pilot manual valve (Model 900)	470772	CALL	CALL
19	Main shut-off valve	470773	CALL	CALL
22	Manifold (Model 750)	470653	131.45	157.95
24	Pilot Q345A2816 natural	471204	131.45	157.95
24	Pilot Q345A2824 propane	471205	133.92	160.92
25	Burner, 525 -7 req., 750 - 10 req., 900 - 12 req.	471537	CALL	CALL
25A	Burner w/ pilot bracket	471545	1038.27	1247.59
27	Gas valve diaphragm natural (Model 900)	470687	992.12	1192.13

Item	Description	Part No.	US List	Can. List
28	Gas valve solenoid 900 (Model 900)	470688	CALL	CALL
28	Gas valve natural (Model 525 & 750)	470891	CALL	CALL
28	Gas valve propane (Model 525 & 750)	470892	CALL	CALL
29	Retainer shield (Model 525)	470792	50.01	60.09
29	Retainer shield (Model 900)	470794	CALL	CALL
30	Thermal cut-off	075173	23.65	28.42
33	Baffle hold down	470799	31.67	38.05
34	Control panel (Model 525)	470753	CALL	CALL
34	Control panel (Model 750)	470754	CALL	CALL
34	Control panel (Model 900)	470755	752.68	904.42
35	Thermostat board	470179	243.86	293.02
36	Rocker switch	470186	13.92	16.73
38	Module IID S8600F natural	073584	366.52	440.41
38	Module IID S8600H propane	073585	378.53	454.84
39	Transformer	471571	95.08	114.25
40	Junction box	471426	43.59	52.38
41	Burner tray assembly natural (Model 525)	470648	CALL	CALL
41	Burner tray assembly natural (Model 750)	470649	CALL	CALL
41	Burner tray assembly propane (Model 750)	470669	CALL	CALL
41	Burner tray assembly natural (Model 900)	470650	CALL	CALL
NOT SHOWN				
	Drain valve	072134	32.85	39.47
	Thermistor (probe) complete	470180	50.85	61.10
	Stem, thermostat control	470181	6.11	7.34
	Knob, thermostat	470184	14.20	17.06

* Choice of one vent kit, item No. 1 or No. 1A, provided at no charge with initial commercial heater purchase.

** Item No. 21, hi-tension wire, is now part of pilot assembly, item No. 24.

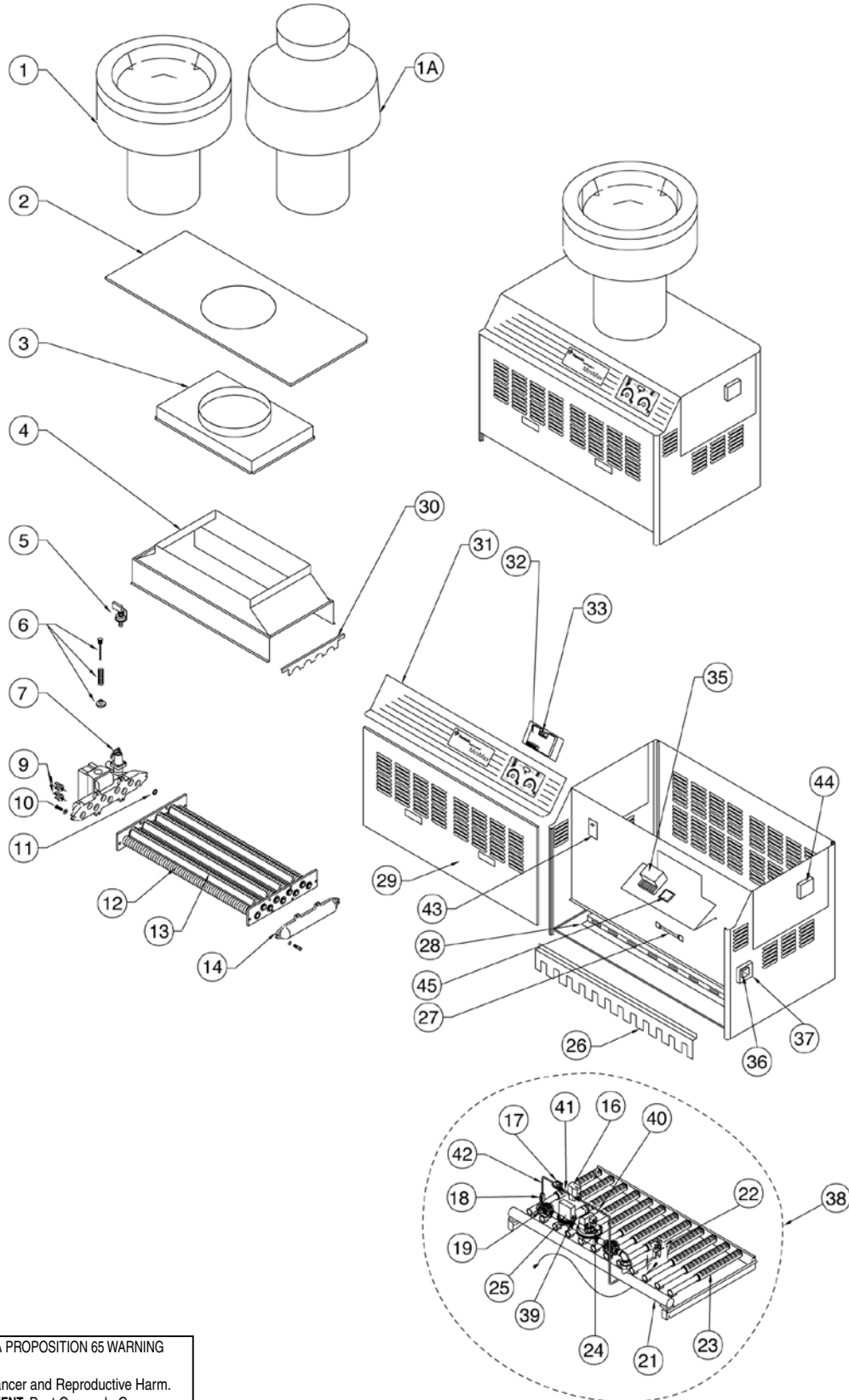
CALIFORNIA PROPOSITION 65 WARNING

WARNING: Cancer and Reproductive Harm.
AVERTISSEMENT: Peut Causer le Cancer et des Dommages au Système Reproducteur.
ADVERTENCIA: Cáncer y Daño Reproductivo.

www.p65warnings.ca.gov. PH202114

MINIMAX[®] COMMERCIAL HEATER, W/ CSD-1 CONTROLS

REPLACEMENT PARTS



CALIFORNIA PROPOSITION 65 WARNING

⚠ **WARNING:** Cancer and Reproductive Harm.
 ⚠ **AVERTISSEMENT:** Peut Causer le Cancer et des Dommages au Système Reproducteur.
 ⚠ **ADVERTENCIA:** Cáncer y Daño Reproductivo.
www.p65warnings.ca.gov

PH 201714

MINIMAX® COMMERCIAL HEATER, W/ CSD-1 CONTROLS (CONT'D)

REPLACEMENT PARTS

Item	Description	Part No.	US List	Can. List
MINIMAX COMMERCIAL HEATER WITH CSD-1 CONTROLS				
1	Outdoor vent cap kit (Model 525) ¹	460226	CALL	CALL
1	Outdoor vent cap kit (Model 750) ¹	460318	1782.32	2141.64
1	Outdoor vent cap kit (Model 900) ¹	460319	2279.70	2739.29
1A	Indoor draft hood kit (Model 750) ¹	460320	CALL	CALL
1A	Indoor draft hood kit (Model 525) ¹	460321	CALL	CALL
5	Pressure switch	470190	CALL	CALL
6	Flow valve assembly (Model 525)	470747	CALL	CALL
6	Flow valve assembly (Model 750)	471114	CALL	CALL
6	Flow valve assembly (Model 900)	471115	CALL	CALL
7	Pressure relief valve	470768	CALL	CALL
	Hi-Limit switch	071017	50.81	61.05
10	Bolts	470742	6.30	7.57
11	Rubber Seal	470735	CALL	CALL
12	Heat exchange assembly (Model 525)	470736	CALL	CALL
12	Heat exchange assembly (Model 750)	470737	CALL	CALL
12	Heat exchange assembly (Model 900)	470645	29.57	35.53
13	Baffle (Model 525)	470646	27.55	33.10
13	Baffle (Model 750)	470646	27.55	33.10
13	Baffle (Model 900)	470647	28.70	34.49
14	Return header	470745	CALL	CALL
16	Pilot valve	470770	363.54	436.83
17	Pilot regulator natural	470771	140.27	168.55
18	Pilot manual valve	470772	CALL	CALL
19	Main shut-off valve	470773	CALL	CALL
21	Manifold (Model 750)	470653	CALL	CALL
22	Pilot Q3451B1178 natural	471204	131.45	157.95
22	Pilot Q3451B1236 propane	471205	131.45	157.95
23	Burner, qty. 7	471537	133.92	160.92
23a	Burner w/ pilot bracket	471545	CALL	CALL
24	Gas valve diaphragm natural	470687	1038.27	1247.59
25	Gas valve solenoid	470688	CALL	CALL
26	Retainer shield (Model 525)	470792	50.01	60.09

Item	Description	Part No.	US List	Can. List
26	Retainer shield (Model 900)	470794	CALL	CALL
27	Thermal cut-off	075173	23.65	28.42
30	Baffle hold down	470799	31.67	38.05
31	Control panel (Model 525)	470753	CALL	CALL
31	Control panel (Model 750)	470754	CALL	CALL
31	Control panel (Model 900)	470755	752.68	904.42
32	Thermostat board	470179	243.86	293.02
33	Rocker switch	470186	13.92	16.73
35	Module IID S8600F natural/propane	472339	CALL	CALL
36	Transformer	471571	95.08	114.25
37	J-box	471426	43.59	52.38
38	Burner tray assembly natural (Model 525)	470648	CALL	CALL
38	Burner tray assembly natural (Model 750)	470649	CALL	CALL
38	Burner tray assembly natural (Model 900)	470650	CALL	CALL
38	Burner tray assembly propane (Model 750)	470669	CALL	CALL
43	High limit control	472334	CALL	CALL
44	Low water cut-off	472337	CALL	CALL
45	Lock-out control	472338	CALL	CALL

¹ Choice of one vent kit, item No. 1 or No. 1A, provided at no charge with initial commercial heater purchase.

* Hi-tension wire is now part of pilot assembly, item No. 22.

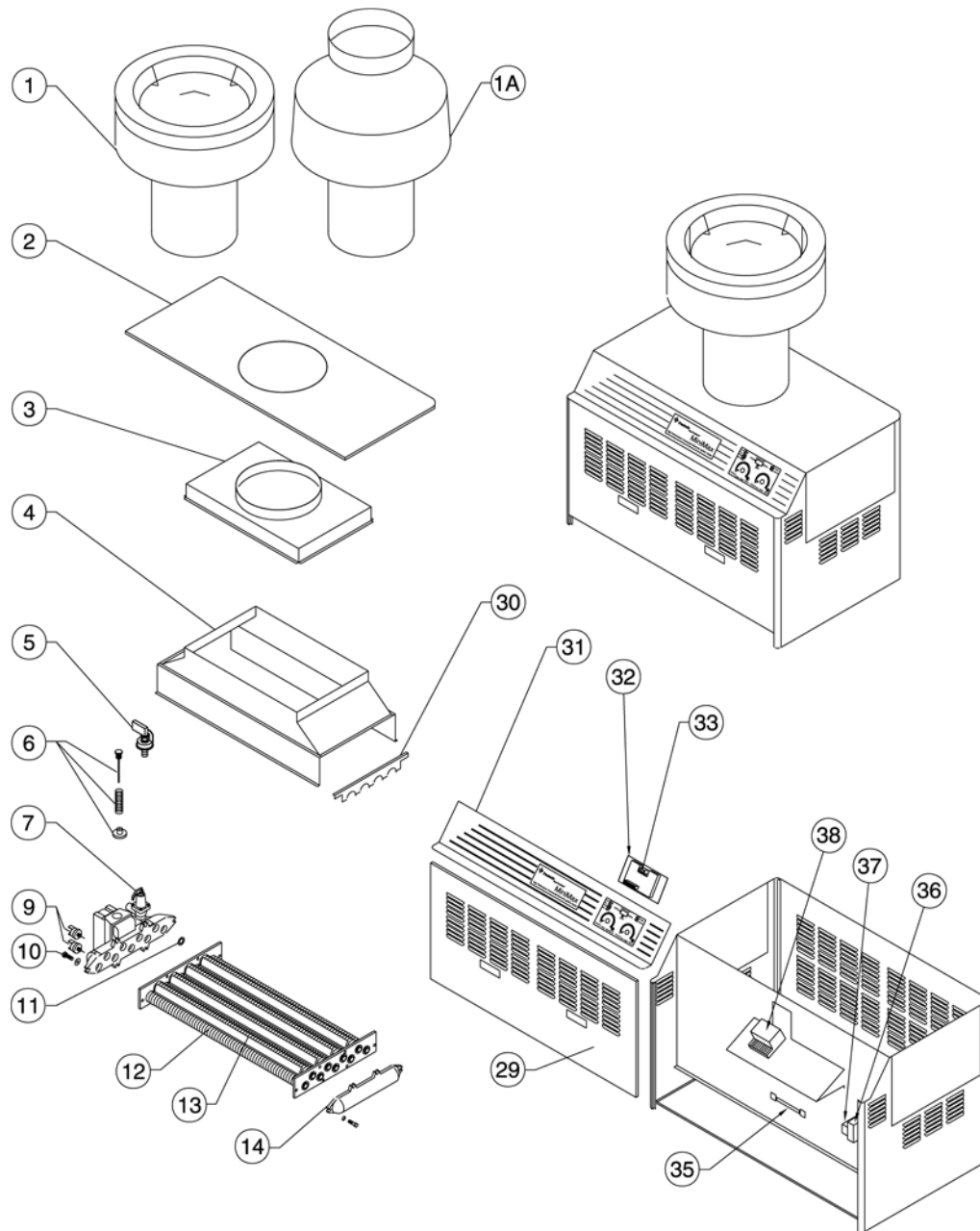
CALIFORNIA PROPOSITION 65 WARNING

WARNING: Cancer and Reproductive Harm.
AVERTISSEMENT: Peut Causer le Cancer et des Dommages au Système Reproducteur.
ADVERTENCIA: Cáncer y Daño Reproductivo.

www.p65warnings.ca.gov
PR-202174

MINIMAX® COMMERCIAL LOW NOX HEATER

REPLACEMENT PARTS



CALIFORNIA PROPOSITION 65 WARNING

⚠ **WARNING:** Cancer and Reproductive Harm.
 ⚠ **AVERTISSEMENT:** Peut Causer le Cancer et des Dommages au Système Reproducteur.
 ⚠ **ADVERTENCIA:** Cáncer y Daño Reproductivo.
www.p65warnings.ca.gov

PK32075A

MINIMAX® COMMERCIAL LOW NOX HEATER (CONT'D)

REPLACEMENT PARTS

Item	Description	Part No.	US List	Can. List
MINIMAX® COMMERCIAL LOW NOX HEATER				
1	Outdoor vent cap kit (Model 525) ¹	460226	CALL	CALL
1	Outdoor vent cap kit (Model 750) ¹	460318	1782.32	2141.64
1	Outdoor vent cap kit (Model 900) ¹	460319	2279.70	2739.29
1A	Indoor draft hood kit (Model 525) ¹	460321	CALL	CALL
1A	Indoor draft hood kit (Model 750) ¹	460320	CALL	CALL
1A	Indoor draft hood kit (Model 900) ¹	460234	CALL	CALL
5	Pressure switch	470190	CALL	CALL
6	Flow valve assembly (Model 525)	470747	CALL	CALL
6	Flow valve assembly (Model 750)	471114	CALL	CALL
6	Flow valve assembly (Model 900)	471115	CALL	CALL
7	Pressure relief valve (Model 525)	470768	CALL	CALL
9	Hi-limit switch	071017	50.81	61.05
10	Bolts	470966	28.12	33.79
11	Rubber seal	470742	6.30	7.57
12	Heat exchanger assembly (Model 525)	470735	CALL	CALL
12	Heat exchanger assembly (Model 750)	470736	CALL	CALL
12	Heat exchanger assembly (Model 900)	470737	CALL	CALL
13	Baffle (Model 525)	470645	29.57	35.53
13	Baffle (Model 750)	470646	27.55	33.10
13	Baffle (Model 900)	470647	28.70	34.49
14	Return header	470745	CALL	CALL
16	Low gas pressure switch	471506	308.09	370.20
17	Gas valve diaphragm natural (Model 525 & 750)	471501	CALL	CALL
17	Gas valve diaphragm natural (Model 900)	471500	CALL	CALL
18	Main shutoff valve	470773	CALL	CALL
19	Gas valve solenoid (Model 900)	470688	CALL	CALL
22	Gas & air manifold assembly (Model 750)	471473	CALL	CALL
23	Air supply pipe	471498	28.65	34.43

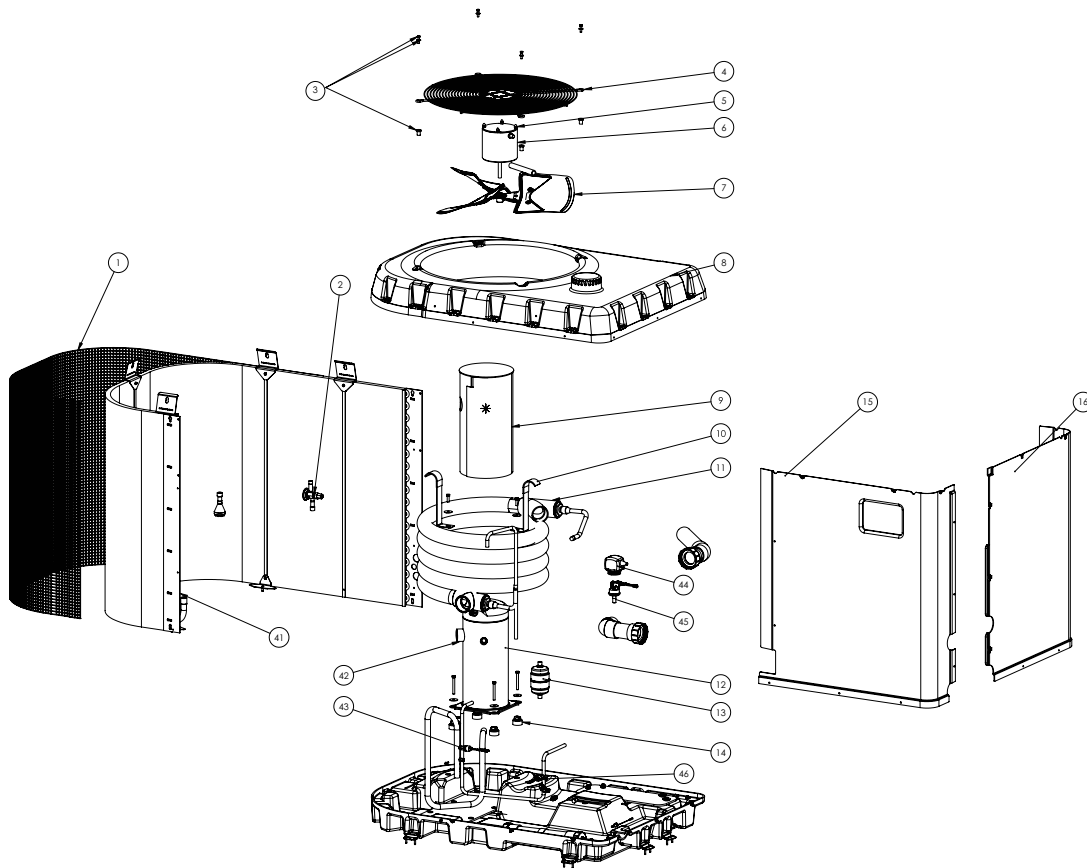
Item	Description	Part No.	US List	Can. List
24	Blower	471481	CALL	CALL
25	Hot surface ignition	471491	137.64	165.39
26	OVO burner, qty. 7	471471	131.29	157.76
27	Remote sense electrode	473483	CALL	CALL
30	Baffles hold down	470799	31.67	38.05
31	Control panel (Model 525)	470753	CALL	CALL
31	Control panel (Model 750)	470754	CALL	CALL
31	Control panel (Model 900)	470755	752.68	904.42
32	Thermostat board	470179	243.86	293.02
33	Rocker switch	470186	13.92	16.73
35	Thermal cut-off	075173	23.65	28.42
36	J-box	471426	43.59	52.38
37	Transformer	471571	95.08	114.25
38	Ignition module	471492	CALL	CALL
39	Burner tray assembly (Model 525)	471482	CALL	CALL
39	Burner tray assembly (Model 750)	471483	CALL	CALL
39	Burner tray assembly (Model 900)	471484	CALL	CALL

¹ Choice of one vent kit, item No. 1 or No. 1A, provided at no charge with initial commercial heater purchase.

CALIFORNIA PROPOSITION 65 WARNING
 ⚠️ WARNING: Cancer and Reproductive Harm.
 ⚠️ AVERTISSEMENT: Peut Causer le Cancer et des Dommages au Système Reproducteur.
 ⚠️ ADVERTENCIA: Cáncer y Daño Reproductivo.
www.p65warnings.ca.gov P65-2017-14

ULTRATEMP ETi® HEATER

HIGH PERFORMANCE HYBRID HEATER



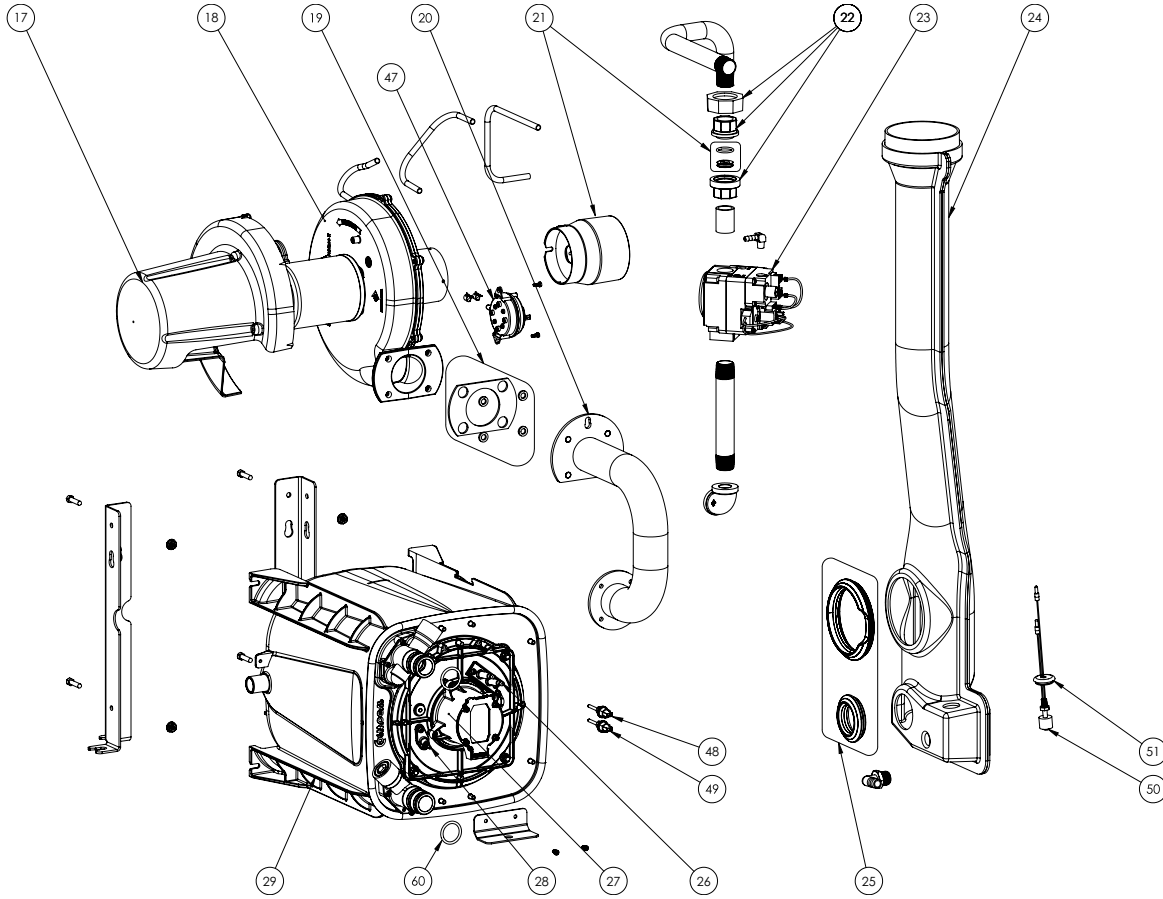
Item	Part No.	Description	Qty.	US List	Can. List
ULTRATEMP 220 ETi REFRIGERATION SYSTEM					
1	473054Z	Coil Guard	1	208.54	250.58
2	476105	Thermostatic Expansion Valve	1	CALL	CALL
3	470441	Fan Guard Fastener Kit	1	8.80	10.57
4	473786	Fan Guard	1	176.58	212.18
5	470439	Nut, #10-32 SS Acorn	1	5.74	6.90
6	474030Z	Fan Motor with Acorn Nut Kit	1	596.53	716.79
7	473783	Fan Blade	1	203.07	244.01
8	475938Z	Hybrid Lid Almond	1	445.38	535.17
8	476068Z	Hybrid Lid Black	1	445.38	535.17
9	475231Z	Compressor Blanket	1	CALL	CALL
10	475949Z	Titanium Heat Exchanger	1	CALL	CALL
11	475948Z	Titanium Heat Exchanger Tie Down Bracket	1	43.35	52.09

Item	Part No.	Description	Qty.	US List	Can. List
12	473735Z	Compressor, ZP70		2680.30	3220.65
13	473121	Drier Single Direction	1	106.42	127.87
14	473736	Compressor Isolation Kit	1	30.87	37.09
15	475939Z	Control/HP Panel Almond		CALL	CALL
15	476069Z	Control/HP Panel Black		CALL	CALL
16	475940Z	Gas Panel Almond		272.01	326.85
16	476070Z	Gas Panel Black		272.01	326.85

CALIFORNIA PROPOSITION 65 WARNING
 ⚠️ **WARNING:** Cancer and Reproductive Harm.
 ⚠️ **AVERTISSEMENT:** Peut Causer le Cancer et des Dommages au Système Reproducteur.
 ⚠️ **ADVERTENCIA:** Cáncer y Daño Reproductivo.
www.p65warnings.ca.gov PHS2017A

ULTRATEMP ETi® HEATER (CONT'D)

HIGH PERFORMANCE HYBRID HEATER



Item	Part No.	Description	Qty.	US List	Can. List
ULTRATEMP 220 ETi GAS SYSTEM					
17	475918	Blower Shield Cap	1	CALL	CALL
18	476000	Blower	1	275.98	331.62
19		Air Manifold to Blower Gasket Kit	1		
20	475899	Air Manifold	1	CALL	CALL
21		Orifice Kit, Natural Gas	1		
21		Orifice Kit, Propane	1		
22	38404-4097S	3/4 in. Union	1	39.57	47.55
23	476104Z	Gas Valve	1	CALL	CALL
24	475900Z	Exhaust	1	843.03	1012.98
25		Exhaust Gasket Kit (2 Pieces)	1		
26	476081Z	Gas Engine Spark Electrodes	1	142.47	171.19
27	475898	Burner Assembly, 110000 BTU/hr	1	CALL	CALL
28	462023	Flame Sensor		CALL	CALL
29	475897Z	TitanTough Heat Exchanger, 110000 BTU/hr	1	CALL	CALL

Item	Part No.	Description	Qty.	US List	Can. List
ULTRATEMP 220 ETi GAS SYSTEM					
*		Gas Heat Exchanger Gasket Service Kit	1		
*		Gas Heat Exchanger Hardware Kit	1		
*		Pressure Relief Valve Kit	1		
	475954	Condensate Neutralizer Kit		CALL	CALL

* Not shown

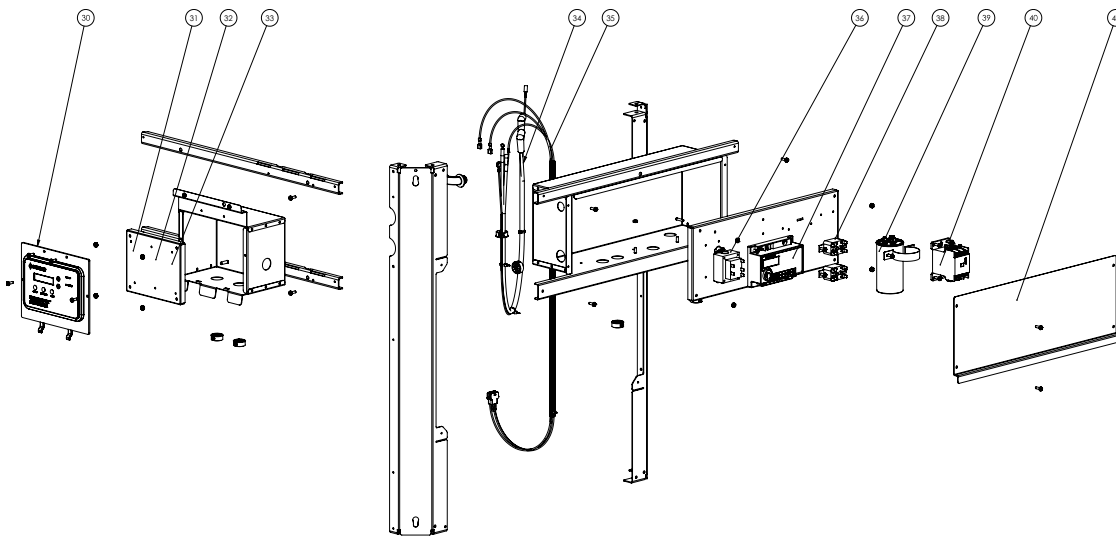
CALIFORNIA PROPOSITION 65 WARNING

⚠ **WARNING:** Cancer and Reproductive Harm.
 ⚠ **AVERTISSEMENT:** Peut Causer le Cancer et des Dommages au Système Reproducteur.
 ⚠ **ADVERTENCIA:** Cáncer y Daño Reproductivo.

www.p65warnings.ca.gov. PHL201714A

ULTRATEMP ETi® HEATER (CONT'D)

HIGH PERFORMANCE HYBRID HEATER



Item	Part No.	Description	Qty.	US List	Can. List
ULTRATEMP 220 ETi ELECTRICAL SYSTEM					
30	475957 475958	Bezel, Control Board, and Label Kit	1	CALL	CALL
31	475928	Wire Harness, Gas Inputs	1	CALL	CALL
32	475929	Wire Harness, Heat Pump Inputs	1	CALL	CALL
33	475930	Wire Harness, Outputs	1	CALL	CALL
34	475926	Wire Harness, Spark Plugs	1	CALL	CALL
35	475931	Wire Harness, Gas Blower	1	CALL	CALL
36	473155	Transformer	1	182.14	218.86
37	475933	Ignition Control Module	1	CALL	CALL
38	473150	Relay, Fan and Gas	1	124.64	149.77
39	473121	Dual Capacitor	1	106.42	127.87
40	473778	Contacting Compressor/ Input Power	1	496.39	596.46
41	473665	Probe Thermistor, Defrost Sensor	1	49.09	58.99
41	475905Z	Cover Panel, High Voltage Box		98.64	118.53
42	474237	Compressor Harness Clip	1	9.59	11.52
43	473656	Switch, Low Refrigerant Pressure	1	128.59	154.51
44	473606	Water Pressure Switch Boot	1	7.45	8.95

Item	Part No.	Description	Qty.	US List	Can. List
45	475956	Water Pressure Switch	1	CALL	CALL
46	473744	Switch, High Refrigerant Pressure		104.97	126.13
47	42001-0059	Air Pressure Switch		CALL	CALL
48	475316	Thermal Fuse		CALL	CALL
49	475294	Stack Flue Sensor		CALL	CALL
50	475901	Condensate Float Switch	1	CALL	CALL
51	475911	Condensate Float Switch Bushing	1	CALL	CALL
52	42002-0025S	Switch, Automatic Gas Shutoff, 140° F		56.57	67.97
53	475955	Switch, High Limit, 127° F		CALL	CALL
54	471566	Probe, Thermistor Water Temperature		57.87	69.54
*	475927	Wire Harness, High Voltage		CALL	CALL
*	475932	Compressor Harness, Hybrid		CALL	CALL

¹ Not shown

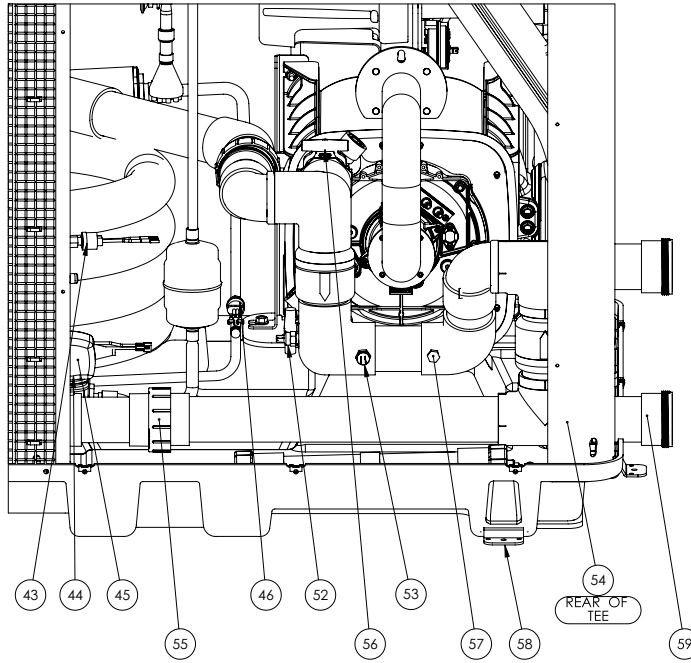
CALIFORNIA PROPOSITION 65 WARNING

⚠ **WARNING:** Cancer and Reproductive Harm.
 ⚠ **AVERTISSEMENT:** Peut Causer le Cancer et des Dommages au Système Reproducteur.
 ⚠ **ADVERTENCIA:** Cáncer y Daño Reproductivo.

www.p65warnings.ca.gov. PH20217A

ULTRATEMP ETi® HEATER (CONT'D)

HIGH PERFORMANCE HYBRID HEATER



Item	Part No.	Description	Qty.	US List	Can. List
ULTRATEMP 220 ETi PLUMBING/MISC.					
55	473381	Union PVC 2in	1	31.34	37.66
56	475953	QRC Clip	1	CALL	CALL
57	475918	Drain Plug (1/4 NPT)	1	CALL	CALL
58	475950	Hurricane Tie Down Straps	1	CALL	CALL
59	476032	Water Management Assembly	1	CALL	CALL
60	475912	Gas Engine Brass Ftg O-ring, -215 Silicone	1	CALL	CALL
*	470284	Nut, J Clip (Base)	1	3.45	4.15
*	470281	Nut, U Clip (Panels)	1	2.88	3.46
*	470159	Panel Screws, Phillips, Almond	1	1.45	1.74
*	470161	Lid Bracket Scews, Square Drive, Almond	1	1.45	1.74
*		Union/Tie Down Kit (Includes 8X Item 58 and 2X Item 55)	1		

¹ Not shown

CALIFORNIA PROPOSITION 65 WARNING

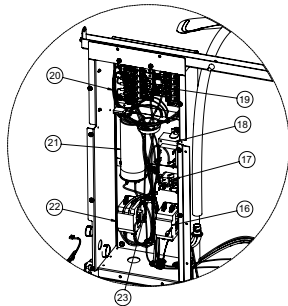
⚠ **WARNING:** Cancer and Reproductive Harm.
 ⚠ **AVERTISSEMENT:** Peut Causer le Cancer et des Dommages au Système Reproducteur.
 ⚠ **ADVERTENCIA:** Cáncer y Daño Reproductivo.

www.p65warnings.ca.gov
P182817A

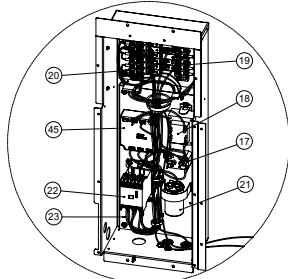
ULTRATEMP® HEAT PUMP

460928, 460929, 460930, 460931, 460932, 460933, 460934, 460935, 460936, 460937,
460938, 460958, 460959, 460960, 460961, 460962, 460963, 460964, 460965, 460967

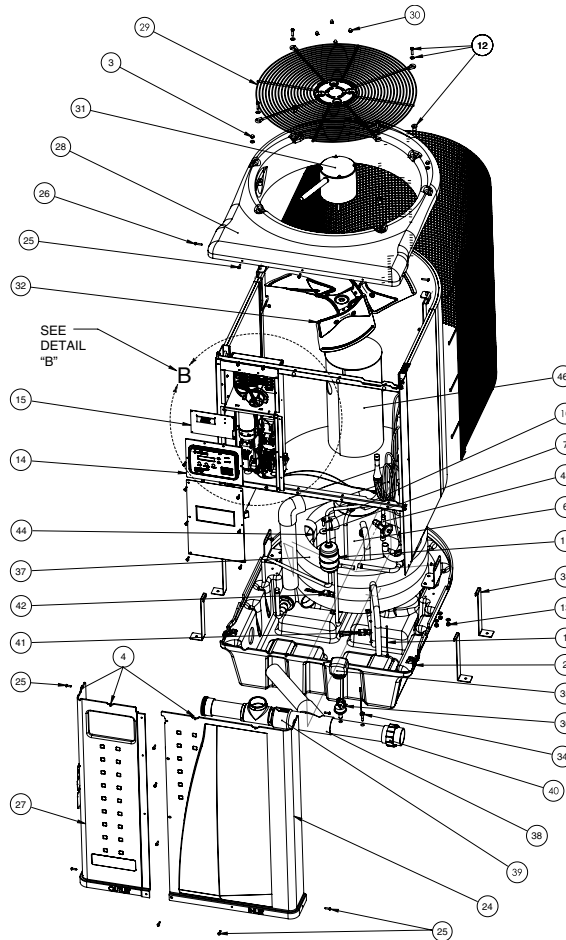
REPLACEMENT PARTS



DETAIL B - Single Phase



DETAIL B - Three Phase



CALIFORNIA PROPOSITION 65 WARNING
 ⚠️ WARNING: Cancer and Reproductive Harm.
 ⚠️ AVERTISSEMENT: Peut Causer le Cancer et des Dommages au Système Reproducteur.
 ⚠️ ADVERTENCIA: Cáncer y Daño Reproductivo.
www.p65warnings.ca.gov PH201714A

Item	Part No.	Description	US List	Can. List
ULTRATEMP REPLACEMENT PARTS				
1	473665	PROBE THERMISTOR DEFROST SENSOR	49.09	58.99
2	470284	NUT, J-CLIP	3.45	4.15
3	473285	NUT, 1/4-20 SS ACORN	1.45	1.74
4	470281	NUT, U-CLIP	2.88	3.46
5	473732	WIRE HARNESS, COMPRESSOR (1PH-60HZ)	108.77	130.70
5	474009	WIRE HARNESS, COMPRESSOR (1PH-50HZ)	113.53	136.42
5	474010	WIRE HARNESS, COMPRESSOR (3-PHASE MODELS)	113.03	135.82
6	473734Z	COMPRESSOR, SCROLL ZP83 (MODEL 120, 120HC, 140, 140 HC)	3019.84	3628.64
6	473735Z	COMPRESSOR, SCROLL ZP70 (MODEL 110)	2680.30	3220.65
6	474011Z	COMPRESSOR KIT, SCROLL ZP83 (3-PHASE MODEL 120C, 140C ONLY)	2992.10	3595.31
6	474241Z	COMPRESSOR SCROLL ZP61 (MODEL 90)	2434.38	2925.15
6	474291Z	COMPRESSOR SCROLL ZP49 (MODEL 70)	2076.39	2494.99
7	473295	FENDER WASHER	1.45	1.74
8	473736	COMPRESSOR ISOLATION KIT, GROMMET AND SPACER 1 SET	30.87	37.09
9	473745	BOLT 5/16-18 x 2 in. SS	5.02	6.03
10	98219800	BOLT 5/16-18 x 1 in. SS	1.69	2.03
11	473121	DRIER (ALL MODELS EXCEPT 120HC, 140HC)	106.42	127.87
11	473139	DRIER (MODEL 120HC, 140HC)	316.17	379.91
12	470441	FAN GUARD FASTENER KIT	8.80	10.57

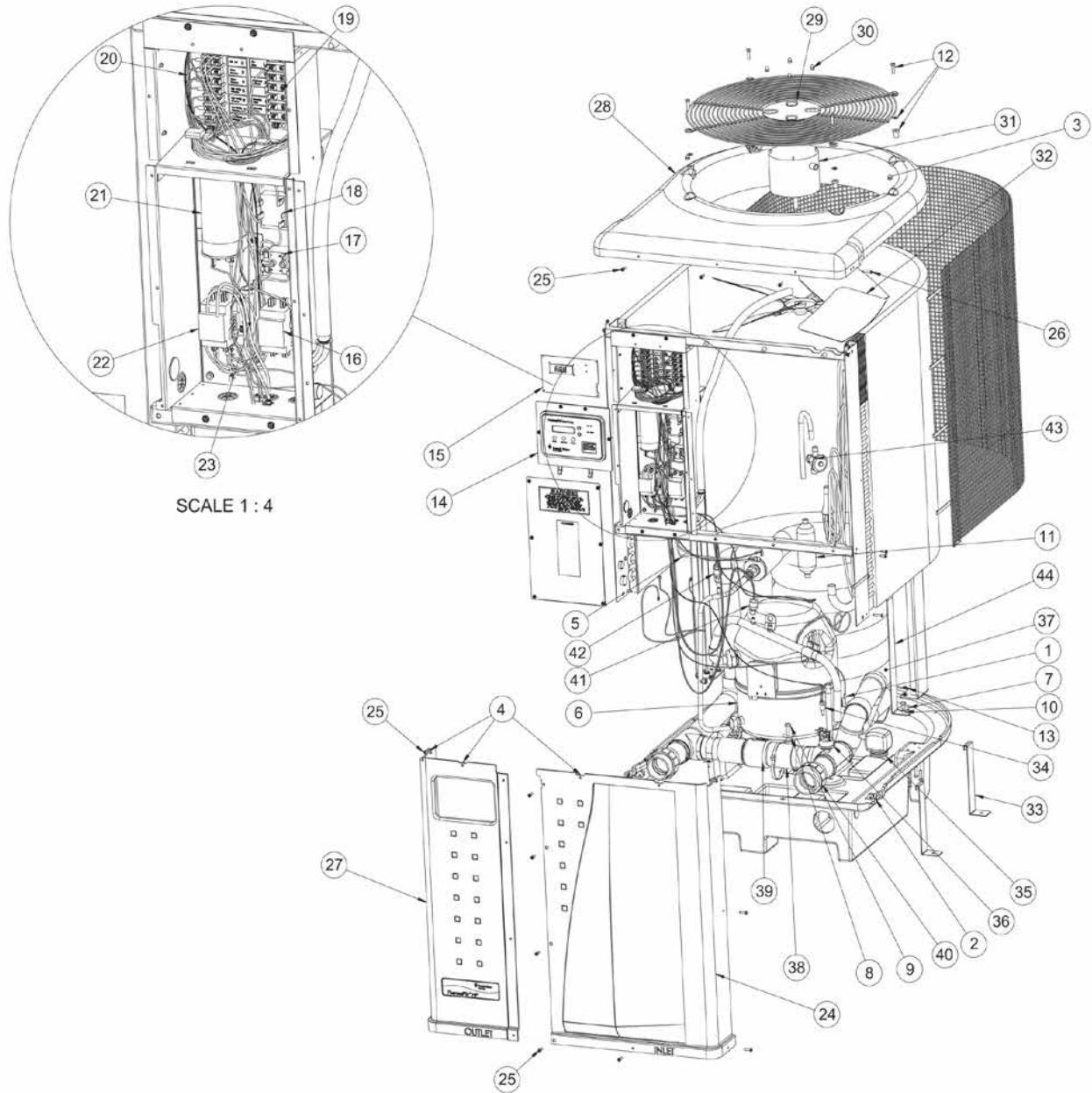
ULTRATEMP® HEAT PUMP (CONT'D)

Item	Part No.	Description	US List	Can. List	Item	Part No.	Description	US List	Can. List
13	071406	NUT, 1/4-20 HEX SS	1.69	2.03	33	470137	TIE DOWN BRACKET	22.22	26.70
14/15	472734	BEZEL, CONTRL BOARD & LABEL KIT	490.98	589.96	34	471566	PROBE THERMISTER - WATER TEMPERATURE	57.87	69.54
16	473603	PUMP CONTACTOR AUTOHEAT (MODEL 70, 90, 110, 120, 120HC, 140, 140HC)	66.61	80.04	35	473606	WATER PRESSURE SWITCH BOOT	7.45	8.95
17	473150	FAN RELAY	124.64	149.77	36	473605	WATER PRESSURE SWITCH	85.14	102.30
17	474016	FAN RELAY (3PH-50HZ ONLY)	134.68	161.83	37	473992	TITANIUM HEAT EXCHANGER (FOR ALL MODELS BUILT PRIOR TO JAN 2017, EXCEPT MODELS 1001, 901, 90, 70)	3540.66	4254.46
18	473155	TRANSFORMER	182.14	218.86	37	472736	TITANIUM HEAT EXCHANGER (FOR MODELS 1001 & 90 ONLY, UNITS BUILT PRIOR TO JAN 2017)	3538.68	4252.08
18	473790	TRANSFORMER (3PH-50HZ ONLY)	192.44	231.24	37	472737	TITANIUM HEAT EXCHANGER (FOR MODELS 70 & 901 ONLY, UNITS BUILT PRIOR TO JAN 2017)	3112.26	3739.69
19	473422	WIRE HARNESS TERMINAL BLOCK-FAN, COMPRESSOR	93.82	112.73	37	475193Z	TITANIUM HEAT EXCHANGER (FOR ALL MODELS EXCEPT 70, UNITS BUILT AFTER JAN 2017)	2606.85	3132.39
20	473315	WIRE HARNESS, TERMINAL BLOCK-SENSORS	114.56	137.66	37	475219Z	TITANIUM HEAT EXCHANGER (FOR MODEL 70 ONLY, UNITS BUILT AFTER JAN 2017)	2453.50	2948.13
21	473731	CAPACITOR (MODEL 70, 90, 110, 120, 120HC, 140, 140HC ONLY)	105.55	126.83	38	473774Z	WATER BYPASS MANIFOLD W/ 2 STREET ELBOWS (PRIOR TO JAN. 2017)	544.74	654.56
21	473154	CAPACITOR (3-PHASE MODEL 120C, 140C ONLY)	67.24	80.80	38	475176Z	WATER MANIFOLD BYPASS KIT	391.02	469.85
21	470146	CAPACITOR (MODEL 100I)	92.55	111.21	39	R172305	WATER BYPASS CHECK VALVE	CALL	CALL
22	473149	CONTACTOR, HEAT PUMP (ALL SINGLE PHASE MODELS PRIOR TO 12/2014)	193.54	232.56	40	473381	UNION PVC 2 in.	31.34	37.66
22	473778	CONTACTOR, HEAT PUMP (3-PHASE MODELS; ALL SINGLE PHASE MODELS POST 2014)	496.39	596.46	41	473656	SWITCH, LOW PRESSURE	128.59	154.51
23	473423	WIRE HARNESS, MAIN (ALL SINGLE PHASE MODELS PRIOR TO 12/2014)	90.85	109.17	42	473744	SWITCH, HIGH PRESSURE	104.97	126.13
23	475112	WIRE HARNESS, MAIN (ALL SINGLE PHASE MODELS)	90.83	109.14	43	473787	THERMOSTATIC EXPANSION VALVE (MODEL 120, 120C, 90I)	276.79	332.59
23	474021	WIRE HARNESS, MAIN (3-PHASE MODEL 120C, 140C ONLY)	165.44	198.79	43	473999	THERMOSTATIC EXPANSION VALVE (MODEL 120HC, 110)	276.79	332.59
23	474031	WIRE HARNESS, MAIN (3-PHASE MODEL 90I ONLY)	173.20	208.12	43	474248	THERMOSTATIC EXPANSION VALVE (MODEL 100I)	276.78	332.58
24	473742	PANEL, FRONT RIGHT, 36 in. ALMD.	265.19	318.65	43	474242	THERMOSTATIC EXPANSION VALVE (MODEL 70, 90)	CALL	CALL
24	474194	PANEL, FRONT RIGHT, 36 in. BLACK	265.19	318.65	43	474327	THERMOSTATIC EXPANSION VALVE (MODELS 140, 140HC)	278.06	334.12
24	473431	PANEL, FRONT RIGHT (MODEL 100I ONLY)	258.99	311.20	44	473657	TITANIUM WATER COIL TIE DOWN STRAP (2 ON MODEL 70, 90I, 1 ON MODEL 90 & 100I) (PRIOR TO JAN. 2017)	39.73	47.74
24	473412	PANEL, FRONT RIGHT (MODEL 70, 90, 90I ONLY)	227.39	273.23	44	473772	TITANIUM WATER COIL TIE DOWN STRAP (1 ON ALL MODELS EXCEPT MODEL 90I) (PRIOR TO JAN. 2017)	57.69	69.32
24	474265	PANEL, FRONT RIGHT (MODEL 70 BLACK, 90 BLACK)	CALL	CALL	44	473789	TITANIUM WATER COIL TIE DOWN STRAP (1 ON ALL MODELS EXCEPT MODELS 90, 90I & 100I) (PRIOR TO JAN. 2017)	87.98	105.72
25	470159	SCREW #10 x .75 in. PAN HEAD PHILLIPS, ALMOND HEAD	1.45	1.74	44	475194	TITANIUM WATER COIL TIE DOWN, RIGHT SIDE	31.29	37.60
25	474198	SCREW #10 x .75 in. PAN HEAD PHILLIPS, BLACK HEAD	1.45	1.74	44	475195	TITANIUM WATER COIL TIE DOWN, LEFT SIDE	31.29	37.60
26	470161	SCREW #10 x 1 in. BUTTON HEAD TORX, ALMOND HEAD	1.45	1.74	45	474089	PHASE MONITOR	277.67	333.65
26	474197	SCREW #10 x 1 in. BUTTON HEAD TORX, BLACK HEAD	1.45	1.74	46	475231Z	COMPRESSOR BLANKET	CALL	CALL
27	473755	PANEL, FRONT LEFT, W/ DECAL	280.53	337.08	NOT SHOWN				
27	474196	PANEL, FRONT LEFT, W/ DECAL, 36 in. BLACK	280.53	337.08	473135		REVERSING VALVE (Model 120HC, 140HC) HEAT COOL ONLY	CALL	CALL
27	474202	PANEL, FRONT LEFT, W/ DECAL (MODEL 100I ONLY), 36 in.	273.56	328.71	473432		REVERSING SOLENOID (Model 120HC, 140HC) HEAT COOL ONLY	234.10	281.29
27	474203	PANEL, FRONT LEFT, W/ DECAL (MODEL 70, 90, AND 90I ONLY)	257.40	309.29	474270Z		TITANIUM COIL WATER SIDE REPAIR KIT (FOR HEAT EXCHANGER BUILT PRIOR TO JAN. 2017)	107.40	129.05
27	474267	PANEL, FRONT LEFT, W/ DECAL, 24 in. BLACK	257.39	309.28	474237		COMPRESSOR HARNESS CLIP	9.59	11.52
28	473773	HP TOP	480.22	577.03	461030Z		WATER UNION & TIE DOWN KIT	81.82	98.31
28	474193	HP TOP, BLACK	480.22	577.03	474321		3 in. RECEIVER (Model 140, 140HC)	260.66	313.21
29	473786	GUARD, FAN	176.58	212.18	473054Z		COIL GUARD	208.54	250.58
30	470439	NUT, #10-32 SS ACORN	5.74	6.90	475232		MALE HOSE BARB 5/8" X 1/2" NPT	6.26	7.52
31	473785	FAN MOTOR W/ ACORN NUT KIT	430.88	517.75	472409		CoreMax Valve Core	CALL	CALL
31	474030Z	FAN MOTOR W/ ACORN NUT KIT (MODEL 90I ONLY)	596.53	716.79	071426		O-ring for Union	1.77	2.13
31	474323Z	FAN MOTOR W/ACORN NUT KIT (MODEL140 & 140HC ONLY)	451.67	542.73					
32	473783	FAN BLADE (60 Hz)	203.07	244.01					
32	474230	FAN BLADE (50 Hz)	203.07	244.01					
32	474322	FAN BLADE (MODELS 140 & 140HC ONLY)	203.07	244.01					

THERMALFLO™ HEAT PUMP TITANIUM

460912, 460913, 460914, 460915, & 460922

REPLACEMENT PARTS



SCALE 1 : 4

CALIFORNIA PROPOSITION 65 WARNING
 ⚠️ **WARNING:** Cancer and Reproductive Harm.
 ⚠️ **AVERTISSEMENT:** Peut Causer le Cancer et des Dommages au Système Reproducteur.
 ⚠️ **ADVERTENCIA:** Cáncer y Daño Reproductivo.
www.p65warnings.ca.gov PH 201514

THERMALFLO™ HEAT PUMP TITANIUM (CONT'D)

REPLACEMENT PARTS

Item	Part No.	Description	US List	Can. List
THERMALFLO HP TITANIUM				
1	473665	Probe Thermister Defrost Sensor	49.09	58.99
2	470284	Nut, J-Clip	3.45	4.15
3	473285	Nut, 1/4-20 SS Acorn	1.45	1.74
4	470281	Nut, U-Clip	2.88	3.46
5	470147	Wire Harness, Compressor	18.20	21.87
6	473024Z	Compressor, Trane GH633-LL1-G (Model # 500, 700, 900)	2871.96	3450.95
6	473025Z	Compressor, Trane GH673-LL1-G (Model # 1200, 1200R)	CALL	CALL
7	473295	Fender Washer	1.45	1.74
8	473026	Compressor Isolation kit, Grommet and Spacer (1 Set)	24.39	29.31
9	473294	Bolt 5/16-18 x 1-3/4 in. SS	1.45	1.74
10	98219800	Bolt 5/16-18 x 1 in. SS	1.69	2.03
11	473121	Drier (Model # 500, 700, 900, 1200)	106.42	127.87
11	473139	Drier, Reversible (Model # 1200R)	316.17	379.91
12	470441	Fan Guard Fastener Kit	8.80	10.57
13	071406	Nut, 1/4-20 Hex SS	1.69	2.03
14	473693	Bezel, Control Board w/ Label	196.39	235.98
15	472734	Control Board Assembly	490.98	589.96
16	473603	Pump Contactor AutoHeat	66.61	80.04
17	473150	Fan Relay	124.64	149.77
18	473155	Transformer	182.14	218.86
19	473422	Wire Harness Terminal Block - Fan, Compressor	93.82	112.73
20	473315	Wire Harness, Terminal Block - Sensors	114.56	137.66
21	470146	Capacitor	92.55	111.21
22	473149	Contactor, Heat Pump	193.54	232.56
23	473423	Wire Harness, Main	90.85	109.17
24	473412	Panel, Front Right (Model# 500, 700)	227.39	273.23
24	473431	Panel, Front Right (Model# 900, 1200, 1200R)	258.99	311.20
25	470159	Screw #10 x 3/4 in. Pan Head Phillips, Almond Head	1.45	1.74
26	470161	Screw #10 x 1 in. Button Head Torx, Almond Head	1.45	1.74
27	470419	Panel, Front Left, w/ Decal (Model# 500, 700)	CALL	CALL

Item	Part No.	Description	US List	Can. List
27	470434	Panel, Front Left, w/ Decal (Model# 900, 1200, 1200R)	CALL	CALL
28	473134	HP Top	707.72	850.40
29	473368	Guard, Fan	128.41	154.30
30	470439	Nut, 10-32 SS Acorn	5.74	6.90
31	470289	Fan Motor w/ Acorn nut Kit	326.36	392.15
32	473223	Fan Blade	270.01	324.44
33	470137	Tie Down Bracket	22.22	26.70
34	471566	Probe Thermister - Water Temperature	57.87	69.54
35	473606	Water Pressure Switch Boot	7.45	8.95
36	473605	Water Pressure Switch	85.14	102.30
37	472737	Titanium Heat Exchanger (Model# 500)	3112.26	3739.69
37	472736	Titanium Heat Exchanger (Model# 700, 900, 1200, 1200R)	3538.68	4252.08
38	473774Z	Water Bypass Manifold ¹	544.74	654.56
39	R172305	Water Bypass Check Valve	CALL	CALL
40	473381	Union PVC 2 in.	31.34	37.66
41	473656	Switch, Low Pressure	128.59	154.51
42	473655	Switch, High Pressure	128.59	154.51
43	472735	Thermostatic Expansion Valve	262.57	315.50
44	473657	Titanium Water Coil Tie Down Strap	39.73	47.74
NOT SHOWN				
	473135	Reversing Valve (Model # 1200R)	CALL	CALL
	473432	Reversing Solenoid (Model # 1200R) ²	234.10	281.29
	473034	RotoLock Lo Side with Gasket	101.38	121.82
	473035	RotoLock Hi Side with Gasket	101.38	121.82

¹ For units manufactured after 7/1/09.

² For units manufactured after 2005.
(Use PN 473136 for units manufactured before 2005).

CALIFORNIA PROPOSITION 65 WARNING

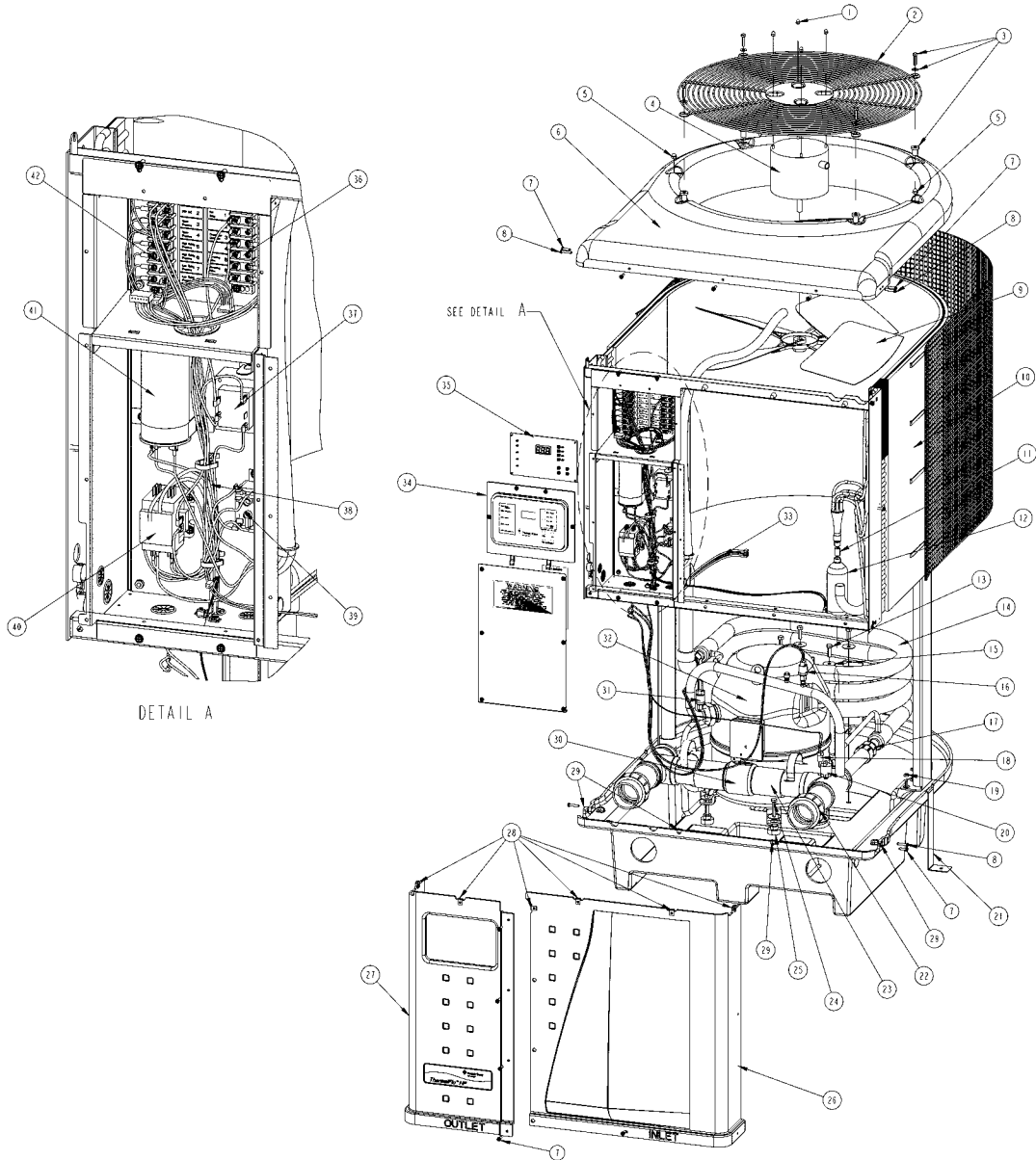
▲ **WARNING:** Cancer and Reproductive Harm.
▲ **AVERTISSEMENT:** Peut Causer le Cancer et des Dommages au Système Reproducteur.
▲ **ADVERTENCIA:** Cáncer y Daño Reproductivo.

www.p65warnings.ca.gov. PN2017A

THERMALFLO™ HEAT PUMP

460812, 460813, 460814, 460815, & 460822

REPLACEMENT PARTS



CALIFORNIA PROPOSITION 65 WARNING

⚠ **WARNING:** Cancer and Reproductive Harm.
 ⚠ **AVERTISSEMENT:** Peut Causer le Cancer et des Dommages au Système Reproducteur.
 ⚠ **ADVERTENCIA:** Cáncer y Daño Reproductivo.
www.p65warnings.ca.gov

PK2017LA

THERMALFLO™ HEAT PUMP (CONT'D)

REPLACEMENT PARTS

Item	Part No.	Description	US List	Can. List
THERMALFLO HP				
1	470439	Nut, 10-32 SS acorn ²	5.74	6.90
2	473368	Fan guard	128.41	154.30
3	470441	Fastener kit, fan guard, 1 set	8.80	10.57
4	470289	Fan motor w/ acorn nuts	326.36	392.15
5	473285	Nut, 1/4-20 SS acorn	1.45	1.74
6	473134	Top	707.72	850.40
7	470159	Screw, 10 x 3/4 in. pan head phillips, almond head	1.45	1.74
8	470161	Screw, No.10 x 1 in. button head torx, almond head	1.45	1.74
9	473223	Blade, fan	270.01	324.44
11	473144	Orifice, reversing, Model No. 1200R	57.28	68.83
11	473145	Orifice, Model No. 500, 700, 900, 1200, 1200C	57.32	68.88
12	473121	Drier, Model No. 500, 700, 900, 1200, 1200C	106.42	127.87
12	473139	Drier, reversible, Model No. 1200R	316.17	379.91
13	98219800	Bolt 5/16-18 x 1 in., SS	1.69	2.03
14	473416	Coil, water, Model No. 500	1972.40	2370.04
14	473417	Coil, water, Model No. 700, 900, 1200, 1200R, 1200C	2360.52	2836.40
15	473295	Washer, fender	1.45	1.74
16	473175	Switch, low pressure	128.07	153.89
17	473116	Compression fitting, water line, Model No. 500	32.19	38.68
17	473117	Compression fitting, water line, Model No. 700, 900, 1200, 1200R, 1200C	20.28	24.37
18	471566	Probe, Thermistor	57.87	69.54
19	071406	Nut, 1/4-20 hex SS	1.69	2.03
20	473605	Switch, water pressure	85.14	102.30
21	470137	Bracket, tie down	22.22	26.70
22	473381	Union, 2 in. PVC	31.34	37.66
23	473320	Manifold, water bypass w/ hartford loop, Model No. 700, 900, 1200, 1200R, 1200C	CALL	CALL
23	473424	Manifold, water bypass w/ hartford loop, Model No. 500	CALL	CALL
24	473294	Bolt 5/16-18 x 1-3/4 4 in. SS	1.45	1.74
25	473026	Compressor isolation kit, grommet & spacer, 1 set	24.39	29.31
26	473412	Panel, front right, Model No. 500, 700	227.39	273.23
26	473431	Panel, front right, Model No. 900, 1200, 1200R, 1200C	258.99	311.20

Item	Part No.	Description	US List	Can. List
27	470419	Panel, front left, w/ decal, Model No. 500, 700	CALL	CALL
27	470434	Panel, front left, w/ decal, Model No. 900, 1200, 1200R, 1200C	CALL	CALL
28	470281	Nut, U-clip	2.88	3.46
29	470284	Nut, J-clip	3.45	4.15
30	R172305	Valve, check	CALL	CALL
31	473172	Switch, high pressure	128.07	153.89
32	473024Z	Compressor, Trane GH633-LL1-G, Model No. 500, 700, 900	2871.96	3450.95
32	473025Z	Compressor, Trane GH673-LM1-G, Model No. 1200, 1200R, 1200C	CALL	CALL
33	470147	Wire harness, compressor	18.20	21.87
34	473693	Bezel, control board w/ label	196.39	235.98
35	472734	Control board assembly	490.98	589.96
36	473422	Wire harness, fan & compressor terminal block	93.82	112.73
37	473155	Transformer	182.14	218.86
38	473423	Wire harness, main	90.85	109.17
39	473150	Relay, fan	124.64	149.77
40	473149	Contactator	193.54	232.56
41	470146	Capacitor	92.55	111.21
42	473315	Wire harness, sensor terminal block	114.56	137.66
NOT SHOWN				
	473606	Rubber boot cover for water pressure switch	7.45	8.95
	473135	Reversing valve w/ coil, Model No. 1200R	CALL	CALL
	473136	Solenoid, reversing, Model No. 1200R ¹	160.91	193.35
	473432	Coil for reversing valve ²	234.10	281.29
	473035	RotoLock Hi Side with Gasket	101.38	121.82
	473034	RotoLock Lo Side with Gasket	101.38	121.82

¹ For unit manufactured before 9-1-05.

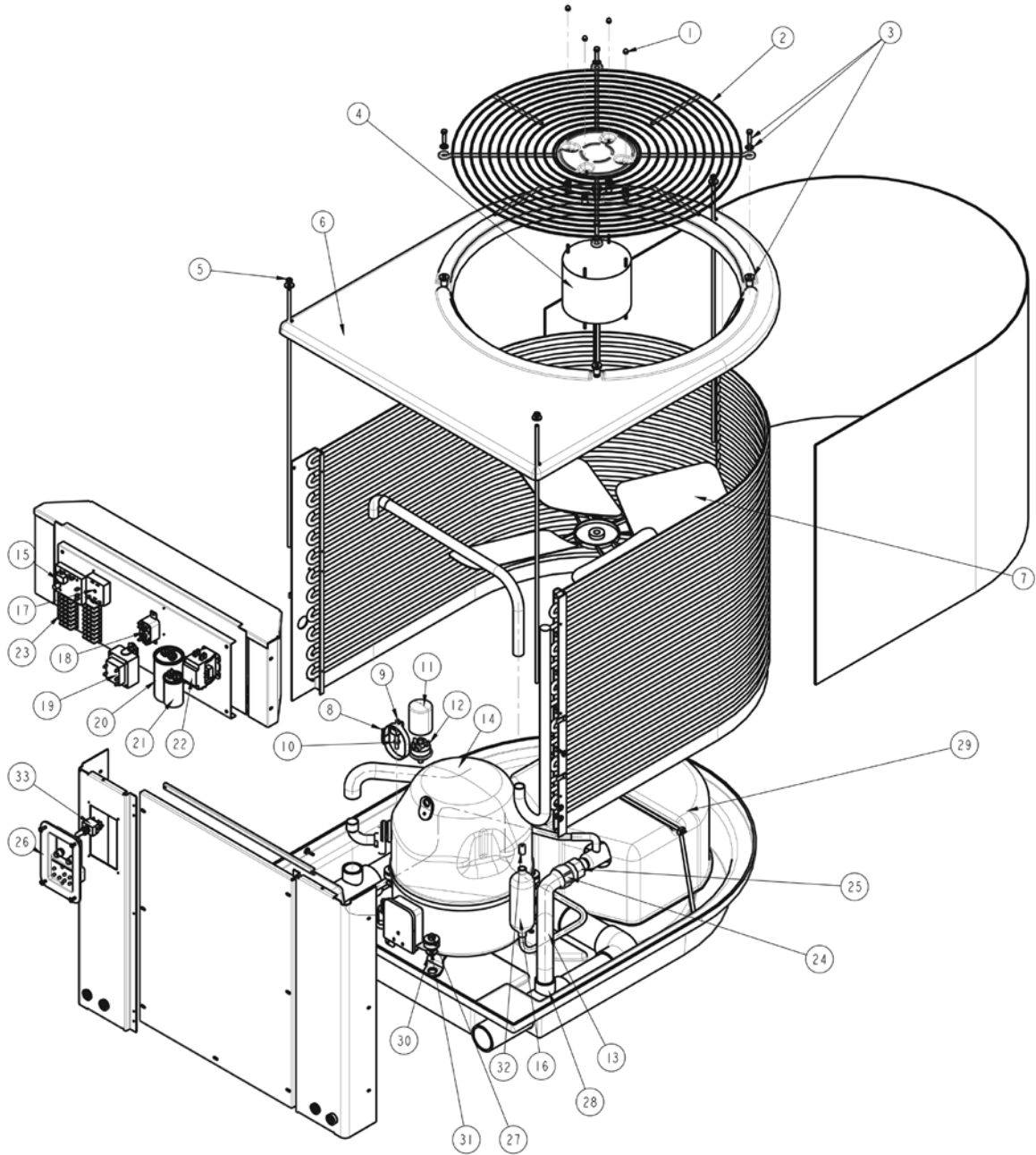
² For units manufactured after 9-1-05.

CALIFORNIA PROPOSITION 65 WARNING

▲ **WARNING:** Cancer and Reproductive Harm.
▲ **AVERTISSEMENT:** Peut Causer le Cancer et des Dommages au Système Reproducteur.
▲ **ADVERTENCIA:** Cáncer y Daño Reproductivo.

www.p65warnings.ca.gov
PR030114A

MINIMAX® PLUS HP HEAT PUMP REPLACEMENT PARTS



CALIFORNIA PROPOSITION 65 WARNING

⚠ **WARNING:** Cancer and Reproductive Harm.
 ⚠ **AVERTISSEMENT:** Peut Causer le Cancer
 et des Dommages au Système Reproducteur.
 ⚠ **ADVERTENCIA:** Cáncer y Daño Reproductivo.
www.p65warnings.ca.gov

PK2017LA

MINIMAX® PLUS HP HEAT PUMP (CONT'D)

REPLACEMENT PARTS

Item	Part No.	Description	US List	Can. List
MINIMAX PLUS HP				
1	470439	Nut, 10-32 SS acorn	5.74	6.90
2	473368	Fan guard	128.41	154.30
3	470441	Fastener kit, fan guard, 1 set	8.80	10.57
4	473224	Motor, fan	CALL	CALL
5	473285	Nut, 1/4-20 SS acorn	1.45	1.74
6	473222	Top	CALL	CALL
7	473223	Fan blade	270.01	324.44
8	9321004	Hose clamp, 2-3/4 in.	5.67	6.81
9	520272	Temperature sensor, 10K OHM, 40 in.	84.68	101.75
10	9142109	O-ring 2-109	4.74	5.70
11	473364	Protective cap for water pressure switch	4.85	5.83
12	473070	Water pressure switch	214.54	257.79
14	473024	Compressor, Trane GH633-LLI-G, Model No. 400, 600, 800	CALL	CALL
14	473025	Compressor, Trane GH673-LMI-G, Model No. 1000, 1000R, CHILLR	CALL	CALL
15	473157	Circuit board, Honeywell	310.54	373.14
16	473121	Drier, Model No. 400, 600, 800, 1000, CHILLR	106.42	127.87
16	473139	Drier, Model No. 1000R	316.17	379.91
17	473156	Time delay SSAC	200.61	241.05
18	473150	Relay, fan	124.64	149.77
19	473155	Transformer	182.14	218.86
20	473198	Capacitor, 50 MFD 440V	CALL	CALL
21	473154	Capacitor, 7.5 MFD 370V	67.24	80.80
22	473149	Contact, compressor	193.54	232.56
23	473160	Terminal block 8 POS	24.63	29.60
24	473068	Adapter, male, Model No. 400, 600, 800	10.12	12.16
24	473069	Adapter, male, Model No. 1000, 1000R, CHILLR	30.40	36.53
25	473116	Quest nut, ASM 3/4 NPT, Model No. 400, 600	32.19	38.68
25	473117	Quest nut, ASM 3/4 NPT, Model No. 800, 1000, 1000R, CHILLR	20.28	24.37
26	473216	Thermostat, Model No. 400, 600, 800, 1000	445.66	535.51
26	473221	Thermostat, Model No. 1000R	453.63	545.08

Item	Part No.	Description	US List	Can. List
27	473294	Bolt, 5/16-18 x 1-3/4 in. SS	1.45	1.74
28	473059	Bypass assembly with check valve	197.93	237.83
29	473051	Water coil assembly, Model No. 400, 600	2288.91	2750.35
29	473052	Water coil assembly, Model No. 800, 1000, 1000R, CHILLR	2590.26	3112.46
30	473295	Washer, fender	1.45	1.74
31	473026	Compressor isolation kit	24.39	29.31
32	473144	Orifice, reversible, Model No. 1000R	57.28	68.83
32	473145	Orifice, reversible, Model No. 400, 600, 800, 1000, CHILLR	57.32	68.88
33	473181	Switch, 3 position toggle	86.13	103.49
NOT SHOWN				
	473135	Valve, reversing, Model No. 1000R	CALL	CALL
	473168	Wire harness electrical	72.67	87.32
	473169	Wire harness, Trane compressor	103.04	123.81
	473172	Switch 500/ 380 hi-pressure	128.07	153.89
	473175	Switch 90/120 lo-pressure, Model No. 400, 600, 800, 1000	128.07	153.89
	473176	Switch 40/80 lo-pressure, Model No. 1000R, CHILLR	128.07	153.89
	155187	Switch toggle double insulated, Model No. CHILLR	24.16	29.03
	473381	Union nuts - 2 in.	31.34	37.66
	473035	RotoLock Hi Side with Gasket	101.38	121.82
	473034	RotoLock Lo Side with Gasket	101.38	121.82

CALIFORNIA PROPOSITION 65 WARNING

⚠️ **WARNING:** Cancer and Reproductive Harm.
 ⚠️ **AVERTISSEMENT:** Peut Causer le Cancer et des Dommages au Système Reproducteur.
 ⚠️ **ADVERTENCIA:** Cáncer y Daño Reproductivo.

www.p65warnings.ca.gov
PR030714

