

# PUMP PARTS

Product Catalog 2020

# INTELLIFLO® & INTELLIPRO® PUMP DRIVE PART NUMBER HISTORY

## REPLACEMENT PARTS

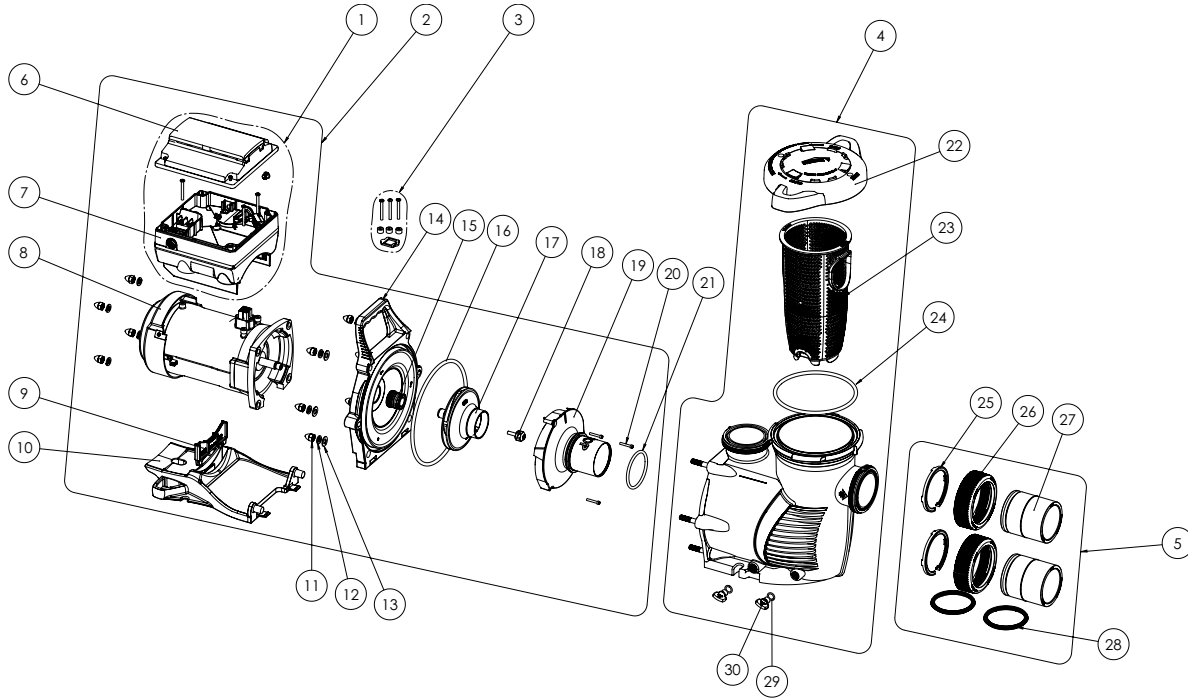
NOTE: The table below lists original drive kit part numbers and active replacement parts for the IntelliFlo and IntelliPro family pump product lines.

Pump Part No.	Pump Name	Pump Obsolete?	Original Drive Kit	Original Drive Available?	Current Drive Part No.	Current Keypad Part No.	Current Drive Kit
<b>IntelliFlo Family Pump Product Line</b>							
011008	IntelliFlo i1 <i>original</i>	Yes	353251	No	356878Z	357527Z	356879Z
011009	IntelliFlo i2 <i>original</i>	Yes	353251	No	356878Z	357527Z	356879Z
011018	IntelliFlo VS <i>original</i>	Yes	353251	No	356878Z	357527Z	356879Z
011017	IntelliFlo VS+SRVS <i>original</i>	Yes	351021	No	356910Z	357527Z	356911Z
011012	IntelliFlo VF	Yes	350721	No	356880Z	357527Z	356922Z
011059	IntelliFlo i1	No	356879Z	Yes	356878Z	357527Z	356879Z
011060	IntelliFlo i2	No	356879Z	Yes	356878Z	357527Z	356879Z
011055	IntelliFlo 2 VST	Yes	356879Z	Yes	356878Z	357527Z	356879Z
011028	IntelliFlo VS	No	356879Z	Yes	356878Z	357527Z	356879Z
011057	IntelliFlo VS+SVRS	No	356911Z	Yes	356910Z	357527Z	356911Z
011056	IntelliFlo VSF	No	356922Z	Yes	356880Z	357527Z	356922Z
022005	IntelliFloXF <i>original</i>	Yes	353251	No	356878Z	357527Z	356879Z
022055	IntelliFloXF VS	No	356879Z	Yes	356878Z	357527Z	356879Z
022056	IntelliFloXF VSF	No	357521Z	Yes	356896Z	357527Z	357521Z
<b>IntelliPro Family Pump Product Line</b>							
P6E6VS4H-209L	IntelliPro VS	No	353252	No	356892Z	358527Z	356893Z
P6E6XS4H-209L	IntelliPro VS+SVRS <i>original</i>	Yes	353250	No	356912Z	358527Z	356913Z
013001	IntelliPro 2 VST	Yes	356893Z	Yes	356892Z	358527Z	356893Z
013002	IntelliPro VS+SVRS	No	356913Z	Yes	356912Z	358527Z	356913Z
013004	IntelliPro VSF	No	353141Z	Yes	356657Z	358527Z	353141Z
023005	IntelliProXF VS <i>original</i>	Yes	353252	No	356892Z	358527Z	356893Z
023055	IntelliProXF VS	No	356893Z	Yes	356892Z	358527Z	356893Z
023056	IntelliProXF VSF	No	352032Z	Yes	356898Z	358527Z	352032Z

CALIFORNIA PROPOSITION 65 WARNING  
 ⚠️ **WARNING:** Cancer and Reproductive Harm.  
 ⚠️ **AVERTISSEMENT:** Peut Causer le Cancer et des Dommages au Système Reproducteur.  
 ⚠️ **ADVERTENCIA:** Cáncer y Daño Reproductivo.  
[www.p65warnings.ca.gov](http://www.p65warnings.ca.gov) PA 201514

# INTELLIFLOX<sup>®</sup> VSF PUMP INTELLIFLOX<sup>®</sup> VS PUMP - AFTER AUGUST 2015

## REPLACEMENT PARTS



Item	Part No.	Description	US List	Can. List
<b>INTELLIFLO PUMP</b>				
1	357521Z	Drive Kit (VSF model)	CALL	CALL
1	356879Z	Drive Kit (VS model)	1574.99	1892.51
2	400655Z	Power End Kit (VS model)	2842.51	3415.56
3	355685	Drive Hardware Kit	119.16	143.18
4	400000	Wet End Assembly	346.35	416.17
5	410020	Union Kit w/o Tap	157.79	189.60
6	357527Z	Keypad Assembly Kit	376.45	452.34
7	356896Z	Drive (VSF model)	CALL	CALL
7	356878Z	Drive (VS model)	CALL	CALL
8	350305S	Motor	CALL	CALL
9	070929	Motor Support Insert	21.21	25.49
10	400004Z	Motor Base	42.27	50.79
11	071413	Acorn Nut (Qty. 10)	1.34	1.61
12	U43-12SS	Lock Washer (Qty. 10)	2.92	3.51
13	072184	Flat Washer (Qty. 6)	1.69	2.03
14	400002	Seal Plate	228.90	275.05
15	17351-0101S	Mechanical Seal	28.74	34.53
16	351446	Seal Plate O-Ring	6.87	8.25
17	400015	Impeller	139.51	167.64
18	37337-6080	Impeller Screw Set	21.22	25.50
19	400010	Diffuser	100.17	120.36
20	353323	Diffuser Screws	3.60	4.33
21	350336	Diffuser O-Ring	3.60	4.33
22	400006	Lid/Locking Ring Assembly	60.94	73.23

Item	Part No.	Description	US List	Can. List
23	400007Z	Strainer Basket	38.11	45.79
24	35505-1440	Lid/Locking Ring O-Ring	20.44	24.56
25	410001	2.5" C-Clip Locking Ring (Qty. 2)	7.72	9.28
26	411000	2.5" Union Nut (Qty. 2)	21.20	25.47
27	410002	2.5" Union Adapter w/o Tap (Qty. 2)	36.56	43.93
28	410016Z	2.5" Diamond Seal Kit (Qty. 2)	13.05	15.68
29	192115Z	Drain Plug O-Ring (Qty. 2)	CALL	CALL
30	071131Z	Drain Plug (Qty. 2)	CALL	CALL
<b>NOT SHOWN</b>				
	356904Z	Keypad Relocation Kit	81.82	98.31
	400031Z	Seal Plate w/Mech Seal	221.68	266.37
	350122	50 Ft. Communication Cable	186.48	224.07
	352401	Motor Fan Kit	191.35	229.93

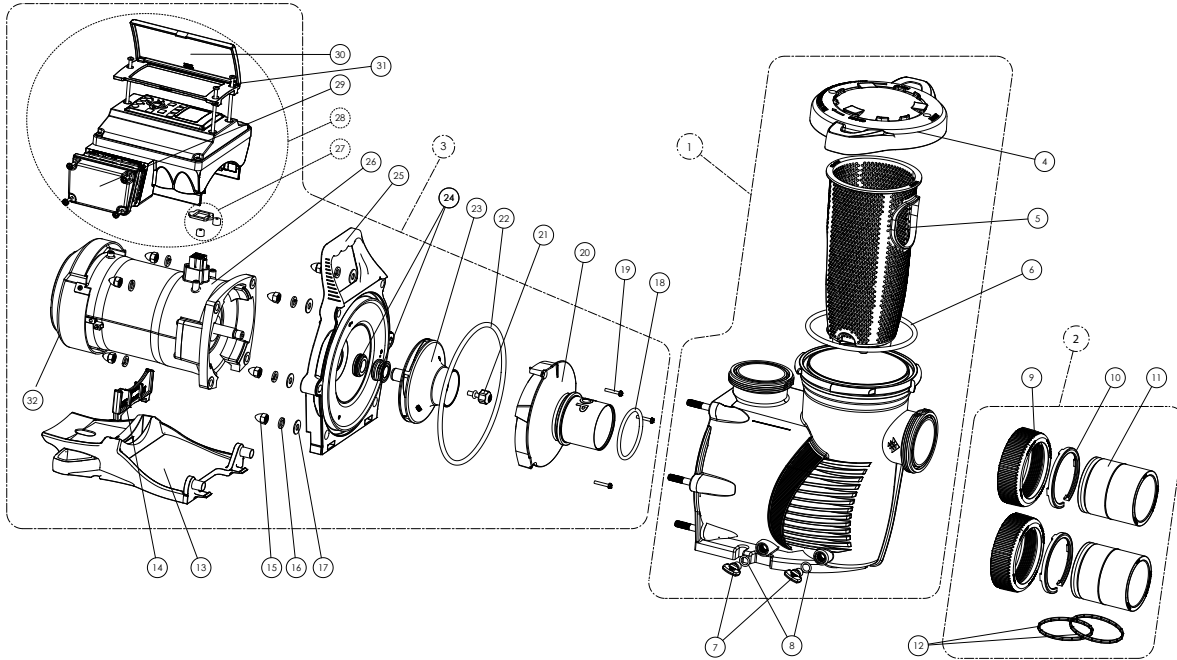
CALIFORNIA PROPOSITION 65 WARNING

⚠ **WARNING:** Cancer and Reproductive Harm.  
 ⚠ **AVERTISSEMENT:** Peut Causer le Cancer et des Dommages au Système Reproducteur.  
 ⚠ **ADVERTENCIA:** Cáncer y Daño Reproductivo.

[www.p65warnings.ca.gov](http://www.p65warnings.ca.gov)
PH201714

# INTELLIFLOXF® VARIABLE SPEED PUMP - BEFORE AUGUST 2015

## REPLACEMENT PARTS



Item	Part No.	Description	US List	Can. List
<b>INTELLIFLOXF PUMP</b>				
1	400000	Wet End Assembly	346.35	416.17
2	410020	Union Kit	157.79	189.60
3	400605Z	Power End Assy w/ Drive & Motor	CALL	CALL
4	400006	Lid/Locking Ring Assy	60.94	73.23
5	400007Z	XF Series Replacement Basket	38.11	45.79
6	35505-1440	Lid/Locking Ring O-Ring	20.44	24.56
7	071131Z	Drain Plug (2 req.)	CALL	CALL
8	192115Z	Drain Plug O-ring (2 req.)	CALL	CALL
9	411000	2.5 in. Union Nut	21.20	25.47
10	410001	2.5 in. C-Clip Locking Ring	7.72	9.28
11	410002	2.5 in. Union Adapter	36.56	43.93
12	410016Z	2.5 in. Seal Kit - (Includes 2)	13.05	15.68
13	400004Z	Motor Base	42.27	50.79
14	357160	Motor Support Insert- Black	21.21	25.49
15	071413	Acorn Nut (each)	1.34	1.61
16	U43-12SS	Split Lock Washer (each)	2.92	3.51
17	072184	Flat Washer (each)	1.69	2.03
18	350336	Diffuser O-ring	3.60	4.33
19	353323	Diffuser Screw	3.60	4.33
20	400010	Diffuser	100.17	120.36

Item	Part No.	Description	US List	Can. List
21	37337-6080	Impeller Reverse Screw	21.22	25.50
22	351446	Seal Plate O-Ring	6.87	8.25
23	400015	Impeller Assembly	139.51	167.64
24	17351-0101S	Mechanical Seal Assembly	28.74	34.53
25	400002	Seal Plate	228.90	275.05
26	350105S	Motor Kit	CALL	CALL
27	350612	Drive Hardware and Gasket Kit (includes item #31)	119.16	143.18
28	356879Z	Variable Speed Drive Assy Kit	1574.99	1892.51
29	350621	Field Wiring Comp Kit w/ Gasket	22.38	26.89
30	350601	Control Cover Assy Kit (incl. item #27) <sup>1</sup>	238.72	286.85
30	400100	Control Cover Assy Kit (incl. item #27) <sup>2</sup>	238.72	286.85
31	350107	Screw 10-24 x 3-1/4 in. PH MS 18-8SS (Qty. 3)	4.62	5.55
32	352401	Motor Fan Kit (contains Fan, Shroud, Hardware)	191.35	229.93
<b>NOT SHOWN</b>				
	400031Z	Seal Plate Kit w/ Mech Seal	221.68	266.37
	400012	Riser Plate XF to Challenger	73.13	87.87
	350122	50 Ft. Communication Cable	186.48	224.07

<sup>1</sup> Used on pumps manufactured before 12/23/13

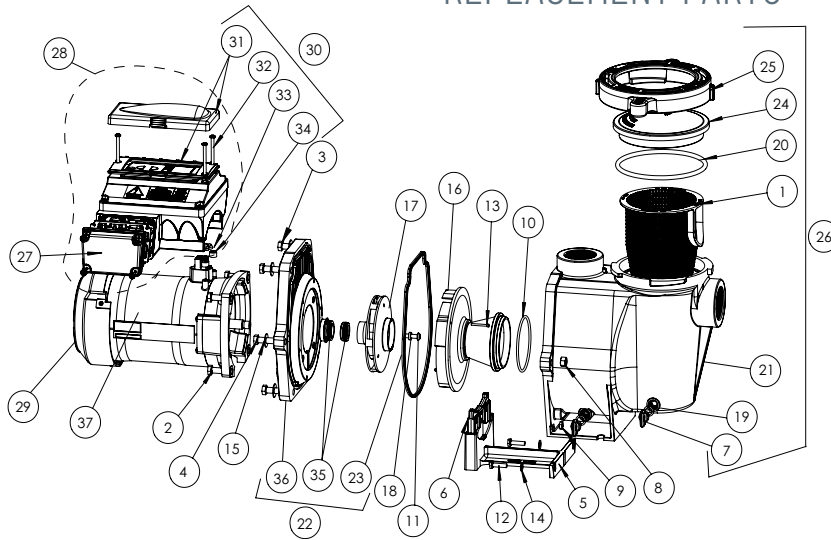
<sup>2</sup> Used on pumps manufactured after 12/23/13 to present

**CALIFORNIA PROPOSITION 65 WARNING**

**⚠ WARNING:** Cancer and Reproductive Harm.  
**⚠ AVERTISSEMENT:** Peut Causer le Cancer et des Dommages au Système Reproducteur.  
**⚠ ADVERTENCIA:** Cáncer y Daño Reproductivo.  
[www.p65warnings.ca.gov](http://www.p65warnings.ca.gov)

# INTELLIFLO® VF PUMP

## REPLACEMENT PARTS



**CALIFORNIA PROPOSITION 65 WARNING**

⚠ **WARNING:** Cancer and Reproductive Harm.  
 ⚠ **AVERTISSEMENT:** Peut Causer le Cancer et des Dommages au Système Reproducteur.  
 ⚠ **ADVERTENCIA:** Cáncer y Daño Reproductivo.  
[www.p65warnings.ca.gov](http://www.p65warnings.ca.gov) P650074

Item	Part No.	Description	US List	Can. List
<b>INTELLIFLO VF PUMP</b>				
1	070387Z	Basket WF	CALL	CALL
2	070429ZZ	Bolt hex HD, 2-56 x .875 S/S, 4 req.	CALL	CALL
3	070430	Bolt, 3/8-16 x 1-1/4 hex cap 18-8 S/S, 4 req.	2.76	3.32
4	070431	Bolt, 3/8-16 x 2 hex cap 18-8 S/S, 2 req.	3.03	3.64
5	070927	Foot WF, pump motor support, almond	42.27	50.79
6	070929	Foot insert WF pump, almond	21.21	25.49
7	071131Z	Plug drain WFE, almond, 2 req.	CALL	CALL
8	071403	Nut, 3/8-16 brass nickel plated, 2 req.	1.69	2.03
9	071406	Nut, 1/4-20 hex S/S, 2 req.	1.69	2.03
10	355227Z	O-ring #238, 3.484 x .139, buna N 70	CALL	CALL
11	071652Z	Screw, 1/4, 20 x 1 LH phillips pan MS 18-8 S/S, 1 req.	CALL	CALL
12	071657Z	Screw, 1/4-20 x 1 in. hex cap 18-8 S/S, 2 req.	CALL	CALL
13	071660Z	Screw set, 4-40 x 1-1/8 WFE sckt cap 18-8 S/S, 2 req.	CALL	CALL
14	072183	Washer, flat 1/4 x 5/8 20GA thick 18-8 S/S, 2 req.	1.69	2.03
15	072184	Washer, 3/8 ID x 7/8 OD .05 thick 18-8 S/S, 6 req.	1.69	2.03
16	072928	Diffuser assembly, black	100.17	120.36
17	073131	Impeller, IntelliFlo	110.03	132.21
18	075713	Rubber washer, WFE pump, 1 req.	1.69	2.03
19	192115Z	O-ring 112, .487 x .103 buna -N 70, 2 req.	CALL	CALL
20	350013Z	O-ring lid CH/WF 2-436, 1 req.	CALL	CALL
21	350015	Housing WFE, almond	251.61	302.33
22	350202	Seal plate kit, almond w/ gasket (Items 23, 35, 36)	221.99	266.74
23	357100Z	Black Gasket for Seal plate	CALL	CALL
23	357102Z	Almond Gasket for Seal plate	CALL	CALL
24	357151	Lid, see thru WF.	39.57	47.55
24	357156	Lid, Chemical Resistant	74.65	89.70
25	357199	Clamp cam & ramp WF, almond	52.56	63.16

Item	Part No.	Description	US List	Can. List
26	357243	Pot WF assy., almond (contains 1, 7 (qty. 2), 19 (qty. 2), 20, 21, 24, 25)	526.49	632.63
27	350621	Junction Box Cover - Almond	22.38	26.89
28	350721	Drive IntelliFlo VF assy. kit, almond (contains drive VF, control cover assy.)	CALL	CALL
29	352401	Motor fan kit, almond (contains fan, shroud, hardware).	191.35	229.93
30	350601	Drive Control Cover assembly kit, almond (contains drive lid, screws, spacer caps, items 31, 32 (qty. 3), 33, 34 (qty. 3) <sup>1</sup> )	238.72	286.85
30	400100	Drive Control Cover assembly kit, almond (contains drive lid, screws, spacer caps, items 31, 32 (qty. 3), 33, 34 (qty. 3) <sup>2</sup> )	238.72	286.85
31	350082	Control cover assembly (not sold individually - order item assy. kit item #30)	CALL	CALL
32	350107	Screw 10-24 x 3 3/4 in. PH MS 18-8 s/s (qty. 3)	4.62	5.55
33	350108	IntelliFlo drive gasket	9.59	11.52
34	350142	Spacer cap (qty. 3)	33.51	40.27
35	071734S	Seal Kit	33.41	40.15
36	074564Z	Seal Plate - Almond	CALL	CALL
37	350105S	Motor VFD 3.2KW PMSM replacement, almond	CALL	CALL

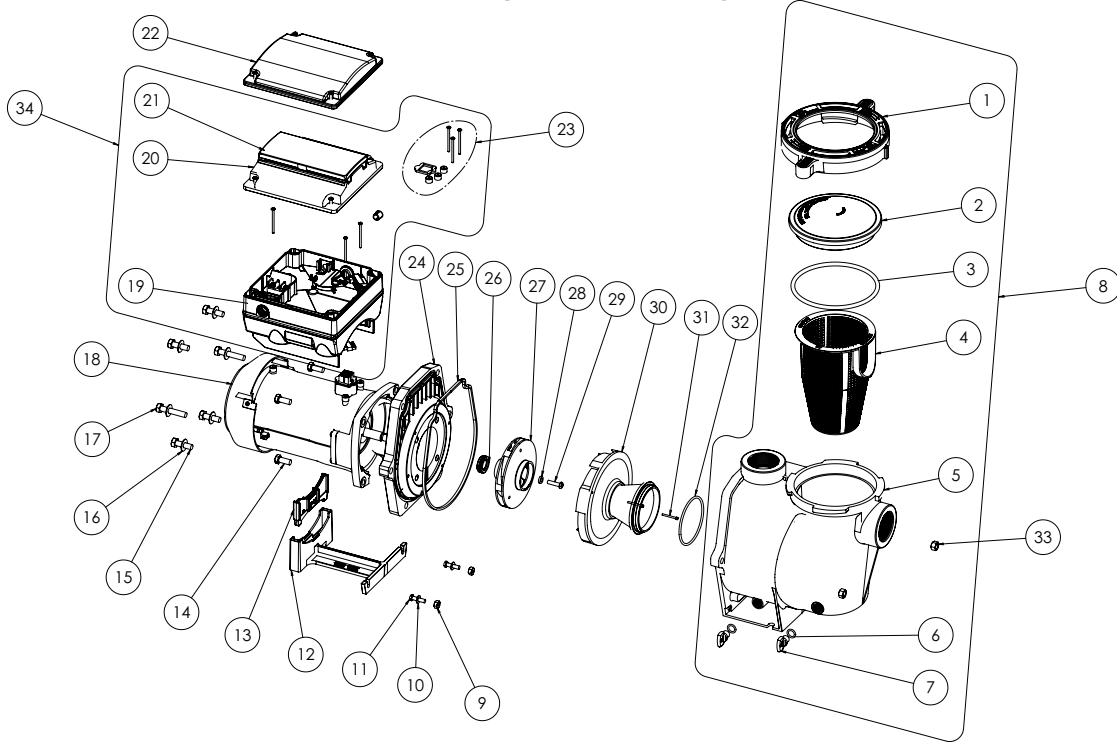
<b>NOT SHOWN</b>				
	070112	Power end IntelliFlo VF (Contains items 2 (qty. 4), 10, 11, 13, 15, 16, 17, 18, 19, 22, 28, 37)	CALL	CALL
	350122	50 ft. Communication Cable	186.48	224.07
	357149	Almond Volute/Seal plate Replacement Kit (Items 1, 7 (Qty 2), 19 (Qty 2), 20, 21, 22, 23, 24, 25)	331.07	397.81
	350612	Hardware/gasket assy. kit (contains 3 screws, 3 spacer caps and drive gasket)	119.16	143.18
	357603	Union Kit (contains 2 complete unions for one pump, not included with pump).	123.12	147.94
	350199	Seal Plate Kit (ozone/salt resistant)	216.81	260.52

<sup>1</sup> Used on pumps manufactured before 12/28/11

<sup>2</sup> Used on pumps manufactured after 12/28/11

# INTELLIFLO® VSF PUMP/INTELLIFLO 2 VST PUMP INTELLIFLO VS PUMP - AFTER 2018

## REPLACEMENT PARTS



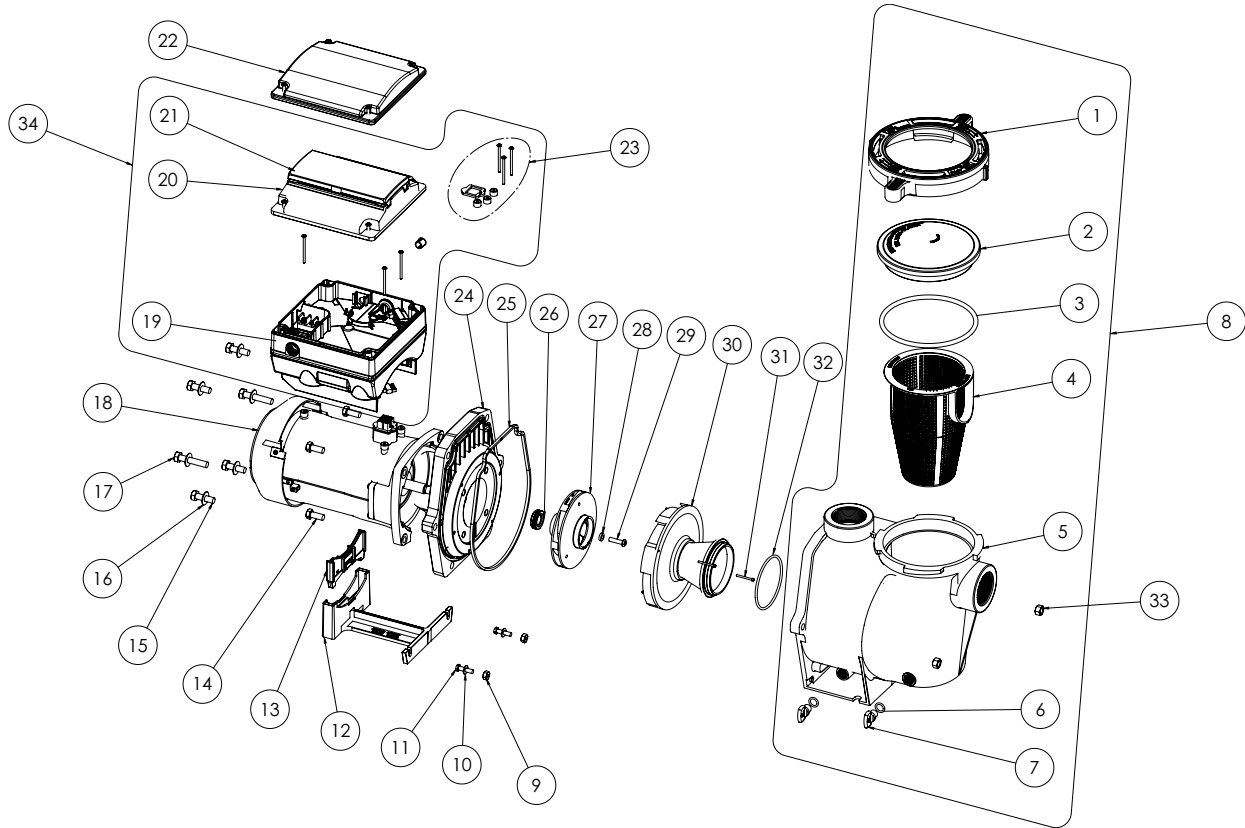
Item	Part No.	Description	US List	Can. List
<b>INTELLIFLO PUMP</b>				
1	357199	Clamp, Cam and Ramp	52.56	63.16
2	357151	See-through Lid	39.57	47.55
3	350013Z	Lid O-Ring	CALL	CALL
4	070387Z	Strainer Basket	CALL	CALL
5	350015	Volute WF	251.61	302.33
6	192115Z	O-Ring 112 for Drain Plug (Qty 2)	CALL	CALL
7	071131Z	Drain Plug WF (Qty 2)	CALL	CALL
8	357243	Volute Kit (Contains items #1-7)	526.49	632.63
9	071406	Nut 1/4-20 Hex SS (Qty 2)	1.69	2.03
10	072183	Washer, Flat 1/4" ID x 5/8" OD (Qty 2)	1.69	2.03
11	071657Z	Screw 1/4-20 x 1" Hex Cap SS (Qty 2)	CALL	CALL
12	070927	Foot WF	42.27	50.79
13	070929	Foot Insert WFE Pump Motor Support	21.21	25.49
14	070429ZZ	Bolt, Hex Head 3/8-16 x 1.25" (Qty 4)	CALL	CALL
15	072184	Washer, Flat 3/8" ID x 7/8 OD (Qty 6)	1.69	2.03
16	070430	Bolt, Hex Head 3/8-16 x 1.25" (Qty 4)	2.76	3.32
17	070431	Bolt, Hex Head 3/8-16 x 2" (Qty 2)	3.03	3.64
18	350305S	Motor, 3.2 kW 10 Pole	CALL	CALL
19	356880Z	Drive (VSF model)	CALL	CALL
19	356878Z	Drive (2VST and VS models)	CALL	CALL
20	357527Z	Keypad Assembly Kit (Contains item #21)	376.45	452.34
21	400100	Keypad Cover	238.72	286.85
22	356904Z	Keypad Relocation Kit (Contains Keypad Relocation cable and Blank Drive Cover)	81.82	98.31

Item	Part No.	Description	US List	Can. List
23	355685	Drive Hardware Kit (Contains Drive Screws, Drive Gasket and Screw Caps)	119.16	143.18
24	074564Z	Seal Plate	CALL	CALL
25	357100Z	Seal Plate Gasket	CALL	CALL
26	071734S	Mechanical Seal	33.41	40.15
27	073131	Impeller	110.03	132.21
28	075713	Rubber Washer, Impeller Set Screw	1.69	2.03
29	071652Z	Impeller Set Screw 1/4-20 LH Thread	CALL	CALL
30	072928	Diffuser	100.17	120.36
31	071660Z	Diffuser Set Screw 4-40 x 1-1/8 (Qty 2)	CALL	CALL
32	355227Z	Diffuser O-Ring	CALL	CALL
33	071403	Nut 3/8" Brass, Nickel Plated (Qty 2)	1.69	2.03
34	356922Z	Drive Kit ( VSF model) (Incl. Items #19-23)	1574.99	1892.51
34	356879Z	Drive Kit (2VST and VS models) (Incl. Items #19-23)	1574.99	1892.51
<b>NOT SHOWN</b>				
	350122	50 Ft. Communication Cable	186.48	224.07
	350202	Seal Plate Kit w/Mechanical Seal (Incl. Items #24, 25 and 26)	221.99	266.74
	354044	Power End - (2VST and VS models)	2632.50	3163.21
	357603	Union Kit (Incl. 2 complete unions for 1 pump - Not included with pump)	123.12	147.94
	350199	Seal Plate Kit (Ozone/Salt resistant)	216.81	260.52
	352401	Motor Fan Kit	191.35	229.93

CALIFORNIA PROPOSITION 65 WARNING  
 ⚠️ **WARNING:** Cancer and Reproductive Harm.  
 ⚠️ **AVERTISSEMENT:** Peut Causer le Cancer et des Dommages au Système Reproducteur.  
 ⚠️ **ADVERTENCIA:** Cáncer y Daño Reproductivo.  
[www.p65warnings.ca.gov](http://www.p65warnings.ca.gov)      PH020114

# INTELLIFLO® VS+SVRS PUMP - AFTER JUNE 2016

## REPLACEMENT PARTS



Item	Part No.	Description	US List	Can. List
<b>INTELLIFLO VS+SVRS PUMP</b>				
1	357199	Clamp, Cam and Ramp	52.56	63.16
2	357151	See-through Lid	39.57	47.55
3	350013Z	Lid O-Ring	CALL	CALL
4	070387Z	Strainer Basket	CALL	CALL
5	350015	Volute WF	251.61	302.33
6	192115Z	O-Ring 112 for Drain Plug (Qty 2)	CALL	CALL
7	071131Z	Drain Plug WF (Qty 2)	CALL	CALL
8	357243	Volute Kit (Contains items #1-7)	526.49	632.63
9	071406	Nut 1/4-20 Hex SS (Qty 2)	1.69	2.03
10	072183	Washer, Flat 1/4" ID x 5/8" OD (Qty 2)	1.69	2.03
11	071657Z	Screw 1/4-20 x 1" Hex Cap SS (Qty 2)	CALL	CALL
12	070927	Foot WF	42.27	50.79
13	070929	Foot Insert WFE Pump Motor Support	21.21	25.49
14	070429Z	Bolt, Hex Head 3/8-16 x 1.25" (Qty 4)	CALL	CALL
15	072184	Washer, Flat 3/8" ID x 7/8" OD (Qty 6)	1.69	2.03
16	070430	Bolt, Hex Head 3/8-16 x 1.25" (Qty 4)	2.76	3.32
17	070431	Bolt, Hex Head 3/8-16 x 2" (Qty 2)	3.03	3.64
18	350305S	Motor, 3.2 kW 10 Pole	CALL	CALL
19	356910Z	Drive	CALL	CALL
20	357527Z	Keypad Assembly Kit (Contains item #21)	376.45	452.34
21	400100	Keypad Cover	238.72	286.85
22	356904Z	Keypad Relocation Kit (Contains Keypad Relocation cable and Blank Drive Cover)	81.82	98.31

Item	Part No.	Description	US List	Can. List
23	355685	Drive Hardware Kit (Contains Drive Screws, Drive Gasket and Screw Caps)	119.16	143.18
24	074564Z	Seal Plate	CALL	CALL
25	357100Z	Seal Plate Gasket	CALL	CALL
26	071734S	Mechanical Seal	33.41	40.15
27	073131	Impeller	110.03	132.21
28	075713	Rubber Washer, Impeller Set Screw	1.69	2.03
29	071652Z	Impeller Set Screw 1/4-20 LH Thread	CALL	CALL
30	072928	Diffuser	100.17	120.36
31	071660Z	Diffuser Set Screw 4-40 x 1-1/8 (Qty 2)	CALL	CALL
32	355227Z	Diffuser O-Ring	CALL	CALL
33	071403	Nut 3/8" Brass, Nickel Plated (Qty 2)	1.69	2.03
34	356911Z	Drive Kit (Incl. Items #19-23)	CALL	CALL

### NOT SHOWN

350122	50 Ft. Communication Cable	186.48	224.07
350202	Seal Plate Kit w/Mechanical Seal (Incl. Items #24, 25 and 26)	221.99	266.74
357603	Union Kit (Incl. 2 complete unions for 1 pump - Not included with pump)	123.12	147.94
350199	Seal Plate Kit (Ozone/Salt resistant)	216.81	260.52
352401	Motor Fan Kit	191.35	229.93

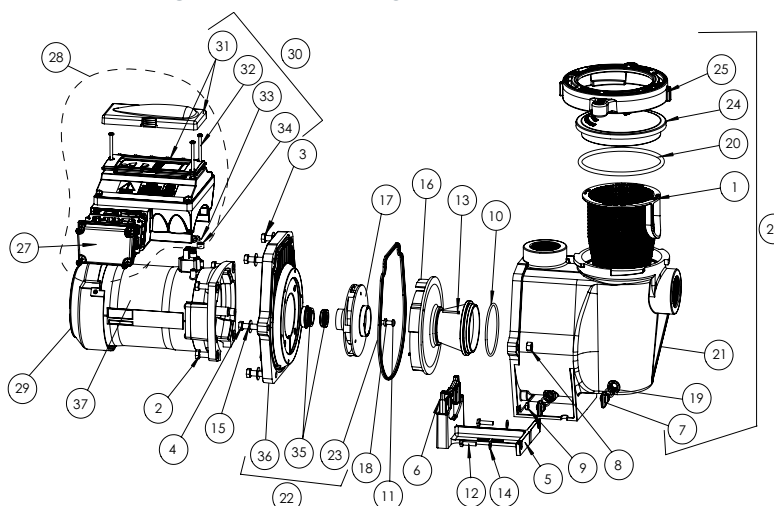
### CALIFORNIA PROPOSITION 65 WARNING

**⚠ WARNING: Cancer and Reproductive Harm.**  
**⚠ AVERTISSEMENT: Peut Causer le Cancer et des Dommages au Système Reproducteur.**  
**⚠ ADVERTENCIA: Cáncer y Daño Reproductivo.**  
[www.p65warnings.ca.gov](http://www.p65warnings.ca.gov)

# INTELLIFLO® VARIABLE SPEED PUMP- BEFORE 2019 INTELLIFLO VS+SVRS PUMP - BEFORE JUNE 2016

## REPLACEMENT PARTS

CALIFORNIA PROPOSITION 65 WARNING  
 ⚠ **WARNING:** Cancer and Reproductive Harm.  
 ⚠ **AVERTISSEMENT:** Peut Causer le Cancer et des Dommages au Système Reproducteur.  
 ⚠ **ADVERTENCIA:** Cáncer y Daño Reproductivo.  
 www.p65warnings.ca.gov. P65-2015-14



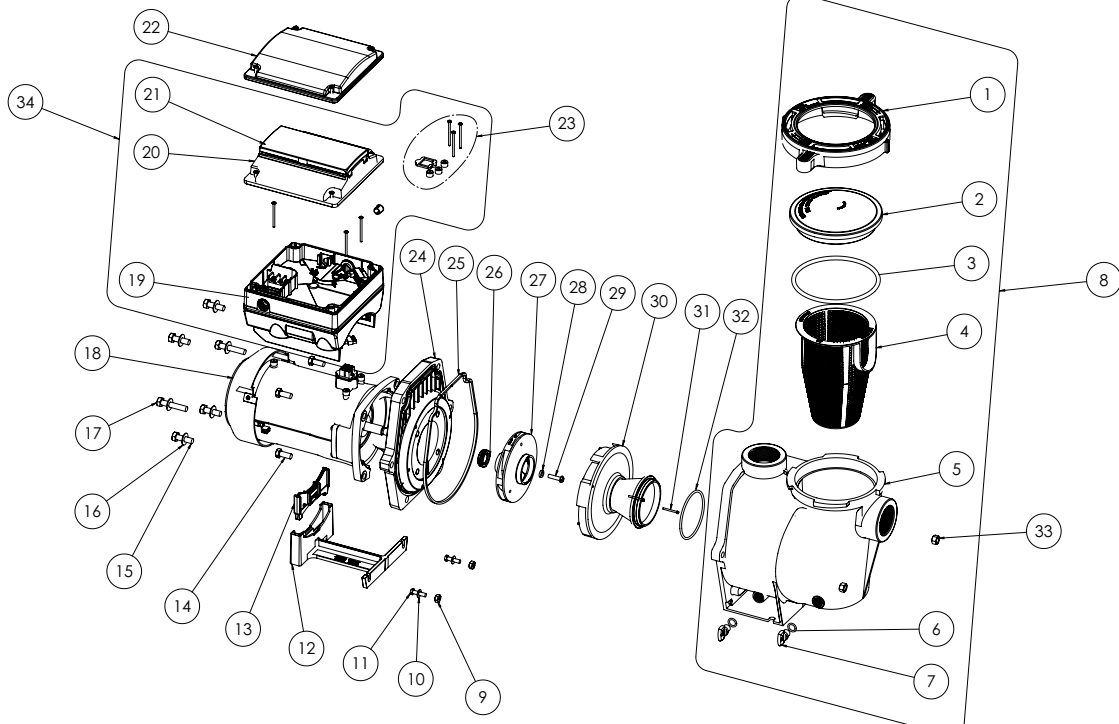
Item	Part No.	Description	US List	Can. List
<b>INTELLIFLO VARIABLE SPEED &amp; INTELLIFLO VS+SVRS</b>				
1	070387Z	Basket WF	CALL	CALL
2	070429ZZ	Bolt hex HD, 2-56 x .875 S/S, 4 req.	CALL	CALL
3	070430	Bolt, 3/8-16 x 1-1/4 hex cap 18-8 S/S, 4 req.	2.76	3.32
4	070431	Bolt, 3/8-16 x 2 hex cap 18-8 S/S, 2 req.	3.03	3.64
5	070927	Foot WF, pump motor support, almond	42.27	50.79
6	070929	Foot insert WF pump, almond	21.21	25.49
7	071131Z	Plug drain WFE, almond, 2 req.	CALL	CALL
8	071403	Nut, 3/8-16 brass nickel plated, 2 req.	1.69	2.03
9	071406	Nut, 1/4-20 hex S/S, 2 req.	1.69	2.03
10	355227Z	O-ring #238, 3.484 x .139, buna N 70	CALL	CALL
11	071652Z	Screw, 1/4, 20 x 1 LH phillips pan MS 18-8 S/S, 1 req.	CALL	CALL
12	071657Z	Screw, 1/4-20 x 1 in. hex cap 18-8 S/S, 2 req.	CALL	CALL
13	071660Z	Screw set, 4-40 x 1-1/8 WFE sckt cap 18-8 S/S, 2 req.	CALL	CALL
14	072183	Washer, flat 1/4 x 5/8 20GA thick 18-8 S/S, 2 req.	1.69	2.03
15	072184	Washer, 3/8 ID x 7/8 OD .05 thick 18-8 S/S, 6 req.	1.69	2.03
16	072928	Diffuser assembly, black	100.17	120.36
17	073131	Impeller, IntelliFlo	110.03	132.21
18	075713	Rubber washer, WFE pump, 1 req.	1.69	2.03
19	192115Z	O-ring 112, .487 x .103 buna -N 70, 2 req.	CALL	CALL
20	350013Z	O-ring lid CH/WF 2-436, 1 req.	CALL	CALL
21	350015	Housing WFE, almond	251.61	302.33
22	350202	Seal plate kit, almond w/ gasket (Items 23, 35, 36)	221.99	266.74
23	357100Z	Black Gasket for Seal plate	CALL	CALL
23	357102Z	Almond Gasket for Seal plate	CALL	CALL
24	357151	Lid, see thru WF.	39.57	47.55
24	357156	Lid, Chemical Resistant	74.65	89.70
25	357199	Clamp cam & ramp WF, almond	52.56	63.16
26	357243	Pot WF assy., almond (contains 1, 7 (qty. 2), 19 (qty. 2), 20, 21, 24, 25	526.49	632.63

Item	Part No.	Description	US List	Can. List
27	350621	Junction Box Cover - Almond	22.38	26.89
28	356879Z	IntelliFlo Variable Speed Drive Kit - Contains Drive and Control Cover Assy. (VS only)	1574.99	1892.51
28	351021	IntelliFlo VS+SVRS Drive Kit <sup>1</sup> - Contains Drive and Control Cover Assy. (SVRS drive)	CALL	CALL
29	352401	Motor fan kit, almond (contains fan, shroud, hardware).	191.35	229.93
30	350601	Drive Control Cover assembly kit <sup>2</sup> , almond (contains drive lid, screws, spacer caps, items 31, 32 (qty. 3), 33, 34 (qty. 3))	238.72	286.85
30	400100	Drive Control Cover assembly kit <sup>3</sup> , almond (contains drive lid, screws, spacer caps, items 31, 32, (qty.3), 33, 34 (qty. 3))	238.72	286.85
31	350082	Control cover assembly (not sold individually - order assy. kit item #30)	CALL	CALL
32	350107	Screw 10-24 x 3 3/4 in. PH MS 18-8 s/s (qty. 3)	4.62	5.55
33	350108	IntelliFlo drive gasket	9.59	11.52
34	350142	Spacer cap (qty. 3)	33.51	40.27
35	071734S	Seal Kit	33.41	40.15
36	074564Z	Seal Plate - Almond	CALL	CALL
37	350105S	Motor VFD 3.2KW PMSM replacement, almond	CALL	CALL
<b>NOT SHOWN</b>				
	070118	Power end IntelliFlo Variable Speed (Contains items 2, 10, 11, 13, 15, 16, 17, 18, 19, 22, 28)	CALL	CALL
	350122	50 ft. Communication Cable	186.48	224.07
	357149	Almond Volute/Seal plate Replacement Kit (Items 1, 7 (Qty 2), 19 (Qty 2), 20, 21, 22, 23, 24, 25)	331.07	397.81
	350612	Hardware/gasket assy. kit (contains 3 screws, 3 spacer caps and drive gasket)	119.16	143.18
	357603	Union Kit (contains 2 complete unions for one pump, not included with pump).	123.12	147.94
	350199	Seal Plate Kit (ozone/salt resistant)	216.81	260.52

<sup>1</sup> Contact factory for IntelliFlo VS+SVRS2  
<sup>2</sup> Used on pumps manufactured before 12/23/13  
<sup>3</sup> Used on pumps manufactured after 12/23/13 to present



# INTELLIFLO® i1 + i2 VARIABLE SPEED PUMP - AFTER APRIL 2016 REPLACEMENT PARTS



Item	Part No.	Description	US List	Can. List
<b>INTELLIFLOXFP PUMP</b>				
1	357199	Clamp, Cam and Ramp	52.56	63.16
2	357151	See-through Lid	39.57	47.55
3	350013Z	Lid O-Ring	CALL	CALL
4	070387Z	Strainer Basket	CALL	CALL
5	350015	Volute WF	251.61	302.33
6	192115Z	O-Ring 112 for Drain Plug (Qty 2)	CALL	CALL
7	071131Z	Drain Plug WF (Qty 2)	CALL	CALL
8	357243	Volute Kit (Contains items #1-7)	526.49	632.63
9	071406	Nut 1/4-20 Hex SS (Qty 2)	1.69	2.03
10	072183	Washer, Flat 1/4" ID x 5/8" OD (Qty 2)	1.69	2.03
11	071657Z	Screw 1/4-20 x 1" Hex Cap SS (Qty 2)	CALL	CALL
12	070927	Foot WF	42.27	50.79
13	070929	Foot Insert WFE Pump Motor Support	21.21	25.49
14	070429ZZ	Bolt, Hex Head 3/8-16 x 1.25" (Qty 4)	CALL	CALL
15	072184	Washer, Flat 3/8" ID x 7/8 OD (Qty 6)	1.69	2.03
16	070430	Bolt, Hex Head 3/8-16 x 1.25" (Qty 4)	2.76	3.32
17	070431	Bolt, Hex Head 3/8-16 x 2" (Qty 2)	3.03	3.64
18	350305S	Motor, 3.2 kW 10 Pole	CALL	CALL
19	356878Z	Drive, Variable Speed	CALL	CALL
20	357527Z	Keypad Assembly Kit (Contains item #21)	376.45	452.34
21	400100	Keypad Cover	238.72	286.85
22	356904Z	Keypad Relocation Kit (Contains Keypad Relocation cable and Blank Drive Cover)	81.82	98.31

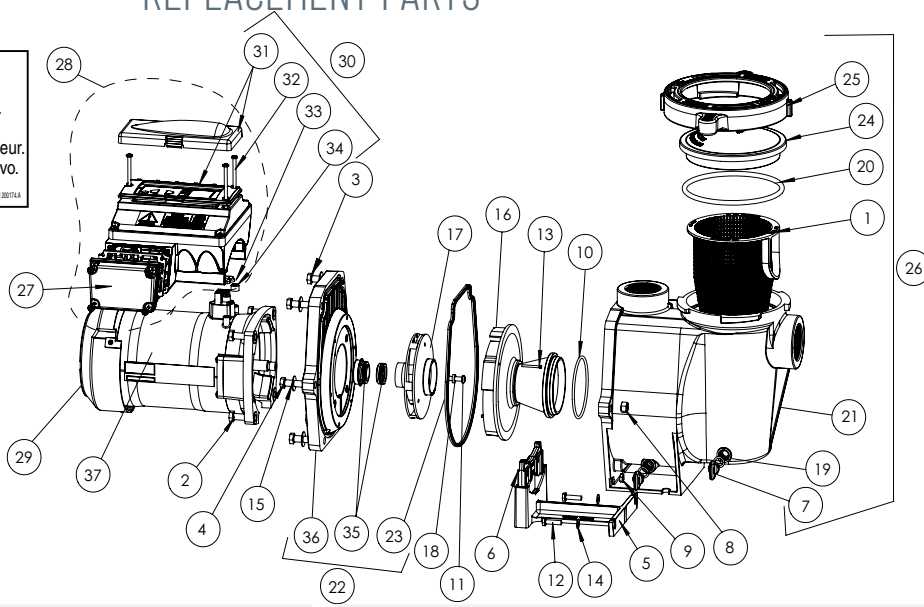
Item	Part No.	Description	US List	Can. List
23	355685	Drive Hardware Kit (Contains Drive Screws, Drive Gasket and Screw Caps)	119.16	143.18
24	074564Z	Seal Plate	CALL	CALL
25	357100Z	Seal Plate Gasket	CALL	CALL
26	071734S	Mechanical Seal	33.41	40.15
27	073128	Impeller, i1 Pump	110.03	132.21
27	073131A	Impeller, i2 Pump	105.85	127.19
28	075713	Rubber Washer, Impeller Set Screw	1.69	2.03
29	071652Z	Impeller Set Screw 1/4-20 LH Thread	CALL	CALL
30	072930	Diffuser, i1 Pump	83.81	100.71
30	072927Z	Diffuser, i2 Pump	CALL	CALL
31	071660Z	Diffuser Set Screw 4-40 x 1-1/8 (Qty 2)	CALL	CALL
32	355227Z	Diffuser O-Ring	CALL	CALL
33	071403	Nut 3/8" Brass, Nickel Plated (Qty 2)	1.69	2.03
34	356879Z	Drive Kit (Incl. Items #19-23)	1574.99	1892.51
<b>NOT SHOWN</b>				
	350122	50 Ft. Communication Cable	186.48	224.07
	350202	Seal Plate Kit w/Mechanical Seal (Incl. Items #24, 25 and 26)	221.99	266.74
	357603	Union Kit (Incl. 2 complete unions for 1 pump - Not included with pump)	123.12	147.94
	350199	Seal Plate Kit (Ozone/Salt resistant)	216.81	260.52
	352401	Motor Fan Kit	191.35	229.93

**CALIFORNIA PROPOSITION 65 WARNING**

⚠ **WARNING:** Cancer and Reproductive Harm.  
 ⚠ **AVERTISSEMENT:** Peut Causer le Cancer et des Dommages au Système Reproducteur.  
 ⚠ **ADVERTENCIA:** Cáncer y Daño Reproductivo.  
[www.p65warnings.ca.gov](http://www.p65warnings.ca.gov)

# INTELLIFLO® i1 VARIABLE SPEED PUMP - BEFORE APRIL 2016 REPLACEMENT PARTS

CALIFORNIA PROPOSITION 65 WARNING  
 ⚠️ **WARNING:** Cancer and Reproductive Harm.  
 ⚠️ **AVERTISSEMENT:** Peut Causer le Cancer et des Dommages au Système Reproducteur.  
 ⚠️ **ADVERTENCIA:** Cáncer y Daño Reproductivo.  
 www.p65warnings.ca.gov.

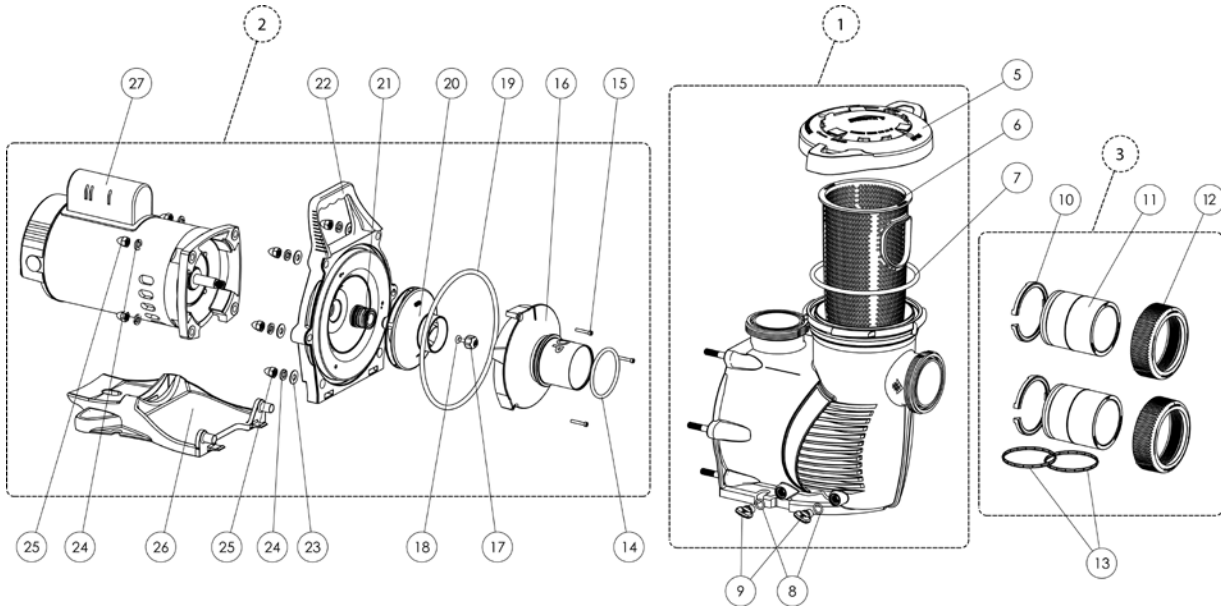


Item	Part No.	Description	US List	Can. List
<b>INTELLIFLO i1 VARIABLE SPEED PUMP</b>				
1	070387Z	Basket WF	CALL	CALL
2	070429ZZ	Bolt hex HD, 2-56 x .875 S/S, 4 req.	CALL	CALL
3	070430	Bolt, 3/8-16 x 1-1/4 hex cap 18-8 S/S, 4 req.	2.76	3.32
4	070431	Bolt, 3/8-16 x 2 hex cap 18-8 S/S, 2 req.	3.03	3.64
5	070927	Foot WF, pump motor support, almond	42.27	50.79
6	070929	Foot insert WF pump, almond	21.21	25.49
7	071131Z	Plug drain WFE, almond, 2 req.	CALL	CALL
8	071403	Nut, 3/8-16 brass nickel plated, 2 req.	1.69	2.03
9	071406	Nut, 1/4-20 hex S/S, 2 req.	1.69	2.03
10	355227Z	O-ring #238, 3.484 x .139, buna N 70	CALL	CALL
11	071652Z	Screw, 1/4, 20 x 1 LH phillips pan MS 18-8 S/S, 1 req.	CALL	CALL
12	071657Z	Screw, 1/4-20 x 1 in. hex cap 18-8 S/S, 2 req.	CALL	CALL
13	071660Z	Screw set, 4-40 x 1-1/8 WFE sckt cap 18-8 S/S, 2 req.	CALL	CALL
14	072183	Washer, flat 1/4 x 5/8 20GA thick 18-8 S/S, 2 req.	1.69	2.03
15	072184	Washer, 3/8 ID x 7/8 OD .05 thick 18-8 S/S, 6 req.	1.69	2.03
16	072930	Diffuser assembly	83.81	100.71
17	073128	Impeller, 1 HP	110.03	132.21
18	075713	Rubber washer, WFE pump, 1 req.	1.69	2.03
19	192115Z	O-ring 112, .487 x .103 buna -N 70, 2 req.	CALL	CALL
20	350013Z	O-ring lid CH/WF 2-436, 1 req.	CALL	CALL
21	350015	Housing WFE, almond	251.61	302.33
22	350202	Seal plate kit, almond w/ gasket (Items 23, 35, 36)	221.99	266.74
23	357100Z	Black Gasket for Seal plate	CALL	CALL
24	357151	Lid, see thru WF.	39.57	47.55
24	357156	Lid, Chemical Resistant	74.65	89.70
25	357199	Clamp cam & ramp WF, almond	52.56	63.16

Item	Part No.	Description	US List	Can. List
26	357243	Pot WF assy., almond (contains 1, 7 (qty. 2), 19 (qty. 2), 20, 21, 24, 25)	526.49	632.63
27	350621	Junction Box Cover - Almond	22.38	26.89
28	356879Z	IntelliFlo Variable Speed Drive Kit - Contains Drive and Control Cover Assy.	1574.99	1892.51
29	352401	Motor fan kit, almond (contains fan, shroud, hardware).	191.35	229.93
30	350601	Drive Control Cover assembly kit, almond (contains drive lid, screws, spacer caps, items 31, 32 (qty. 3), 33, 34 (qty. 3))	238.72	286.85
31	350082	Control cover assembly (Not sold individually - order assy kit item 30)	CALL	CALL
32	350107	Screw 10-24 x 3 3/4 in. PH MS 18-8 s/s (qty. 3)	4.62	5.55
33	350108	IntelliFlo drive gasket	9.59	11.52
34	350142	Spacer cap (qty. 3)	33.51	40.27
35	071734S	Seal Kit	33.41	40.15
36	074564Z	Seal Plate - Almond	CALL	CALL
37	350105S	Motor VFD 3.2KW PMSM replacement, almond	CALL	CALL
<b>NOT SHOWN</b>				
	070119	Power end IntelliFlo Variable Speed (Contains items 2 (qty. 4), 10, 11, 13, 15, 16, 17, 18, 19, 22, 28, 37)	CALL	CALL
	350122	50 ft. Communication Cable	186.48	224.07
	357149	Almond Volute/Seal plate Replacement Kit (Items 1, 7 (Qty 2), 19 (Qty 2), 20, 21, 22, 23, 24, 25)	331.07	397.81
	350612	Hardware/gasket assy. kit (contains 3 screws, 3 spacer caps and drive gasket)	119.16	143.18
	357603	Union Kit (contains 2 complete unions for one pump, not included with pump).	123.12	147.94
	350201	Seal plate kit without gasket (Items 35 and 36)	CALL	CALL
	350199	Seal Plate Kit (ozone/salt resistant)	216.81	260.52

# WHISPERFLOXF® PUMP

## REPLACEMENT PARTS



Item	Part No.	Description	US List	Can. List
<b>WHISPERFLO XF PUMP</b>				
1	400000	Wet End Assembly	346.35	416.17
2	See chart on next page	Power End Assembly		
3	410020	Union Kit Without Tap	157.79	189.60
5	400006	Lid/Locking Ring Assembly	60.94	73.23
6	400007Z	XF Series Replacement Basket	38.11	45.79
7	35505-1440	Lid/Locking Ring O-Ring	20.44	24.56
8	192115Z	Drain Plug O-Ring	CALL	CALL
9	071131Z	Drain Plug	CALL	CALL
10	410001	2.5 in. C-Clip Locking Ring	7.72	9.28
11	410002	2.5 in. Union Adapter without Tap	36.56	43.93
12	411000	2.5 in. Union Nut	21.20	25.47
13	410016Z	2.5 in. Seal Kit - (Includes two)	13.05	15.68
14	350336	Diffuser O-Ring	3.60	4.33
15	353323	Diffuser Screw	3.60	4.33
16	See chart on next page	Diffuser		
17	37337-6080	Impeller Reverse Screw	21.22	25.50
18	33455-1047	Impeller Reverse Screw O-Ring	CALL	CALL
19	351446	Seal Plate O-Ring	6.57	7.89

Item	Part No.	Description	US List	Can. List
20	See chart on next page	Impeller Assembly		
21	17351-0101S	Mechanical Seal Assembly	28.74	34.53
22	400002	Seal Plate	228.90	275.05
23	072184	Flat Washer	1.69	2.03
24	U43-12SS	Split Lock Washer	2.92	3.51
25	071413	Acorn Nut	1.34	1.61
26	400004Z	Motor Base	42.27	50.79
27	See chart on next page	Motors		
<b>NOT SHOWN</b>				
	400030Z	Hardware and Orings Kit	69.27	83.23
	400031Z	Seal Plate Kit w/ Mechanical Seal	221.68	266.37
	400012	Riser Plate XF to Challenger	73.13	87.87
	400013Z	Motor End Cap and Screw	28.65	34.43
	357923Z	Fan Guard Kit TEFC/Super-Duty	CALL	CALL

**CALIFORNIA PROPOSITION 65 WARNING**

⚠ **WARNING:** Cancer and Reproductive Harm.  
 ⚠ **AVERTISSEMENT:** Peut Causer le Cancer et des Dommages au Système Reproducteur.  
 ⚠ **ADVERTENCIA:** Cáncer y Daño Reproductivo.  
[www.p65warnings.ca.gov](http://www.p65warnings.ca.gov)

# WHISPERFLOXF® PUMP (CONT'D)

## REPLACEMENT PARTS

Item	Part No.	Description	US List	Can. List	Item	Part No.	Description	US List	Can. List
<b>IMPELLERS</b>					<b>DIFFUSERS</b>				
20	400020Z	XFET-8	128.74	154.69	16	400010	XFET-8	100.17	120.36
20	400015	XFET-12	139.51	167.64	16	400010	XFET-12	100.17	120.36
20	400023Z	XFET-20	150.22	180.50	16	400011Z	XFET-20	108.12	129.92
20	400020Z	XF-8	128.74	154.69	16	400010	XF-8	100.17	120.36
20	400015	XF-12	139.51	167.64	16	400010	XF-12	100.17	120.36
20	400020Z	XFE-8	128.74	154.69	16	400010	XFE-8	100.17	120.36
20	400015	XFE-12	139.51	167.64	16	400010	XFE-12	100.17	120.36
20	400023Z	XFE-20	150.22	180.50	16	400011Z	XFE-20	108.12	129.92
20	400020Z	XFDS-8	CALL	CALL	16	400010	XFDS-8	100.17	120.36
20	400015	XFDS-12	139.51	167.64	16	400010	XFDS-12	100.17	120.36
20	400020Z	XFDS-30	CALL	CALL	16	400010	XFDS-30	100.17	120.36
20	400020Z	XF-30	128.74	154.69	16	400010	XF-30	100.17	120.36
20	400020Z	XFE-30	128.74	154.69	16	400010	XFE-30	100.17	120.36
20	400020Z	XFJ-8	128.74	154.69	16	400010	XFJ-8	100.17	120.36
20	400015	XFJ-12	139.51	167.64	16	400010	XFJ-12	100.17	120.36
20	400023Z	XFJ-20	150.22	180.50	16	400011Z	XFJ-20	108.12	129.92
20	400020Z	XFK-8	128.74	154.69	16	400010	XFK-8	100.17	120.36
20	400015	XFK-12	139.51	167.64	16	400010	XFK-12	100.17	120.36
20	400023Z	XFK-20	150.22	180.50	16	400011Z	XFK-20	108.12	129.92
<b>MOTORS</b>					<b>POWER ENDS</b>				
27	354815S	2hp 1-Phase TEFC 208-230V	CALL	CALL	2	400632Z	2hp 1-Phase TEFC 208-230V	1375.29	1652.55
27	354817S	3hp 1-Phase TEFC 208-230V	CALL	CALL	2	400633Z	3hp 1-Phase TEFC 208-230V	1650.66	1983.43
27	354819S	5hp 1-Phase TEFC 208-230V	CALL	CALL	2	400634Z	5hp 1-Phase TEFC 208-230V	1782.17	2141.46
27	355026S	2hp Standard E 230V	CALL	CALL	2	400612Z	2hp Standard E 230V	1265.20	1520.26
27	355033S	3hp Standard E 230V	CALL	CALL	2	400613Z	3hp Standard E 230V	1353.47	1626.33
27	355014S	2hp High Eff 208-230V	CALL	CALL	2	400609Z	2hp High Eff 208-230V	1285.33	1544.45
27	355016S	3hp High Eff 208-230V	CALL	CALL	2	400610Z	3hp High Eff 208-230V	1542.67	1853.67
27	353317S	5hp High Eff 208-230V	CALL	CALL	2	400611Z	5hp High Eff 208-230V	1665.58	2001.36
27	359526S	2hp 2 Speed 230V	CALL	CALL	2	400607Z	2hp 2 Speed 230V	1418.68	1704.69
27	353316S	3hp 2 Speed 230V	CALL	CALL	2	400608Z	3hp 2 Speed 230V	1557.89	1871.96
27	359526S	2.5hp Uprated 2 Speed 230V	CALL	CALL	2	400607Z	2.5hp Uprated 2 Speed 230V	1418.68	1704.69
27	355026S	2.5hp Uprated Standard E 230V	CALL	CALL	2	400612Z	2.5hp Uprated Standard E 230V	1265.20	1520.26
27	355014S	2.5hp Uprated High E 208-230V	CALL	CALL	2	400609Z	2.5hp Uprated High E 208-230V	1285.33	1544.45
27	354809S	2hp 3 Phase 208-230-460V	CALL	CALL	2	400617Z	2hp 3 Phase 208-230-460V	1323.09	1589.82
27	354811S	3hp 3 Phase 208-230-460V	CALL	CALL	2	400618Z	3hp 3 Phase 208-230-460V	1411.11	1695.59
27	354813S	5hp 3 Phase 208-230-460V	CALL	CALL	2	400619Z	5hp 3 Phase 208-230-460V	1628.81	1957.18

**Note: Pumps and replacement motors that are single speed and one (1) Total HP or greater cannot be sold, offered for sale, or installed in a residential pool for filtration use in California, Title 20 CCR sections 1601-1609.**

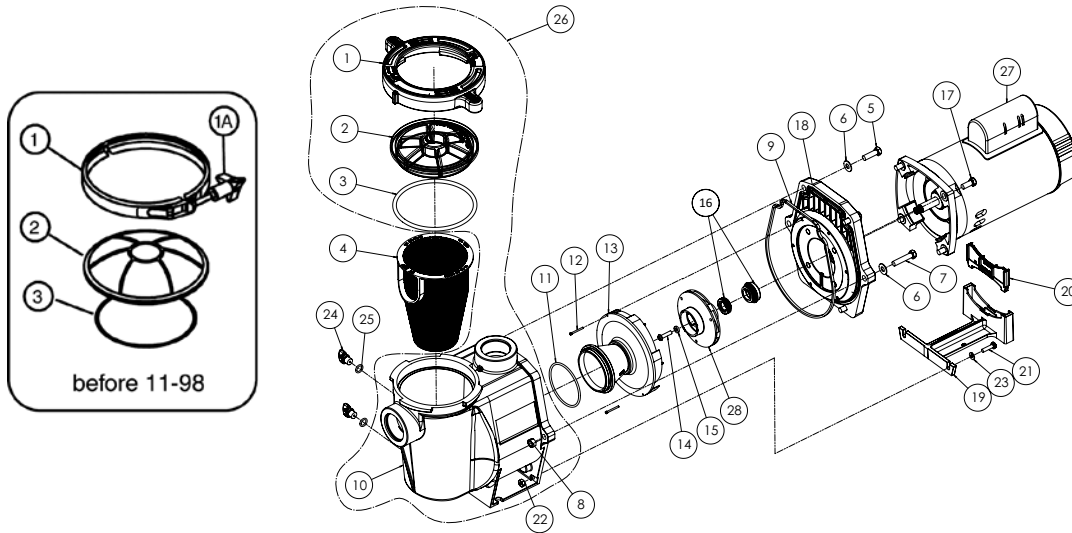
CALIFORNIA PROPOSITION 65 WARNING

⚠ **WARNING:** Cancer and Reproductive Harm.  
 ⚠ **AVERTISSEMENT:** Peut Causer le Cancer et des Dommages au Système Reproducteur.  
 ⚠ **ADVERTENCIA:** Cáncer y Daño Reproductivo.

[www.p65warnings.ca.gov](http://www.p65warnings.ca.gov)
PN2017A

# WHISPERFLO® PUMP

## REPLACEMENT PARTS



Item	Part No.	Description	US List	Can. List
<b>WHISPERFLO PUMPS</b>				
1	070711	Clamp band assembly, SS, WF/AQ <sup>5</sup> (old style)	97.34	116.96
1	357150	Clamp, Cam & Ramp™, plastic, black, WF <sup>7</sup>	52.56	63.16
1	357199	Clamp, Cam & Ramp, plastic, almond, WF <sup>8</sup>	52.56	63.16
1A	071136Z	Knob, only <sup>5</sup>	25.41	30.53
2	070795	Cover, clear, AQ/WFE pump <sup>5</sup> (old style)	55.04	66.14
2	357151	Cover, clear, WFE pump <sup>6</sup>	39.57	47.55
2	357156	Cover, chemical resistant Cam & Ramp	74.65	89.70
3	071422	O-ring, AQ/WFE cover <sup>5</sup>	7.63	9.17
3	350013Z	O-ring, WFE cover <sup>6</sup>	CALL	CALL
4	070387Z	Basket	CALL	CALL
5	070430	Bolt, 3/8, 16 x 1-1/4 hex hd. SS, 4 req.	2.76	3.32
6	072184	Washer, 3/8 x 13/16 o.d. SS, 6 req.	1.69	2.03
7	070431	Bolt, 3/8, 16 x 1-3/4 hex hd. SS, 2 req.	3.03	3.64
8	071403	Nut, 3/8, 16 hex hd., 2 req.	1.69	2.03
9	071445	O-ring parker No.2-265, WFE pump <sup>1,4</sup>	19.01	22.84
9	357100Z	Black Gasket for Seal Plate <sup>14</sup>	CALL	CALL
9	357102Z	Almond Gasket for Seal Plate <sup>15</sup>	CALL	CALL
10	357149	Volute & Sealplate, Almond Replacement Kit <sup>6</sup>	331.07	397.81
10	350015	Volute, almond	251.61	302.33
10	357157	Volute, black	251.61	302.33
11	355227Z	O-ring parker No.2-238, WFE pump	CALL	CALL
12	071660Z	Set screw, 4-40 x 1-1/8 WFE, 2 req.	CALL	CALL
13	072928	Diffuser assembly, WFE-12, 3 HP; WFK-12, 3HP models	100.17	120.36
13	072927Z	Diffuser assembly, WFE-2-8, 1/2 HP - 2-1/2 HP	CALL	CALL
14	071652Z	Set screw, 1/4, 20 x 1 lh. phillips	CALL	CALL

Item	Part No.	Description	US List	Can. List
15	075713	Rubber washer, WFE pump	1.69	2.03
16	071734S	Seal PA-7 w/ ceramic seat, PS1000	33.41	40.15
17	070429ZZ	Bolt, 3/8, 16 x 7/8 SS hex hd., 4 req.	CALL	CALL
18	350202	Seal Plate Kit, Almond with Gasket (Includes Mechanical Seal Installed and Seal Plate Gasket) Items 9, 16 & 18	221.99	266.74
18	350101	Seal Plate Kit WFE Black (Includes Mechanical Seal installed) Items 16 & 18	CALL	CALL
19	070927	Foot, WFE-4 pump, almond	42.27	50.79
19	357159	Foot, black <sup>9</sup>	42.27	50.79
20	070929	Foot insert, WFE pump, almond	21.21	25.49
20	357160	Foot insert, WFE pump, black <sup>9</sup>	21.21	25.49
21	071657Z	Screw, 1/4, 20 x 1 in. hh. SS, 2 req.	CALL	CALL
22	071406	Nut, 1/4, 20 hex. hd. SS, 2 req.	1.69	2.03
23	072183	Washer, flat 1/4 x 5/8, 2 req.	1.69	2.03
24	071131Z	Knob plug drain, 2 req., almond	CALL	CALL
24	357161Z	Knob plug drain, 2 req., black <sup>9</sup>	CALL	CALL
25	192115Z	O-Ring drain plug, 2 req.	CALL	CALL
26	357149	Almond Volute/Seal plate kit <sup>6</sup> (Includes items 1-4, 9, 10, 16, 18, 24, 25.)	331.07	397.81

<b>MOTORS</b>				
27	354803S	3/4 HP, 1SP, TEFC	CALL	CALL
27	354821S	1 HP, 1SP, TEFC, WFET- 4	CALL	CALL
27	354823S	1-1/2 HP, 1SP, TEFC, WFET- 6	CALL	CALL
27	354815S	2 HP, 1SP, TEFC, WFET- 8	CALL	CALL
27	354817S	3 HP, 1SP, TEFC, WFET- 12	CALL	CALL
27	355008S	3/4 HP, 1SP, WFE- 2, 3 & 24	CALL	CALL
27	355010S	1 HP, 1SP, WFE- 4 & 26	CALL	CALL
27	355012S	1-1/2 HP, 1SP, WFE- 6 & 28	CALL	CALL
27	355014S	2 HP, 1SP, WFE-8 & 30	CALL	CALL

Note: Pumps and replacement motors that are single speed and one (1) Total HP or greater cannot be sold, offered for sale, or installed in a residential pool for filtration use in California, Title 20 CCR sections 1601-1609.

CALIFORNIA PROPOSITION 65 WARNING

▲ **WARNING:** Cancer and Reproductive Harm.  
▲ **AVERTISSEMENT:** Peut Causer le Cancer et des Dommages au Système Reproducteur.  
▲ **ADVERTENCIA:** Cáncer y Daño Reproductivo.

[www.p65warnings.ca.gov](http://www.p65warnings.ca.gov)
PH 2017L4

Product on pages 184–185.

# WHISPERFLO® PUMP (CONT'D)

## REPLACEMENT PARTS

Item	Part No.	Description	US List	Can. List
<b>MOTORS</b>				
27	355016S	3 HP, 1SP, WFE-12,	CALL	CALL
27	350088S	3/4 HP, 2 sp., WFDS-3	CALL	CALL
27	356630S	1 HP, 2 sp., WFDS-4 & 26 <sup>11</sup>	CALL	CALL
27	071320S	1-1/2 HP, 2 sp., WFDS-6 & 28 <sup>11</sup>	CALL	CALL
27	071321S	2 HP, 2 sp., WFDS-8 & 30 <sup>11</sup>	CALL	CALL
27	355018S	1/2 HP, 1SP, WF-2, 23	CALL	CALL
27	355020S	3/4 HP, 1SP, WF-3, 24	CALL	CALL
27	355022S	1 HP, 1SP, WF-4, 26	CALL	CALL
27	355024S	1-1/2 1SP, HP, WF-6, 28	CALL	CALL
27	355026S	2 HP, 1SP, WF-8, 30	CALL	CALL
27	355033S	3 HP, 1SP, WF-12	CALL	CALL
27	355002S	1/2 HP, 3PH, 1SP	CALL	CALL
27	355001S	3/4 HP, 3PH, 1SP	CALL	CALL
27	354805S	1 HP, 3PH, 1SP, WFK-4	CALL	CALL
27	354807S	1.5 HP, 3PH, 1SP, WFK-6	CALL	CALL
27	354809S	2 HP, 3PH, 1SP, WFK-8	CALL	CALL
27	354811S	3 HP, 3PH, 1SP, WFK-12	CALL	CALL
<b>IMPELLERS</b>				
28	073126	Impeller (WF-2, WF-23, WFE-2, WFK-2.)	110.03	132.21
28	073127	Impeller (WFE-3, WFE-24, WF-3, WF-24, WFK-3, WFDS-3, WFDS-24)	110.03	132.21
28	073128	Impeller (WFE-4, WFE-26, WF-4, WF-26, WFK-4, WFDS-4, WFDS-26)	110.03	132.21
28	073129	Impeller (WF-6, WF-28, WFE-6, WFE-28, WFK-6, WFDS-6, WFDS-28)	110.03	132.21
28	073130	Impeller (WF-8, WF-30, WFE-8, WFE-30, WFK-8, WFDS-8, WFDS-30)	110.03	132.21
28	073131	Impeller (WFE-12, WF-12, WFK-12)	110.03	132.21
<b>POWER END SUBASSY. INCLUDES ITEMS No. 12 THRU 18, 27, 28</b>				
	075251	WF-2, WF-23	CALL	CALL
	075145	WFDS-3, WFDS-24	CALL	CALL
	075136	WFE-2	CALL	CALL
	075137	WFE-3, WFE-24 <sup>3</sup>	CALL	CALL
	075138	WFE-4, WFE-26 <sup>3</sup>	CALL	CALL
	075139	WFE-6, WFE-28 <sup>3</sup>	CALL	CALL
	075140	WFE-8, WFE-30 <sup>3</sup>	CALL	CALL
	075141	WFE-12 <sup>3</sup>	CALL	CALL
	075142	WFDS-4, WFDS-26 <sup>11</sup>	CALL	CALL
	075143	WFDS-6, WFDS-28 <sup>11</sup>	CALL	CALL
	075144	WFDS-8, WFDS-30 <sup>11</sup>	CALL	CALL
<b>POWER END SUBASSY. INCLUDES ITEMS No. 12 THRU 18, 27, 28 , CONT.</b>				
	075252	WF-3, WF-24 <sup>10</sup>	CALL	CALL
	075253	WF-4, WF-26 <sup>10</sup>	CALL	CALL
	075254	WF-6, WF-28 <sup>10</sup>	CALL	CALL
	075255	WF-8, WF-30 <sup>10</sup>	CALL	CALL
	075256	WF-12 <sup>10</sup>	CALL	CALL

Item	Part No.	Description	US List	Can. List
<b>FLUID ENDS-ALL PARTS, W/O MOTOR</b>				
	075452	WFE-3 fluid end, 3/4 HP	CALL	CALL
	075453	WFE-4 fluid end, 1 HP	CALL	CALL
	075454	WFE-6 fluid end, 1-1/2 HP	CALL	CALL
	075455	WFE-8 fluid end, 2 HP	CALL	CALL
	075456	WFE-12 fluid end, 3 HP	CALL	CALL
<b>NOT SHOWN</b>				
	79129900	2-Speed Toggle Switch with Mounting plate	53.80	64.65
	350202	Seal Plate Kit: Seal plate (almond), Gasket (black), with installed Seal (Includes items 9, 16, & 18)	221.99	266.74
	350203	Seal Plate Kit: Seal plate (black), Gasket (black), with installed Seal (Includes items 9, 16, & 18)	221.99	266.74
	357243	Pot Assembly, Almond NPT. (Includes items 1-4, 10, 24 (qty. 2), 25 (qty. 2))	526.49	632.63
	357244	Pot Assembly, Black NPT. (Includes items 1-4, 10, 24 (qty. 2), 25 (qty. 2))	526.49	632.63
	355001S	Motor for Pump 011021	CALL	CALL
	355002S	Motor for Pump 340061	CALL	CALL
	400013Z	Motor End Cap and Screw	28.65	34.43
	357923Z	Fan Guard Kit TEFC/Super-Duty	CALL	CALL
	350199	Seal Plate Kit (ozone/salt resistant)	216.81	260.52

- <sup>1</sup> Used on pumps manufactured before 6-94.
- <sup>2</sup> Used on pumps manufactured after 6-94.
- <sup>3</sup> Energy efficient single phase.
- <sup>4</sup> Pumps manufactured before 11-98 require a volute replacement kit (357149) when replacing items No.9-gasket, No.10-volute, or No.18-seal plate. This kit will update the pump to the new configuration using the "Cam and Ramp" lid design.
- <sup>5</sup> Used on pumps manufactured before 11-98.
- <sup>6</sup> Used on pumps manufactured after 11-98. Includes items 1-4, 9, 10, 16, 18, 24, 25.
- <sup>7</sup> Used on pumps manufactured between 11-98 thru 12-17-99.
- <sup>8</sup> Used on pumps manufactured after 12-17-99.
- <sup>9</sup> CSA/CUL (only) for Canada.
- <sup>10</sup> Standard efficiency, single phase.
- <sup>11</sup> Two Speed, single phase.
- <sup>12</sup> Includes items 16 & 18.
- <sup>14</sup> 2-1-08 to present.
- <sup>15</sup> 1-31-08 and prior.

**Note: Pumps and replacement motors that are single speed and one (1) Total HP or greater cannot be sold, offered for sale, or installed in a residential pool for filtration use in California, Title 20 CCR sections 1601-1609.**

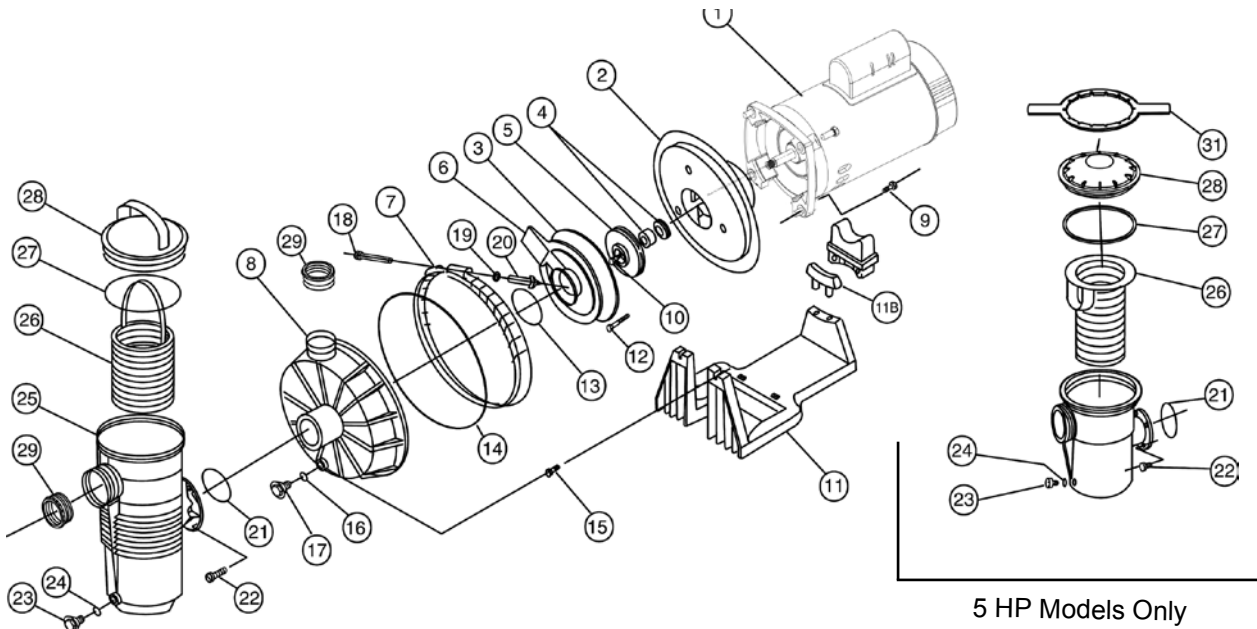
CALIFORNIA PROPOSITION 65 WARNING

▲ **WARNING:** Cancer and Reproductive Harm.  
▲ **AVERTISSEMENT:** Peut Causer le Cancer et des Dommages au Système Reproducteur.  
▲ **ADVERTENCIA:** Cáncer y Daño Reproductivo.

www.p65warnings.ca.gov. PH2011A

# CHALLENGER® HIGH FLOW PUMP

## REPLACEMENT PARTS



5 HP Models Only

Item	Part No.	Description	US List	Can. List
<b>CHALLENGER HIGH FLOW PUMP MOTORS</b>				
1	354804S	3/4HP, 1SP,1PH, TEFC, 115/208-230	CALL	CALL
1	354822S	1HP, 1SP,1PH, TEFC, 115/208-230	CALL	CALL
1	354824S	1-1/2HP, 1SP,1PH, TEFC, 208-230	CALL	CALL
1	354816S	2HP, 1SP,1PH, TEFC, 208-230	CALL	CALL
1	355019S	1/2F, 3/4A std. sq. fig., 115/208-230	CALL	CALL
1	355021S	3/4F, 1A std. sq. fig., 115/208-230	CALL	CALL
1	355023S	1F, 1-1/2A std. sq. fig., 115/208-230	CALL	CALL
1	355025S	1-1/2F, 2A std. sq. fig., 115/208-230	CALL	CALL
1	355027S	2F, 2-1/2A std. sq. fig., 208-230	CALL	CALL
1	355034S	3F std. sq. fig. 230 only	CALL	CALL
1	355009S	3/4FE, 1AE sq. fig. 115/208-230	CALL	CALL
1	355011S	1FE, 1-1/2AE sq. fig. 115/208-230	CALL	CALL
1	355013S	1-1/2FE, 2AE sq. fig. 208-230	CALL	CALL
1	355015S	2FE, 2-1/2AE sq. fig. 208-230	CALL	CALL
1	355017S	3FE, 1 ph sq. fig. 208-230	CALL	CALL
1	353319S	5FE, 1 ph, 5 HP, 208-230	CALL	CALL
1	355375S	3/4F, 1A std. sq. fig. 2 sp. 115 only, 28 lbs.	CALL	CALL
1	355232S	3/4F, 1A std. sq. fig. 2 sp. 230 only	CALL	CALL
1	355376S	1F, 1-1/2A std. sq. fig. 2 sp. 230 only	CALL	CALL
1	355377S	1-1/2F, 2A std. sq. fig. 2 sp. 230 only	CALL	CALL

Item	Part No.	Description	US List	Can. List
1	355378S	2F, 2-1/2A std. sq. fig. 2 sp. 230 only	CALL	CALL
2	355004	Plate, seal - black	111.99	134.57
3	355028	Plate, mounting 1/2F, 3/4F, 3/4A, 1A	26.10	31.36
3	355078	Plate, mounting 1F, 1-1/2F, 1-1/2A, 2A	16.43	19.74
3	355095	Plate, mounting 2F, 2-1/2A	28.36	34.08
3	355495	Plate, mounting 5F	15.17	18.23
4	354545S	Seal, 5/8 in. mechanical	31.55	37.91
5	355043	Impeller, 1/2F, 3/4A	59.99	72.08
5	355067	Impeller, 3/4F, 1A	61.18	73.51
5	355074	Impeller, 1F, 1-1/2A	61.90	74.38
5	355086	Impeller, 1-1/2F, 2A	62.34	74.91
5	355093	Impeller, 2F, 2-1/2A	63.47	76.27
5	355068	Impeller, 3F 50 Hz/5F 60 Hz	61.18	73.51
6	355029	Diffuser, 1/2F, 3/4F, 3/4A, 1A	44.57	53.56
6	355077	Diffuser, 1F, 1-1/2F, 1-1/2A, 2A	44.57	53.56
6	355094	Diffuser, 2F, 2-1/2A	47.77	57.40
6	355069	Diffuser, 3F, 50 Hz/5F 60 Hz	41.21	49.52
7	354629	Band clamp assembly, complete	87.66	105.33

**Note:** Pumps and replacement motors that are single speed and one (1) Total HP or greater cannot be sold, offered for sale, or installed in a residential pool for filtration use in California, Title 20 CCR sections 1601-1609.

CALIFORNIA PROPOSITION 65 WARNING

⚠️ **WARNING:** Cancer and Reproductive Harm.  
 ⚠️ **AVERTISSEMENT:** Peut Causer le Cancer et des Dommages au Système Reproducteur.  
 ⚠️ **ADVERTENCIA:** Cáncer y Daño Reproductivo.  
[www.p65warnings.ca.gov](http://www.p65warnings.ca.gov)

Product on pages 186–187.  
 Replacement baskets on page 148.

# CHALLENGER® HIGH FLOW PUMP (CONT'D)

## REPLACEMENT PARTS

Item	Part No.	Description	US List	Can. List
<b>CHALLENGER HIGH FLOW PUMPS</b>				
8	355468	Housing, front, black <sup>4</sup>	163.47	196.43
8	355469	Housing, front, almond <sup>4</sup>	163.47	196.43
9	070429Z2	Bolt 3/8-16 x 7/8 SS hex hd cap 18-8. 4 req.	CALL	CALL
10	355389	Screw, impeller locking	1.69	2.03
11	355305	Base, pump <sup>1</sup>	54.52	65.51
11B	355385	Adapter, 5-5/8 in. dia. motor <sup>2</sup>	13.92	16.73
12	355334Z	Screw, No.8, 32 hex wsh. hd., 3 req.	CALL	CALL
13	355030Z	O-ring, diffuser (all except 5 HP)	CALL	CALL
13	355331Z	O-ring diffuser, 5 HP only	CALL	CALL
14	355329Z	O-ring, front housing	CALL	CALL
15	355335	Screw, 5/16, 18 x 1/2 in. SS hex hd., 2 req.	1.69	2.03
16	192115Z	O-ring, drain plug	CALL	CALL
17	357161Z	Plug, 1/4 in. drain	CALL	CALL
18	152060	Bolt, 5/16, 18 x 4 in. carriage <sup>2</sup>	11.81	14.19
19	072173	Washer, 5/16 in. SS flat	1.95	2.34
20	174882	Knob (fits clamp w/ removable bolt only)	38.77	46.59
20	175025	Knob (fits clamp w/ captured T-bolt only)	38.77	46.59
21	355330	O-ring, strainer pot flange	1.95	2.34
22	354265	Screw, 5/16, 18 hex wsh. hd., 4 req.	2.36	2.84
23	357161Z	Plug, 1/4 in. drain	CALL	CALL
24	192115Z	O-ring, drain plug	CALL	CALL
25	355300	Strainer, pot, black <sup>3</sup>	161.16	193.65
26	355318Z	Basket, plastic strainer	CALL	CALL
26	355441	Basket, SS Strainer (3F Only)	208.34	250.34
26	355901	Basket, SS strainer, 5F	451.63	542.68
27	350013Z	O-ring, lid	CALL	CALL
27	152509Z	Square ring, 8-1/2 in. (5 HP only)	CALL	CALL
28	355301	Lid, strainer pot	70.95	85.25
28	354112	Lid, strainer pot, chemical resistant	70.95	85.25
28	355902	Lid, strainer pot, 5F, clear	82.31	98.90
28	355914	Lid, strainer pot, 5F, black, chemical resistant	69.23	83.19
29	552377	Bushing, reducer 1/2F, 3/4F, 3/4A, 1A, 2 req.	15.77	18.95
31	154527	Wrench, 8-1/2 in.	32.30	38.81

Item	Part No.	Description	US List	Can. List
<b>POWER END ASSEMBLIES (INCLUDES ITEMS 1-6, 9, 12 AND 13)</b>				
	355637	CF-N1-3/4F, 1A std., 115/208-230	CALL	CALL
	355638	CF-N1-1F, 1-1/2A std., 115/208-230	CALL	CALL
	355520	CF-N1-1-1/2F, 2A std., 115/208-230	CALL	CALL
	355984	CF-N1-3/4FE, 1AE 115/208-230	CALL	CALL
	355639	CF-N1-1-1/2FE, 2AE 208-230	CALL	CALL
	355986	CF-N1-2FE, 2-1/2AE 208-230	CALL	CALL
	355640	CF-N2-3/4F, 1A 2 sp. std., 115 only	CALL	CALL
	355641	CF-N2-1F, 1-1/2A 2 sp. std., 230 only	CALL	CALL
	355642	CF-N2-1-1/2F, 2A 2 sp. std., 230 only	CALL	CALL
	355987	CF-N2-2F, 2-1/2A 2 sp. std., 230 only	CALL	CALL
	345211	CFII-N1-5FE, power end	CALL	CALL
<b>NOT SHOWN</b>				
	355309	Union kit	120.80	145.15
	357391	Pot Assembly, Black with SS basket (3F Only) Includes items 23-28	759.97	913.18
	359507	Pot Assembly, Black with plastic bracket (all models except 3F and 5F) Includes items 23-28.	284.45	341.80
	401014Z	Motor End Cap and Screw	28.65	34.43
	357924Z	Fan Guard Kit TEFC/Super-Duty	CALL	CALL

<sup>1</sup> Pump base (item 11) includes dual radius motor support adapter (item 11B) which fits both 5-5/8 in. & 6-1/2 in. dia. motors.

<sup>2</sup> Item 18, carriage bolt is a replacement part for old style clamp band assembly (item 7).

<sup>3</sup> Includes items 23 & 24.

<sup>4</sup> Includes items 16 & 17.

Note: Challenger booster pumps consist of 1-20.

Note: Challenger pumps consist of all items except No.15.

Note: When ordering replacement motor, give all information on motor name plate.

**Note: Pumps and replacement motors that are single speed and one (1) Total HP or greater cannot be sold, offered for sale, or installed in a residential pool for filtration use in California, Title 20 CCR sections 1601-1609.**

CALIFORNIA PROPOSITION 65 WARNING

▲ **WARNING:** Cancer and Reproductive Harm.  
▲ **AVERTISSEMENT:** Peut Causer le Cancer et des Dommages au Système Reproducteur.  
▲ **ADVERTENCIA:** Cáncer y Daño Reproductivo.

www.p65warnings.ca.gov. PR020716A

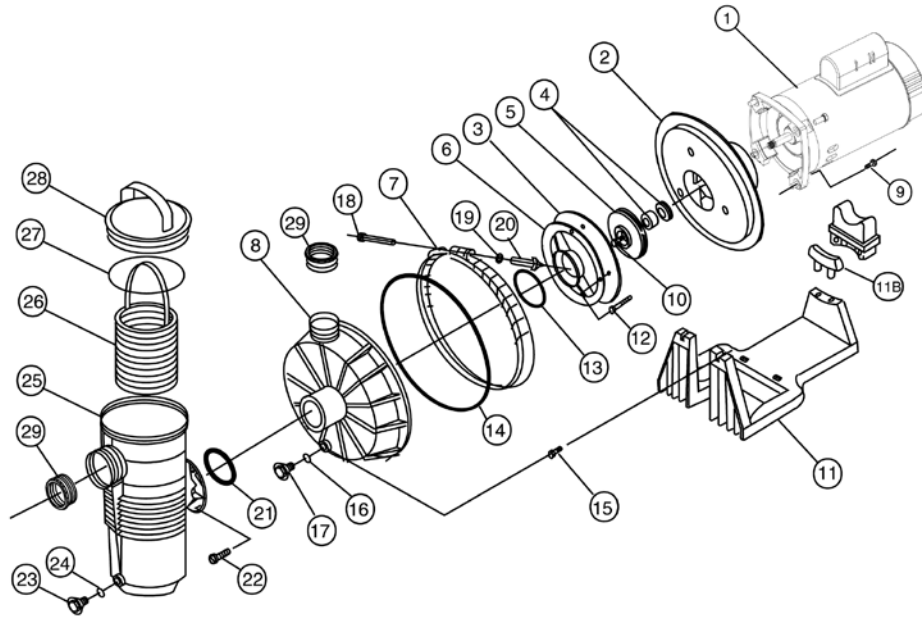
Product on pages 186-187.

Replacement baskets on page 148.



# CHALLENGER® HIGH PRESSURE PUMP

## REPLACEMENT PARTS



Item	Part No.	Description	US List	Can. List
<b>CHALLENGER HIGH PRESSURE PUMP MOTORS</b>				
1	354804S	3/4HP, 1SP,1PH, TEFC, 115/208-230	CALL	CALL
1	354822S	1HP, 1SP,1PH, TEFC, 115/208-230	CALL	CALL
1	354824S	1-1/2HP, 1SP,1PH, TEFC, 208-230	CALL	CALL
1	354816S	2HP, 1SP,1PH, TEFC, 208-230	CALL	CALL
1	354818S	3HP, 1SP, 1PH, TEFC, 208-230	CALL	CALL
1	355019S	1/2F, 3/4A std. sq. fig., 115/208-230	CALL	CALL
1	355021S	3/4F, 1A std. sq. fig., 115/208-230	CALL	CALL
1	355023S	1F, 1-1/2A std. sq. fig., 115/208-230	CALL	CALL
1	355025S	1-1/2F, 2A std. sq. fig., 115/208-230	CALL	CALL
1	355027S	2F, 2-1/2A std. sq. fig., 208-230	CALL	CALL
1	355034S	3F std. sq. fig. 230 only	CALL	CALL
1	355009S	3/4FE, 1AE sq. fig. 115/208-230	CALL	CALL
1	355011S	1FE, 1-1/2AE sq. fig. 115/208-230	CALL	CALL
1	355013S	1-1/2FE, 2AE sq. fig. 208-230	CALL	CALL
1	355015S	2FE, 2-1/2AE sq. fig. 208-230	CALL	CALL
1	355017S	3FE, 1 ph sq. fig. 208-230	CALL	CALL
1	353319S	5FE, 1 ph, 5 HP, 208-230	CALL	CALL
1	355375S	3/4F, 1A std. sq. fig. 2 sp. 115 only, 28 lbs.	CALL	CALL
1	355232S	3/4F, 1A std. sq. fig. 2 sp. 230 only	CALL	CALL
1	355376S	1F, 1-1/2A std. sq. fig. 2 sp. 230 only	CALL	CALL
1	355377S	1-1/2F, 2A std. sq. fig. 2 sp. 230 only	CALL	CALL
1	355378S	2F, 2-1/2A std. sq. fig. 2 sp. 230 only	CALL	CALL
1	354806S	1 HP, 3 ph sq. fig. 208-230/460	CALL	CALL
1	354808S	1-1/2 HP, 3 ph sq. fig. 208-230/460	CALL	CALL
1	354810S	2 HP, 3 ph sq. fig. 208-230/460	CALL	CALL
1	354812S	3HP, 3 ph sq. fig. 208-230/460	CALL	CALL
1	354814S	5HP, 3 ph, sq. fig. 208-230/460	CALL	CALL
2	355004	Plate, seal - black	111.99	134.57

Item	Part No.	Description	US List	Can. List
3	355384	Plate, mounting 1/2F, 3/4A	33.45	40.19
3	355317	Plate, mount 3/4F thru 3F, 1A thru 2-1/2A	16.43	19.74
4	354545S	Seal, 5/8 in. mechanical PS 200	31.55	37.91
5	355147	Impeller, 1/2F, 3/4A	59.99	72.08
5	355187	Impeller, 3/4F, 1A	61.18	73.51
5	355369	Impeller, 1F, 1-1/2A	62.07	74.58
5	355315	Impeller, 1-1/2F, 2A	62.34	74.91
5	355604	Impeller, 2F, 2-1/2A <sup>1</sup>	63.04	75.75
5	355544	Impeller, 3F	81.41	97.82
6	355148	Diffuser, 1/2F, 3/4A	36.55	43.92
6	355188	Diffuser, 3/4F, 1F, 1A, 11/2A	35.61	42.79
6	355270	Diffuser, 1-1/2F, 2A	36.80	44.22
6	355545	Diffuser, 3F, 2.5A, 2F <sup>2</sup>	60.82	73.08
7	355320	Band, clamp assembly complete	95.51	114.76
8	355468	Housing, front, black	163.47	196.43
8	355469	Housing, front, almond	163.47	196.43
9	070429ZZ	Bolt 3/8-16 x 7/8 SS Hex Cap 18-8. 4 req.	CALL	CALL
10	355389	Screw, imp. locking	1.69	2.03
11	355305	Base, pump <sup>3</sup>	54.52	65.51
11B	355385	Adapter, 5-5/8 in. dia. motor <sup>4</sup>	13.92	16.73
12	355334Z	Screw, 8-32 x 1 in. SS hex wsh. hd., 3 req.	CALL	CALL
13	355331Z	O-ring, diffuser	CALL	CALL

**Note: Pumps and replacement motors that are single speed and one (1) Total HP or greater cannot be sold, offered for sale, or installed in a residential pool for filtration use in California, Title 20 CCR sections 1601-1609.**

**CALIFORNIA PROPOSITION 65 WARNING**

⚠ **WARNING:** Cancer and Reproductive Harm.  
 ⚠ **AVERTISSEMENT:** Peut Causer le Cancer et des Dommages au Système Reproducteur.  
 ⚠ **ADVERTENCIA:** Cáncer y Daño Reproductivo.  
[www.p65warnings.ca.gov](http://www.p65warnings.ca.gov)

Product on pages 188–189  
 Replacement baskets on page 148.

# CHALLENGER® HIGH PRESSURE PUMP (CONT'D)

## REPLACEMENT PARTS

Item	Part No.	Description	US List	Can. List
<b>CHALLENGER HIGH PRESSURE PUMPS</b>				
14	355329Z	O-ring, front housing	CALL	CALL
15	355335	Screw, 5/16 in., 18 x 1/2 in. SS hex wsh. hd., 2 req.	1.69	2.03
16	192115Z	O-ring, drain plug	CALL	CALL
17	357161Z	Plug, 1/4 in. drain	CALL	CALL
18	152060	Bolt, 5/16 in., 18 x 4 in. carriage <sup>5</sup>	11.81	14.19
19	072173	Washer, 5/16 in. SS flat	1.95	2.34
20	174882	Knob (fits clamp w/ removable bolt only)	38.77	46.59
20	175025	Knob (fits clamp w/ captured t-bolt only)	38.77	46.59
21	355330	O-ring, strainer pot flange	1.95	2.34
22	354265	Screw, 5/16 in., 18 x 3/4 in. SS hex wsh. hd., 4 req.	2.36	2.84
23	357161Z	Plug, 1/4 in. drain	CALL	CALL
24	192115Z	O-ring, drain plug	CALL	CALL
25	355300	Pot strainer	161.16	193.65
26	355318Z	Basket, plastic strainer (all except 3F)	CALL	CALL
26	355441	Basket, SS strainer (3F only)	208.34	250.34
27	350013Z	O-ring, lid	CALL	CALL
28	355301	Lid, strainer pot	70.95	85.25
28	354112	Lid, strainer pot chemical resistant	70.95	85.25
29	552377	Bushing, reducer 1/2F, 3/4F, 3/4A, 1A	15.77	18.95

<b>POWER END ASSEMBLIES (INCLUDES ITEMS 1-6, 9, 10, 12 AND 13)</b>				
	355670	CH-N1-1/2F, 3/4A std. power end 115/208-230	CALL	CALL
	355671	CH-N1-3/4F, 1A std. power end 115/208-230	CALL	CALL
	355672	CH-N1-1F, 1-1/2A std. power end 115/208-230	CALL	CALL
	355669	CH-N1-11/2F, 2A std. power end 115/208-230	CALL	CALL
	355674	CH-N1-1FE, 1-1/2AE power end 115/208-230	CALL	CALL
	355675	CH-N1-1-1/2FE, 2AE power end 208-230	CALL	CALL
	355676	CH-N1-2FE, 2-1/2AE power end 208-230 <sup>1</sup>	CALL	CALL
	355677	CH-N1-3FE, 1 ph power end 208-230	CALL	CALL
	355679	CH-N2-3/4F, 1A 2 sp. std. power end 115 only	CALL	CALL
	355680	CH-N2-1F, 1-1/2A 2 sp. std. power end 230 only	CALL	CALL
	355681	CH-N2-1-1/2F, 2A 2 sp. std. power end 230 only	CALL	CALL
	355682	CH-N2-2F, 2-1/2A 2 sp. std. power end 230 only	CALL	CALL

Item	Part No.	Description	US List	Can. List
<b>NOT SHOWN</b>				
	355302	Housing booster pump	226.19	271.79
	355309	Union Kit	120.80	145.15
	357391	Pot Assembly, Black with SS basket (3F Only) Includes items 23-28	759.97	913.18
	359507	Pot Assembly, Black with plastic bracket (all models except 3F and 5F) Includes items 23-28.	284.45	341.80
	401014Z	Motor End Cap and Screw	28.65	34.43
	357924Z	Fan Guard Kit TEFC/Super-Duty	CALL	CALL

<sup>1</sup> Used on 2F, 2-1/2A pumps built after 10-1-92.

<sup>2</sup> Used on 2F, 2-1/2A pumps built prior to 10-1-92. Must replace w/ both diffuser 355545 & impeller 355604.

<sup>3</sup> Pump base, (item 11) includes dual radius motor support adapter (item 11B), which fits both 5-5/8 in. & 6-1/2 in. dia. motors.

<sup>4</sup> Item 11A motor support is a replacement part that fits only older style pump bases with rectangular opening.

<sup>5</sup> Carriage bolt (item 18) fits prev. style clamp band assembly (item 7).

Note: Challenger booster pumps consist of items 1-20.

Note: Challenger pool pumps consist of all items except item 15.

**Note: Pumps and replacement motors that are single speed and one (1) Total HP or greater cannot be sold, offered for sale, or installed in a residential pool for filtration use in California, Title 20 CCR sections 1601-1609.**

Product on pages 188-189.

Replacement baskets on page 148.

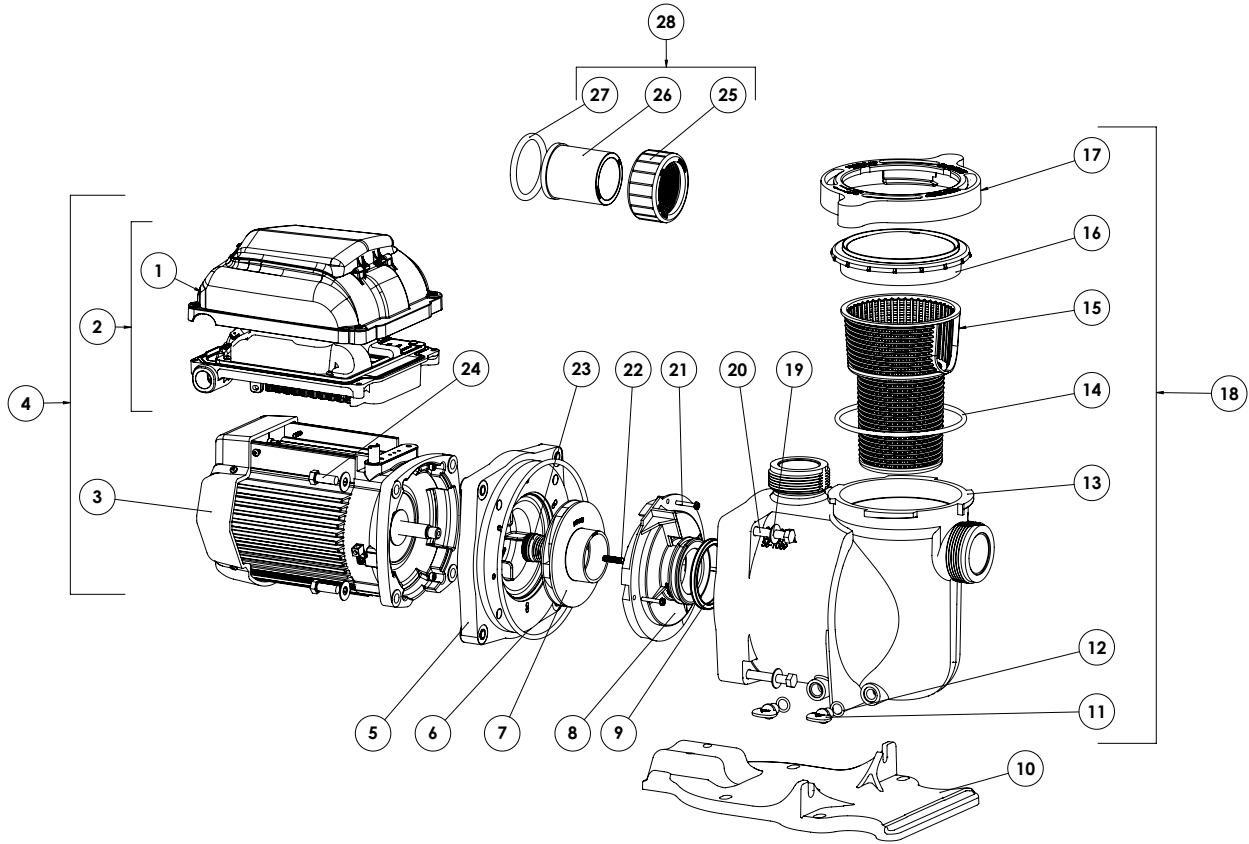
CALIFORNIA PROPOSITION 65 WARNING

▲ **WARNING:** Cancer and Reproductive Harm.  
▲ **AVERTISSEMENT:** Peut Causer le Cancer et des Dommages au Système Reproducteur.  
▲ **ADVERTENCIA:** Cáncer y Daño Reproductivo.

[www.p65warnings.ca.gov](http://www.p65warnings.ca.gov)
PR02011A

# SUPERFLO® VS VARIABLE SPEED PUMP

## REPLACEMENT PARTS



Item	Part No.	Description	US List	Can. List
<b>SUPERFLO VS VARIABLE SPEED PUMP</b>				
1	353123	Drive Cover	327.37	393.37
2	353127	Drive/Cover Kit	900.24	1081.73
3	353134S	Motor	605.62	727.71
4	353132S	Motor/Drive Assy	CALL	CALL
5	356012	Sealplate <sup>4</sup>	96.04	115.40
6	355619Z	Sealplate Gasket	CALL	CALL
7	355086	Impeller <sup>1</sup>	62.34	74.91
8	355618	Diffuser <sup>2</sup>	105.79	127.12
9	355030Z	Diffuser Seal <sup>3</sup>	CALL	CALL
10	350094	Base	106.07	127.45
11	071131Z	Drain Plug	CALL	CALL
12	192115Z	O-Ring Drain Plug	CALL	CALL
13	350089	Volute	324.20	389.56
14	357255Z	O-Ring, Lid #2-357	CALL	CALL
15	355667	Basket	23.98	28.81
16	350091	Lid, See Through	35.80	43.02
17	350090	Clamp, Cam And Ramp	44.61	53.60

Item	Part No.	Description	US List	Can. List
18	353010	Volute Assembly (Includes Items 11-17)	445.31	535.08
19	072184	Washer 3/8 In. Ss, 8 Req.	1.69	2.03
20	355621	Screw 3/8-16 X 2 1/4 Hex Head, 4 Req.	5.51	6.62
21	355334Z	Screw #8-32 Hex Washer Head, 3 Req.	CALL	CALL
22	355389	Screw, Impeller Locking	1.69	2.03
23	354545S	Seal Set	31.55	37.91
24	070429ZZ	Bolt 3/8-16 x 7/8 SS Hex Cap 18-8 4 req.	CALL	CALL
25	350092	Nut, 2 Req.	21.47	25.80
26	350093	Adapter, 2 Req.	20.04	24.08
27	6020018	O-Ring Adapter #2-226, 2 Req.	0.38	0.46
28	350157	Superflo Union Kit (Contains 2X Items 26-28)	93.25	112.05
	353129Z	Kit Dig Input 25' Superflo/ Supermax (Not shown)	98.20	118.00
	357923Z	Fan Guard Kit (Not shown)	CALL	CALL

**CALIFORNIA PROPOSITION 65 WARNING**

**⚠ WARNING:** Cancer and Reproductive Harm.  
**⚠ AVERTISSEMENT:** Peut Causer le Cancer et des Dommages au Système Reproducteur.  
**⚠ ADVERTENCIA:** Cáncer y Daño Reproductivo.  
[www.p65warnings.ca.gov](http://www.p65warnings.ca.gov)

<sup>1</sup> After June 2019 use C105-238PDCA

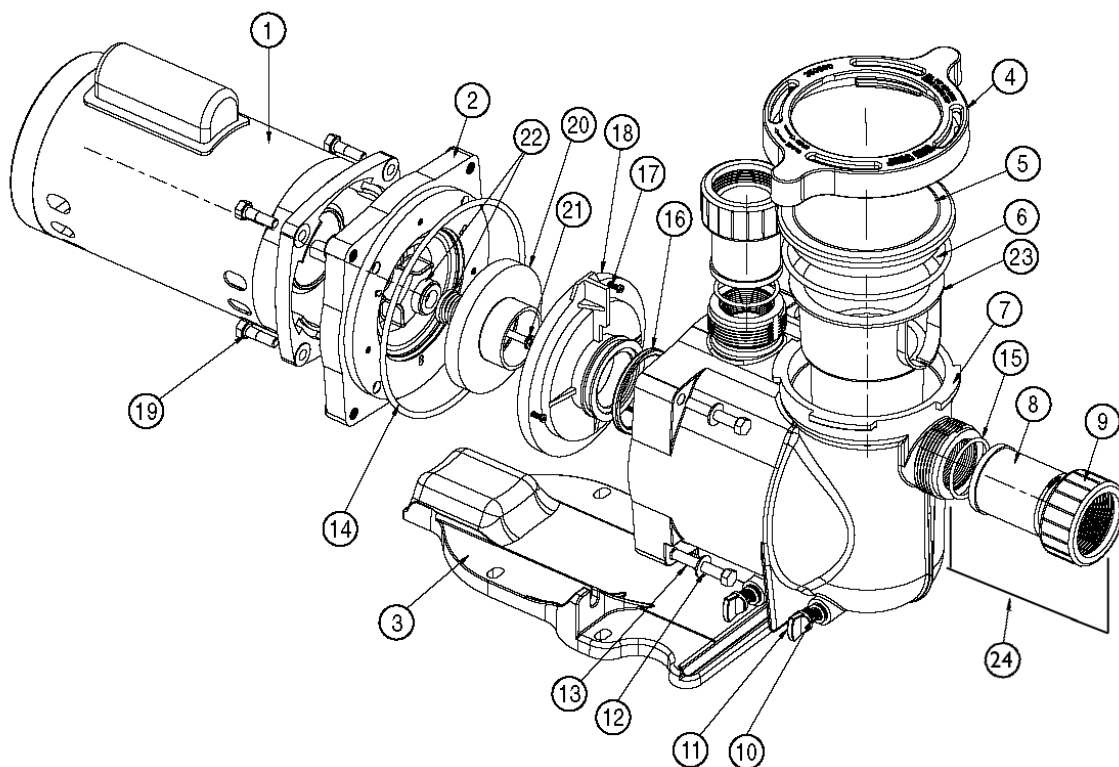
<sup>2</sup> After June 2019 use 355949

<sup>3</sup> After June 2019 use 355331Z

<sup>4</sup> After June 2019 use 356071

# SUPERFLO® PUMP

## REPLACEMENT PARTS



Item	Part No.	Description	US List	Can. List
<b>SINGLE SPEED SUPERFLO MOTORS</b>				
1	354803S	3/4 HP Motor, 1SP, 1PH, TEFC 115/208-230	CALL	CALL
1	354821S	1 HP Motor, 1SP, 1PH, TEFC 115/208-230	CALL	CALL
1	354823S	1-1/2 HP Motor, 1SP, 1PH, TEFC 208-230	CALL	CALL
1	354815S	2 HP Motor, 1SP, 1PH, TEFC 208-230	CALL	CALL
1	355018S	1/2 HP Motor SQFL, 1 Speed, 1 phase, 115/208-230, 60 Hz, almond	CALL	CALL
1	355018S	3/4 HP Motor SQFL, 1 Speed, 1 phase, 115/208-230, 60 Hz, almond	CALL	CALL
1	355020S	1 HP Motor SQFL, 1 Speed, 1 phase, 115/208-230, 60 Hz, almond	CALL	CALL
1	355022S	1-1.2 HP Motor SQFL, 1 Speed, 1 phase, 115/208-230, 60 Hz, almond	CALL	CALL
1	355024S	2 HP Motor SQFL, 1 Speed, 1 phase, 6115/208-230, 60 Hz, almond	CALL	CALL
1	355026S	2-1/2 HP Motor SQFL, 1 Speed, 1 phase, 208-230, 60 Hz, almond	CALL	CALL

Item	Part No.	Description	US List	Can. List
<b>2 SPEED SUPERFLO MOTORS</b>				
1	355003S	1 HP Motor SQFL, 2 Speed, 1 phase, 60 Hz	CALL	CALL
1	356630S	1-1/2 HP Motor SQFL, 2 Speed, 1 phase, 60 Hz	CALL	CALL
1	071320S	2 HP Motor SQFL, 2 Speed, 1 phase, 60 Hz	CALL	CALL
<b>ENERGY EFFICIENT SUPERFLO MOTORS</b>				
1	355008S	1/2 HP Motor SQFL, 1 Speed, 1 phase, 60 Hz, 115/208-230, almond	CALL	CALL
1	355008S	3/4 HP Motor SQFL, 1 Speed, 1 phase, 60 Hz, 115/208-230, almond	CALL	CALL
1	355008S	1 HP Motor SQFL, 1 Speed, 1 phase, 60 Hz, 115/208-230, almond	CALL	CALL
1	355010S	1.5 HP Motor SQFL, 1 Speed, 1 phase, 60 Hz, 115/208-230, almond	CALL	CALL
1	355012S	2 HP Motor SQFL, 1 Speed, 1 phase, 60 Hz, 208-230, almond	CALL	CALL
1	355014S	2.5 HP Motor SQFL, 1 Speed, 1 phase, 60 Hz, 208-230, almond	CALL	CALL

CALIFORNIA PROPOSITION 65 WARNING

⚠️ **WARNING:** Cancer and Reproductive Harm.  
 ⚠️ **AVERTISSEMENT:** Peut Causer le Cancer et des Dommages au Système Reproducteur.  
 ⚠️ **ADVERTENCIA:** Cáncer y Daño Reproductivo.  
[www.p65warnings.ca.gov](http://www.p65warnings.ca.gov)

**Note:** Pumps and replacement motors that are single speed and one (1) Total HP or greater cannot be sold, offered for sale, or installed in a residential pool for filtration use in California, Title 20 CCR sections 1601-1609.

# SUPERFLO® PUMP (CONT'D)

## REPLACEMENT PARTS

Item	Part No.	Description	US List	Can. List
<b>SUPERFLO PUMPS</b>				
2	356012	Seal plate	96.04	115.40
3	350094	Base	106.07	127.45
4	350090	Clamp, Cam & Ramp®	44.61	53.60
5	350091	Lid	35.80	43.02
6	357255Z	O-ring, lid No. 2-357	CALL	CALL
7	350089	Volute	324.20	389.56
8	350093	Adaptor, 2 req.	20.04	24.08
9	350092	Nut, 2 req.	21.47	25.80
10	192115Z	O-ring drain plug, 2 req.	CALL	CALL
11	071131Z	Drain plug, 2 req.	CALL	CALL
12	355621	Screw, 3/4-16 x 2-1/4 Hex hd, 4 req.	5.51	6.62
13	072184	Washer, 3/8 in. SS, 4 req.	1.69	2.03
14	355619Z	O-ring, 1 req.	CALL	CALL
15	6020018	O-ring adaptor No.2-226, 2 req.	0.38	0.46
16	355030Z	Seal diffuser	CALL	CALL
17	355334Z	Screw, No.8-32 hex washer HD, 3 req.	CALL	CALL
<b>SUPERFLO DIFFUSERS</b>				
18	355617	Diffuser, 1/2 HP	105.79	127.12
18	355617	Diffuser, 3/4 HP	105.79	127.12
18	355617	Diffuser, 1 HP	105.79	127.12
18	355618	Diffuser, 1-1/2 HP	105.79	127.12
18	355618	Diffuser, 2 HP	105.79	127.12
18	350170	Diffuser, 2-1/2 HP	104.19	125.19
19	U30-74SS	Hex head screw, 3/8, 16, 4 req.	4.83	5.80

Item	Part No.	Description	US List	Can. List
<b>SUPERFLO IMPELLERS</b>				
20	355043	Impeller 1/2 HP	59.99	72.08
20	355043	Impeller 3/4 HP	59.99	72.08
20	355067	Impeller 1 HP	61.18	73.51
20	355074	Impeller 1-1/2 HP	61.90	74.38
20	355086	Impeller 2 HP	62.34	74.91
20	355093	Impeller 2-1/2 HP	63.47	76.27
21	355389	Screw, impeller locking	1.69	2.03
22	354545S	Seal set	31.55	37.91
23	355667	Basket, large	23.98	28.81
<b>KITS</b>				
24	350157	Union Kit, items 8, 9 & 15 (2 of each included)	93.25	112.05
<b>NOT SHOWN</b>				
	79129900	2-Speed Toggle Switch	53.80	64.65
	400013Z	Motor End Cap and Screw	28.65	34.43
	357923Z	Fan Guard Kit TEFC/Super-Duty	CALL	CALL

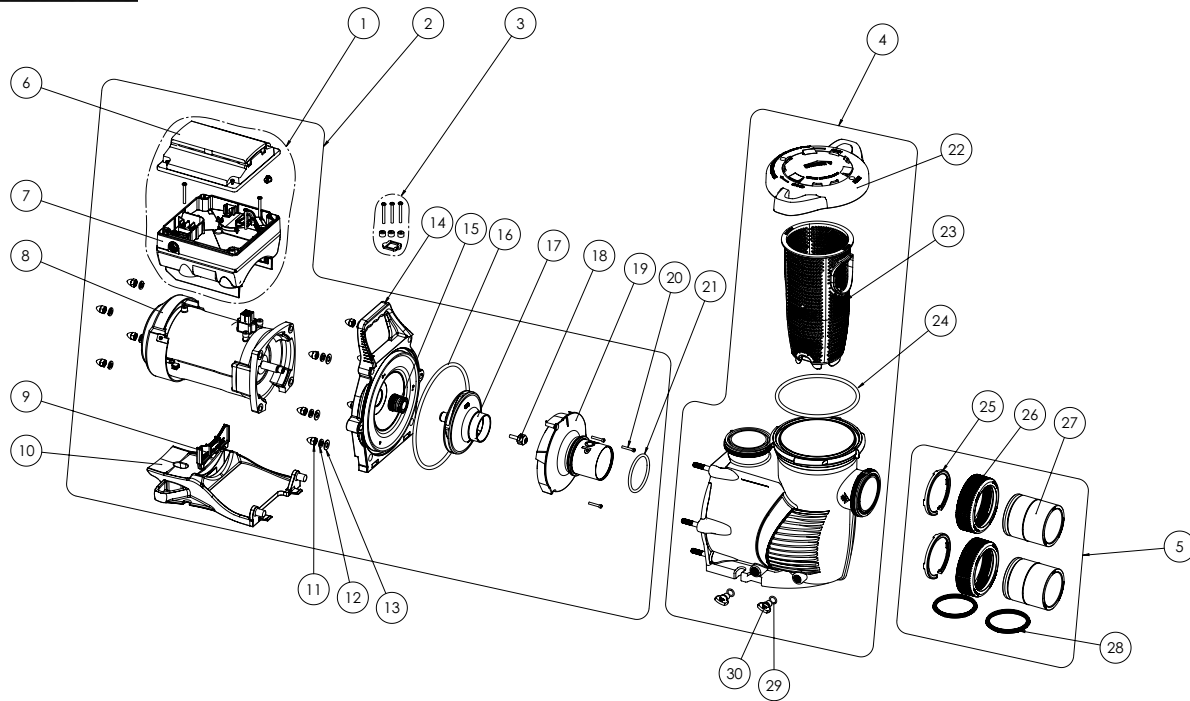
CALIFORNIA PROPOSITION 65 WARNING

⚠ **WARNING:** Cancer and Reproductive Harm.  
 ⚠ **AVERTISSEMENT:** Peut Causer le Cancer et des Dommages au Système Reproducteur.  
 ⚠ **ADVERTENCIA:** Cáncer y Daño Reproductivo.

[www.p65warnings.ca.gov](http://www.p65warnings.ca.gov) PR 2017/A

# INTELLIPROXF® VSF PUMP INTELLIPROXF VS PUMP - AFTER AUGUST 2015

## REPLACEMENT PARTS



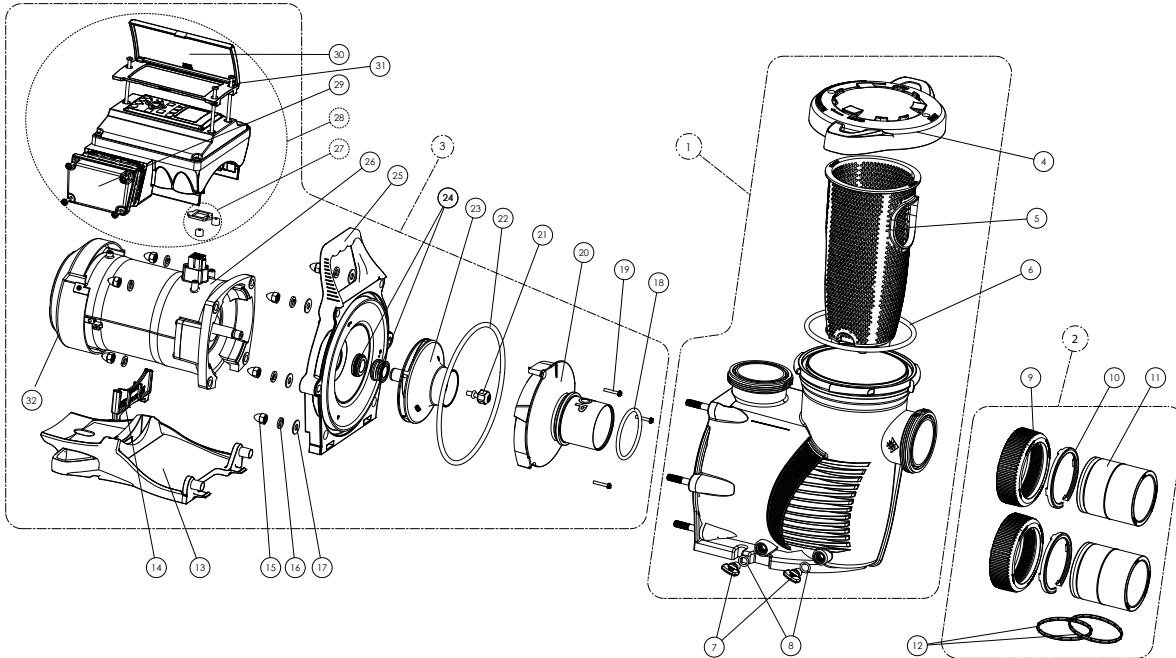
Item	Part No.	Description	US List	Can. List
<b>INTELLIPRO XF PUMP</b>				
1	352032Z	Drive Kit (VSF model)	CALL	CALL
1	356893Z	Drive Kit (VS model)	CALL	CALL
2	401655Z	Power End Kit (VS model)	2842.51	3415.56
3	355685	Drive Hardware Kit	119.16	143.18
4	401000	Wet End Assembly	346.35	416.17
5	410020	Union Kit w/o Tap	157.79	189.60
6	358527Z	Keypad Assembly Kit	376.45	452.34
7	356898Z	Drive (VSF model)	CALL	CALL
7	356892Z	Drive (VS model)	CALL	CALL
8	350306S	Motor	CALL	CALL
9	357160	Motor Support Insert	21.21	25.49
10	401004Z	Motor Base	42.27	50.79
11	071413	Acorn Nut (Qty. 10)	1.34	1.61
12	U43-12SS	Lock Washer (Qty. 10)	2.92	3.51
13	072184	Flat Washer (Qty. 6)	1.69	2.03
14	401002	Seal Plate	228.90	275.05
15	17351-0101S	Mechanical Seal	28.74	34.53
16	351446	Seal Plate O-Ring	6.87	8.25
17	400015	Impeller	139.51	167.64
18	37337-6080	Impeller Screw Set	21.22	25.50
19	400010	Diffuser	100.17	120.36
20	353323	Diffuser Screws	3.60	4.33

Item	Part No.	Description	US List	Can. List
21	350336	Diffuser O-Ring	3.60	4.33
22	401006	Lid/Locking Ring Assembly	60.94	73.23
23	400007Z	Strainer Basket	38.11	45.79
24	35505-1440	Lid/Locking Ring O-Ring	20.44	24.56
25	410001	2.5" C-Clip Locking Ring (Qty. 2)	7.72	9.28
26	411000	2.5" Union Nut (Qty. 2)	21.20	25.47
27	410002	2.5" Union Adapter w/o Tap (Qty. 2)	36.56	43.93
28	410016Z	2.5" Diamond Seal Kit (Qty. 2)	13.05	15.68
29	192115Z	Drain Plug O-Ring (Qty. 2)	CALL	CALL
30	357161Z	Drain Plug (Qty. 2)	CALL	CALL
<b>NOT SHOWN</b>				
	356905Z	Keypad Relocation Kit	81.82	98.31
	400032Z	Seal Plate w/Mech Seal	221.68	266.37
	350122	50 Ft. Communication Cable	186.48	224.07
	352501	Motor Fan Kit	191.35	229.93

CALIFORNIA PROPOSITION 65 WARNING  
**⚠ WARNING:** Cancer and Reproductive Harm.  
**⚠ AVERTISSEMENT:** Peut Causer le Cancer et des Dommages au Système Reproducteur.  
**⚠ ADVERTENCIA:** Cáncer y Daño Reproductivo.  
[www.p65warnings.ca.gov](http://www.p65warnings.ca.gov)

# INTELLIPROXF® VARIABLE SPEED PUMP - BEFORE AUGUST 2015

## REPLACEMENT PARTS



Item	Part No.	Description	US List	Can. List
<b>INTELLIPRO XF PUMP</b>				
1	401000	Wet End Assembly	346.35	416.17
2	410020	Union Kit Without Tap	157.79	189.60
3	401605Z	Power End Assy w/ Drive & Motor	CALL	CALL
4	401006	Lid/Locking Ring Assy	60.94	73.23
5	400007Z	XF Series Replacement Basket	38.11	45.79
6	35505-1440	Lid/Locking Ring O-Ring	20.44	24.56
7	357161Z	Drain Plug (2 req.)	CALL	CALL
8	192115Z	Drain Plug O-ring (2 req.)	CALL	CALL
9	411000	2.5 in. Union Nut	21.20	25.47
10	410001	2.5 in. C-Clip Locking Ring	7.72	9.28
11	410002	2.5 in. Union Adapter	36.56	43.93
12	410016Z	2.5 in. Diamond Seal Kit - (Includes two)	13.05	15.68
13	401004Z	Motor Base	42.27	50.79
14	357160	Motor Support Insert- Black	21.21	25.49
15	071413	Acorn Nut (each)	1.34	1.61
16	U43-12SS	Split Lock Washer (each)	2.92	3.51
17	072184	Flat Washer (each)	1.69	2.03
18	350336	Diffuser O-ring	3.60	4.33
19	353323	Diffuser Screw	3.60	4.33
20	400010	Diffuser	100.17	120.36
21	37337-6080	Impeller Reverse Screw	21.22	25.50

Item	Part No.	Description	US List	Can. List
22	351446	Seal Plate O-Ring	6.87	8.25
23	400015	Impeller Assembly	139.51	167.64
24	17351-0101S	Mechanical Seal Assembly	28.74	34.53
25	401002	Seal Plate	228.90	275.05
26	357294S	Motor Kit	CALL	CALL
27	350612	Drive Hardware and Gasket Kit (Incl. item # 31)	119.16	143.18
28	353252	Variable Speed Drive Assy Kit	1530.85	1839.47
29	353310	Field Wiring Comp Kit w/ Gasket	105.83	127.17
30	350701	Control Cover Assy Kit (incl. item #27) <sup>1</sup>	238.72	286.85
30	401100	Control Cover Assy Kit (incl. item #27) <sup>2</sup>	238.72	286.85
31	350107	Screw 10-24 x 3-1/4 in. PH MS 18-8SS (Qty. 3)	4.62	5.55
32	352501	Motor Fan Kit (contains Fan, Shroud, Hardware)	191.35	229.93
<b>NOT SHOWN</b>				
	400032Z	Seal Plate Kit w/ Mech Seal	221.68	266.37
	400012	Riser Plate XF to Challenger	73.13	87.87
	350122	50 Ft. Communication Cable	186.48	224.07

**CALIFORNIA PROPOSITION 65 WARNING**

**⚠ WARNING:** Cancer and Reproductive Harm.  
**⚠ AVERTISSEMENT:** Peut Causer le Cancer et des Dommages au Système Reproducteur.  
**⚠ ADVERTENCIA:** Cáncer y Daño Reproductivo.  
[www.p65warnings.ca.gov](http://www.p65warnings.ca.gov)

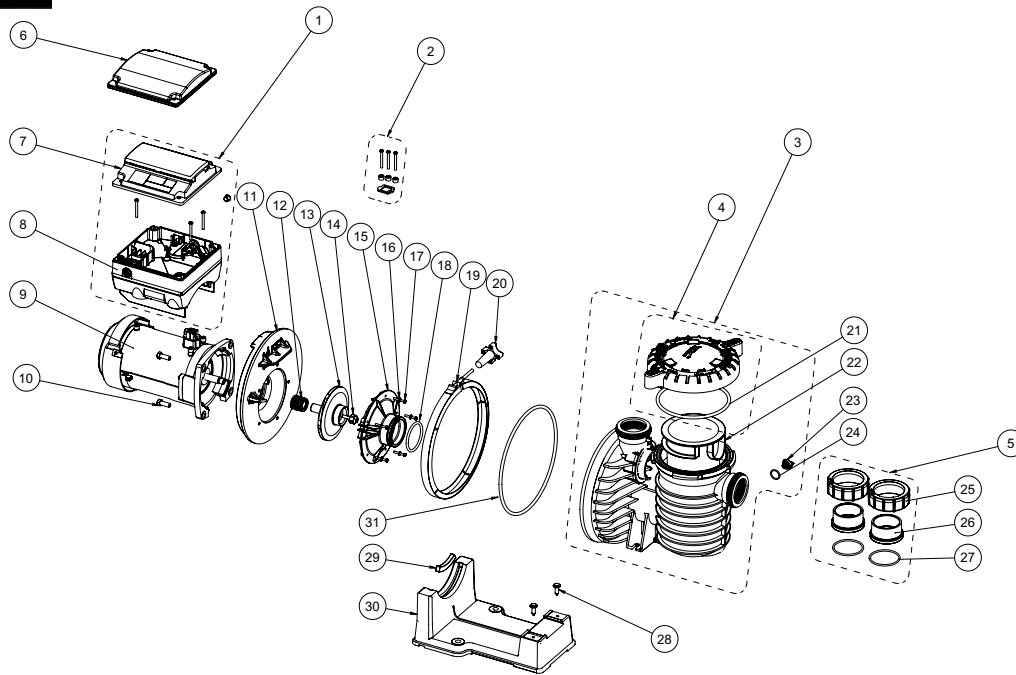
<sup>1</sup> Used on pumps manufactured before 7/2/13

<sup>2</sup> Used on pumps manufactured after 7/2/13 to present

# INTELLIPRO® VSF PUMP/INTELLIPRO 2 VST PUMP INTELLIPRO VS PUMP - AFTER 2018



## REPLACEMENT PARTS



Item	Part No.	Description	US List	Can. List
<b>INTELLIPRO PUMP</b>				
1	353141Z	Drive Kit w/Keypad (Includes Item #2, 7 and 8) (VSF model)	CALL	CALL
1	356893Z	Drive Kit w/Keypad (Includes Item #2, 7 and 8) (2VST and VS models)	CALL	CALL
2	355685	Drive Kit Hardware Kit (Includes Drive Screws, Drive Gasket and Screw Caps)	119.16	143.18
3	17307-0110S	Tank Body Assembly (Includes Trap Cover and Items #21-24)	341.91	410.84
4	17307-0111S	Trap Cover Assembly (Includes Trap Cover and Item #21)	77.32	92.91
5	42001-0402	2" Slip Union Half Kit (Includes Items #25-27)	42.81	51.44
6	356905Z	Keypad Relocation Kit (Includes Keypad Relocation Cable and Blank Drive Cover)	81.82	98.31
7	358527Z	Keypad Assembly Kit	376.45	452.34
8	356657Z	Drive (VSF model)	CALL	CALL
8	356892Z	Drive (2VST and VS models)	CALL	CALL
9	350306S	Motor 3.2 KW Ferrite Blk	CALL	CALL
10	070429ZZ	Bolt 3/8-16 x 7/8 SS Hex Cap 18-8. 4 req.	CALL	CALL
11	C103-194P	Seal Plate	78.37	94.17
12	17351-0101S	Shaft Seal, EPDM black	28.74	34.53
13	C105-238PLA	Impeller Assembly	92.25	110.85
14	37337-6080	Impeller Screw	21.22	25.50
15	C1-271P	Diffuser	33.94	40.78
16	U43-21SS	#8 Ext Tooth Washer (Qty. 5)	1.87	2.25

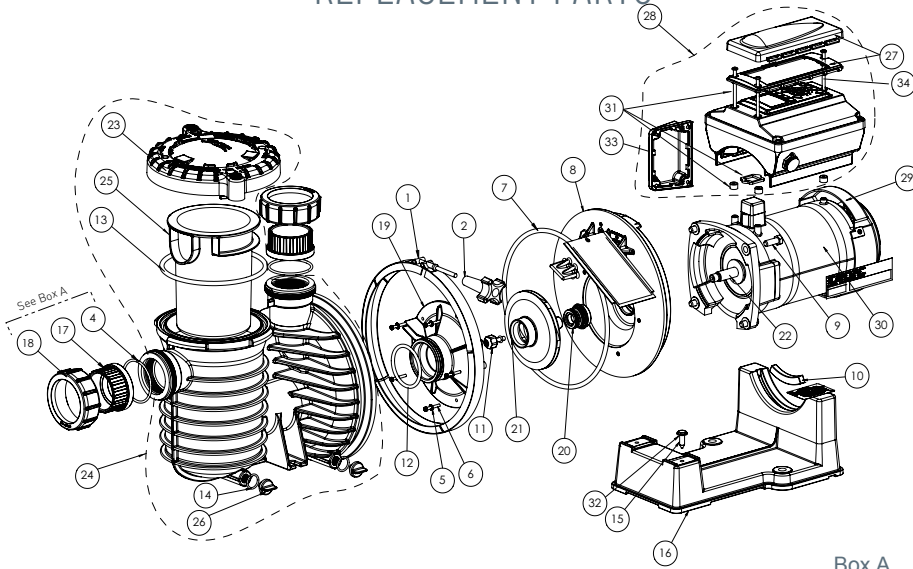
Item	Part No.	Description	US List	Can. List
17	U30-922SS	Diffuser Screw	1.18	1.42
18	U9-374Z	Diffuser O-Ring	CALL	CALL
18	357098Z	Diffuser O-Ring (Blue Coating)	6.34	7.62
19	C19-37A	V-Clamp	114.78	137.92
20	WC36-22	Clamp, Knob	14.10	16.94
21	35505-1440	Trap O-Ring, 6.90 O.D. 6.35 I.D.	20.44	24.56
22	C8-58PZ	Trap Basket	CALL	CALL
23	U78-920P	Drain Plug (Qty. 2)	2.18	2.62
24	U9-359	Drain Plug O-Ring (Qty. 2)	0.83	1.00
25	U11-200PSZ	Union Collar (Qty. 2)	CALL	CALL
26	U11-196PSZ	2" Slip Adapter (Qty. 2)	CALL	CALL
27	U9-362	O-Ring #2-231 (Qty. 2)	5.41	6.50
28	U30-918SS	Base Screw, 5/16-14 x 1 in. Lg.Hi-Lo Hex (Qty2)	5.43	6.52
29	C35-11	Motor Pad	3.54	4.25
30	C4-78P	Motor Base	49.95	60.02
31	U9-228AZ	Seal Plate O-Ring (Round)	CALL	CALL
31	357099Z	Seal Plate O-Ring (Square)	11.29	13.57
<b>NOT SHOWN</b>				
	350122	50 Ft. Communication Cable	186.48	224.07
	354045	Power End - IntelliPro 2 VST and VS	2632.50	3163.21
	352501	Motor Fan Kit	191.35	229.93

CALIFORNIA PROPOSITION 65 WARNING  
 ⚠️ **WARNING:** Cancer and Reproductive Harm.  
 ⚠️ **AVERTISSEMENT:** Peut Causer le Cancer et des Dommages au Système Reproducteur.  
 ⚠️ **ADVERTENCIA:** Cáncer y Daño Reproductivo.  
[www.p65warnings.ca.gov](http://www.p65warnings.ca.gov) PH.201714



# INTELLIPRO® VARIABLE SPEED PUMP-BEFORE 2019

## REPLACEMENT PARTS



**CALIFORNIA PROPOSITION 65 WARNING**

**⚠ WARNING:** Cancer and Reproductive Harm.  
**⚠ AVERTISSEMENT:** Peut Causer le Cancer et des Dommages au Système Reproducteur.  
**⚠ ADVERTENCIA:** Cáncer y Daño Reproductivo.  
[www.p65warnings.ca.gov](http://www.p65warnings.ca.gov)

**Box A**

For quick disconnect pipe connections, purchase separately:

Pkg. 188 2 in. Slip 1/2 Union Kit or  
 Pkg. 189 2 in. NPT 1/2 Union Kit.

Includes 2 each:

U11-200P Union Collar  
 U9-362 O-Ring  
 U11-196P 2 in. Slip adapter or U11-199P 2 in. NPT adapter.

Item	Part No.	Description	US List	Can. List
<b>INTELLIPRO VARIABLE SPEED PUMP</b>				
1	C19-37A	V-Clamp	114.78	137.92
2	WC36-22	Clamp, Knob	14.10	16.94
3	350122	Cable 50ft 2 COND, IntelliFlo to IntelliTouch (Not Shown).	186.48	224.07
4	U9-362	Orng #2- 231 buna N 70 DU	CALL	CALL
5	U43-21SS	#8 Ext Tooth Wshr, 5 req.	CALL	CALL
6	U30-922SS	Mach SCR HX HD 8- 32, 5 req.	CALL	CALL
7	U9-228A	Seal Plate O-Ring, (Round) 1 req.	CALL	CALL
7	357099Z	Seal Plate O-Ring, (Square) 1 req.	11.29	13.57
8	C103-194P	Sealplate.	CALL	CALL
9	U30-74SS	3/8-16 x 1 in. HX HD SS	CALL	CALL
10	C35-11	Motor Pad	CALL	CALL
11	37337-6080	Impeller Screw	CALL	CALL
12	U9-374	Diffuser O-Ring	CALL	CALL
12	357098Z	Diffuser O-Ring (Blue Coating)	6.34	7.62
13	35505-1440	O-Ring 6.90 O. D 6.35 I. D	20.44	24.56
14	U9-359	ORNG #2 - 112 N674- 70 Drain Plug	CALL	CALL
15	U30-918SS	SCR 5/16-14 x 1 in. LG HI-LO Hex	5.43	6.52
16	C4-78P	Base	49.95	60.02
17	U11-196PSZ	Adaptor Union 2 in. Slip	CALL	CALL
18	U11-200PSZ	Collar Union 2 in.	CALL	CALL
19	C1-271P	Diffuser	33.94	40.78
20	17351-0101S <sup>3</sup>	Shaft Seal, EPDM black	CALL	CALL
21	C105-238PLA	Imp. Assy. 3 Phase	92.25	110.85
22	17351-0009	Slinger. Pump Shaft 1/16 in.	2.07	2.49

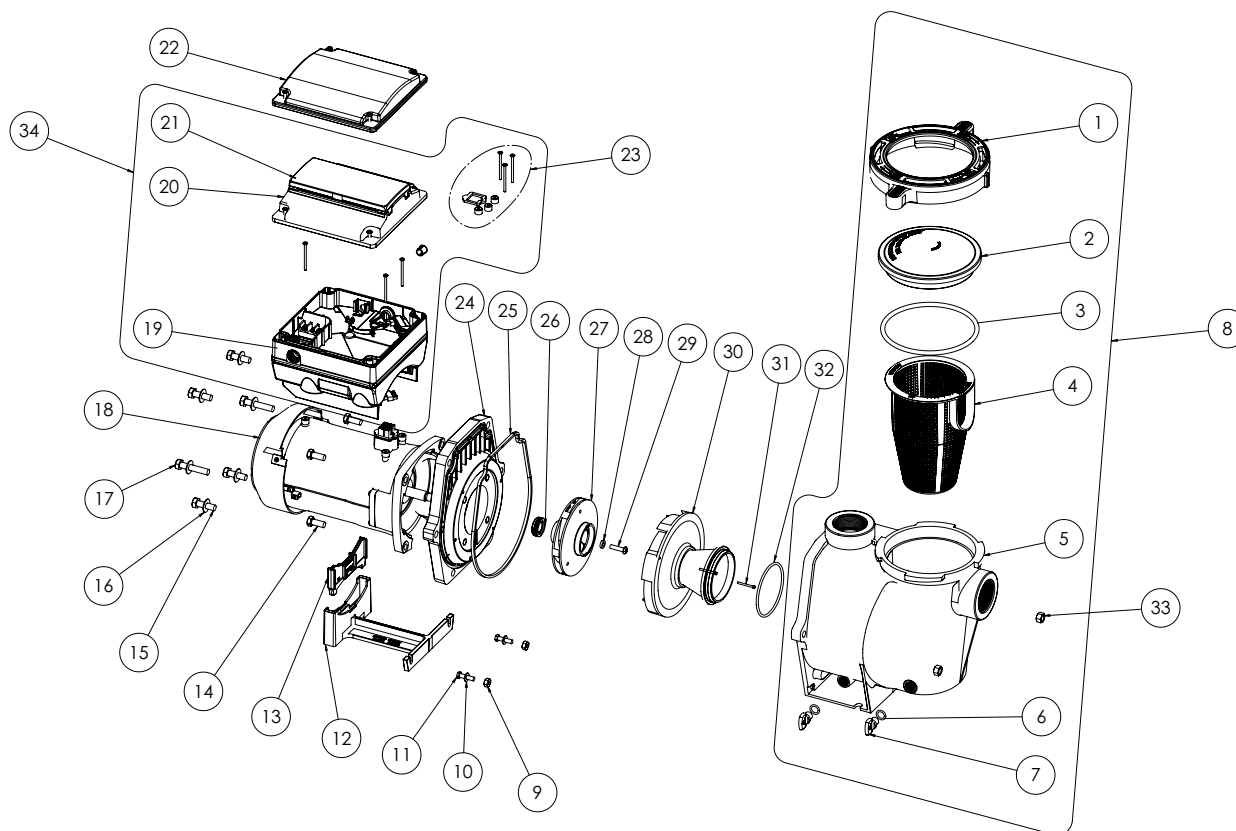
Item	Part No.	Description	US List	Can. List
23	17307-0111S	Trap Cover Assy. (Contains: Trap Cover, Trap Ring and Cover O-Ring)	77.32	92.91
24	17307-0110S	Tank Body Assy. Max- E- Pro Pump SVC 18 (Trap Body, Basket, Drain Plugs and Trap Cover Assy.)	341.91	410.84
25	C8-58PZ	Trap Basket	CALL	CALL
26	U78-920P	Drain Plug	2.18	2.62
27	350701	Cover Control Assy. Kit, Black (Contains: Cover Assy., Hardware/Gasket Kit, Inst.) <sup>1</sup>	238.72	286.85
27	401100	Cover Control Assy. Kit, Black (Contains: Cover Assy., 3 Screws, and 3 Spacer Caps) <sup>2</sup>	238.72	286.85
28	353252	IntelliPro Variable Speed Drive Kit - Includes Drive and Control Cover Assy., Lid, Hardware/Gasket Kit	1530.85	1839.47
29	352501	Fan Motor Kit (Contains: Fan Shroud, Fan, Hardware)	191.35	229.93
30	357294S	Motor VFD 3.2KW PMSW, Black	CALL	CALL
31	350612	Hardware/Gasket Kit (Contains: 3 Screws, 3 Spacer Caps, and Drive Gasket)	119.16	143.18
32	U43-41SSZ	Washer 5/16 in.	CALL	CALL
33	353310	Field Wiring Compartment Kit w/ gasket	105.83	127.17
34	350107	Screw 10-24 x 3-1/4 in PH MS 18-8 SS (qty 3)	4.62	5.55

<b>NOT SHOWN</b>				
	070209	Power end IntelliPro Variable Speed (Contains items 5, 6, 7, 8, 11, 19, 20, 28 & 30)	CALL	CALL

<sup>1</sup> Used on pumps manufactured before 7/3/13  
<sup>2</sup> Used on pumps manufactured 7/3/13 and after  
<sup>3</sup> Used on pumps manufactured 7/15/14 to present

# INTELLIPRO® VS+SVRS PUMP - AFTER JUNE 2016

## REPLACEMENT PARTS



Item	Part No.	Description	US List	Can. List
<b>INTELLIPRO VS+SVRS PUMP</b>				
1	357150	Clamp, Cam and Ramp	52.56	63.16
2	357151	See-through Lid	39.57	47.55
3	350013Z	Lid O-Ring	CALL	CALL
4	070387Z	Strainer Basket	CALL	CALL
5	357157	Volute WF	251.61	302.33
6	192115Z	O-Ring 112 for Drain Plug (Qty 2)	CALL	CALL
7	357161Z	Drain Plug WF (Qty 2)	CALL	CALL
8	357244	Volute Kit (Contains items #1-7)	526.49	632.63
9	071406	Nut 1/4-20 Hex SS (Qty 2)	1.69	2.03
10	072183	Washer, Flat 1/4" ID x 5/8" OD (Qty 2)	1.69	2.03
11	071657Z	Screw 1/4-20 x 1" Hex Cap SS (Qty 2)	CALL	CALL
12	357159	Foot WF	42.27	50.79
13	357160	Foot Insert WFE Pump Motor Support	21.21	25.49
14	070429ZZ	Bolt, Hex Head 3/8-16 x 1.25" (Qty 4)	CALL	CALL
15	072184	Washer, Flat 3/8" ID x 7/8 OD (Qty 6)	1.69	2.03
16	070430	Bolt, Hex Head 3/8-16 x 1.25" (Qty 4)	2.76	3.32
17	070431	Bolt, Hex Head 3/8-16 x 2" (Qty 2)	3.03	3.64
18	350306S	Motor, 3.2 kW 10 Pole	CALL	CALL
19	356912Z	Drive, Variable Speed	CALL	CALL
20	358527Z	Keypad Assembly Kit (Contains item #21)	376.45	452.34
21	401100	Keypad Cover	238.72	286.85
22	356905Z	Keypad Relocation Kit (Contains Keypad Relocation cable and Blank Drive Cover)	81.82	98.31

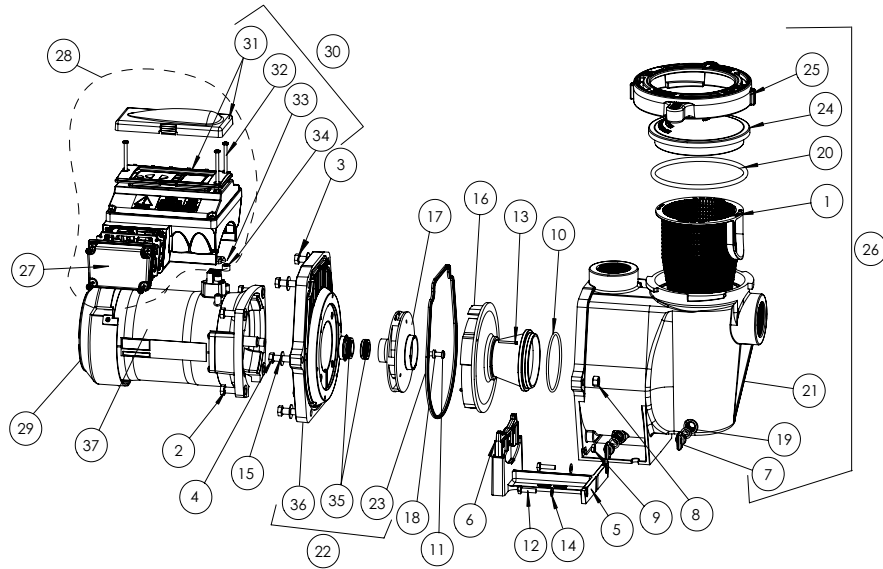
Item	Part No.	Description	US List	Can. List
23	355685	Drive Hardware Kit (Contains Drive Screws, Drive Gasket and Screw Caps)	119.16	143.18
24	357158	Seal Plate	103.17	123.97
25	357100Z	Seal Plate Gasket	CALL	CALL
26	071734S	Mechanical Seal	33.41	40.15
27	073131	Impeller	110.03	132.21
28	075713	Rubber Washer, Impeller Set Screw	1.69	2.03
29	071652Z	Impeller Set Screw 1/4-20 LH Thread	CALL	CALL
30	072928	Diffuser	100.17	120.36
31	071660Z	Diffuser Set Screw 4-40 x 1-1/8 (Qty 2)	CALL	CALL
32	355227Z	Diffuser O-Ring	CALL	CALL
33	071403	Nut 3/8" Brass, Nickel Plated (Qty 2)	1.69	2.03
34	356913Z	Drive Kit (Incl. Items #19-23)	CALL	CALL
<b>NOT SHOWN</b>				
	350122	50 Ft. Communication Cable	186.48	224.07
	350203	Seal Plate Kit w/Mechanical Seal (Incl. Items #24, 25 and 26)	221.99	266.74
	357603	Union Kit (Incl. 2 complete unions for 1 pump - Not included with pump)	123.12	147.94
	350198	Seal Plate Kit (Ozone/Salt resistant)	216.81	260.52
	352501	Motor Fan Kit	191.35	229.93

**CALIFORNIA PROPOSITION 65 WARNING**

⚠ **WARNING:** Cancer and Reproductive Harm.  
 ⚠ **AVERTISSEMENT:** Peut Causer le Cancer et des Dommages au Système Reproducteur.  
 ⚠ **ADVERTENCIA:** Cáncer y Daño Reproductivo.  
[www.p65warnings.ca.gov](http://www.p65warnings.ca.gov)

# INTELLIPRO® VS+SVRS PUMP - BEFORE JUNE 2016

## REPLACEMENT PARTS



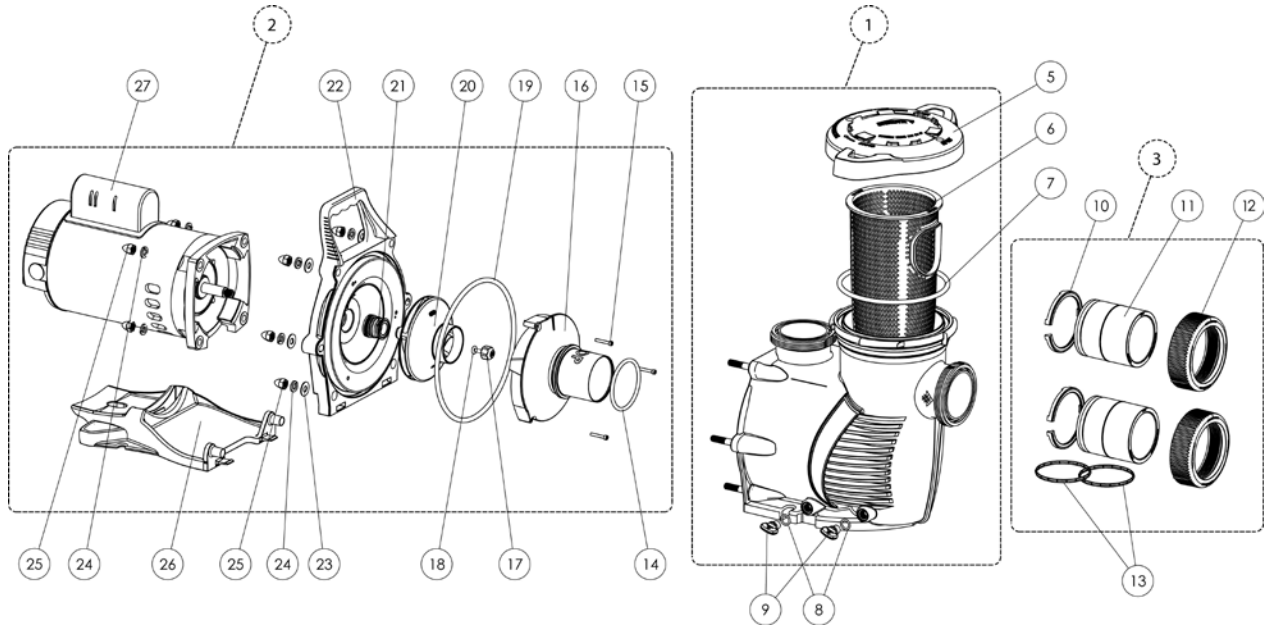
Item	Part No.	Description	US List	Can. List
<b>INTELLIPRO VS+SVRS PUMP</b>				
1	070387Z	Basket WF	CALL	CALL
2	070429ZZ	Bolt hex HD, 2-56 x .875 S/S, 4 req.	CALL	CALL
3	070430	Bolt, 3/8-16 x 1-1/4 hex cap 18-8 S/S, 4 req.	2.76	3.32
4	070431	Bolt, 3/8-16 x 2 hex cap 18-8 S/S, 2 req.	3.03	3.64
5	357159	Foot WF, pump motor support, black	42.27	50.79
6	357160	Foot insert WF pump, black	21.21	25.49
7	357161Z	Plug drain WFE, black, 2 req.	CALL	CALL
8	071403	Nut, 3/8-16 brass nickel plated, 2 req.	1.69	2.03
9	071406	Nut, 1/4-20 hex S/S, 2 req.	1.69	2.03
10	355227Z	O-ring #238, 3.484 x .139, buna N 70	CALL	CALL
11	071652Z	Screw, 1/4, 20 x 1 LH phillips pan MS 18-8 S/S, 1 req.	CALL	CALL
12	071657Z	Screw, 1/4-20 x 1 in. hex cap 18-8 S/S, 2 req.	CALL	CALL
13	071660Z	Screw set, 4-40 x 1-1/8 WFE sckt cap 18-8 S/S, 2 req.	CALL	CALL
14	072183	Washer, flat 1/4 x 5/8 20GA thick 18-8 S/S, 2 req.	1.69	2.03
15	072184	Washer, 3/8 ID x 7/8 OD .05 thick 18-8 S/S, 6 req.	1.69	2.03
16	072928	Diffuser assembly, black	100.17	120.36
17	073131	Impeller, IntelliPro VS+SVRS	110.03	132.21
18	075713	Rubber washer, WFE pump, 1 req.	1.69	2.03
19	192115Z	O-ring 112, .487 x .103 buna -N 70, 2 req.	CALL	CALL
20	350013Z	O-ring lid CH/WF 2-436, 1 req.	CALL	CALL
21	357157	Housing WFE, black	251.61	302.33
22	350203	Seal plate kit, black w/ gasket (Items 23, 35, 36)	221.99	266.74
23	357100Z	Black Gasket for Seal plate	CALL	CALL
24	357151	Lid, see thru WF.	39.57	47.55
24	357156	Lid, Chemical Resistant	74.65	89.70
25	357150	Clamp cam & ramp WF, black	52.56	63.16

Item	Part No.	Description	US List	Can. List
26	357244	Pot WF assy., black (contains 1, 7 (qty. 2), 19 (qty. 2), 20, 21, 24, 25)	526.49	632.63
27	350310	Junction Box Cover - Black	22.38	26.89
28	353250	IntelliPro VS+SVRS Drive Kit - Contains Drive and Control Cover Assy.	CALL	CALL
29	352501	Motor fan kit, black (contains fan, shroud, hardware).	191.35	229.93
30	350701	Drive Control Cover assembly kit, black (contains drive lid, screws, spacer caps, items 31, 32 (qty. 3), 33, 34 (qty. 3) 1	238.72	286.85
30	401100	Drive Control Cover assembly kit, black (contains drive lid, screws, spacer caps, items 31, 32 (qty. 3), 33, 34 (qty. 3) 2	238.72	286.85
31	401101	Control cover assembly (not sold individually - order assy kit item 30)	CALL	CALL
32	350107	Screw 10-24 x 3/4 in. PH MS 18-8 s/s (qty. 3)	4.62	5.55
33	350108	IntelliPro drive gasket	9.59	11.52
34	350142	Spacer cap (qty. 3)	33.51	40.27
35	071734S	Seal Kit	33.41	40.15
36	357158	Seal Plate - black	103.17	123.97
37	357294S	Motor VFD 3.2KW PMSM replacement, black	CALL	CALL
<b>NOT SHOWN</b>				
	350122	50 ft. Communication Cable	186.48	224.07
	347910	Black Volute/Seal plate Replacement Kit (Items 1, 7 (qty. 2), 19 (Qty 2), 20, 21, 22, 23, 24, 25)	CALL	CALL
	350612	Hardware/gasket assy. kit (contains 3 screws, 3 spacer caps and drive gasket)	119.16	143.18
	357603	Union Kit (contains 2 complete unions for one pump, not included with pump).	123.12	147.94
	350101	Seal plate kit without gasket (Items 35 and 36)	CALL	CALL
	350198	Seal Plate Kit (ozone/salt resistant)	216.81	260.52

<sup>1</sup> Used on pumps manufactured before 3/20/2013  
<sup>2</sup> Used on pumps manufactured after 3/20/2013  
<sup>3</sup> Contact factory for IntelliPro VS+SVRS

# MAX-E-PROXF® SERIES PUMP

## REPLACEMENT PARTS



Item	Part No.	Description	US List	Can. List
<b>MAX-E-PRO XF PUMP</b>				
1	401000	Wet End Assembly	346.35	416.17
2	See chart on next page	Power End Assembly		
3	410020	Union Kit Without Tap	157.79	189.60
5	401006	Lid/Locking Ring Assembly	60.94	73.23
6	400007Z	XF Series Replacement Basket	38.11	45.79
7	35505-1440	Lid/Locking Ring O-Ring	20.44	24.56
8	192115Z	Drain Plug O-Ring	CALL	CALL
9	357161Z	Drain Plug	CALL	CALL
10	410001	2.5 in. C-Clip Locking Ring	7.72	9.28
11	410002	2.5 in. Union Adapter without Tap	36.56	43.93
12	411000	2.5 in. Union Nut	21.20	25.47
13	410016Z	2.5 in. Seal Kit - (Includes two)	13.05	15.68
14	350336	Diffuser O-Ring	3.60	4.33
15	353323	Diffuser Screw	3.60	4.33
16	See chart on next page	Diffuser		
17	37337-6080	Impeller Reverse Screw	21.22	25.50

Item	Part No.	Description	US List	Can. List
18	33455-1047	Impeller Reverse Screw O-Ring	CALL	CALL
19	351446	Seal Plate O-Ring	6.87	8.25
20	See chart on next page	Impeller Assembly		
21	17351-0101S	Mechanical Seal Assembly	28.74	34.53
22	401002	Seal Plate	228.90	275.05
23	072184	Flat Washer	1.69	2.03
24	U43-12SS	Split Lock Washer	2.92	3.51
25	071413	Acorn Nut	1.34	1.61
26	401004Z	Motor Base	42.27	50.79
27	See chart on next page	Motor		
<b>NOT SHOWN</b>				
	400030Z	Hardware and O-Rings Kit	69.27	83.23
	400032Z	Seal Plate Kit w/ Mechanical Seal	221.68	266.37
	400012	Riser Plate XF to Challenger	73.13	87.87
	401014Z	Motor End Cap and Screw	28.65	34.43
	357924Z	Fan Guard Kit TEFC/Super-Duty	CALL	CALL

CALIFORNIA PROPOSITION 65 WARNING

⚠️ **WARNING:** Cancer and Reproductive Harm.  
 ⚠️ **AVERTISSEMENT:** Peut Causer le Cancer et des Dommages au Système Reproducteur.  
 ⚠️ **ADVERTENCIA:** Cáncer y Daño Reproductivo.  
[www.p65warnings.ca.gov](http://www.p65warnings.ca.gov)

# MAX-E-PROXF<sup>®</sup> SERIES PUMP (CONT'D)

## REPLACEMENT PARTS



Item	Part No.	Description	US List	Can. List
<b>IMPELLERS</b>				
20	400020Z	XFET-8	128.74	154.69
20	400015	XFET-12	139.51	167.64
20	400023Z	XFET-20	150.22	180.50
20	400020Z	XF-8	128.74	154.69
20	400015	XF-12	139.51	167.64
20	400020Z	XFE-8	128.74	154.69
20	400015	XFE-12	139.51	167.64
20	400023Z	XFE-20	150.22	180.50
20	400020Z	XFDS-8	128.74	154.69
20	400015	XFDS-12	139.51	167.64
20	400020Z	XFDS-30	128.74	154.69
20	400020Z	XF-30	128.74	154.69
20	400020Z	XFE-30	128.74	154.69
20	400020Z	XFJ-8	128.74	154.69
20	400015	XFJ-12	139.51	167.64
20	400023Z	XFJ-20	150.22	180.50
20	400020Z	XFK-8	128.74	154.69
20	400015	XFK-12	139.51	167.64
20	400023Z	XFK-20	150.22	180.50

<b>MOTORS</b>				
27	354816S	2hp 1-Phase TEFC 208-230V	CALL	CALL
27	354818S	3hp 1-Phase TEFC 208-230V	CALL	CALL
27	354820S	5hp 1-Phase TEFC 208-230V	CALL	CALL
27	355027S	2hp Standard E 230V	CALL	CALL
27	355034S	3hp Standard E 230V	CALL	CALL
27	355015S	2hp High Eff 208-230V	CALL	CALL
27	355017S	3hp High Eff 208-230V	CALL	CALL
27	353319S	5hp High Eff 208-230V	CALL	CALL
27	359527S	2hp 2 Speed 230V	CALL	CALL
27	353318S	3hp 2 Speed 230V	CALL	CALL
27	359527S	2.5hp Uprated 2 Speed 230V	CALL	CALL
27	355027S	2.5hp Uprated Standard E 230V	CALL	CALL
27	355015S	2.5hp Uprated High E 208-230V	CALL	CALL
27	354810S	2hp 3 Phase 208-230-460V	CALL	CALL
27	354812S	3hp 3 Phase 208-230-460V	CALL	CALL
27	354814S	5hp 3 Phase 208-230-460V	CALL	CALL

Item	Part No.	Description	US List	Can. List
<b>DIFFUSERS</b>				
16	400010	XFET-8	100.17	120.36
16	400010	XFET-12	100.17	120.36
16	400011Z	XFET-20	108.12	129.92
16	400010	XF-8	100.17	120.36
16	400010	XF-12	100.17	120.36
16	400010	XFE-8	100.17	120.36
16	400010	XFE-12	100.17	120.36
16	400011Z	XFE-20	108.12	129.92
16	400010	XFDS-8	100.17	120.36
16	400010	XFDS-12	100.17	120.36
16	400010	XFDS-30	100.17	120.36
16	400010	XF-30	100.17	120.36
16	400010	XFE-30	100.17	120.36
16	400010	XFJ-8	100.17	120.36
16	400010	XFJ-12	100.17	120.36
16	400011Z	XFJ-20	108.12	129.92
16	400010	XFK-8	100.17	120.36
16	400010	XFK-12	100.17	120.36
16	400011Z	XFK-20	108.12	129.92

<b>POWER ENDS</b>				
2	401632Z	2hp 1-Phase TEFC 208-230V	1375.29	1652.55
2	401633Z	3hp 1-Phase TEFC 208-230V	1650.66	1983.43
2	401634Z	5hp 1-Phase TEFC 208-230V	1782.17	2141.46
2	401612Z	2hp Standard E 230V	1265.21	1520.28
2	401613Z	3hp Standard E 230V	1353.49	1626.35
2	401609Z	2hp High Eff 208-230V	1285.33	1544.45
2	401610Z	3hp High Eff 208-230V	1542.69	1853.70
2	401611Z	5hp High Eff 208-230V	1643.51	1974.84
2	401607Z	2hp 2 Speed 230V	1418.70	1704.71
2	401608Z	3hp 2 Speed 230V	1557.89	1871.96
2	401607Z	2.5hp Uprated 2 Speed 230V	1418.70	1704.71
2	401612Z	2.5hp Uprated Standard E 230V	1265.21	1520.28
2	401609Z	2.5hp Uprated High E 208-230V	1285.33	1544.45
2	401617Z	2hp 3 Phase 208-230-460V	CALL	CALL
2	401618Z	3hp 3 Phase 208-230-460V	CALL	CALL
2	401619Z	5hp 3 Phase 208-230-460V	CALL	CALL

**Note: Pumps and replacement motors that are single speed and one (1) Total HP or greater cannot be sold, offered for sale, or installed in a residential pool for filtration use in California, Title 20 CCR sections 1601-1609.**

CALIFORNIA PROPOSITION 65 WARNING

**WARNING:** Cancer and Reproductive Harm.  
**AVERTISSEMENT:** Peut Causer le Cancer et des Dommages au Système Reproducteur.  
**ADVERTENCIA:** Cáncer y Daño Reproductivo.

[www.p65warnings.ca.gov](http://www.p65warnings.ca.gov)
P# 201714

# MAX-E-PRO® SERIES PUMP

## REPLACEMENT PARTS

### Box A

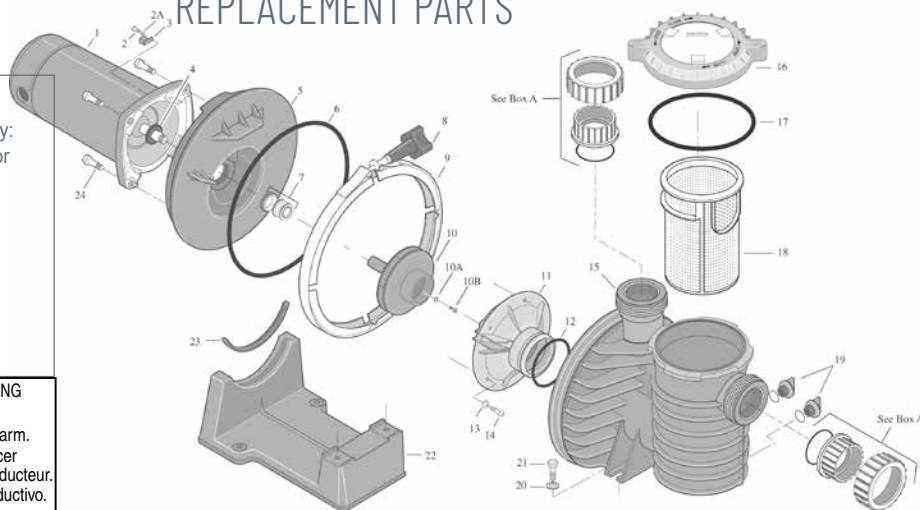
For quick disconnect pipe connections, purchase separately:  
 Pkg. 188 2 in. Slip 1/2 Union Kit or  
 Pkg. 189 2 in. NPT 1/2 Union Kit.

Includes 2 each:  
 U11-200P Union Collar  
 U9-362 O-Ring

U11-196P 2 in. Slip adapter or  
 U11-199P 2 in. NPT adapter.

#### CALIFORNIA PROPOSITION 65 WARNING

**⚠ WARNING:** Cancer and Reproductive Harm.  
**⚠ AVERTISSEMENT:** Peut Causer le Cancer et des Dommages au Système Reproducteur.  
**⚠ ADVERTENCIA:** Cáncer y Daño Reproductivo.  
[www.p65warnings.ca.gov](http://www.p65warnings.ca.gov)



Model No.	HP	Motor No. (Item No. 1)	Impeller (Item No. 10)	Diffuser (Item No. 11)	Motor Base/Pad
1 PHASE 60 HZ PUMPS - TEFC 1-Speed					
348150	1	354822S	C105-238PB	C1-271P1	Note 6
348151	1-1/2	354824S	C105-238PDBA	C1-271P	Note 6
348152	2	354816S	C105-238PEBA	C1-271P	Note 6
348153	3	354818S	C105-238PLA	C1-271P	Note 6
1 PHASE 60 HZ PUMPS - 115/230 V 1-Speed					
P6E6C-204L	1/2	AE100CHL	C105-238PX	C1-271P1	Note 5
P6E6D-205L	3/4	AE100DHL	C105-238P	C1-271P1	Note 5
P6R6D-205L	3/4	355021S	C105-238P	C1-271P1	Note 6
P6E6E-206L	1	AE100EHL	C105-238PB	C1-271P1	Note 5
P6EA6E-205L	1	AE100ELL	C105-238P	C1-271P1	Note 5
P6RA6E-205L	1	355021S	C105-238P	C1-271P1	Note 6
P6R6E-206L	1	355023S	C105-238PB	C1-271P1	Note 6
P6EA6F-206L	1-1/2	AE100FLL	C105-238PB	C1-271P1	Note 5
P6RA6F-206L	1-1/2	355023S	C105-238PB	C1-271P1	Note 6
P6R6F-207L	1-1/2	355025S	C105-238PDBA	C1-271P	Note 6
1 PHASE 60 HZ PUMPS - 230V 1-Speed					
P6E6F-207L	1-1/2	AE100FHL	C105-238PDBA	C1-271P	Note 5
P6EAA6F-216L	1-3/4	AE100F5LL	C105238PDCA	C1-271P	Note 5
P6RAA6F-216L	1-3/4	A100F5LL	C105-238PDCA	C1-271P	Note 5
P6E6G-208L	2	AE100GHL	C105-238PEBA	C1-271P	Note 5
P6EA6G-207L	2	355025S	C105-238PDBA	C1-271P	Note 5
P6RA6G-207L	2	AE100GHL	C105-238PDBA	C1-271P	Note 6
P6R6G-208L	2	355027S	C105-238PEBA	C1-271P	Note 6
P6EAA6G-208L	2-1/2	AE100G5LL	C105-238PEBA	C1-271P	Note 5
P6E6H-209L	3	AE100HLL	C105-238PLA	C1-271P	Note 6
P6R6H-209L	3	355034S	C105-238PLA	C1-271P	Note 6

**Note:** Pumps and replacement motors that are single speed and one (1) Total HP or greater cannot be sold, offered for sale, or installed in a residential pool for filtration use in California, Title 20 CCR sections 1601-1609.

# MAX-E-PRO® SERIES PUMP (CONT'D)

## REPLACEMENT PARTS



Model No.	HP	Motor No. (Item No. 1)	Impeller (Item No. 10)	Diffuser (Item No. 11)	Motor Base/Pad
1 PHASE 60 HZ PUMPS - 2-Speed					
P6RA6YF-206L	1-1/2 (Hi Speed ), 1/4 (Low Speed)	A100FLL-Y	C105-238PBA <sup>3</sup>	C1-271P1	Note 5
P6RA6YG-207L	2 (Hi Speed ), 1/3 (Low Speed)	AE100GLL-Y	17307-0116 <sup>5</sup> , C105-238PDBA	C1-271P	Note 5
3 PHASE 60 HZ PUMPS - 208-230/460 - TEFC					
345076	1	354806S	C105-238PBA <sup>4</sup>	C1-271P1	Note 6
345077	1-1/2	354808S	C105-238PDBA <sup>4</sup>	C1-271P	Note 6
345078	2	354810S	C105-238PEBA <sup>4</sup>	C1-271P	Note 6
345079	3	354812S	C105-238PLA <sup>4</sup>	C1-271P	Note 6
3 PHASE 60 HZ PUMPS - 200/400v 1 Speed					
P6R62D3-186	3/4	AP100DH2	C105-238A <sup>4</sup>	C1-271P1	Note 5
P6R62E3-187	1	AP100EH2	C105-238PBA <sup>3</sup>	C1-271P1	Note 5
P6R62F3-188	1-1/2	AP100FH2	C105-238PDBA <sup>4</sup>	C1-271P	Note 5
P6R62G3-189	2	AP100GH2	C105-238PEBA <sup>4</sup>	C1-271P	Note 5

Model No.	HP	Motor No. (Item No. 1)	Impeller (Item No. 10)	Diffuser (Item No. 11)	Motor Base/Pad
575 Volts, 3-Phase Models:					
P6EA6D36-204	3/4	16502-0024S	C105-238PX <sup>4</sup> A	C1-271P1	Note 6
P6EA6E36-205	1	16503-0024S	C105-238P <sup>4</sup> A	C1-271P1	Note 6
P6EA6F36-206	1-1/2	62001-1019S	C105-238PBA <sup>4</sup>	C1-271P1	Note 5
P6EA6G36-207	2	62003-2087	C105-238PDBA <sup>4</sup>	C1-271P	Note 5
P6E6H36-209	3	62001-1021S	C105-238PLA <sup>4</sup>	C1-271P1	Note 6

Item	Part No.	Description	US List	Can. List
<b>MAX-E-PRO SERIES REPLACEMENT PARTS</b>				
1	Chart	Motor		
2	U30-692SS	#10-32 x 1/2 in. Screw	2.27	2.73
2A	U43-22SS	Lock Washer	2.04	2.45
3	U17-568	Bonding Lug	11.98	14.40
4	17351-0009	Water Slinger	2.07	2.49
5	C203-194P	Seal Plate Kit (Incl. Part Nos. 6, 7)	184.25	221.39
6	U9-228AZ	O-Ring (Round)	CALL	CALL
6	357099Z	O-Ring (Square)	11.29	13.57
7	17351-0101S	Shaft Seal, EDPM black	28.74	34.53
8	WC36-22	Clamp Knob	14.10	16.94
9	C19-37A	Clamp	114.78	137.92
10	Chart	Impeller		
10A	35505-1426	Impeller Screw O-Ring	1.15	1.38
10B	Chart	Impeller Screw		
11	Chart	Diffuser		
12	U9-374Z	Diffuser O-Ring	CALL	CALL
12	357098Z	Diffuser O-Ring (Blue Coating)	6.34	7.62
13	U43-21SS	#8 Lock Washer	1.87	2.25
14	U30-542SS	Screw (w/ C1-271P1 Diffuser)	2.41	2.90
15	17307-0110S	Tank Body Assembly <sup>2</sup>	341.91	410.84

Item	Part No.	Description	US List	Can. List
16	17307-0111S	Trap Cover Assembly <sup>1</sup>	77.32	92.91
17	35505-1440	Trap O-Ring	20.44	24.56
18	C8-58PZ	Basket	CALL	CALL
19	U178-920PZ	1/4 in. NPT Drain Plug	CALL	CALL
19	U9-359	Drain Plug O-Ring	0.83	1.00
20	U43-41SSZ	Base Washer	CALL	CALL
21	U30-918SS	Base Screw	5.43	6.52
22	C4-78P	Base	49.95	60.02
22	C104-79P	Base w/ Motor Pad	51.12	61.43
23	C35-43	Motor Pad	5.99	7.20
23	C35-44	Motor Pad	8.84	10.62
24	U30-74SS	3/8-16 x 1 in. Hex Hd. Screw	4.83	5.80
	357924Z	Fan Guard Kit TEFC/Super-Duty	CALL	CALL

- <sup>1</sup> Includes Trap Cover, Trap Ring and Trap Cover O-Ring
- <sup>2</sup> Includes Trap Body, Basket, Drain Plugs, and Trap Cover Assembly
- <sup>3</sup> Uses Key No. 10B Impeller Screw No. 37337-6080
- <sup>4</sup> Uses Key No. 10B Impeller Screw No. 37337-6081
- <sup>5</sup> Uses base C4-78P and motor pad C35-43
- <sup>6</sup> Uses base C104-79P and includes motor pad C35-44

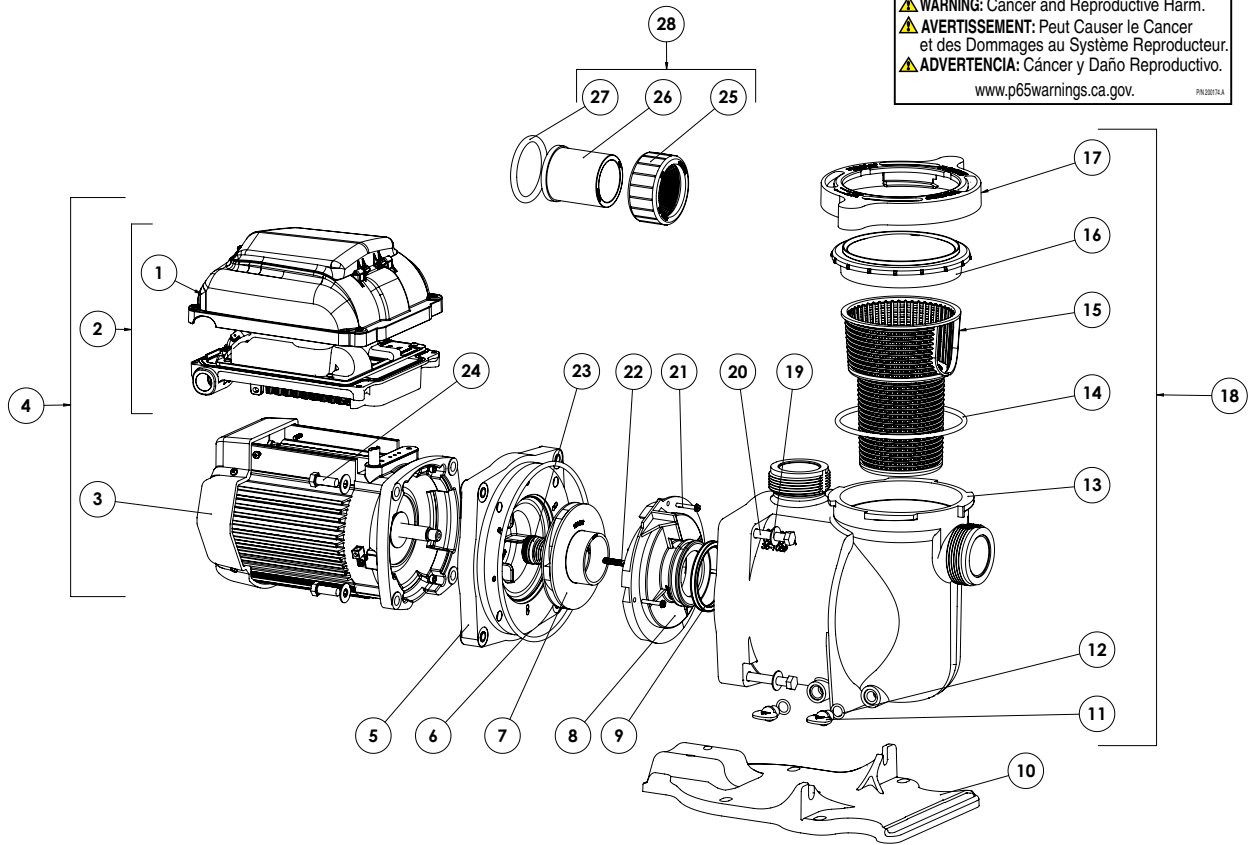
**Note:** Pumps and replacement motors that are single speed and one (1) total HP or greater cannot be sold, offered for sale, or installed in a residential pool for filtration use in California, Title 20 CCR sections 1601-1609.

# SUPERMAX® VS VARIABLE SPEED PUMP

## REPLACEMENT PARTS



CALIFORNIA PROPOSITION 65 WARNING  
 ⚠️ **WARNING:** Cancer and Reproductive Harm.  
 ⚠️ **AVERTISSEMENT:** Peut Causer le Cancer et des Dommages au Système Reproducteur.  
 ⚠️ **ADVERTENCIA:** Cáncer y Daño Reproductivo.  
 www.p65warnings.ca.gov. P182015A



Item	Part No.	Description	US List	Can. List
<b>SUPERMAX VS VARIABLE SPEED PUMP</b>				
1	353124	Drive Cover	327.37	393.37
2	353128	Drive/Cover Kit	900.24	1081.73
3	353135S	Motor	605.62	727.71
4	353133S	Motor/Drive Assy	CALL	CALL
5	355612	Sealplate <sup>4</sup>	96.04	115.40
6	355619Z	Sealplate Gasket	CALL	CALL
7	355086	Impeller <sup>1</sup>	62.34	74.91
8	355618	Diffuser <sup>2</sup>	105.79	127.12
9	355030Z	Diffuser Seal <sup>3</sup>	CALL	CALL
10	351094	Base	106.09	127.48
11	357161Z	Drain Plug	CALL	CALL
12	192115Z	O-Ring Drain Plug	CALL	CALL
13	351089	Volute	301.55	362.34
14	357255Z	O-Ring, Lid #2-357	CALL	CALL
15	355667	Basket	23.98	28.81
16	350091	Lid, See Through	35.80	43.02

Item	Part No.	Description	US List	Can. List
17	351090	Clamp, Cam And Ramp	44.62	53.62
18	353110	Volute Assembly (Includes Items 11-17)	415.59	499.37
19	072184	Washer 3/8 In. Ss, 8 Req.	1.69	2.03
20	355621	Screw 3/8-16 X 2 1/4 Hex Head, 4 Req.	5.51	6.62
21	355334Z	Screw #8-32 Hex Washer Head, 3 Req.	CALL	CALL
22	355389	Screw, Impeller Locking	1.69	2.03
23	354545	Seal Set	CALL	CALL
24	U30-74SS	Hex Head Screw 3/8-16 SS, 4 Req.	4.83	5.80
25	270141	Nut, 2 Req.	21.47	25.80
26	350093	Adapter, 2 Req.	20.04	24.08
27	6020018	O-Ring Adapter #2-226, 2 Req.	0.38	0.46
28	351157	Superflo Union Kit (Contains 2X Items 26-28)	93.25	112.05
	353129Z	Kit Dig Input 25' Superflo/ Supermax (Not shown)	98.20	118.00
	357924Z	Fan Guard Kit (Not Shown)	CALL	CALL

<sup>1</sup> After June 2019 use C105-238PDCA

<sup>2</sup> After June 2019 use 355949

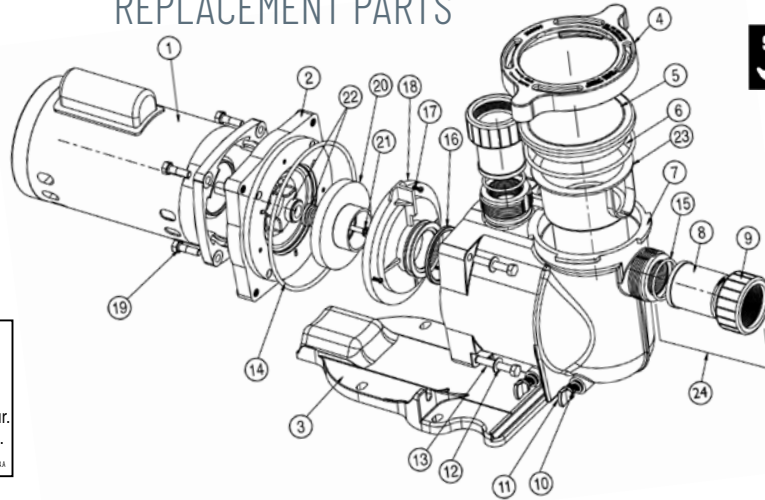
<sup>3</sup> After June 2019 use 355331Z

<sup>4</sup> After June 2019 use 356072



# SUPERMAX® PUMP

## REPLACEMENT PARTS



CALIFORNIA PROPOSITION 65 WARNING  
 ⚠️ **WARNING:** Cancer and Reproductive Harm.  
 ⚠️ **AVERTISSEMENT:** Peut Causer le Cancer et des Dommages au Système Reproducteur.  
 ⚠️ **ADVERTENCIA:** Cáncer y Daño Reproductivo.  
 www.p65warnings.ca.gov. PH20274A

Item	Part No.	Description	US List	Can. List
<b>SINGLE SPEED SUPERMAX MOTORS</b>				
1	354804S	3/4HP, 1SP, 1PH, TEFC, 115/208-230	CALL	CALL
1	354822S	1HP, 1SP, 1PH, TEFC, 115/208-230	CALL	CALL
1	354824S	1-1/2HP, 1SP, 1PH, TEFC, 208-230	CALL	CALL
1	354816S	2HP, 1SP, 1PH, TEFC, 208-230	CALL	CALL
1	355019S	1/2 HP Motor, SQFL, 1 sp, 1 ph, 60 hz, 115/208-230, Black	CALL	CALL
1	355019S	3/4 HP Motor, SQFL, 1 sp, 1 ph, 60 hz, 115/208-230, Black	CALL	CALL
1	355021S	1 HP Motor, SQFL, 1 sp, 1 ph, 60 hz, 2115/208-230, Black	CALL	CALL
1	355023S	1-1/2 HP Motor, SQFL, 1 sp, 1 ph, 60 hz, 115/208-230, black	CALL	CALL
1	355025S	2 HP Motor, SQFL, 1 sp, 1 ph, 60 hz, 115/208-230, Black	CALL	CALL
1	355027S	2-1/2 HP Motor, SQFL, 1 sp, 1 ph, 60 hz, 208-230, Black	CALL	CALL
<b>2 SPEED SUPERMAX MOTORS</b>				
1	355232S	1 HP Motor, SQFL, 2 sp, 1 ph, 60 hz, 230V, Black	CALL	CALL
1	355376S	1-1/2 HP Motor, SQFL, 2 sp, 1 ph, 60 hz, 230V, Black	CALL	CALL
1	355377S	2 HP Motor, SQFL, 2 sp, 1 ph, 60 hz, 230V, Black	CALL	CALL
<b>EFFICIENT SUPERMAX MOTORS</b>				
1	355009S	1/2 HP Motor SQFL, 1 Speed, 1 phase, 60 Hz, 115/208-230, black	CALL	CALL
1	355009S	3/4 HP Motor SQFL, 1 Speed, 1 phase, 60 Hz, 115/208-230, black	CALL	CALL
1	355009S	1 HP Motor SQFL, 1 Speed, 1 phase, 60 Hz, 115/208-230, black	CALL	CALL
1	355011S	1.5 HP Motor SQFL, 1 Speed, 1 phase, 60 Hz, 115/208-230, black	CALL	CALL
1	355013S	2 HP Motor SQFL, 1 Speed, 1 phase, 60 Hz, 208-230, black	CALL	CALL
1	355015S	2.5 HP Motor SQFL, 1 Speed, 1 phase, 60 Hz, 208-230, black	CALL	CALL
<b>SUPERMAX PUMPS</b>				
2	355612	Seal Plate, Black	96.04	115.40
3	351094	Base, Black	106.09	127.48
4	351090	Clamp, Ramp & Cam, Black	44.62	53.62
5	350091	Lid	35.80	43.02
6	357255Z	O-ring, Lid #2-357	CALL	CALL
7	351089	Volute, Black	301.55	362.34
8	350093	Adapter, 2 req.	20.04	24.08

Item	Part No.	Description	US List	Can. List
9	270141	Nut, 2 req.	21.47	25.80
10	192115Z	O-Ring Drain Plug, 2 req.	CALL	CALL
11	357161Z	Drain Plug, 2 req.	CALL	CALL
12	355621	Screw 3/4-16 x 2-1/4 HEX HD, 4 req.	5.51	6.62
13	072184	Washer 3/8 in. S/S, 4 req.	1.69	2.03
14	355619Z	O-Ring Seal Bracket	CALL	CALL
15	6020018	O-Ring Adapter #2-226, 2 req.	0.38	0.46
16	355030Z	Seal Diffuser	CALL	CALL
17	355334Z	Screw #8-32 HEX Washer HD, 3 req.	CALL	CALL
<b>SUPERMAX DIFFUSERS</b>				
18	355617	Diffuser, 1/2 HP	105.79	127.12
18	355617	Diffuser, 3/4 HP	105.79	127.12
18	355617	Diffuser, 1 HP	105.79	127.12
18	355618	Diffuser, 1-1/2 HP	105.79	127.12
18	355618	Diffuser, 2 HP	105.79	127.12
18	350170	Diffuser, 2-1/2 HP	104.19	125.19
19	070429ZZ	Bolt 3/8-16 x 7/8 SS Hex Cap 18-8, 4 req.	CALL	CALL
<b>SUPERMAX IMPELLERS</b>				
20	355043	Impeller 1/2 HP	59.99	72.08
20	355043	Impeller 3/4 HP	59.99	72.08
20	355067	Impeller 1 HP	61.18	73.51
20	355074	Impeller 1-1/2 HP	61.90	74.38
20	355086	Impeller 2 HP	62.34	74.91
20	355093	Impeller 2-1/2 HP	63.47	76.27
20	355067	Impeller 1 HP, 2-SPD	61.18	73.51
20	355074	Impeller 1-1/2 HP, 2-SPD	61.90	74.38
20	355086	Impeller 2 HP, 2-SPD	62.34	74.91
21	355389	Screw, Impeller Locking	1.69	2.03
22	354545S	Seal Set	31.55	37.91
23	355667	Basket, Large	23.98	28.81
24	351157	SuperMax Union Kit (includes 2 of Items 8, 9, & 15)	93.25	112.05
<b>NOT SHOWN</b>				
	79129900	2-Speed Toggle Switch	53.80	64.65
	401014Z	Motor End Cap and Screw	28.65	34.43
	357924Z	Fan Guard Kit TEFC/Super-Duty	CALL	CALL

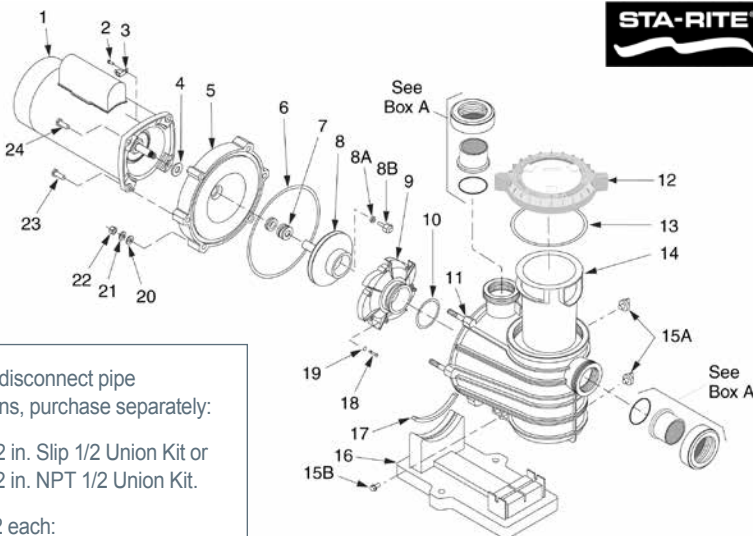
**Note:** Pumps and replacement motors that are single speed and one (1) total HP or greater cannot be sold, offered for sale, or installed in a residential pool for filtration use in California, Title 20 CCR sections 1601-1609.

# DYNA-PRO® / DYNA-PRO E PUMPS

1/2 THROUGH 2-1/2 HP MODELS, SINGLE SPEED AND TWO SPEED REPLACEMENT PARTS

Motor Chart

Single Speed 115/230/60/1		
MPRA6D-204L	3/4	A100DLL
MPRA6E-205L	1	A100ELL
MPRA6F-206L	1-1/2	A100FLL
MPEA6D-204L	3/4	AE100DLL
MPEA6E-205L	1	AE100ELL
MPEA6F-206L	1-1/2	AE100FLL
MPE6C-204L	1/2	AE100CHL
MPE6D-205L	3/4	AE100DHL
MPE6E-206L	1	AE100EHL
230/60/1		
MPRA6G-207L	2	A100GLL
MPEA6G-207L	2	AE100GLL
MPEAA6G-208L	2-1/2	AE100G5LL
MPE6F-207L	1-1/2	AE100FHL
MPE6G-208L	2	AE100GHL
Two Speed 230/60/1		
MPRA6YF-206L	1-1/2	A100FLL-Y
MPEA6YG-207L	2	AE100GLL-Y
MPEAA6YG-208L	2-1/2	AE100G5LL-Y
MPE6YF-207L	1-1/2	AE100GLL-Y
MPE6YG-208L	2	AE100G5LL-Y



**Box A**

For quick disconnect pipe connections, purchase separately:  
 Pkg. 188 2 in. Slip 1/2 Union Kit or  
 Pkg. 189 2 in. NPT 1/2 Union Kit.

Includes 2 each:  
 U11-200P Union Collar  
 U9-362 O-Ring

U11-196P 2 in. Slip adapter or  
 U11-199P 2 in. NPT adapter.

**CALIFORNIA PROPOSITION 65 WARNING**

⚠️ **WARNING:** Cancer and Reproductive Harm.  
 ⚠️ **AVERTISSEMENT:** Peut Causer le Cancer et des Dommages au Système Reproducteur.  
 ⚠️ **ADVERTENCIA:** Cáncer y Daño Reproductor.  
[www.p65warnings.ca.gov](http://www.p65warnings.ca.gov)      P812017A

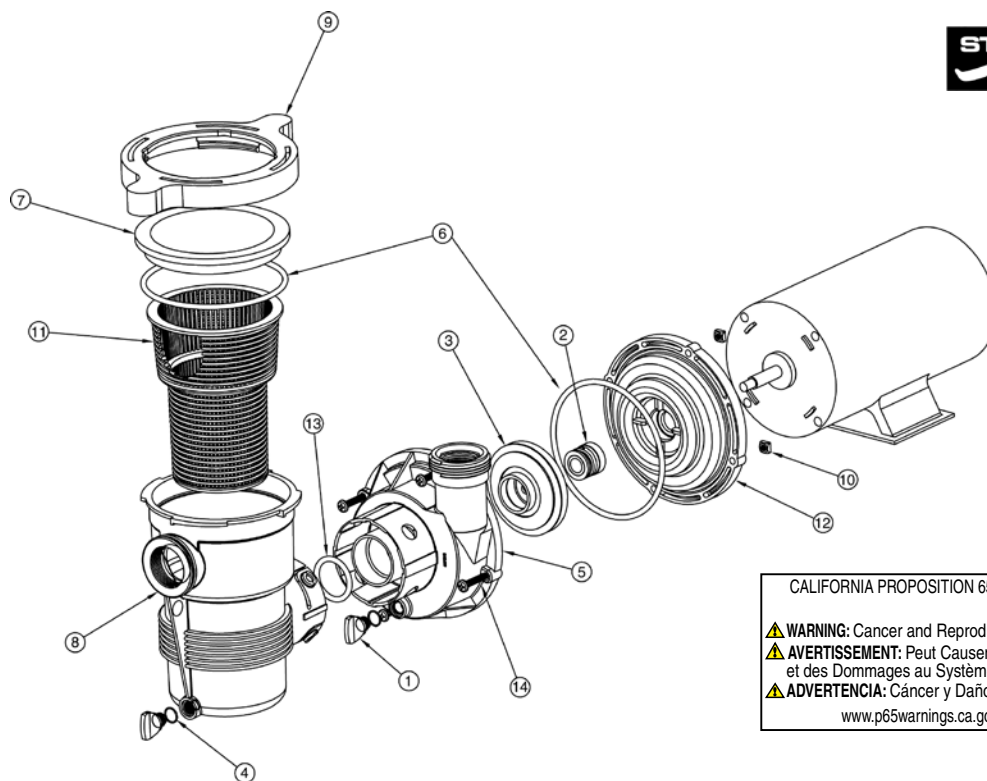
Item	Part No.	Description	US List	Can. List
<b>DYNA-PRO REPLACEMENT PARTS</b>				
2	U30-692SS	Screw #10-32 x 1/2 in.	2.27	2.73
3	U17-568	Bonding Lug	11.98	14.40
4	17351-0009	Slinger	2.07	2.49
5	C3-184P	Seal Plate	129.30	155.37
6	U9-373Z	Seal Plate Cord Ring	CALL	CALL
7	17351-0101S	Shaft Seal	28.74	34.53
8	C105-236P	Impeller, 1/2 HP - Models MPEA6D-204L, MPE6C-204L, MPRA6D-204L	52.20	62.72
8	C105-236PB	Impeller, 1 HP - Models MPEA6E-205L, MPE6D-205L, MPRA6E-205L, MPRA6E-147L, MPRA6E-147LC	52.20	62.72
8	C105-236PC	Impeller, 1-1/2 HP - Models MPEA6F-206L, MPE6E-206L, MPRA6F-206L, MPRA6YF-206L,	52.20	62.72
8	C105-236PDA	Impeller, 2 HP - Models MPEA6G-207L, MPE6F-207L, MPEA6YG-207L, MPE6YF-207L, MPRA6G-207	52.20	62.72
8	C105-236PEA	Impeller, 2-1/2 HP - Models MPEAA6G-208L, MPA6G-208L, MPEAA6YG-208L, MPE6G-208L	52.20	62.72
8A	33455-1047	Gasket, Models MPEA6G-207L, MPE6F-207L, MPEA6YG-207L, MPE6YF-207L, MPRA6G-207	CALL	CALL
8A	33455-1047	Gasket, Models MPEAA6G-208L, MPA6G-208L, MPEAA6YG-208L, MPE6G-208L	CALL	CALL
8B	37337-6080	Impeller Lock Screw, Models MPEA6G-207L, MPE6F-207L, MPEA6YG-207L, MPE6YF-207L, MPRA6G-207	21.22	25.50
8B	37337-6080	Impeller, Models MPEAA6G-208L, MPA6G-208L, MPEAA6YG-208L, MPE6G-208L	21.22	25.50

Item	Part No.	Description	US List	Can. List
9	C1-270PB	Diffuser - 1/2 HP	32.35	38.87
9	C1-270PC	Diffuser - 1 HP	32.35	38.87
9	C1-270P	Diffuser - 1-1/2 HP	32.35	38.87
9	C1-270P	Diffuser - 2 HP	32.35	38.87
9	C1-270P	Diffuser - 2-1/2 HP	32.35	38.87
10	U9-374Z	Diffuser O-Ring	CALL	CALL
10	357098Z	Diffuser O-Ring (Blue Coating)	6.34	7.62
11	C76-71P	Tank and Trap Body (Only)	300.67	361.29
12	17307-0111S	Lid and Locking Ring Assembly	77.32	92.91
13	35505-1440	Trap Cover O-Ring	20.44	24.56
14	C8-58PZ	Trap Basket	CALL	CALL
15A	U178-920PZ	Drain Plug	CALL	CALL
15B	U30-919SS	Mounting Screw 5/16-14 x 5/8 in.	4.81	5.78
16	C4-77P	Base - Plastic	54.66	65.68
17	C35-45	Motor Pad - for Plastic Base	4.99	6.00
18	U30-542SS	Screw #8-32 x 7/8 in. Rd. Hd.	2.41	2.90
19	U43-21SS	Lock Washer #8 Ext. Tooth.	1.87	2.25
20	U43-62SS	Flat Washer 3/8 in.	1.87	2.25
21	U43-12SS	Lock Washer 3/8 in.	2.92	3.51
22	071403	Nut 3/8-16 Hex	1.69	2.03
23	U30-75SS	Cap Screws 3/8-16 x 1-1/4 in. Hex. (LS Suffix)	3.06	3.68
24	U30-74SS	Cap Screws 3/8-16 x 1 in. Hex.	4.83	5.80

**Note: Pumps and replacement motors that are single speed and one (1) Total HP or greater cannot be sold, offered for sale, or installed in a residential pool for filtration use in California, Title 20 CCR sections 1601-1609.**

# OPTIFLO® PUMP

## PENTAIR AND STA-RITE REPLACEMENT PARTS



CALIFORNIA PROPOSITION 65 WARNING  
 ⚠️ WARNING: Cancer and Reproductive Harm.  
 ⚠️ AVERTISSEMENT: Peut Causer le Cancer et des Dommages au Système Reproducteur.  
 ⚠️ ADVERTENCIA: Cáncer y Daño Reproductivo.  
[www.p65warnings.ca.gov](http://www.p65warnings.ca.gov) PH200714

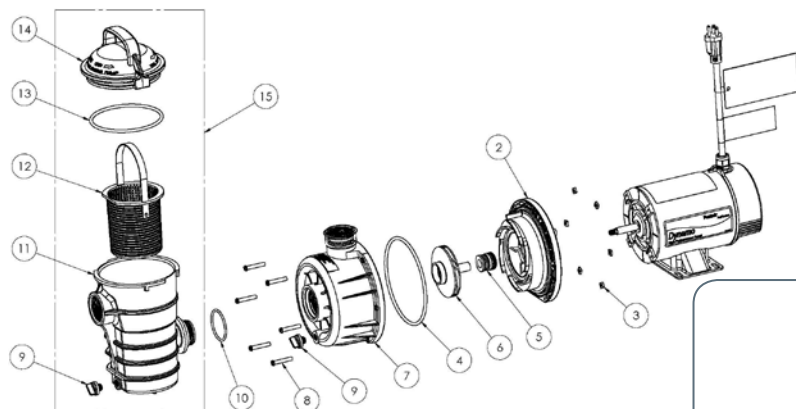
Item	Part No.	Description	US List	Can. List
OPTIFLO PUMPS				
1	357161Z	Drain plug	CALL	CALL
2	354545S	Mechanical seal	31.55	37.91
3	350017	Impeller, 1 HP	66.53	79.94
3	354552	Impeller, 3/4 HP	32.50	39.05
3	350018	Impeller, 1-1/2 HP	70.51	84.72
4	192115Z	O-ring	CALL	CALL
5	357213	Volute <sup>1</sup>	30.33	36.44
6	357255Z	O-ring 2-357	CALL	CALL
7	357227	Lid	13.15	15.80
7	357323	Lid, Chemical Resistant	CALL	CALL
8	357228	Pot <sup>1</sup>	27.13	32.60
9	357239	Clamp ring	15.91	19.12
10	357254	1/4-20 Square nut	1.56	1.87
11	355667	Basket	23.98	28.81
12	357215	Seal plate	37.63	45.22
13	350103	O-ring 2-130	6.08	7.31
14	98209000	1/4-20 x 1-1/2 Machine screw	2.25	2.70
NOT SHOWN				
	79137800	3 ft. cord - standard	70.91	85.21
	155234	3 ft. cord - TW	86.40	103.82

<sup>1</sup> Includes drain plugs.

**Note: Pumps and replacement motors that are single speed and one (1) Total HP or greater cannot be sold, offered for sale, or installed in a residential pool for filtration use in California, Title 20 CCR sections 1601-1609.**

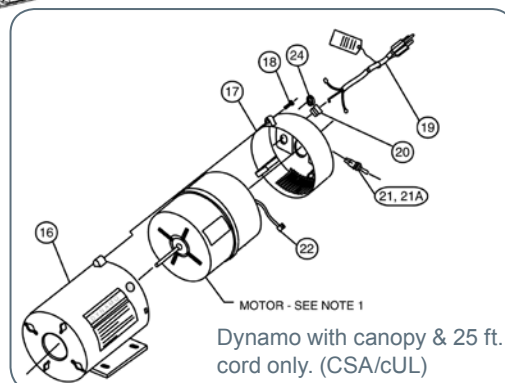
# DYNAMO® PUMP

## PENTAIR AND STA-RITE REPLACEMENT PARTS



**CALIFORNIA PROPOSITION 65 WARNING**

⚠ **WARNING:** Cancer and Reproductive Harm.  
 ⚠ **AVERTISSEMENT:** Peut Causer le Cancer et des Dommages au Système Reproducteur.  
 ⚠ **ADVERTENCIA:** Cáncer y Daño Reproductivo.  
[www.p65warnings.ca.gov](http://www.p65warnings.ca.gov)



Item	Part No.	Description	US List	Can. List
<b>DYNAMO PUMPS MOTORS</b>				
2	354632	Diffuser, 3/4 HP bracket	114.55	137.64
2	354633	Diffuser, 1, 1-1/2 HP bracket	114.55	137.64
3	354542	Nut, 10-24 SS, 6 req.	1.69	2.03
4	354634	O-ring, 3/16 in. bracket diffuser	8.89	10.68
5	354545S	Seal, 5/8 in. mechanical	31.55	37.91
6	353002	Impeller, 1/2 HP	39.94	47.99
6	354552	Impeller, 3/4 HP	32.50	39.05
6	355122	Impeller, 1 HP	37.71	45.31
7	354630	Housing, body	127.06	152.68
8	354541	Screw, 10-24-1-1/2 in. slotted hex, 6 req.	2.36	2.84
9	U178-920PZ	Drain plug assy. - 2 req.	CALL	CALL
10	273062	O-ring	1.77	2.13
11	354530	Pot	112.57	135.26
12	354548	Basket w/ handle	21.21	25.49
13	354533	O-ring, lid	9.92	11.92
14	354531	Lid, universal	62.87	75.54
14	354113	Chemical Resistant Lid	62.87	75.54
15	354103	Pot assembly	250.07	300.48

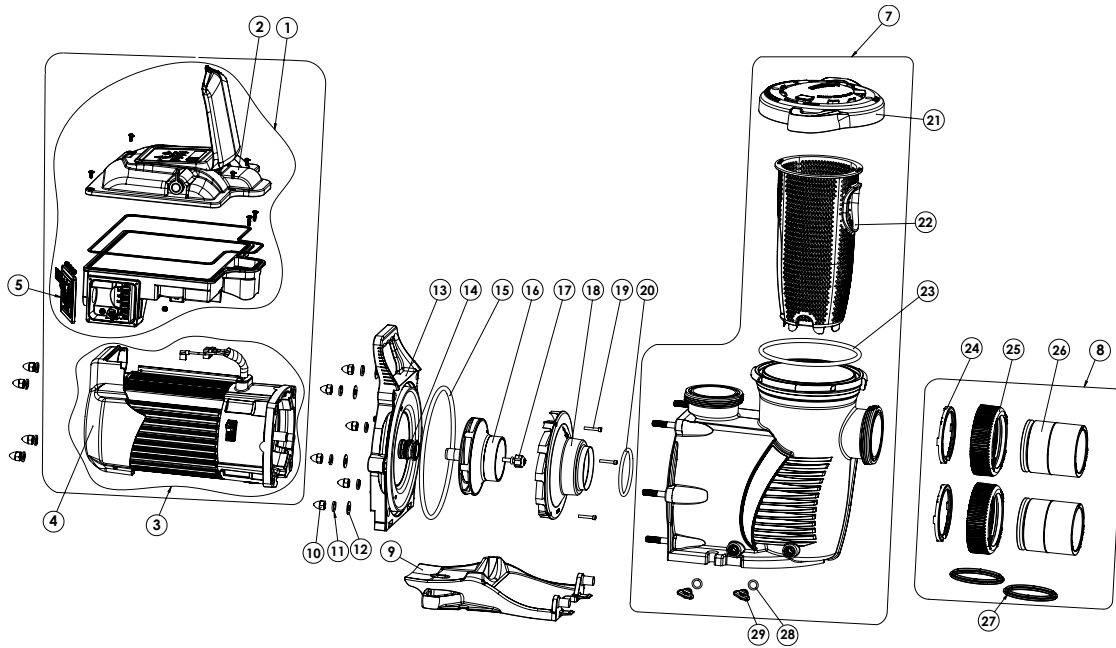
Item	Part No.	Description	US List	Can. List
<b>DYNAMO WITH CANOPY AND 25 FT. CORD ONLY (CSA/cUL)</b>				
16	354621	Body, motor enclosure	54.23	65.16
17	354881	Cap, motor enclosure (on/off)	70.55	84.77
17	354882	Cap, motor enclosure (two-speed)	70.55	84.77
18	154716	Screw, No.10 self tapping	0.81	0.97
19	155371	Cord, 25 ft.	85.34	102.54
20	41412700	Bushing connector	11.81	14.19
21	155187	Switch, on/off toggle (CSA)	24.16	29.03
21A	356546	Switch, three position toggle (Hi/Low/Off)	61.63	74.05
22	155193	Wire, 6 in. jumper	7.11	8.54
24	350024	Locknut, steel 1-1/2 in.	0.97	1.17
<b>NOT SHOWN</b>				
	352256	Nut, 1-1/2 in. quick connect, 2 req.	11.00	13.22
	354571	O-ring, 2 req.	3.84	4.61
	79137800	3 ft. cord standard assembly	70.91	85.21
	352245	Strain relief bushing for cords	4.66	5.60
	350444	Canopy switch assembly, on/off <sup>1</sup>	52.56	63.16
	350481	Canopy with on-off switch <sup>2</sup>	52.55	63.14
	356546	Motor switch assembly, two-speed	61.63	74.05
	155380Z	Base CSA 4 in.	93.08	111.84
	155234	3 ft. cord TW	86.40	103.82
	79137800	3 ft. cord-standard	70.91	85.21

<sup>1</sup> Pumps manufactured before 4/13.  
<sup>2</sup> Pumps manufactured after 4/13.

**Note:** Pumps and replacement motors that are single speed and one (1) Total HP or greater cannot be sold, offered for sale, or installed in a residential pool for filtration use in California, Title 20 CCR sections 1601-1609.

# WHISPERFLOXF® VS PUMP

## REPLACEMENT PARTS

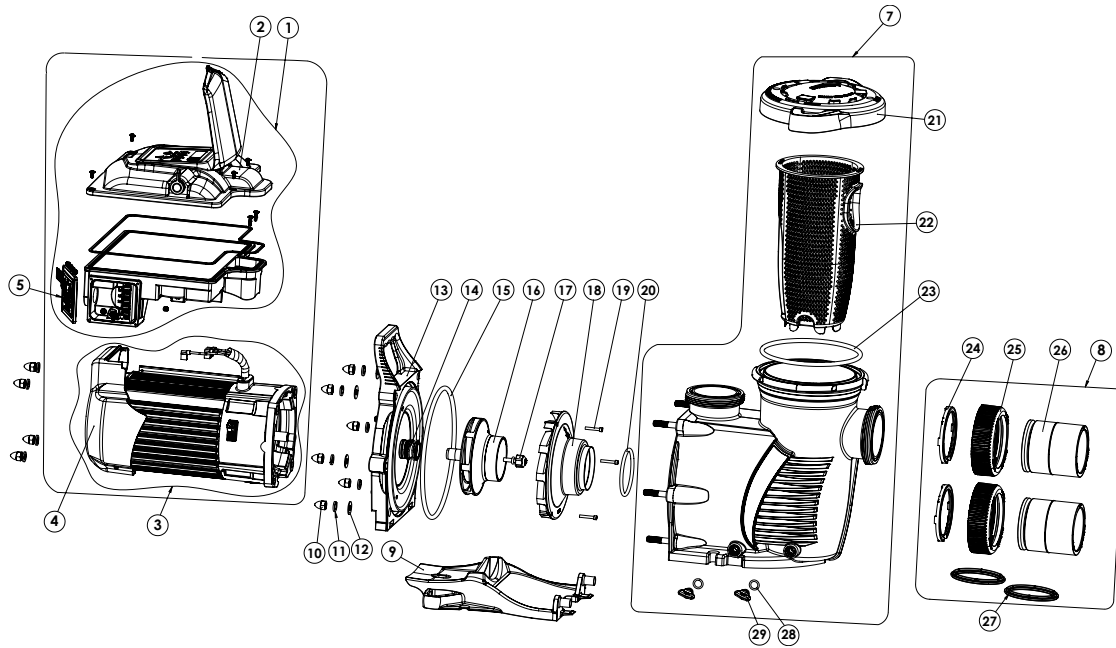


Item	Part No.	Description	US List	Can. List
<b>WHISPERFLOXF VS PUMP</b>				
1	358085	Drive Kit (includes drive, top cover, keypad cover and field wiring cover/screws)	CALL	CALL
2	358093	Top Cover Kit w/Screws	CALL	CALL
3	358089	Motor w/Fan Shroud	CALL	CALL
4	358095	Fan Shroud w/Screws	CALL	CALL
5	358091	Field Wiring Cover w/Screws	CALL	CALL
7	400000	Wet End Assembly	346.35	416.17
8	410020	Union Kit	157.79	189.60
9	400004Z	Motor Base	42.27	50.79
10	071413	Acorn Nut (Qty. 10)	1.34	1.61
11	U43-12SS	Lock Washer (Qty. 10)	2.92	3.51
12	072184	Flat Washer (Qty. 6)	1.69	2.03
13	400002	Seal Plate	228.90	275.05
14	17351-0101S	Mechanical Seal	28.74	34.53
15	351446	Seal Plate O-Ring	6.87	8.25
16	400023	Impeller	CALL	CALL
17	37337-6080	Impeller Set Screw	21.22	25.50

Item	Part No.	Description	US List	Can. List
<b>WHISPERFLOXF VS PUMP</b>				
18	400011	Diffuser	CALL	CALL
19	353323	Diffuser Screws	3.60	4.33
20	350336	Diffuser O-Ring	3.60	4.33
21	400006	Lid/Locking Ring Assembly	60.94	73.23
22	400007Z	Strainer Basket	38.11	45.79
23	35505-1440	Lid/Locking Ring O-Ring	20.44	24.56
24	410001	2.5 in. C-Clip Locking Ring (Qty. 2)	7.72	9.28
25	411000	2.5 in. Union Nut (Qty. 2)	21.20	25.47
26	410002	2.5 in. Union Adapter w/o Tap (Qty. 2)	36.56	43.93
27	410016Z	2.5 in. Diamond Seal Kit (Qty. 2)	13.05	15.68
28	192115Z	Drain Plug O-Rign (Qty. 2)	CALL	CALL
29	071131Z	Drain Plug (Qty. 2)	CALL	CALL
<b>NOT SHOWN</b>				
	353129Z	External Control Wiring Kit	98.20	118.00
	97014-4203KIT	3-inch Flowmeter Kit	CALL	CALL

# MAX-E-PROXF<sup>®</sup> VS PUMP

## REPLACEMENT PARTS



Item	Part No.	Description	US List	Can. List
<b>MAX-E-PROXF VS PUMP</b>				
1	358086	Drive Kit (includes drive, top cover, keypad cover and field wiring cover/screws)	CALL	CALL
2	358094	Top Cover Kit w/Screws	CALL	CALL
3	358090	Motor w/Fan Shroud	CALL	CALL
4	358096	Fan Shroud w/Screws	CALL	CALL
5	358092	Field Wiring Cover w/Screws	CALL	CALL
7	401000	Wet End Assembly	346.35	416.17
8	410020	Union Kit	157.79	189.60
9	400004Z	Motor Base	42.27	50.79
10	071413	Acorn Nut (Qty. 10)	1.34	1.61
11	U43-12SS	Lock Washer (Qty. 10)	2.92	3.51
12	072184	Flat Washer (Qty. 6)	1.69	2.03
13	401002	Seal Plate	228.90	275.05
14	17351-0101S	Mechanical Seal	28.74	34.53
15	351446	Seal Plate O-Ring	6.87	8.25
16	400023	Impeller	CALL	CALL
17	37337-6080	Impeller Set Screw	21.22	25.50

Item	Part No.	Description	US List	Can. List
<b>MAX-E-PROXF VS PUMP</b>				
18	400011	Diffuser	CALL	CALL
19	353323	Diffuser Screws	3.60	4.33
20	350336	Diffuser O-Ring	3.60	4.33
21	401006	Lid/Locking Ring Assembly	60.94	73.23
22	400007Z	Strainer Basket	38.11	45.79
23	35505-1440	Lid/Locking Ring O-Ring	20.44	24.56
24	410001	2.5 in. C-Clip Locking Ring (Qty. 2)	7.72	9.28
25	411000	2.5 in. Union Nut (Qty. 2)	21.20	25.47
26	410002	2.5 in. Union Adapter w/o Tap (Qty. 2)	36.56	43.93
27	410016Z	2.5 in. Diamond Seal Kit (Qty. 2)	13.05	15.68
28	192115Z	Drain Plug O-Rign (Qty. 2)	CALL	CALL
29	357161Z	Drain Plug (Qty. 2)	CALL	CALL
<b>NOT SHOWN</b>				
	353129Z	External Control Wiring Kit	98.20	118.00
	97014-4203KIT	3-inch Flowmeter Kit	CALL	CALL

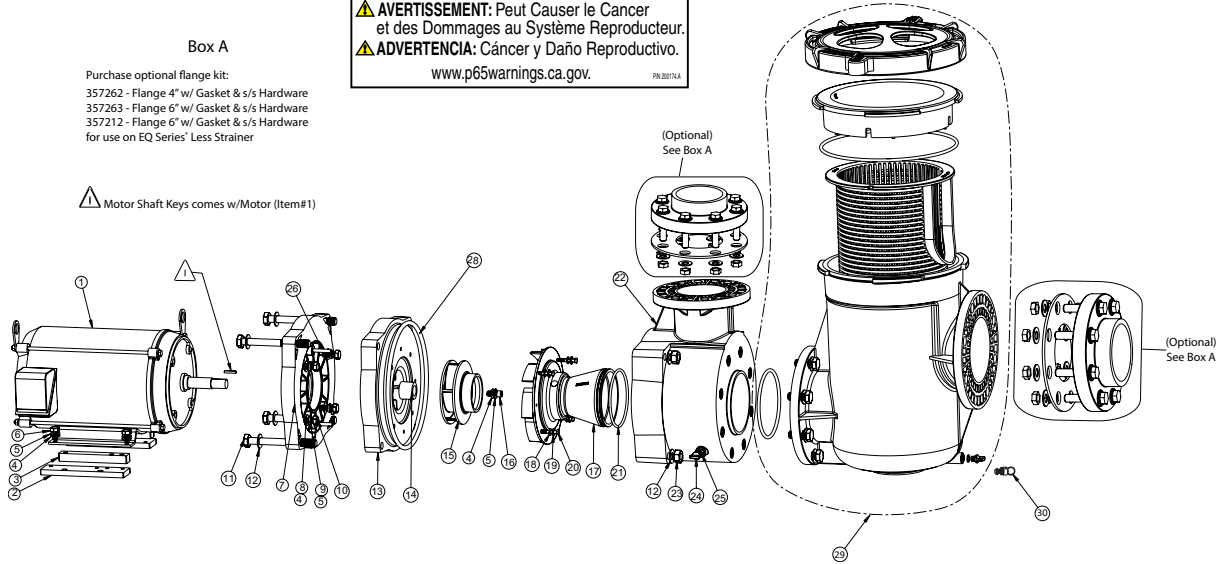
# EQ SERIES® COMMERCIAL PLASTIC PUMP REPLACEMENT PARTS

CALIFORNIA PROPOSITION 65 WARNING  
 ⚠️ **WARNING:** Cancer and Reproductive Harm.  
 ⚠️ **AVERTISSEMENT:** Peut Causer le Cancer et des Dommages au Système Reproducteur.  
 ⚠️ **ADVERTENCIA:** Cáncer y Daño Reproductivo.  
[www.p65warnings.ca.gov](http://www.p65warnings.ca.gov)

**Box A**

Purchase optional flange kit:  
 357262 - Flange 4" w/ Gasket & s/s Hardware  
 357263 - Flange 6" w/ Gasket & s/s Hardware  
 357212 - Flange 6" w/ Gasket & s/s Hardware  
 for use on EQ Series' Less Strainer

⚠️ Motor Shaft Keys comes w/Motor (Item#1)



Part No.	Model No.	HP	Phase	Motor Support (Item No. 2)	Additional Motor Support (Item No. 3)	Motor No. (Item No. 1)	Impeller (Item No. 15)	Diffuser (Item No. 17)
340019, 340030	EQ500	5	1	356713	356712	357065S	350030	350032
340020, 340031	EQK500	5	3	356713	356712	357068S	350030	350032
340604, 340608	EQKT500	5	3	356713	356712	350731Z	350030	350032
340021, 340032	EQ750	7-1/2	1	356713	N/A	357066S	350029	350033
340022, 340033	EQK750	7-1/2	3	356713	356712	357069S	350029	350033
340605, 340609	EQKT750	7-1/2	3	356713	N/A	350732Z	350029	350033
340237, 340238	EQ1000	10	1	356713	N/A	357063S	350028	350033
340023, 340034	EQK1000	10	3	356713	N/A	357070S	350028	350033
340606, 340610	EQKT1000	10	3	356713	N/A	350733Z	350028	350033
340024, 340035	EQK1500	15	3	356713	N/A	357071S	350027	356735
340607, 340611	EQKT1500	15	3	356713	N/A	350734Z	350027	356735
340045, 340047	EQK1000 EXPL PF, 50 Hz	10	3	356713	N/A	350112S	350027	356735
340046, 340048	EQK750 EXPL PF, 50 Hz	7-1/2	3	356713	N/A	350113S	350028	350033
340049, 350083	EQK1000, 50 Hz	10	3	356713	N/A	350153S	350027	356735
340080, 340084	EQK750, 50 Hz	7-1/2	3	356713	N/A	350154S	350028	350033
340081, 340085	EQK500, 50 Hz	5	3	356713	356712	350155S	350029	350033
340082, 340086	EQK300, 50 Hz	3	3	356713	356712	350156S	350030	350032
340014, 340026	EQW300	3	1	356713	356712	357064S	350027	356735
340016, 340027	EQWK300	3	3	356713	356712	357067S	350027	356735
340018, 340029	EQWK500	5	3	356713	356712	350158S	350070	357273
340017, 340028	EQW500	5	1	356713	356712	350159S	350070	357273
340148, 340155	EQK500 575V	5	3	356713	356712	355038S	350030	350032
340149, 340156	EQK750 575V	7-1/2	3	356713	356712	355039S	350029	350033

Call for pricing on these items.

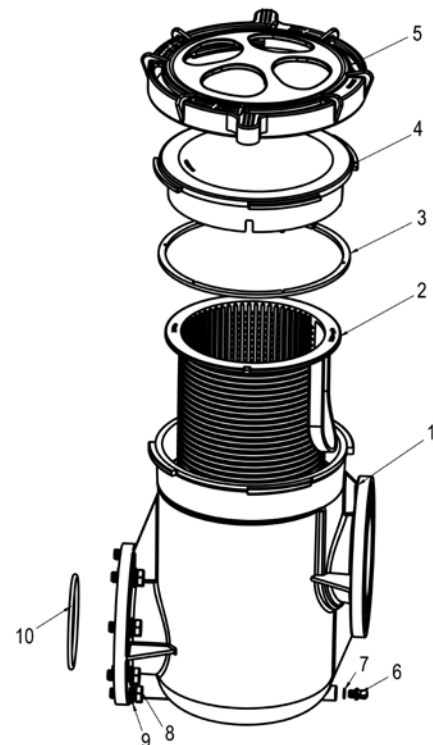
# EQ SERIES® COMMERCIAL PLASTIC PUMP

## REPLACEMENT PARTS

Item	Part No.	Description	US List	Can. List
<b>EQ SERIES PUMP</b>				
1		Motor - See Table on Prev Page		
2		Support - Motor - See Table on Prev Page		
3		Support Adapter - See Table on Prev Page		
4	072184	Washer, Flat 3/8 in. ID x 7/8 in. OD .05 Thk 18-8 s/s - (qty. 51 & qty. 9)	1.69	2.03
5	98220600	Washer Split Lock 3/8 in. 18-8 s/s - (qty. 51 & qty. 9)	1.69	2.03
6	A135	Screw 3/8 in.-16 x 3/4 in. Hx Hd Cap 18-8 s/s (EQ750...1PH, EQ1000, EQ1500) - (qty. 4)	13.67	16.43
6	350073	Screw 3/8 in.-16 x 1-1/2 Hx Hd Cap 18-8 s/s (EQ300, EQ500, EQ750...3PH) - (qty. 4)	6.30	7.57
7	356790	Adapter - Motor - EQ Series	1131.24	1359.30
8	075842	Washer, Flat 1/2 in. ID x 1-1/4 in. OD .125 Thk 300 s/s - (qty. 4)	1.69	2.03
9	350063	Washer Split Lock 1/2 in. 18-8 s/s - (qty. 4)	8.07	9.70
10	U30-74SS	Screw 3/8 in.-16 x 1 in. Hx Hd Cap 18-8 s/s (EQ300, EQ500, EQ750...3PH) - (qty. 4)	4.83	5.80
10	071687	BLT 1/2-13 x 1.25 STL HH SS (qty. 4)	7.11	8.54
11	356710	Screw 5/8 in.-11 x 6-1/2 in. Hx Hd Cap 18-8 s/s - (qty. 4)	154.48	185.62
12	356789	Washer, Flat 11/16 in. IDx1 - 5/16 in. OD .078 Thk 300 s/s (qty. 8)	1.69	2.03
13	356795	Seal Plate - EQ Series	1336.90	1606.42
14	071725S	Seal Set	56.13	67.45
15		Impeller - See Table on Prev Page		
16	071037	Screw 3/8 in.-16 x 1 in. Sckt. Hd Cap 18-8 s/s	7.28	8.75

Item	Part No.	Description	US List	Can. List
17		Diffuser - See Table on Prev Page		
18	51008500	Washer, Flat 1/4 in. 300 s/s - (qty. 4)	4.59	5.52
19	072172	Washer Split Lock 1/4 in. 18-8 s/s - (qty. 4)	0.27	0.32
20	350035	Screw 1/4 in.-20 x 1-1/2 in. Hx Hd Cap 18-8 s/s (EQ500, EQ750, EQ1000) - (qty. 4)	6.03	7.25
20	356797	Screw 1/4 in.-20 x 1-3/4 in. Hx Hd Cap 18-8 s/s (EQW300, EQ1500) - (qty. 4)	6.78	8.15
21	350037	O-ing Diffuser 3/16 in. x 4-7/8 in.	20.94	25.16
22	356755	Housing - EQ Series	4022.94	4833.96
23	356776	Nut 5/8 in.-11 Hx Brass - (qty. 5)	19.76	23.74
24	357161Z	Drain Plug	CALL	CALL
25	192115Z	O-ring Drain Plug	CALL	CALL
26	350060	Pin Dowel 5/16 in. x 1-3/4 in. 18-8 s/s - (qty. 2)	28.97	34.81
28	356780	O-ring Seal Plate 3/8 in. x 11 in. dia.	62.29	74.85
29	340013	Strainer Pot Assy Complete EQ 6 in. x 6 in.	1754.20	2107.85
30	350087	Pressure Relief Valve	77.57	93.21
<b>NOT SHOWN</b>				
	351137S	EQ Alignment Tool Seal Plate to Motor	288.63	346.82
	354825	Hardware Kit for 7.5 HP ODP to TEFC Motor Conversion	63.39	76.17

Item	Part No.	Description	US List	Can. List
<b>EQ SERIES HAIR &amp; LINT STRAINER</b>				
1	356725	Pot EQ strainer	1363.40	1638.26
2	357184	Basket EQ strainer	250.76	301.31
3	350166	Gasket, EQ lid	25.27	30.36
4	356750	Lid EQ clear	568.29	682.86
5	350171	Clamp Cam & Ramp™ EQ (No Lid)	785.23	943.53
6	357161Z	Drain Plug	CALL	CALL
7	192115Z	O-ring drain plug	CALL	CALL
8	356788	Screw, 5/8 in., 11 x 1-3/4 in. hx hd cap 18-8 SS (qty. 8)	12.44	14.95
9	356789	Washer, flat 11/16 in. ID x 1-5/16 in. OD 0.078 thk 300 SS (qty. 8)	1.69	2.03
10	350013Z	O-ring pot flange	CALL	CALL
<b>NOT SHOWN</b>				
	350087	Pressure relief valve, 1/4 in. NPT	77.57	93.21



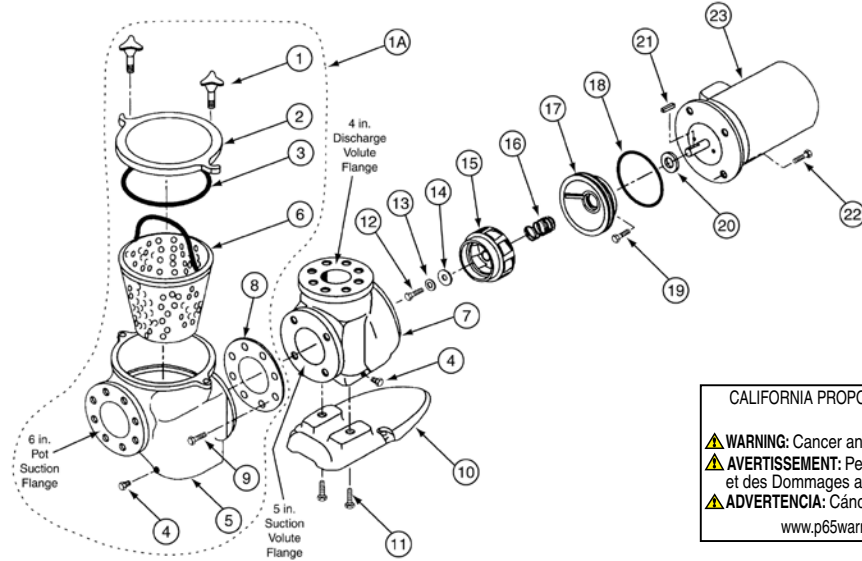
**CALIFORNIA PROPOSITION 65 WARNING**

⚠ **WARNING:** Cancer and Reproductive Harm.  
 ⚠ **AVERTISSEMENT:** Peut Causer le Cancer et des Dommages au Système Reproducteur.  
 ⚠ **ADVERTENCIA:** Cáncer y Daño Reproductivo.  
[www.p65warnings.ca.gov](http://www.p65warnings.ca.gov)



# C SERIES® HIGH PERFORMANCE COMMERCIAL PUMP

## REPLACEMENT PARTS



CALIFORNIA PROPOSITION 65 WARNING

⚠️ **WARNING:** Cancer and Reproductive Harm.  
 ⚠️ **AVERTISSEMENT:** Peut Causer le Cancer et des Dommages au Système Reproducteur.  
 ⚠️ **ADVERTENCIA:** Cáncer y Daño Reproductivo.

www.p65warnings.ca.gov. P652017A

Item	Part No.	Ref. No.	Description	US List	Can. List
<b>C SERIES PUMPS</b>					
1	075280	54475280618	Hand nut assembly, bronze, 2 req.	156.20	187.69
1A	072747		C series pot assembly <sup>1</sup>	7084.69	8512.96
2	075275	26075275219	Cover, C16, bronze	1132.95	1361.35
3	071433	3640525457	O-ring, C-18	10.71	12.87
4	071551	6000002190	Plug pipe, 1/4 in. bronze, 1 req.	6.35	7.63
5	075271Z	79675271199	Pot mach. bronze	5367.25	6449.29
6	072795	70472795100	Basket, C-29 SS 11 in.	533.03	640.49
7	075273Z	18075273199	Volute, C-2 bronze	5294.82	6362.26
8	070943	36470943603	Gasket flange, P-135, 5 in.	32.83	39.45
9	071683	1680634104	Screw, 3/4-10, 1-3/4, SS, 4 req.	41.00	49.27
10	075287	82075287632	Foot, C-4 coated	118.00	141.79
11	071688	1680558359	Screw, 5/8, 11 x 1 stl. hh., 2 req.	2.16	2.60
12	071037	1680115104	Impeller, C-35 lock screw	7.28	8.75
13	071048	90871048212	Impeller, washer, C-71	16.47	19.79
14	075713	3642034603	Impeller, washer gasket	1.69	2.03
15	073828	44473328208	Impeller, CH-50/CHK-50/CHKL-50, 5HP, 1PH, 3PH, high hd.	1748.44	2100.93
15	070228	44470228208	Impeller, CM-50/CMK-50/CMKL-50, 5HP, 1PH, 3PH, med. hd.	1748.44	2100.93
15	073829	44473829208	Impeller, CH-75/CHK-75/CHKL-75, 7.5HP, 1PH, 3PH, high hd.	1748.44	2100.93
15	070227	44470227208	Impeller, CM-75/CMK-75/CMKL-75, 7.5HP, 1PH, 3PH, med. hd.	1748.44	2100.93
15	073830	44473830208	Impeller, CH-100/CHK-100/CHKL-100, 10HP, 1PH, 3PH, high hd.	1748.44	2100.93

Item	Part No.	Ref. No.	Description	US List	Can. List
15	070226	44470226208	Impeller, CM-100/CMK-100/CMKL-100, 10HP, 1PH, 3PH, med hd.	1748.44	2100.93
15	073831	44473831208	Impeller, CHK-150/CHKL-150, 15HP, 3PH, high hd.	1748.44	2100.93
15	070225	44470225208	Impeller, CMK-150/CMKL-150, 15HP, 3PH, med hd.	1748.44	2100.93
15	073832	44473832208	Impeller, CHK-200/CHKL-200, 20HP, 3PH, high hd.	1748.44	2100.93
16	071725S	71271725753	Seal, C-7, PS-360	56.13	67.45
17	070906	11670906199	Flange, mach., C-52 brass	761.50	915.02
18	071423	3640508457	O-ring, C-70	4.25	5.11
19	071681	1680378104	Screw, 3/8, 16 x 7/8 in. CS hh., 2 req.	1.60	1.92
20	072185	7641043478	Water slinger, C-115	11.31	13.59
21	071046	4720201104	Impeller, key, 3/16 in.	28.65	34.43
22	071687	1680155113	Screw, 1/2, 13 x 1-1/4 stl. hh., 4 req.	7.11	8.54
<b>60 HERTZ MOTORS</b>					
23	357205S		Motor package, 5HP, 1PH, 200/208V	CALL	CALL
23	071366S	52571366999	Motor package, 5HP, 1PH, 230V	CALL	CALL
23	357206S		Motor package, 5HP, 3PH, 200/208V	CALL	CALL
23	071364S	52571364999	Motor package, 5HP, 3PH, 208-220/440	CALL	CALL
23	357207S		Motor package, 7-1/2 HP, 1PH, 200/208V	CALL	CALL
23	357204S	525357204999	Motor package, 7-1/2 HP, 1PH, 230V	CALL	CALL
23	357208S		Motor package, 7-1/2 HP, 3PH, 200/208V	CALL	CALL
23	071365S	52571365999	Motor package, 7-1/2 HP, 3PH, 208-220/440V	CALL	CALL

# C SERIES® HIGH PERFORMANCE PUMP (CONT'D)

## REPLACEMENT PARTS

Item	Part No.	Ref. No.	Description	US List	Can. List
<b>C SERIES PUMPS</b>					
<b>60 HERTZ MOTORS (Cont'd)</b>					
23	357247S		Motor package, 7.5HP, 3PH, 575V	CALL	CALL
23	357209S		Motor package, 10HP, 3PH, 200/208V	CALL	CALL
23	357249S		Motor package, 10HP, 1PH, 230V	CALL	CALL
23	071363S	52571363999	Motor package, 10HP, 3PH, 208-220/440V	CALL	CALL
23	357238S		Motor package, 10HP, 3PH, 575V	CALL	CALL
23	357210S		Motor, package 15HP, 3PH, 200/208V	CALL	CALL
23	071361S	52571361999	Motor package, 15HP, 3PH, 208-220/440V	CALL	CALL
23	357245S		Motor package, 15HP, 3PH, 575V	CALL	CALL
23	357211S		Motor package, 20HP, 3PH, 200/208V	CALL	CALL
23	071362S	52571362999	Motor package, 20HP, 3PH, 208-220/440V	CALL	CALL
23	357246S		Motor, package 20HP, 3PH, 575V	CALL	CALL
<b>50 HERTZ MOTORS</b>					
23	072737S	52572737999	Motor, 5HP, 3PH, 380/415V	CALL	CALL
23	072739S	52572739999	Motor, 7.5HP, 3PH, 380/415V	CALL	CALL
23	072740S	52572740999	Motor, 10HP, 3PH, 380/415V	CALL	CALL
23	072742S	52572742999	Motor, 15HP, 3PH, 380/415V	CALL	CALL
23	072744S	52572744999	Motor, 20HP, 3PH, 380/415V	CALL	CALL
<b>Motor subassemblies include items No.12 -21 and 23</b>					
	073260	A073260	Motor, sub assembly, CM-50	CALL	CALL
	073262	A073262	Motor, sub assembly, CMK-50 <sup>2</sup>	CALL	CALL
	073264	A073264	Motor, sub assembly, CH-50	CALL	CALL
	073265	A073265	Motor, sub assembly, CHK-50 <sup>2</sup>	CALL	CALL
	073263	A073263	Motor, sub assembly CMK-75 <sup>2</sup>	CALL	CALL
	073266	A073266	Motor, sub assembly CHK-75 <sup>2</sup>	CALL	CALL
	073680	A073680	Motor, sub assembly CMK-100 <sup>2</sup>	10488.40	12602.86
	073267		Motor, sub assembly CHK-100 <sup>2</sup>	CALL	CALL
	073261	A073261	Motor, sub assembly CMK-150 <sup>2</sup>	CALL	CALL
	073268	A073268	Motor, sub assembly CHK-150 <sup>2</sup>	CALL	CALL

Item	Part No.	Ref. No.	Description	US List	Can. List
	073269	A073269	Motor, sub assembly CHK-200 <sup>2</sup>	CALL	CALL
	357910	A357910	Motor, sub assembly CH-75, 1PH, 230V <sup>3</sup>	CALL	CALL
	357930	A357930	Motor, sub assembly CM-75, 1PH, 200V <sup>3</sup>	CALL	CALL
	357935	A357935	Motor, sub assembly CH-75, 1PH, 200V <sup>3</sup>	CALL	CALL
	357250		Motor, sub assembly CH-100, 10HP, 1PH, 230V	CALL	CALL
	357251		Motor, sub assembly CM-100, 1PH, 230V	CALL	CALL
	014700	A014700	Motor, sub assembly CMKL-50 380/415V <sup>4</sup>	CALL	CALL
	014801	A014801	Motor, sub assembly CHKL-50 380/415V <sup>4</sup>	CALL	CALL
	014701	A014701	Motor, sub assembly CMKL-75 380/415V <sup>4</sup>	CALL	CALL
	014802	A014802	Motor, sub assembly CHKL-75 380/415V <sup>4</sup>	CALL	CALL
	014702	A014702	Motor, sub assembly CMKL-100 <sup>4</sup>	CALL	CALL
	014803	A014803	Motor, sub assembly CHKL-100 <sup>4</sup>	CALL	CALL
	014703	A014703	Motor, sub assembly CMKL-150 <sup>4</sup>	CALL	CALL
	014804	A014804	Motor, sub assembly CHKL-150 <sup>4</sup>	CALL	CALL
	014805	A014805	Motor, sub assembly CHKL-200 <sup>4</sup>	CALL	CALL

<sup>1</sup> Includes: 2 of item No. 1, 1 each of items No. 2 thru No. 6, 1 of item No. 8 and 4 of item No. 9.  
<sup>2</sup> All motor subassemblies are 60 Hertz 220/440V, 3 phase.  
<sup>3</sup> All motor subassemblies are single phase 60 Hertz.  
<sup>4</sup> All motor subassemblies are 50 Hertz 380/415V, 3 phase.

**Notes:**

- All bronze C-series parts will retrofit older cast iron models.
- Standard flange not included with pump.
- For all 200/208V applications, use 200/208V motors only.

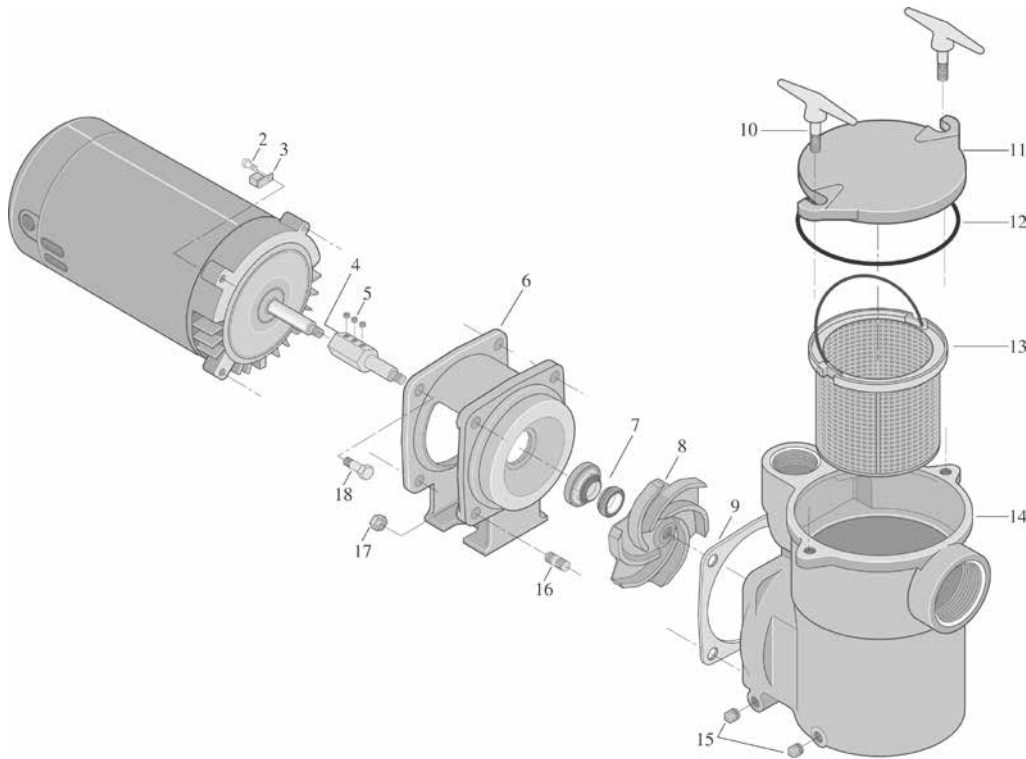
**CALIFORNIA PROPOSITION 65 WARNING**

▲ **WARNING:** Cancer and Reproductive Harm.  
▲ **AVERTISSEMENT:** Peut Causer le Cancer et des Dommages au Système Reproducteur.  
▲ **ADVERTENCIA:** Cáncer y Daño Reproductivo.

www.p65warnings.ca.gov. PH2017A

# CF6 SERIES™ PUMP

## REPLACEMENT PARTS



Item	Part No.	Description	US List	Can. List
<b>CF6 SERIES</b>				
2	U30-692SS	Screw	2.27	2.73
3	U17-568	Bonding Lug	11.98	14.40
4	C110-17	Stub Shaft Assembly (w/ Set Screws)	145.47	174.80
5	354256	1/4-20 x 3/8 in. SS Set	2.98	3.58
6	C2-57D	Adapter	456.06	548.00
7	U109-136SS	Shaft Seal	33.01	39.66
8	C5-181D	Impeller - Model # CF6EF-81I 1-1/4 HP 230V	229.43	275.68
8	C5-182D	Impeller - Model # CF6EG-82I 2 HP 230V	214.34	257.55
8	C5-203D	Impeller - Model # CF6H-123 - 3 HP 230V, Model # CF6H3- 123 - 3 HP 230/460V	257.83	309.81

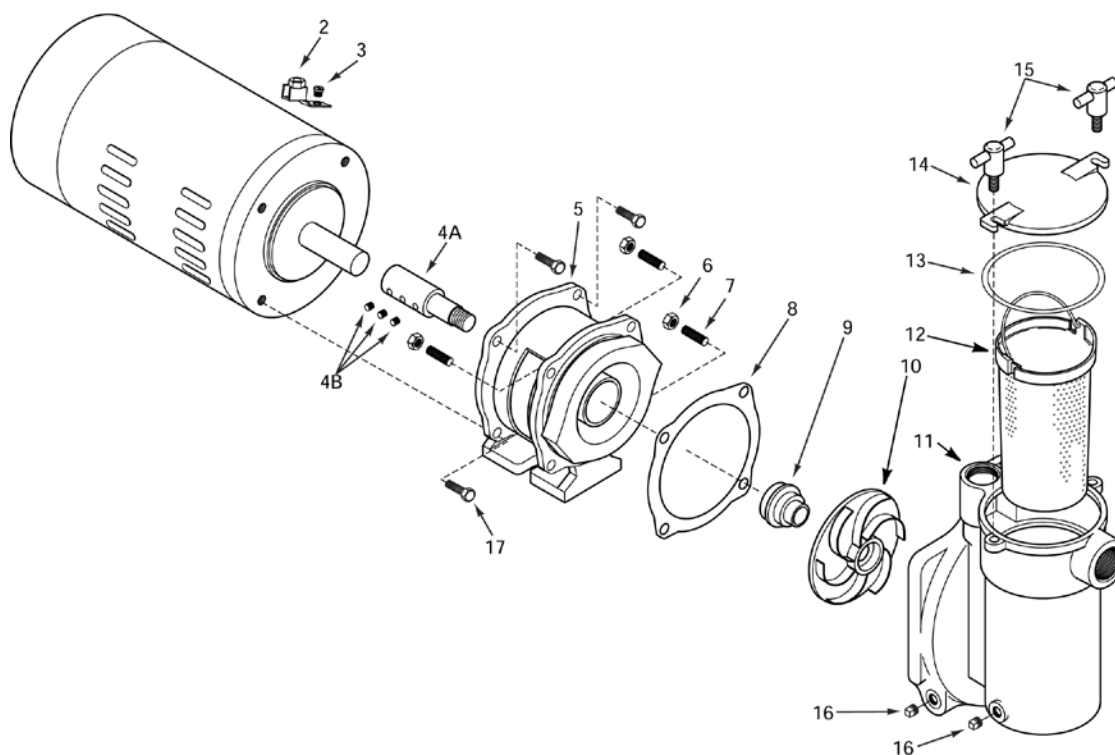
Item	Part No.	Description	US List	Can. List
9	C20-72	Gasket	4.81	5.78
10	C154-18D	Trap Handle	38.35	46.08
11	C3-78D	Trap Cover	245.88	295.45
12	U9-46	Cord Ring	13.60	16.34
13	C108-11P	Strainer Basket	36.42	43.76
14	C1-201DB	Volute & Trap Body	1300.46	1562.63
15	U78-57DT	Pipe Plug, 1/4 in. NPT	CALL	CALL
16	U30-22SS	Stud, 3/8-16 x 1-1/4 in.	8.35	10.03
18	U30-72SS	Capscrew, 3/8-16 x 5/8 in.	4.68	5.62

### CALIFORNIA PROPOSITION 65 WARNING

**⚠ WARNING:** Cancer and Reproductive Harm.  
**⚠ AVERTISSEMENT:** Peut Causer le Cancer  
 et des Dommages au Système Reproducteur.  
**⚠ ADVERTENCIA:** Cáncer y Daño Reproductivo.  
[www.p65warnings.ca.gov](http://www.p65warnings.ca.gov)

PH 201714

# CFA SERIES™ PUMP REPLACEMENT PARTS



Item	Part No.	Description	US List	Can. List
<b>CFA SERIES</b>				
2	U17-568	Bonding Lug	11.98	14.40
3	U30-692SS	Screw, #10-32 x 1/2	2.27	2.73
4A	C110-17	Stub Shaft Assembly	CALL	CALL
4B	354256	SCR 1/4-20 x 3/8 in. SS Set	2.98	3.58
5	C2-57D	Adapter	456.06	548.00
7	U30-22SS	Stud, 3/8 x 1-1/4 in.	8.35	10.03
8	C20-72	Gasket	4.81	5.78
9	U109-136SS	Shaft Seal Package <sup>1</sup>	33.01	39.66
10	C5-164D	Impeller - MODEL # CFAD-75DL - 3/4 HP	CALL	CALL
10	C5-166D	Impeller - MODEL # CFAE-79DL - 1 HP	215.92	259.45
10	C5-183D	Impeller - MODEL # CFAF-80DL - 1-1/2 HP	228.69	274.79
10	C5-181D	Impeller - MODEL # CFAEG-81DL - 2 HP	229.43	275.68
10	C5-182D	Impeller - MODEL # CFAAEG-82DL - 2-1/2 HP	214.34	257.55
11	C1-185DB	Volute and Trap Body	CALL	CALL

Item	Part No.	Description	US List	Can. List
12	C108-33PZ	Trap Basket	CALL	CALL
13	U9-161	Cord Ring	10.88	13.07
14	C3-140DC	Trap Cover	CALL	CALL
15	C154-18D	Trap Handle	38.35	46.08
16	U78-57DT	Pipe Plug, 1/4 in. NPT	CALL	CALL
17	U30-72SS	Capscrew 3/8-16 x 3/4 in.	4.68	5.62

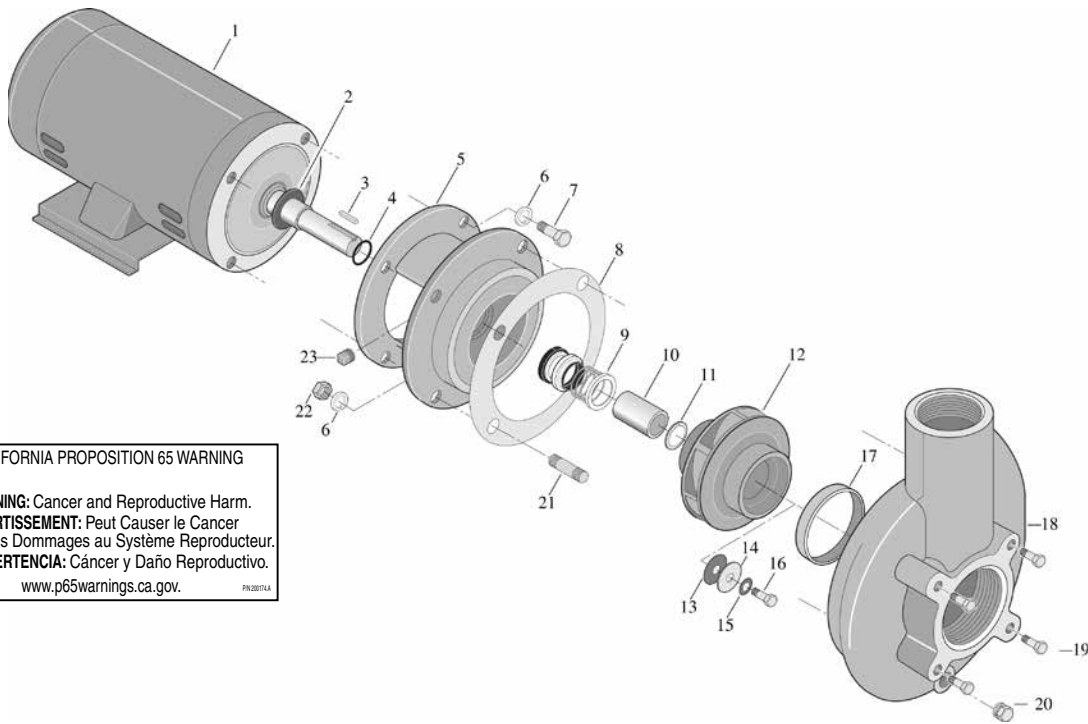
CALIFORNIA PROPOSITION 65 WARNING

⚠️ **WARNING:** Cancer and Reproductive Harm.  
 ⚠️ **AVERTISSEMENT:** Peut Causer le Cancer et des Dommages au Système Reproducteur.  
 ⚠️ **ADVERTENCIA:** Cáncer y Daño Reproductivo.

[www.p65warnings.ca.gov](http://www.p65warnings.ca.gov)
PH 201714

# C/CC SERIES™ CENTRIFUGAL PUMP

## 3 HP MODEL REPLACEMENT PARTS



CALIFORNIA PROPOSITION 65 WARNING

⚠ **WARNING:** Cancer and Reproductive Harm.  
 ⚠ **AVERTISSEMENT:** Peut Causer le Cancer et des Dommages au Système Reproducteur.  
 ⚠ **ADVERTENCIA:** Cáncer y Daño Reproductivo.  
[www.p65warnings.ca.gov](http://www.p65warnings.ca.gov) PA120714

Item	Part No.	Description	US List	Can. List
<b>CENTRIFUGAL PUMP - C/CC SERIES - 3 HP</b>				
1	C218-177	Motor 230V/60H/1 Ph.	CALL	CALL
1	C218-178	Motor 200V/60H/3 Ph.	CALL	CALL
1	C218-179	Motor 230/460V/60H/3 Ph.	CALL	CALL
1	C218-191	Motor 200V/60H/1 Ph.	CALL	CALL
3	U65-42A	Key, Impeller	13.83	16.62
4	U9-265	O-Ring	2.81	3.38
5	C2-81	Adapter (Models: CCMH-136, CCM2H-136, CCM2H-136S, CCMH3-136S, CCM2H3-136, CCM2H3--136S, CCHH-137S, CCHH3-137S, CCH2H-137S, CCH2H3-137, CCH2H3-137S)	256.01	307.62
5	C2-81D	Adapter (Models: CMH-136, CMH3-136, CM2H-136, CM2H3-136, CHH-137, CHH3-137, CH2H3-137)	932.16	1120.08
6	U43-12ZP	Lockwasher, 3/8 in.	1.59	1.91
7	U30-73ZP	Capscrew, 3/8-16 x 7/8 in.	CALL	CALL
8	C20-77	Gasket	CALL	CALL
9	U109-433SS	Shaft Seal (Replaces U109-220, effective 8/00)	147.15	176.82
10	C23-58	Shaft Sleeve	139.24	167.31
11	C20-101	Gasket, Sleeve	3.57	4.29
12	C105-224DG	Impeller (Silicon Brass) (Models: CCMH-136, CCM2H-136, CCM2H-136S, CCMH3-136S, CCM2H3-136, CCM2H3-136S, CMH-136, CMH3-136, CM2H-136, CM2H3-136)	847.30	1018.12
12	C105-224DF	Impeller (Silicon Brass) (Models: CCHH-137S, CCHH3-137S, CCH2H-137S, CCH2H3-137, CCH2H3-137S, CHH-137, CHH3-137, CH2H3-137)	813.27	977.23

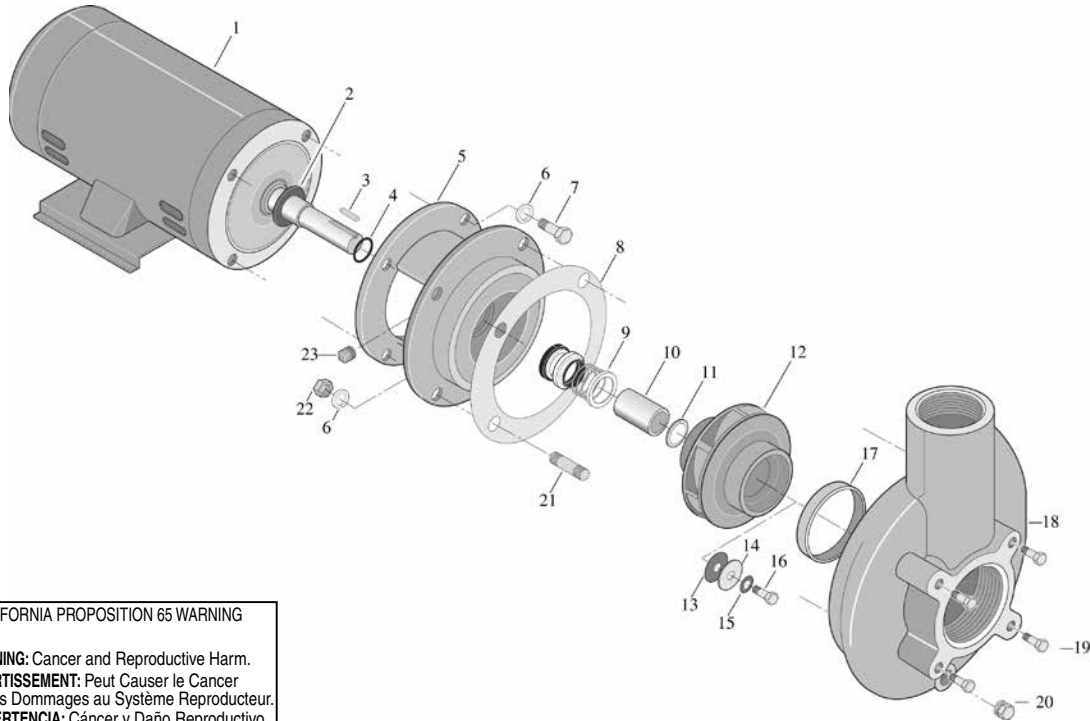
Item	Part No.	Description	US List	Can. List
13	C20-100	Gasket, Impeller	3.57	4.29
14	C43-45SS	Washer, Impeller	6.89	8.28
15	C43-46	Washer, Stat-O-Seal	6.14	7.38
16	U30-72SS	Screw, Impeller 3/8-16 x 3/4 in.	4.68	5.62
17	C23-40	Wear Ring Only	113.81	136.75
18	C101-167	Volute Assembly (Incl. 17 Only) (Models CCMH-136, CCM2H-136, CCM2H-136S, CCMH3-136S, CCM2H3-136, CCM2H3-136S, CCHH-137S, CCHH3-137S, CCH2H-137S, CCH2H3-137, CCH2H3-137S)	517.38	621.68
18	C101-167D	Volute Assembly (Incl. 17 Only) (Models CMH-136, CMH3-136, CM2H-136, CM2H3-136, CHH-137, CHH3-137, CH2H3-137)	1588.99	1909.33
20	U78-941ZPV	Pipe Plug, 1/4 in. NPT, Hex Head	1.79	2.15
21	U30-22SS	Stud, 3/8-16 x 1/16 in.	8.35	10.03
22	U36-38ZP	Nut, Hex 3/8 x 16 - (Models CCMH-136, CCM2H-136, CCM2H-136S, CCMH3-136S, CCM2H3-136, CCM2H3--136S, CCHH-137S, CCHH3-137S, CCH2H-137S, CCH2H3-137, CCH2H3-137S)	CALL	CALL
23	U78-57SSS	Pipe Plug, 1/4 in. NPT	9.60	11.54

Note: Model numbers with a "3" in them indicate a 3-Phase motor. Model numbers with a "2" in them indicate a 200V motor.

Note: C Series with different hydraulic numbers (CCMH-93) are older models that use different parts. Consult factory for older models.

# C/CC SERIES™ CENTRIFUGAL PUMP

## 5 HP MODEL REPLACEMENT PARTS



CALIFORNIA PROPOSITION 65 WARNING  
 ⚠️ **WARNING:** Cancer and Reproductive Harm.  
 ⚠️ **AVERTISSEMENT:** Peut Causer le Cancer et des Dommages au Système Reproducteur.  
 ⚠️ **ADVERTENCIA:** Cáncer y Daño Reproductivo.  
[www.p65warnings.ca.gov](http://www.p65warnings.ca.gov) PR30714

Item	Part No.	Description	US List	Can. List
<b>CENTRIFUGAL PUMP - C/CC SERIES 5 HP</b>				
1	C218-180	Motor 230V/60H/1 Ph.	CALL	CALL
1	C218-182	Motor 230/460V/60H/3 Ph.	CALL	CALL
1	C218-181	Motor 200V/60H/3 Ph.	CALL	CALL
3	U65-42A	Key, Impeller	13.83	16.62
4	U9-265	O-Ring	2.81	3.38
5	C2-81	Adapter (Models: CCHJ-138, CCHJ138S, CCHJ3-138S, CCH2J3-138S)	256.01	307.62
5	C2-81D	Adapter (Models: CHJ-138, CH2J3-138, CH2J3-138)	932.16	1120.08
6	U43-12ZP	Lockwasher, 3/8 in.	1.59	1.91
7	U30-73ZP	Capscrew, 3/8-16 x 7/8 in.	CALL	CALL
8	C20-77	Gasket	CALL	CALL
9	U109-433SS	Shaft Seal	147.15	176.82
10	C23-58	Shaft Sleeve	139.24	167.31
11	C20-101	Gasket, Sleeve	3.57	4.29
12	C105-224DE	Impeller (Silicon Brass)	832.97	1000.90
13	C20-100	Gasket, Impeller	3.57	4.29
14	C43-45SS	Washer, Impeller	6.89	8.28
15	C43-46	Washer, Stat-O-Seal	6.14	7.38
16	U30-72SS	Screw, Impeller 3/8-16 x 3/4 in.	4.68	5.62

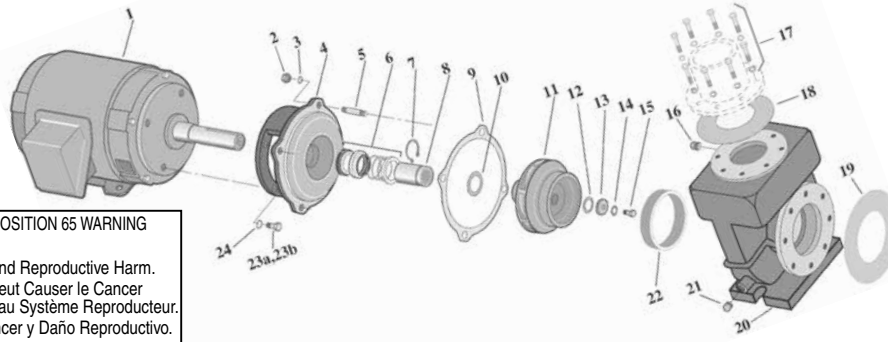
Item	Part No.	Description	US List	Can. List
17	C23-40	Wear Ring Only	113.81	136.75
18	C101-167	Volute Assembly (Incl. 17 Only) (Models: CCHJ-138, CCHJ138S, CCHJ3-138S, CCH2J3-138S)	517.38	621.68
18	C101-167D	Volute Assembly (Incl. 17 Only) (Models: CHJ-138, CH2J3-138, CH2J3-138)	1588.99	1909.33
20	U78-941ZPV	Pipe Plug, 1/4 in. NPT, Hex Head	1.79	2.15
21	U30-22SS	Stud, 3/8 - 16 x 1-1/4 in.	8.35	10.03
22	U36-38ZP	Nut, Hex 3/8 x 16 in. (Models: CCHJ-138, CCHJ138S, CCHJ3-138S, CCH2J3-138S)	CALL	CALL
23	U78-57SSS	Pipe Plug, 1/4 in. NPT	9.60	11.54

Note: Model numbers with a "3" in them indicate a 3-Phase motor. Model numbers with a "2" in them indicate a 200V motor.

Note: C Series with different hydraulic numbers (CCMH-93) are older models that use different parts. Consult factory for older models.

# CSPH/CCSPH SERIES™ PUMP

## REPLACEMENT PARTS



**CALIFORNIA PROPOSITION 65 WARNING**  
**⚠ WARNING:** Cancer and Reproductive Harm.  
**⚠ AVERTISSEMENT:** Peut Causer le Cancer et des Dommages au Système Reproducteur.  
**⚠ ADVERTENCIA:** Cáncer y Daño Reproductivo.  
[www.p65warnings.ca.gov](http://www.p65warnings.ca.gov)  
PK320754

Item	Part No.	Description	US List	Can. List
<b>230 VOLT/1 PHASE OR 230/460 VOLT/3 PHASE</b>				
1	S22351	Motor 230V/1 Ph. - 7-1/2 HP (Models: CSPHK-1421, CCSPHK-1421, CSPHK3-1422, CCSPHK3-1422)	CALL	CALL
1	62500-0101	Motor 230V/1 Ph. - 10 HP (Models: CSPHL-143, CCSPHL-143M, CSPHL3-1431, CCSPHL3-1431)	CALL	CALL
1	S22353	Motor 230V/3 Ph. - 7-1/2 HP (Models: CSPHK-1421, CCSPHK-1421, CSPHK3-1422, CCSPHK3-1422)	CALL	CALL
1	S22356	Motor 230V/3 Ph. - 10 HP (Models: CSPHL-143, CCSPHL-143M, CSPHL3-1431, CCSPHL3-1431)	CALL	CALL
1	S22357	Motor 230V/3 Ph. - 15 HP (Models: CSPHM3-1441, CCSPHM3-1441)	CALL	CALL
1	S28574	Motor 230V/3 Ph. - 20 HP (Models: CSPHN3-1451, CCSPHN3-1451)	CALL	CALL
1	16830-0320	Motor 230V/3 Ph. 7-1/2 HP (Models: CSPH2K3-142, CCSPH2K3-142)	CALL	CALL
1	16831-0320	Motor 200V/3 Ph. - 10 HP (Models: CSPH2L3-143, CCSPH2L3-143)	CALL	CALL
1	16832-0320	Motor 200V/3 Ph. - 15 HP (Models: CSPH2M3-144, CCSPH2M3-144)	CALL	CALL
1	16833-0320	Motor 200V/3 Ph. - 20 HP (Models: CSPH2N3-145, CCSPH2N3-145)	CALL	CALL
2	S23488	Nut, 1/2 in.	4.83	5.80
3	U43-13SS	Lockwasher, 1/2 in.	CALL	CALL
3	U43-12SS	Lockwasher, 3/8 in. <sup>2</sup>	2.92	3.51
4	L05329	Bracket - 7-1/2 HP (3 Ph. Models)	331.91	398.82
4	L05328	Bracket - 10 HP (CSPH, CSPH2 Models) - 15 HP (CSPH, CSPH2 Models) - 7-1/2 (CSPH, CSPH2 Models)	341.77	410.67
4	L05779	Bracket - 20 HP (CSPH, CSPH2 Models)	612.86	736.41
4	16830-2201	Bracket - 7-1/2 HP (3 Ph. Models)	1466.40	1762.03
4	16830-2203	Bracket - 10 HP (CCSPH, CCSPH2 Models) - 15 HP (CCSPH, CCSPH2 Models) - 7-1/2 HP (CCSPH, CCSPH2 Models)	1575.25	1892.82
4	16830-2202	Bracket - 20 HP (CCSPH, CCSPH2 Models)	1148.66	1380.23
5	30747-0152	Stud, 1/2-13 x 1-1/2 in.	32.35	38.87
6	S32014	Mechanical Shaft Seal	163.69	196.69
6	S32015	Mechanical Shaft Seal - 20 HP	352.94	424.09
7	S11207	Retaining Ring	21.42	25.74

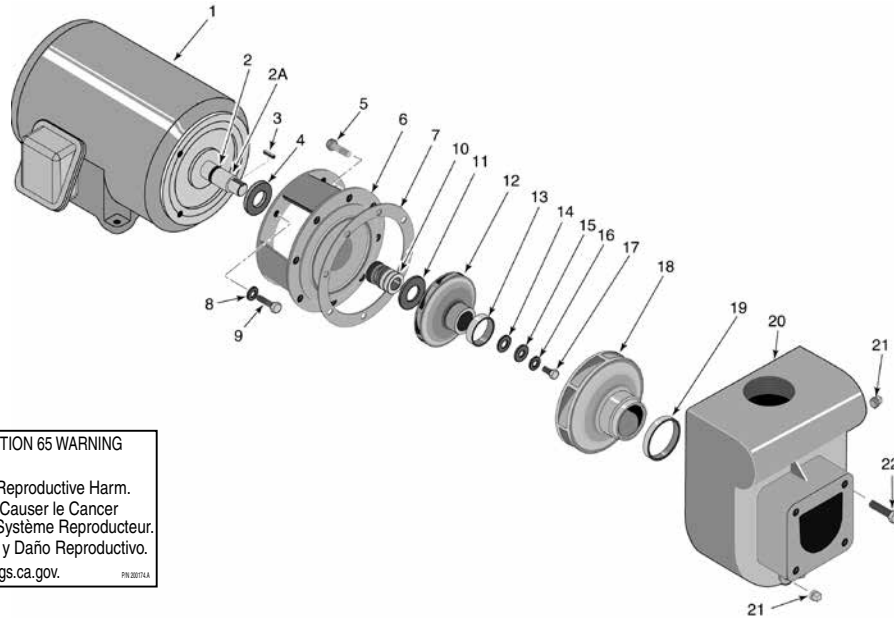
Item	Part No.	Description	US List	Can. List
7	S16767	Retaining Ring - 20 HP (Models: CSPHN3-1451, CCSPHN3-1451)	47.60	57.20
8	37447-0001L	Shaft Sleeve	CALL	CALL
8	37447-0002L	Shaft Sleeve - 20 HP	CALL	CALL
9	S04757	Gasket (Volute to Bracket)	16.67	20.03
10	33455-8044	Gasket (Impeller to Shaft Sleeve)	8.02	9.64
10	33455-8046	Gasket (Impeller to Shaft Sleeve) - 20 HP	8.02	9.64
11	16830-0209	Impeller - 7-1/2 HP	1618.52	1944.81
11	16830-0210	Impeller- 10 HP	1459.30	1753.49
11	16830-0211	Impeller - 15 HP	1667.60	2003.79
11	16830-0212	Impeller - 20 HP	2002.74	2406.49
12	33455-8043	Gasket (Impeller to Washer)	8.02	9.64
12	33455-8045	Gasket (Impeller to Washer) - 20 HP	8.02	9.64
13	38917-0203	Impeller Washer	73.72	88.58
13	38917-0204	Impeller Washer - 20 HP (Models: CSPHN3-1451, CCSPHN3-1451)	88.46	106.29
14	C43-46SS	Stat-O-Seal Washer	18.60	22.35
14	C43-46SSA	Stat-O-Seal Washer - 20 HP (Models: CSPHN3-1451, CCSPHN3-1451)	23.67	28.44
15	S23566	Capscrew, 3/8-16 x 1 in. <sup>1</sup>	CALL	CALL
15	S23619	Capscrew, 1/2-13 x 1 in. <sup>2</sup>	7.70	9.25
16	U78-57DT	Pipe Plug 1/4 in. NPT	CALL	CALL
17	16830-0400	Hardware Kit	84.13	101.09
18	33450-8042	Gasket (Volute Discharge)	19.63	23.59
19	33450-8041	Gasket (Volute Suction)	27.57	33.13
20	16830-0100	Volute (CSPH, CSPH2)	3941.20	4735.75
20	16830-2102	Volute (CCSPH) - 7-1/2 HP, 10 HP	7167.00	8611.87
20	16830-2103	Volute (CCSPH) - 15 HP, 20 HP <sup>1</sup>	7215.28	8669.88
20	16830-0100	Volute (CSPH2, CSPH2)	3941.20	4735.75
20	16830-2102	Volute (CCSPH2) - 7-1/2 HP, 10 HP	7167.00	8611.87
21	U78-59D	Drain Plug, 1/2 in. NPT	10.81	12.99
22	16830-0120	Wear Ring	124.49	149.59
23A	S23619	Capscrew, 1/2-13 x 1 in. <sup>1</sup>	7.70	9.25
23B	S23566	Capscrew, 3/8-16 x 1 in. <sup>2</sup>	CALL	CALL
24	U43-13SS	Lockwasher, 1/2 in.	CALL	CALL

<sup>1</sup> 7-1/2 HP; 1 Phase only.

<sup>2</sup> 3 Phase only.



# D SERIES™ PUMP REPLACEMENT PARTS



CALIFORNIA PROPOSITION 65 WARNING  
 ⚠️ **WARNING:** Cancer and Reproductive Harm.  
 ⚠️ **AVERTISSEMENT:** Peut Causer le Cancer et des Dommages au Système Reproducteur.  
 ⚠️ **ADVERTENCIA:** Cáncer y Daño Reproductivo.  
[www.p65warnings.ca.gov](http://www.p65warnings.ca.gov) P9820134

Item	Part No.	Description	US List	Can. List
<b>SELF PRIMING CENTRIFUGAL PUMP - D SERIES</b>				
1	C218-177	Motor 230V/60H/1 Ph. DMH Medium Head: 3 HP, High Head: 3 HP	CALL	CALL
1	C218-180	Motor 230V/60H/1 Ph. DMJ Medium Head: 5 HP, High Head: 5 HP	CALL	CALL
1	C218-179	Motor 230/460V/60H/3 Ph. DMH Medium Head: 3 HP, High Head: 3 HP	CALL	CALL
1	C218-182	Motor 230/460V/60H/3 Ph. DMJ Medium Head: 5 HP, High Head: 5 HP	CALL	CALL
1	C218-191	Motor 200V/60H/1 Ph. DMH Medium Head: 3 HP, High Head: 3 HP	CALL	CALL
1	C218-192	Motor 200V/60H/1 Ph. DMJ Medium Head: 5 HP, High Head: 5 HP	CALL	CALL
1	C218-178	Motor 200V/60H/3 Ph. DMH Medium Head: 3 HP, High Head: 3 HP	CALL	CALL
1	C218-181	Motor 200V/60H/3 Ph. DMJ Medium Head: 5 HP, High Head: 5 HP	CALL	CALL
2	U9-265	O-Ring	2.81	3.38
2A	C23-58	Sleeve	139.24	167.31
3	U65-42A	Key, Square 3/16 x 3/16 x 7/8 in.	13.83	16.62
4	N/A		CALL	CALL
5	071681	Screw 3/8 x 16 x 7/8 in. HH	1.60	1.92
6	C2-66	Motor Adapter	332.75	399.83
7	C20-46	Gasket, Adapter	9.20	11.05
8	U43-12ZP	Lockwasher, 3/8 in. <sup>1</sup>	1.59	1.91
9	U30-73ZP	Capscrew, 3/8-16 x 7/8 in.	CALL	CALL
10	U109-433SS	Shaft Seal <sup>3</sup>	147.15	176.82
11	C20-101	Gasket, Seal	3.57	4.29
12	C5-246	Impeller <sup>2</sup> - Medium Head: 3 HP	875.43	1051.92
12	C5-247	Impeller <sup>2</sup> - Medium Head: 5 HP	867.24	1042.08

Item	Part No.	Description	US List	Can. List
12	C5-248	Impeller <sup>2</sup> - High Head: 3 HP	861.38	1035.03
12	C5-249	Impeller <sup>2</sup> - High Head: 5 HP	813.27	977.23
13	J23-5	Wear Ring (Only)	32.60	39.17
13	C23-14	Wear Ring (Only) - Medium Head: 5 HP	39.62	47.61
14	C20-100	Gasket	3.57	4.29
15	C43-45SS	Washer, Impeller	6.89	8.28
16	C43-46	Gasket	6.14	7.38
17	U30-72SS	Screw, Impeller 3/8-16 x 3/4 in. <sup>1</sup>	4.68	5.62
18	C101-126	Volute Diffuser w/ Wear Ring Medium Head: 3 HP	199.26	239.43
18	C101-126B	Volute Diffuser w/ Wear Ring Medium Head: 5 HP	207.93	249.85
18	C101-132	Volute Diffuser w/ Wear Ring High Head: 3 HP, High Head: 5 HP	207.93	249.85
19	C21-2	Diffuser Ring	6.38	7.67
20	C76-12	Pump Body High Head: 3 HP, High Head: 5 HP	886.94	1065.75
20	C76-12C	Pump Body - Medium Head: 5 HP	957.77	1150.86
20	C76-12B	Pump Body - High Head: 3 HP	881.30	1058.97
21	U78-941ZPV	Pipe Plug, 1/4 in. NPT <sup>1</sup>	1.79	2.15
22	U30-60ZP	Capscrew 5/16-18 x 3/4 in.	1.39	1.67
<b>NOT SHOWN</b>				
	U212-68T	Draincock, 1/4 in. NPT <sup>*</sup>	6.47	7.77

<sup>1</sup> Purchase locally.

<sup>2</sup> Change effective 6/97.

<sup>3</sup> Replaces U109-220 (effective 8/00).

Note: D Series with different numbers (i.e. DMH-64) use different parts. Consult factory for older models.

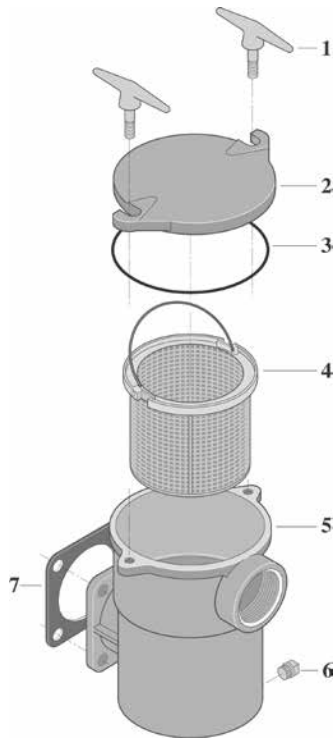


# CAST IRON SUCTION TRAP ASSEMBLY

## REPLACEMENT PARTS



**PACKAGE**  
**No. 51**  
**No. 98**  
**No. 74**



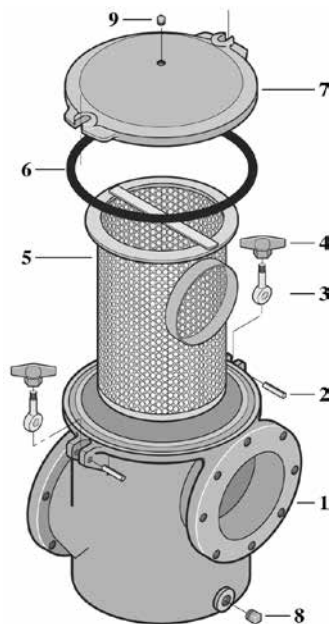
**CALIFORNIA PROPOSITION 65 WARNING**

⚠ **WARNING:** Cancer and Reproductive Harm.  
 ⚠ **AVERTISSEMENT:** Peut Causer le Cancer et des Dommages au Système Reproducteur.  
 ⚠ **ADVERTENCIA:** Cáncer y Daño Reproductivo.  
[www.p65warnings.ca.gov](http://www.p65warnings.ca.gov)

Item	Part No.	Description	US List	Can. List
<b>PKG. 51 6-IN. TRAP REPLACEMENT PARTS</b>				
1	C154-18D	Handle Assembly <sup>1</sup>	38.35	46.08
2	C3-30	Cover	87.46	105.09
3	U9-46	Cord Ring	13.60	16.34
4	C108-11P	Strainer Basket	36.42	43.76
5	C53-5B	Trap Body	287.35	345.28
6	U78-57DT	Pipe Plug, 1/4 in. NPT	CALL	CALL
7	C20-19	Gasket	3.23	3.88
<b>PKG. 98 8-IN. TRAP REPLACEMENT PARTS</b>				
1	C154-18D	Handle Assembly <sup>1</sup>	38.35	46.08
2	C3-105	Cover	214.39	257.61
3	U9-171	Cord Ring	18.23	21.91
4	16401-0030	Strainer Basket	455.61	547.46
5	C53-21	Trap Body	819.75	985.01
6	U78-57DT	Pipe Plug, 1/4 in. NPT	CALL	CALL
7	C20-19	Gasket	3.23	3.88
<b>PKG. 74 11-IN. TRAP REPLACEMENT PARTS</b>				
1	C154-18D	Handle Assembly <sup>1</sup>	38.35	46.08
2	C3-76	Cover	CALL	CALL
3	U9-105	Cord Ring	CALL	CALL
4	C108-25SS	Strainer Basket	CALL	CALL
5	-	Trap Body		
6	U78-57DT	Pipe Plug, 1/4 in. NPT	CALL	CALL
7	C20-19	Gasket	3.23	3.88

<sup>1</sup> 6 in. - Pkg. 51 has 2 each; 8 in. - Pkg. 98 has 4 each; 11 in. - Pkg. 74 has 4 each.

**PACKAGE**  
**No. 184**  
**No. 184C**  
**No. 184E**  
**No. 184CE**



Item	Part No.	Description	US List	Can. List
<b>STANDARD FLANGE REPLACEMENT PARTS</b>				
1	16401-0010	Strainer Body (Pkg. 184, 184E)	3759.28	4517.15
1	16401-2015	Strainer Body (Pkg. 184C, 184CE) <sup>1</sup>	CALL	CALL
2	35857-0031	Spring Pin	19.63	23.59
3	30767-0011	Toggle Bolt	324.05	389.38
4	35404-0319	Wing Nut	81.82	98.31
5	16401-0102	Strainer Basket	1489.24	1789.47
6	35505-0421	O-Ring	101.39	121.83
7	16401-0210	Strainer Cover (Pkg. 184, 184E)	808.48	971.47
7	16401-2215	Strainer Cover (Pkg. 184C, 184CE) <sup>1</sup>	1741.01	2092.00
8	U78-59D	Pipe Plug, 1/2 in. Square Head Brass	10.81	12.99
<b>NOT SHOWN</b>				
	33450-8041	Gasket, 6 in. Pipe Flange	27.57	33.13
	16830-0401	Hardware Kit (includes 16 each 3/4 in. lockwashers, 3/4-10 x 2 in. Capscrews)	244.70	294.03
	61002-0012	Tag, Hazardous Suction	CALL	CALL

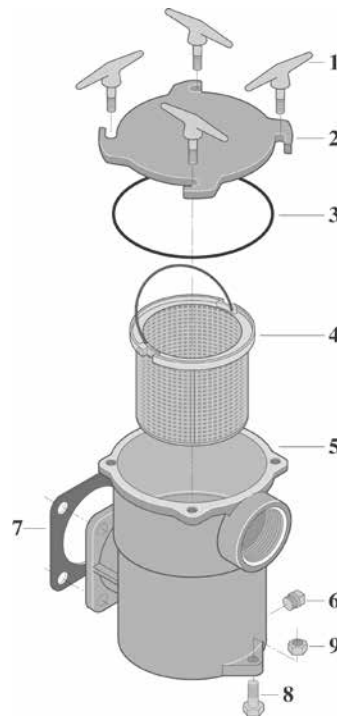
<sup>1</sup> Epoxy coated.

# BRONZE SUCTION TRAP ASSEMBLY

## REPLACEMENT PARTS



PACKAGE  
No. 56  
No. 99



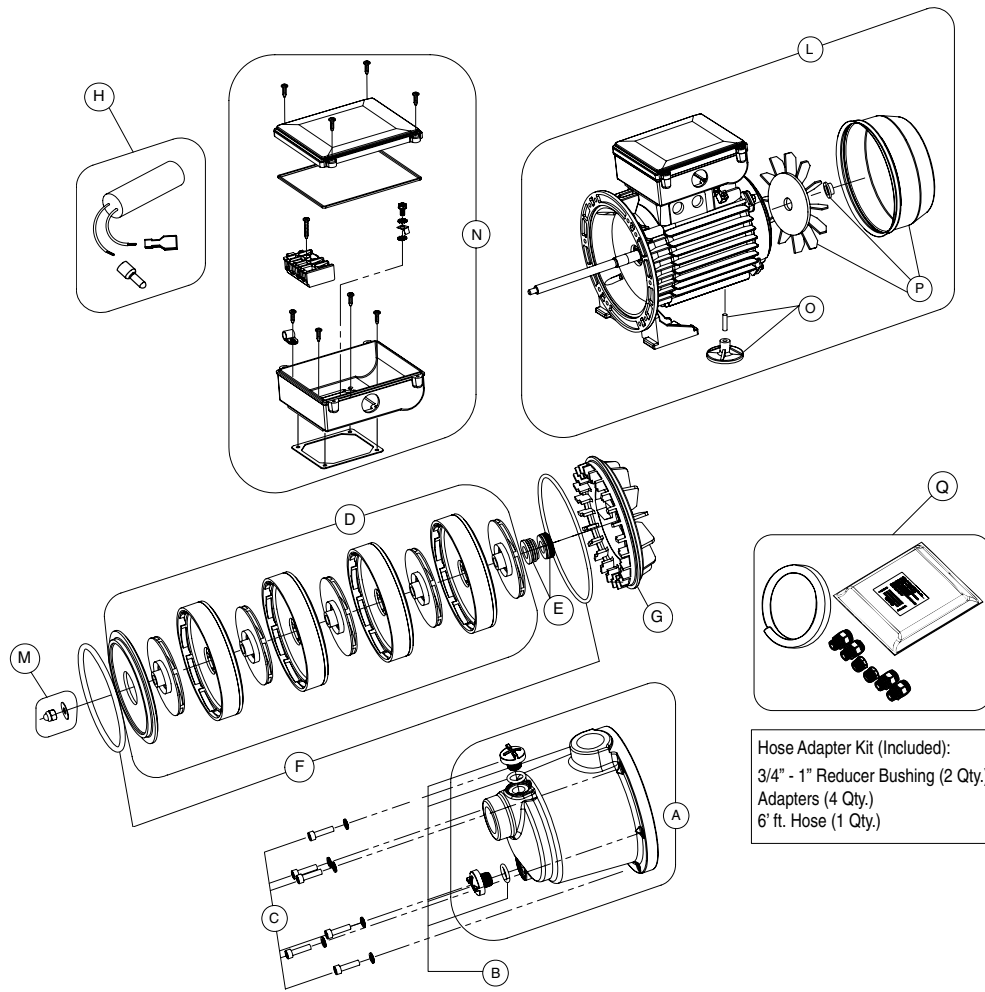
Item	Part No.	Description	US List	Can. List
BRONZE TRAP REPLACEMENT PARTS				
1	C154-18D	Lock Handle Assembly	38.35	46.08
2	C3-78D	Cover (Pkg. 56)	245.88	295.45
2	C3-105D	Cover (Pkg. 99)	680.38	817.54
3	U9-46	O-Ring (Pkg. 56)	13.60	16.34
3	U9-171	O-Ring (Pkg. 99)	18.23	21.91
4	C108-11P	Strainer Basket (Pkg. 56)	36.42	43.76
4	16401-0030	Strainer Basket (Pkg. 99)	455.61	547.46
5	C53-5D	Suction Trap Body (Pkg. 56)	CALL	CALL
5	C53-21D	Suction Trap Body (Pkg. 99)	CALL	CALL
6	U78-57DT	Pipe Plug, 1/4 in. NPT	CALL	CALL
7	C20-19	Gasket, Flange	3.23	3.88
8	U30-77SS	Capscrew, 3/8-16 x 1-3/4 in.	6.09	7.32
9	U36-38ZP	Nut, Hex 3/8-16	CALL	CALL

CALIFORNIA PROPOSITION 65 WARNING

⚠ **WARNING:** Cancer and Reproductive Harm.  
 ⚠ **AVERTISSEMENT:** Peut Causer le Cancer et des Dommages au Système Reproducteur.  
 ⚠ **ADVERTENCIA:** Cáncer y Daño Reproductivo.  
[www.p65warnings.ca.gov](http://www.p65warnings.ca.gov)

# BOOST-RITE® BOOSTER PUMP

## REPLACEMENT PARTS

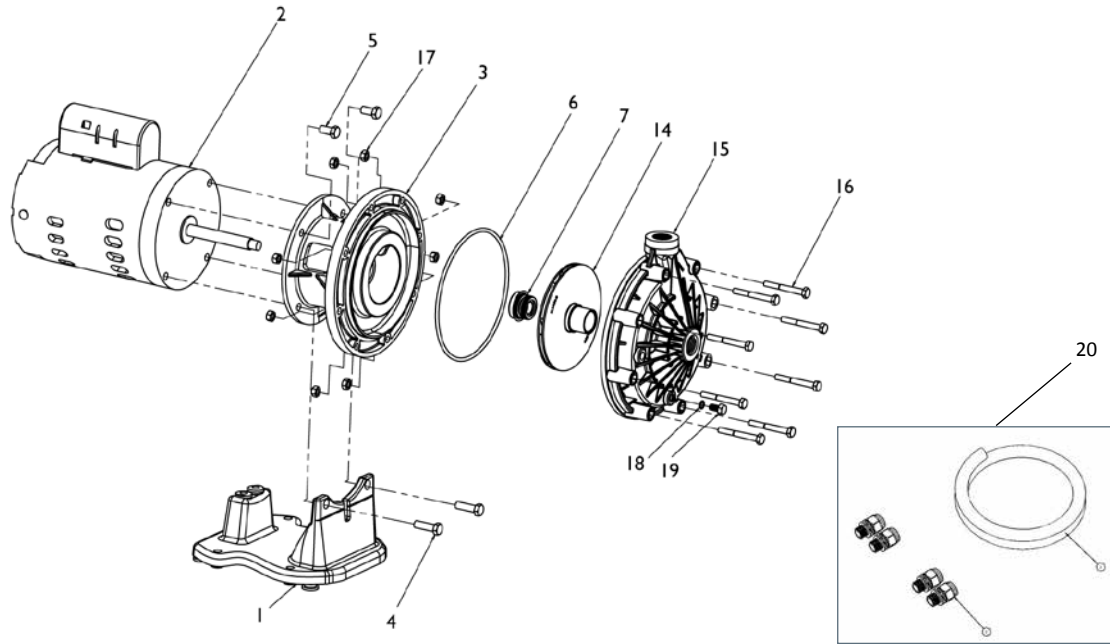


Hose Adapter Kit (Included):  
 3/4" - 1" Reducer Bushing (2 Qty.)  
 Adapters (4 Qty.)  
 6' ft. Hose (1 Qty.)

Item	Part No.	Qty.	Description	US List	Can. List
<b>BOOSTER PUMP</b>					
A	ZBR39320	1	Pump Body Kit w/Drain Plugs	68.21	81.96
B	ZBR12160	2	Drain Plugs with O-Ring Kit - includes (2) drain plugs and (2) O-Rings	22.35	26.86
C	ZBR12170	1	Body Pump Fasteners Kit	18.92	22.73
D	ZBR39330	1	Hydraulic Kit	141.57	170.11
E	ZBR43920	1	Mechanical Seal Kit	33.44	40.18
F	ZBR12200	1	O-Ring Kit	22.06	26.51
G	ZBR12210	1	Seal Plate Kit	33.30	40.01
H	ZBR39340	1	Capacitor Kit	30.17	36.25
L	ZBR39360	1	Complete Motor Assembly	434.68	522.31
M	ZBR12270	1	End Shaft Fasteners Kit	20.86	25.07
N	ZBR39350	1	Capacitor Box Complete Kit	CALL	CALL
O	ZBR26910	1	Base Kit	15.78	18.96
P	ZBR43810	1	Fan Kit	31.23	37.53
Q	353040	1	Hose Kit	70.63	84.87

CALIFORNIA PROPOSITION 65 WARNING  
 ⚠️ **WARNING:** Cancer and Reproductive Harm.  
 ⚠️ **AVERTISSEMENT:** Peut Causer le Cancer et des Dommages au Système Reproducteur.  
 ⚠️ **ADVERTENCIA:** Cáncer y Daño Reproductivo.  
[www.p65warnings.ca.gov](http://www.p65warnings.ca.gov) P/N 201714

# BOOSTER PUMP REPLACEMENT PARTS



Item	Part No.	Qty.	Description	US List	Can. List
<b>BOOSTER PUMP</b>					
1	LA41	1	Pump stand 99, complete with rubber grommets	36.92	44.36
2	LA10NS	1	Motor, 230/115 V, 1 ph, 60 hz, 6.5/13 A	CALL	CALL
3	LA295 *	1	Seal bracket	153.62	184.59
4	LA136	2-PK	Bolt 3/8-16 x 1-1/4 in., 2 req.	CALL	CALL
5	LA135	2-PK	Bolt 3/8-16 x 3/4 in., 2 req.	CALL	CALL
6	LA415 *	1	O-ring for seal bracket	4.18	5.02
7	071734S	1	Seal (PS1000) - Set includes both cap and bellows	33.41	40.15
14	LA05L *	1	Impeller (new style)	CALL	CALL
14	LA02L	1	Impeller (old style)	44.72	53.74
15	LA39534 *	1	Volute	CALL	CALL
16	LA115	2-PK	Bolt	3.88	4.66
17	LA125	2-PK	Nut	3.73	4.48
18	LA375 *	1	O-ring for drain plug	1.18	1.42
19	EB20 *	2-PK	Drain plug	3.62	4.35
20	353020	1	Hose kit: 4 plastic fittings and 1-6 ft. white hose. (built after 2005)	53.4	64.17
<b>NOT SHOWN</b>					
	LD10	2-PK	Hose washer (built prior to 2005), steel with black hose	1.67	2.01
	370239	1	Adapter Kit - 4 hose adapters in a bag; no hose	36.20	43.50

\* Recommended for stock.

**Note: Pumps and replacement motors that are single speed and one (1) Total HP or greater cannot be sold, offered for sale, or installed in a residential pool for filtration use in California, Title 20 CCR sections 1601-1609.**

CALIFORNIA PROPOSITION 65 WARNING

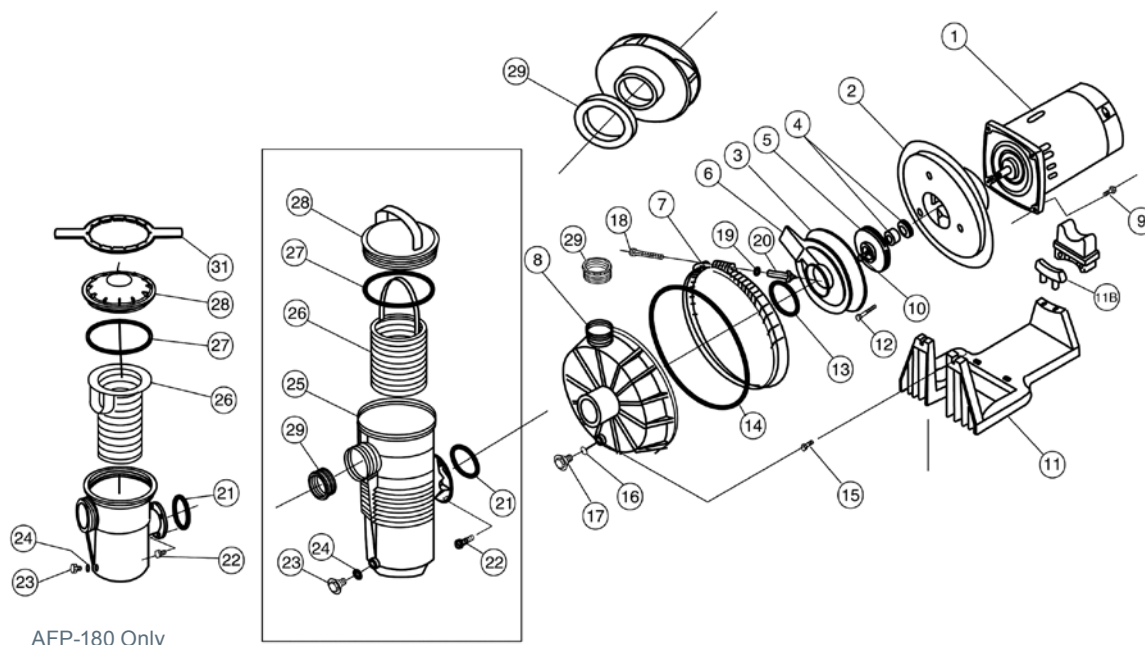
⚠ **WARNING:** Cancer and Reproductive Harm.  
 ⚠ **AVERTISSEMENT:** Peut Causer le Cancer et des Dommages au Système Reproducteur.  
 ⚠ **ADVERTENCIA:** Cáncer y Daño Reproductivo.

[www.p65warnings.ca.gov](http://www.p65warnings.ca.gov)

PR2017A

# WATERFALL SPECIALTY PUMP

## REPLACEMENT PARTS



AFP-180 Only

Item	Part No.	Description	US List	Can. List
<b>WATERFALL PUMPS</b>				
1	355218S	Motor, AF-75 & 120, AFP-75 & 120, 37 lbs.	CALL	CALL
1	355222S	Motor, AF-180, AFP-150 & 180, 35 lbs.	CALL	CALL
2	355004	Plate, seal	111.99	134.57
3	355317	Plate, mounting AF-75, AFP-75	16.43	19.74
3	355495	Plate, mounting AF-120 & 180, AFP-120, 150 & 180	15.17	18.23
4	354545S	Seal, 5/8 in. mechanical, PS 200	31.55	37.91
5	355544	Impeller AF-75, AFP-75	81.41	97.82
5	355068	Impeller AF-120, AFP-120	61.18	73.51
5	355221	Impeller AF-180, AFP-150 & 180	59.46	71.45
6	355545	Diffuser AF-75, AFP-75	60.82	73.08
6	355069	Diffuser AF-120, AFP-120	41.21	49.52
6	355140	Diffuser AF-180, AFP-150 & 180	55.56	66.76
7	355320	Band, clamp assembly complete	95.51	114.76
8	355302	Housing, front	226.19	271.79
9	U30-74SS	Screw, 3/8 in.-16 SS hex hd., 4 req.	4.83	5.80
10	355389	Screw, impeller locking	1.69	2.03
11	355305	Base, pump <sup>1</sup>	54.52	65.51
11B	355385	Adapter, 5-5/8 in. dia. motor <sup>2</sup>	13.92	16.73
12	355334Z	Screw, No. 8-32 x 1 in. AF-75 & 120, AFP-75 & 120, 3 req.	CALL	CALL
12	355141	Screw, No. 8-32 x 1-1/2 in. AF-180, AFP-150 & 180	7.72	9.28
13	355331Z	O-ring, diffuser	CALL	CALL
14	355329Z	O-ring, front housing	CALL	CALL
15	355335	Screw, 5/16, 18 x 1/2 in. SS hex wsh. hd., (AF models only)	1.69	2.03
16	192115Z	O-ring, drain plug	CALL	CALL
17	154699	Plug, 1/2 in. drain	CALL	CALL
20	175025	Knob (fits clamp w/ captured T-bolt only)	38.77	46.59
21	355330	O-ring, strainer pot flange	1.95	2.34

Item	Part No.	Description	US List	Can. List
22	354265	Screw, 5/16 in., 18 hex wsh. hd., 4 req.	2.36	2.84
23	357161Z	Plug, 1/4 in. drain	CALL	CALL
24	192115Z	O-ring, drain plug	CALL	CALL
25	355300	Strainer pot AFP-75, AFP-120 & 150	161.16	193.65
26	355318Z	Basket, plastic strainer AFP-75 & 120	CALL	CALL
26	355441	Basket, SS strainer AFP-150	208.34	250.34
26	355901	Basket, SS strainer AFP-180	451.63	542.68
27	350013Z	O-ring, lid AFP-75, AFP-120 & 150	CALL	CALL
27	152509Z	Seal, lid AFP-180	CALL	CALL
28	355301	Lid, strainer pot AFP-75, AFP-120 & 150	70.95	85.25
28	355902	Lid, strainer pot AFP-180	82.31	98.90
29	355142	Bushing, impeller nose AF-180, AFP-150 & 180	75.91	91.21
31	154527	Wrench, 8-1/2 in., strainer pot AFP-180	32.30	38.81
<b>NOT SHOWN</b>				
	355914	Lid strainer pot AFP-75, AFP-120 & 150 Chemical resistant black lid	69.23	83.19

<sup>1</sup> Pump base (item 11) includes dual radius motor support.

<sup>2</sup> Item 11A, motor support is a replacement part that fits only older style pump bases with rectangular opening.

**Note: Pumps and replacement motors that are single speed and one (1) Total HP or greater cannot be sold, offered for sale, or installed in a residential pool for filtration use in California, Title 20 CCR sections 1601-1609.**

CALIFORNIA PROPOSITION 65 WARNING

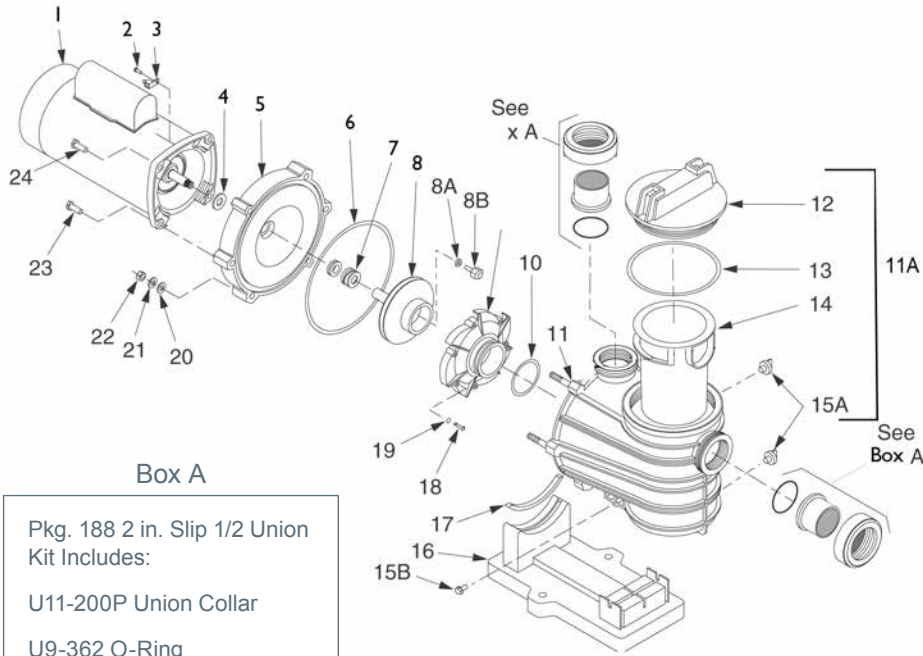
⚠ **WARNING:** Cancer and Reproductive Harm.  
 ⚠ **AVERTISSEMENT:** Peut Causer le Cancer et des Dommages au Système Reproducteur.  
 ⚠ **ADVERTENCIA:** Cáncer y Daño Reproductivo.  
[www.p65warnings.ca.gov](http://www.p65warnings.ca.gov)

Product on pages 190–191.

Replacement baskets on page 148.

# DYNA-WAVE® SERIES PUMP

## REPLACEMENT PARTS



Refer to Manual  
 #12 - 17307-0111S  
 #13 - 35505-1440  
 #11 - C76-71P  
 Alternate parts used  
 after 4-2009

**Box A**

Pkg. 188 2 in. Slip 1/2 Union Kit Includes:

- U11-200P Union Collar
- U9-362 O-Ring
- U11-196P 2 in. Slip Adapter

Item	Part No.	Description	US List	Can. List
<b>DYNA-WAVE REPLACEMENT PARTS</b>				
1	62003-2088	Motor, 115/230V 1750 RPM	CALL	CALL
2	U30-692SS	Screw #10-32 x 1/2 in.	2.27	2.73
3	U17-568	Bonding Lug	11.98	14.40
4	C69-2	Slinger	7.70	9.25
5	C3-184P	Seal Plate	129.30	155.37
6	U9-373Z	Seal Plate Cord Ring	CALL	CALL
7	17351-0101S	Shaft Seal	28.74	34.53
8	C105-236PDA	Impeller	52.20	62.72
9	C1-270P	Diffuser	32.35	38.87
10	U9-374Z	Diffuser O-Ring	CALL	CALL
10	357098Z	Diffuser O-Ring (Blue Coating)	6.34	7.62
11	C76-58P	Tank and Trap Body (Only)	269.35	323.65
11A	C176-71P	Tank and Trap Assy (Includes #11, 12, 13, 14, 15A)	382.02	459.04
12	C3-185P	Trap Cover	67.71	81.36
13	U9-375	Trap Cover O-Ring	17.82	21.41

14	C8-58PZ	Trap Basket	CALL	CALL
15A	U178-920PZ	Drain Plug	CALL	CALL
15B	U30-919SS	Mounting Screw 5/16-14 x 5/8 in.	4.81	5.78
16	C4-77P	Base	54.66	65.68
17	C35-45	Motor Pad	4.99	6.00
18	U30-542SS	Screw #8-32 x 7/8 in. Rd. Hd.	2.41	2.90
19	U43-21SS	Lock Washer #8 Ext. Tooth	1.87	2.25
20	U43-62SS	Flat Washer 3/8 in.	1.87	2.25
21	U43-12SS	Lock Washer 3/8 in.	2.92	3.51
22	U36-38SS	Nut 3/8-16 Hex	3.05	3.66
23	U30-74SS	Cap Screws 3/8-16 x 1 in. Hex.	4.83	5.80

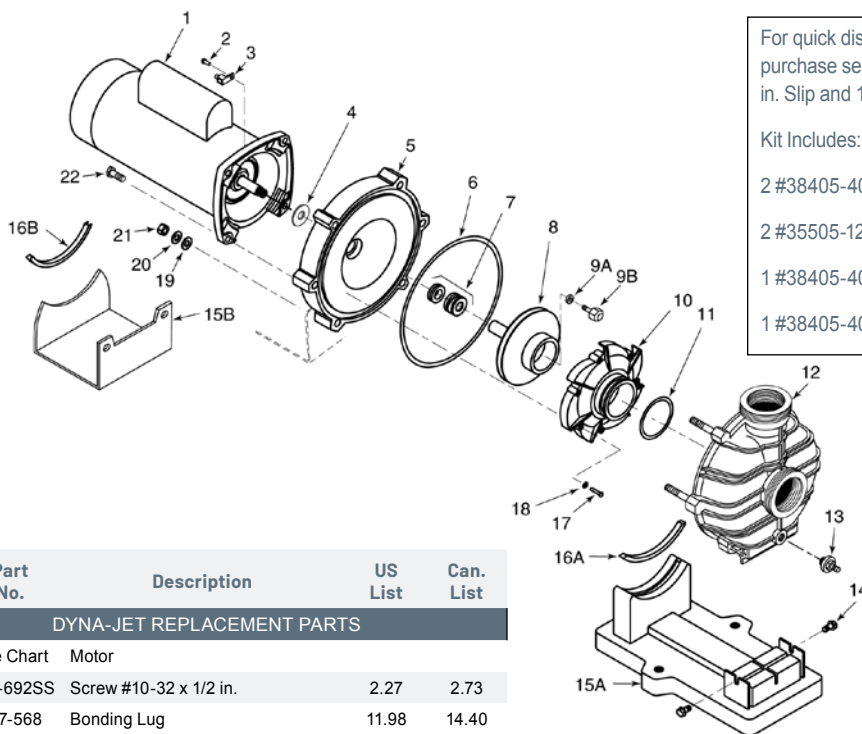
**Note: Pumps and replacement motors that are single speed and one (1) Total HP or greater cannot be sold, offered for sale, or installed in a residential pool for filtration use in California, Title 20 CCR sections 1601-1609.**

CALIFORNIA PROPOSITION 65 WARNING

⚠️ **WARNING:** Cancer and Reproductive Harm.  
 ⚠️ **AVERTISSEMENT:** Peut Causer le Cancer et des Dommages au Système Reproducteur.  
 ⚠️ **ADVERTENCIA:** Cáncer y Daño Reproductivo.  
[www.p65warnings.ca.gov](http://www.p65warnings.ca.gov)

# DYNA-JET™ SERIES PUMP

## TPE SERIES REPLACEMENT PARTS



For quick disconnect pipe connections, purchase separately Part No. 77703-0105 (2 in. Slip and 1-1/2 in. Slip Union Kit).

Kit Includes:

- 2 #38405-4094 Union Collars
- 2 #35505-1244 O-Ring
- 1 #38405-4095 2 in. Slip Adapter
- 1 #38405-4096 1-1/2 in. Slip Adapter

Item	Part No.	Description	US List	Can. List
<b>DYNA-JET REPLACEMENT PARTS</b>				
1	See Chart	Motor		
2	U30-692SS	Screw #10-32 x 1/2 in.	2.27	2.73
3	U17-568	Bonding Lug	11.98	14.40
4	17351-0009	Slinger <sup>4</sup>	2.07	2.49
5	C3-184P	Seal Plate	129.30	155.37
6	U9-373Z	Seal Plate Cord Ring	CALL	CALL
7	17351-0101S	Shaft Seal	28.74	34.53
8	See Chart	Impeller		
9A	33455-1047	Impeller Lock Screw Gasket <sup>1</sup>	CALL	CALL
9B	37337-6080	Impeller Lock Screw <sup>1</sup>	21.22	25.50
10	C1-270P	Diffuser <sup>2</sup>	32.35	38.87
11	U9-374Z	Diffuser O-Ring	CALL	CALL
11	357098Z	Diffuser O-Ring (Blue Coating)	6.34	7.62
12	17303-0001	Pump Body (Only)	207.55	249.39
13	U178-920PZ	Drain Plug	CALL	CALL
14	U30-919SS	Hi-Lo Screw 5/16-14 x 5/8 in.	4.81	5.78
15A	C4-77P	Base - Corrosion Resistant	54.66	65.68
15B	17303-0113	Base - Steel <sup>3</sup>	51.55	61.94
16A	C35-45	Motor Pad - for Corrosion Resistant Base	4.99	6.00
16B	C35-5	Motor Pad - for Steel Base <sup>3</sup>	27.68	33.26
17	U30-542SS	Screw #8-32 x 7/8 in. Rd. Hd.	2.41	2.90
18	U43-21SS	Lock Washer #8 Ext. Tooth	1.87	2.25
19	U43-62SS	Flat Washer 3/8 in.	1.87	2.25
20	U43-12SS	Lock Washer 3/8 in.	2.92	3.51
21	071403	Nut 3/8-16 Hex	1.69	2.03
22	U30-74SS	Cap Screws 3/8-16 x 1 in. Hex.	4.83	5.80
<b>NOT SHOWN</b>				
	U9-359	Drain Plug O-Ring	0.83	1.00

Parts are common to all models except as noted:  
Key Nos. 1, Motor; and 8, Impeller, are listed below.

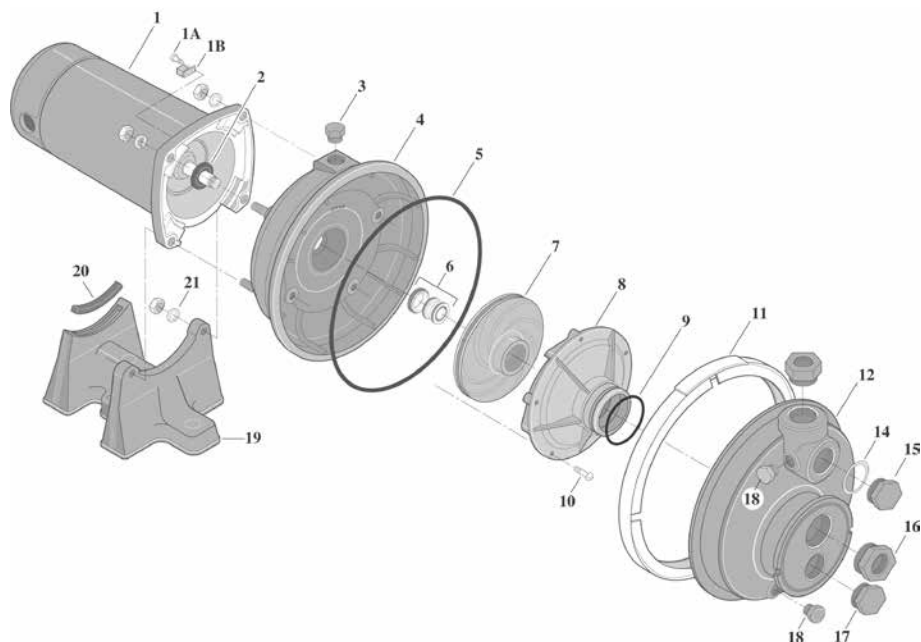
115/230/60/1			
TPEAE-165L	1	62003-2025	C105-236PB
TPEAF-166L	1-1/2	AE100FLL	C105-236PC
TPRAF-174L	1-1/2	A100FLL	C105-236PF
230/60/1			
TPEAG-167LS	2	AE100GLL	C105-236PDA
TPRAG-175L	2	A100GLL	C105-236PGA
TPEAAG-168LS	2-1/2	AE100G5LL	C105-236PEA
230/60/1 (2 Speed)			
TPRAYF-174S	1-1/2	A100FLL-Y	C105-236PF
TPEAYG-175L	2	AE100GLL-Y	C105-236GAB
TPEAYG-175LS	2	AE100GLL-Y	C105-236GAB
TPEAYG-167LS	2	AE100GLL-Y	C105-236PDA
TPEAAYG-168L	2-1/2	AE100G5LL-Y	C105-236PHA
TPEAAYG-168LS	2-1/2	AE100G5LL-Y	C105-236PHA

<sup>1</sup> Models TPEAG-167L, TPEAAG-168L, and TPRAG-167L only.  
<sup>2</sup> Model TPEAE-165L and TPRAE3-165 use Part No. C1-270PC.  
<sup>3</sup> Models with LS suffix only.  
<sup>4</sup> Replaces C69-24 (effective 9/00).

**Note: Pumps and replacement motors that are single speed and one (1) Total HP or greater cannot be sold, offered for sale, or installed in a residential pool for filtration use in California, Title 20 CCR sections 1601-1609.**

CALIFORNIA PROPOSITION 65 WARNING  
**⚠️ WARNING:** Cancer and Reproductive Harm.  
**⚠️ AVERTISSEMENT:** Peut Causer le Cancer et des Dommages au Système Reproducteur.  
**⚠️ ADVERTENCIA:** Cáncer y Daño Reproductivo.  
[www.p65warnings.ca.gov](http://www.p65warnings.ca.gov)

# PLBC SERIES PUMP REPLACEMENT PARTS



Item	Part No.	Description	US List	Can. List
<b>PLBC REPLACEMENT PARTS</b>				
1	A100CHL	Motor 115/230V/60H/1 Ph.	CALL	CALL
1A	U30-692SS	Screw, 10-32 x 1/2 in.	2.27	2.73
1B	U17-568	Lug, Bonding	11.98	14.40
2	17351-0009	Slinger <sup>1</sup>	2.07	2.49
3	WC78-39T	Pipe Plug, 1/2 in. NPT	8.02	9.64
4	L176-47P	Tank Body - Back Half	119.44	143.52
5	U9-389	O-Ring	15.34	18.43
6	U109-93SS	Shaft Seal (Pre-1995)	25.65	30.82
6	17351-0102S	Shaft Seal	32.58	39.15
7	J105-8PACN	Impeller	84.59	101.64
8	J1-40P	Diffuser	67.64	81.28
9	U9-199	O-Ring, Diffuser	3.57	4.29
10	U30-542SS	Screw, 10-32 x 7/8 in.	2.41	2.90
11	C19-54SS	Clamp, Tank Body	100.00	120.16
12	L76-37P	Tank Body - Front Half	239.14	287.35
14	L20-40	Gasket	3.84	4.61
15	L23-4P1	Bushing	9.46	11.37
16	U78-123PT	Reducer Bushing, 1-1/4 in. x 3/4 in.	14.84	17.83
17	U78-830PT	Pipe Plug, 1 in. NPT	11.83	14.21
18	WC78-40T	Pipe Plug, 1/4 in. NPT	3.67	4.41
19	C4-42P	Base	49.10	59.00
20	C35-11	Motor Pad	3.54	4.25
21	U43-11SS	Lockwasher	2.47	2.97
<b>NOT SHOWN</b>				
	J3-2	Insert (Pre-1995)	14.71	17.68
	C35-5	Motor Pad (Pre-1995)	27.68	33.26
	WC78-41T	Pipe Plug, 1/8 in. NPT	4.18	5.02

<sup>1</sup> Replaces C69-2 (effective 9/00).

CALIFORNIA PROPOSITION 65 WARNING

⚠️ **WARNING:** Cancer and Reproductive Harm.  
 ⚠️ **AVERTISSEMENT:** Peut Causer le Cancer et des Dommages au Système Reproducteur.  
 ⚠️ **ADVERTENCIA:** Cáncer y Daño Reproductivo.

www.p65warnings.ca.gov. PN 202114

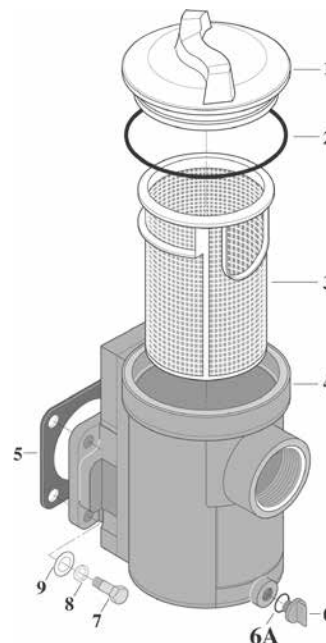


# PLASTIC SUCTION TRAP ASSEMBLY

## PACKAGE NO 161 - 6 IN. REPLACEMENT PARTS

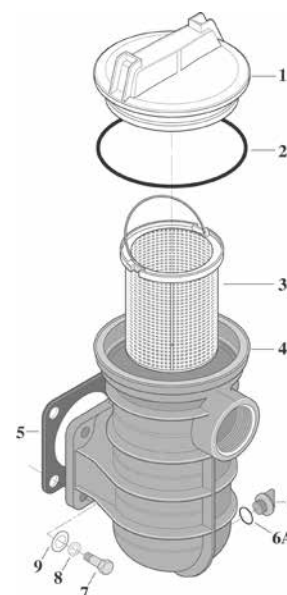


Item	Part No.	Description	US List	Can. List
<b>PKG. 181 6-IN. TRAP REPLACEMENT PARTS</b>				
1	16920-0011	Lid	76.27	91.65
2	16920-0012	O-Ring	22.40	26.92
3	16920-0017	Strainer Basket	32.35	38.87
4	C253-58P	Trap and Adapter Assembly	324.05	389.38
5	C20-123Z	Gasket	CALL	CALL
6	U178-920PZ	Drain Plug, 1/4 in. NPT	CALL	CALL
6A	U9-359	O-Ring	0.83	1.00
7	U30-64SS	Capscrew, 5/16-18 x 1-1/4 in.	4.32	5.19
8	U43-11SS	Lockwasher, 5/16 in.	2.47	2.97
9	U43-41SSZ	Washer, 5/16 in. Flat	CALL	CALL
<b>NOT SHOWN</b>				
	U9-285	Adapter O-Ring	4.81	5.78



## PACKAGE NO 115 - 5 IN. REPLACEMENT PARTS

Item	Part No.	Description	US List	Can. List
<b>PKG. 115 5-IN. TRAP REPLACEMENT PARTS</b>				
1	C3-139P1	Cover	63.56	76.37
2	U9-229Z	O-Ring, Cover	CALL	CALL
3	C108-33PZ	Strainer Basket *	CALL	CALL
4	C153-53P1	Trap Body	118.88	142.85
5	C20-123Z	Gasket	CALL	CALL
6	U178-920PZ	Pipe Plug, 1/4 in. NPT	CALL	CALL
6A	U9-359	O-Ring	0.83	1.00
7	U30-64SS	Capscrew, 5/16 - 18 x 1-1/4 in.	4.32	5.19
8	U43-11SS	Lockwasher	2.47	2.97
9	U43-41SSZ	Washer, Flat	CALL	CALL
<b>NOT SHOWN</b>				
	PKG 115	Complete Suction Trap Assembly	158.54	190.50



CALIFORNIA PROPOSITION 65 WARNING

⚠ **WARNING:** Cancer and Reproductive Harm.  
 ⚠ **AVERTISSEMENT:** Peut Causer le Cancer et des Dommages au Système Reproducteur.  
 ⚠ **ADVERTENCIA:** Cáncer y Daño Reproductivo.  
[www.p65warnings.ca.gov](http://www.p65warnings.ca.gov) PN 201514

