

PUMPS BOOSTER PUMP PARTS

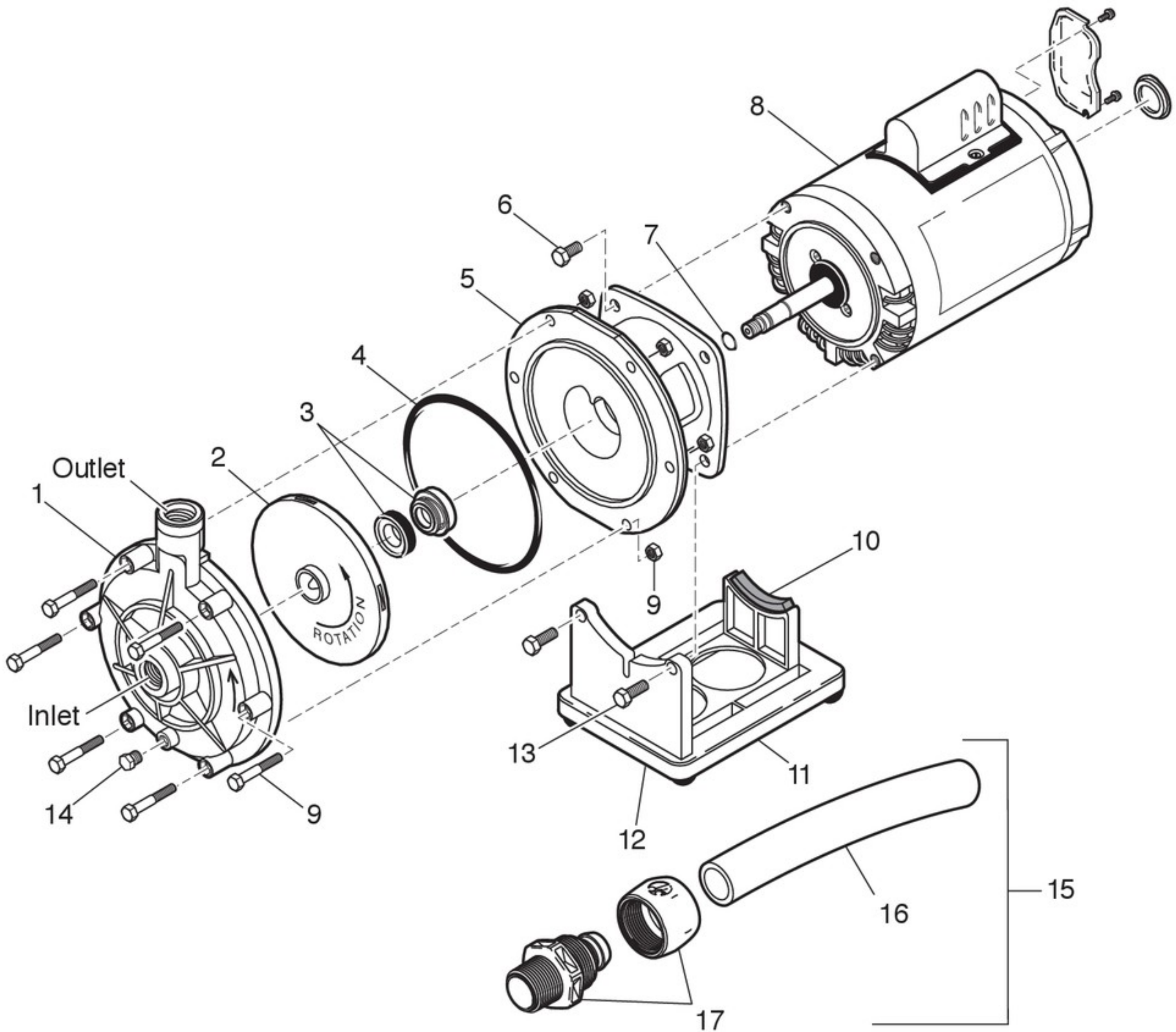
Polaris® Booster Pump with 60 Hz Motor

Part# PB4-60 (For PB4-60 pumps prior to serial number M120111001)

Key No.	Part No.	Description	Qty.
1	P5	Volute (Includes Drain Plug)	1
2	P15	Impeller	1
3	P55	Seal, Stainless Steel Cup/Spring	1
4	P95	O-Ring, Bracket	1
5	P10	Bracket	1
6	P35	Bolt, Stainless, Bracket to Motor	2
7	P40	O-Ring for Shaft	1
8	P61	Motor, 3/4 HP, Threaded Shaft, 60 Hz	1
9	P25	Bolt/Nut, Stainless for Volute to Bracket	6

Key No.	Part No.	Description	Qty.
10	P80	Rubber Strip, Motor/Bracket	1
11	P70	Pump Stand w/ Feet, Strip	1
12	P75	Rubber Feet	4
13	P65	Bolt, SS, Stand to Bracket and Motor	1
14	P20	1/8" NPTM Plug, Plastic	2
15	R0617100	Quick Connect Install Kit	1
16	P19	Pump Hose 6 ft. Reinforced	1
17	R0621000	Quick Connect Fittings	4
N/S	R0617025	Polaris Softube Quick Connects, 25 Packs of 4	100

N/S-Not shown



Polaris® Halcyon Booster Pump with Quiet 60 Hz Motor (Discontinued)

Part# PB4-60Q

Key No.	Part No.	Description	Qty.
1	P64	3/4 HP Motor - Seal Plate Assembly	1
2	P85	O-Ring, Seal Plate	1
3	P84	Seal, Ceramic/Spring	1
4	PI6	Impeller, 60 Hz	1
5	P82	Volute (Includes Drain Plug w/ O-Ring)	1
6	P87	Band Clamp	1
7	P88	1/2"-20 UNF Drain Plug w/ O-Ring	1

Key No.	Part No.	Description	Qty.
8	P86	Pump Stand	1
9	P91	1/4"-20 x .75" Bolt w/ Washer	2
10	R0617100	Quick Connect Install Kit	1
11	R0621000	Quick Connect Fittings	4
12	PI9	Pump Hose 6 ft. Reinforced	1
N/S	R0617025	Polaris Softube Quick Connects, 25 Packs of 4	100

N/S-Not shown

