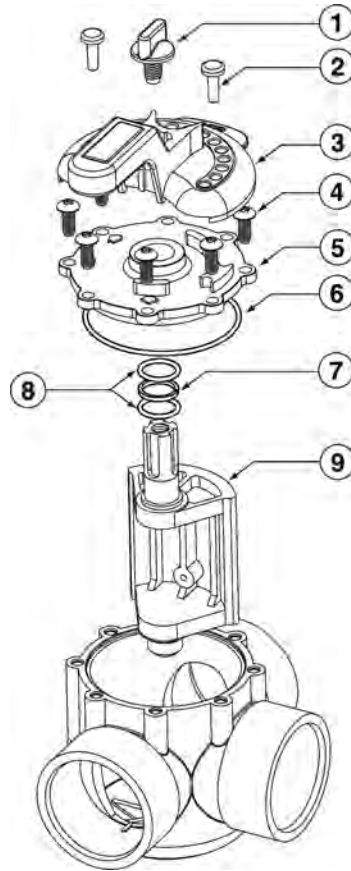




# VALVE PARTS

Product Catalog 2021

## DIVERTER VALVES – 1-1/2 IN. AND 2 IN. REPLACEMENT PARTS (PACFAB AND COMPOOL VALVES)



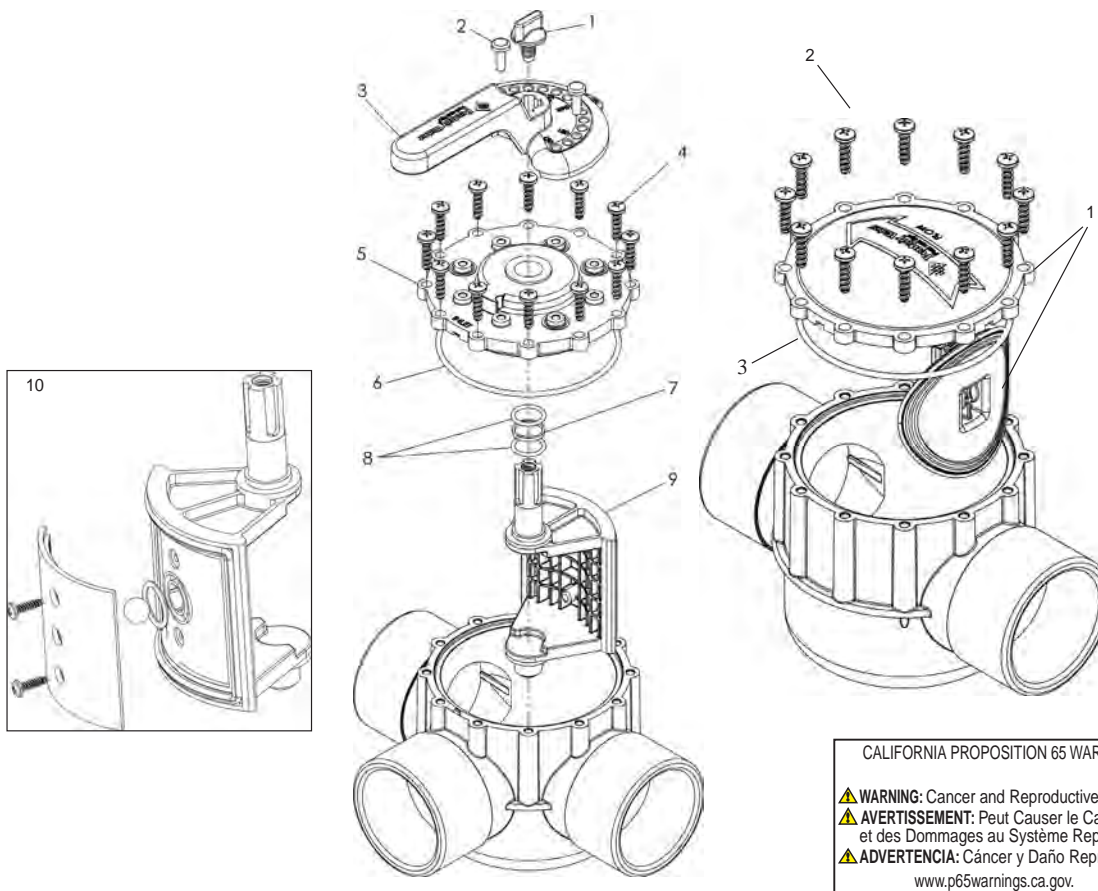
CALIFORNIA PROPOSITION 65 WARNING  
 ⚠️ **WARNING:** Cancer and Reproductive Harm.  
 ⚠️ **AVERTISSEMENT:** Peut Causer le Cancer et des Dommages au Système Reproducteur.  
 ⚠️ **ADVERTENCIA:** Cáncer y Daño Reproductivo.  
[www.p65warnings.ca.gov](http://www.p65warnings.ca.gov) PK201714

Item No.	Part No.	Description	US List	Can. List
<b>DIVERTER VALVES – 1-1/2 IN. AND 2 IN.</b>				
1	270032	Handle Knob 2 & 3-Way Valve	19.62	23.58
2	270021	Pin stop 2 & 3-Way Valve	2.46	2.96
3	270028	Handle 2 & 3-Way Valve	19.39	23.30
4	520389	Screw Kit, (8 Screws)	44.71	53.72
5	270030	Cover CPVC 2 & 3-Way Valve	20.63	24.79
6	51016200Z	O-ring #2-152 Buna 70 Shore	4.17	5.01
7	270038	Spacer ring	1.20	1.44
8	192039Z	O-ring #2-116 Buna 70 Shore	2.86	3.44
9	270056	Diverter assy. 2 & 3-Way Valve, (2–2-1/2 in.) <sup>1</sup>	76.86	92.35
9	270075	Diverter assy. 2 & 3-Way Valve, (1-1/2–2 in.) <sup>1</sup>	88.40	106.22
9	270094	Diverter assy. 3-Way Solar Valve w/ drain down, (2–2-1/2 in.)	128.87	154.85
<b>NOT SHOWN</b>				
	263042Z	Check Valve Replacement Kit	90.38	108.60

<sup>1</sup> Includes: P/N 270038 (Spacer split ring) and P/N 192039Z (O-ring).

# FULLFLOXF® DIVERTER & CHECK VALVES – 2-1/2" & 3"

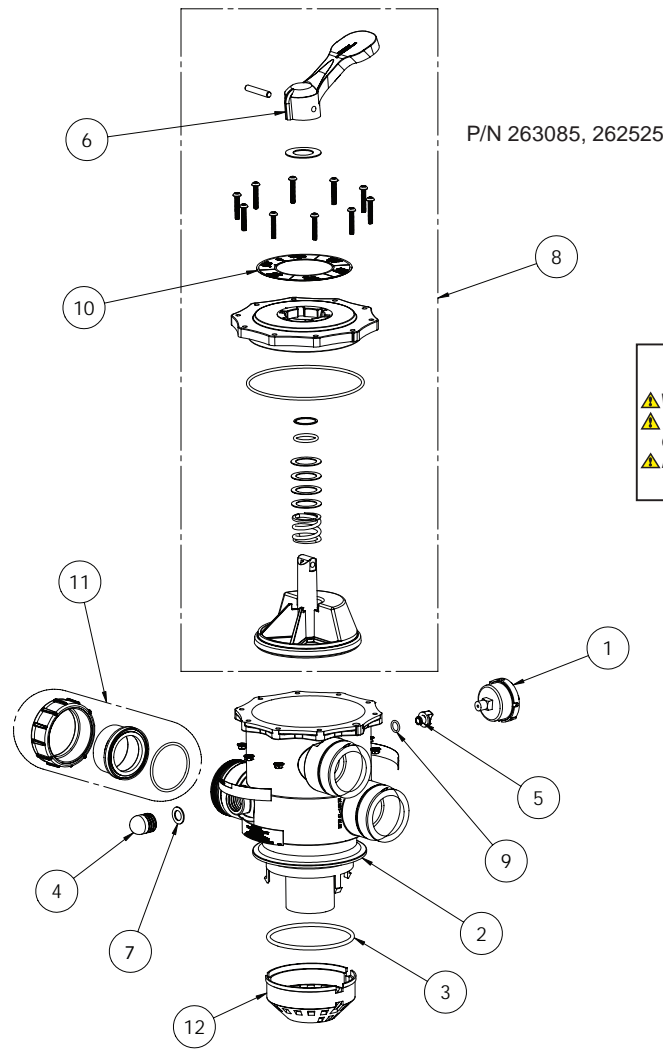
## REPLACEMENT PARTS



CALIFORNIA PROPOSITION 65 WARNING  
 ⚠️ **WARNING:** Cancer and Reproductive Harm.  
 ⚠️ **AVERTISSEMENT:** Peut Causer le Cancer et des Dommages au Système Reproducteur.  
 ⚠️ **ADVERTENCIA:** Cáncer y Daño Reproductivo.  
[www.p65warnings.ca.gov](http://www.p65warnings.ca.gov) PH-202114

Item No.	Part No.	Description	US List	Can. List
<b>DIVERTER VALVE</b>				
1	271074Z	Screw Handle Lock	19.63	23.59
2	271072Z	Pin Handle Stop	2.48	2.98
3	270118Z	Handle	CALL	CALL
4	271077Z	Screw Kit (12 screws/kit)	CALL	CALL
5	270115Z	Diverter Valve Cover	29.42	35.35
6	270116Z	O-Ring, 2-248 Buna-N 70 Shore A (1 req.)	9.19	11.04
7	271073Z	O-ring, Spacer (1 req.)	4.59	5.52
8	192039Z	O-Ring, 2-116 Buna-N 70 Shore A (2 req.)	2.86	3.44
9	270106Z	Diverter Shaft Assy	99.28	119.29
10	270107Z	Diverter Assy Solar 3-Way Valve w/ Drain Down Check Valve	147.06	176.71
<b>CHECK VALVE</b>				
1	270119Z	Check Valve Flapper Replacement Kit (includes items 2 & 3)	124.28	149.33
2	271077Z	Screw Kit (12 Screw/Kit)	55.14	66.26
3	270116Z	O-Ring 2-248 Buna-N 70 Shore A (1 req.)	9.19	11.04

## 2 IN. TOP MOUNT VALVE REPLACEMENT PARTS



CALIFORNIA PROPOSITION 65 WARNING  
 ⚠️ **WARNING:** Cancer and Reproductive Harm.  
 ⚠️ **AVERTISSEMENT:** Peut Causer le Cancer et des Dommages au Système Reproducteur.  
 ⚠️ **ADVERTENCIA:** Cáncer y Daño Reproductivo.  
[www.p65warnings.ca.gov](http://www.p65warnings.ca.gov) 7/13/2013

Item	Part No.	Description	US List	Can List
<b>6 POSITION TOP MOUNT CLAMP-ON MULTI-PORT VALVE</b>				
1	190059Z	Pressure Gauge	CALL	CALL
2	270210Z	Valve Body	91.01	109.36
3	272541	Valve Body O-Ring	9.04	10.86
4	272556Z	Sight Glass	18.92	22.73
5	272557Z	Drain Plug	18.73	22.51
6	272558Z	Handle	28.53	34.28
7	272567Z	Sight Glass Gasket	18.92	22.73
8	272568Z	Valve Top Assembly*	179.91	216.18
9	272573Z	Drain Plug O-Ring	18.92	22.73
10	272576Z	Valve Position Label	21.25	25.53
11	272590Z	Union Kit	53.56	64.36
12	274402Z	Diffuser	35.70	42.90

\* Item #8 does not include screws.

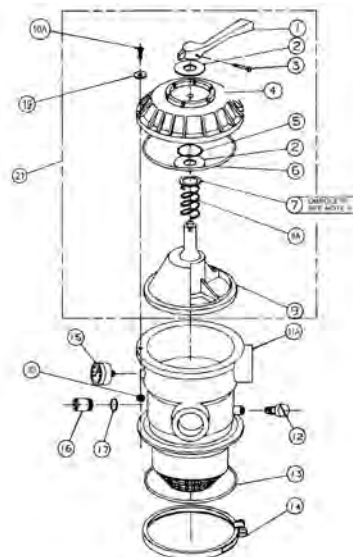
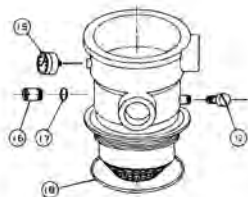
# SIX-WAY 1-1/2 IN. TOP MOUNT HIFLOW™ VALVES

## REPLACEMENT PARTS (PACFAB MULTIPORT VALVES 262504, 262505, 262506)

### NOTE

- <sup>1</sup> VALVES MANUFACTURED BEFORE MARCH 1, 1993 DO NOT CONTAIN ITEM 16 SIGHT GLASS OR ITEM 17 SIGHT GLASS GASKET.
- <sup>2</sup> CLAMP STYLE VALVES MANUFACTURED BEFORE MARCH 1, 1993 CONTAIN A DIFFERENT AIR BLEEDER WITH O-RING P/N 272515. THIS PART IS NOT INTERCHANGEABLE WITH P/N 273512. THREADED VALVES MANUFACTURED BEFORE MARCH 1, 1993 DO NOT CONTAIN AN AIR BLEEDER WITH O-RING.
- <sup>3</sup> ITEM 8A USED ON VALVES MANUFACTURED AFTER MAY 1, 1992 AND REPLACES BOTH ITEMS 7 AND 8.
- <sup>4</sup> ITEMS 10A, 19 AND 20 ARE USED ON VALVES MANUFACTURED AFTER APRIL 15, 1994 AND REPLACE ITEM 10.

For (261130) 6 in.  
Buttress Style Valve For  
TA Filters



For (262504) (262505)(262506) Clamp Style Valve For TA-D Filters

CALIFORNIA PROPOSITION 65 WARNING

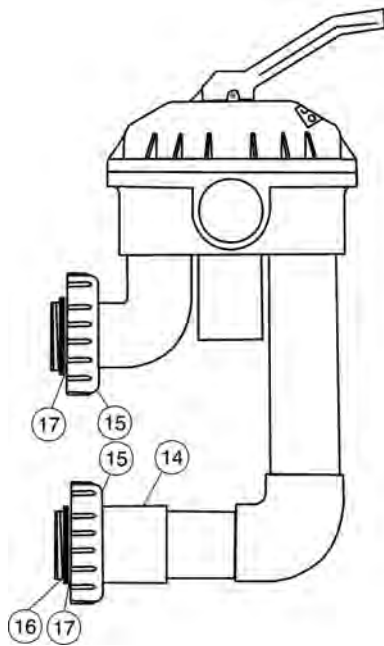
⚠️ **WARNING:** Cancer and Reproductive Harm.  
 ⚠️ **AVERTISSEMENT:** Peut Causer le Cancer et des Dommages au Système Reproducteur.  
 ⚠️ **ADVERTENCIA:** Cáncer y Daño Reproductivo.

www.p65warnings.ca.gov. P/N 262504

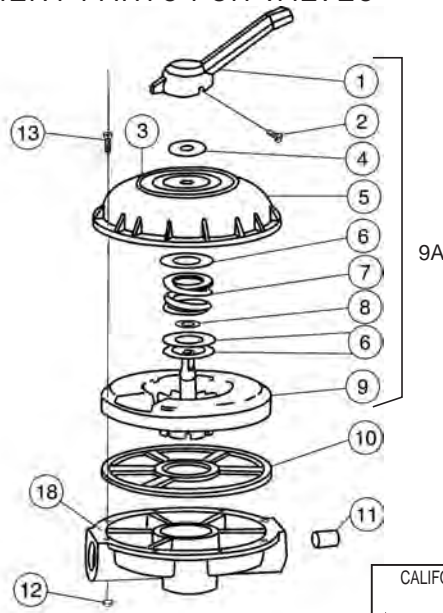
-Item No.	Part No.	Description	US List	Can. List
<b>6-WAY HIFLOW MULTIPORT VALVES</b>				
1	272520	Handle	27.70	33.28
2	272505	Washer plastic, 2 req.	3.11	3.74
3	272405	Screw - handle	1.82	2.19
4	272599	Six-way valve label	6.46	7.76
5	272511	O-ring - diverter shaft	1.74	2.09
6	354053	O-ring - valve top	30.69	36.88
7	271193	Washer - s/s <sup>3</sup>	2.66	3.20
8	272400	Spring - comp. 100 lb. 1-13/16 o.d. <sup>3</sup>	10.39	12.48
8A	272535	Spring - comp. 100 lb. 1-3/8 o.d. <sup>3</sup>	5.55	6.67
9	272512	Diverter w/ gasket	59.43	71.41
10A	354541	Screw #10-24 hex pan head, 6 req. <sup>4</sup>	2.42	2.91
11A	272530	Valve body w/ diffuser - clamp style	145.58	174.93
12	273512	Air bleeder with O ring <sup>2</sup>	12.90	15.50
13	272541	O-ring - 3/16 in. x 4-5/8 in. i.d.	9.04	10.86
14	152165	Clamp	27.70	33.28
15	190059Z	Pressure gauge	CALL	CALL
16	272550	Sight glass <sup>1</sup>	14.70	17.66
17	271106	Gasket - sight glass <sup>1</sup>	3.29	3.95
18	154493	O-ring	6.00	7.21
19	272555	Washer - 9/16 s/s, 6 req. <sup>4</sup>	1.82	2.19
20	272554	Nut - #10-24 serrated flange s/s, 6 req. <sup>4</sup>	2.22	2.67
21	272531	HiFlow 1-1/2 in. top valve assy.	181.95	218.63

## 2 IN. HIFLOW™ VALVES

### REPLACEMENT PARTS FOR VALVES



Valves  
261049  
261050  
261142



CALIFORNIA PROPOSITION 65 WARNING  
 ⚠️ **WARNING:** Cancer and Reproductive Harm.  
 ⚠️ **AVERTISSEMENT:** Peut Causer le Cancer et des Dommages au Système Reproducteur.  
 ⚠️ **ADVERTENCIA:** Cáncer y Daño Reproductivo.  
[www.p65warnings.ca.gov](http://www.p65warnings.ca.gov) PK2017A

Item	Part No.	Description	US List	Can. List
<b>2 IN. HIFLOW VALVES</b>				
1	272520	Handle	27.70	33.28
2	272405	Screw - Handle	1.82	2.19
3	272120	Label	CALL	CALL
4	272402	Washer - Plastic	3.16	3.80
5	272412	Valve Top	62.83	75.50
6	271193	Washer - 18 GA., 2 req.	2.66	3.20
7	272400	Spring - Compression	10.39	12.48
8	JV18	O-ring Kit Bag	1.25	1.50
9	272413Z	Diverter	111.04	133.43
9A	272422	Valve top assy. <sup>1</sup>	238.18	286.20
10	272409	Seal - Diverter	43.25	51.97
11	154566	Sight Glass 2 in. clear	16.91	20.32
12	98211400	Nut 1/4 in.- 20 Hex, 8 req.	2.89	3.47
13	272403	Screw 1/4 in.- 20, 8 req.	1.94	2.33
15	274407	Nut - Bulkhead adapter, 2 req.	19.16	23.02
16	274426	Adapter - Union Kit	CALL	CALL
17	274494	O-ring - Bulkhead adapter, 2 req.	5.46	6.56
18	272433	Valve btm. 2 in. w/ gasket <sup>2</sup>	147.83	177.63

<sup>1</sup> This part number includes items 1 thru 9.

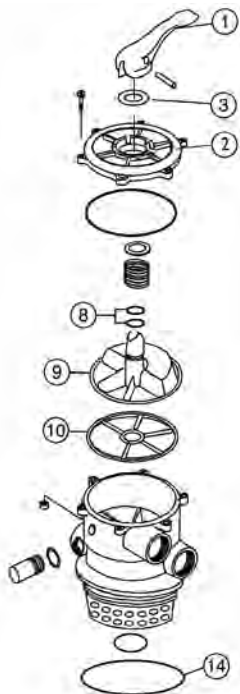
<sup>2</sup> 272433 valve btm. 2 in. w/ gasket contains one each of: 272409 seal diverter and 272415 Plate 2 in. valve btm.

# TOP MOUNT CLAMP-ON MULTIPOINT VALVES

## REPLACEMENT PARTS FOR AMERICAN VALVES

P/N 50113100  
1-1/2 in. thrd.

P/N 50123100  
2 in. slip



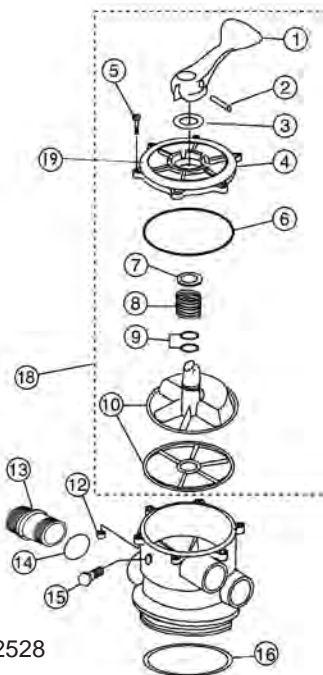
Item	Part No.	Description	US List	Can. List
<b>6 POSITION TOP MOUNT CLAMP-ON MULTIPOINT VALVE</b>				
1	271156	Handle	36.64	44.03
2	98740900	Label multipoint valve - 2 in. eclipse	CALL	CALL
3	51001400	Washer, poly	10.65	12.80
8	191479	O-ring	1.49	1.79
9	51002800	Rotor 1-1/2 in.	89.22	107.21
9	51002900	Rotor 2 in.	93.48	112.33
10	271104	Gasket, spider, 1-1/2 in. valve	29.42	35.35
10	271148Z	Gasket, spider, 2 in. valve	35.66	42.85
14	39300600Z	O-ring, 26 & 30 in. filter	22.82	27.42

CALIFORNIA PROPOSITION 65 WARNING

⚠ **WARNING:** Cancer and Reproductive Harm.  
 ⚠ **AVERTISSEMENT:** Peut Causer le Cancer et des Dommages au Système Reproducteur.  
 ⚠ **ADVERTENCIA:** Cáncer y Daño Reproductivo.  
[www.p65warnings.ca.gov](http://www.p65warnings.ca.gov)

# TOP MOUNT CLAMP-ON MULTIPOINT VALVES

## REPLACEMENT PARTS FOR AMERICAN VALVES



P/N 272528

5 Position Product No.: 50115100

8 Position Product Nos.: 50118100,  
50118200, & 50118300

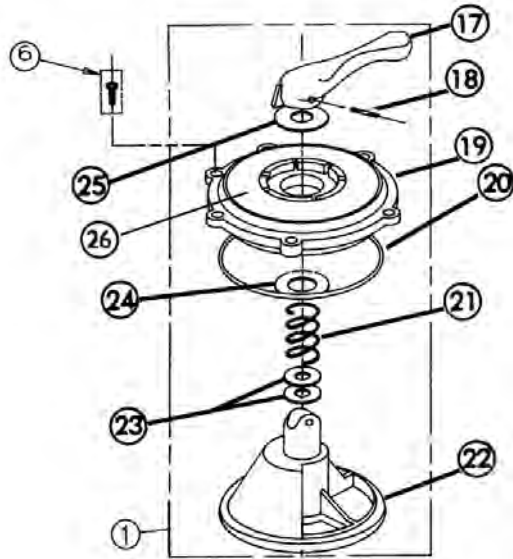
Item	Part No.	Description	US List	Can. List
<b>5 &amp; 8 POSITION TOP MOUNT CLAMP-ON MULTIPOINT VALVE</b>				
1	50131100	Handle, 8-pos.	37.43	44.98
2	50151400	Pin, handle	7.30	8.77
3	51025700	Washer, poly	9.82	11.80
4	50133100	Lid assy., 8-pos., w/ label	62.42	75.00
5	98209000	Screw 14-20 x 1-1/2 in., 6 req.	2.31	2.78
6	50151700	O-ring, lid	15.58	18.72
7	51021600	Washer	7.84	9.42
8	51000700	Spring	13.52	16.25
9	191479	O-ring, rotor, 2 req.	1.49	1.79
10	50131400	Rotor, spider gasket assy.	43.08	51.76
12	98211400	Nut, 1/4 in. -20, 6 req.	2.89	3.47
13	85019000	Sight glass, 18, 20 in. sand filter	24.12	28.98
13	85019100	Sight glass, 22, 26 in. sand filter	24.12	28.98
14	50152300	O-ring, backwash sight glass	5.80	6.97
15	98206400	Plug, 1/4 in. NPT w/ O-ring	4.21	5.06
16	39300600Z	O-ring, 26, 30 in. sand filter	22.82	27.42
18	272528	Top Valve Assy.	173.52	208.50
19	96734200	Label multipoint valve 8 pos.	CALL	CALL

CALIFORNIA PROPOSITION 65 WARNING

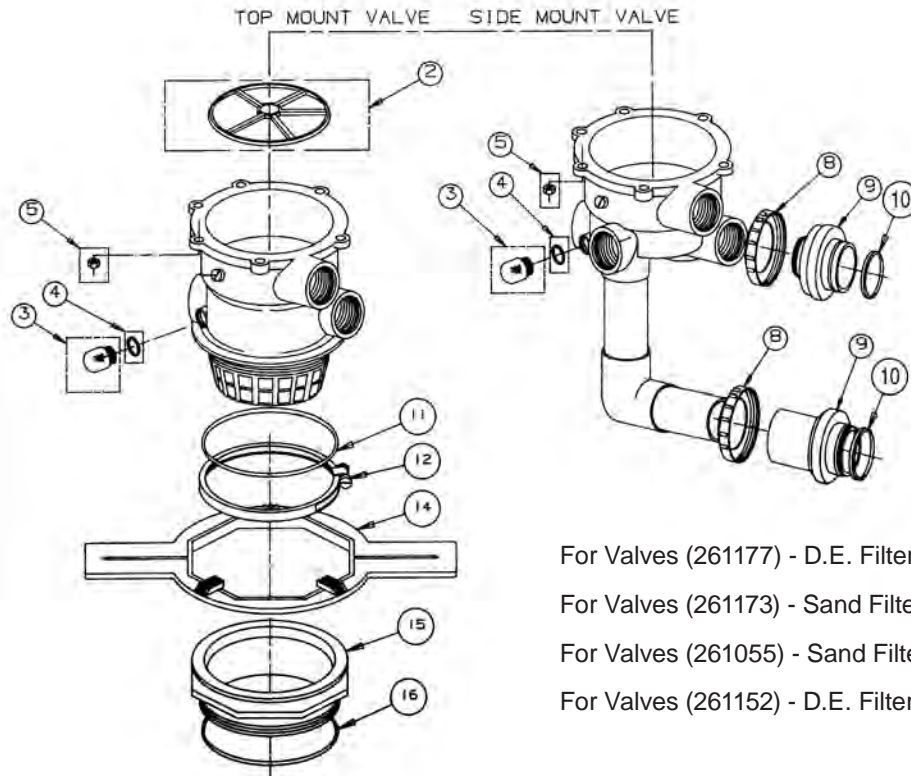
⚠ **WARNING:** Cancer and Reproductive Harm.  
 ⚠ **AVERTISSEMENT:** Peut Causer le Cancer et des Dommages au Système Reproducteur.  
 ⚠ **ADVERTENCIA:** Cáncer y Daño Reproductivo.  
[www.p65warnings.ca.gov](http://www.p65warnings.ca.gov)

# TOP MOUNT / SIDE MOUNT VALVES

## REPLACEMENT PARTS FOR PACFAB MULTIPOINT VALVES



For use on TR, TA, NS  
or FNS filters



For Valves (261124, 261185)

For Valves (261177) - D.E. Filters  
For Valves (261173) - Sand Filters  
For Valves (261055) - Sand Filters  
For Valves (261152) - D.E. Filters

CALIFORNIA PROPOSITION 65 WARNING

▲ **WARNING:** Cancer and Reproductive Harm.  
▲ **AVERTISSEMENT:** Peut Causer le Cancer et des Dommages au Système Reproducteur.  
▲ **ADVERTENCIA:** Cáncer y Daño Reproductivo.  
www.p65warnings.ca.gov. P19-201714



## TOP MOUNT / SIDE MOUNT VALVES (CONT'D)

## REPLACEMENT PARTS FOR PACFAB MULTIPORT VALVES

Item	Part No.	Description	US List	Can. List
<b>TM/SM HIFLOW MULTIPORT VALVES</b>				
1	270068	Top valve assy. 1-1/2 in.	220.05	264.41
1	270067	Top valve assy. 2 in.	261.66	314.41
2	271104	Gasket - diverter, 1-1/2 in.	29.42	35.35
2	271148Z	Gasket - diverter, 2 in.	35.66	42.85
3	272550	Sight glass	14.70	17.66
4	271106	Gasket - sight glass	3.29	3.95
5	152167	Nut, M6 s/s, 6 req.	1.69	2.03
6	152168	Screw - M6 x 30mm s/s, 6 req.	2.36	2.84
8	274407	Nut - bulkhead adapter, 2 req.	19.16	23.02
9	274404	Adapter - valve, slip 1-1/2 in.	27.70	33.28
9	274651	Adapter - valve, threaded 1-1/2 in.	14.78	17.76
9	274556	Adapter - valve thread, 2 in.	17.18	20.64
10	274494	O-ring - adapter, 2 req.	5.46	6.56
11	272541	O-ring - valve adapter, 1-1/2 in.	9.04	10.86
11	275333	O-ring - valve, 2 in.	7.68	9.23
12	152165	Clamp with screws and nuts, 1-1/2 in.	27.70	33.28
12	152130	Band assy. - valve, 2 in.	117.48	141.16
14	154512	Wrench - flanged valve, 1-1/2 in.	29.13	35.00
14	151608	Wrench - adapter flange	CALL	CALL
15	155225	Adapter - flanged std. thread, 1-1/2 in.	43.02	51.69
15	152520Z	Adapter - flanged buttress, 1-1/2 in.	121.86	146.43

Item	Part No.	Description	US List	Can. List
15	154521	Adapter - flange buttress thread, 2 in.	76.49	91.91
16	154493	O-ring flanged valve adapter, 1-1/2 in.	6.00	7.21
16	152501	O-ring - adapter, 2 in.	7.43	8.93
17	271156	Handle	36.64	44.03
18	271164	Pin, handle	14.78	17.76
19	271158	Valve top, white, 1-1/2 in.	66.81	80.28
19	271165	Valve top, black, 1-1/2 in.	66.81	80.28
19	271166	Top valve cover, blk, 2 in.	100.13	120.32
19	271169	Top valve cover, blk, 2 in.	100.13	120.32
20	271103	O-ring, valve top, 1-1/2 in.	17.41	20.92
20	271151	O-ring, valve top, 2 in.	21.41	25.73
21	271161	Valve spring	49.59	59.59
22	271163	Valve diverter, 1-1/2 in.	89.15	107.12
22	271168	Valve diverter, 2 in.	100.13	120.32
23	191479	O-ring, stem, 2 req.	1.49	1.79
24	271160	Washer, valve spring	10.83	13.01
25	271157	Washer, handle	10.83	13.01
26	273208	Label 2 in. Sand (261055)	CALL	CALL
26	273207	Label 2 in. D.E. (261152)	CALL	CALL
26	271140	Label 1.5 in. Sand (261173)	CALL	CALL
26	271141	Label 1.5 in. D.E. (261177)	CALL	CALL
26	272035	Label 1.5 in. Sand (261124)	CALL	CALL
26	273211	Label 2 in. Sand (261185)	CALL	CALL

## CALIFORNIA PROPOSITION 65 WARNING

⚠ **WARNING:** Cancer and Reproductive Harm.  
 ⚠ **AVERTISSEMENT:** Peut Causer le Cancer et des Dommages au Système Reproducteur.  
 ⚠ **ADVERTENCIA:** Cáncer y Daño Reproductivo.  
[www.p65warnings.ca.gov](http://www.p65warnings.ca.gov)

# MULTIPOINT SIDE MOUNT 1-1/2 IN. VALVES

## REPLACEMENT PARTS FOR STA-RITE VALVES



Item	Part No.	Description	US List	Can. List
<b>MULTIPOINT SIDE MOUNT 1-1/2 IN. VALVE</b>				
2	14962-0017	Plug and Gasket	114.37	137.43
4	98211400	Hex Nut, 1/4-20 S.S.	2.89	3.47
5	WC78-40T	Plug, 1/4 in.	3.77	4.53
7	35857-0021	Dowel Pin, 5/16 x 2-1/2 in. S.S.	7.84	9.42
11	14962-0005	Washer	4.44	5.34
12	35505-1228	O-Ring	4.44	5.34
13	14962-0011	Spring	22.55	27.10
14	35505-1272	O-Ring	11.91	14.31
<b>NOT SHOWN</b>				
14962-0035	Spring and O-Ring Kit, Includes Items 11, 12, 13 & 14		47.18	56.69

**MODELS**

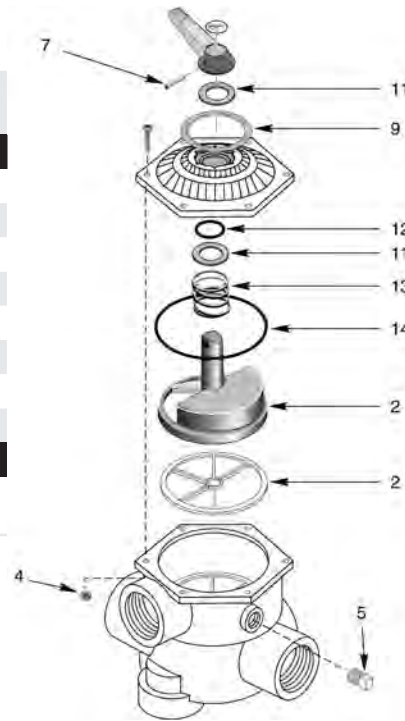
14964-0014 – Hose Connection

WC212-143P – Union onnection

CALIFORNIA PROPOSITION 65 WARNING

⚠️ **WARNING:** Cancer and Reproductive Harm.  
 ⚠️ **AVERTISSEMENT:** Peut Causer le Cancer et des Dommages au Système Reproducteur.  
 ⚠️ **ADVERTENCIA:** Cáncer y Daño Reproductivo.

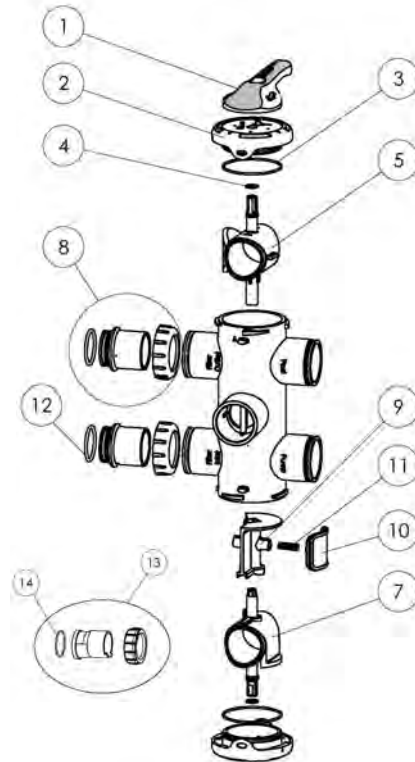
www.p65warnings.ca.gov. P652017A



# FULLFLOXF® BACKWASH VALVE

## REPLACEMENT PARTS FOR VALVES

Item	Part No.	Description	US List	Can. List
<b>FULLFLOXF BACKWASH VALVE</b>				
1	270187Z	Handle	55.14	66.26
2	270190Z	End Cap, 2 Req.	47.81	57.45
3	270197Z	O-Ring #2-244 Buna, 2 Req.	8.82	10.60
4	192039Z	O-Ring #2-116 Buna, 2 Req.	2.86	3.44
5	270199Z	Outlet Diverter	73.54	88.37
7	270200Z	Inlet Diverter	73.54	88.37
8	274426Z	Pentair Union Assembly	55.14	66.26
9	274416Z	Center Diverter	55.14	66.26
10	274417Z	Waste Seal	55.14	66.26
11	274421Z	Waste Seal Spring	12.86	15.45
12	274494	O-Ring #2-332 Buna	5.46	6.56
13	261067Z	Sta-Rite Union Assembly	55.14	66.26
14	U9-362	O-Ring #2-231 Buna	5.56	6.68
<b>NOT SHOWN</b>				
270514Z	Rebuilt Kit includes Item 3 (Qty. 2), Item 4 (Qty. 2), and Items 5, 7, and 10.		183.83	220.89
411101Z	XF Union Kit		110.30	132.54



Product on page 268.

# MULTIPOINT SIDE MOUNT 1-1/2 & 2 IN. VALVES

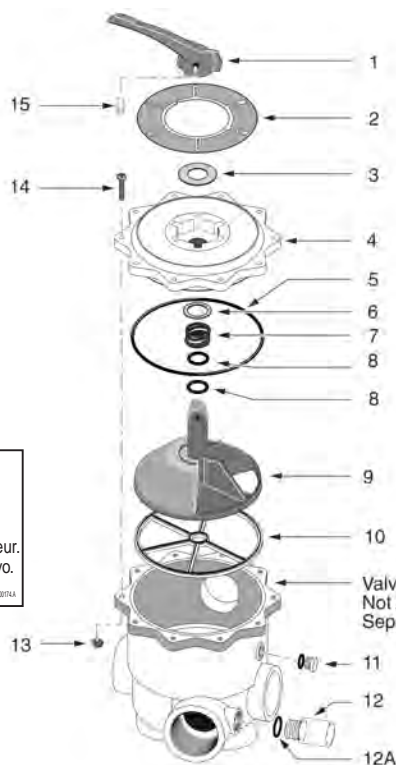
## REPLACEMENT PARTS FOR STA-RITE VALVES



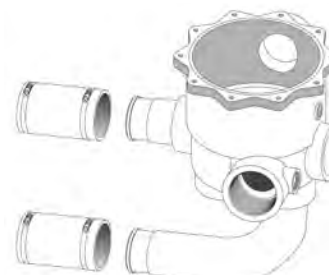
**MODELS**

- 18202-0150
- 18202-0150H
- 18201-0200
- 18201-0200H
- 18201-0300
- 18202-0250

CALIFORNIA PROPOSITION 65 WARNING  
 ⚠️ **WARNING:** Cancer and Reproductive Harm.  
 ⚠️ **AVERTISSEMENT:** Peut Causer le Cancer et des Dommages au Système Reproducteur.  
 ⚠️ **ADVERTENCIA:** Cáncer y Daño Reproductivo.  
[www.p65warnings.ca.gov](http://www.p65warnings.ca.gov)      PH 201714



Models 18202-0150, 18201-0200, and 18201-0300 include union halves as shown.



Models 18202-0150H and 18202-0200H require hose connector kits.

Item	Part No.	Description	US List	Can. List
<b>MULTIPOINT SIDE MOUNT 1-1/2 &amp; 2 IN. VALVE</b>				
1	14971-SM10E1	Handle	43.37	52.11
2	32155-4136	Label Decal (2 in. Valve) (18201-0200 & 18201-0200H)	CALL	CALL
2	32155-4133	Label Decal (1.5 in. Valve) (18202-0150 & 18202-0150H)	CALL	CALL
2	32155-4171	Label Decal (1.5 in. Valve) (18202-0250)	CALL	CALL
3	14971-SM10E3	Washer	12.39	14.89
4	14971-SM10E6	Valve Cover (1-1/2 in. Valve)	79.19	95.15
4	14971-SM20E6	Valve Cover (2 in. Valve)	66.95	80.45
5	14971-SM20E7	Cover O-Ring (2 in. Valve)	18.42	22.13
6	14971-SM10E8	Washer	12.39	14.89
7	14971-SM10E9	Spring	54.17	65.09
8	14971-SM10E10	O-Ring	11.12	13.36
9	14971-SM10E11	Plug (1-1/2 in. Valve)	73.04	87.76
9	14971-SM20E11	Plug (2 in. Valve)	69.54	83.56
10	14971-SM10E12	Spider Gasket (1-1/2 in. Valve)	22.33	26.83
10	14971-SM20E12	Spider Gasket (2 in. Valve)	48.73	58.55
11	U178-920PZ	1/4 in. NPT Plug w/ O-Ring	CALL	CALL
12	14971-SM10E17	Sight Glass	18.79	22.58
12A	14971-SM10E16	Sight Glass Gasket	6.89	8.28
13	14971-SM10E14	Nut (6 for 1-1/2 in., 10 for 2 in.)	2.91	3.50
14	14971-SM10E4	Bolt (6 for 1-1/2 in., 10 for 2 in.)	4.38	5.26
15	14971-SM10E2	Handle Pin	17.52	21.05
16	U9-362	O-Ring (-0150, -0200 only)	5.56	6.68

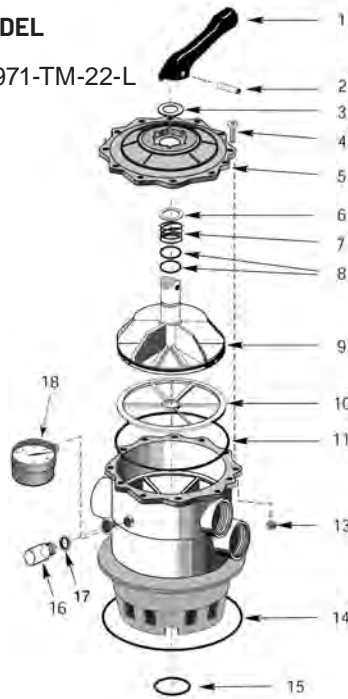
## MULTIPOINT 2 IN. VALVES

### REPLACEMENT PARTS FOR STA-RITE VALVES



MODEL

14971-TM-22-L



Item	Part No.	Description	US List	Can. List
<b>MULTIPOINT 2 IN. VALVE</b>				
1	14971-SM10E1	Handle (ABS)	43.37	52.11
2	14971-SM10E2	Pin (S.S. 304)	17.52	21.05
3	14971-SM10E3	Washer	12.39	14.89
4	14971-SM10E4	Screw (S.S. 304)	4.38	5.26
5	14971-SM20E6	Valve Cover (ABS)	66.95	80.45
6	14971-SM10E8	Washer	12.39	14.89
7	14971-SM10E9	Spring (S.S. 304)	54.17	65.09
8	14971-SM10E10	O-Ring (Mitrile)	11.12	13.36
9	14971-SM20E11	Plug & Gasket Assembly	69.54	83.56
10	14971-SM20E12	Gasket (Kratom)	48.73	58.55
11	14971-SM20E7	O-Ring, Cover	18.42	22.13
13	14971-SM10E14	Nut, Hex (S.S. 304)	2.91	3.50
14	U9-369	O-Ring, Tank Flange	18.12	21.77
15	35505-1243	O-Ring, Stand Pipe	3.95	4.75
16	14971-SM10E17	Sight Glass	18.79	22.58
17	14971-SM10E16	Sight Glass, Gasket	6.89	8.28
18	15060-0000T	Gauge, Pressure	49.15	59.06
<b>NOT SHOWN</b>				
	14971-SM20E50	Key Assembly Items 1-10	436.78	524.83

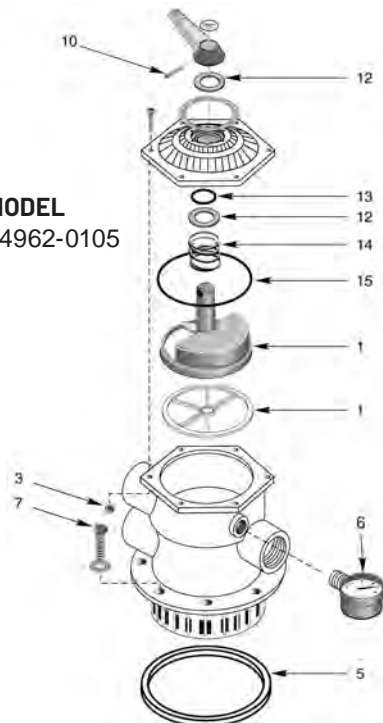
## MULTIPOINT TOP MOUNT 1-1/2 IN. VALVES

### REPLACEMENT PARTS FOR STA-RITE VALVES



MODEL

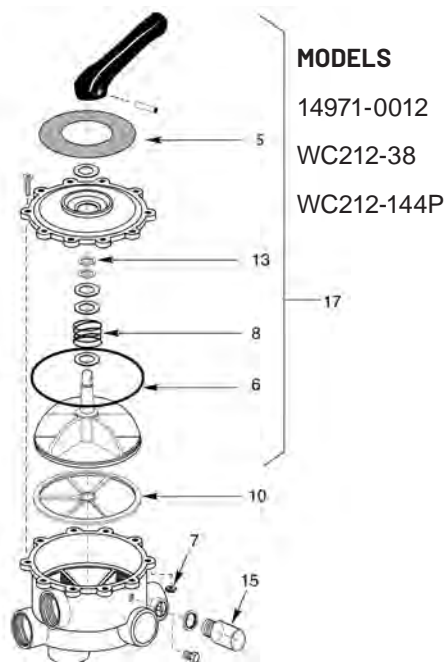
14962-0105



Item	Part No.	Description	US List	Can. List
<b>MULTIPOINT TOP MOUNT 1-1/2 IN. VALVE</b>				
1	14962-0017	Plug with Gasket	114.37	137.43
3	98211400	Hex Nut, 1/4-20 S.S.	2.89	3.47
5	14962-0021	Square Ring, BUNA-N	23.00	27.64
6	15060-0000T	Pressure Gauge - 0-60 PSI	49.15	59.06
7	U30-74SS	Bolt, 3/8-16 x 1 in. S.S.	4.96	5.96
10	35857-0021	Dowel Pin, 5/16 x 2-1/2 in. S.S.	7.84	9.42
12	14962-0005	Washer, Celcon	4.44	5.34
13	35505-1228	O-Ring, Parker #2-216, BUNA-N	4.44	5.34
14	14962-0011	Spring, Compression	22.55	27.10
15	35505-1272	O-Ring, Parker #2-255	11.91	14.31
<b>NOT SHOWN</b>				
	14962-0035	Spring and O-ring Kit, includes items 12, 13, 14 & 15	47.18	56.69

# MULTIPOINT SIDE MOUNT 2 IN. VALVE PLUG & GASKET KIT

## REPLACEMENT PARTS FOR STA-RITE VALVES



### MODELS

14971-0012  
WC212-38  
WC212-144P

Item	Part No.	Description	US List	Can. List
<b>MULTIPOINT 2 IN. VALVE PLUG &amp; GASKET KIT</b>				
5	60000-0706	Label	CALL	CALL
6	35505-1412	O-Ring <sup>1</sup>	50.06	60.15
7	35407-0071	Nut, 1/4 -20 S.S.	5.58	6.70
8	14971-0006	Spring <sup>1</sup>	101.62	122.11
10	14971-0005	Gasket, Valve Seat	97.25	116.86
13	57006800	O-Ring <sup>1</sup>	2.06	2.48
15	14971-0009	Sight Glass	32.39	38.92
17	77704-0100	Cover and Plug Assembly Kit, includes items 5 & 9	CALL	CALL

<sup>1</sup> Kit includes 2 hoses, 4 clamps.

CALIFORNIA PROPOSITION 65 WARNING  
 ⚠️ **WARNING:** Cancer and Reproductive Harm.  
 ⚠️ **AVERTISSEMENT:** Peut Causer le Cancer et des Dommages au Système Reproducteur.  
 ⚠️ **ADVERTENCIA:** Cáncer y Daño Reproductivo.  
[www.p65warnings.ca.gov](http://www.p65warnings.ca.gov)      PK2017A

# FULLFLOW® VALVES

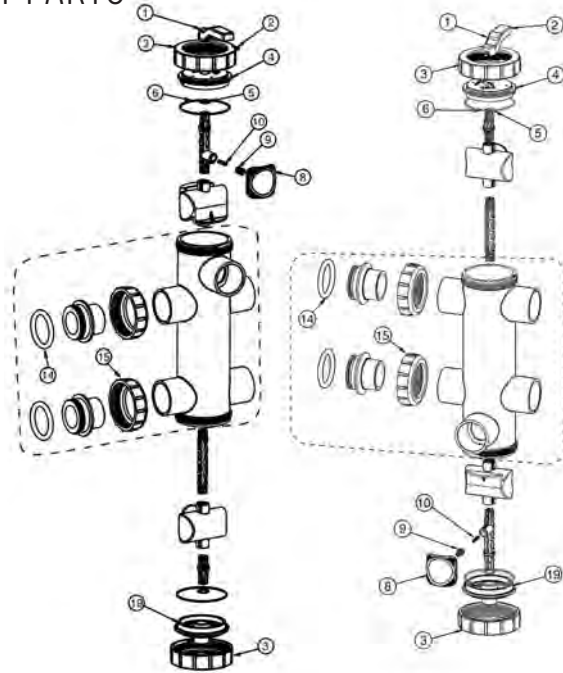
## REPLACEMENT PARTS

Item	Part No.	Description	US List	Can. List
<b>FULLFLOW VALVES</b>				
1	278006	Handle	12.71	15.27
2	072536	Screw	10.76	12.93
3	278020	Cap, nut, 2 req.	11.20	13.46
4	278021	Cap, insert - top.	19.43	23.35
5	192039Z	O-ring #2-116 Bunan, 2 req.	2.86	3.44
6	275300	O-ring #2-154 Bunan 70, 2 req.	0.63	0.76
8	278019	Seal, waste.	23.83	28.63
9	271065	Spring, .42 o. d..	4.58	5.50
10	270006	Spring, .24 o. d..	7.30	8.77
14	274494	O-ring, adapter, 2 req.	5.46	6.56
15	274440	Nut, adapter, 2 req. <sup>1</sup>	18.63	22.39
19	278022	Cap insert, bottom	21.88	26.29
20	270011	Shaft Assembly	89.29	107.29

<sup>1</sup> Items may not be purchased separately, order item #20, Shaft Assy.

CALIFORNIA PROPOSITION 65 WARNING

⚠ **WARNING:** Cancer and Reproductive Harm.  
 ⚠ **AVERTISSEMENT:** Peut Causer le Cancer et des Dommages au Système Reproducteur.  
 ⚠ **ADVERTENCIA:** Cáncer y Daño Reproductivo.  
[www.p65warnings.ca.gov](http://www.p65warnings.ca.gov)



FullFlow Sand Valve  
263010  
7-1/2 in. Centerline  
Filters

FullFlow D. E. Valve  
263011  
7-1.2 in. Centerline  
Filters

# PUSH PULL™ VALVE

## REPLACEMENT PARTS FOR AMERICAN VALVES

Item	Part No.	Description	US List	Can. List
<b>PUSH PULL VALVES</b>				
1	51013811	Valve stem complete, w/ handle	196.29	235.86
2	51013011	Nut	30.42	36.55
3	51013500	O-ring, nut	7.06	8.48
4	51013111	Reducer bushing, 2 in. male x 1-1/2 in.	29.52	35.47
5	6020006	O-ring, cap	0.05	0.06
6	51012911	Cap	29.52	35.47
8	51005000	O-ring, valve stem, 2 in., 2 req.	7.84	9.42
9	273062	O-ring, bulkhead, 8 in. model only	1.82	2.19
10	51013500	O-ring, bulkhead, 8 in. model only	7.06	8.48
11	274494	O-ring, bulkhead, 7-1/2 in. model only	5.46	6.56

Both items 9 and 10 are included in the kit for multiple applications. Choose only the one set appropriate for your application.

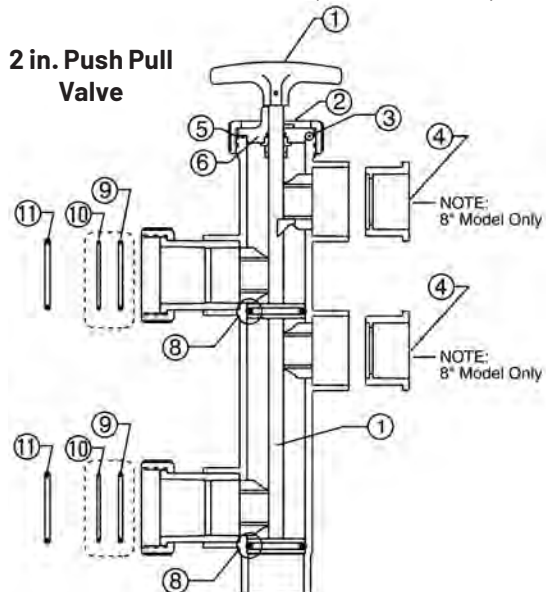
CALIFORNIA PROPOSITION 65 WARNING

⚠ **WARNING:** Cancer and Reproductive Harm.  
 ⚠ **AVERTISSEMENT:** Peut Causer le Cancer et des Dommages au Système Reproducteur.  
 ⚠ **ADVERTENCIA:** Cáncer y Daño Reproductivo.  
[www.p65warnings.ca.gov](http://www.p65warnings.ca.gov)

### MODELS

263064 (7-1/2 in. centerline)  
50290211 (8 in. centerline)

2 in. Push Pull Valve

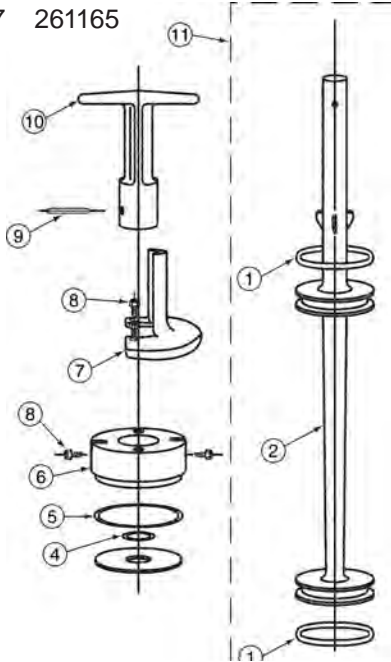


Product on page 268.

## 2 IN. PVC SLIDE VALVE

### REPLACEMENT PARTS FOR SLIDE VALVES

**MODELS**  
261047 261165

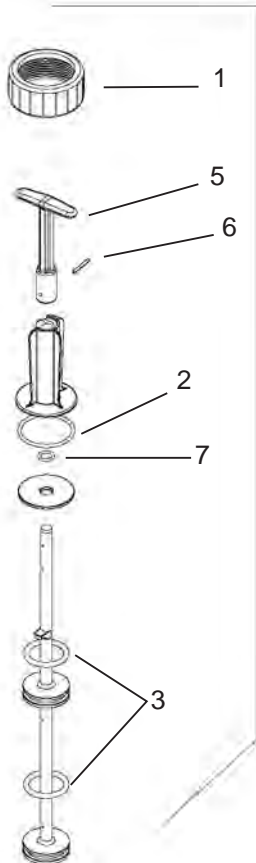


Item	Part No.	Description	US List	Can. List
<b>2 IN. PVC SLIDE VALVE</b>				
1	273090	O-ring - 1-1/2 in. i.d. x 3/16 in. dia., 2 req.	2.96	3.56
2	273106	Piston Shaft	115.43	138.70
4	JV18	O-ring Kit	1.25	1.50
5	273062	O-ring - 2-1/8 in. i. d. x 1/8 in. dia.	1.82	2.19
6	273077	Plug - 5/8 in. i.d. x 2-3/8 in. o.d.	6.73	8.09
7	273064	Position Bracket	36.05	43.32
8	273071	Screw - #14 - 18-8 s/s, 4 req.	1.94	2.33
9	273063	Pin - 1/8 in. dia. x 1-1/8 in. long s/s.	3.29	3.95
10	273089	Handle for plastic shaft - 5/8 in. i.d.	19.16	23.02
11	273241Z	Piston rod assy.	108.41	130.27
<b>NOT SHOWN</b>				
	154566	Sight glass - 2 in. clear	16.91	20.32

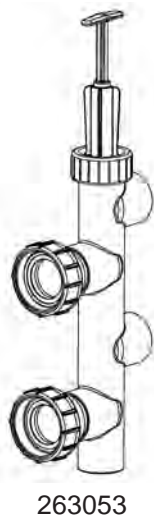
CALIFORNIA PROPOSITION 65 WARNING  
 ⚠️ **WARNING:** Cancer and Reproductive Harm.  
 ⚠️ **AVERTISSEMENT:** Peut Causer le Cancer et des Dommages au Système Reproducteur.  
 ⚠️ **ADVERTENCIA:** Cáncer y Daño Reproductivo.  
[www.p65warnings.ca.gov](http://www.p65warnings.ca.gov) PN 200714

## SLIDE VALVES

### REPLACEMENT PARTS FOR SLIDE VALVES



**MODELS**  
263064  
263052 263078  
263053 263079



Item	Part No.	Description	US List	Can. List
<b>SLIDE VALVE</b>				
1	270141	Nut, Black SF PMP/VLV PSHPL	22.05	26.50
2	273062	O-ring	1.82	2.19
3	51005000	O-ring	7.84	9.42
4	263055	Kit, Piston Shaft Assembly	119.38	143.45
5	270134	Handle	19.17	23.03
6	273063	Pin	3.29	3.95
7	6020006	O-ring	0.05	0.06
<b>NOT SHOWN</b>				
	263054	Kit, O-rings. Includes all valve O-rings.	23.57	28.32

CALIFORNIA PROPOSITION 65 WARNING  
 ⚠️ **WARNING:** Cancer and Reproductive Harm.  
 ⚠️ **AVERTISSEMENT:** Peut Causer le Cancer et des Dommages au Système Reproducteur.  
 ⚠️ **ADVERTENCIA:** Cáncer y Daño Reproductivo.  
[www.p65warnings.ca.gov](http://www.p65warnings.ca.gov) PN 200714

Product on pages 268 and 271.

# PLASTIC SLIDE VALVE

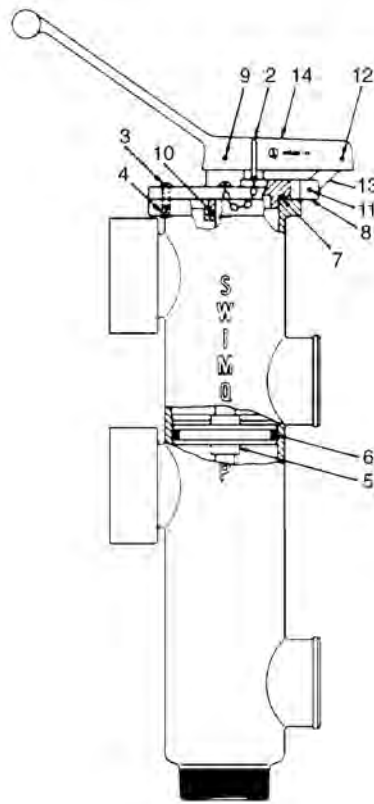
## REPLACEMENT PARTS FOR STA-RITE PLASTIC SLIDE VALVE



**MODEL**

WC212-134P

14936-0000



Item	Part No.	Description	US List	Can. List
<b>PLASTIC SLIDE VALVE</b>				
2	WC30-84	Lock Pin Assembly	17.52	21.05
3	37107-0085	Screw	4.94	5.94
4	34302-0518	Brass Insert	2.89	3.47
5	14930-0033	Piston Assembly	174.01	209.09
6	35505-1318	O-Ring	5.75	6.91
7	35505-1246	O-Ring	4.94	5.94
8	14930-0012	Index Plate	35.66	42.85
9	51009500	Spring Pin	CALL	CALL
10	35505-1116	O-Ring	4.44	5.34
11	51009500	Spring Pin	CALL	CALL
12	35817-0056	Spring Pin	4.94	5.94
13	14930-0016	Lever Linkage	4.55	5.47
14	14930-0014	Handle	109.85	132.00

CALIFORNIA PROPOSITION 65 WARNING

⚠ **WARNING:** Cancer and Reproductive Harm.  
 ⚠ **AVERTISSEMENT:** Peut Causer le Cancer et des Dommages au Système Reproducteur.  
 ⚠ **ADVERTENCIA:** Cáncer y Daño Reproductivo.  
[www.p65warnings.ca.gov](http://www.p65warnings.ca.gov)

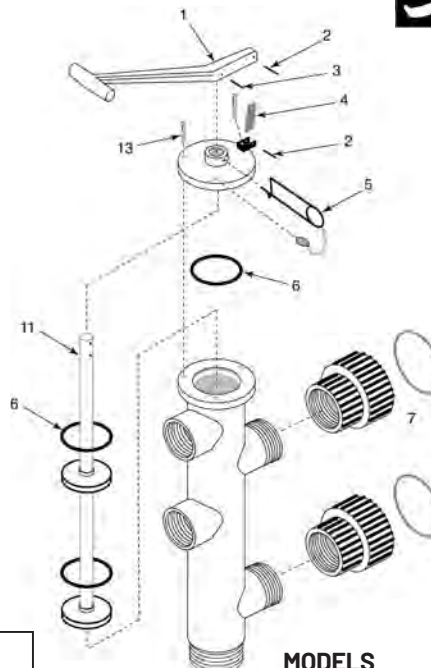


# BRONZE VALVES

## REPLACEMENT PARTS FOR STA-RITE VALVES



Item	Part No.	Description	US List	Can. List
<b>BRONZE VALVE</b>				
1	14821-0005	Lever Handle	72.20	86.76
2	35817-0056	Spring Pin	4.94	5.94
3	51009500	Spring Pin	CALL	CALL
4	14821-0008	Linkage	9.86	11.85
5	WC30-84	Lock Pin Assembly	17.52	21.05
6	35505-1401	O-Ring	6.15	7.39
7	77703-0100	Union Kit	52.37	62.93
8	38405-4089	Union Adapter	CALL	CALL
11	14819-0011	Piston Assembly, 1-1/2 in.	174.01	209.09
11	14823-0011	Piston Assembly, 2 in.	197.54	237.36
13	37062-0130	Screw	4.94	5.94
<b>NOT SHOWN</b>				
	35505-1116	O-Ring	4.44	5.34



### MODELS

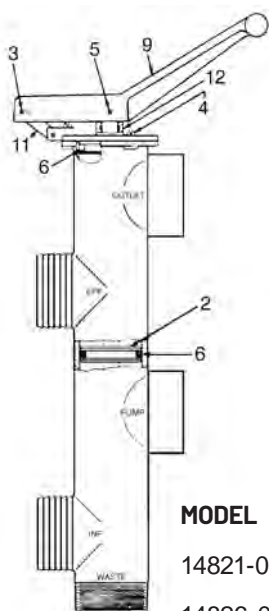
WC212-135D – 1-1/2 in.

WC212-136D – 2 in.

CALIFORNIA PROPOSITION 65 WARNING  
 ⚠️ **WARNING:** Cancer and Reproductive Harm.  
 ⚠️ **AVERTISSEMENT:** Peut Causer le Cancer et des Dommages au Système Reproducteur.  
 ⚠️ **ADVERTENCIA:** Cáncer y Daño Reproductivo.  
[www.p65warnings.ca.gov](http://www.p65warnings.ca.gov)

# BRONZE SLIDE VALVES

## REPLACEMENT PARTS FOR STA-RITE VALVES



### MODEL

14821-0000 – 1-1/2 in.

14826-0000 – 2 in.

Item	Part No.	Description	US List	Can. List
<b>BRONZE SLIDE VALVE</b>				
2	14819-0011	Piston Assembly with O-Rings	174.01	209.09
3	35817-0056	Spring Pin	4.94	5.94
4	37062-0130	Screw	4.94	5.94
5	51009500	Spring Pin	CALL	CALL
6	35505-1401	O-Ring (Model 14821-6000)	6.15	7.39
6	35505-1313	O-Ring	5.20	6.25
9	14821-0005	Level Handle	72.20	86.76
11	14821-0008	Linkage	9.86	11.85
12	35505-1116	O-Ring	4.44	5.34

CALIFORNIA PROPOSITION 65 WARNING  
 ⚠️ **WARNING:** Cancer and Reproductive Harm.  
 ⚠️ **AVERTISSEMENT:** Peut Causer le Cancer et des Dommages au Système Reproducteur.  
 ⚠️ **ADVERTENCIA:** Cáncer y Daño Reproductivo.  
[www.p65warnings.ca.gov](http://www.p65warnings.ca.gov)

