

NORTHFLO

POOL EQUIPMENT

SWIMMING POOL HEAT PUMP UNIT

Installation & Instruction Manual

Model **HP50NF**
 HP65NF
 HP80NF



CONTENTS

1. Preface	1
<hr/>	
2. Specifications	2
2.1 Performance Data of Swimming Pool Heat Pump Unit	2
2.2 Dimensions for Swimming Pool Heat Pump Unit	3
<hr/>	
3. Installation and Connection	6
3.1 Installation of System	6
3.2 Swimming Pool Heat Pumps Location	7
3.3 How Close to Your Pool?	7
3.4 Swimming Pool Heat Pumps Plumbing	8
3.5 Swimming Pool Heat Pumps Electrical Wiring	9
3.6 Initial Start-up of the Unit	9
<hr/>	
4. Usage and Operation	10
4.1 Function of the controller	10
4.2 Usage of the controller	11
4.3 Parameter table	13
4.4 Multifunction table	14
<hr/>	
5. Maintenance and Inspection	15
5.1 Maintenance and inspection	15
5.2 Winterization	15
<hr/>	
6. Appendix	16
6.1 Connection of PCB: Illustration	16
6.2 Wiring Diagram	17
6.3 Exploded View and Spare Parts List	20
6.4 Caution & Warning	26
6.5 Cable specification	27
6.6 Warranty	28

1. PREFACE

- In order to provide our customers with quality, reliability and versatility, this product has been made to strict production standards. This manual includes all the necessary information about installation, debugging, discharging and maintenance. Please read this manual carefully before you open or maintain the unit. The manufacture of this product will not be held responsible if someone is injured or the unit is damaged, as a result of improper installation, debugging, or unnecessary maintenance. It is vital that the instructions within this manual are adhered to at all times. The unit must be installed by qualified personnel.
- The unit can only be repaired by qualified installer centre, personnel or an authorised dealer.
- Maintenance and operation must be carried out according to the recommended time and frequency, as stated in this manual.
- Use genuine standard spare parts only.
Failure to comply with these recommendations will invalidate the warranty.
- Swimming Pool Heat Pump Unit heats the swimming pool water and keeps the temperature constant. For split type unit, The indoor unit can be Discretely hidden or semi-hidden to suit a luxury house.

Our heat pump has following characteristics:

1 Durable

The heat exchanger is made of PVC & Titanium tube which can withstand prolonged exposure to swimming pool water.

2 Installation flexibility

The unit must be installed outdoors.

3 Quiet operation

The unit comprises an efficient rotary/ scroll compressor and a low-noise fan motor, which guarantees its quiet operation.

4 Advanced controlling

The unit includes micro-computer controlling, allowing all operation parameters to be set. Operation status can be displayed on the LCD wire controller. Remote controller can be chosen as future option.

2.SPECIFICATION

2.1 Performance data of Swimming Pool Heat Pump Unit

- REFRIGERANT : R410A

Unit	Model	HP50NF	HP65NF	HP80NF
Heating Power Input	kW	2.68	3.2	3.6
Running Current	A	12	15.5	17.5
Power Supply	V/Hz	208-230V ~ /60Hz	208-230V ~ /60Hz	208-230V ~ /60Hz
Compressor Quantity		1	1	1
Compressor		rotary	scroll	scroll
Fan Quantity		1	1	1
Fan Power Input	W	120	180	180
Fan Rotate Speed	RPM	850	850	850
Fan Direction		horizontal	horizontal	horizontal
Noise	dB(A)	54	56	56
Water Connection	inch	1.5	1.5	1.5
Water Flow Volume Imperial/US	m ³ /h/ gpm	4.5/19.8	4.5/30.0	8.18/36
Water Pressure Drop(max)	kPa/ psi	10/1.45	10/1.45	10/1.45
Unit Net Dimensions(L/W/H)	mm/ inch	1049×455×658 41.3×17.9×25.9	956×360×600 37.6×14.2×23.6	1115×450×868 43.9×17.7×34.2
Unit Shipping Dimensions(L/W/H)	mm/ inch	1130×470×680 44.5×18.5×26.8	1210×510×880 47.6×20.1×34.6	1210×510×880 47.6×20.1×34.6
Net Weight	kg	See nameplate		
Shipping Weight	kg	See package label		

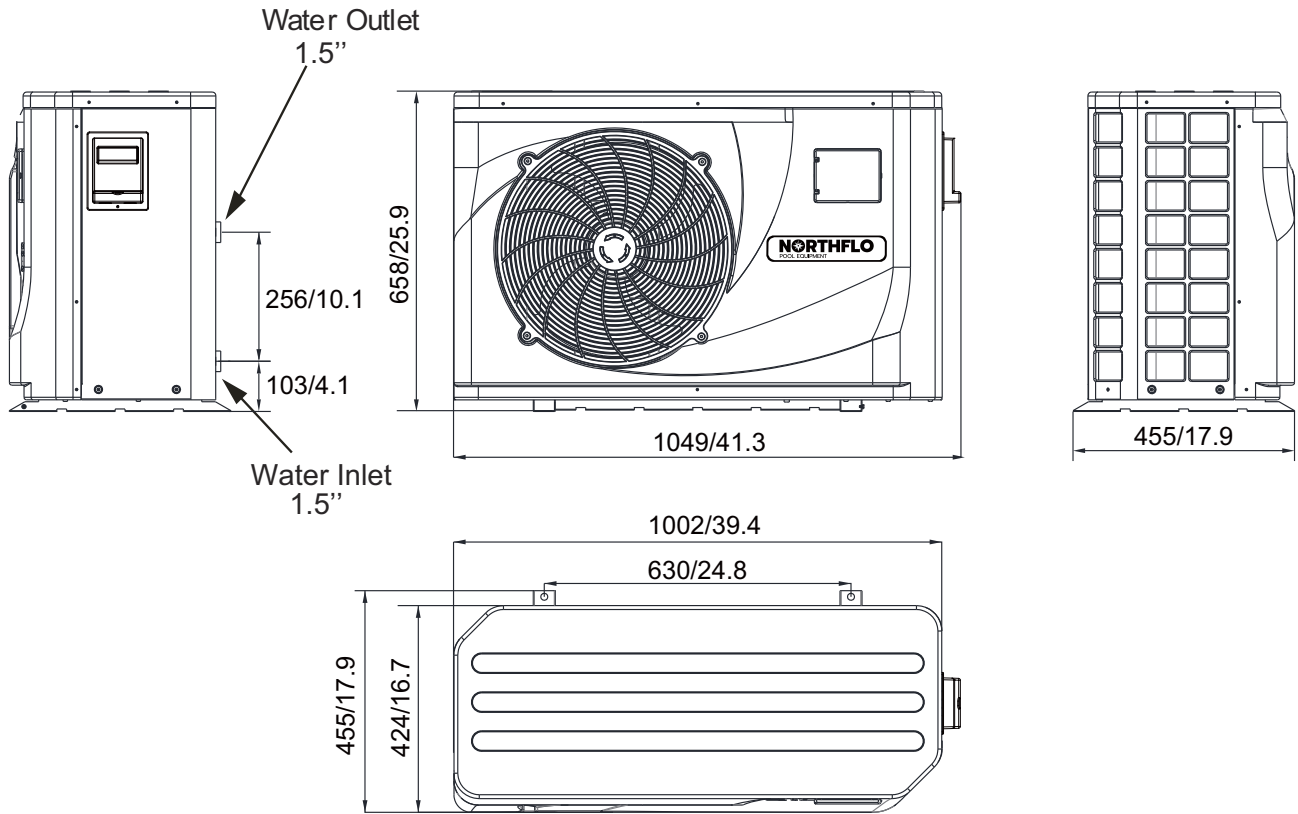
Heating: Ambient Temperature (BS / BM):26.7°C (80°F) / 24.3°C (75.8°F);
 Water temperature (inlet / outlet):26.7°C (80°F) / 28°C (92°F).

2.SPECIFICATION

2.2 The dimensions for Swimming Pool Heat Pump Unit

HP50NF

Unit:mm/inch

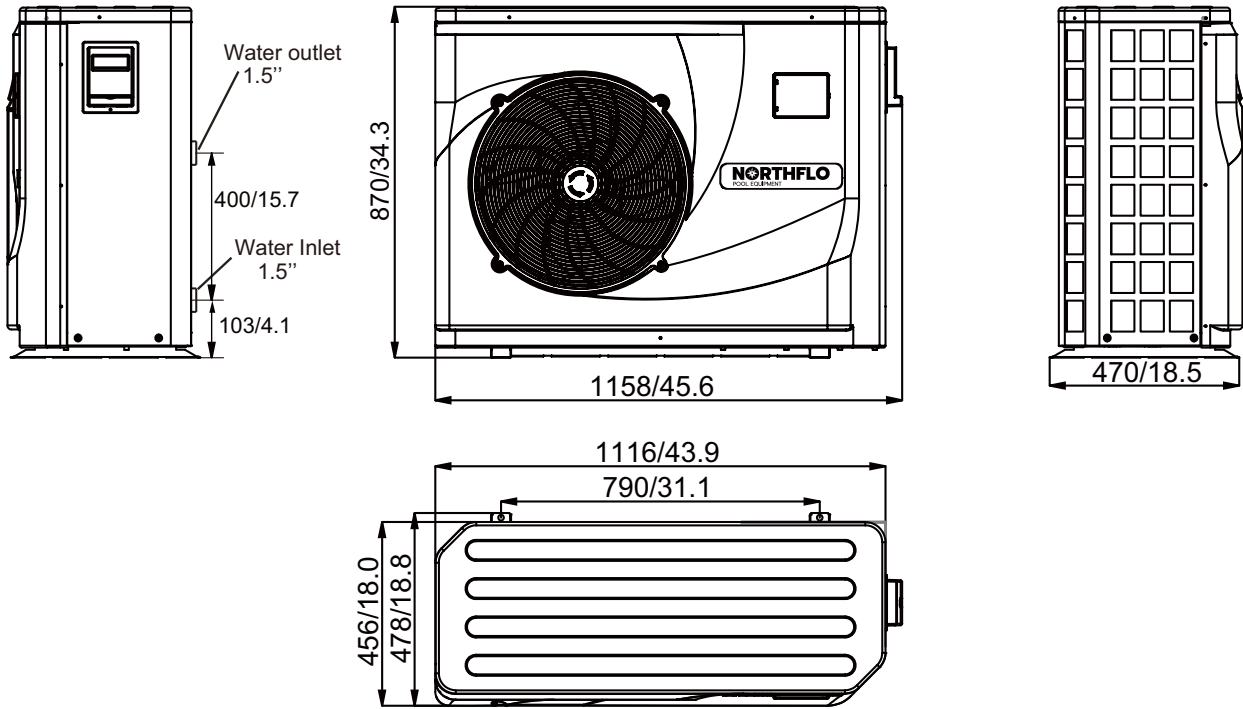


2.SPECIFICATION

2.2 The dimensions for Swimming Pool Heat Pump Unit

HP65NF

Unit:mm/inch

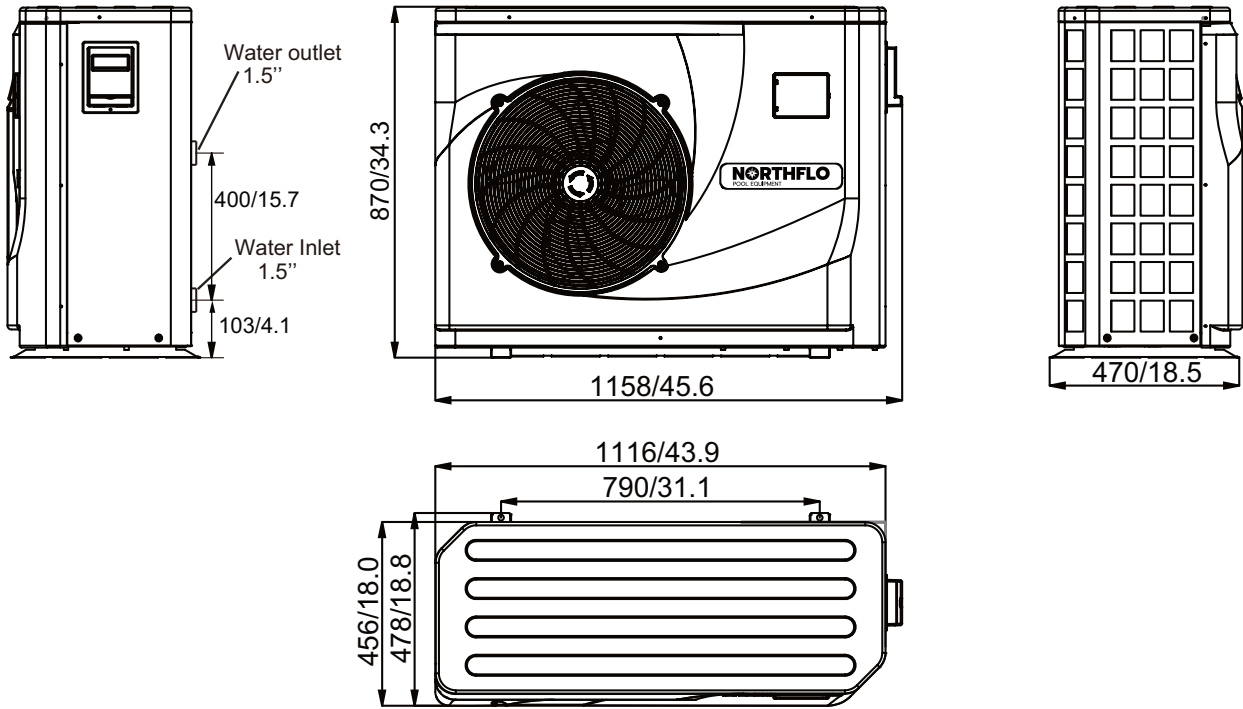


2.SPECIFICATION

2.2 The dimensions for Swimming Pool Heat Pump Unit

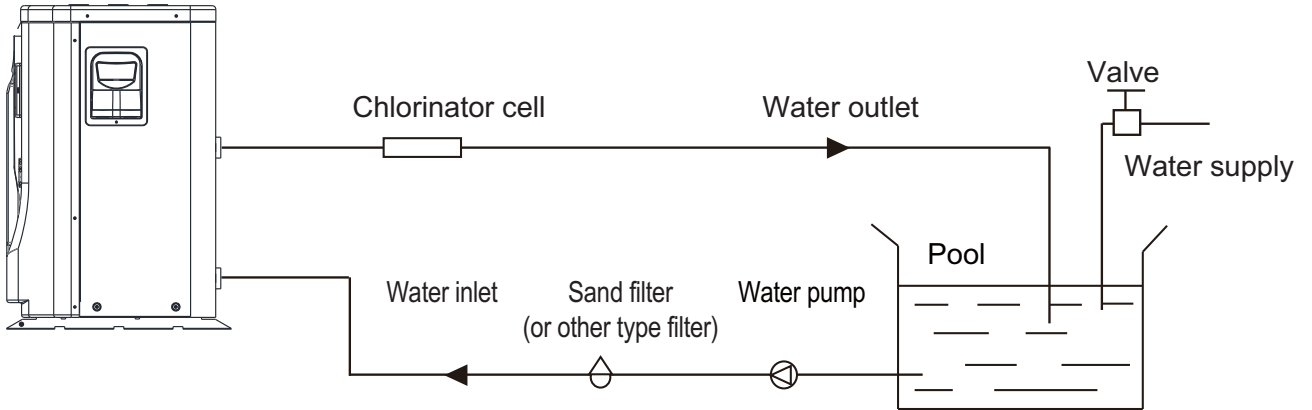
HP80NF

Unit:mm/inch



3.INSTALLATION AND CONNECTION

3.1 Installation illustration



Installation items:

The factory only provides the main unit and the water unit; the other items in the illustration are necessary spare parts for the water system, that provided by users or the installer.

Attention:

Please follow these steps when using for the first time

1. Open valve and charge water.
2. Make sure that the pump and the water-in pipe have been filled with water.
3. Close the valve and start the unit.

The schematic diagram is for reference only. Please check the water inlet/outlet label on the heat pump while plumbing installation.

3.INSTALLATION AND CONNECTION

3.2 Swimming Pool Heat Pumps Location

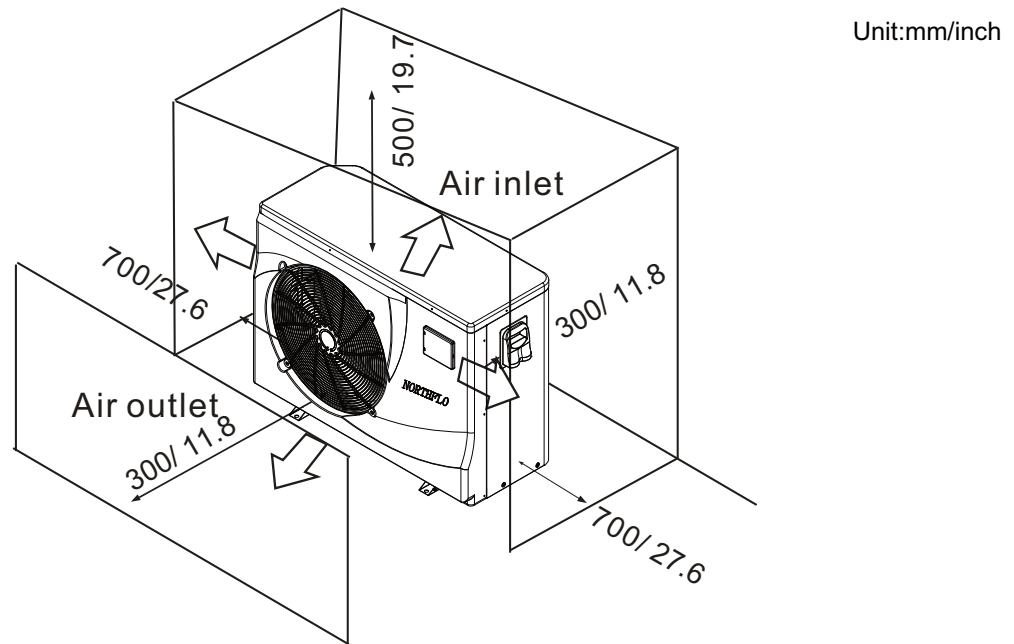
The unit will perform well in any outdoor location provided that the following three factors are presented:

1. Fresh Air - 2. Electricity - 3. Pool filter piping

The unit may be installed virtually anywhere outdoors. For indoor pools please consult the supplier. Unlike a gas heater, it has no draft or pilot light problem in a windy area.

DO NOT place the unit in an enclosed area with a limited air volume, where the units discharge air will be re-circulated.

DO NOT place the unit to shrubs which can block air inlet. These locations deny the unit of a continuous source of fresh air which reduces it efficiency and may prevent adequate heat delivery.



3.3 How Close To Your Pool?

Normally, the pool heat pump is installed within 7.5 metres of the pool. The longer the distance from the pool, the greater the heat loss from the piping. For the most part, the piping is buried. Therefore, the heat loss is minimal for runs of up to 15 meters (15 meters to and from the pump = 30 meters total), unless the ground is wet or the water table is high. A very rough estimate of heat loss per 30 meters is 0.6 kW-hour, (2000BTU) for every 5 difference in temperature between the pool water and the ground surrounding the pipe, which translates to about 3% to 5% increase in run time.

3.INSTALLATION AND CONNECTION

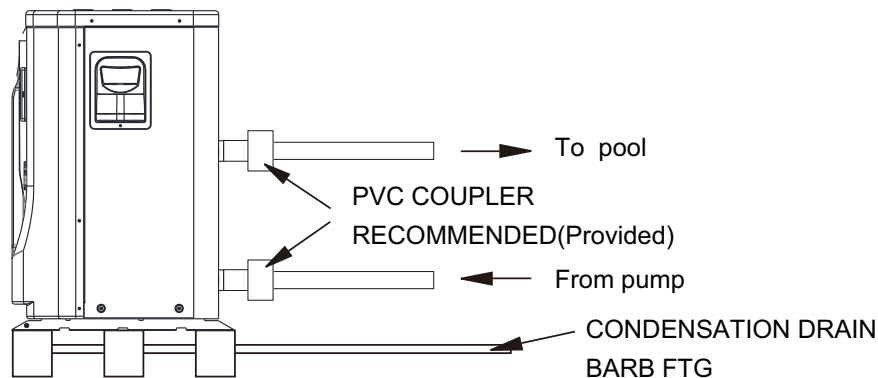
3.4 Swimming Pool Heat Pumps Plumbing

The Swimming Pool Heat Pumps exclusive rated flow titanium heat exchanger requires no special plumbing arrangements except bypass(please set the flow rate according to the nameplate). The water pressure drop is less than 10kPa at max. Flow rate. Since there is no residual heat or flame Temperatures, The unit does not need copper heat sink piping. PVC pipe can be run straight into the unit.

Location: Connect the unit in the pool pump discharge (return) line downstream of all filter and pool pumps, and upstream of any chlorinators, ozonators or chemical pumps.

Standard model have slip glue fittings which accept 32mm or 50 mm PVC pipe for connection to the pool or spa filtration piping. By using a 50 NB to 40NB you can plumb 40NB

Give serious consideration to adding a quick coupler fitting at the unit inlet and outlet to allow easy draining of unit for winterizing and to provide easier access should servicing be required.



Condensation: Since the Heat pump cools down the air about 4 -5 °C, water may condense on the fins of the horseshoe shaped evaporator. If the relative humidity is very high, this could be as much as several litres an hour. The water will run down the fins into the basepan and drain out through the barbed plastic condensation drain fitting on the side of the basepan. This fitting is designed to accept 20mm clear vinyl tubing which can be pushed on by hand and run to a suitable drain. It is easy to mistake the condensation for a water leak inside the unit.

NB: A quick way to verify that the water is condensation is to shut off the unit and keep the pool pump running. If the water stops running out of the basepan, it is condensation. AN EVEN QUICKER WAY IS to TEST THE DRAIN WATER FOR CHLORINE - if there is no chlorine present, then it's condensation.

3.INSTALLATION AND CONNECTION

3.5 Swimming Pool Heat Pumps Electrical Wiring

NOTE: Although the unit heat exchanger is electrically isolated from the rest of the unit, it simply prevents the flow of electricity to or from the pool water. Grounding the unit is still required to protect you against short circuits inside the unit. Bonding is also required.

The unit has a separate molded-in junction box with a standard electrical conduit nipple already in place. Just remove the screws and the front panel, feed your supply lines in through the conduit nipple and wire-nut the electric supply wires to the three connections already in the junction box (four connections if three phase). To complete electrical hookup, connect Heat Pump by electrical conduit, UF cable or other suitable means as specified (as permitted by local electrical authorities) to a dedicated AC power supply branch circuit equipped with the proper circuit breaker, disconnect or time delay fuse protection.

NOTICE: When GFCI breakers are required by installation codes, the product will operate satisfactorily when using a Siemens QFxxxA series GFCI breaker. This GFCI series breaker has been tested and found to not cause nuisance trips. GFCI nuisance trips are not covered under warranty.

Disconnect - A disconnect means (circuit breaker, fused or un-fused switch) should be located within sight of and readily accessible from the unit. This is common practice on commercial and residential air conditioners and heat pumps. It prevents remotely-energizing unattended equipment and permits turning off power at the unit while the unit is being serviced.

3.6 Initial startup of the Unit

NOTE- In order for the unit to heat the pool or spa, the filter pump must be running to circulate water through the heat exchanger.

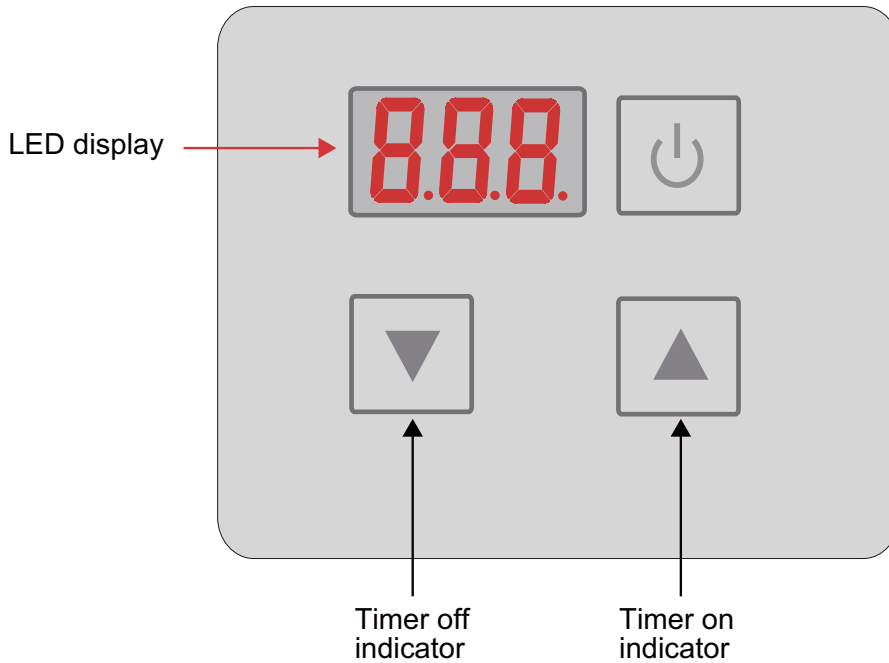
Start up Procedure - After installation is completed, you should follow these steps:

1. Turn on your filter pump. Check for water leaks and verify flow to and from the pool.
2. Turn on the electrical power supply to the unit, then press the key ON/OFF of wire controller, It should start in several seconds.
3. After running a few minutes make sure the air leaving the top(side) of the unit is cooler (Between 5-10)
4. With the unit operating turn the filter pump off. The unit should also turn off automatically,
5. Allow the unit and pool pump to run 24 hours per day until desired pool water emperature is reached. When the water-in temperature reach setting, The unit just shuts off. The unit will now automatically restart (as long as your pool pump is running) when the pool temperature drops more than 2 below set temperature.

Time Delay- The unit is equipped with a 3 minute built-in solid state restart delay included to protect control circuit components and to eliminate restart cycling and contactor chatter. This time delay will automatically restart the unit approximately 3 minutes after each control circuit interruption. Even a brief power interruption will activate the solid state 3 minute restart delay and prevent the unit from starting until the 5 minute countdown is completed. Power interruptions during the delay period will have no effect on the 3 minute countdown.

4. USAGE

4.1. Function of wire controller




Key	Key name	Key function
⏻	ON/OFF	Press this key to turn on/off the unit
▲	Up	Press this key to select the upward option or increase the parameter value.
▼	Down	Press this key to select the downward option or decrease the parameter value.

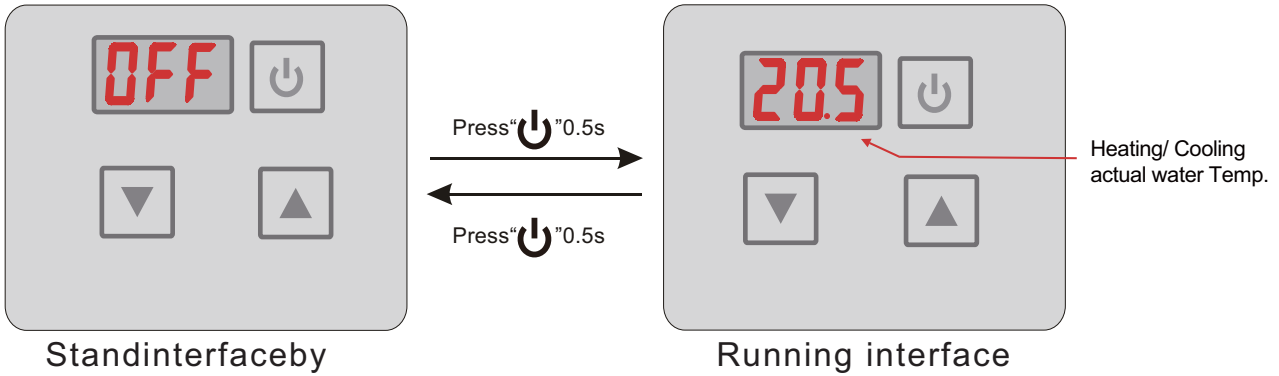
4. USAGE

4.2. Usage of wire controller



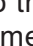
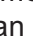


4.2.1 Turn ON/OFF the unit

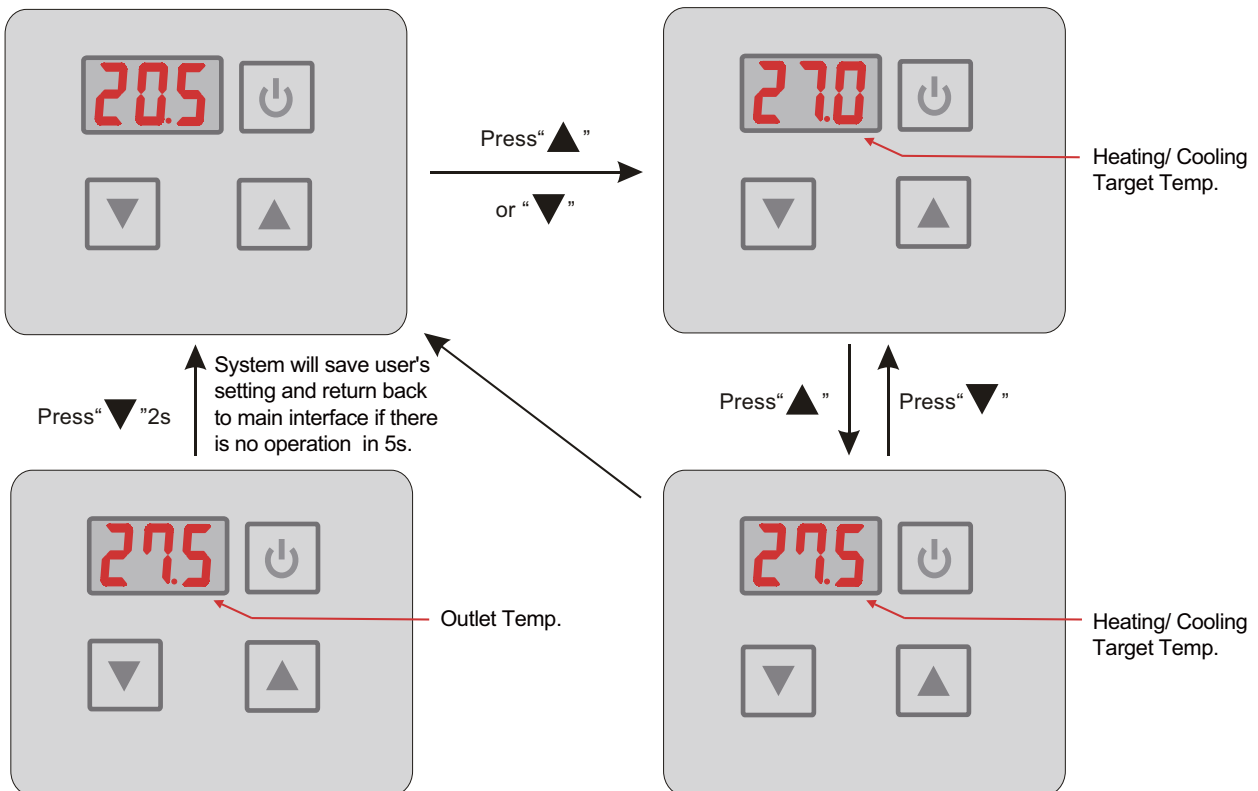
When the unit is off, press the key “”0.5s to turned on the unit;

When the unit is on, press the key “”0.5s to show down the unit.



4.2.2 Setting temperature

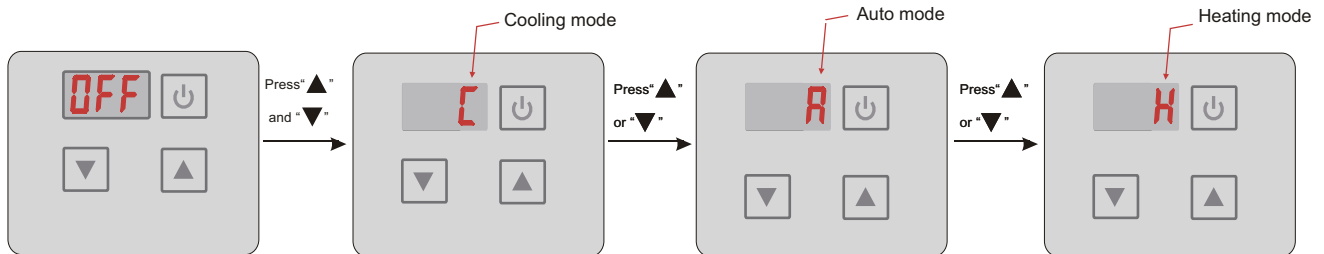
In the running interface , press “” or “” then the current mode target-temperature flashes, then press “” to increase the temp.value, or press “” to decrease it. Press “” will not save setting parameter but back to the main interface; Attention : If there is no operation for 5s , system would remember parameter setting and back to the main interface. In the main interface , press “” for 2s you can see the outlet temp.The parameter is then flashed and the display is back to the main interface after 10s.



4. USAGE

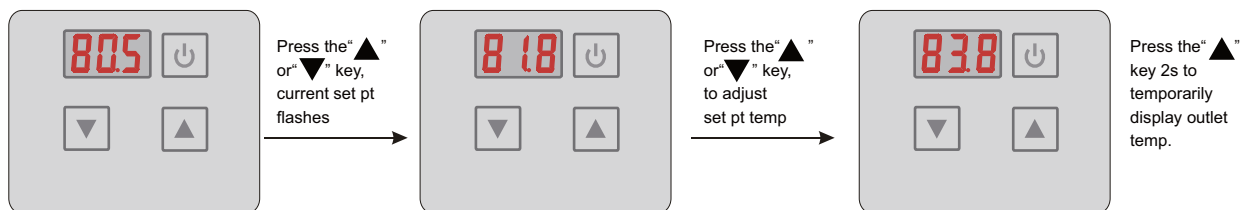
4.2.3 Mode switch

In the main interface, press “▲” and “▼” for 0.5s can set the mode, press “▲” or “▼” to change the current mode, you can switch different modes of colling, heating and auto mode. If there is no operation for 5s system will save the current mode and back to the main interface, press “⏻” can not save setting. (The modes switching is useless of the unit you buy is singel-cold/single-heat unit.)

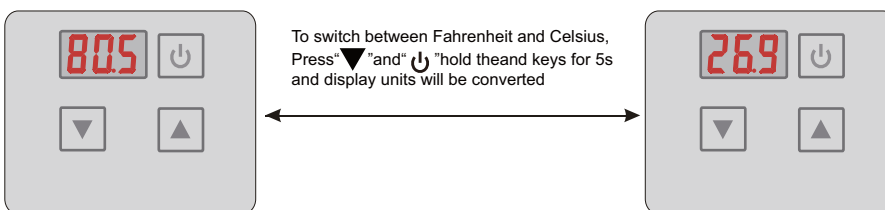


4.2.4 Setting/ Displaying Temperatures

When unit is operating, press either “▲” or “▼” and the current temperature set point flashes. Then press either “▲” or “▼” to increase or decrease the temperature set point. Pressing will cancel the change and return operation to the original temperature display mode. To save the new temperature set point, do not press a key for 5s and the displayed value will be saved and operation will return to temperature display mode. To view the outlet temperature while in the temperature display mode press and hold “▲” for 2s. The outlet temperature is temporarily displayed, and then the display is returned to temperature display mode.



Fahrenheit and Celsius Setting:



4.2.5 Keyboard lock

To avoid mis-operations, please lock the controller after parameter setting.

At the main interface, pressing “⏻” for 5 seconds, when hearing one sound, the keyboard is locked.

When the keyboard is locked, pressing “⏻” for 5 seconds, when hearing one sound, the keyboard lock is open.

NOTES: When the unit is in alarming state, the key lock can be removed automaticly.

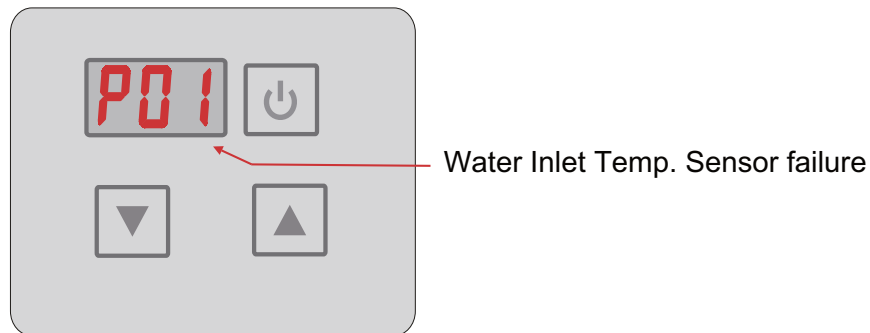
4. USAGE

4.2.6 Malfunction display

There will be malfunction code showing on the controller screen when relative malfunction occurs.

If there are more than one malfunctions occurs at the same time, you can check the current error codes list by pressing “▲” or “▼” key.

You can refer to the malfunction table to find out the failure cause and solution. For example :



4.3. Parameter table

Meaning	Default	Remarks
Set-point of auto mode target temp.	27°C	Ajustable

- Remark:

The wire controller can display the temperature unit as " " or " " according to the unit Model you bought.

4. USAGE

4.4 Malfunction Table

The common failure cause and solution.

Malfunction	Display	Cause	Solution
Water inlet temp. Sensor failure	P01	The water inlet temp. Sensor is open or short circuit	Check or change the water inlet temp. Sensor
Water outlet temp. Sensor failure	P02	The water outlet temp. sensor is open or short circuit	Check or change the water outlet temp. Sensor
Ambient temp. Sensor failure	P04	The ambient temp. sensor is open or short circuit	Check or change the ambient temp. Sensor
Pipe temp. Sensor failure	P05	The pipe temp. sensor is open or short circuit	Check or change the pipe temp. Sensor
Evaporator temp. Sensor failure	P07	The evaporator temp. Sensor is open or short circuit	Check or change the evaporator temp. Sensor
High pressure protect	E01	The exhaust pressure is high , high pressure switch action	Check high pressure switch and cooling return circuit
Low pressure protect	E02	The suction pressure is low, Low pressure switch action	Check low pressure switch and cooling return circuit
Flow switch failure	E03	No water or litter water in water system	Check the flow volume ,water pump is failure or not
Temp. is too much different between water-inlet and outlet	E06	Water flow volume not enough, Water system pressure difference is small	Check the flow volume,water system is jammed or not
Antifreezing under cooling mode	E07	Water flow volume not enough	Check the flow volume,water system is jammed or not
The primary anti-freezing protection start.	E19	Ambient temperature is too low	
The second anti-freezing protection start	E29	Ambient temperature is too low	
Communication failure	E08	Communication failure between remote wire controller and main board	Check the wire connection between remote wire controller and main board

5. MAINTENANCE AND INSPECTION

5.1 Maintenance and inspection

- Check the water supply device and the release often. You should avoid the condition of no water or air entering into system, as this will influence unit's performance and reliability. You should clear the pool/spa filter regularly to avoid damage to the unit as a result of the dirty or clogged filter.
- The area around the unit should be dry, clean and well ventilated. Clean the side heating exchanger regularly to maintain good heat exchange as conserve energy .
- The operation pressure of the refrigerant system should only be serviced by a certified technician.
- Check the power supply and cable connection often. Should the unit begin to operate abnormally, switch it off and contact the qualified technician.
- Discharge all water in the water pump and water system ,so that freezing of the water in the pump or water system does not occur. You should discharge the water at the bottom of water pump if the unit will not be used for an extended period of time. You should check the unit thoroughly and fill the system with water fully before using it for the first time after a prolonged period of no usage.

5.2 Winterization

The following winterization steps are important to prevent freeze damage.

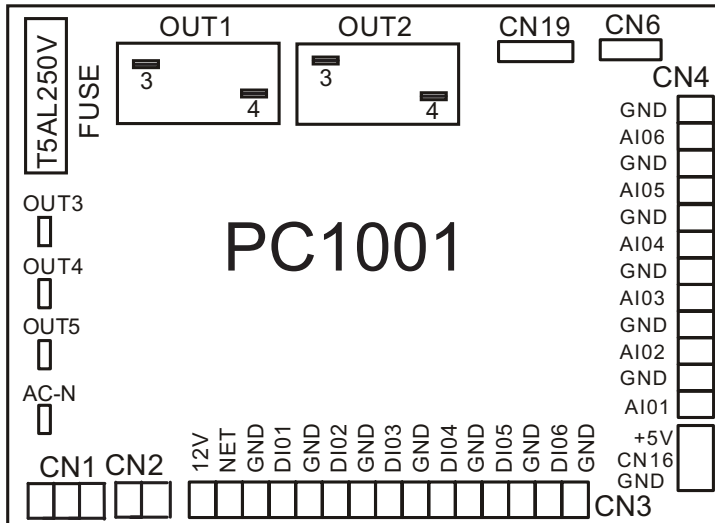
- Set the heat pump in "OFF" mode.
- Remove power to the heat pump.
- Drain the appliance of all its water:
 - Disconnect the water inlet and outlet connections.
 - Slightly tilt the unit so that the inlet and outlet pipes point towards the ground and allow water to drain completely.
 - Remove any remaining water using a "Shop Vac" style vacuum cleaner. Connect the exhaust side of the vacuum cleaner to the upper port (outlet) of the heat pump to push any remaining water that may be left inside.
- Do not reconnect the plumbing to the heat pump.
- Plug the water inlet and outlet to prevent intrusion of small animals or debris during winter.
- Do not wrap the heat pump with canvas or tarpaulin as some canvas can cause discoloration of the equipment. This can also trap moisture which can promote rusting of metal components.



A HEAT PUMP DAMAGED BY FREEZING IS NOT COVERED UNDER THE MANUFACTURER'S WARRANTY.

6.APPENDIX

6.1 Connection of PCB illustration

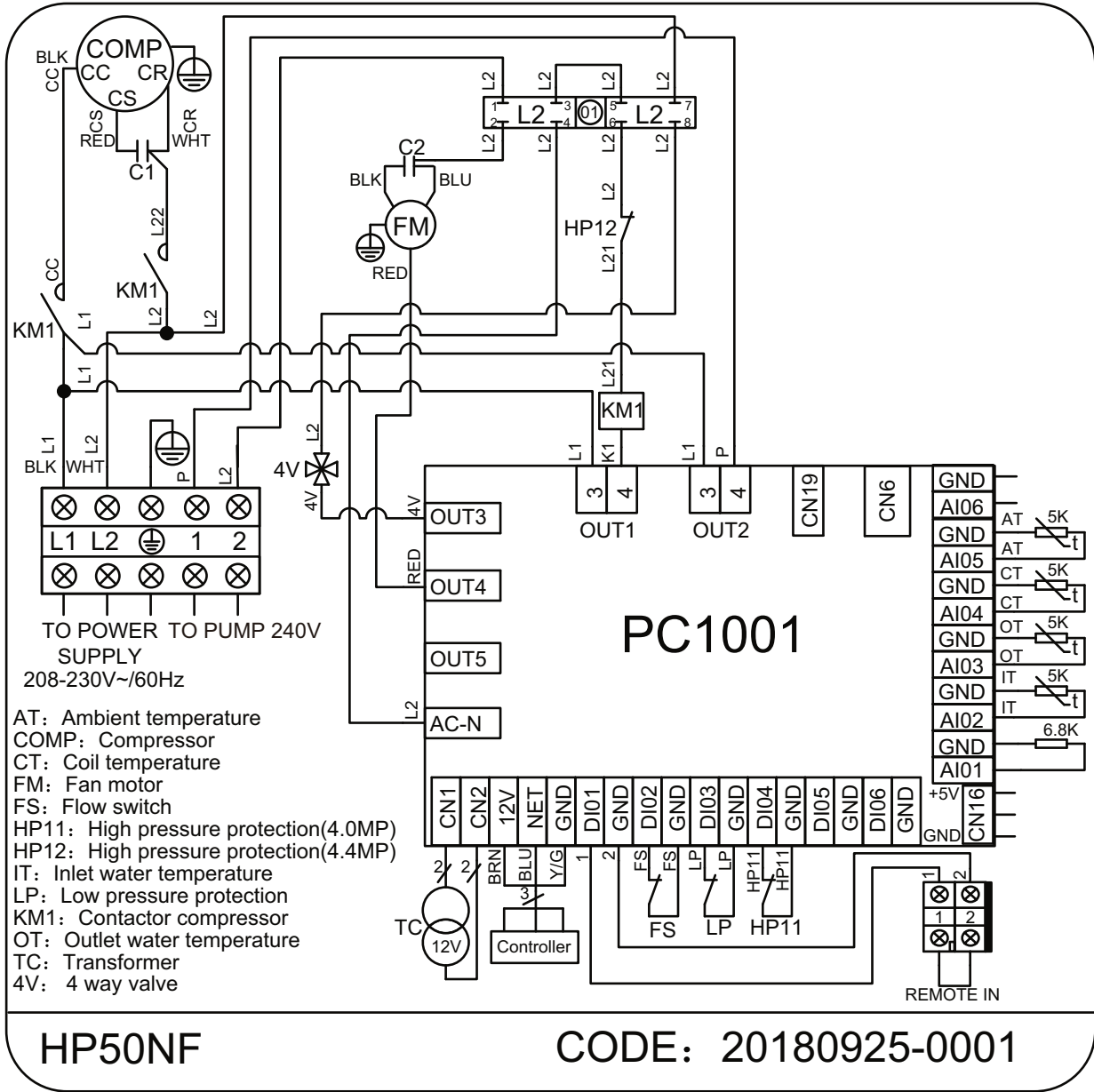


Connections explanation :

No.	Symbol	Meaning
1	OUT1	Compressor of system1 (220-230VAC)
2	OUT2	Water pump (220-230VAC)
3	OUT3	4way valve (220-230VAC)
4	OUT4	High speed of fan motor (220-230VAC)
5	OUT5	Low speed of fan motor (220-230VAC)
6	AC-N	Neutral wire
7	NET GND 12V	Wire controller
8	DI01 GND	On/Off Switch (input) (no use)
9	DI02 GND	Flow switch (input) (normal close)
10	DI03 GND	Low pressure protect
11	DI04 GND	High pressure protect
12	DI05 GND	No use
13	DI06 GND	No use
14	AI01 GND	Suction temp.(input)
15	AI02 GND	Water in temp.(input)
16	AI03 GND	Water out temp.(input)
17	AI04 GND	Coil Temp. (input)
18	AI05 GND	Ambient temp.(input)
19	AI06 GND	Ajustable fan speed/Exhaust temperature
20	CN1	Primary transformer
21	CN2	Secondary transformer
22	CN6	No use
23	CN19	Electronic expansion valve
24	5V CN16 GND	Flow meter

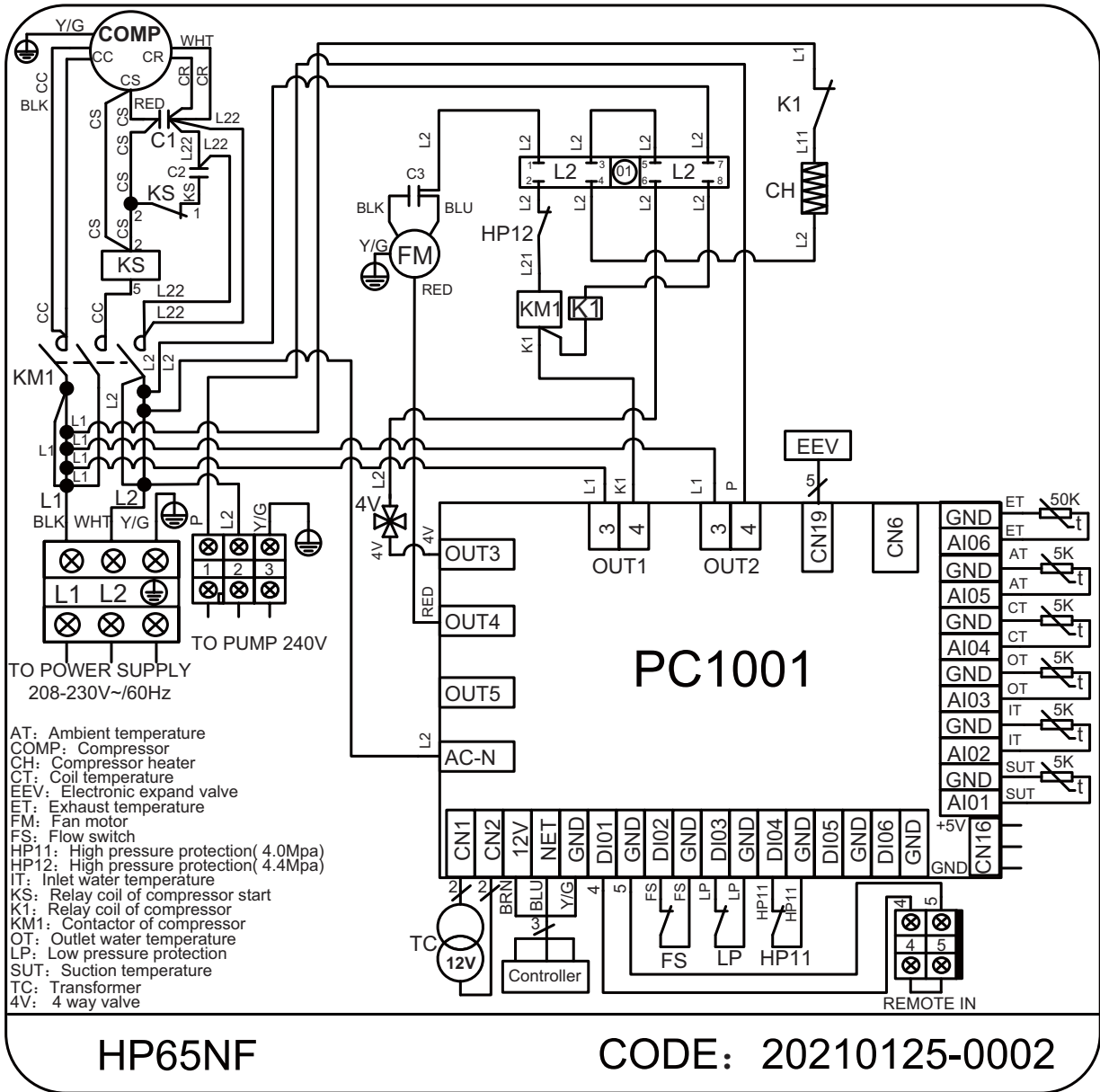
6.APPENDIX

6.2 Wiring Diagram



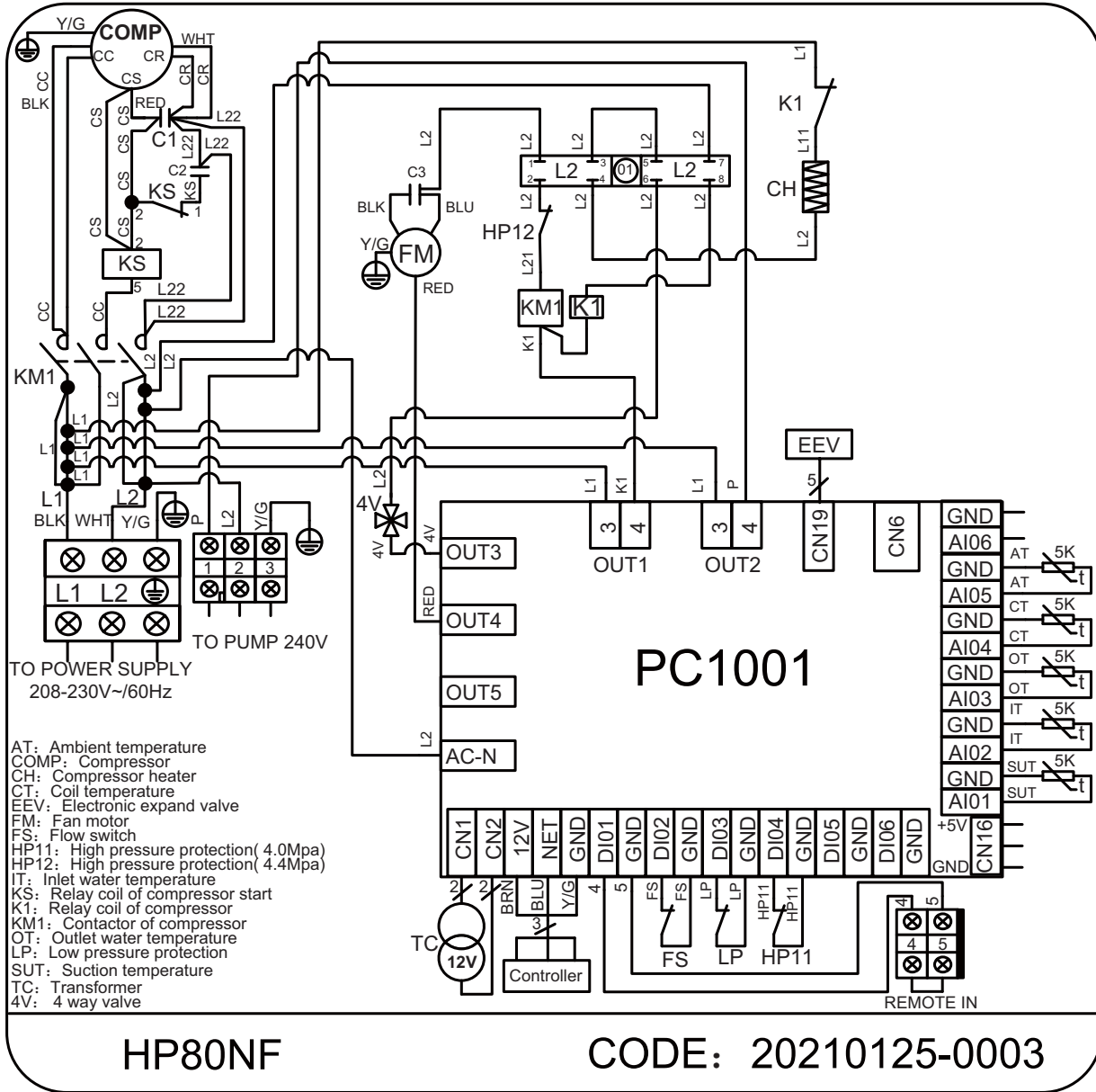
6.APPENDIX

6.2 Wiring Diagram



6.APPENDIX

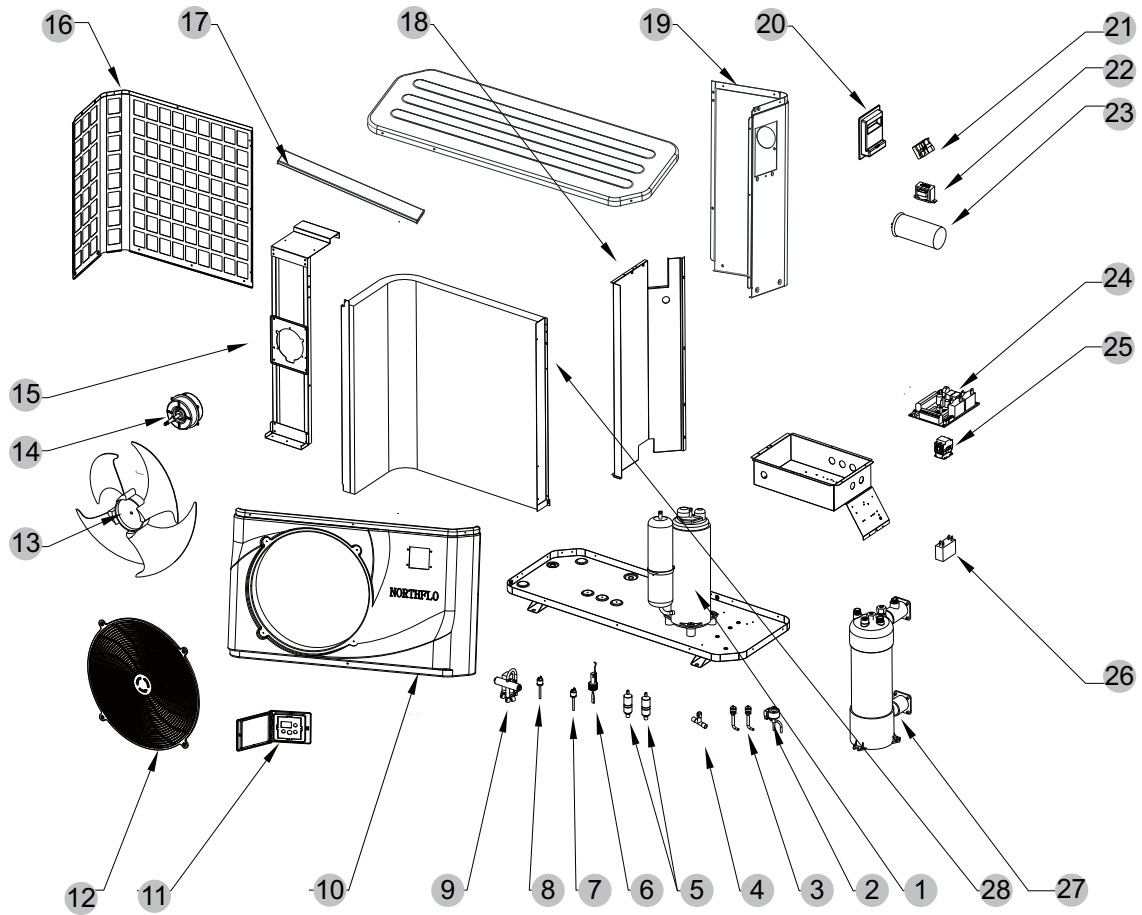
6.2 Wiring Diagram



6.APPENDIX

6.3 Exploded View(HP50NF)

(1) Complete machine structure explosion diagram



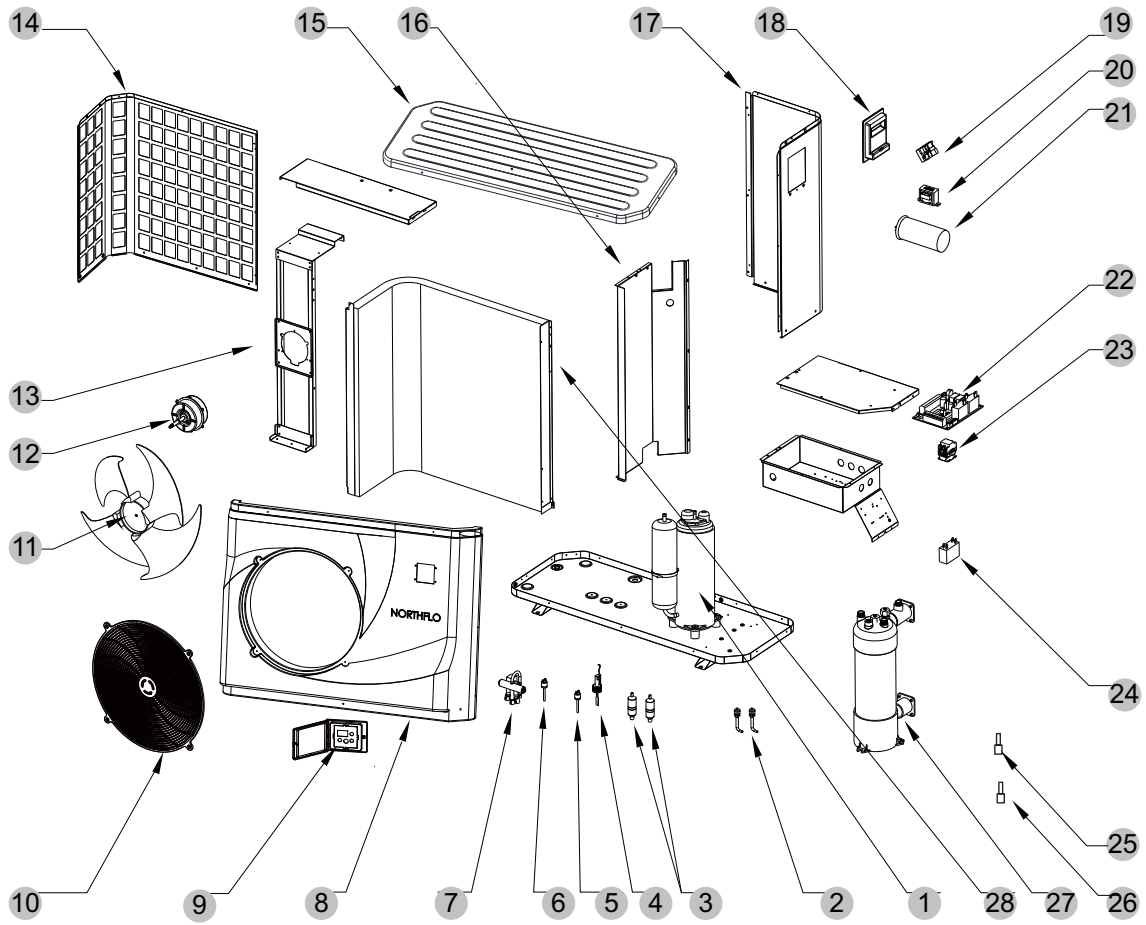
6.APPENDIX

(3) Spare Parts List

SN	HPX Code	Description	Specifications	Qty
1	HPX20000-110041	Compressor	C-SBP105H16A	1
2	HPX20000-140179	Electronic Expansion Valve	DPF(Q)2.2C-05	1
3	HPX20000-140353	Check valve	70mm 1/2"	2
4	HPX2000-1460	3-way inlet valve	Φ6.5-2×Φ6.5(T)×0.75 T2M	2
5	HPX2004-1444	Filter	Φ9.7-Φ9.7 (Φ28) T2Y2	2
6	HPX20000-360005	Water Flow switch	PSL-1 3/4	1
7	HPX2000-3603	Pressure switch	0.30MPa/0.15MPa ±0.05	1
8	HPX20000-360059	Pressure switch	3.2MPa/4.0MPa ±0.15	1
9	HPX20000-140485	4-way vlave	DSF-11E-1030	1
10	HPX80901132	Front panel	ABS	1
11	HPX26300202	LED207 Wire controller	82300029+82400226	1
12	HPX20000-220188	Plastic fan net	Φ507 ABS+30%GF	1
13	HPX3500-2701	Axial flow fan	Φ440×147-Φ12(10)×4	1
14	HPX20000-330124	Axial motor	YDK45-6(YV060-1206P01-004)	1
15	HPX32012-210229	Fan Motor bracket	Galvanized sheet	1
16	HPX32012-210507	Back net	Galvanized sheet	1
17	HPX32012-210225	Support plate	Galvanized sheet	1
18	HPX32012-210424	The top	ABS	1
19	HPX80711854	Right panel	Galvanized sheet	1
20	HPX20000-220284	The junction box body	ABS	1
21	HPX2000-3909	Two terminal blocks	RS9211(450V~ 4mm2)	1
22	HPX20000-370003	Transformer	EI48-1201000+(VH-3)、(VH-2)	1
23	HPX2000-3505	Compressor capacitor	CBB65-50μF/450V P2 B	1
24	HPX95005-310145	PC1001 Controller	82300022+35005-310145	1
25	HPX20000-360103	Ac contactor	HCC-2XU04AA415	1
26	HPX2000-3501	Fan capacitor	CBB61-3μF/500V(EP450V)P2	1
27	HPX32012-120041	Tltanium Tube Heat Exchang	Φ9.52×11m Φ110	1
28	HPX32012-120029	Fin Heat Exchanger	650×270×550×Φ7×2 2.0	1

6.APPENDIX

6.3 Exploded View(HP65NF)



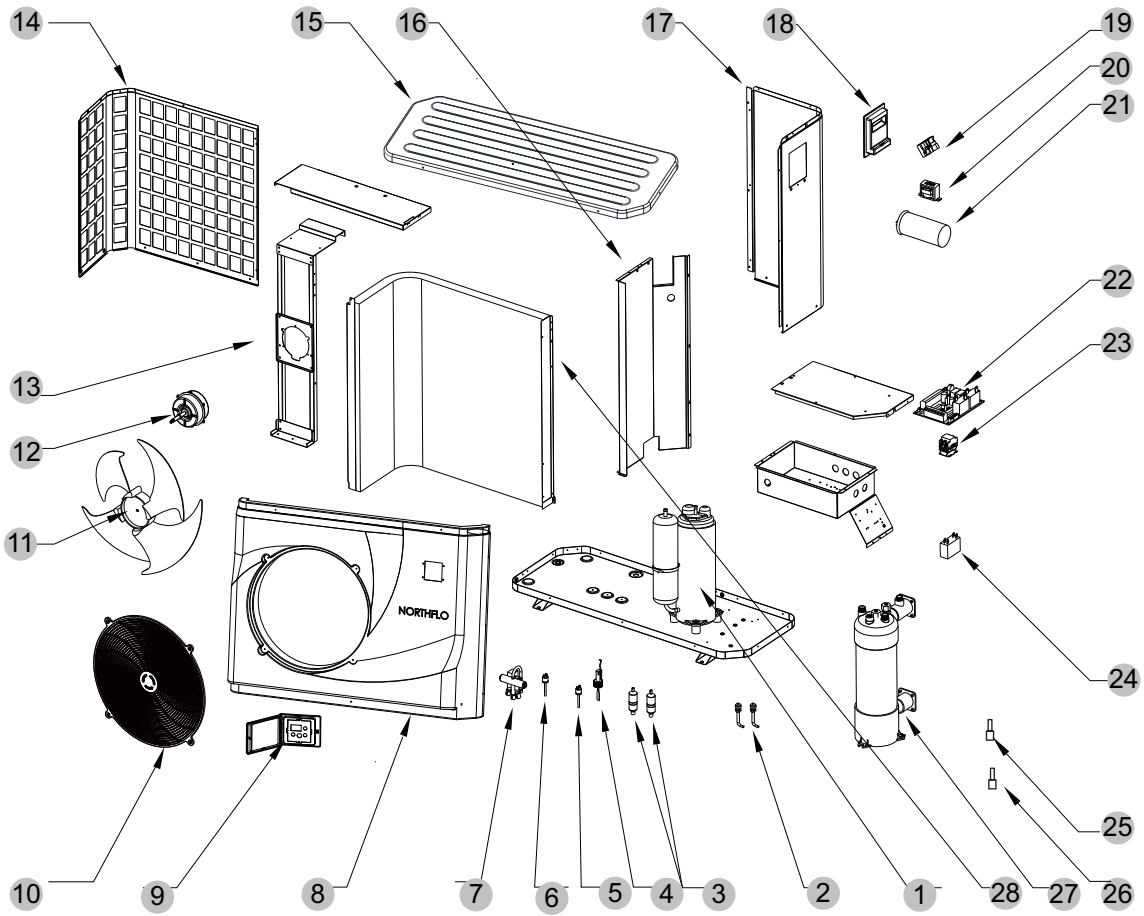
6.APPENDIX

(3) Spare Parts List

SN	HPX Code	Description	Specifications	Qty
1	HPX20000-110192	Compressor	C-SBP105H16A	1
2	HPX20000-140153	Needle valve	90mm 1/2" T0306-10	2
3	HPX2004-1444	Filter	Φ9.7-Φ4.2(Φ28) T2Y2	2
4	HPX20000-360005	Water Flow switch	PSL-1 3/4	1
5	HPX2000-3603	Pressure switch	0.30MPa/0.15MPa ±0.05	1
6	HPX20000-360059	Pressure switch	3.2MPa/4.0MPa ±0.15	1
7	HPX2004-1437	4-way vlave	SHF-9H-35U-P/C03C01S	1
8	HPX80901131	Front panel	ABS	1
9	HPX26300202	LED207 Wire controller	82300029+82400226	1
10	HPX20000-220169	Plastic fan net	Φ500	1
11	HPX20000-270004	Axial flow fan	Z500-145	1
12	HPX20000-330143	Axial motor	YDK90-6(YY070-1206P01-001)	1
13	HPX32009-210204	Fan Motor bracket	Galvanized sheet	1
14	HPX80708920	Back net	Galvanized sheet	1
15	HPX32009-210331	Top cover	ABS	1
16	HPX32009-210220	Middle partition	Galvanized sheet	1
17	HPX80711034	Right panel	Galvanized sheet	1
18	HPX20000-220284	The junction box body	ABS	1
19	HPX2000-3909	3-position terminal block	RS9211(450V~ 4mm ²)	1
20	HPX20000-370006	Transformer	41X26.5F+(VH-3)、(VH-2)	1
21	HPX2000-3524	Compressor capacitor	BB65A-98μF/300VAC	1
22	HPX95005-310145	PC1001 Controller	82300022+35005-310145	1
23	HPX20000-360125	Ac contactor	XTCG032C00AO	1
24	HPX2000-3509	Fan capacitor	CBB61-5uF/500V(450V)P2	1
25	HPX2000-3242	Sensor	150-502-98674(5K) 800mm	1
26	HPX2000-3223	Sensor	714×353×800×Φ7×2 2.0	1
27	HPX32009-120025	Titanium Tube Heat Exchanger	Φ12.7×12m Φ160	1
28	HPX32009-120021	Fin Heat Exchanger	150-503-96115(50K) 600mm	1

6.APPENDIX

6.3 Exploded View(HP80NF)



6.APPENDIX

(3) Spare Parts List

SN	HPX Code	Description	Specifications	Qty
1	HPX20000-110038	Compressor	C-SBP120H16A	1
2	HPX20000-140153	Needle valve	90mm 1/2" T0306-10	2
3	HPX2004-1445	Filter	Φ9.7-Φ4.2(Φ28) T2Y2	2
4	HPX20000-360005	Water Flow switch	PSL-1 3/4	1
5	HPX2000-3603	Pressure switch	0.30MPa/0.15MPa ±0.05	1
6	HPX20000-360059	Pressure switch	3.2MPa/4.0MPa ±0.15	1
7	HPX2001-1491	4-way valve	SHF-20A-46/V6-412080-1XX	1
8	HPX80901131	Front panel	ABS	1
9	HPX26300202	LED207 Wire controller	82300029+82400226	1
10	HPX20000-220169	Plastic fan net	Φ500	1
11	HPX20000-270004	Axial flow fan	Z500-145	1
12	HPX20000-330143	Axial motor	YDK90-6(YV070-1206P01-001)UL	1
13	HPX32009-210204	Fan Motor bracket	Galvanized sheet	1
14	HPX80708920	Back net	Galvanized sheet	1
15	HPX32009-210331	Top cover	ABS	1
16	HPX32009-210220	Middle partition	Galvanized sheet	1
17	HPX80711034	Right panel	Galvanized sheet	1
18	HPX20000-220284	The junction box body	ABS	1
19	HPX2000-3909	3-position terminal block	UTD-63A/3P(L N PE)	1
20	HPX20000-370006	Transformer	41X26.5F+(VH-3)、(VH-2)	1
21	HPX2000-3524	Compressor capacitor	BB65A-98μF/300VAC	1
22	HPX95005-310145	PC1001 Controller	82300022+35005-310145	1
23	HPX20000-360125	Ac contactor	XTCG032C00AO	1
24	HPX2000-3509	Fan capacitor	CBB61-5uF/500V(450V)P2	1
25	HPX2000-3242	Sensor	150-502-98674(5K) 800mm	1
26	HPX2000-3223	Sensor	150-503-96115(50K) 600mm	1
27	HPX32010-120012	Titanium Tube Heat Exchanger	Φ12.7×14m Φ160SSSS	1
28	HPX32009-120021	Fin Heat Exchanger	714×353×800×Φ7×2 2.0	1

6.APPENDIX

6.4 Caution & Warning

1. The unit can only be repaired by the qualified personnel of an installer center or an authorized dealer.
2. This appliance is not intended for use by persons (including children) with reduced physical sensory or mental capabilities, or lack of experience and knowledge, unless they have been given supervision or instruction concerning use of the appliance by a person responsible for their safety.

Children should be supervised to ensure that they do not play with the appliance.

3. Please make sure that the unit and power connection have good earthing, otherwise may cause electrical shock.
4. If the supply cord is damaged, it must be replaced by the manufacturer or our service agent or similarly qualified person in order to avoid a hazard.
5. Directive 2002/96/EC (WEEE):
The symbol depicting a crossed-out waste bin that is underneath the appliance indicates that this product, at the end of its useful life, must be handled separately from domestic waste, must be taken to a recycling centre for electric and electronic devices or handed back to the dealer when purchasing an equivalent appliance.
6. Directive 2002/95/EC (RoHs): This product is compliant with directive 2002/95/EC (RoHs) concerning restrictions for the use of harmful substances in electric and electronic devices.
7. The unit CANNOT be installed near the flammable gas. Once there is any leakage of the gas, fire can be occur.
8. Make sure that there is circuit breaker for the unit, lack of circuit breaker can lead to electrical shock or fire.
9. The heat pump located inside the unit is equipped with an over-load protection system. It does not allow for the unit to start for at least 3 minutes from a previous stoppage.
10. Installation must be performed in accordance with the NEC/CEC by authorized person only.
(for North America market)
11. USE SUPPLY WIRES SUITABLE FOR 75 .
12. Caution: Single wall heat exchanger, not suitable for potable water connection.

6.APPENDIX

6.5 Cable specification

1. Single phase unit

Nameplate maximum current	Phase line	Earth line	MCB	Creepage protector	Signal line
No more than 10A	2×1,5 mm ²	1,5 mm ²	20 A	30mA less than 0.1 sec	n×0.5mm ²
10~16 A	2×2,5 mm ²	2,5 mm ²	32 A	30mA less than 0.1 sec	
16~25 A	2×4 mm ²	4 mm ²	40 A	30mA less than 0.1 sec	
25~32 A	2×6 mm ²	6 mm ²	40 A	30mA less than 0.1 sec	
32~40 A	2×10 mm ²	10 mm ²	63 A	30mA less than 0.1 sec	
40 ~63 A	2×16 mm ²	16 mm ²	80 A	30mA less than 0.1 sec	
63~75 A	2×25 mm ²	25 mm ²	100 A	30mA less than 0.1 sec	
75~101 A	2×25 mm ²	25 mm ²	125 A	30mA less than 0.1 sec	
101~123 A	2×35 mm ²	35 mm ²	160 A	30mA less than 0.1 sec	
123~148 A	2×50 mm ²	50 mm ²	225 A	30mA less than 0.1 sec	
148~186 A	2×70 mm ²	70 mm ²	250 A	30mA less than 0.1 sec	
186~224 A	2×95 mm ²	95 mm ²	280 A	30mA less than 0.1 sec	

2. Three phase unit

Nameplate maximum current	Phase line	Earth line	MCB	Creepage protector	Signal line
No more than 10A	3×1,5 mm ²	1,5 mm ²	20 A	30mA less than 0.1 sec	n×0.5mm ²
10~16 A	3×2,5 mm ²	2,5 mm ²	32 A	30mA less than 0.1 sec	
16~25 A	3×4 mm ²	4 mm ²	40 A	30mA less than 0.1 sec	
25~32 A	3×6 mm ²	6 mm ²	40 A	30mA less than 0.1 sec	
32~40 A	3×10 mm ²	10 mm ²	63 A	30mA less than 0.1 sec	
40 ~63 A	3×16 mm ²	16 mm ²	80 A	30mA less than 0.1 sec	
63~75 A	3×25 mm ²	25 mm ²	100 A	30mA less than 0.1 sec	
75~101 A	3×25 mm ²	25 mm ²	125 A	30mA less than 0.1 sec	
101~123 A	3×35 mm ²	35 mm ²	160 A	30mA less than 0.1 sec	
123~148 A	3×50 mm ²	50 mm ²	225 A	30mA less than 0.1 sec	
148~186 A	3×70 mm ²	70 mm ²	250 A	30mA less than 0.1 sec	
186~224 A	3×95 mm ²	95 mm ²	280 A	30mA less than 0.1 sec	

When the unit will be installed at outdoor, please use the cable which can against UV.

6.APPENDIX

6.6 Warranty

NORTHFLO Heat Pump Pool Heater Limited Warranty

The NORTHFLO heat pump pool heater is warranted to be free of defects in materials and workmanship for a period of TWO (2) years parts and TWO (2) years for labour. The titanium tube component of the heat exchanger has a FIVE (5) year parts only warranty.

Warranty is applicable to the original location and owner only and is not transferable. NORTHFLO will not void this warranty due to improper pool chemistry. The warranty is valid only if the product is installed according to the NORTHFLO specifications.

This warranty does not include refrigerant or other expendable materials, or services such as inspection, maintenance, or unnecessary service calls due to erroneous operational reports, external valve position, or electrical service. It also does not include repair of damage due to negligence, accident, freezing, or other conditions beyond the normal intended use of the unit. This warranty is void if the product is repaired or altered in any way by a persons or agencies other than those authorized by NORTHFLO, and is in lieu of all other warranties, expressed or implied, written or oral. There are no implied warranties of merchantability or fitness for a particular purpose that apply to this product. This warranty applies only within Canada.

At its option, NORTHFLO will replace or repair any NORTHFLO part that proves defective if such parts are returned to our factory, freight collect, within the warranty period. It is agreed that such replacement or repair is the exclusive remedy available from NORTHFLO. Unless authorized by NORTHFLO and performed by a factory authorized service center, NORTHFLO is not liable for any labour involved in the removal of defective parts or the installation of consequential damages. Parts returned and services performed under terms of this warranty will be repaired or replaced and returned transportation charges prepaid, but best and most economical means.

Retain this Warranty Certificate in a safe and convenient location for your records.

NORTHFLO
POOL EQUIPMENT

NORTHFLO

POOL EQUIPMENT

THERMOPOMPE POUR PISCINE

Guide d'installation et d'utilisation

**Modèle HP50NF
 HP65NF
 HP80NF**



TABLE DES MATIÈRES

1. Préface	1
<hr/>	
2. Spécifications	2
2.1 Données sur le rendement de la thermopompe piscine	2
2.2 Dimensions de la thermopompe de piscine	3
<hr/>	
3. Installation et raccordement	6
3.1 Diagramme d'installation	6
3.2 Emplacement de la thermopompe de piscine	7
3.3 À quelle distance de votre piscine?	7
3.4 Tuyauterie pour la thermopompe de piscine	8
3.5 Câblage électrique pour la thermopompe de piscine	9
3.6 Démarrage initial de l'appareil	9
<hr/>	
4. Utilisation et fonctionnement	10
4.1 Fonctions du système de commande	10
4.2 Utilisation du système de commande	11
4.3 Tableau des paramètres	13
4.4 Tableau des défaillances	14
<hr/>	
5. Entretien et inspection	15
5.1 Maintenance et inspection	15
5.2 Hivernasion	15
<hr/>	
6. Annexes	16
6.1 Connexion du circuit imprimé: Illustration	16
6.2 Schéma de câblage	17
6.3 Vue éclatée et liste de pièces de rechange	20
6.4 Mises en garde et avertissements	26
6.5 Spécifications relatives aux cables	27
6.6 Garantie	28

1. PRÉFACE

- Afin d'offrir qualité, fiabilité et polyvalence à nos clients, ce produit a été fabriqué selon des normes de fabrication rigoureuses. Ce guide comprend toute l'information nécessaire à l'installation, au dépannage, à la vidange et à l'entretien. Veuillez lire attentivement ce guide avant d'ouvrir et de procéder à l'entretien de cet appareil. Le fabricant de ce produit ne sera pas tenu responsable si un individu est blessé ou si l'appareil est endommagé en raison d'une installation ou d'un dépannage inadéquats ou d'un entretien non nécessaire. Il est crucial de respecter en tout temps les directives présentées dans ce guide. Cet appareil doit être installé par une personne qualifiée.
- Seuls un centre d'installation, un individu ou un détaillant autorisé peuvent procéder à la réparation de cet appareil.
- L'entretien et le fonctionnement de cet appareil doivent être effectués selon les temps et fréquences indiqués dans ce guide.
- Utilisez uniquement des pièces de remplacement d'origine.
Le non-respect de ces recommandations annulera la garantie.
- La thermopompe de piscine permet de chauffer l'eau de la piscine et de garder la température constante. Dans le cas des modèles « split » (séparés), la partie de l'appareil qui se trouve à l'intérieur peut être cachée discrètement ou à demi cachée pour convenir à une demeure luxueuse.

Notre thermopompe possède les caractéristiques suivantes :

1. Durabilité

L'échangeur thermique est fabriqué de tubes de PVC et de titane qui peuvent être exposés à l'eau d'une piscine pour de longues périodes de temps.

2. Polyvalence quant à l'installation

La thermopompe doit être installée à l'extérieur.

3. Fonctionnement silencieux

Cet appareil est doté d'un compresseur rotatif Scroll et d'un ventilateur de moteur silencieux qui assurent un fonctionnement silencieux.

4. Système de commande avancé

Cet appareil est doté d'un contrôle par microordinateur qui permet de régler tous les paramètres de fonctionnement. L'état du fonctionnement peut être affiché à l'écran ACL du système de commande. Une télécommande peut être choisie en option.

2.SPÉCIFICATIONS

2.1 Données sur le rendement de la thermopompe pour piscine

- RÉFRIGÉRANT: R410A

Unit	Modèle	HP50NF	HP65NF	HP80NF
Puissance d'entrée pour le chauffage	kW	2.68	3.2	3.6
Tension de fonctionnement	A	12	15.5	17.5
Alimentation	V/Hz	208-230V ~ /60Hz	208-230V ~ /60Hz	208-230V ~ /60Hz
Nombre de compresseurs		1	1	1
Compresseur		rotary	scroll	scroll
Nombre de ventilateurs		1	1	1
Puissance d'entrée pour le ventilateur	W	120	180	180
Vitesse de rotation du ventilateur	RPM	850	850	850
Positionnement du ventilateur		horizontal	horizontal	horizontal
Bruit	dB(A)	54	56	56
Raccordement d'eau	inch	1.5	1.5	1.5
Débit d'eau	m ³ /h/ gpm	4.5/19.8	4.5/30.0	8.18/36
Baisse de pression de l'eau (max.)	kPa/ psi	10/1.45	10/1.45	10/1.45
Dimensions nettes de l'appareil (L./I./H.)	mm/ inch	1049×455×658 41.3×17.9×25.9	956×360×600 37.6×14.2×23.6	1115×450×868 43.9×17.7×34.2
Dimensions d'expédition (L./I./H.)	mm/ inch	1130×470×680 44.5×18.5×26.8	1210×510×880 47.6×20.1×34.6	1210×510×880 47.6×20.1×34.6
Poids net	kg	Consultez la fiche signalétique		
Poids d'expédition	kg	Consultez l'étiquette sur l'emballage		

Chauffage: Température Ambiante (BS/BM): 26.7°C (80°F) / 24.3°C (75.8°F);

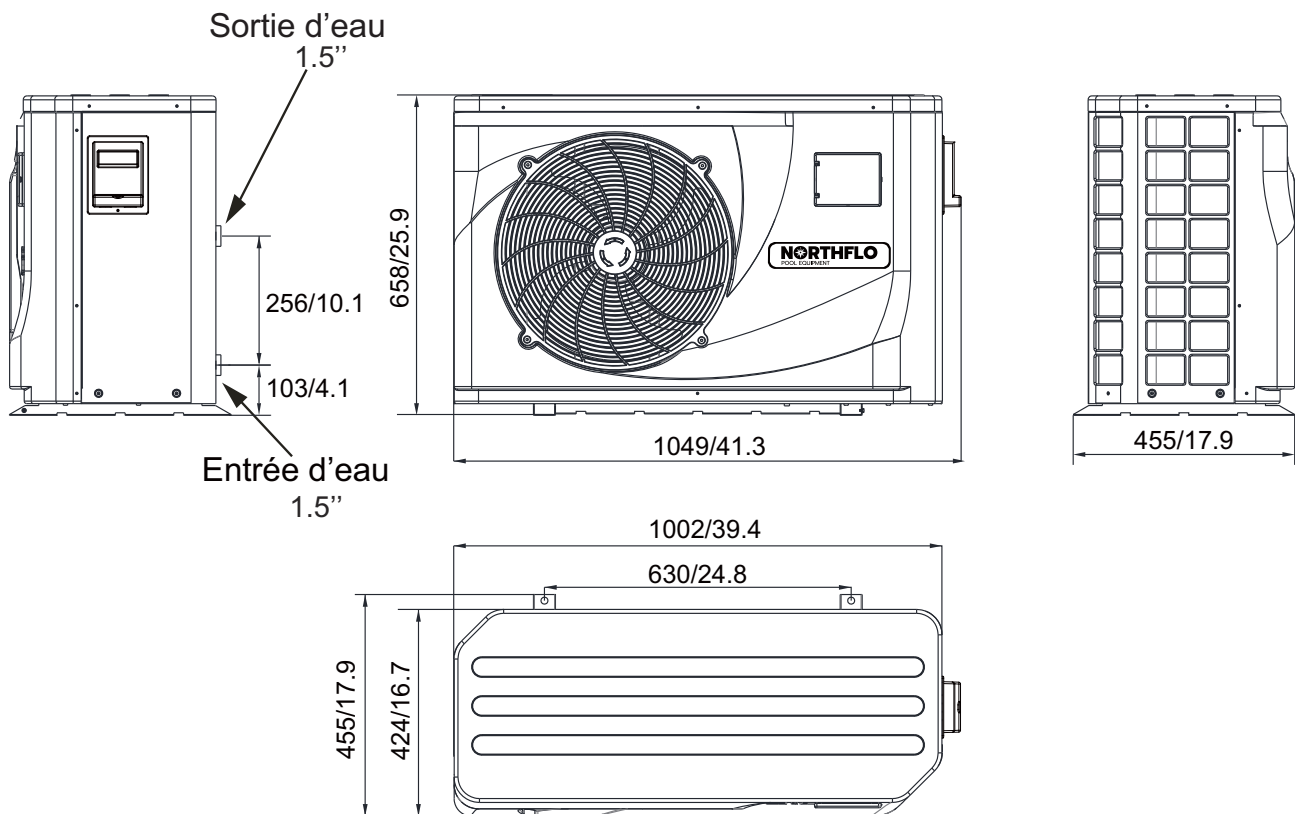
Température de l'eau (entrer/sortie): 26.7°C (80°F) / 28°C (92°F).

2.SPÉCIFICATIONS

2.2 Dimensions de la thermopompe de piscine

HP50NF

Unité : mm/inch

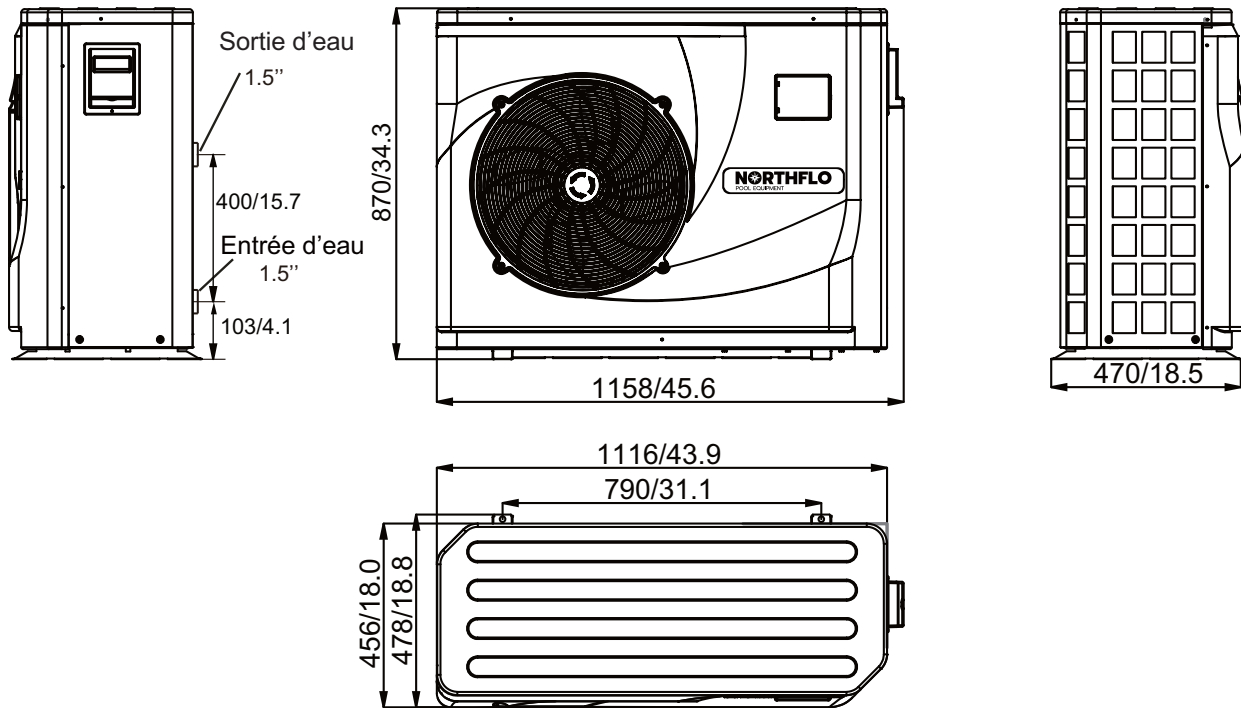


2.SPÉCIFICATIONS

2.2 Dimensions de la thermopompe de piscine

HP65NF

Unité : mm/inch

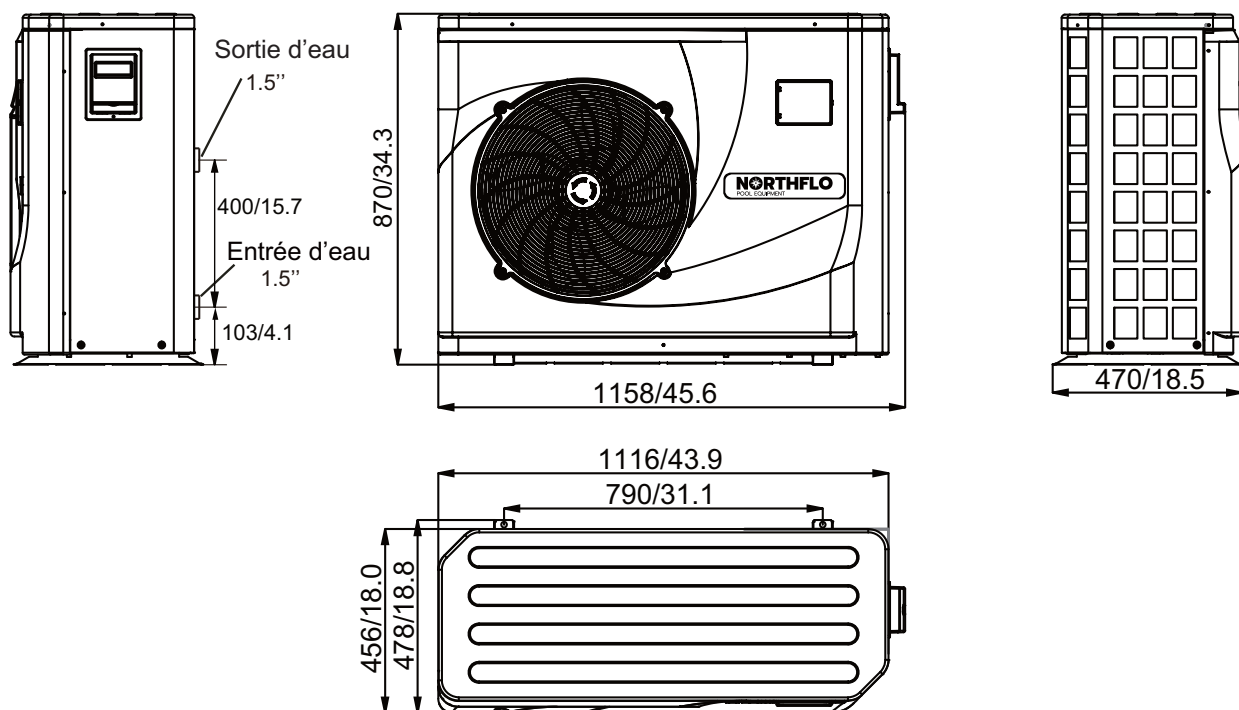


2.SPÉCIFICATIONS

2.2 Dimensions de la thermopompe de piscine

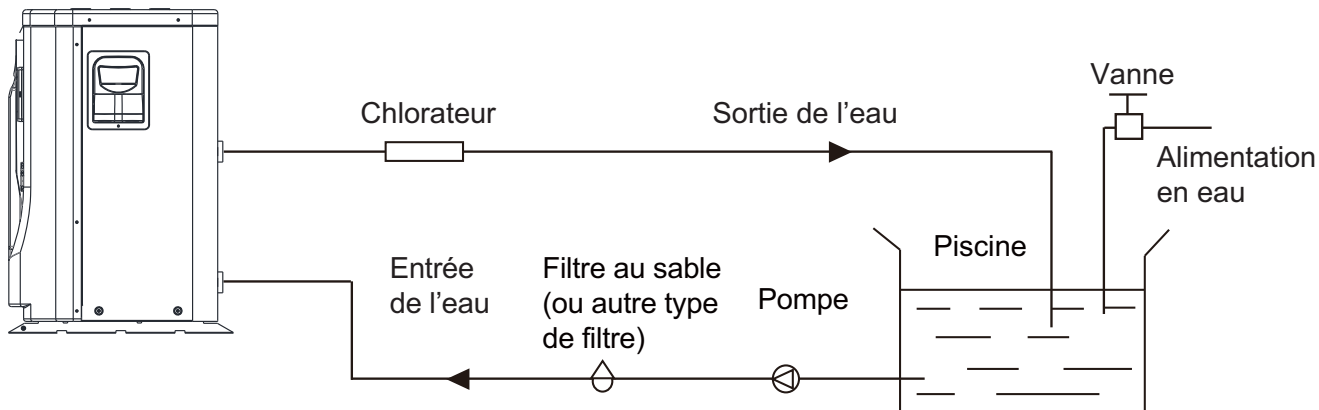
HP80NF

Unité : mm/inch



3. INSTALLATION ET RACCORDEMENT

3.1 Diagramme d'installation



Pour l'installation :

Le fabricant fournit l'appareil principal et l'appareil pour l'eau. Les autres éléments indiqués dans le diagramme représentent des pièces supplémentaires du système d'eau et sont fournis par l'utilisateur ou l'installateur.

Attention :

Lorsque vous utilisez l'appareil pour la première fois, veuillez suivre ces étapes :

1. Ouvrez la vanne et remplissez le système d'eau.
2. Assurez-vous que la pompe et le tuyau d'entrée d'eau sont remplis d'eau.
3. Fermez la vanne et démarrez l'appareil.

Ce diagramme est fourni à titre indicatif seulement. Au moment d'installer la tuyauterie, vérifiez les étiquettes sur la thermopompe indiquant l'entrée et la sortie de l'eau.

3.INSTALLATION ET RACCORDEMENT

3.2 Emplacement de la thermopompe de piscine

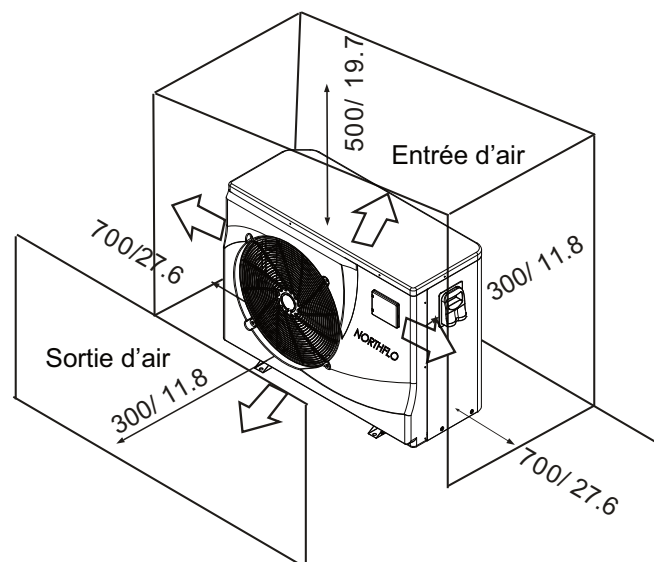
L'appareil fonctionnera bien, peu importe où il est placé à l'extérieur, à condition que les trois éléments suivants soient présents :

1. Air frais - 2. Électricité - 3. Tuyauterie du filtre de la piscine

L'appareil peut être installé essentiellement partout à l'extérieur. Dans le cas d'une piscine intérieure, veuillez consulter le fournisseur. Contrairement à un chauffe-piscine au gaz, il n'y a pas de problème lié au courant d'air ou à l'allumage du pilote dans des conditions venteuses.

NE PLACEZ PAS l'appareil dans un endroit clos où le volume d'air est limité et où l'air de sortie sera recirculé.

NE PLACEZ PAS l'appareil près de buissons qui peuvent bloquer l'entrée d'air. Ces endroits privent l'appareil d'une source d'air frais continue, ce qui réduit l'efficacité et peut empêcher une émission de chaleur adéquate.



Unité : mm/inch

3.3 À quelle distance de votre piscine?

Normalement, la thermopompe de la piscine est installée à moins de 7,5 m de la piscine. Plus la distance séparant la thermopompe de la piscine est grande, plus la perte de chaleur dans la tuyauterie est grande. La majeure partie de la tuyauterie est enfouie sous la terre. Par conséquent, la perte de chaleur est minimale pour des distances allant jusqu'à 15 m (15 m pour aller et revenir de la piscine = 30 m au total) à moins que le sol soit mouillé ou que la nappe phréatique soit haute. Une estimation grossière de la perte de chaleur par 30 m est 0,6 kW/h (2000 BTU) pour chaque différence de 5 °C entre la température de l'eau de la piscine et la température du sol entourant la tuyauterie, ce qui se traduit par une hausse du temps de fonctionnement de 3 à 5 %.

3. INSTALLATION ET RACCORDEMENT

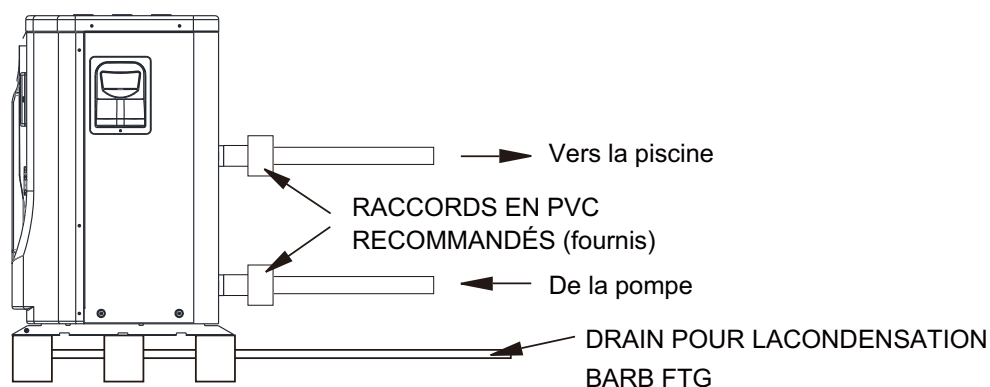
3.4 Tuyauterie de la thermopompe de piscine

L'échangeur thermique exclusif en titane des thermopompes de piscine utilisé au débit nominal ne requiert aucun arrangement particulier, à l'exception d'un dispositif de dérivation (veuillez régler le débit selon l'information fournie sur la plaque signalétique). La baisse de pression de l'eau est moins de 10 kPa au débit maximum. Puisqu'il n'y a pas de chaleur résiduelle ou de flammes, l'appareil ne requiert pas une tuyauterie en cuivre pour dissiper la chaleur. Des tuyaux de PVC peuvent être utilisés pour raccorder l'appareil.

Emplacement : Raccordez l'appareil à la ligne de sortie de la pompe en aval de tout filtre ou toute pompe de piscine et en amont de tout chlorateur ou ozoneur ou de toute pompe de produits chimiques.

Les modèles standards sont dotés de raccords à coller qui conviennent à des tuyaux de PVC de 32 mm ou de 50 mm pour raccorder à la tuyauterie de filtration de la piscine ou du spa. En utilisant un tuyau de diamètre nominal entre 50 et 40, vous pouvez raccorder du 40.

Pensez sérieusement à utiliser des raccords rapides à l'entrée et à la sortie de l'appareil pour faciliter le drainage au moment de la préparation pour l'hiver et pour donner un meilleur accès si des réparations sont nécessaires.



Condensation : Puisque la thermopompe refroidit l'air de 4 à 5 °C, il se peut que de l'eau condense sur les ailettes de l'évaporateur en forme de fer à cheval. Si l'humidité relative est très élevée, plusieurs litres d'eau par heure peuvent être produits. L'eau s'écoulera le long des ailettes dans un plateau et sera drainée par un raccord en coude en plastique situé sur le côté du plateau. Ce raccord est conçu pour être raccordé à un tube de vinyle clair de 20 mm à la main afin de diriger l'eau vers un drain approprié. Il est facile de confondre l'eau de condensation pour une fuite d'eau dans l'appareil.

N.B. Une façon rapide de vérifier que l'eau provient bien de la condensation est d'éteindre l'appareil alors que la piscine continue de fonctionner. S'il n'y a plus d'eau qui s'écoule du plateau, il s'agit de condensation. UNE FAÇON ENCORE PLUS FACILE EST DE VÉRIFIER SI L'EAU QUI S'ÉCOULE DU DRAIN CONTIENT DU CHLORE – s'il n'y a pas de chlore, il s'agit de l'eau provenant de la condensation.

3.INSTALLATION ET RACCORDEMENT

3.5 Câblage électrique pour la thermopompe de piscine

NOTE : Bien que l'échangeur thermique soit isolé sur le plan électrique du reste de l'appareil, cela ne fait qu'empêcher la circulation de l'électricité vers ou en provenance de l'eau de la piscine. Une mise à la terre de l'appareil est tout de même nécessaire pour vous protéger contre les courts-circuits à l'intérieur de l'appareil. Une mise à la masse est aussi requise.

L'appareil possède une boîte de jonction moulée séparée dotée d'un conduit électrique avec un raccord standard. Enlevez simplement les vis et le panneau frontal, passez les fils de l'alimentation dans le raccord du conduit et utilisez les serre-fils pour connecter les fils aux trois connexions en place dans la boîte de jonction (quatre connexions s'il y a trois phases). Pour terminer la connexion électrique, connectez la thermopompe par l'entremise d'un conduit électrique, câble de type UF ou tout autre moyen tel que précisé (et permis par les autorités en matière d'électricité locales) à un circuit d'alimentation CA distinct et doté d'un disjoncteur, d'un mécanisme d'interruption ou d'un disjoncteur temporisé adéquats.

AVIS : Si les codes en matière d'installation exigent l'utilisation de disjoncteurs différentiels de fuite à la terre (DDFT), le produit fonctionnera de manière satisfaisante lorsqu'un DDFT Siemens QFxxxA est utilisé. Des tests ont été effectués sur ce disjoncteur différentiel de fuite à la terre et ont démontré qu'il n'était pas susceptible aux déclenchements intempestifs. Les déclenchements intempestifs du DDFT ne sont pas couverts par la garantie.

Mécanisme d'interruption – Un moyen d'interruption (disjoncteur, sectionneur avec ou sans fusible) à la vue et facilement accessible depuis l'appareil. Il s'agit d'une pratique courante dans le cas de thermopompes et climatiseurs commerciaux et résidentiels. Il empêche que de l'équipement sans surveillance soit remis sous tension et permet de couper le courant à l'appareil lors de réparations.

3.6 Démarrage initial de l'appareil

NOTE – Afin que l'appareil chauffe l'eau de la piscine ou du spa, la pompe du filtre doit fonctionner afin que de l'eau circule dans l'échangeur thermique.

Procédure de démarrage – une fois que l'installation est terminée, vous devez suivre les étapes suivantes :

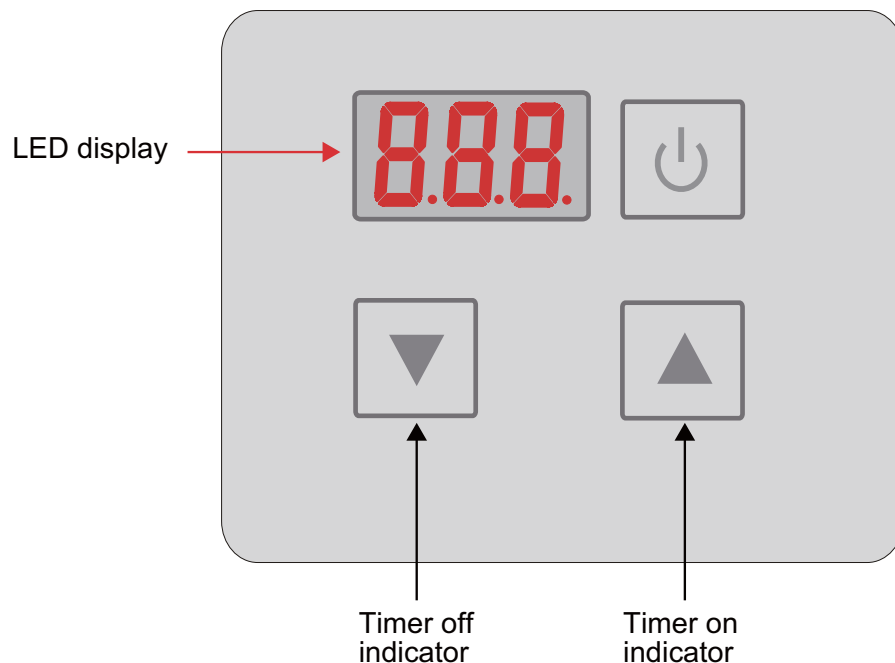
1. Faites fonctionner la pompe du filtre. Assurez-vous qu'il n'y a pas de fuites d'eau et vérifiez le débit vers et en provenance de la piscine.
2. Mettez l'appareil sous tension et appuyez sur la touche « ON/OFF » du système de commande. L'appareil devrait démarrer dans quelques secondes.
3. Après avoir fonctionné pour quelques minutes, assurez-vous que l'air qui s'échappe du haut de l'appareil est plus froid (entre 5 à 10 °C).
4. Alors que l'appareil fonctionne, éteignez la pompe du filtre. L'appareil devrait aussi s'éteindre automatiquement.
5. Faites fonctionner l'appareil et la pompe du filtre pendant 24 heures par jour jusqu'à ce que l'eau atteigne la température souhaitée. Lorsque l'eau à l'entrée de l'appareil atteint la température souhaitée, l'appareil s'éteint automatiquement. Il redémarrera automatiquement (tant et aussi longtemps que la pompe fonctionne) lorsque la température de l'eau de la piscine baisse de plus de 2 °C sous la température souhaitée.




Circuit temporisé – L'appareil est doté d'un circuit temporisé à semiconducteur intégré de trois minutes pour protéger les composants du circuit de commande et pour éliminer les cycles de redémarrage et les vibrations du contacteur.

Ce circuit temporisé redémarrera automatiquement l'appareil environ trois minutes après toute interruption du circuit de commande. Même une brève interruption du courant activera le circuit temporisé à semiconducteur intégré de trois minutes et empêchera que l'appareil ne redémarre avant que le compte à rebours de cinq minutes soit achevé. Les interruptions de courant durant la période de délai n'auront aucun effet sur le compte à rebours de trois minutes.

4.UTILISATION

4.1. Function of wire controller



Touche	Nom de la touche	Fonction principale
	MARCHE/ARRÊT	Appuyez sur cette touche pour démarrer ou éteindre l'appareil
	Augmenter	Appuyez sur cette touche pour sélectionner l'option qui précède ou pour augmenter la valeur d'un paramètre
	Diminuer	Appuyez sur cette touche pour sélectionner l'option qui suit ou pour diminuer la valeur d'un paramètre

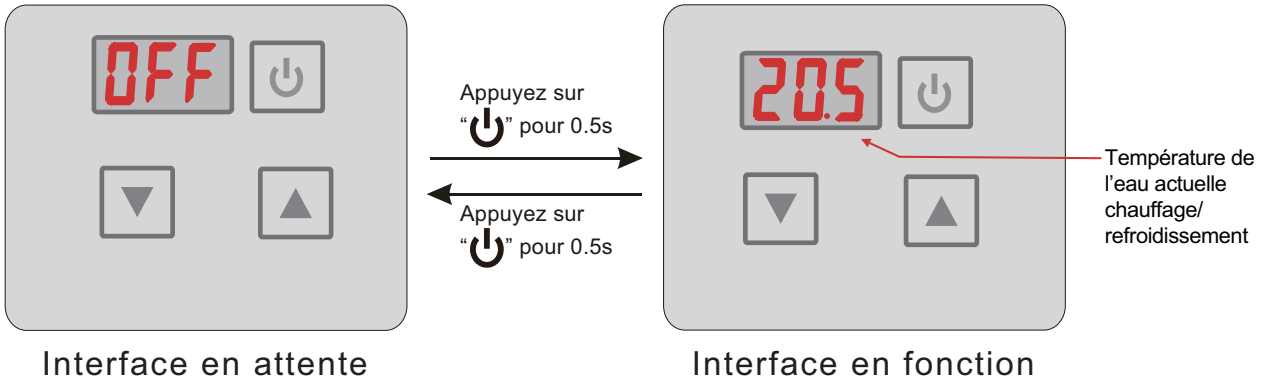
4.UTILISATION

4.2. Utilisation du système de commande

4.2.1 Mettre en marche et éteindre l'appareil

Lorsque l'appareil ne fonctionne pas, appuyez sur "⏻" 0,5 s pour mettre en marche l'appareil.

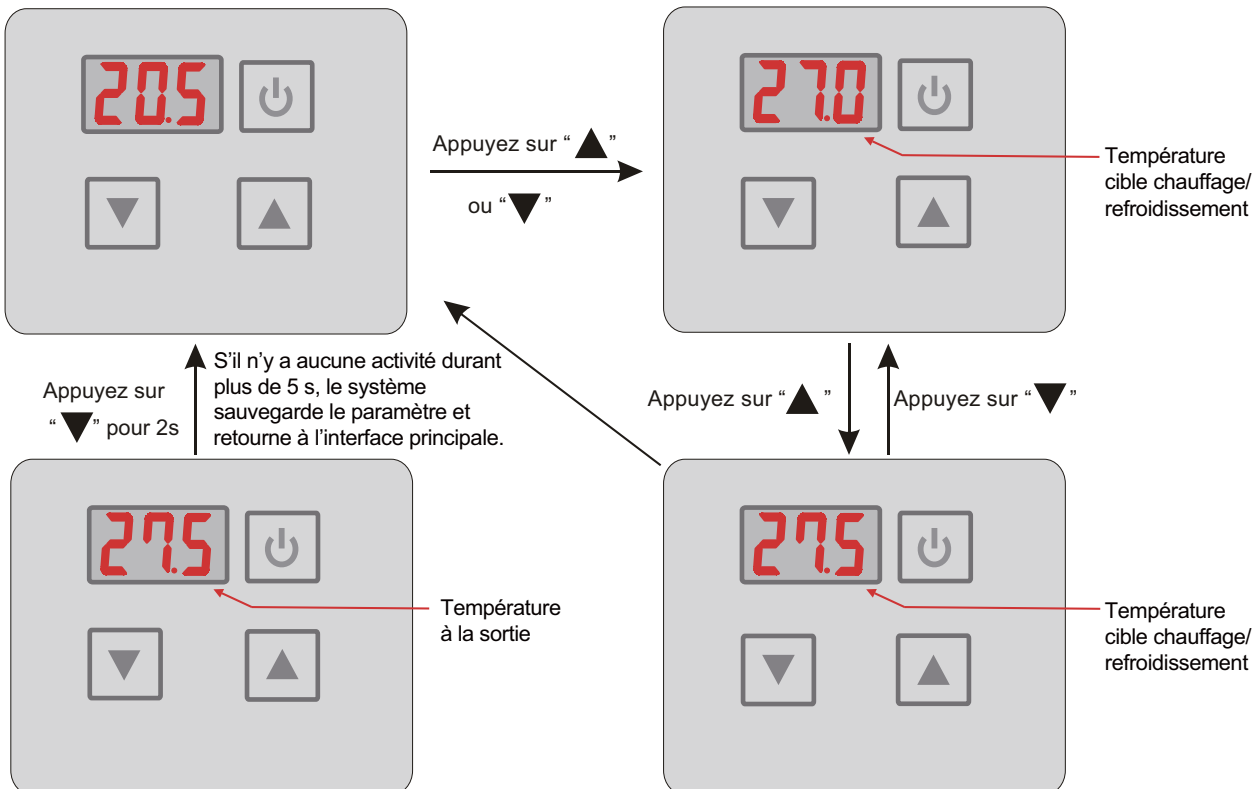
Lorsque l'appareil fonctionne, appuyez sur "⏻" 0,5 s pour éteindre l'appareil.



4.2.2 Réglage de la température

Dans l'interface en fonction, appuyez sur "▲" ou "▼" et la température cible du mode actuel clignotera. Appuyez ensuite sur "▲" pour augmenter ou sur "▼" pour diminuer la valeur de la température. Appuyer sur "⏻" ne permet pas de sauvegarder le paramètre, mais vous retourne à l'interface principale.

Attention : S'il n'y a aucune activité durant plus de 5 s, le système sauvegarde le paramètre et retourne à l'interface principale. Dans l'interface principale, appuyez sur "▲" pendant 2s et vous verrez la température à la sortie clignoter. L'affichage retournera à l'interface principale après 10 s.



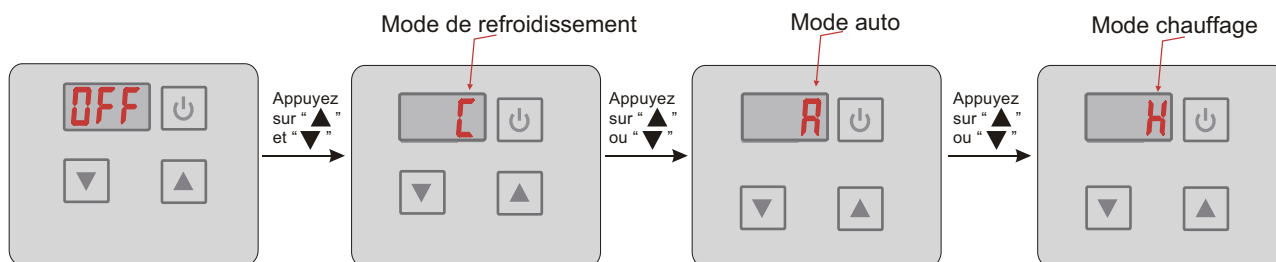
4.UTILISATION

4.2.3 Changement de mode

Dans l'interface principale, appuyez sur "▲" et "▼" pendant 0,5 s pour régler le mode. Appuyez sur "▲" ou "▼" pour changer le mode actuel et passer d'un mode à l'autre, du mode refroidissement, au mode chauffage et au mode automatique.

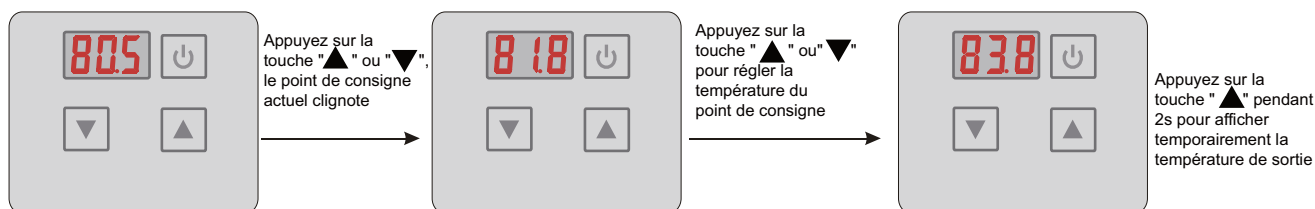
S'il n'y a aucune activité durant plus de 5 s, le système sauvegarde le mode actuel et retourne à l'interface principale. Appuyez sur "⏻" permet pas de sauvegarder le paramètre.

Le changement de mode est inutile si l'appareil n'a qu'un seul mode : chauffage ou refroidissement.

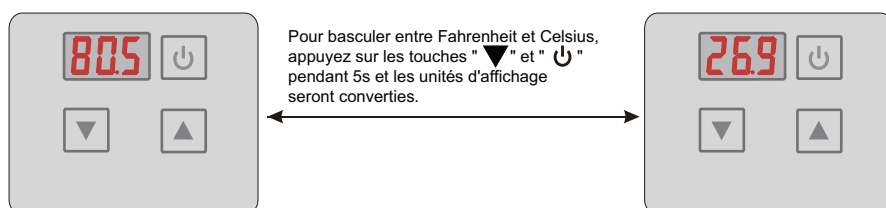


4.2.4 Réglage / affichage des températures

Lorsque l'unité fonctionne, appuyez sur "▲" ou "▼" et le point de consigne de température actuel clignote. Appuyez ensuite sur "▲" ou "▼" pour augmenter ou diminuer le point de consigne de température. Appuyez sur "⏻" pour annuler le changement et revenir au mode d'affichage de température d'origine. Pour enregistrer le nouveau point de consigne de température, n'appuyez sur aucune touche pendant 5 secondes et la valeur affichée sera enregistrée et le fonctionnement retournera au mode d'affichage de la température. Pour afficher la température de sortie en mode d'affichage de la température, appuyez sur la touche "▲" pendant 2 secondes. La température de sortie est temporairement affichée, puis l'affichage revient au mode d'affichage de la température.



Réglage Fahrenheit et Celsius:



4.2.5 Verrouillage du clavier

Afin d'éviter toute action indésirable, veuillez verrouiller le système de commande après avoir procédé au réglage d'un paramètre. Dans l'interface principale, appuyez sur "⏻" pendant cinq secondes et, lorsque vous entendez un son, le clavier est verrouillé.

Lorsque le clavier est verrouillé, vous pouvez le déverrouiller en appuyant sur "⏻" pendant cinq secondes, jusqu'à ce que vous entendiez un son.

NOTE : Lorsque l'appareil est dans un état d'alerte, le clavier peut être déverrouillé automatiquement.

4.UTILISATION

4.2.6 Affichage des défaillances

Un code d'erreur sera affiché à l'écran du système de commande lorsque survient une défaillance. Si plus d'une défaillance se produit en même temps, vous pouvez vérifier la liste des codes d'erreur actuels en appuyant sur les touches "▲" ou "▼".

Vous pouvez consulter le tableau des défaillances pour en connaître la cause et la solution. Par exemple.



Défaillance du capteur de température de l'eau à l'entrée

4.3. Parameter table

Signification	Valeur par défaut	Remarques
Valeur de la température cible en mode auto	27°C	Ajustable

- Remarque :

Selon le modèle de l'appareil que vous avez acheté, le système de commande peut afficher la température en "°C" ou "°F".

4.UTILISATION

4.4 Tableau des défaillances

Causes courantes des défaillances et solutions.

Défaillance	Code d'erreur	Cause	Solution
Défaillance du capteur de température de l'eau à l'entrée	P01	Le capteur de température de l'eau à l'entrée est ouvert ou court-circuité.	Vérifier ou changer le capteur de température de l'eau à l'entrée.
Défaillance du capteur de température de l'eau à la sortie	P02	Le capteur de température de l'eau à la sortie est ouvert ou court-circuité.	Vérifier ou changer le capteur de température de l'eau à la sortie.
Défaillance du capteur de température ambiante	P04	Le capteur de température ambiante est ouvert ou court-circuité.	Vérifier ou changer le capteur de température ambiante.
Défaillance du capteur de température de la tuyauterie	P05	Le capteur de température de la tuyauterie est ouvert ou court-circuité.	Vérifier ou changer le capteur de température de la tuyauterie.
Défaillance du capteur de température de l'évaporateur	P07	Le capteur de température de l'évaporateur est ouvert ou court-circuité.	Vérifier ou changer le capteur de température de l'évaporateur.
Protection contre une pression élevée	E01	La pression du système d'échappement est élevée, l'interrupteur de haute pression est activé.	Vérifier l'interrupteur de haute pression et le circuit de refroidissement du retour.
Protection contre une basse pression	E02	La pression d'aspiration est basse, l'interrupteur de basse pression est activé.	Vérifier l'interrupteur de basse pression et le circuit de refroidissement du retour.
Défaillance du capteur de débit	E03	Peu ou pas d'eau dans le système de circulation d'eau.	Vérifier le volume d'eau circulant dans le système. Vérifier s'il y a une défaillance de la pompe.
Trop grande différence entre la température de l'eau à l'entrée et à la sortie	E06	Le débit d'eau circulant dans le système est insuffisant. La différence de pression dans le système d'eau est petite.	Vérifier le débit d'eau circulant dans le système. Vérifier si le système de circulation de l'eau est obstrué.
Prévention du gel en mode refroidissement	E07	Le débit d'eau circulant dans le système est insuffisant.	Vérifier le volume d'eau circulant dans le système. Vérifier si le système de circulations de l'eau est obstrué.
Activation de la première protection contre le gel	E19	La température ambiante est trop basse.	
Activation de la deuxième protection contre le gel	E29	La température ambiante est trop basse.	
Défaillance de communication	E08	Défaillance de communication entre le circuit principal et le système de commande.	Vérifier la connexion du fil entre la télécommande et le circuit principal.

5. ENTRETIEN ET INSPECTION

5.1 Maintenance et inspection

- Vérifiez souvent le dispositif d'alimentation en eau ainsi que la soupape d'évacuation. Il faut éviter toute situation où il n'y a pas d'eau ou d'air qui entre dans le système puisque ce genre de situation a une incidence sur le rendement et la fiabilité de l'appareil. Assurez-vous de nettoyer régulièrement le filtre de la piscine ou du spa pour éviter de causer des dommages à l'appareil en raison d'un filtre sale ou bouché.
- L'espace entourant l'appareil doit être sec, propre et bien aéré. Nettoyez régulièrement l'échangeur thermique situé sur le côté de l'appareil pour maintenir un bon échange thermique et économiser de l'énergie.
- Toute réparation relative à la pression de fonctionnement du système réfrigérant doit être effectuée par un technicien certifié.
- Vérifiez souvent les connexions de l'alimentation électrique et des câbles. Si l'appareil fonctionne de façon anormale, coupez le courant et communiquez avec un technicien compétent.
- Videz l'eau de la pompe et du système de circulation de l'eau afin que l'eau ne gèle pas à l'intérieur de la pompe ou du système de circulation. Vous devez vider l'eau au bas de la pompe lorsque l'appareil n'est pas utilisé pour une période de temps prolongée. Vous devez bien vérifier complètement l'appareil et remplir le système d'eau avant de l'utiliser pour la première fois après un arrêt prolongé.

5.2 Hivernisation

Toutes ces étapes sont importantes pour éviter un bris par le gel.

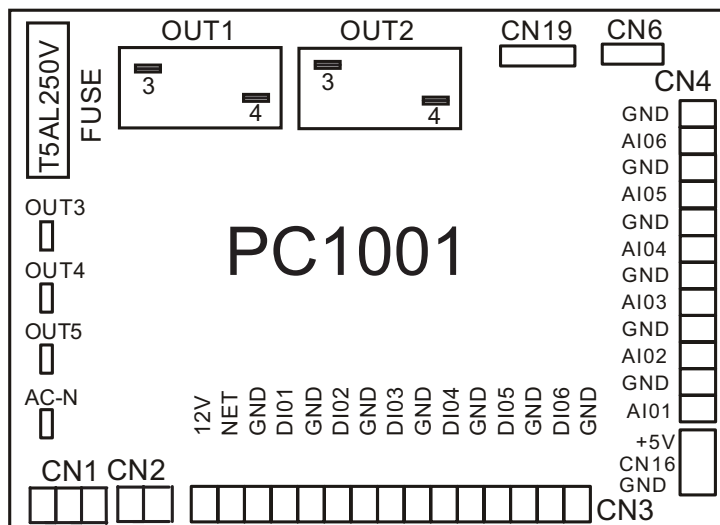
- Mettre la thermopompe en mode ARRÊT (« OFF »).
- Couper l'alimentation électrique de la thermopompe.
- Vidanger l'appareil de toute son eau :
 - Débrancher l'entrée et la sortie d'eau;
 - Incliner légèrement l'appareil de sorte que les tuyaux d'entrée et de sortie pointent vers le sol. Utiliser une brique ou une planche de bois pour maintenir la position;
 - Éliminer toute eau stagnante à l'aide d'un aspirateur de style « Shop Vac » utilisé en mode poussée et souffler l'air du tuyau du haut de la thermopompe vers celui du bas.
- Ne pas reconnecter la plomberie sur la thermopompe.
- Boucher l'entrée et la sortie d'eau pour éviter l'intrusion de petits animaux ou de débris pendant l'hiver.
- Ne pas recouvrir la thermopompe complètement d'une toile ou d'une bâche car certaine toile peut causer une décoloration de l'équipement et une condensation trop élevée qui pourrait causer de la corrosion prématurer des composante interne da la thermopompe.



TOUT DOMMAGE OCCASIONNÉ PAR UNE MAUVAISE HIVERNISATION N'EST PAS COUVERT PAR LA GARANTIE DE LA THERMOPOMPE.

6.ANNEXES

6.1 Connexion du circuit imprimé: Illustration

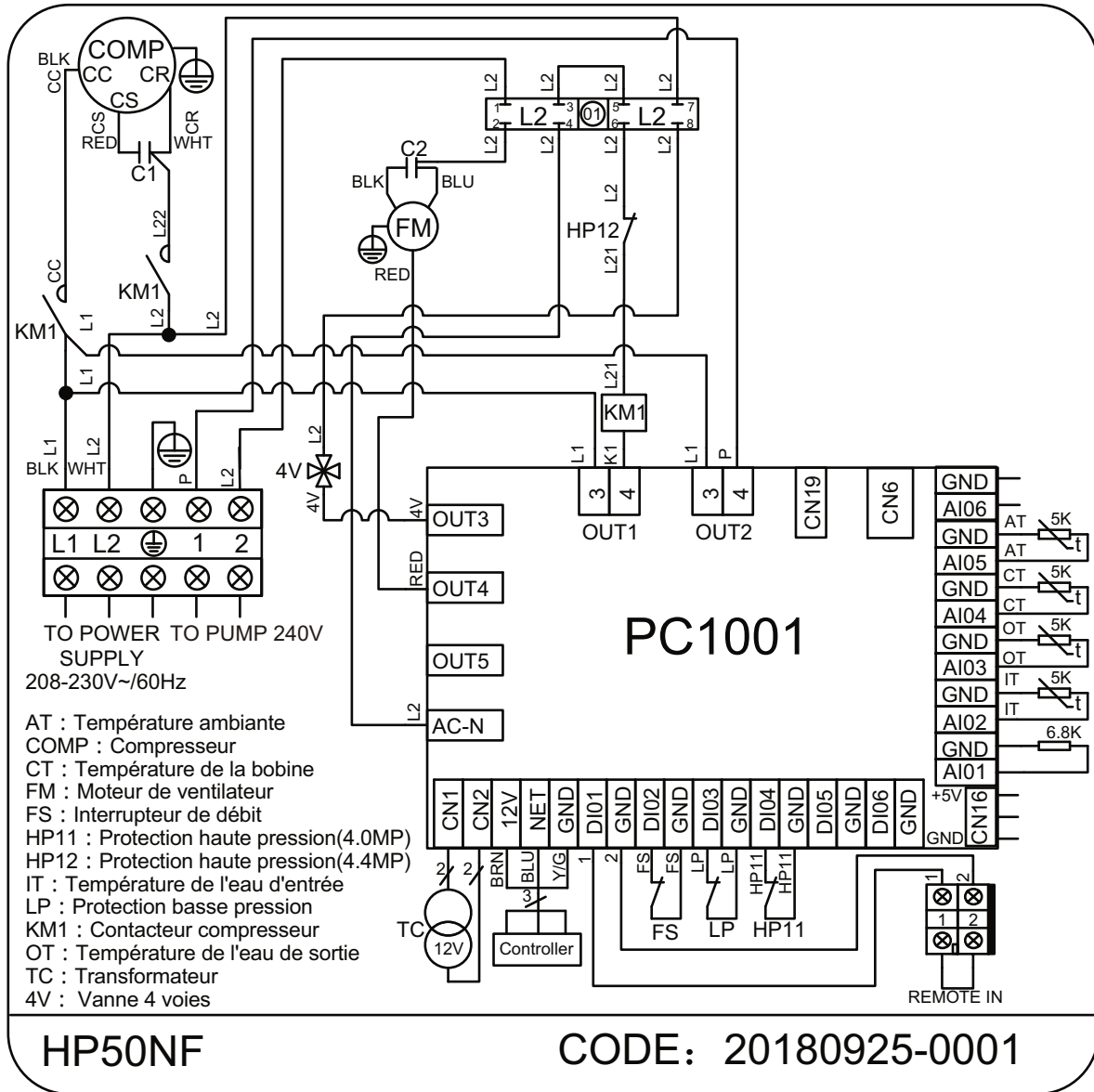


Explication des connexions :

No.	Symbole	Signification
1	OUT1	Compresseur du système 1 (220-230 VAC)
2	OUT2	Pompe d'eau (220-230 VAC)
3	OUT3	Vanne à 4 voies (220-230 VAC)
4	OUT4	Haute vitesse du moteur du ventilateur (220-230 VAC)
5	OUT5	Basse vitesse du moteur du ventilateur (220-230 VAC)
6	AC-N	Fil neutre
7	NET GND 12V	Système de commande
8	DI01 GND	Interrupteur Marche/Arrêt (entrée) (aucune utilisation)
9	DI02 GND	Capteur de débit (entrée) (normalement fermé)
10	DI03 GND	Protection en cas de basse pression
11	DI04 GND	Protection en cas de haute pression
12	DI05 GND	Aucune utilisation
13	DI06 GND	Aucune utilisation
14	AI01 GND	Température à l'aspiration (entrée)
15	AI02 GND	Température de l'eau à l'entrée (entrée)
16	AI03 GND	Température de l'eau à la sortie (entrée)
17	AI04 GND	Température du serpentin (entrée)
18	AI05 GND	Température ambiante (entrée)
19	AI06 GND	Vitesse ajustable du ventilateur/Température de l'échappement
20	CN1	Transformateur principal
21	CN2	Transformateur secondaire
22	CN6	Aucune utilisation
23	CN19	Vanne d'expansion électronique
24	5V CN16 GND	Débitmètre

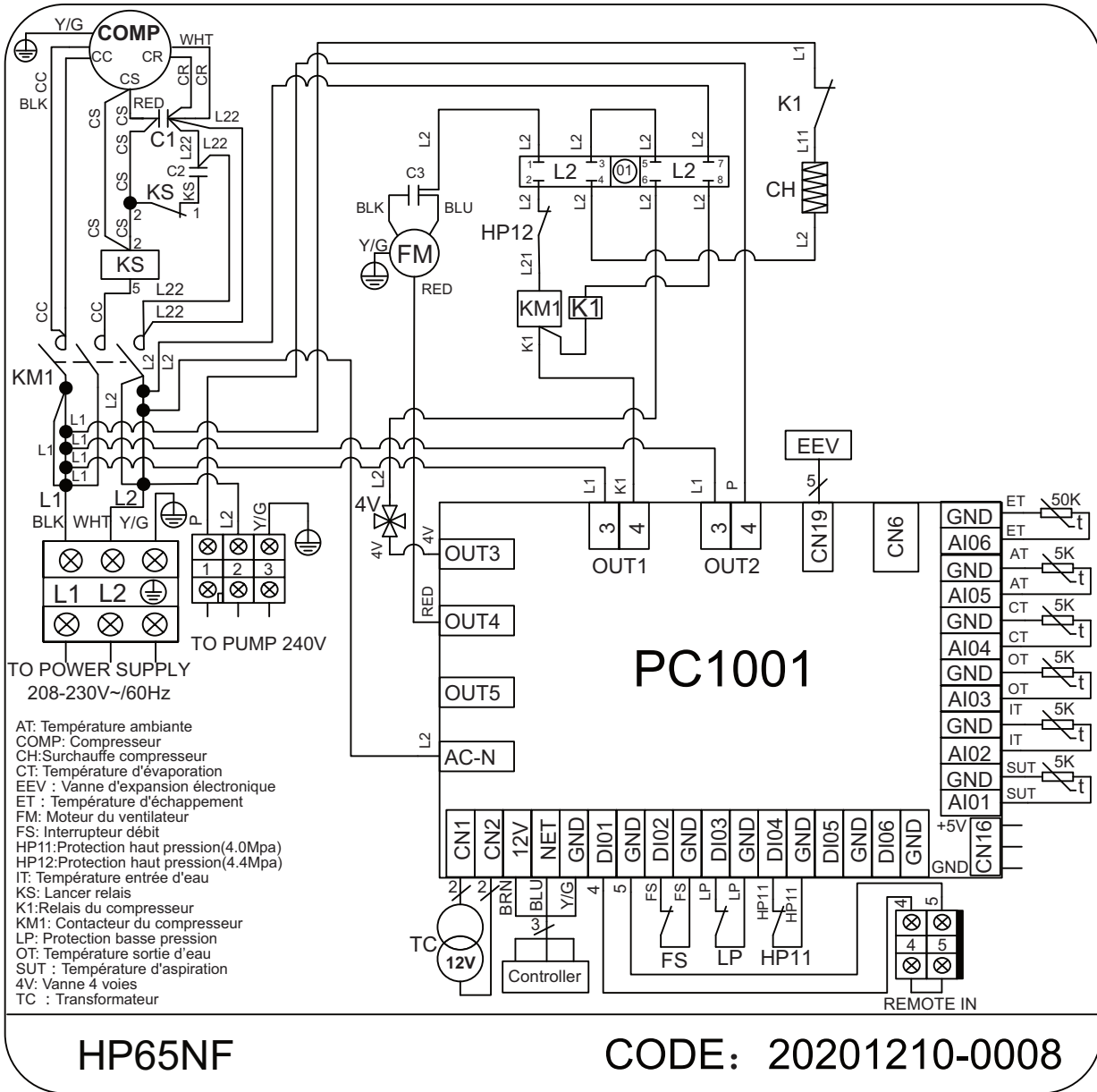
6. ANNEXES

6.2 Schéma de câblage



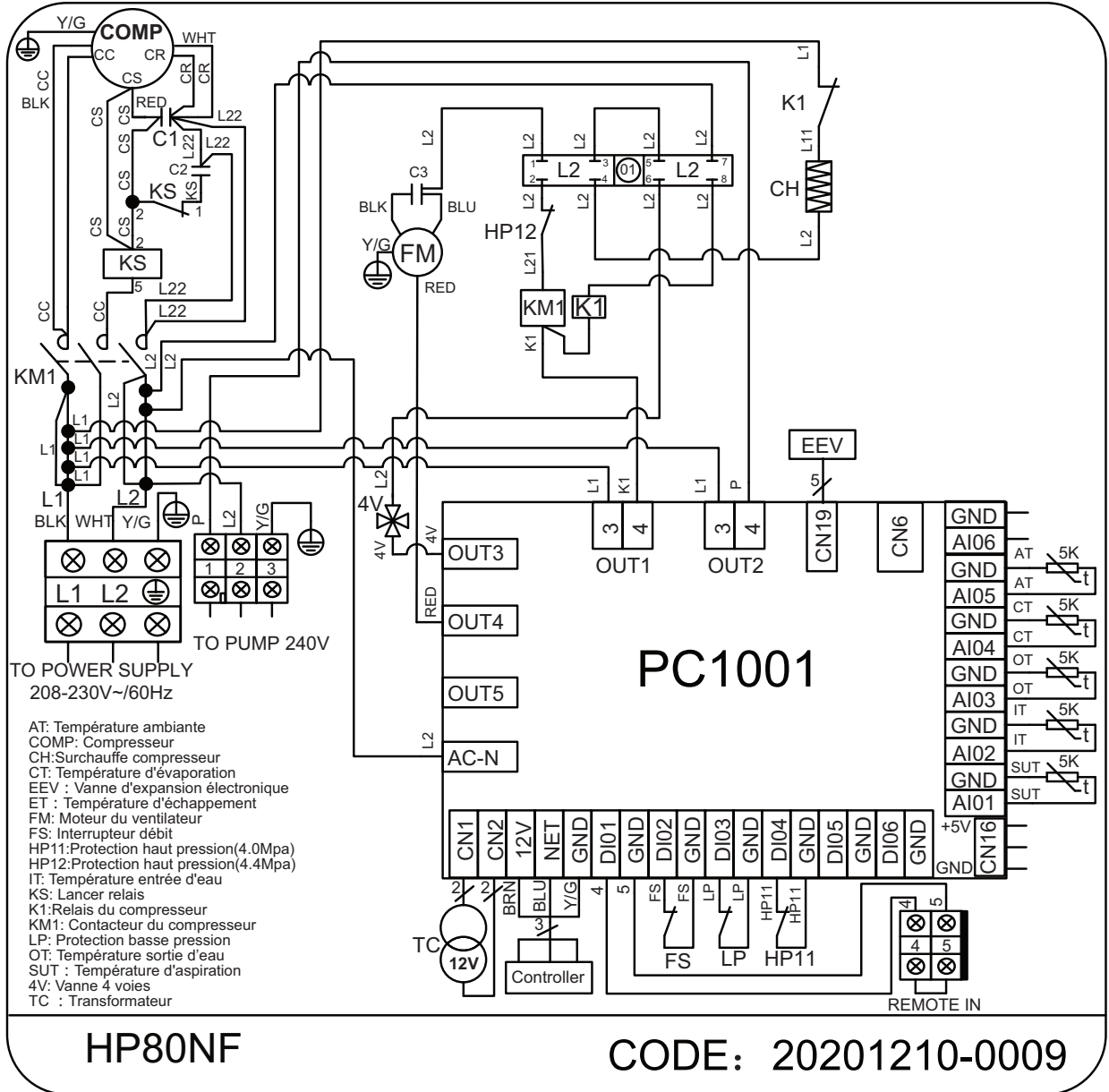
6.ANNEXES

6.2 Schéma de câblage



6.ANNEXES

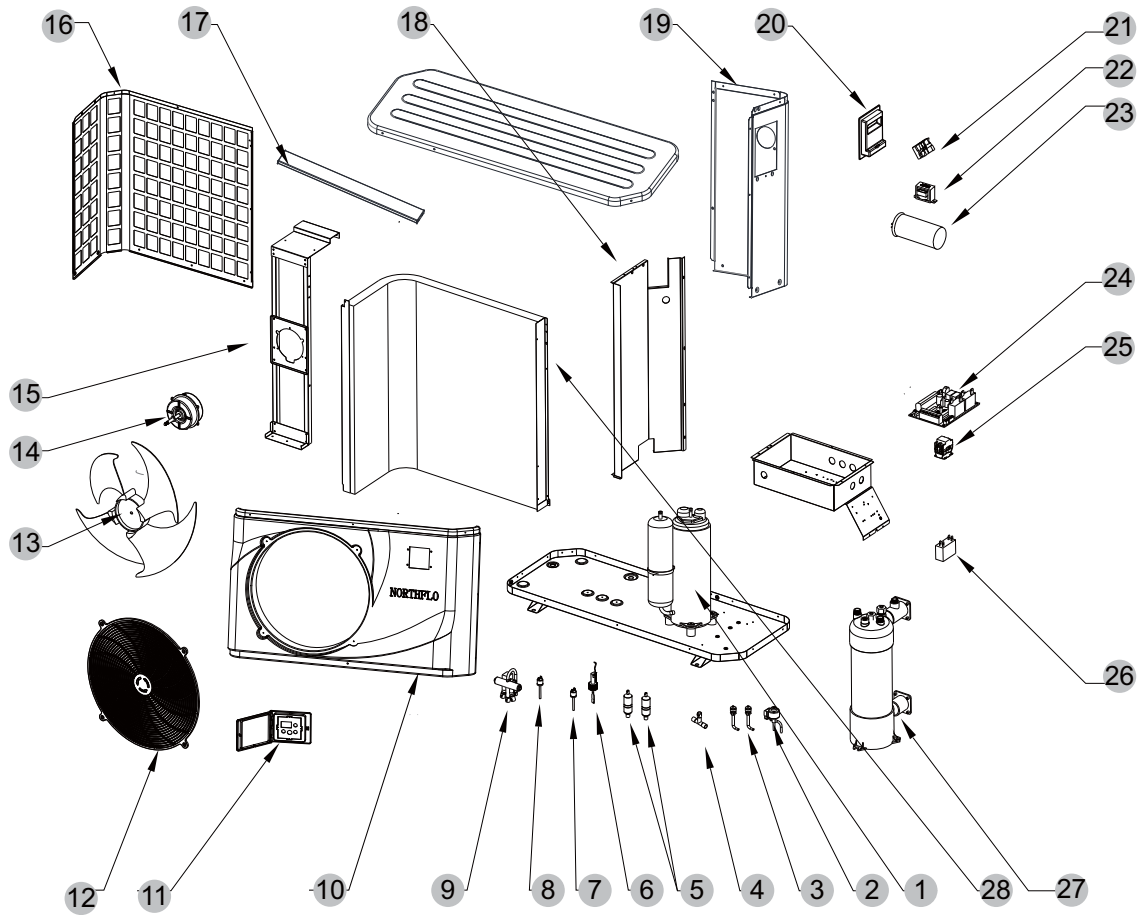
6.2 Schéma de câblage



6.ANNEXES

6.3 Vue éclatée et liste de pièces de rechange(HP50NF)

(1) Schéma complet d'explosion de la structure de la machine



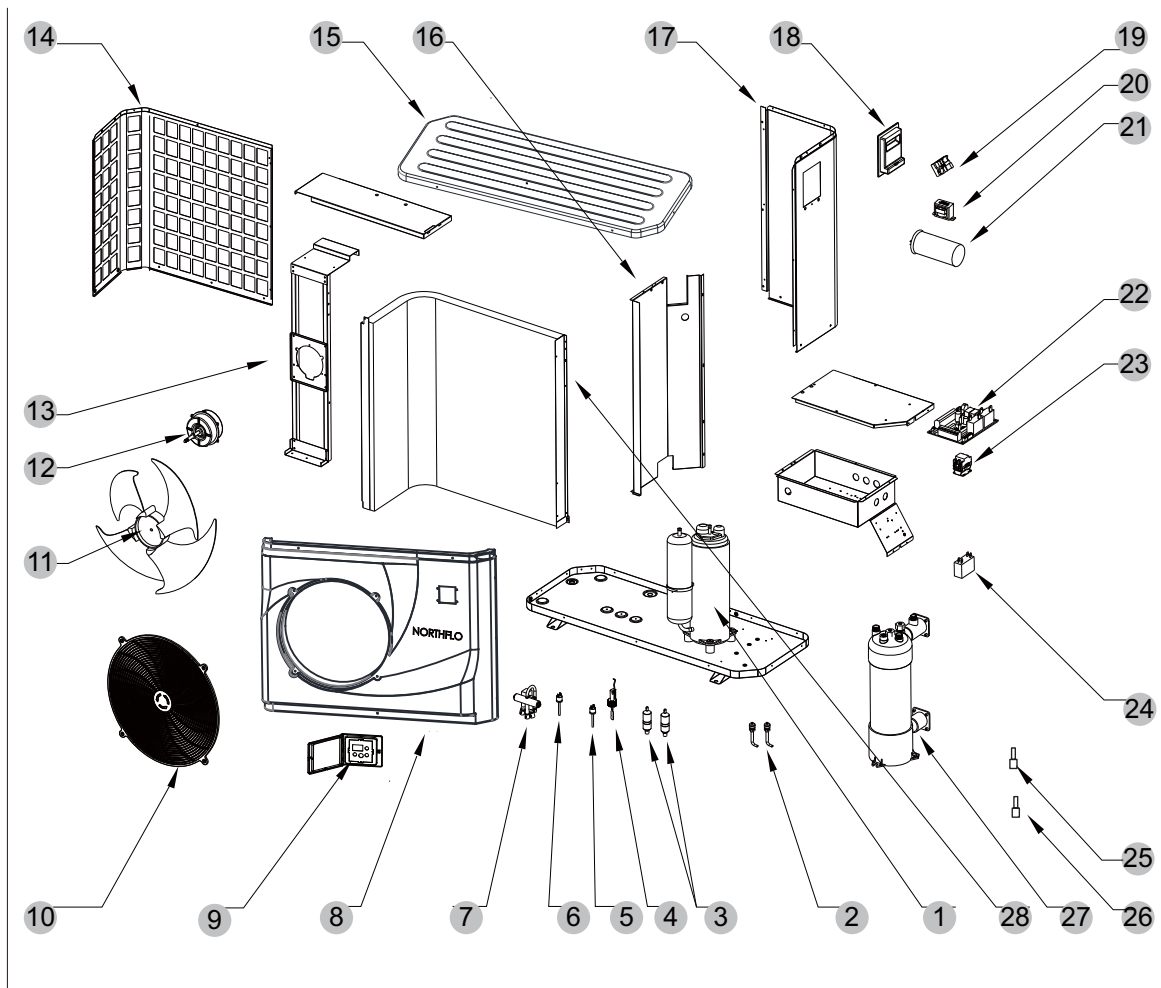
6.ANNEXES

(3) Liste des pièces principales

SN	HPX Code	La description	Spécification	Qty
1	HPX20000-110041	Compresseur	C-SBP105H16A	1
2	HPX20000-140179	Détendeur électronique	DPF(Q)2.2C-05	1
3	HPX20000-140353	Clapet anti-retour	70mm 1/2"	2
4	HPX2000-1460	Vanne d'entrée à 3 voies	Φ6.5-2×Φ6.5(T)×0.75 T2M	2
5	HPX2004-1444	Filtre	Φ9.7-Φ9.7 (Φ28) T2Y2	2
6	HPX20000-360005	Commutateur de débit d'eau	PSL-1 3/4	1
7	HPX2000-3603	Pressostat	0.30MPa/0.15MPa ±0.05	1
8	HPX20000-360059	Pressostat	3.2MPa/4.0MPa ±0.15	1
9	HPX20000-140485	Vlave 4 voies	DSF-11E-1030	1
10	HPX80901132	Panneau avant	ABS	1
11	HPX26300202	Contrôleur de fil LED207	82300029+82400226	1
12	HPX20000-220188	Filet de ventilateur en plastique	Φ507 ABS+30%GF	1
13	HPX3500-2701	Ventilateur à flux axial	Φ440×147-Φ12(10)×4	1
14	HPX20000-330124	Moteur axial	YDK45-6(YV060-1206P01-004)	1
15	HPX32012-210229	Support de moteur de ventilateur	Galvanized sheet	1
16	HPX32012-210507	Filet arrière	Galvanized sheet	1
17	HPX32012-210225	Plaque de support	Galvanized sheet	1
18	HPX32012-210424	Le haut	ABS	1
19	HPX80711854	Panneau droit	Galvanized sheet	1
20	HPX20000-220284	Le corps de la boîte de jonction	ABS	1
21	HPX2000-3909	Deux borniers	RS9211(450V~ 4mm2)	1
22	HPX20000-370003	Transformateur	EI48-1201000+(VH-3)、(VH-2)	1
23	HPX2000-3505	Condensateur de compresseur	CBB65-50μF/450V P2 B	1
24	HPX95005-310145	Contrôleur PC1001	82300022+35005-310145	1
25	HPX20000-360103	Contacteur AC	HCC-2XU04AA415	1
26	HPX2000-3501	Condensateur de ventilateur	CBB61-3μF/500V(450V)P2	1
27	HPX32012-120041	Échangeur de chaleur à tube en titane	Φ9.52×11m Φ110	1
28	HPX32012-120029	Échangeur de chaleur à ailettes	650×270×550×Φ7×2 2.0	1

6.ANNEXES

6.3 Vue éclatée et liste de pièces de rechange(HP65NF)



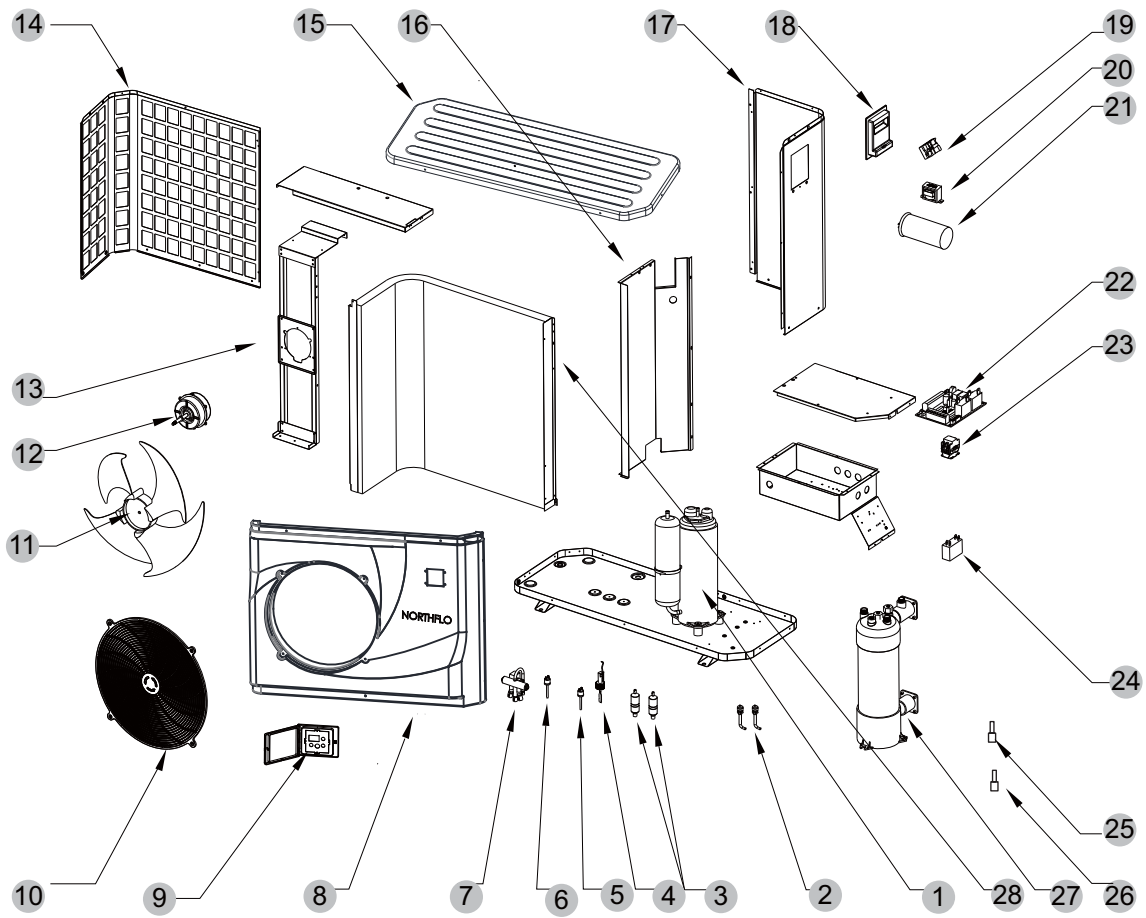
6.ANNEXES

(3) Liste des pièces principales

SN	HPX Code	Description	Specifications	Qty
1	HPX20000-110192	Compresseur	C-SBP105H16A	1
2	HPX20000-140153	Soupape à pointeau	90mm 1/2" T0306-10	2
3	HPX2004-1444	Filtre	Φ9.7-Φ4.2(Φ28) T2Y2	2
4	HPX20000-360005	Commutateur de débit d'eau	PSL-1 3/4	1
5	HPX2000-3603	Pressostat	0.30MPa/0.15MPa ±0.05	1
6	HPX20000-360059	Pressostat	3.2MPa/4.0MPa ±0.15	1
7	HPX2004-1437	Vlave 4 voies	SHF-9H-35U-P/C03C01S	1
8	HPX80901131	Panneau avant	ABS	1
9	HPX26300202	Contrôleur de fil LED207	82300029+82400226	1
10	HPX20000-220169	Filet de ventilateur en plastique	Φ500	1
11	HPX20000-270004	Ventilateur à flux axial	Z500-145	1
12	HPX20000-330143	Moteur axial	YDK90-6(YY070-1206P01-001)	1
13	HPX32009-210204	Support de moteur de ventilateur	Galvanisé	1
14	HPX80708920	Filet arrière	Galvanisé	1
15	HPX32009-210331	Le couvercle supérieur	ABS	1
16	HPX32009-210220	Partition centrale	Galvanisé	1
17	HPX80711034	Panneau droit	Galvanisé	1
18	HPX20000-220284	Le corps de la boîte de jonction	ABS	1
19	HPX2000-3909	Bornier à 3 positions	RS9211(450V~ 4mm ²)	1
20	HPX20000-370006	Transformateur	41X26.5F+(VH-3)、(VH-2)	1
21	HPX2000-3524	Condensateur de compresseur	BB65A-98μF/300VAC	1
22	HPX95005-310145	Contrôleur PC1001	82300022+35005-310145	1
23	HPX20000-360125	Contacteur AC	XTCG032C00AO	1
24	HPX2000-3509	Condensateur de ventilateur	CBB61-5uF/500V(450V)P2	1
25	HPX2000-3242	Capteur	150-502-98674(5K) 800mm	1
26	HPX2000-3223	Capteur	714×353×800×Φ7×2 2.0	1
27	HPX32009-120025	Échangeur de chaleur à tube en titane	Φ12.7×12m Φ160	1
28	HPX32009-120021	Échangeur de chaleur à ailettes	150-503-96115(50K) 600mm	1

6.ANNEXES

6.3 Vue éclatée et liste de pièces de rechange(HP80NF)



6.ANNEXES

(3) Liste des pièces principales

SN	HPX Code	Description	Specifications	Qty
1	HPX20000-110038	Compresseur	C-SBP120H16A	1
2	HPX20000-140153	Soupape à pointeau	90mm 1/2" T0306-10	2
3	HPX2004-1445	Filtre	Φ9.7-Φ4.2(Φ28) T2Y2	2
4	HPX20000-360005	Commutateur de débit d'eau	PSL-1 3/4	1
5	HPX2000-3603	Pressostat	0.30MPa/0.15MPa ±0.05	1
6	HPX20000-360059	Pressostat	3.2MPa/4.0MPa ±0.15	1
7	HPX2001-1491	Vlève 4 voies	SHF-20A-46/V6-412080-1XX	1
8	HPX80901131	Panneau avant	ABS	1
9	HPX26300202	Contrôleur de fil LED207	82300029+82400226	1
10	HPX20000-220169	Filet de ventilateur en plastique	Φ500	1
11	HPX20000-270004	Ventilateur à flux axial	Z500-145	1
12	HPX20000-330143	Moteur axial	YDK90-6(YV070-1206P01-001)UL	1
13	HPX32009-210204	Support de moteur de ventilateur	Galvanized sheet	1
14	HPX80708920	Filet arrière	Galvanized sheet	1
15	HPX32009-210331	Le couvercle supérieur	ABS	1
16	HPX32009-210220	Partition centrale	Galvanized sheet	1
17	HPX80711034	Panneau droit	Galvanized sheet	1
18	HPX20000-220284	Le corps de la boîte de jonction	ABS	1
19	HPX2000-3909	Bornier à 3 positions	UTD-63A/3P(L N PE)	1
20	HPX20000-370006	Transformateur	41X26.5F+(VH-3), (VH-2)	1
21	HPX2000-3524	Condensateur de compresseur	BB65A-98μF/300VAC	1
22	HPX72200053	Contrôleur PC1001	82300022+35005-310145	1
23	HPX20000-360125	Contacteur AC	XTCG032C00AO	1
24	HPX95005-310145	Condensateur de ventilateur	CBB61-5uF/500V(450V)P2	1
25	HPX2000-3242	Capteur	150-502-98674(5K) 800mm	1
26	HPX2000-3223	Capteur	150-503-96115(50K) 600mm	1
27	HPX32010-120012	Échangeur de chaleur à tube en titane	Φ12.7×14m Φ160SSSS	1
28	HPX32009-120021	Échangeur de chaleur à ailettes	714×353×800×Φ7×2 2.0	1

6.ANNEXES

6.4 Mises en garde et avertissements

1. Seuls un centre d'installation, un individu ou un détaillant autorisé peuvent procéder à la réparation de cet appareil.
2. L'appareil ne peut être utilisé par des personnes (notamment des enfants) ayant une déficience sensorielle physique ou mentale ou un manque d'expérience ou de connaissances à moins qu'elles soient supervisées ou qu'elles aient obtenu des directives concernant l'utilisation de l'appareil par la personne responsable de leur sécurité.

Les enfants doivent être supervisés pour qu'ils ne jouent pas avec cet appareil.
3. Assurez-vous que l'appareil et l'alimentation électrique sont bien mis à la terre, sinon une décharge électrique pourrait survenir.
4. Si le cordon d'alimentation est endommagé, il doit être remplacé par le fabricant ou par notre agent de service ou par une personne possédant des compétences semblables afin d'éviter tout danger.
5. Directive 2002/96/EC (WEEE) : Le symbole illustrant une poubelle barrée qui se trouve sous l'appareil indique que ce produit, une fois arrivé à la fin de son cycle de vie utile, doit être traité séparément des déchets domestiques, déposé dans un centre de recyclage d'appareils électriques et électroniques ou retourné au détaillant au moment de l'achat d'un appareil équivalent.
6. Directive 2002/95/EC (RoHs) : Ce produit est conforme à la directive 2002/95/EC (RoHs) en ce qui concerne les restrictions quant à l'utilisation de produits dangereux dans les appareils électriques et électroniques.
7. L'appareil NE PEUT PAS être installé près d'une source de gaz inflammable. En présence de toute fuite de gaz, un incendie pourrait se déclarer.
8. Assurez-vous qu'il a un disjoncteur pour l'appareil; l'absence d'un tel disjoncteur peut entraîner une décharge électrique ou un incendie.
9. La thermopompe contenue à l'intérieur de l'appareil est dotée d'un système de protection de surcharge. Il empêche l'appareil de démarrer pendant au moins trois minutes après une interruption.
10. L'installation doit se faire dans le respect des codes NEC/CCE, et ce, uniquement par une personne autorisée. (pour le marché nord-américain)
11. UTILISEZ DES CÂBLES D'ALIMENTATION ADÉQUATS POUR 75 °C.
12. Mise en garde : Échangeur thermique à une paroi; ne convient pas à un raccordement à de l'eau potable.

6.ANNEXES

6.5 Spécifications relatives aux câbles

1. Appareil monophasé

Courant maximum sur la plaque signalétique	Ligne monophasée	Ligne de mise à la terre	MCB	Protection contre les fuites	Ligne du signal
Pas plus de 10 A	2×1,5 mm ²	1,5 mm ²	20 A	30 mA moins de 0,1 s	n×0.5mm ²
10~16 A	2×2,5 mm ²	2,5 mm ²	32 A	30 mA moins de 0,1 s	
16~25 A	2×4 mm ²	4 mm ²	40 A	30 mA moins de 0,1 s	
25~32 A	2×6 mm ²	6 mm ²	40 A	30 mA moins de 0,1 s	
32~40 A	2×10 mm ²	10 mm ²	63 A	30 mA moins de 0,1 s	
40 ~63 A	2×16 mm ²	16 mm ²	80 A	30 mA moins de 0,1 s	
63~75 A	2×25 mm ²	25 mm ²	100 A	30 mA moins de 0,1 s	
75~101 A	2×25 mm ²	25 mm ²	125 A	30 mA moins de 0,1 s	
101~123 A	2×35 mm ²	35 mm ²	160 A	30 mA moins de 0,1 s	
123~148 A	2×50 mm ²	50 mm ²	225 A	30 mA moins de 0,1 s	
148~186 A	2×70 mm ²	70 mm ²	250 A	30 mA moins de 0,1 s	
186~224 A	2×95 mm ²	95 mm ²	280 A	30 mA moins de 0,1 s	

2. Appareil triphasé

Courant maximum sur la plaque signalétique	Ligne monophasée	Ligne de mise à la terre	MCB	Protection contre les fuites	Ligne du signal
Pas plus de 10 A	3×1,5 mm ²	1,5 mm ²	20 A	30 mA moins de 0,1 s	n×0.5mm ²
10~16 A	3×2,5 mm ²	2,5 mm ²	32 A	30 mA moins de 0,1 s	
16~25 A	3×4 mm ²	4 mm ²	40 A	30 mA moins de 0,1 s	
25~32 A	3×6 mm ²	6 mm ²	40 A	30 mA moins de 0,1 s	
32~40 A	3×10 mm ²	10 mm ²	63 A	30 mA moins de 0,1 s	
40 ~63 A	3×16 mm ²	16 mm ²	80 A	30 mA moins de 0,1 s	
63~75 A	3×25 mm ²	25 mm ²	100 A	30 mA moins de 0,1 s	
75~101 A	3×25 mm ²	25 mm ²	125 A	30 mA moins de 0,1 s	
101~123 A	3×35 mm ²	35 mm ²	160 A	30 mA moins de 0,1 s	
123~148 A	3×50 mm ²	50 mm ²	225 A	30 mA moins de 0,1 s	
148~186 A	3×70 mm ²	70 mm ²	250 A	30 mA moins de 0,1 s	
186~224 A	3×95 mm ²	95 mm ²	280 A	30 mA moins de 0,1 s	

Lorsque l'appareil doit être installé à l'extérieur, veuillez utiliser des câbles dotés d'une protection contre les rayons UV.

6.ANNEXES

6.6 Garantie

GARANTIE LIMITÉE DU MANUFACTURIER

GARANTIE LIMITÉE DU CHAUFFE-PISCINE THERMOPOMPE NORTHFLO

La thermopompe NORTHFLO est garanti contre tout défaut de matériaux et de fabrication pour une période de DEUX (2) ans sur les pièces et de DEUX (2) ans pour la main-d'œuvre. Le tube de l'échangeur de chaleur en titane a une garantie de CINQ (5) ans sur la pièce uniquement.

La garantie s'applique uniquement à l'emplacement d'origine et au propriétaire et n'est pas transférable. NORTHFLO n'annulera pas cette garantie en raison d'une composition chimique incorrecte de la piscine. La garantie n'est valable que si le produit est installé selon les spécifications NORTHFLO.

Cette garantie n'inclut pas le réfrigérant ou d'autres matériaux consommables, ni les services tels que l'inspection, la maintenance ou les appels de service inutiles en raison de rapports opérationnels erronés, de la position de la vanne externe ou du service électrique. Elle n'inclut pas non plus la réparation des dommages dus à la négligence, aux accidents, au gel ou à d'autres conditions au-delà de l'utilisation normale prévue de l'unité. Cette garantie est nulle si le produit est réparé ou modifié de quelque manière que ce soit par des personnes ou des agences autres que celles autorisées par NORTHFLO, et remplace toutes les autres garanties, explicites ou implicites, écrites ou orales. Il n'y a aucune garantie implicite de qualité marchande ou d'adéquation à un usage particulier qui s'applique à ce produit. Cette garantie s'applique uniquement au Canada.

À sa discrétion, NORTHFLO remplacera ou réparera toute pièce NORTHFLO qui est défectueuse si ces pièces sont retournées à notre usine, fret payé, pendant la période de garantie. Il est convenu que ce remplacement ou cette réparation est le seul recours disponible auprès de NORTHFLO. Sauf autorisation de NORTHFLO et effectuée par un centre de service agréé par l'usine, NORTHFLO n'est pas responsable de tout travail impliqué dans le retrait des pièces défectueuses ou l'installation de dommages consécutifs. Les pièces retournées et les services exécutés dans le cadre de cette garantie seront réparés ou remplacés et les frais de transport retournés seront payés d'avance, mais les moyens les meilleurs et les plus économiques.

Conservez ce certificat de garantie dans un endroit sûr et pratique pour vos dossiers.



83900308