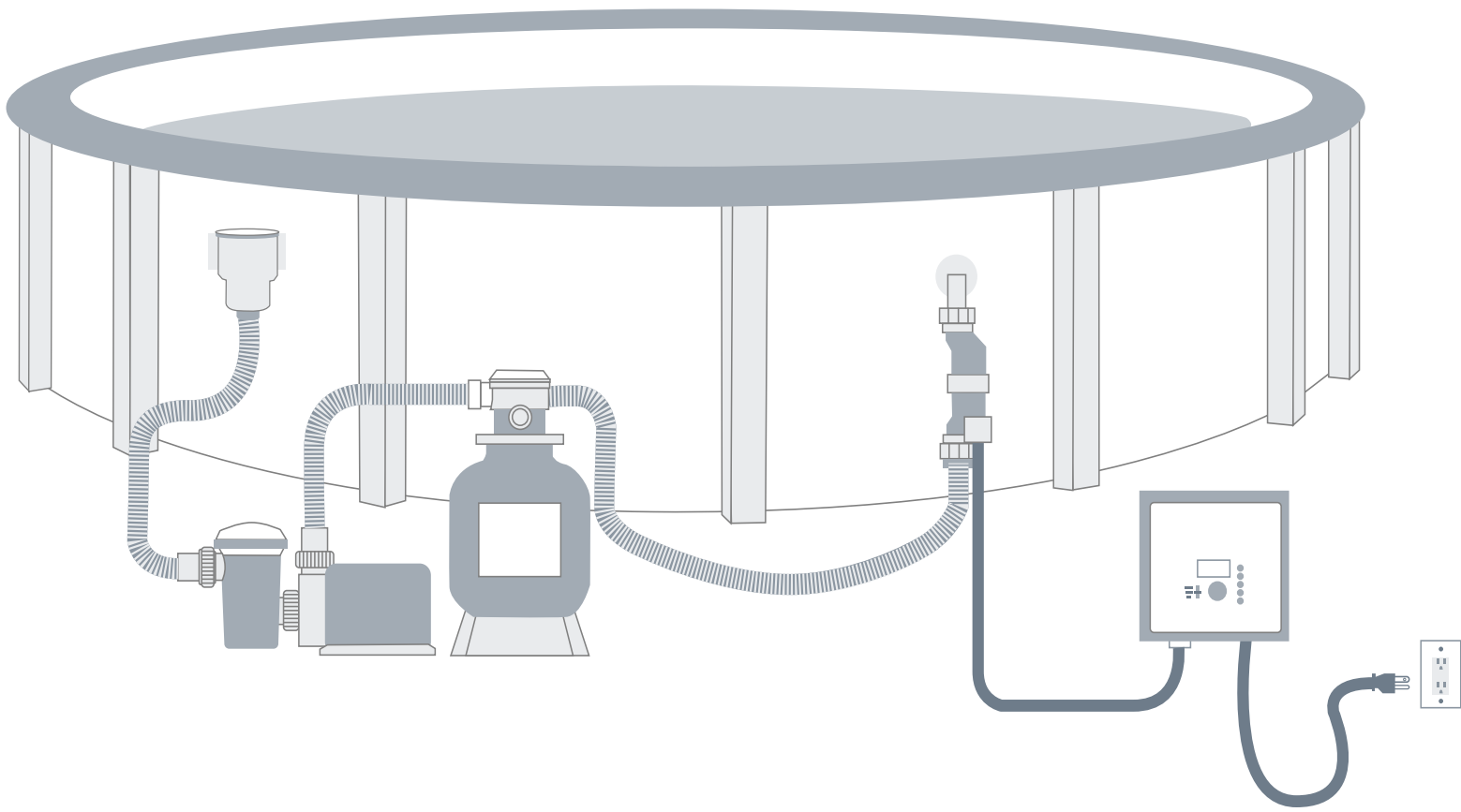




ABOVE GROUND POOL PLUMBING INSTALLATION GUIDE



ABOVE GROUND POOL PLUMBING INSTALLATION GUIDE

TABLE OF CONTENTS

- Pg 1 Parts/Tools Required, Filling Instructions
- Pg 2 Skimmer Installation
- Pg 3 Return Installation
- Pg 4 Lining up your System
- Pg 5 Connecting your System

ADDITIONAL OPTIONS

- Pg 6 Installing a Heater and Chlorinator
- Pg 7,8 Installing a Starbright Light
- Pg 9 Installing your Ocean Blue Jet Light
- Pg 10 Installing a U.V System

PARTS & TOOLS REQUIRED

- Shop Vacuum
- Utility Knife
- Drill (with multiple bits)
- Slot Screwdriver
- Phillips Screwdriver
- Hammer
- Teflon Tape
- Channel Locks
- Hack Saw
- Duct Tape

OPTIONAL TOOLS

- Silicone
- Glue/Primer (IPS Weld On)
- Lubricant
- Awl
- Additional Clamps
- Reducers
- Additional Flex Hose

STEP 1: FILLING INSTRUCTIONS

Once the pool has been constructed and the liner has been installed, follow the step-by-step plumbing installation instructions beginning with Step 1: Filling Instructions.

1. Using a shop vacuum, feed the intake hose through the return cut out in the steel wall. The hose should sit comfortably between the pool wall and the liner at a height of 1' off of the pool floor.
2. Use duct or wide style tape to tape off the skimmer cut out as well as the opening remaining around the return cut out/shop vacuum hose.
3. Turn on the vacuum. You should notice the liner stretch back against the pool walls.
4. Begin filling the pool with water - using a garden hose is preferred. If you are using a water truck, ensure the next step is done slowly.
5. Fill the pool to approximately 1' in depth. **Important: If the water level gets too high, the vacuum's hose will not come out from behind the liner and the pool will need to be drained until the hose can be removed.**
6. At this time, you will need to turn off the vacuum and remove the vacuum hose from behind the liner.
7. Continue to fill the pool until you have reached 2-3" below the metal cut-out for the return. You can now begin the plumbing installation.



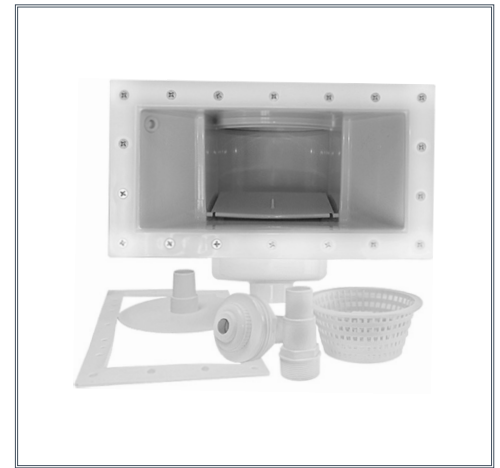
ABOVE GROUND POOL PLUMBING INSTALLATION GUIDE

STEP 2: SKIMMER INSTALLATION

1. Place the face of the skimmer (Basket cover up) against the exterior wall, with the gasket between the panel and the skimmer. Align skimmer face and gasket with drilled panel holes. Align second gasket and faceplate before fastening lightly to skimmer face with the screws provided.

Note: Some skimmers provide a 2-in-1 gasket.

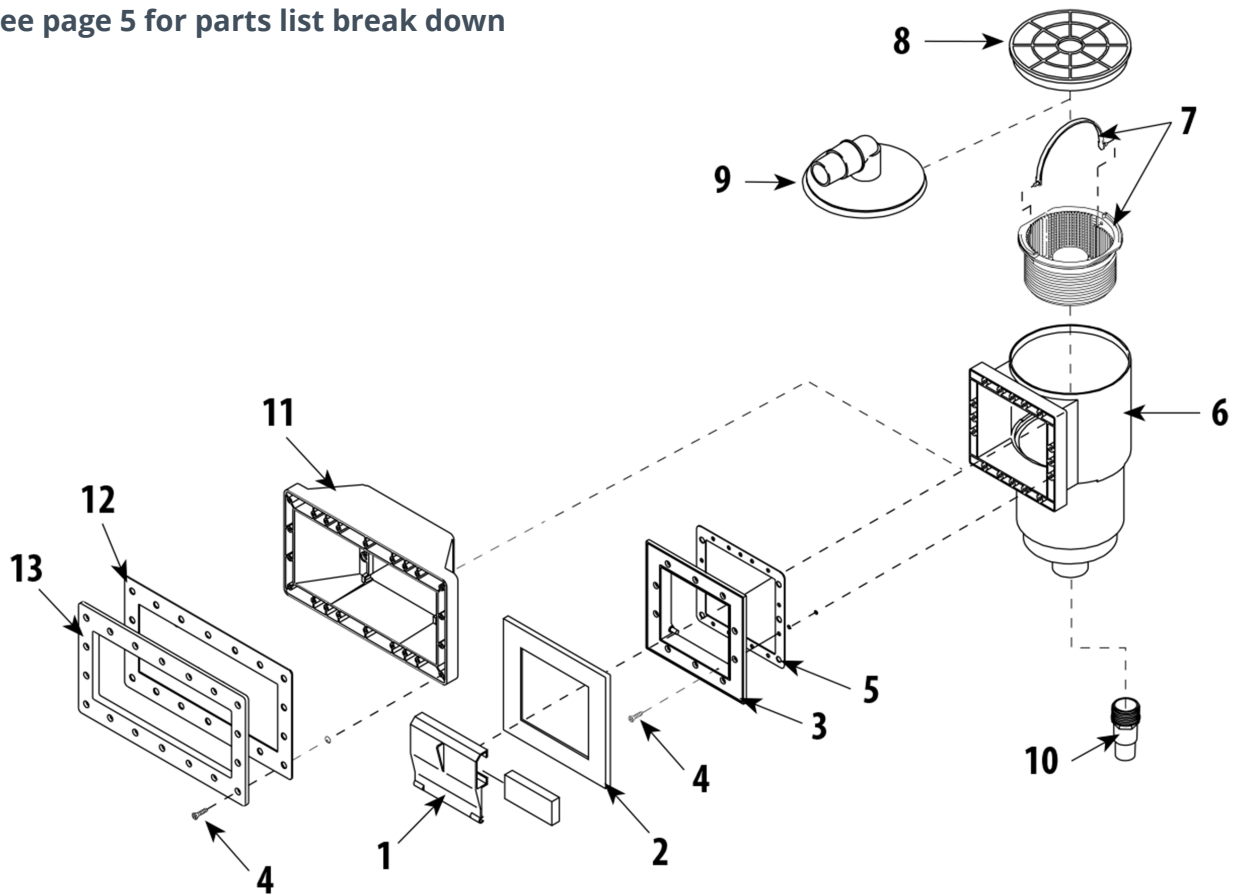
2. Fasten screws securely through: 1) the face plate, 2) vinyl liner, 3) gasket, 4) pool wall, 5) gasket, 6) the skimmer housing.
3. Using a utility knife, cut out the vinyl liner along the in-side edges of the face plate.



Important: The pool wall will be located:

- Between gaskets #3 and #5 for the 6" skimmer
- Between gaskets #12 and #13 for the 12" skimmer

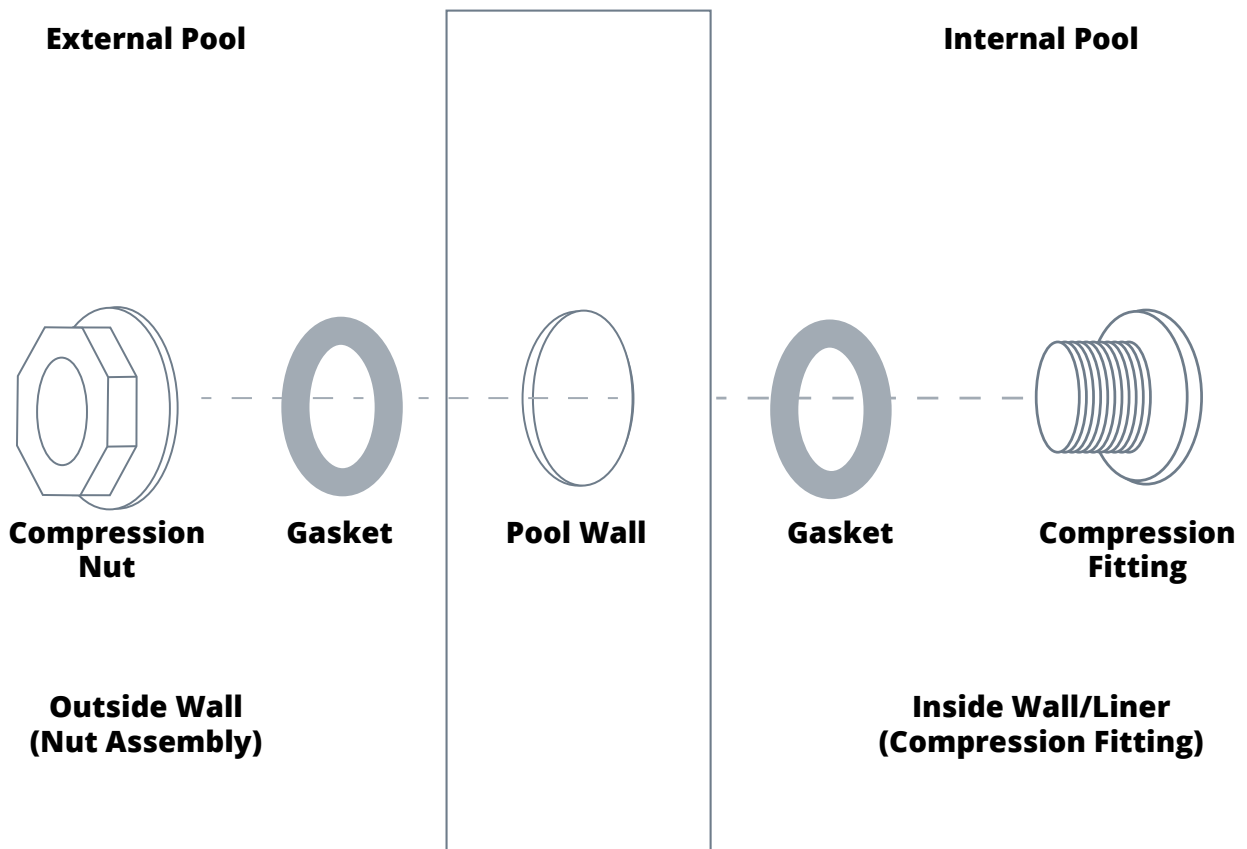
*See page 5 for parts list break down



ABOVE GROUND POOL PLUMBING INSTALLATION GUIDE

STEP 3: RETURN INSTALLATION

1. Remove back nut from return assembly (Female)
2. Using the compression fitting of the return (Male), gently press vinyl liner through return cut out from inside of the pool.
3. Use a utility knife to cut an "X" in the circular imprint.
4. Push the male end through the "X" and the return cut out.
5. Remove the remaining vinyl ends with a utility knife by cutting in a circular motion around return.
6. Add remaining gaskets and screw on compression nut. Hand tighten to firm.



ABOVE GROUND POOL PLUMBING INSTALLATION GUIDE

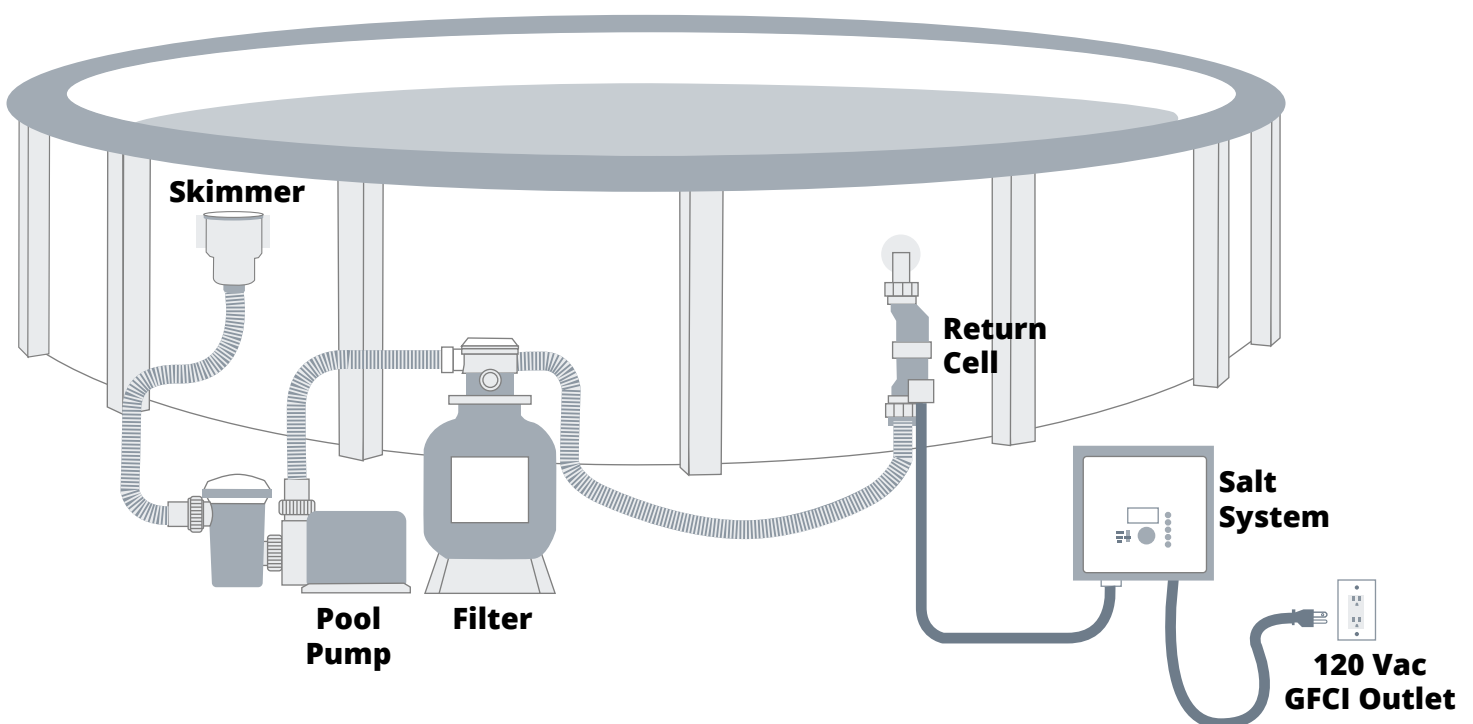
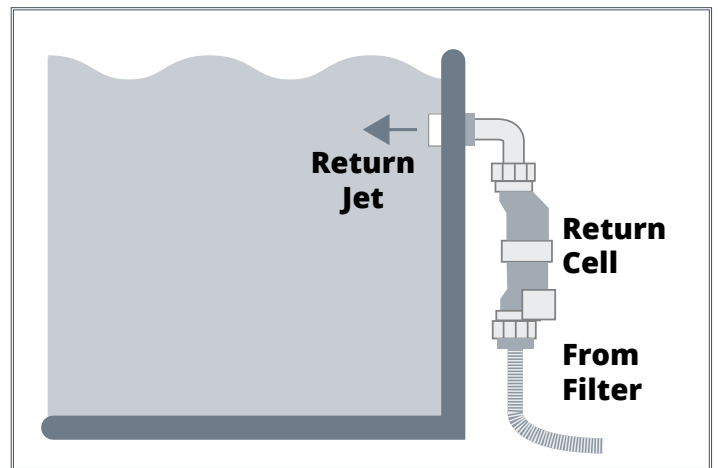
STEP 4: LINING UP YOUR SYSTEM

Important: All pool equipment should be set up on a level, solid surface.

1. Remove all plumbing equipment from packaging, keeping all product instructions together.
2. Every basic system must compose of a pump and filter. Please refer to the diagram below for the most basic set up.

Basic Setup - Directional Flow: Skimmer > Pump > Filter > Return

3. If adding a Chlorinator/Salt System/U.V. System, these will generally be located between the outtake of the filter, and intake of the return. Please refer to your product instructional booklets for proper positioning.
4. After reviewing your product instructions for pump, filter, and any additional equipment, you can position your equipment appropriately.
5. You are now ready to connect the equipment.



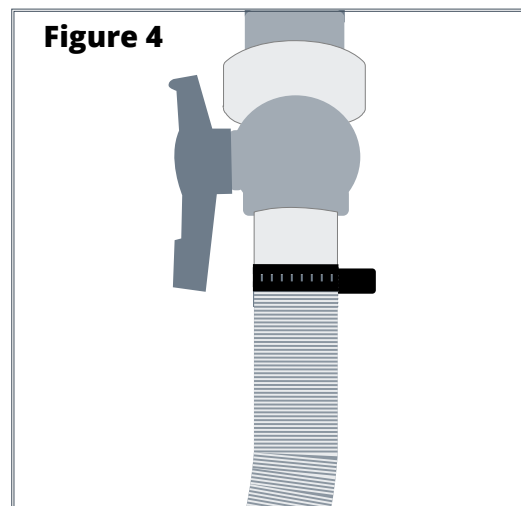
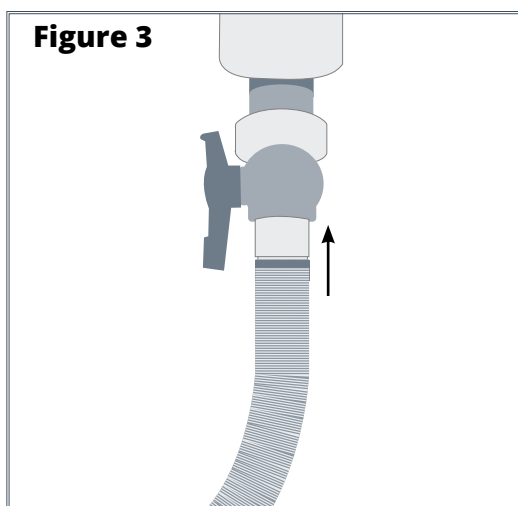
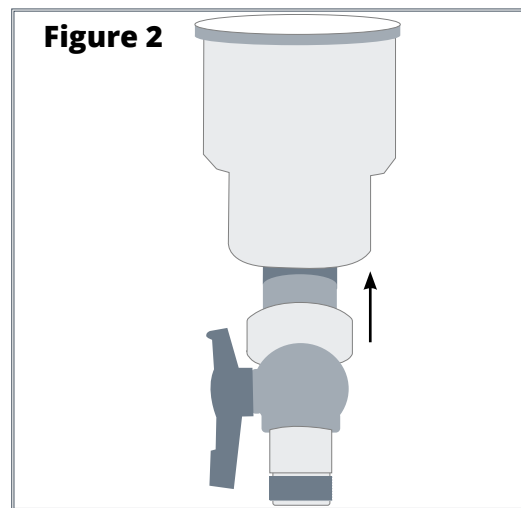
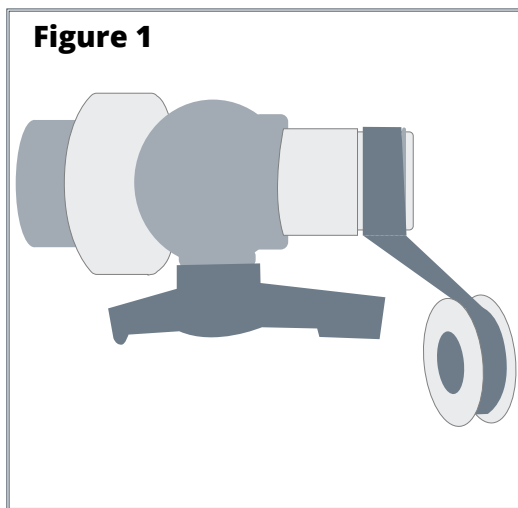
ABOVE GROUND POOL PLUMBING INSTALLATION GUIDE

STEP 5: CONNECTING YOUR SYSTEM

1. In order to complete your plumbing installation, you will have to make several connections to complete your system.
2. Using your Pool Supplies Canada teflon tape, wrap the fitting treads in a clock-wise direction against the threads of the fitting, as seen in the picture beside. Make sure entire threads have been covered twice around with teflon tape. See Figure 1.
3. Screw the taped fitting into the receiving end of the product being connected. (skimmer, pump, filter, etc.) See Figure 2.
4. Cut the flex hose to appropriate length, ensuring cut is a straight as possible.
5. Connect flex hose to the ridged end of the fitting by carefully wiggling the hose from side to side. See Figure 3.
6. Install and tighten stainless steel clamp to firm. See Figure 4.

Please refer to your product information guide if you have any additional connection questions.

When connecting a Heater, it is recommended that you use a bypass.



ABOVE GROUND POOL PLUMBING INSTALLATION GUIDE

HEATER INSTALLATION

All heaters can vary in size, output, and condition as to how it heats your water flow. You must always consult your products instructions carefully before connecting it to your system. Most common heater types; Gas (natural/propane), electric, solar and heat pumps.

1. Consult your product instructions.
2. Identify proper unit positioning and place unit in accordance. The heater is almost always found directly after the pool filter.
3. If needed: Set up appointment with a licensed professional to hook up the required heater input (ie. Gas or Electrical hook up)
4. Using "Step 5: Connecting Your System" as a guide, make the necessary water flow "in and out" connections while always referring to your individual product instructions.
5. Using the previously learned information in this guide, complete your system.

General System Connection Set-up: Skimmer (out) > Pump (in) > Pump (out) > Filter (in) > Filter (out) > Heater (in) > Heater (out) > Return (in)

When installing, it is recommended that you use a bypass.

CHLORINATOR INSTALLATION (SALT / CHLORINE)

Note: All chlorinators can vary in make, model, output and connection type. You must always consult your products instructions carefully before connecting it to your system. The most common chlorinators include Online and Offline Chlorine dispensers and Salt chlorinators.

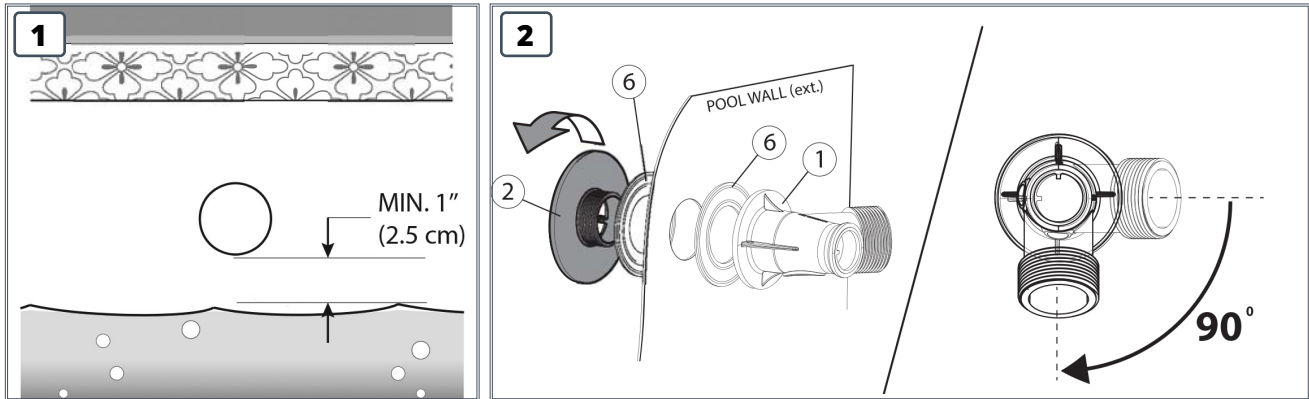
1. Consult your product instructions. Identify proper unit positioning and place unit in accordance. The chlorinator is almost always found directly after the pool filter(or heater if applicable) and before the pool return.
2. If needed: Set up appointment with a licensed professional to hook up the required electrical to the unit.
3. Using "Step 5: Connecting Your System" as a guide, make the necessary water flow "in and out" connections while always referring to your individual product instructions.
4. Using the previously learned information in this guide, complete your system.

General System Connection Set-up: Skimmer (out) > Pump (in) > Pump (out) > Filter (in) > Filter (out) > Chlorinator (in) > Chlorinator (out) > Return (in)

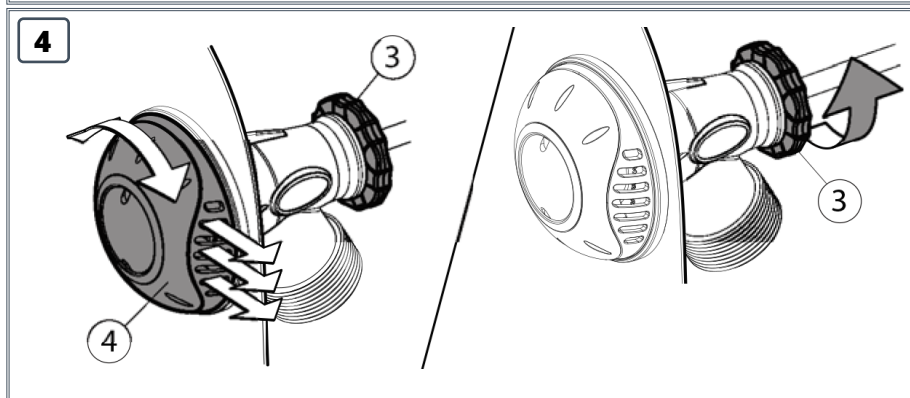
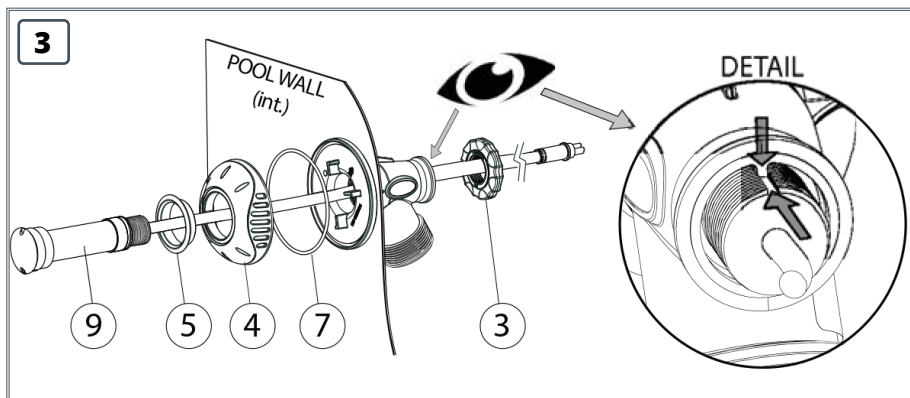
When installing, it is recommended that you use a Check Valve

ABOVE GROUND POOL PLUMBING INSTALLATION GUIDE

INSTALLING YOUR CARVIN STARBRIGHT LIGHT

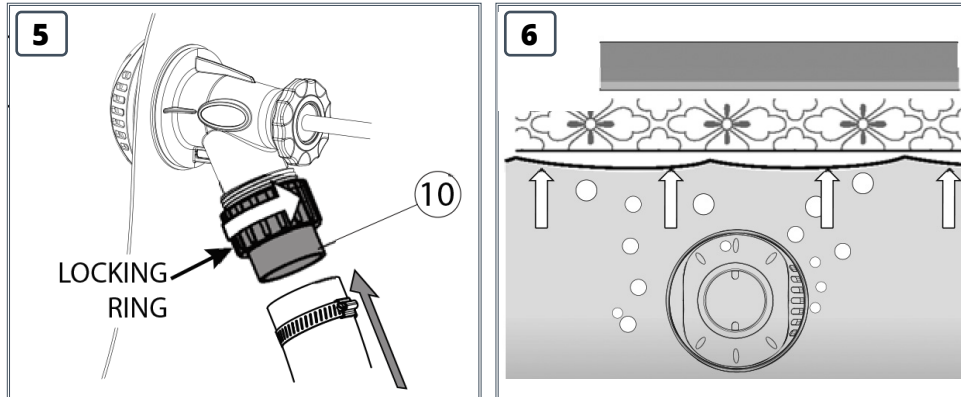


1. The water level of your pool must be at least 1 inch below the opening on your pool's wall. Disconnect the water inlet hose from the inlet fitting. Completely remove the inlet fitting. At this point, the hole on your pool wall is all that remains.
2. Screw the wall plate (2) into the main body (1) trapping a wall gasket (6) on each side of the pool wall. Hand tighten the wall plate keeping the main body with the water inlet horizontally to the right. Once the wall plate (2) is tight, complete by holding the wall plate and turning the main body 90 degrees as shown.
3. Assemble the remaining parts (9,5,4,7,3). Be careful to align the main body's key (1) onto the light's (9) keyway. See detail.
4. Screw the compression nut (3). **Do not tighten.** Position the Dome (4) to direct the water flow. Screw the compression nut (3) until you feel a slight resistance. Complete by adding a 1/4 turn. **Do not over tighten.** The water tightness is not determined by the compression nut.

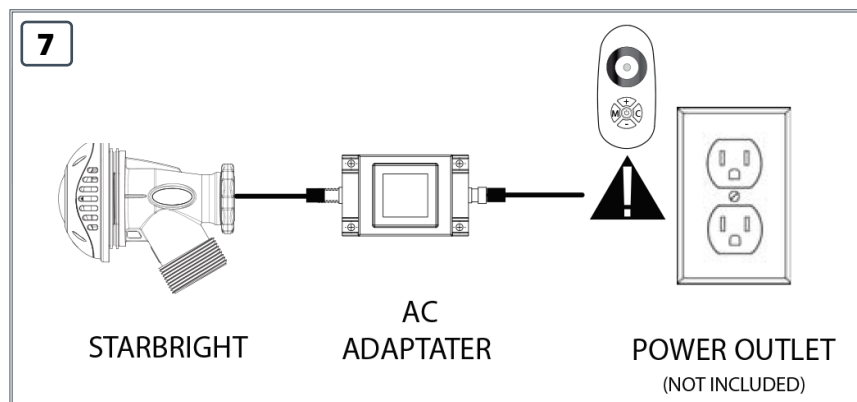


ABOVE GROUND POOL PLUMBING INSTALLATION GUIDE

INSTALLING YOUR CARVIN STARBRIGHT LIGHT



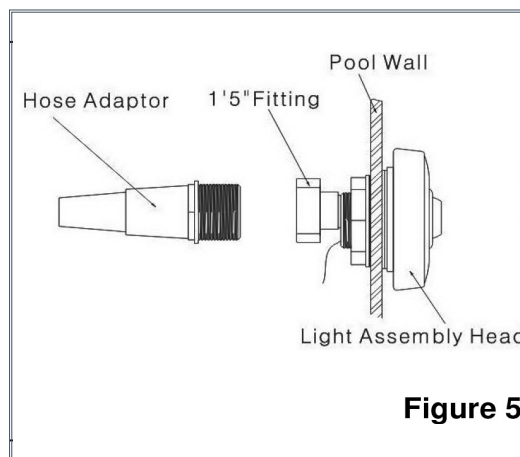
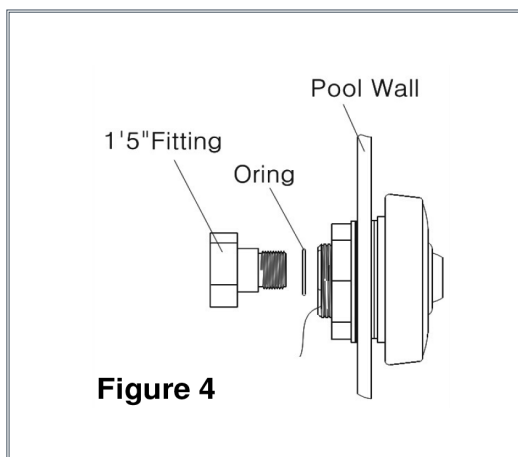
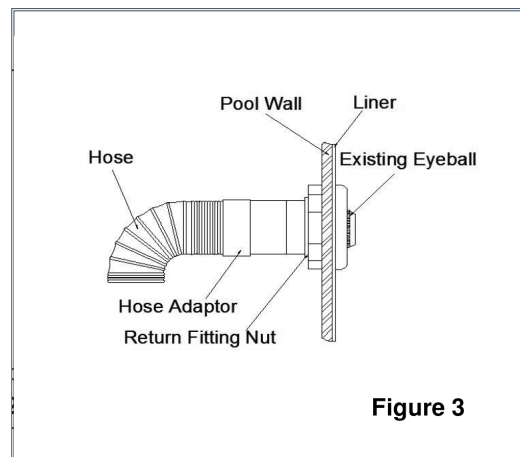
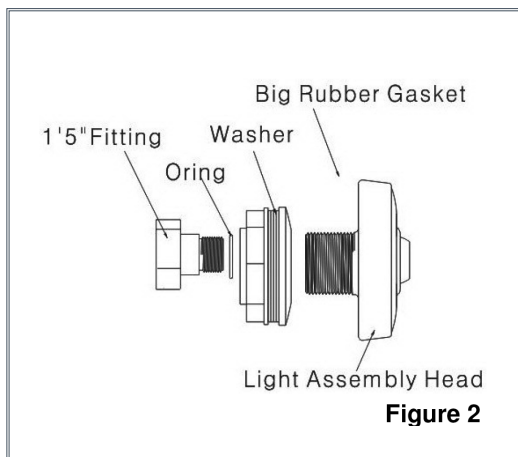
5. Choose your union (10) and screw it onto the main body (1) with the locking ring. Connect or glue your inlet hose.
6. Raise your water level to the appropriate level for your pool.
7. Install your AC adapter preferably sheltered from the elements. Connect the light to your AC adapter. Read the following instructions before connecting to power outlet:
Instructions: At first use, the remote must be paired with the light. Within the first 10 seconds following connection to your power outlet, press M button and C button simultaneously on the remote control. Try the remote and repeat if necessary, always disconnecting power between each try. Make sure there is no short-circuit.



ABOVE GROUND POOL PLUMBING INSTALLATION GUIDE

INSTALLING YOUR OCEAN BLUE JET LIGHT

1. Drain water to below the return fitting (If installing in a new pool, fill until 2 - 3' below return cut out).
2. Dismantle light assembly head from return washer and housing. Install return washer and fittings by following Step 3: Installing your return fitting. Once completed, screw light assembly head into the return fitting from inside the pool. See Figure 4.
3. Connect 1.5" fitting to the light assembly head in the threaded wall flange. Make sure an O-Ring is installed and screw it tight enough to prevent any leaking. See Figure 4.
4. Install 1.5" screw in nipple to the 1.5" light fitting.
5. Connect the hose to the hose adapter using a stainless steel clamp.
6. Connect quick wire connection to transformer receiver.
7. Mount transformer on a vertical wall.
8. Plug the power cord's 3-prong plug into an appropriate 110V GFCI protected receptacle at least 10 feet from the pool.
9. If the light is not on, press switch on the transformer case.



ABOVE GROUND POOL PLUMBING INSTALLATION GUIDE

INSTALLING A UV PURIFICATION SYSTEM

Note: You must always consult your products instructions carefully before connecting it to your system.

1. Consult your product instructions.
2. Identify proper unit positioning and place unit in accordance. The PuraVida UV system is almost always found directly after the pool filter.
3. If needed: Set up an appointment with a licensed professional to hook up any necessary electrical connections.
4. Using "Step 5: Connecting Your System" as a guide, make the necessary water flow "in and out" connections while always referring to your individual product instructions.
5. Using the previously learned information in this guide, complete your system.

General System Connection Set-up: Skimmer (out) > Pump (in) > Pump (out) > Filter (in) > Filter (out) > UV Unit (in) > UV Unit (out) > Return (in)

