

CORAL SEAS

EPIC

above ground pool
CHANNEL LOK | OVAL INSTALLATION MANUAL

V35049

06.2020

ABOVE GROUND POOL SAFETY

PLEASE READ BEFORE INSTALLATION



WARNING

FAILURE TO HEED THESE WARNINGS CAN RESULT IN PERMANENT INJURY, PARALYSIS FROM A BROKEN NECK, ELECTROCUTION OR DROWNING.

THIS POOL IS NOT DESIGNED FOR DIVING OR JUMPING!
DANGEROUS INJURY CAN RESULT. SHALLOW WATER!

Carefully read, understand and follow all information in this user manual before installing and using the swimming pool. These warnings, instructions and safety guidelines address some common risks of water recreation, but they cannot cover all risks and dangers in all cases. Always use caution, common sense and good judgment when enjoying any water activity. **RETAIN THIS INFORMATION FOR FUTURE USE.**

Your pool contains a large quantity of water, and is deep enough to present inherent dangers to life and health unless the following safety rules are strictly observed. First-time users run the highest risk of injury. Make sure everyone understands and encourage all users especially children to learn how to swim. Learn Basic Life Support (Cardiopulmonary Resuscitation-CPR) and refresh this knowledge regularly. Instruct all pool users, including children, what to do in case of an emergency. Keep a working phone and a list of emergency phone numbers near the pool. This can make a life-saving difference in the event of an emergency. To ensure your pool is used safely you **MUST** observe the following safety precautions:

1. NO JUMPING OR DIVING

The top rail of your pool is not a walkway and must not be used for jumping or diving. Do not permit jumping or diving into the pool from a deck or the top rail of the pool. Diving or jumping into the pool can result in serious injury.

2. NEVER USE THE POOL ALONE

Never permit the pool to be used unless it is attended by at least one person other than the bather. Someone should always be available to lend assistance in an emergency. Designate a competent adult to supervise the pool each time it is being used. Vigilant supervision of weak swimmers and non-swimmers by a competent adult is required at all times, remembering that children under five are at the highest risk of drowning.

3. NEVER LEAVE CHILDREN UNATTENDED

Never leave a child alone and unsupervised in or near the pool—not even for a second. There is no substitute for constant adult supervision.

4. NO ROUGH PLAY

Do not permit "roughhousing" in and around your pool. Surfaces can become slippery and hazardous when wet.

5. LIGHT THE POOL AT NIGHT

If the pool is used after dusk, adequate lighting must be provided. Illumination in the pool area must be sufficient to clearly judge pool depth and all features in and around the pool. For lighting recommendations, consult your local licensed electrical contractor

6. RESTRICT ACCESS TO THE POOL

Do not leave chairs or other furniture beside the pool that could be used by a child to climb up into the pool. Ladders must be removed whenever the pool is unattended. A fence with a lockable gate around the pool or yard is strongly recommended and may be required by law in some jurisdictions. Secure doors and windows, where applicable to prevent unauthorized access to the swimming pool. Remove all toys from the swimming pool and surrounding area when not in use to avoid attracting children to the pool. Barriers, pool covers, pool alarms or similar safety devices are helpful aids, but they are not substitutes for continuous adult supervision.

7. NO ALCOHOL OR DRUGS

Never drink alcoholic beverages, use any intoxicants or medication which could hinder your judgment and reflexes.

8. KEEP YOUR POOL CLEAN AND SANITARY

Your filter system will remove suspended particles from the water and the surface skimmer will remove insects, leaves and other debris from the water surface. Use the correct pool chemicals as directed to destroy harmful bacteria and prevent formation of algae. Remember, unsanitary water is a serious health hazard.

9. KEEP OFF TOP LEDGES

Do not walk on top ledges. They can be slippery and they are not a walkway.

10. POOL COVER SAFETY

The cover must have a tamperproof locking retainer cable that positions the cover around the pool wall and keeps it securely in place. Never allow anyone, especially small children on the cover. Asphyxiation or drowning could result. Be sure to remove pool cover completely from the water surface before entering the pool. When purchasing any pool cover, please consult a swimming pool professional.

11. ELECTRICAL HAZARD

Never touch or attempt to service electrical equipment, including the filter when your body and/or the ground is wet. Electrocution or permanent injury due to high voltage (120V AC) could result. The pool should be bonded in accordance with Section 680-26 of the National Electrical Code. For further assistance contact your dealer or a local licensed electrician. Do not use pool during electrical or rain storms.

12. SAFETY EQUIPMENT

Keep a safety rope 1/4" by 50" with a flotation buoy with an outside diameter of 15". Have accessible in a prominent area by your pool. Keep a pole not less than 16 feet (4,88m) long with a blunt or hook end available at poolside in case of emergencies. Weak swimmers and non-swimmers should wear personal protection equipment when using the pool.

13. POOL CHEMICALS

Store pool chemicals out of the reach of children. Do not place chlorine, chlorine tablets or sticks directly into skimmer, or winterize your pool with liquid chlorine. Damage to the skimmer, pool liner and filter will result. Failure to obey this instruction will void all component warranties. Always follow chemical manufacturer's instructions when storing, handling and dispensing pool chemicals.

14. CHECK FOR DAMAGE

Periodically check your pool and ladder components for damage and wear. Be sure all screws are in place. Replace all damaged or worn components and tighten all screws before you use the pool, deck or ladders. At first sign, remove rust and touch up immediately.

15. POOL PARTS

Never modify the pool or accessories, or remove or drill holes in the pool, deck or ladder components unless instructed. Your pool wall is made of thin metal, there is an inherent cut hazard with metal so use gloves during installation. Always use Original Equipment Manufactured parts for your replacement parts.

FOLLOW ALL SAFETY INSTRUCTIONS

Read and follow all safety instructions packaged with pool, ladder, deck or any other accessory. Additional pool safety publications can be obtained by contacting: The Association of Pool & Spa Professionals (www.apsp.org)



IMPORTANT NOTICE READ BEFORE INSTALLATION!

The safety stickers must be installed as per following instructions. Failure to properly install warning labels will void warranty. Failure to mount these safety labels may subject you to substantial liability in case of injury. These warnings are not to be removed under any circumstances! If they become discolored or fall off please request replacements which will be sent at no charge.

PLACE SIGN ON LINER ABOVE WATER LINE, OPPOSITE ENTRY TO POOL



PLACE SIGN ON WALL NEXT TO POOL ENTRY



REMEMBER TO WATCH CHILDREN



IMPORTANT INFORMATION ABOUT YOUR LINER

We do not make or supply liners for our pools.

Please contact your liner's manufacturer with questions or if instructions are not included with the liner.

Liner must be installed per the liner manufacturer's instructions.

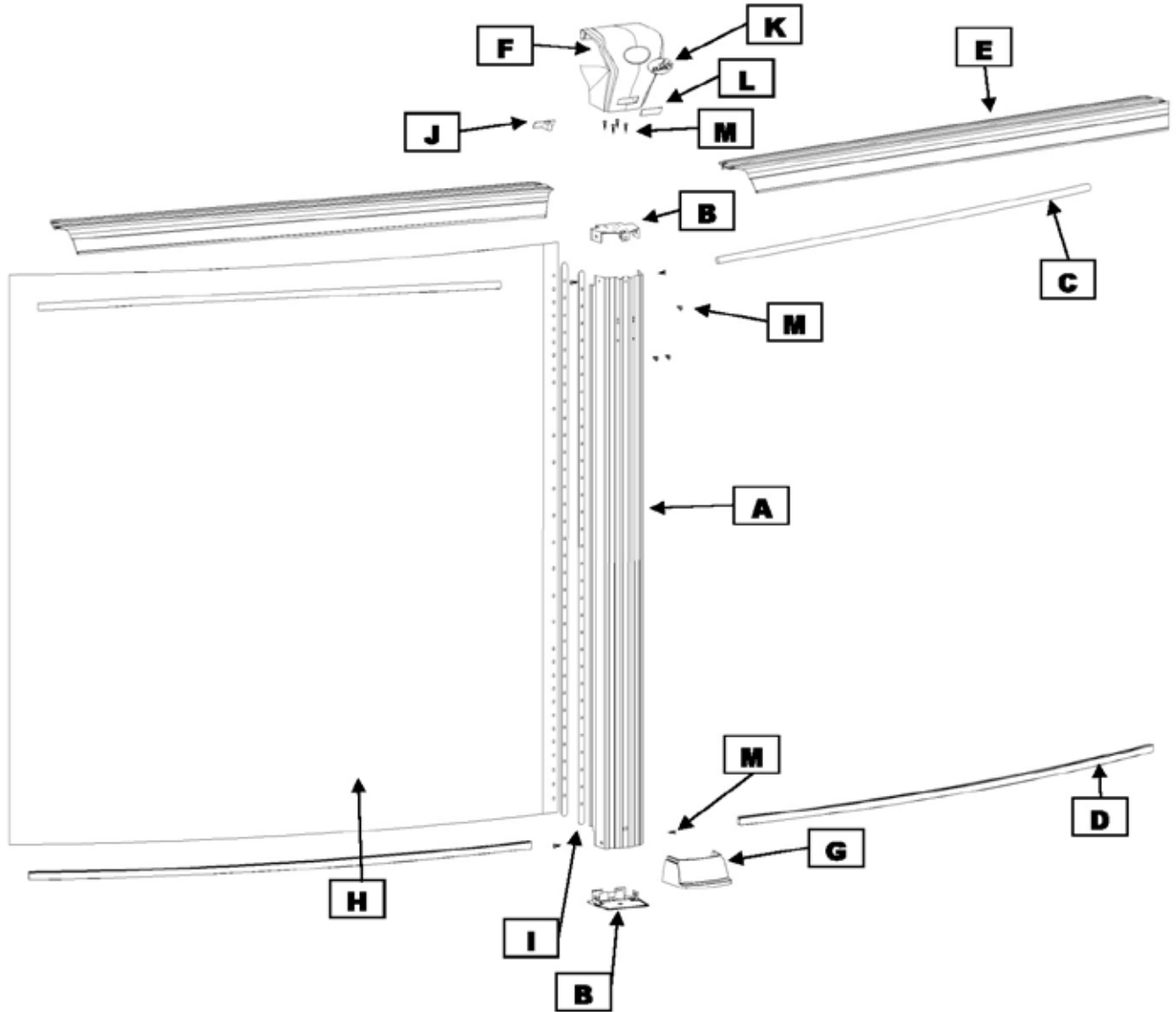
Incorrect liner installation may void the warranty.

Section
1

GENERAL INSTRUCTIONS - OVAL POOLS
GROUND PREPARATION

PARTS LISTING

Coral Seas STR
PCOR-52SSSTSSIB1
Round



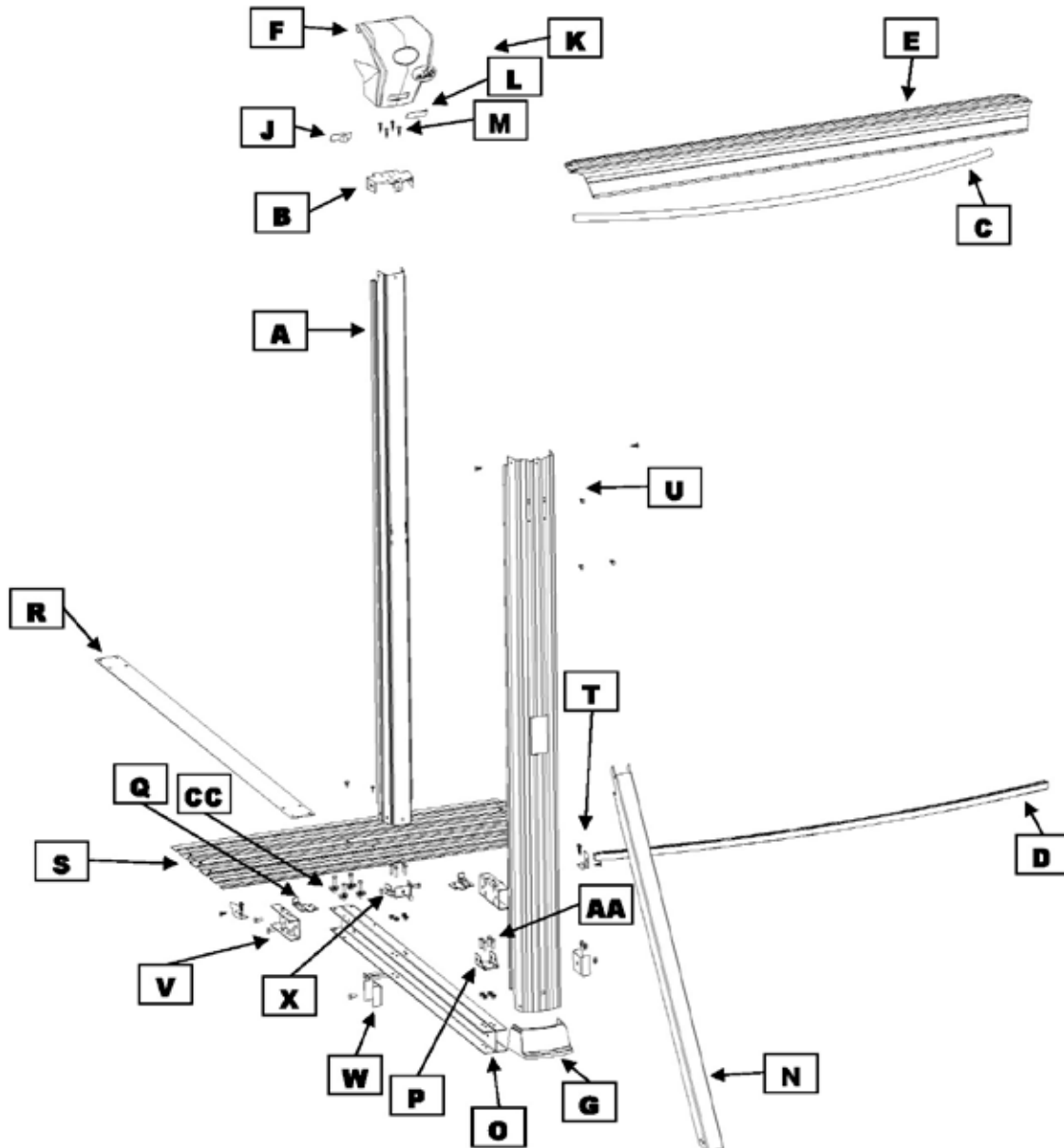
⚠ IMPORTANT NOTE:
Make sure you have all the parts necessary before you start installation.

Section
1

GENERAL INSTRUCTIONS - OVAL POOLS
GROUND PREPARATION

PARTS LISTING

Coral Seas STR
PCOR-CL52SSSTSSIB1
Channel Lock



Section 1

GENERAL INSTRUCTIONS - OVAL POOLS GROUND PREPARATION

PARTS LISTING

Product Description:			Coral Seas Oval					Revised Sept. 2019
Product Code:			PCOR-CL52SSSTSSIB1					
INDEX#	DESCRIPTION	PARTS#	Quantity required for installation (by pool size)					
			1218	1224	1524	1530	1833	
A	Upright	1440501	10	10	10	10	12	
A	Buttress Upright(straight section)	1440455	2	6	4	6	6	
B	Top Plate	1320178	12	16	14	16	18	
B	Bottom Plate	1320195	10	10	10	10	12	
C	Slotted tube	1470096	8	8				
C	Slotted tube	1470097			8	8		
C	Slotted tube	1470098	4				6	
C	Slotted tube	1470100			4	8	12	
C	Slotted tube	1470104		4				
C	Slotted tube	1470105		4	2			
	Round Coping	1382480	13	16	17	20	23	
	Slotted tube connector 6" (steel)	1470108	10	10	10	10	12	
	Slotted tube connector - side (resin)	1470087	2	6	6	6	6	
D	Bottom Rail 12' Dia.	LA1254412	8	8				
D	Bottom Rail 15' Dia.	LA1255615			8	8		
D	Bottom Rail 18' Dia.	LA1255618	4				6	
D	Bottom Rail 24' Dia.	LA1255624			4	8	12	
D	Bottom Rail 24' Dia.	1254424		4	2			
D	Bottom Rail 18' Dia.	LA1254418		4				
E	Top Ledge Curve	1450795	8	8				
E	Top Ledge Curve	1450796			8	8	10	
E	Top Ledge Str Side	1450584		4	2			
E	Top Ledge Str Side	1450585				4	4	
E	Top Ledge Trans	1450797		4				
E	Top Ledge Trans	1450798	4		4	4	4	
F	Ledge Cover - 1 Piece	1490586	12	16	14	16	18	
G	Foot cover	1490587	12	16	14	16	18	
H	Wall		1	1	1	1	1	
I	Wall joiner bar	11823	2	2	2	2	2	
J	Cover Hook (Optional)	1490589	6	6	6	6	6	
K	Logo Insert (pack of 4)	1490573	3	4	4	4	5	
L	Cover plug for ledge cover	1490588	12	16	14	16	18	
M	Screw 12 x 5/8"	1184105	147	195	177	195	224	
N	Diagonal for buttress	1440321	2	6	4	6	6	
O	Base Channel	1440336	4	12	8	12	12	
P	Diagonal Bracket	1320152	2	6	4	6	6	
Q	Left/Right upright Support Bracket	1320177	2	6	4	6	6	
R	Strap Section	1510135	2	6				
R	Strap Section	1510136			6	9		
R	Strap Section	1510137					12	
S	Hold Down Plate	1320165	2	6	4	6	6	
T	Left/Right upright Clip	1320169	2	6	4	6	6	
U	Notched upright	1440504	2	6	4	6	6	
V	Reinforcing Bracket	1320150	4	12	8	12	12	
W	Support Bracket	1320151	4	12	8	12	12	
X	Oval bottom Plate	1320154	2	6	4	6	6	
Y	Flange nut 1/4-20	1184052	47	141	94	141	141	
Z	Screw #12x 1/2"	1183273	14	42	28	42	42	

**Section
1**

**GENERAL INSTRUCTIONS - OVAL POOLS
GROUND PREPARATION**

PARTS LISTING

Product Description:		Coral Seas Oval		Revised Sept. 2019			
Product Code:		PCOR-CL52SSSTSSIB1					
		Quantity required for installation (by pool size)					
INDEX#	DESCRIPTION	PARTS#	1218	1224	1524	1530	1833
AA	Bolt 1 "	1184275	51	153	102	153	153
BB	Bolt 1/4-20x 2 1/4 "	1184276	5	15	10	15	15
CC	Nut clip 1/4-20	1184278	9	27	18	27	27
*	Hardware Pack (Qty. - 29)	1184298	1				1
*	Hardware Pack (Qty. - 59)	1184299	2	2	3	2	2
*	Hardware Pack (Qty. - 77)	1184300		1		1	1
**	Hardware bag/wall	1050000054	1	1	1	1	1
***	Hardware Pack	1184294	1	3	2	3	3
	Truss phill 18-8 bolts 18-8 1/4-0x3/4	99-0023	31	31	31	31	31
	Flange nuts S/S 1/4-20 Serrated	2FGS422	31	31	31	31	31
	Instruction DVD	SACWBI36877	1	1	1	1	1

* In the hardware pack (Qty...) you will find parts: #1184105

** In the hardware bag/wall you will find parts: #99-0023 - #2FGS422

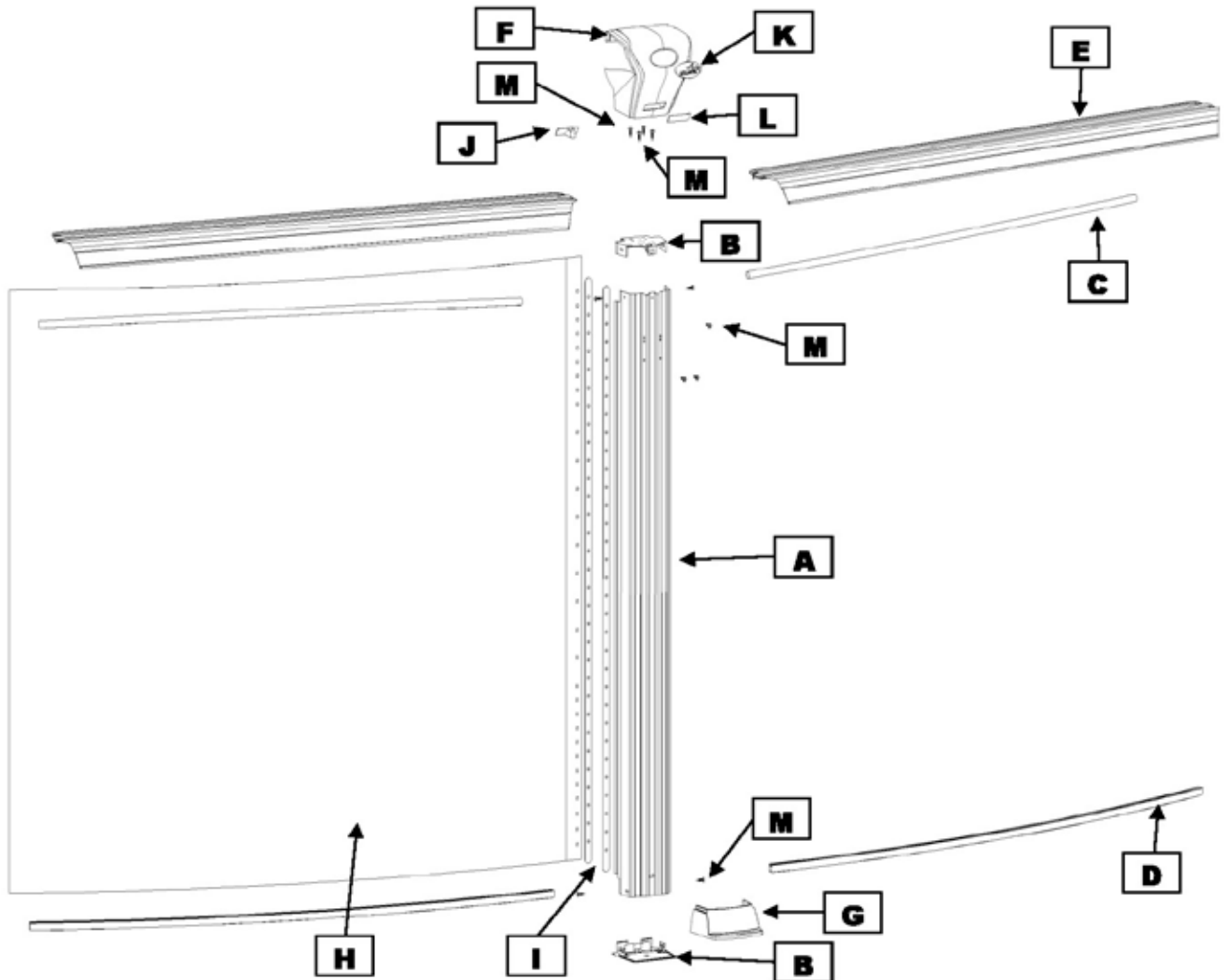
*** In the hardware pack you will find parts: #1184052 - #1183273 - #1184275 - #1184276 - #1184278 - #1184294

Section
1

GENERAL INSTRUCTIONS - OVAL POOLS
GROUND PREPARATION

PARTS LISTING

Epic STR
PEPI-52SSSTSSIC1
Round



IMPORTANT NOTE:

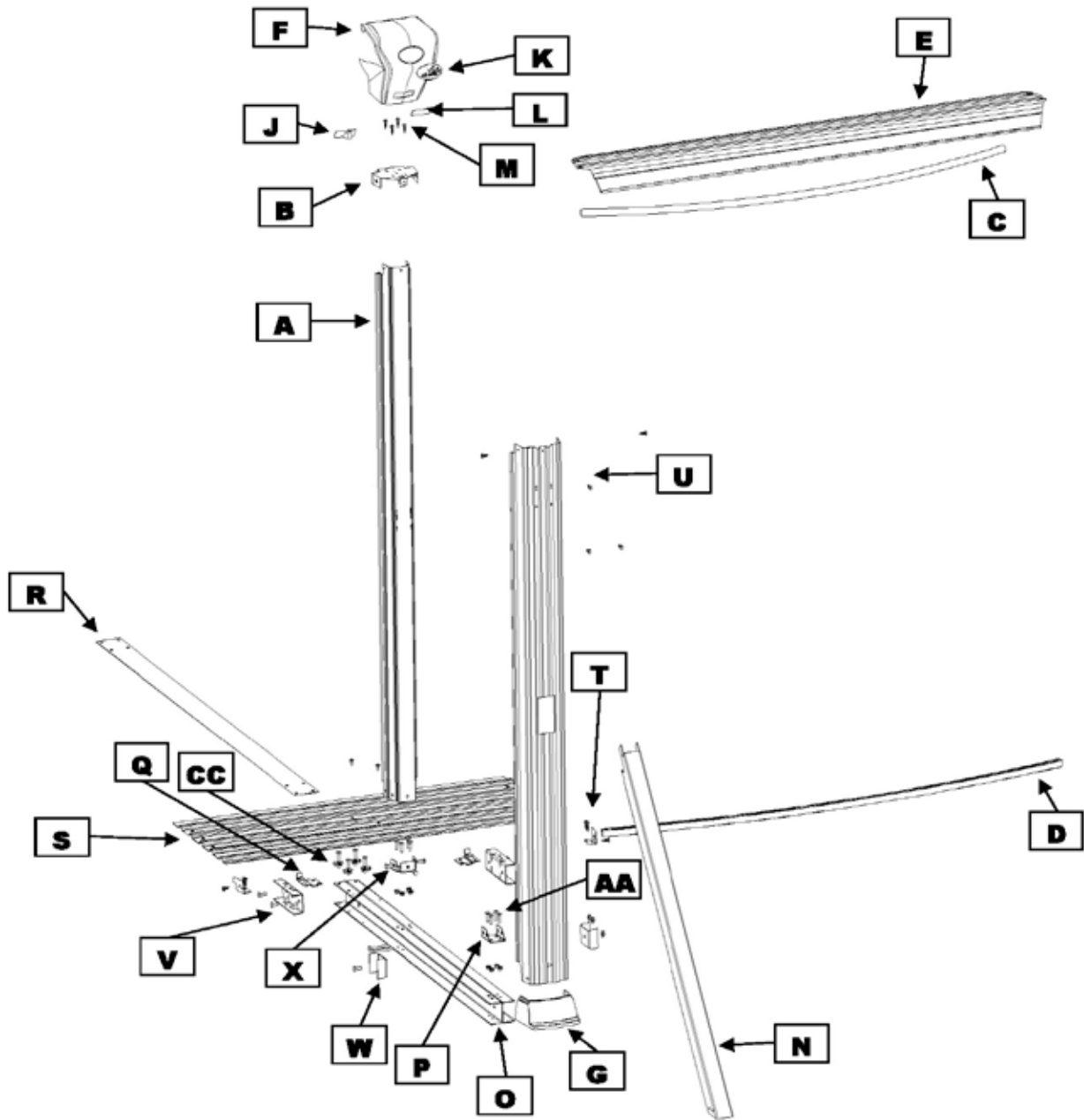
Make sure you have all the parts necessary before you start installation.

Section
1

GENERAL INSTRUCTIONS - OVAL POOLS
GROUND PREPARATION

PARTS LISTING

Epic STR
PEPI-CL52SSSTSSIC1
Channel Lock



Section 1

GENERAL INSTRUCTIONS - OVAL POOLS GROUND PREPARATION

PARTS LISTING

Product Description:		Epic Oval	Revised Sept. 2019			
Product Code:		PEPI-CL52SSSTSSIC1				
INDEX#	DESCRIPTION	PARTS#	Quantity required for installation (by pool size)			
			1224	1524	1530	1833
A	Upright	22228	10	10	10	12
A	Buttress Upright(Straight section)	1440455	6	4	6	6
B	Top Plate	1320178	16	14	16	18
B	Bottom Plate	1320195	10	10	10	12
C	Slotted tube	1470096	8			
C	Slotted tube	1470097		8	8	
C	Slotted tube	1470098				6
C	Slotted tube	1470100		4	8	12
C	Slotted tube	1470104	4			
C	Slotted tube	1470105	4	2		
	Slotted tube connector 6" (steel)	1470108	10	10	10	12
	Slotted tube connector - side (resin)	1470087	6	6	6	6
	Round Coping	1382480	16	17	20	23
D	Bottom Rail	LA1254412	8			
D	Bottom Rail	LA1255615		8	8	
D	Bottom Rail	LA1255618				6
D	Bottom Rail	LA1255624		4	8	12
D	Bottom Rail	1254424	4	2		
D	Bottom Rail	LA1254418	4			
E	Top Ledge Curve	1450795	8			
E	Top Ledge Curve	1450796		8	8	10
E	Top Ledge Str Side	1450584	4	2		
E	Top Ledge Str Side	1450585			4	4
E	Top Ledge Trans	1450797	4			
E	Top Ledge Trans	1450798		4	4	4
F	Ledge Cover - 1 Piece	22231	16	14	16	18
G	Foot cover	22232	16	14	16	18
H	Wall		1	1	1	1
I	Wall joiner bar	11823	2	2	2	2
J	Cover Hook (Optional)	22234	6	6	6	6
K	Logo Insert (pack of 4)	1490573	4	4	4	5
L	Cover plug for ledge cover	22233	16	14	16	18
M	Screw 12 x 5/8"	1184105	195	195	195	224
N	Diagonal for buttress	1440321	6	4	6	6
O	Base Channel	1440336	12	8	12	12
P	Diagonal Bracket	1320152	6	4	6	6
Q	Left/Right upright Support Bracket	1320177	6	4	6	6
R	Strap Section	1510135	6			
R	Strap Section	1510136		6	9	
R	Strap Section	1510137				12
S	Hold Down Plate	1320165	6	4	6	6
T	Left/Right upright Clip	1320169	6	4	6	6
U	Notched upright	22229	6	4	6	6
V	Reinforcing Bracket	1320150	12	8	12	12
W	Support Bracket	1320151	12	8	12	12
X	Oval bottom Plate	1320154	6	4	6	6
Y	Flange nut 1/4-20	1184052	141	94	141	141
Z	Screw #12x 1/2"	1183273	42	28	42	42

**Section
1**

**GENERAL INSTRUCTIONS - OVAL POOLS
GROUND PREPARATION**

PARTS LISTING

Product Description:		Epic Oval	Revised Sept. 2019			
Product Code:		PEPI-CL52SSSTSSIC1				
		Quantity required for installation (by pool size)				
INDEX#	DESCRIPTION	PARTS#	1224	1524	1530	1833
AA	Bolt 1 "	1184275	153	102	153	153
BB	Bolt 1/4-20x 2 1/4 "	1184276	15	10	15	15
CC	Nut clip 1/4-20	N14X20	27	18	27	27
*	Hardware Pack (Qty. - 29)	1184298				1
*	Hardware Pack (Qty. - 59)	1184299	2	3	2	2
*	Hardware Pack (Qty. - 77)	1184300	1		1	1
**	Hardware bag/wall	1050000054	1	1	1	1
***	Hardware Pack	1184294	3	2	3	3
	Truss phill 18-8 bolts 18-8 1/4-03x/4	99-0023	31	31	31	31
	Flange nuts S/S 1/4-20 Serrated	2FGS422	31	31	31	31
	Instruction DVD	SACWBI36877	1	1	1	1

* In the hardware Pack (Qty...) you will find parts: #1184105

** In the hardware bag/wall you will find parts: #99-0023 - #2FGS422

*** In the hardware pack you will find parts: #1184052 - #1183273 - #1184275 - #1184276 - #1184278 - #1184294

Section 1

GENERAL INSTRUCTIONS - OVAL POOLS GROUND PREPARATION

READ ALL INSTRUCTIONS CAREFULLY

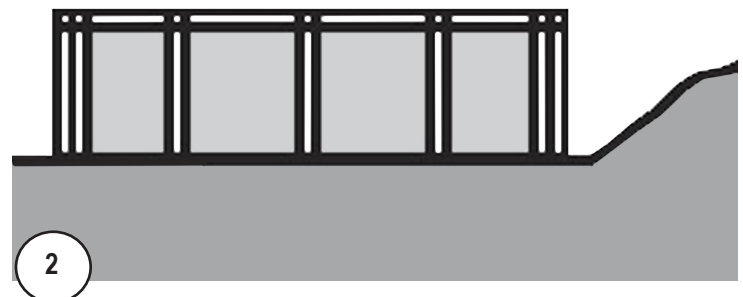
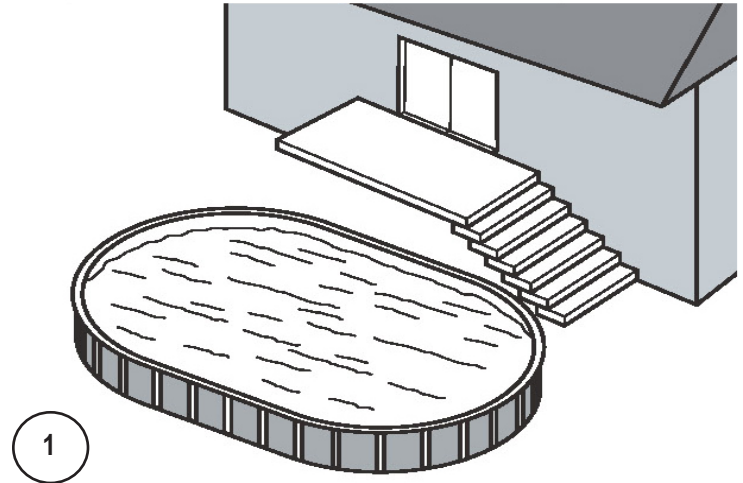
The approximate time it takes for installation, excluding earthworks and filling is about 1 day.
You will need at least 3 people to help with installation.

A. DETERMINE THE LOCATION OF YOUR POOL

1. The Terrain

Pay special attention to choosing the right location for your pool:

- Choose a large area, as flat and level as possible and well drained. **(Image 1)**
- Choose a spot on dry, firm earth (stabilizer or other)—do not install the pool on asphalt, tar or oil based surfaces, gravel, peat moss, wood or chemically treated soil.
- Check with your pool dealer to see if Nut Grass grows in your area. This type of grass may grow up through your pool liner. Your dealer will be able to advise how best to treat the site.
- Sloped areas will need to be made level by digging away high spots, not by filling low spots—be prepared to hire earth-moving equipment if necessary.
- Ensure the earth is well compacted and a wall is placed to prevent the earth from seeping out. **(Image 2)**
- If you need to install partly in the ground, you must contact your dealer to see if this is an option for you and that you meet law requirements in your jurisdiction. **(Image 3)**



Important Note:

Ground preparation is one of the most important steps in the installation process. A proper foundation will ensure the rest of the pool assembly goes smoothly and that no problems will occur when the pool is filled with water.

Section 1

GENERAL INSTRUCTIONS - OVAL POOLS GROUND PREPARATION

A. CONT. DETERMINE THE LOCATION OF YOUR POOL

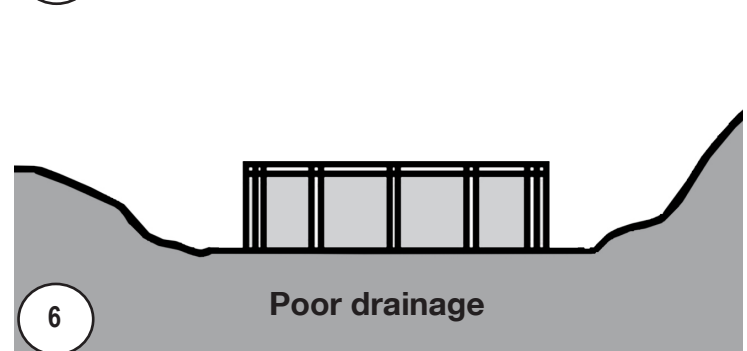
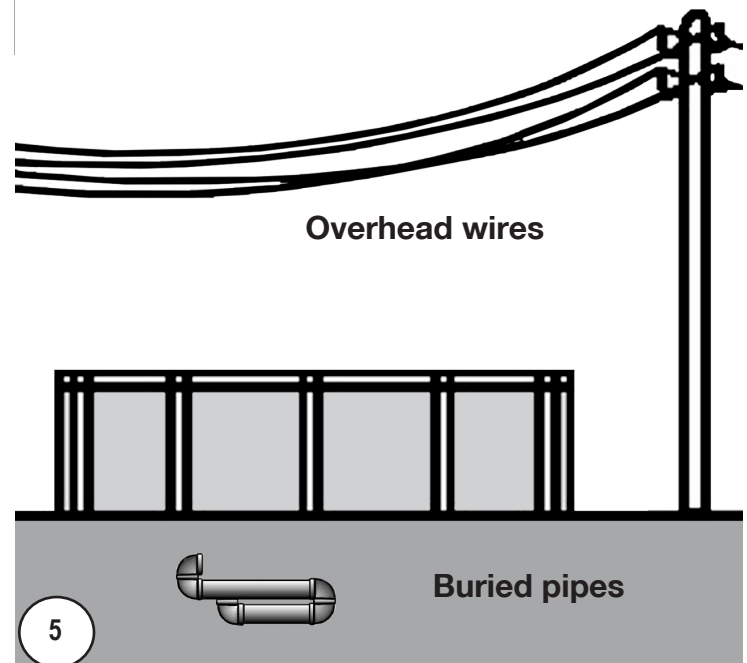
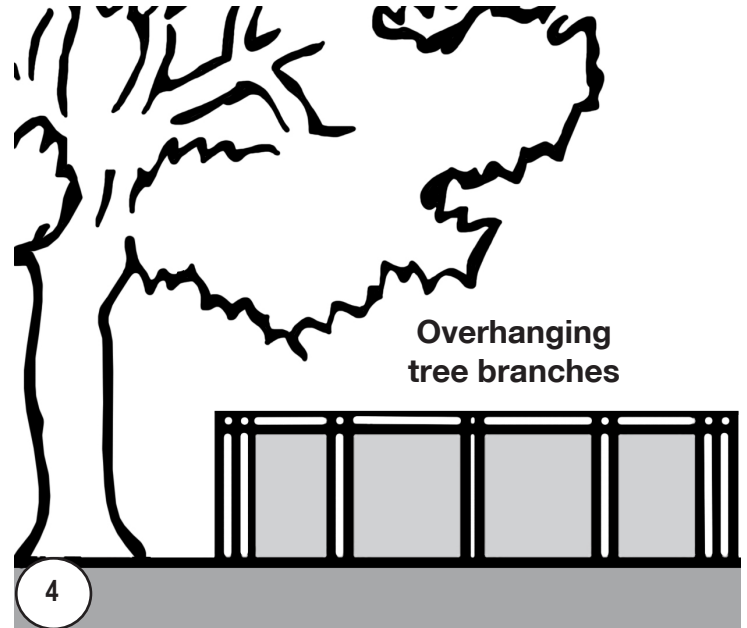
2. Things to Avoid

Do not locate your pool near or on any of the following (**Images 4 to 6**):

- Overhanging tree branches.
- Overhead wires and clotheslines.
- Buried pipes and wires. Contact your gas, electric and telephone utilities to find buried pipes and wires before you dig.
- Areas with poor drainage.
- Grass, stones and roots. Grass will rot underneath the pool liner, and stones and roots will damage the pool liner.
- Areas recently treated with oil-based weed killers, chemicals or fertilizers.

3. Plan Ahead

- Will you be adding an adjacent deck later? Be sure to leave room.
- Will you be using pool accessories or other appliances that need electricity or gas? Locate your pool near these services or plan to have them installed later by a licensed contractor.



Important Note:

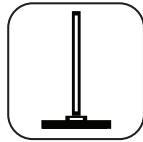
When locating the centre of the pool, be sure to take into consideration any structures (deck, patio, house) or relevant items (change rooms, gazebo, etc.) that the pool may need to line up with and ensure that the pool is in the most visual pleasing location for your property.

Section 1

GENERAL INSTRUCTIONS - OVAL POOLS GROUND PREPARATION

A. CONT. DETERMINE THE LOCATION OF YOUR POOL

4. Tools Needed



Compactor



Hammer



Water hose



Level



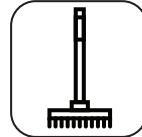
File



Vacuum cleaner



Pliers



Rake



Lawn roller



Metal snips



Screwdriver



Wheelbarrow



Shovel



Spraypaint



Mallet



Measuring tape



Duct tape



Trowel



Wrench



 Gloves

List of required materials

- Straight wood plank
- Material that provides a permanent base (ex. Crushed stone)
- Fine sand (void of debris)
- Cement blocks (5cm x 20cm x 40cm / 2"x 8"x16") (optional)
- 2x Plywood (60cm x 120cm / 2ft x 4ft)
- Wood board (30cm x 20cm / 1ft x 1ft)
- Vinyl covered hooks (to hold wall steady)
- String and stakes & wooden pegs
- Prefabricated cove sections (optional)
- Pool carpeting (optional)
- Rope
- Polyethylene Plastic Sheeting

- Optical Level
Can be useful for precise measurements



Important Note:

Wall edges, skimmer and water return holes may be sharp, it is important to wear gloves when installing.

Section 1

GENERAL INSTRUCTIONS - OVAL POOLS GROUND PREPARATION

B. PREPARE THE FOUNDATION OF YOUR POOL

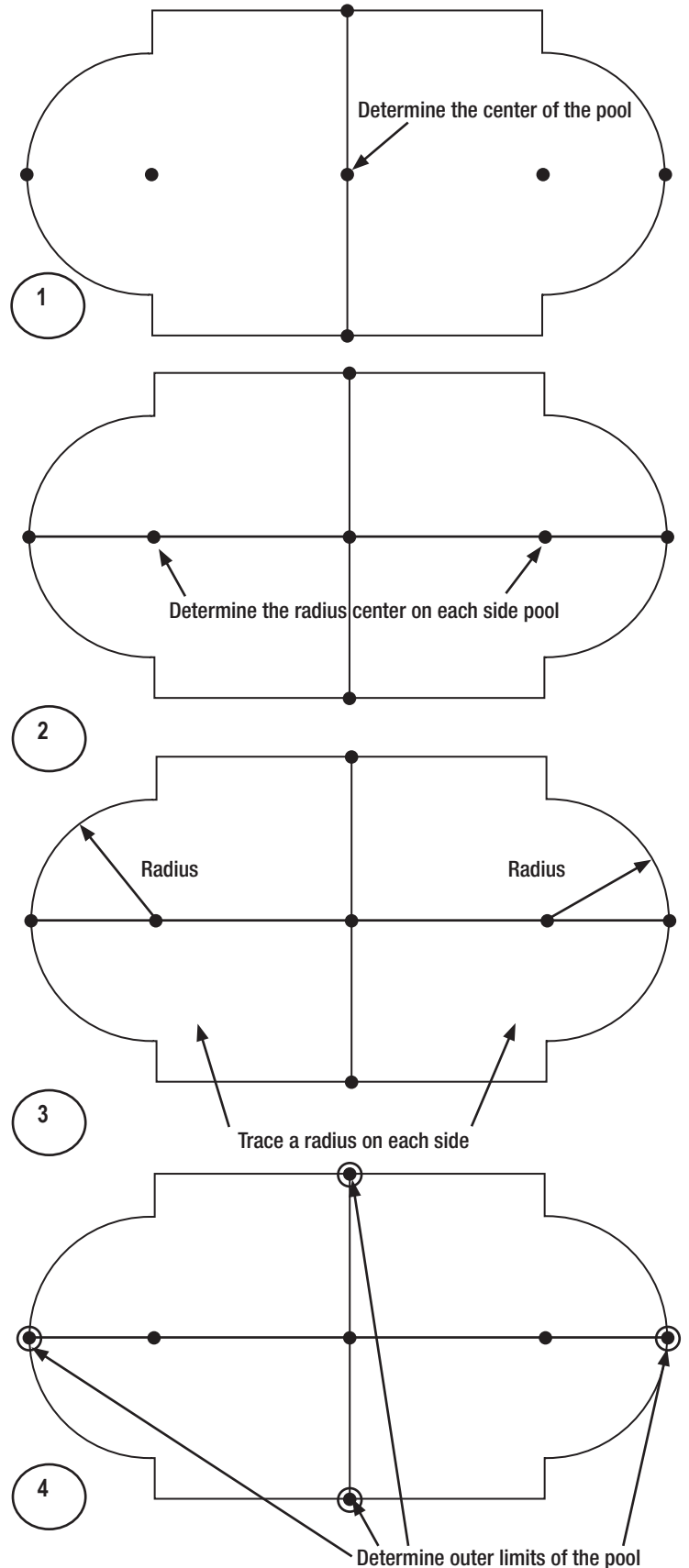
1. Mark out the area

- a. The next following steps will show you how to mark out the area you need for the oval pool. This marked area will be larger than the pool size itself, but this space is needed. Find a site where the ground is stable, level and well drained. Once you have selected your site, determine where the middle of your pool will be.

See Diagrams:

Please see in the next page for an **EXAMPLE** on how to correctly mark your pool area.
Please verify your pool's **FOOTPRINT** for correct measurements on the last pages of this Section 1.

- b. Drive a peg into the ground at the centre point.
(Image 1)
- c. Now you must make the round ends that will be the oval part. In order to do so, you will have to determine the center of the radius on each side and drive a peg into the ground.
(Image 2)
- d. Using a length of string tied between the peg and a can of spray paint mark the circles on the ground.
(Image 3)
- e. Once the center has been established, and the measurement of the pool itself has been determined, you must now determine the outer limits of the perimeter of your pool. Add 12" (30cm) outside this measurement to determine pool perimeter.
(Image 4)



Section 1

GENERAL INSTRUCTIONS - OVAL POOLS GROUND PREPARATION

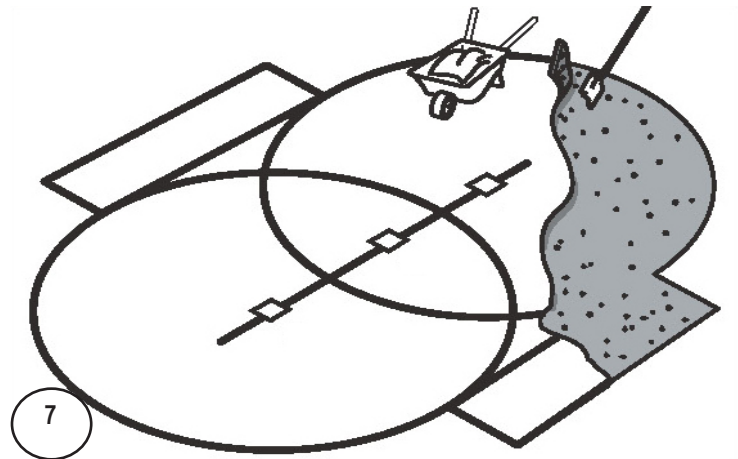
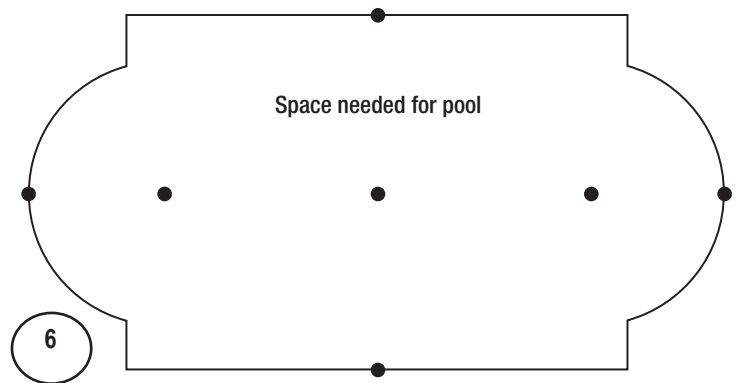
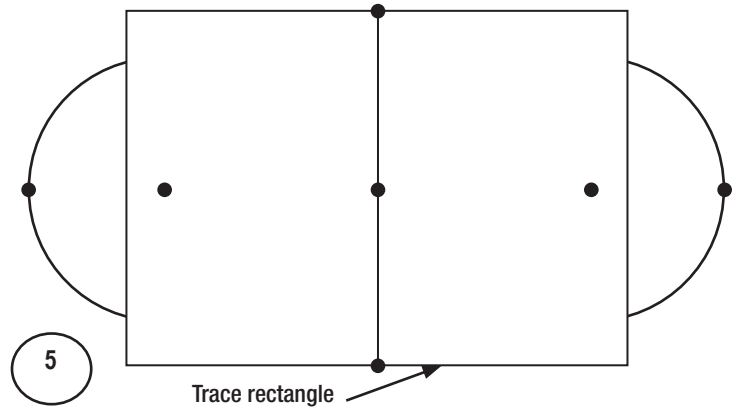
B. CONT. PREPARE THE FOUNDATION OF YOUR POOL

- f. Mark areas along both straight sides of your oval. Use pegs and string as a guide for the can of spray paint to mark straight lines. **(Image 5)**
- g. You now have the space marked out that is needed for your oval pool. **(Image 6)**

2. Remove the sod

- a. Remove the sod from the area you have just outlined. **(Image 7)**
- b. Remove all debris (rocks, roots, etc) using a rake. Then compact the ground to achieve a firm base.

You can use a sod removal machine.



Important Note:

Your pool must be perfectly level. Take the time you need to be sure your foundation is perfectly level.

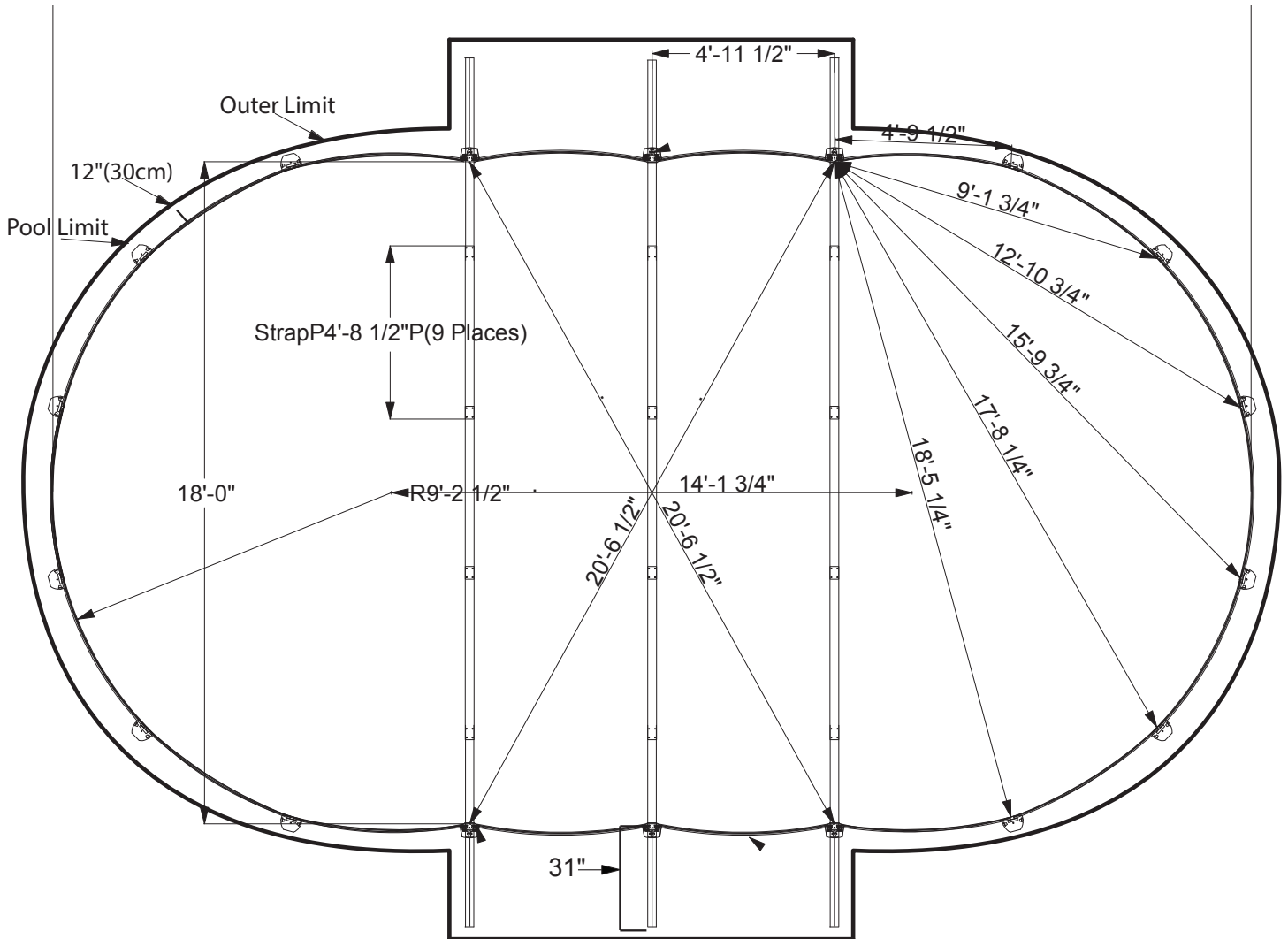
Section 1

GENERAL INSTRUCTIONS - OVAL POOLS GROUND PREPARATION

B. CONT. PREPARE THE FOUNDATION OF YOUR POOL

Example on how to mark out pool area for an 18 x 33

Please be sure to use your pool's footprint for your pool size on the last pages of this Section 1.



EXAMPLE

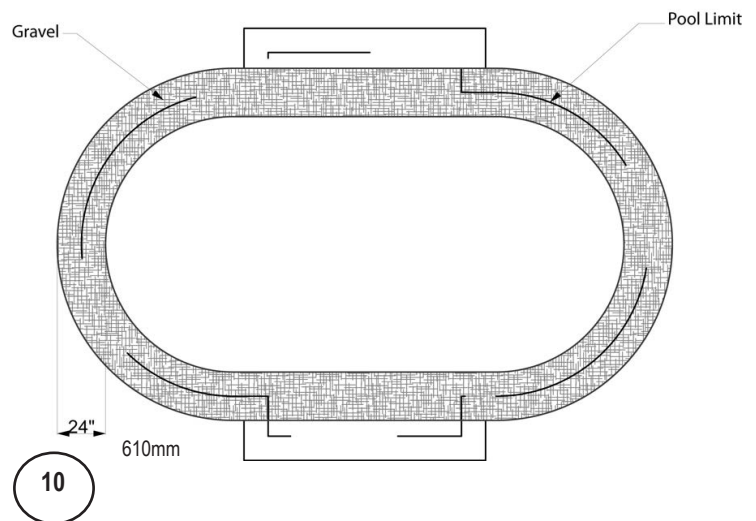
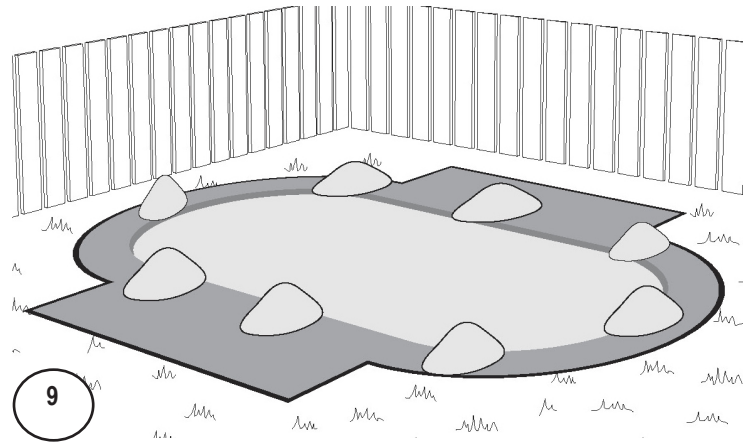
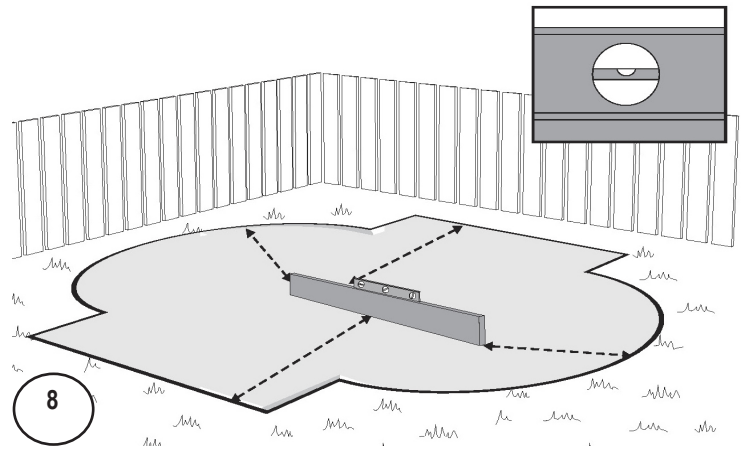
Section 1

GENERAL INSTRUCTIONS - OVAL POOLS GROUND PREPARATION

B. CONT. PREPARE THE FOUNDATION OF YOUR POOL

3. Make the area flat and level

- Remove all the high spots with a shovel, hoe or rake. To make sure your pool is stable, compact the ground well before adding the sand. Be prepared to hire earth moving equipment if you need to level a large area. Remember, your pool must be level across the diameter of the pool. **(Image 7)**
- Small dips and hollows may be filled in, but the soil must be hard-packed with a tamping tool or a soil compactor machine.
- Take material such as rock dust or fine mortar that can conform a solid, permanent base and deposit this material around the rim of the basin. **(Image 9)**
- The material used should be spread around the perimeter of the pool to a width of 24" (60cm) and a thickness of 2" (5cm). **(Image 9a)**
- Recheck the outer perimeter of the oval shape, where the pool wall will be placed. Compact the ground and make sure there are no high or low spots. The bottom edge of the pool wall must rest flat on the ground and have no gaps under it.



HELPFUL HINT:
Use the optical level to ensure that the ground is perfectly flat and level.

IMPORTANT NOTE:
Your pool must be perfectly level. Take the time you need to be sure your foundation is perfectly level.

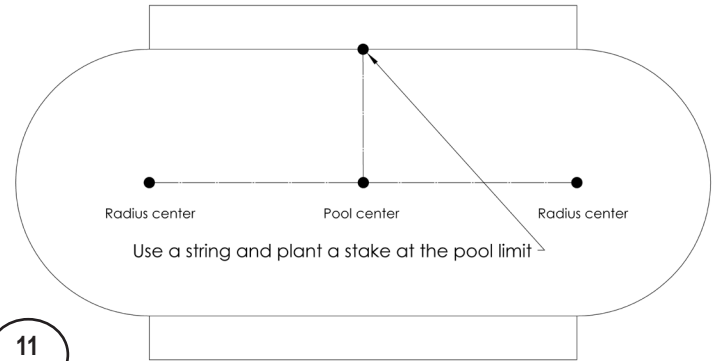
Section 1

GENERAL INSTRUCTIONS - OVAL POOLS GROUND PREPARATION

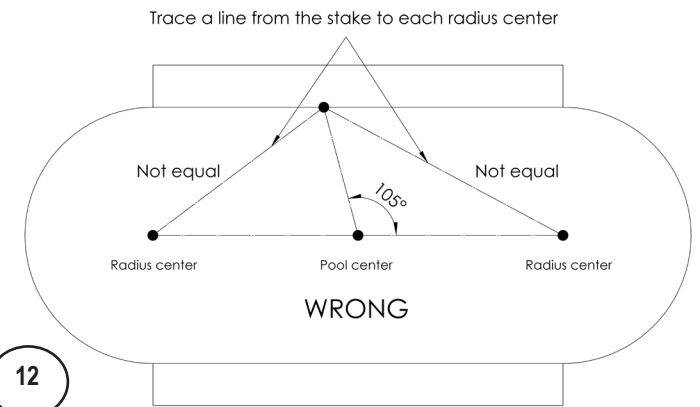
C. GROUND PREPARATION FOR THE BUTTRESS

1. Measuring for the buttress trenches

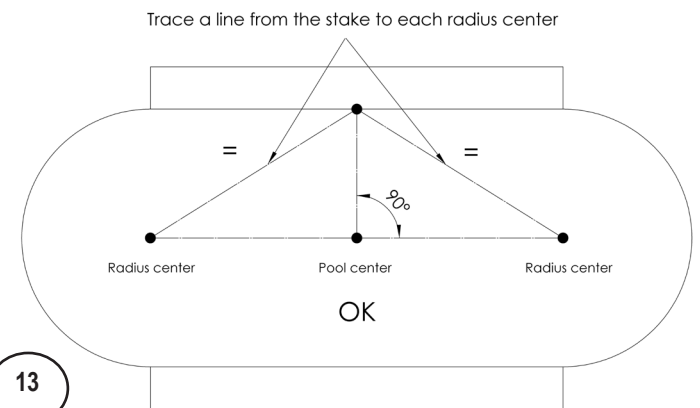
- In order to measure where trenches need to be dug for the placement of the buttress, you must first draw a perpendicular line in order to create a perfect 90 degree angle. From the pool center, trace a straight line to the oval perimeter (**Image 11**)
- In order to ensure that your line is perpendicular, measure from each radius center to the top of your line. The measurement should be exactly the same on each side. If not, adjust until both are the same and you will now have a perfect perpendicular line, therefore creating a perfect 90 degree angle. (**Images 12 & 13**)
- Repeat the first two steps to create a perpendicular line in order to create a perfect 90 degree angle for the other side of the oval pool.



11



12



13



IMPORTANT NOTE:

It is very important that when you follow the instructions on the next page, that you apply the next steps to only one side of the pool at a time. It is imperative that you follow the next steps in order.

Section 1

GENERAL INSTRUCTIONS - OVAL POOLS GROUND PREPARATION

C. CONT. GROUND PREPARATION FOR THE BUTTRESS

5. Digging the buttress trenches

Odd number of trenches;

- a. If your oval pool contains an even number of buttresses, please proceed with next step b. If your oval pool contains an odd number, position the buttress temporarily on the straight center line from the middle.
(Image 14) Continue to step c. Note: Odd number means the total of sections on one side, for example a 12 x 24 pool has Odd number.

Even number of buttresses:

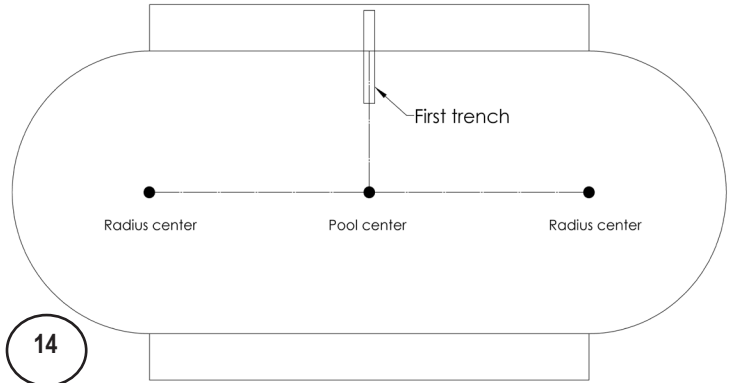
- b. If your oval pool contains an even number of buttresses, measure from the center line out the required measurement as per your footprint, see the last pages in this section 1. Position the buttress temporarily off the straight center line from the middle. **(Image 15) Continue to step c. Note: Even number means the total of sections on one side, for example a 15 x 30 pool has Even number.**
- c. Carefully dig out the trench. **DO NOT** dig the trenches too large or too deep; the ground around the edges of each trench must remain **firm** and undisturbed. **(Image 16)**



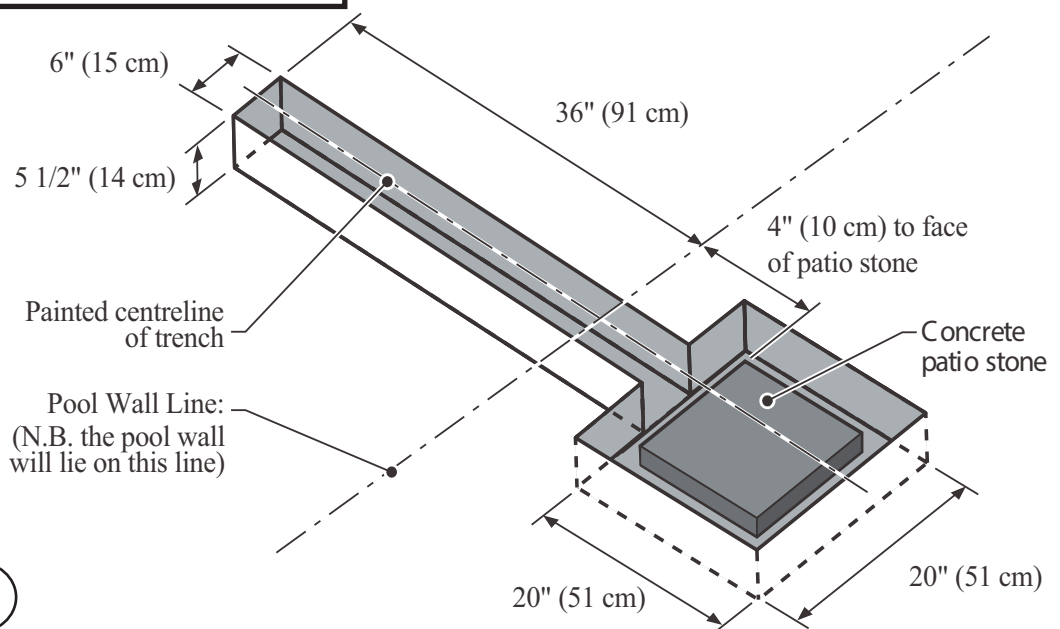
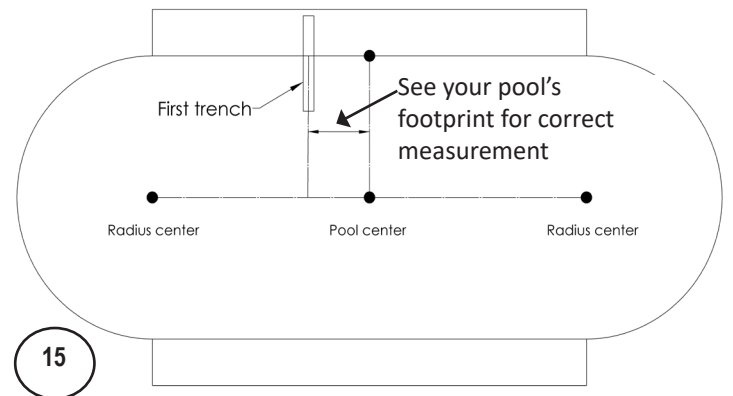
IMPORTANT NOTE:

This first patio stone buttress that you install will be the reference to install the remaining patio stone-butresses, therefore ensure that measurements and placements are exactly where they need to be.
VERIFY YOUR POOL'S FOOTPRINT!

Odd number of sections



Even number of sections

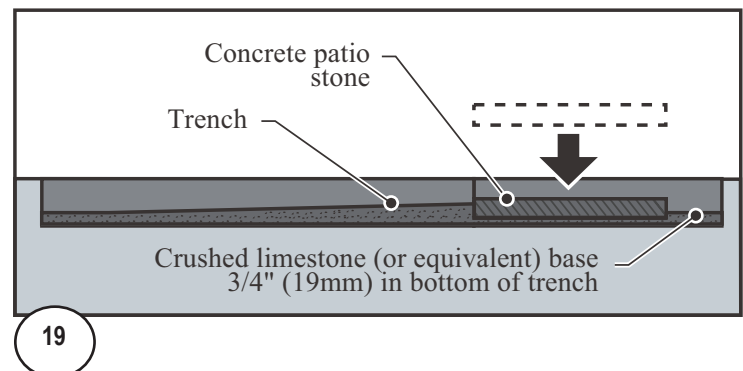
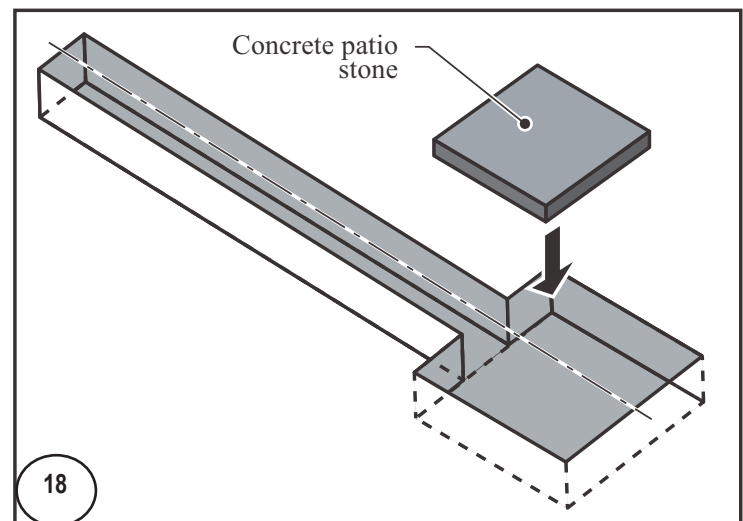
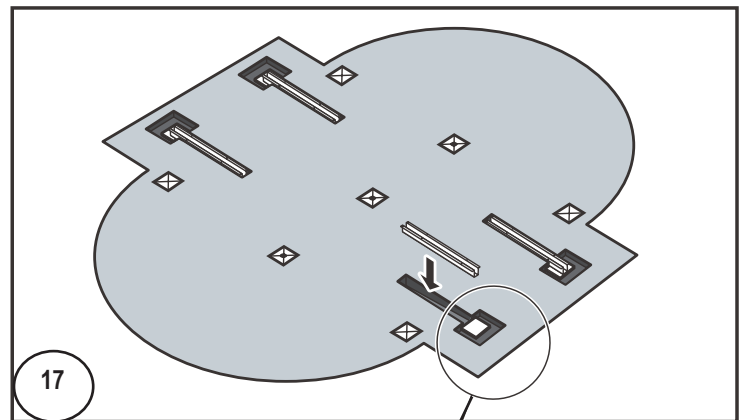


Section 1

GENERAL INSTRUCTIONS - OVAL POOLS GROUND PREPARATION

C. CONT. GROUND PREPARATION FOR THE BUTTRESS

- d. The bottom plates for the straight section must be at the same level with the crushed stone. Spread a layer of crushed limestone (or equivalent) $\frac{3}{4}$ " (19 mm) thick into the bottom of each trench. Pack firmly. If you do not put crushed stone, understand that the bottom plates all around the pool must be at the same level. The warranty will void if you do not comply with this requirement
- e. Place a concrete patio stone 12" x 12" square x 2" thick (30 x 30 x 5 cm) into the wide part of each trench, on top of the limestone layer. **Make sure** it is **LEVEL** and positioned correctly. **(Images 17 to 19)**

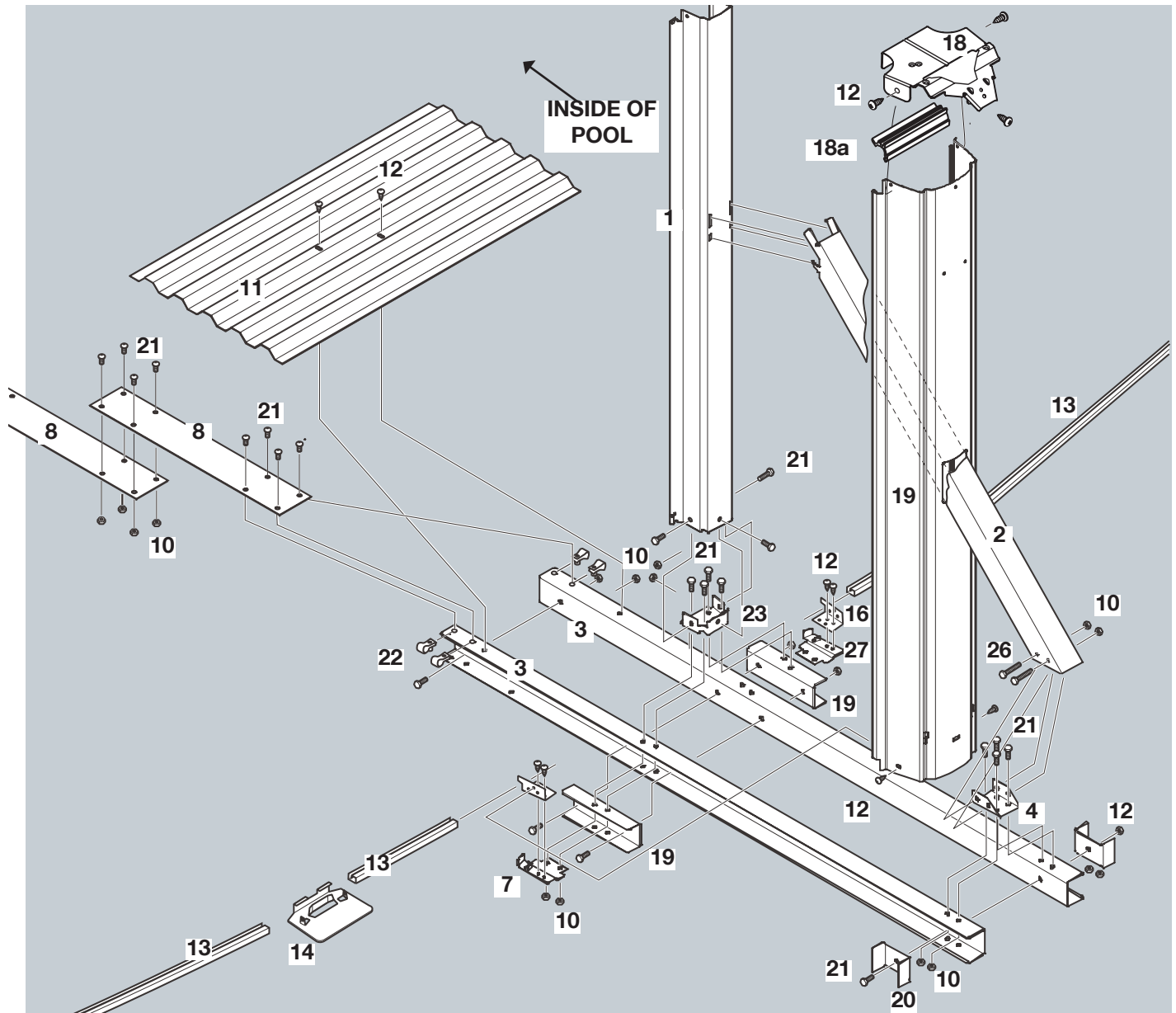


⚠ IMPORTANT NOTE:
Crushed limestone or equivalent must be used instead of brick sand or vermiculite to backfill the base U-channels. The level of compaction achieved by using crushed limestone or equivalent is superior to that of brick sand or vermiculite.

Section 1

GENERAL INSTRUCTIONS - OVAL POOLS GROUND PREPARATION

OVERVIEW OF BUTTRESS ASSEMBLY



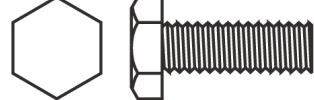

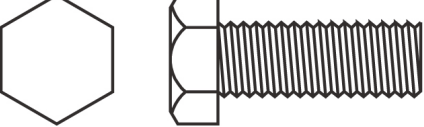



KEY	Part Name	KEY	Part Name
1	Upright	19	Reinforcing Bracket
2	Diagonal	20	Support Bracket
3	Base Channel	23	Bottom plate
4	Diagonal Bracket	27	Right vertical support bracket
7	Left vertical support bracket	-	Hardware bag, 1 per set of buttresses; includes;
8	Strap	10	1/4 "-20NCx3/4" serrated flange hex nut
11	Hold down plate	12	No. 12 x 1/2" self-tapping screw, pan head Phillips
13	Curved Bottom Rail	21	1/4 "-20NCx3/4" hex bolt
14	Base Plate	24	1/4 "-20NCx2-1/4" nut clip
15	Left Vertical clip	26	1/4 "-20NCx2-1/4" hex head bolt
16	Right Vertical clip		
17	Upright		
18	Top plate		
18a	Adapter top plate		

**Section
1**

**GENERAL INSTRUCTIONS - OVAL POOLS
GROUND PREPARATION**

HARDWARE FOR CHANNEL LOK I POOLS

DESCRIPTION	ACTUAL SIZE	TOOL REQUIRED FOR INSTALLATION
SELF TAPPING SCREW #12 x 5/8 INCH LONG		PHILLIPS NUMBER 3 SCREWDRIVER OR RED HANDLE #2 ROBERTSON SCREWDRIVER
SERRATED FLANGE HEXAGON NUT 1/4-20		7/16 INCH WRENCH OR SOCKET
HEXAGON HEAD BOLT 1/4-20 x 3/4 INCH LONG		7/16 INCH WRENCH OR SOCKET
SERRATED FLANGE HEXAGON NUT 3/8-16		9/16 INCH WRENCH OR SOCKET
HEXAGON HEAD BOLT 3/8-16 x 1 INCH LONG		9/16 INCH WRENCH OR SOCKET
NUT CLIP 1/4-20		NO TOOL REQUIRED

Section 1

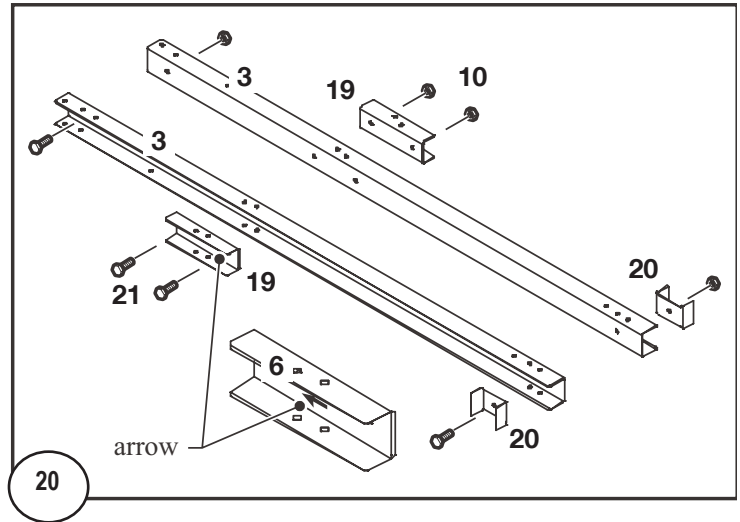
GENERAL INSTRUCTIONS - OVAL POOLS GROUND PREPARATION

D. ASSEMBLING THE BUTTRESS

1. Assemble the Buttress Base Channels

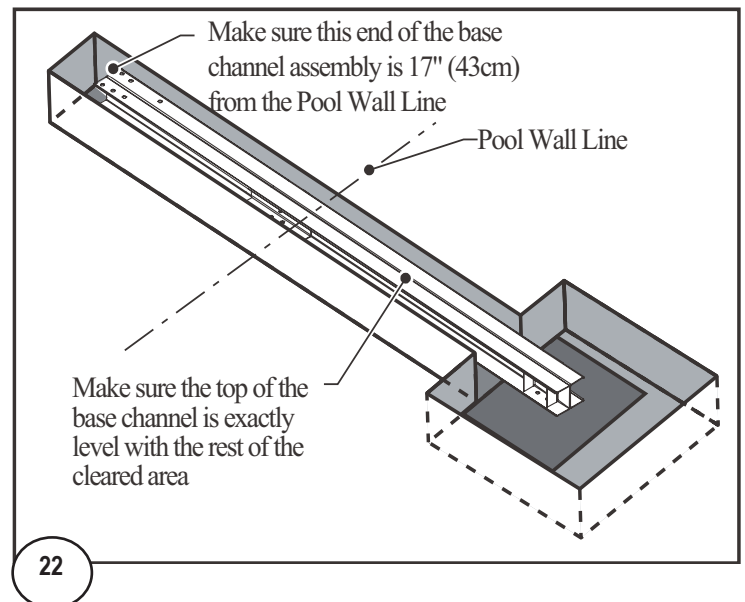
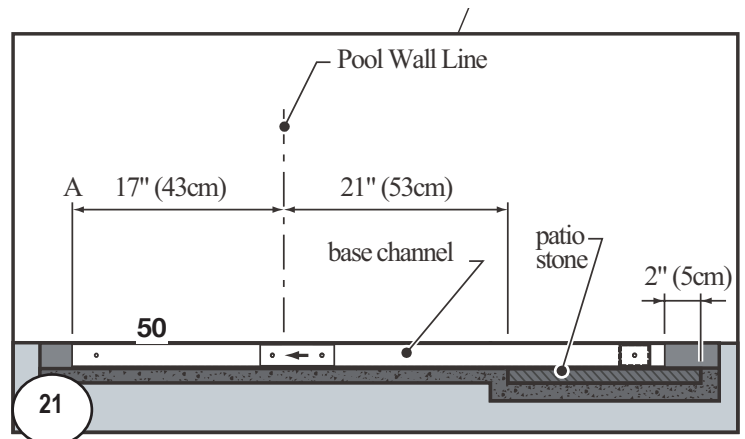
- Assemble two base channels (key 3), two support brackets (key 20) and two reinforcing brackets (key 19) using four bolts (key 21) and nuts (key 10). The reinforcing brackets (key 19) are each marked with an arrow which should point away from the support brackets when the parts are assembled (these arrows will point toward the inside of the pool when the buttress assemblies are set into position around your pool). **(Image 20)**

Note: the rest of the buttresses will be assembled later in Step 3.



2. Install and level the Base Channels

- Place one assembled base channel (key 50) into one of the trenches and move it so that the end of the base channel is 17" (43 cm) away from the Pool Wall Line. Double check the position of the base channel by making sure the other end is 2" (5 cm) from the back edge of the concrete patio stone. **(Image 21)**
- Use the carpenter's level to make sure the top of the base channel assembly is exactly level with the rest of the cleared area. If it is not, the base channel must be removed and the crushed limestone (or equivalent) and patio stone adjusted. Also make sure that the end of the base channel assembly is 17" (43 cm) away from the the Pool Wall Line. **(Image 22)**
- Continue installing and leveling the base channels. **Remember to please follow your pool's footprint at the end of this Section 1 for measurements on the placement of the trenches.**



Important Note:
This first buttress that you install will be the reference to install the remaining buttresses, therefore ensure that measurements and placements are exactly where they need to be. **VERIFY YOUR POOL'S FOOTPRINT!**

Caution:
Make sure there is adequate drainage in the bottom of each trench and along the sides of the pool area. There must be adequate drainage for a safe and secure pool foundation.

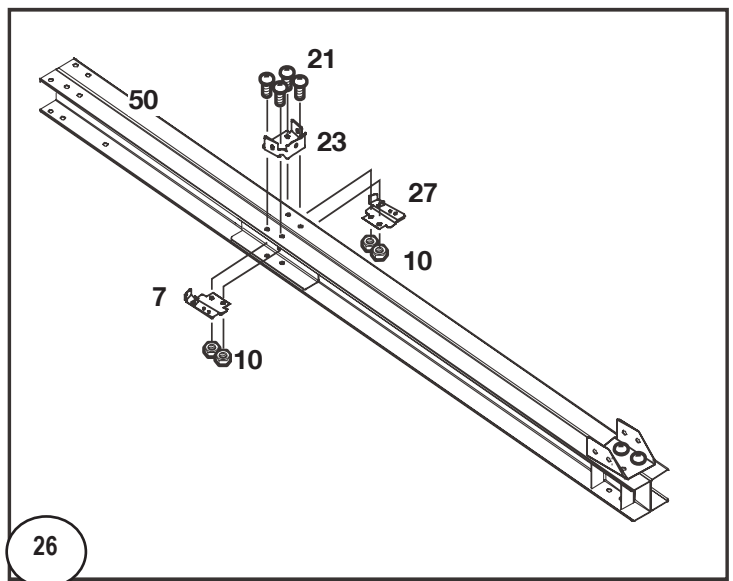
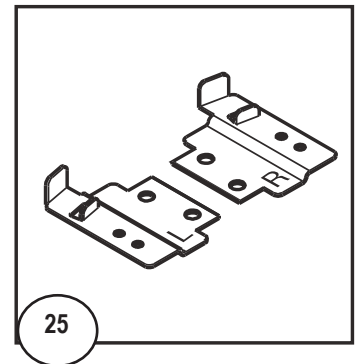
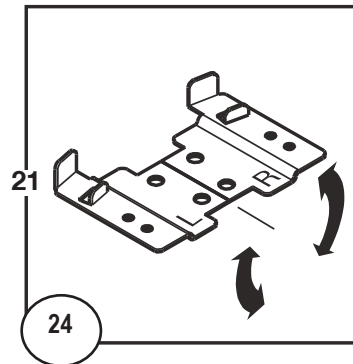
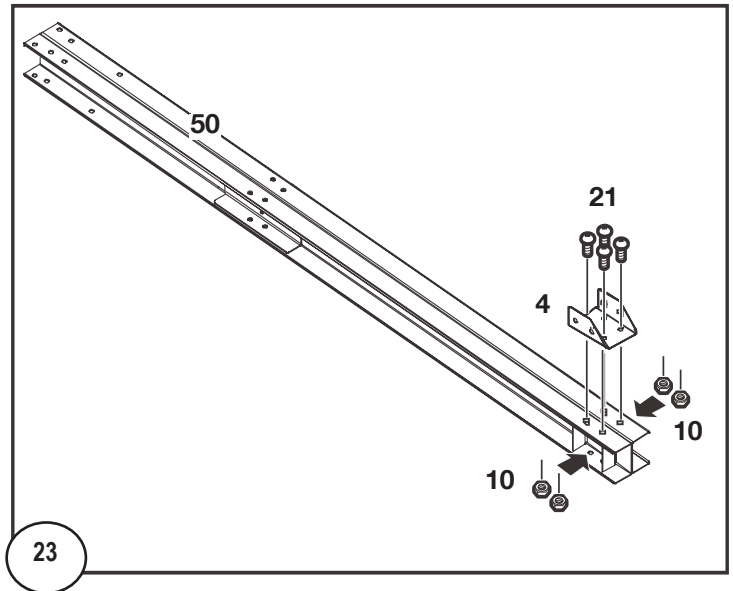
Section 1

GENERAL INSTRUCTIONS - OVAL POOLS GROUND PREPARATION

D. CONT. ASSEMBLING THE BUTTRESS

3. Continue Assembling the Buttresses

- a. Temporarily remove one base channel from its trench and fasten one diagonal bracket (key 4) to the base channel assembly (key 50) using four bolts (key 21) and nuts (key 10). Make sure the angled part of the bracket is facing in the correct direction. The surface that the diagonal bracket is fastened to will be the top of the base channel assembly. **(Image 23)**
- b. The vertical support brackets are supplied joined together in left-hand and right-hand pairs. Bend the clips along the centre seam to snap them apart. **(Images 24 & 25)**
- c. Fasten one base plate (key 23) and two vertical support brackets (key 7 and 27) to the top of the base channel assembly (key 50) using four bolts and nuts (key 21 & 10). **(Image 26)**



Section 1

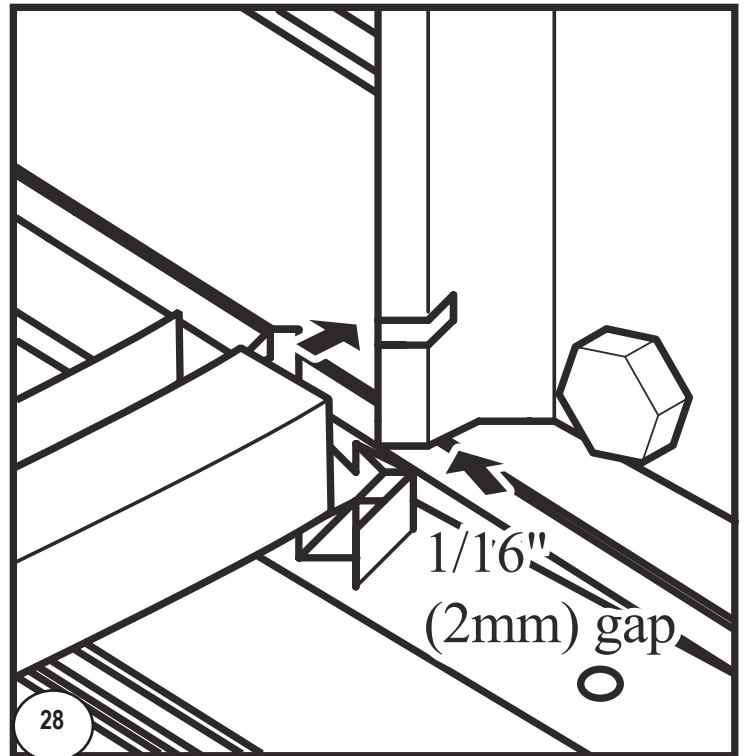
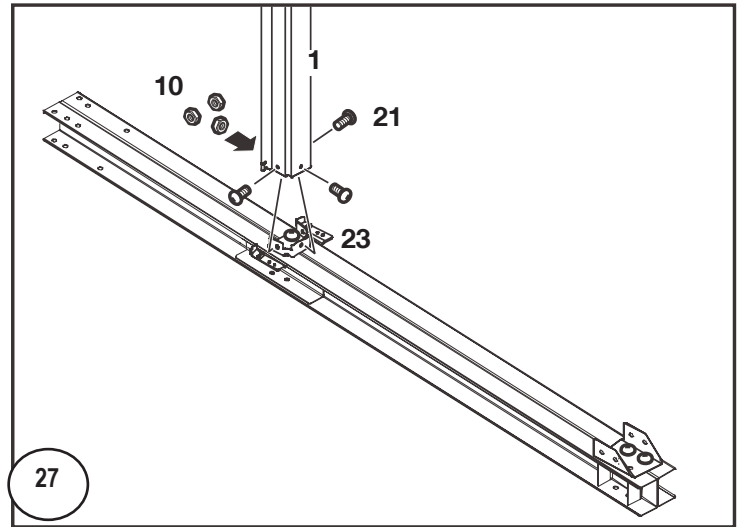
GENERAL INSTRUCTIONS - OVAL POOLS GROUND PREPARATION

D. CONT. ASSEMBLING THE BUTTRESS

- d. Fasten on upright (key 1) to the base plate (key 23) using three bolts (key 21) and nuts (key 10). Make sure the bottom end of the upright is fastened to the base plate (the bottom end of the upright has three holes which are used to fasten to the base plate. **(Image 27)**

Caution:
Failure to properly install and tighten all of the bolts and nuts may void the warranty on your pool.

- e. When you come to Section 2, you will install the bottom rails, linking them to the buttresses. Make sure now that there is approximately 1/16" (2 mm) gap under the tab at the bottom of each upright so the bottom rails slide on easily. **(Image 28)**
- f. Set the assembled buttress back into its trench. Make sure the buttress assembly is returned to the correct position in the trench with the end of the base channel aligned exactly 2" (50 mm) from the back edge of the concrete patio stone (see step 3(a)). The buttress may need to be propped upright to prevent it from falling over while the rest of the pool is assembled.
- g. Continue assembling the remaining buttresses.



Section 1

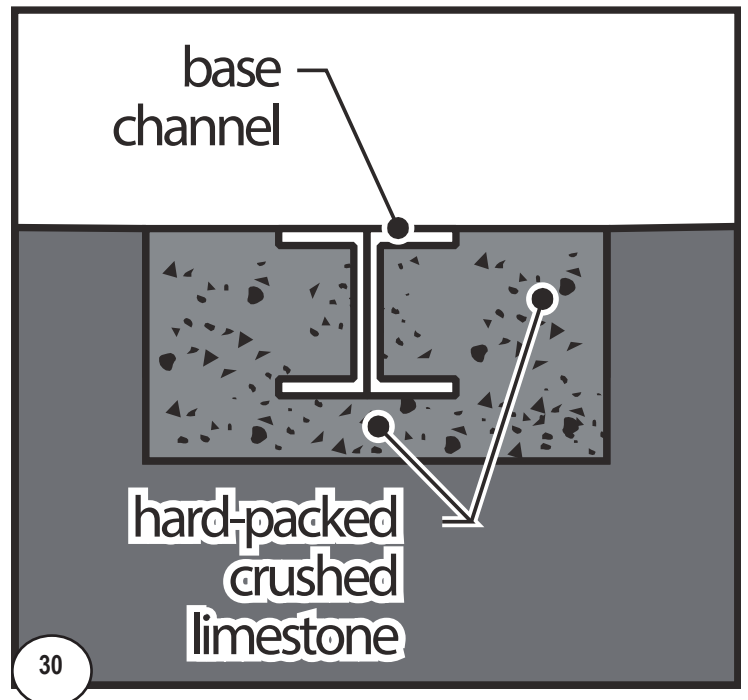
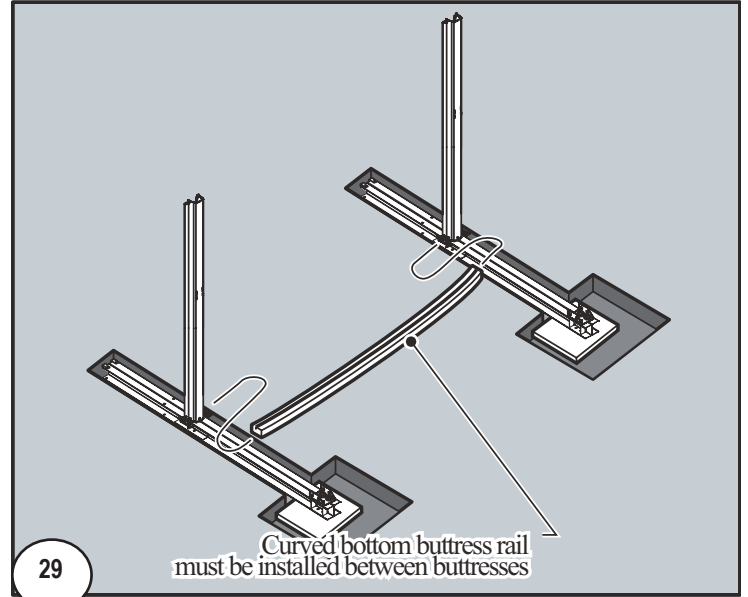
GENERAL INSTRUCTIONS - OVAL POOLS GROUND PREPARATION

D. CONT. ASSEMBLING THE BUTTRESS

4. Fill the Base Channels

- Make sure the base channels are exactly lined up with each other. Stand at each corner of the pool and check the alignment of the base channels by using strings attached to each buttress. **(Image 29)**
- Jump to Section 2 and complete steps 1(a) and (b). This will allow you to install the bottom buttress rails, ensuring the correct distance between the buttresses before the trenches are filled in. Important: complete only steps 4(a) and (b) for now, and then continue with step 4(c) below; you will complete the rest of Section 2 later.
- Fill the base channels and the trenches they sit in with crushed limestone (or equivalent). Fill them up to the top edges of the base channels. If the limestone is dry spray it with some water to help with the compaction. Stand on the base channel and tamp down the limestone until a solid base is achieved (by standing on the base channel your weight helps prevent the base channel from moving). Add additional limestone as required. Do not tamp too hard or the base channel will move. **(Image 29)**
- Recheck the distances between the base channels and make any adjustments you need to make sure the spacing is exactly right (refer to your pool's footprint for correct measurements).

⚠ Important Note:
Crushed limestone or equivalent must be used instead of brick sand or vermiculite to backfill the base channels. The level of compaction achieved by using crushed limestone or equivalent is superior to that of brick sand or vermiculite.



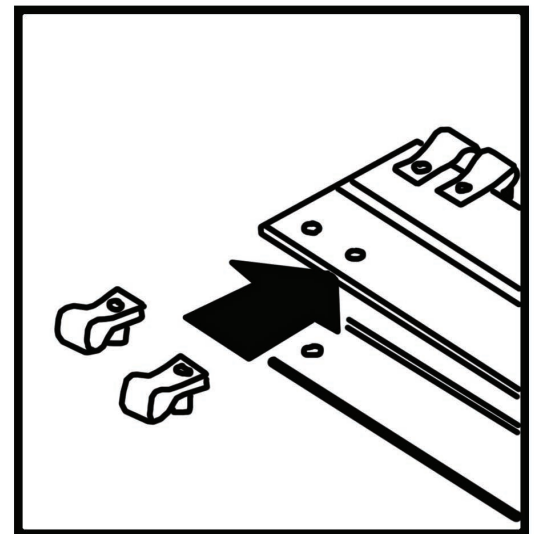
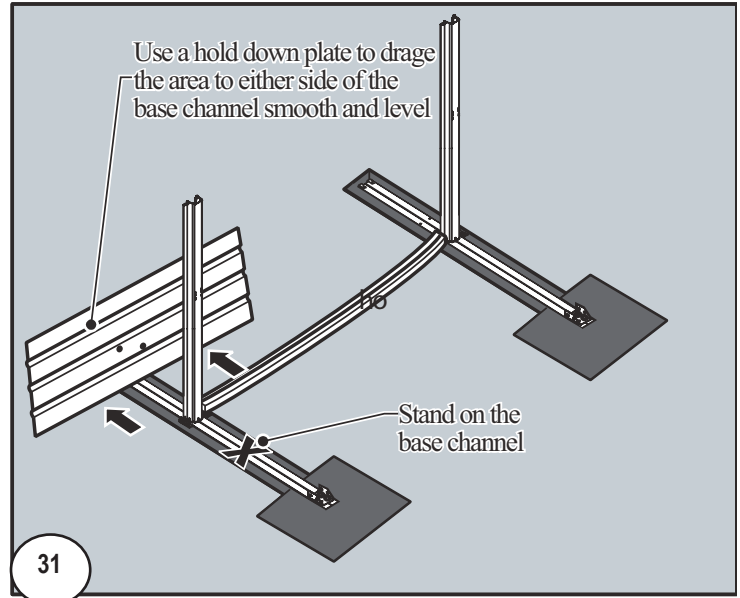
Section 1

GENERAL INSTRUCTIONS - OVAL POOLS GROUND PREPARATION

D. CONT. ASSEMBLING THE BUTTRESS

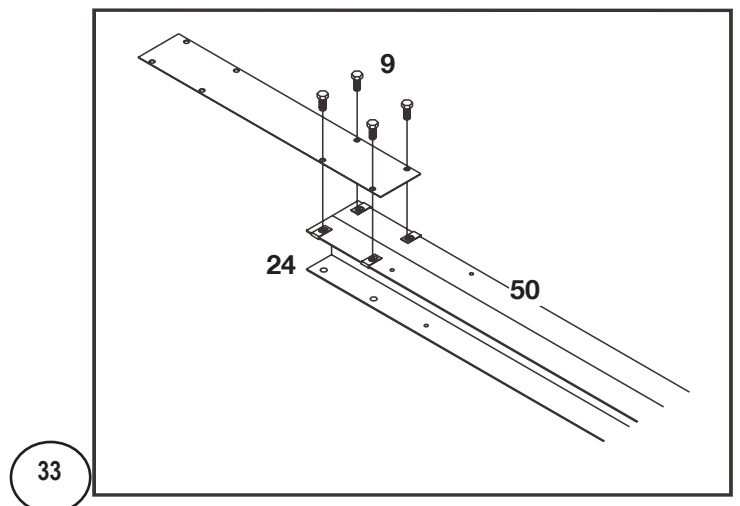
5. Install the Hold Down Plates and Straps

- Gently** flatten any kinks or bends out of the straps.
- Using a straight edge (you can use one of the hold down plates), drag along the top edge of the base channel to ensure the ground is exactly even and level with the base channel (the area 20" (51 cm) beyond each side of the base channel must be level too). If it is not level, spread some crushed limestone (or equivalent) on the ground. Stand on the base channel and tamp it down hard with a tamping tool. Verify the ground is level to the base channel by running the straight edge along the top edge of the base channel again. Repeat this step until the ground is level. **(Image 31)**
- Slide four nut-clips onto one end of the base channel assembly (the end that the arrow points to) so they line up over the holes in the base channel. The threaded parts of the nut-clips must point down. **(Image 32)**
- Line up the holes in the strap (be sure to use the holes shown in **Image 33** with the nut clips (key 24) at the end of the base channel (key 50) and fasten together with four hex head bolts (key 9) Tighten the bolts snugly but do not overtighten.
- Repeat steps 5 (b) to (d) for the corresponding strap on the opposite side of the pool.



⚠ Important Note:
Use one end of a 2-by-4 as a tamping tool. Spray the crushed limestone with water before packing it down hard.

⚠ Important Note:
Brick sand or vermiculite cannot be used of any part of the buttress installation process. These materials have poor compaction properties that can cause problems with the buttresses after the pool has been filled with water



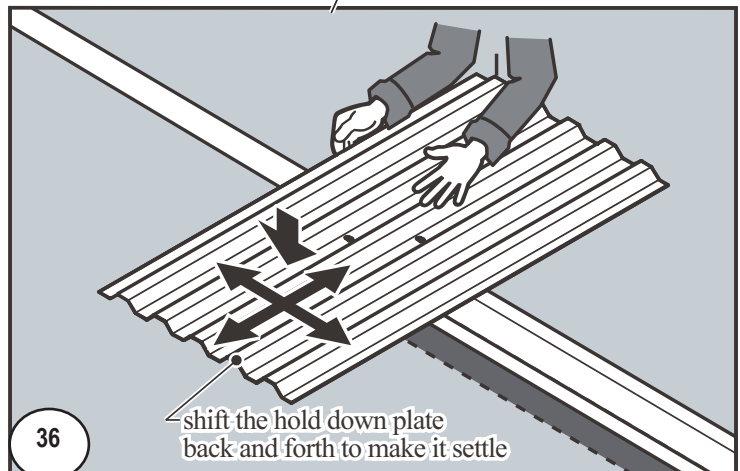
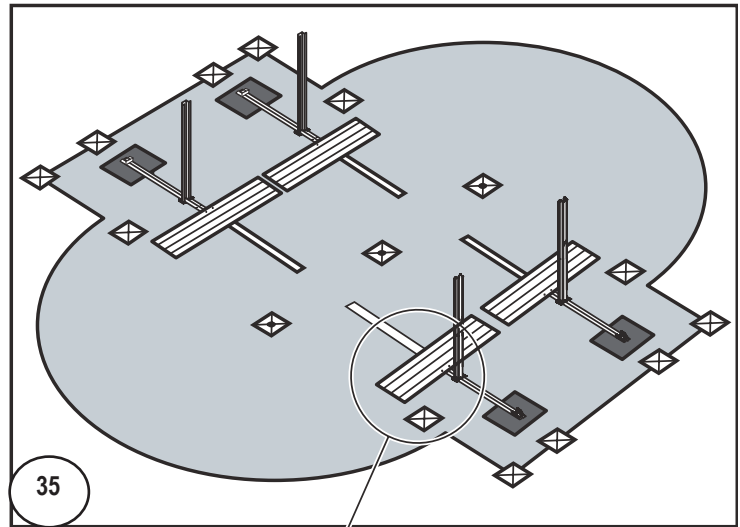
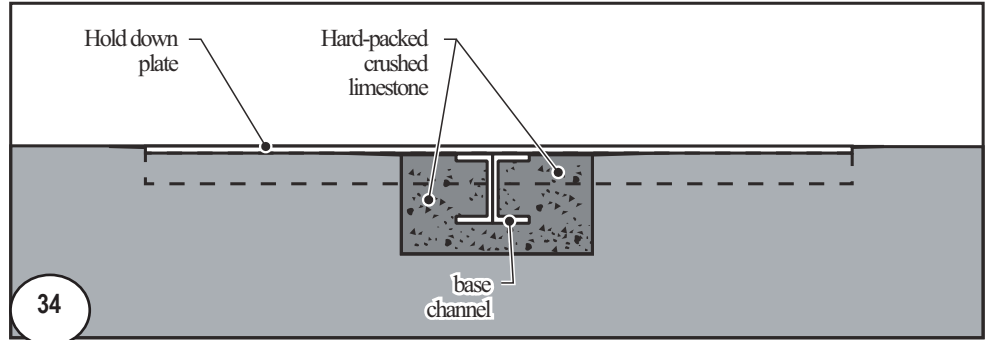
Section 1

GENERAL INSTRUCTIONS - OVAL POOLS GROUND PREPARATION

D. CONT. ASSEMBLING THE BUTTRESS

- f. Spread 3/4" (19 mm) of crushed limestone (or equivalent) over the area for the hold down plate. Do not spread any material over the top of the base channel. Place the hold down plate as shown in **Image 35** on top of the crushed limestone. Begin shifting the hold down plate in a forwards and backwards motion (**see Image 36**), while simultaneously applying a downward force on the hold down plate until the plate rests on top of the base channel. Check to see that the outside ends of the hold down plate have filled with material, and insert material into any open areas until they are full. This will prevent any low spots from forming around the hold down plates when the pool is filled with water. (**Image 34**)

Important: make sure each entire hold down plate lies completely flat. The hold down plate must lie flat or it may lift and damage the pool liner after the pool is filled with water.



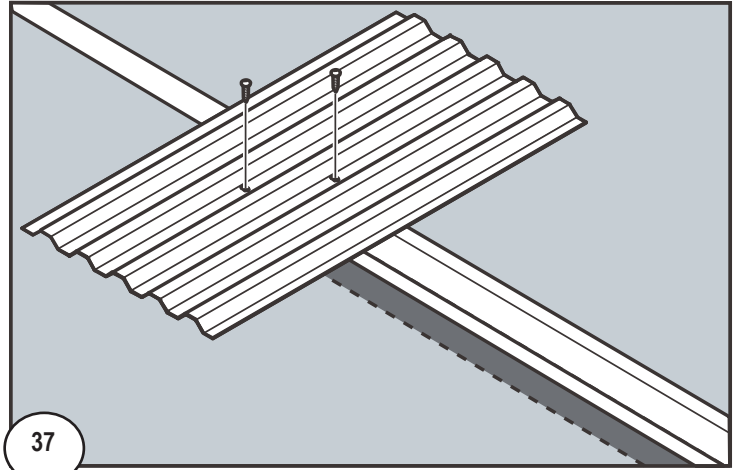
Important Note:
Brick sand or vermiculite cannot be used on any part of the buttress installation process. These materials have poor compaction properties that can cause problems with the buttresses after the pool has been filled with water

Section 1

GENERAL INSTRUCTIONS - OVAL POOLS GROUND PREPARATION

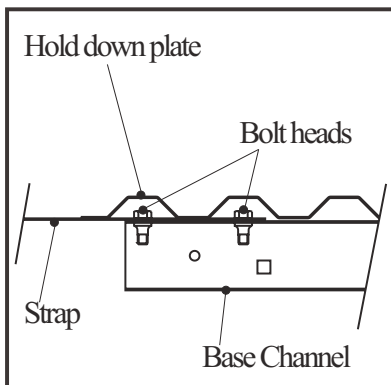
D. CONT. ASSEMBLING THE BUTTRESS

- g. Line up the holes in the hold down plate with the holes in the base channel and fasten with two screws. **(Image 37)**
- h. Repeat steps 5 (f) and (g) on the opposite side of the pool.
- i. Make sure the area across the middle of the pool between the buttresses is flat and level. Join the two straps already installed with any additional straps (key 8) together to make a full-length strap, joining the two sides of the pool (Note: the 12 x 18 and 12 x 24 pools do not have any additional straps). Line up the holes and fasten together with four bolts (key 21) and four nuts (key 10). The bolt heads must be on the top and the nuts underneath. Tighten the bolts. **(Image 38)**
- j. Repeat steps 5 (b) to (i) for the rest of the buttresses and hold down plates. Tighten all of the bolts.

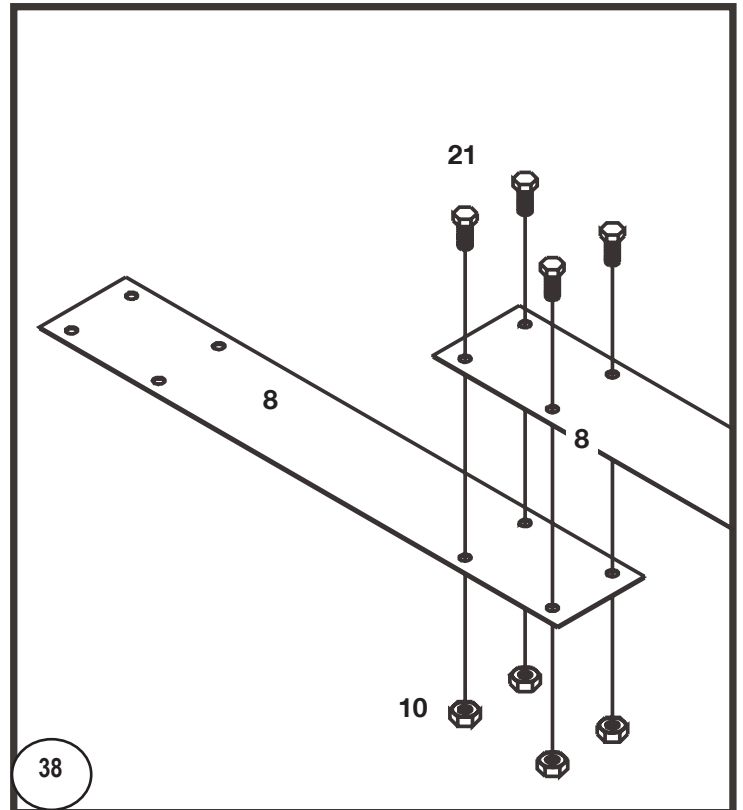


Important Note:

When lining up the holes in the base channel and the hold down plate, ensure the bolt heads in the strap are in the first two grooves of the hold down plate. **(Image Below)**



- k. Once all the trenches are dug and buttresses with patio stones are installed. Remeasure each buttress to ensure that they are all straight and that the buttress is perpendicular.
- l. *Now add crushed stone around the buttress (do not cover) and be careful not to move the buttress. Take measurements at every upright and then check measurement again.



6. Proceed to Section 2 - Assembling the Pool Base

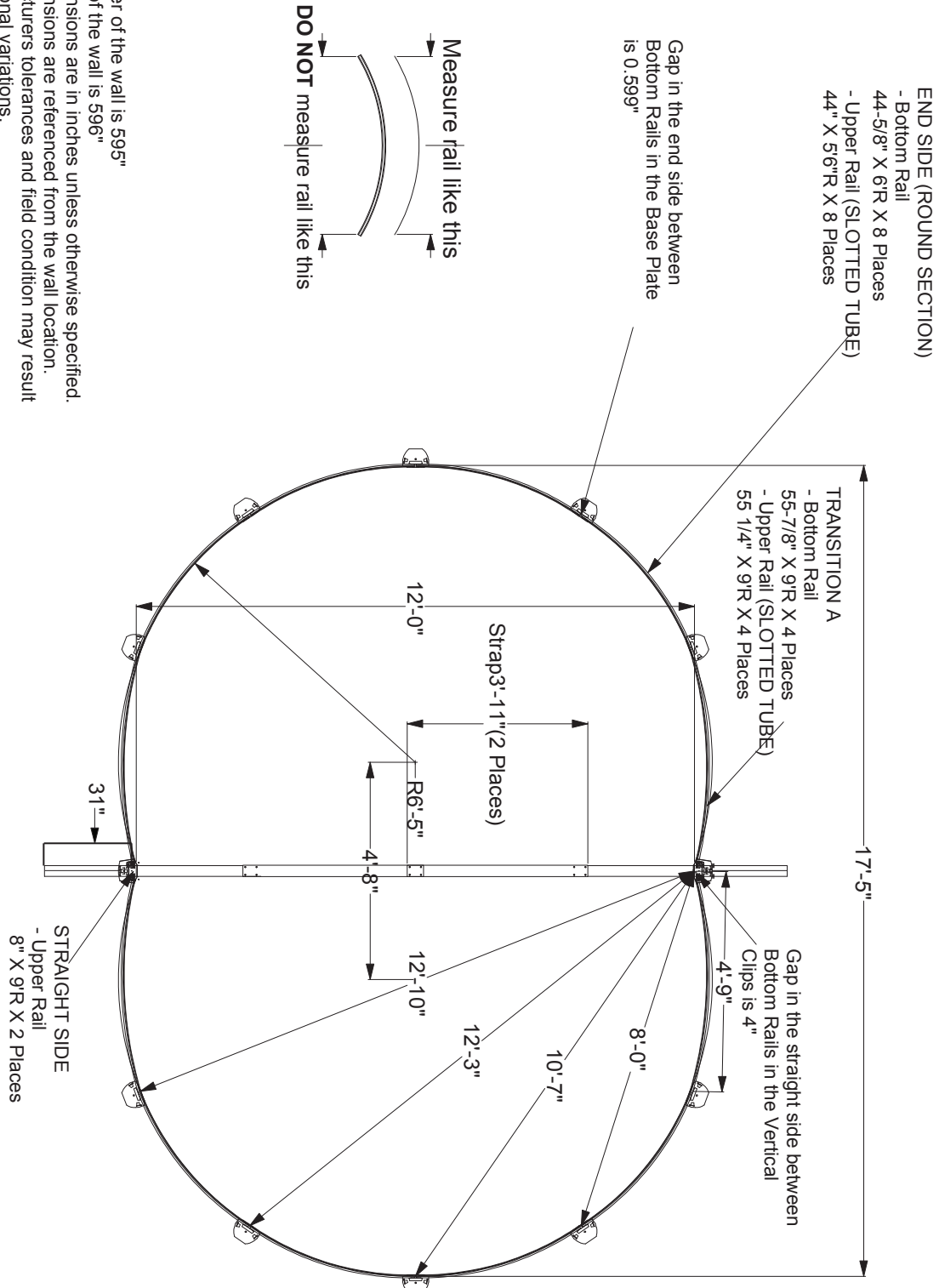
This section contains your pool's footprint.

Section 1

GENERAL INSTRUCTIONS - OVAL POOLS GROUND PREPARATION

OVAL FOOTPRINT - 12 x 18

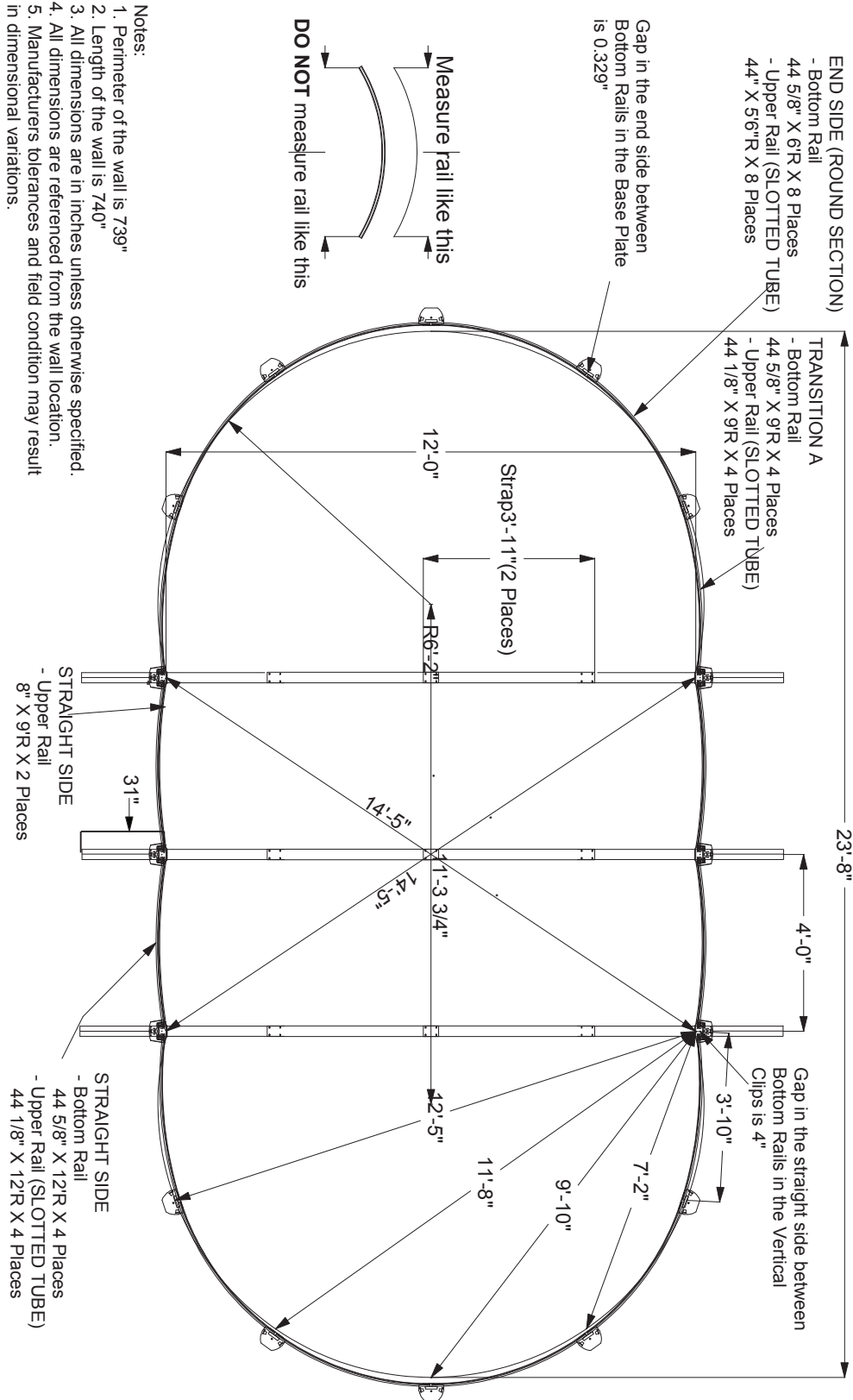
- Notes:
1. Perimeter of the wall is 595"
 2. Length of the wall is 596"
 3. All dimensions are in inches unless otherwise specified.
 4. All dimensions are referenced from the wall location.
 5. Manufacturers tolerances and field condition may result in dimensional variations.



Section 1

GENERAL INSTRUCTIONS - OVAL POOLS GROUND PREPARATION

OVAL FOOTPRINT - 12 x 24

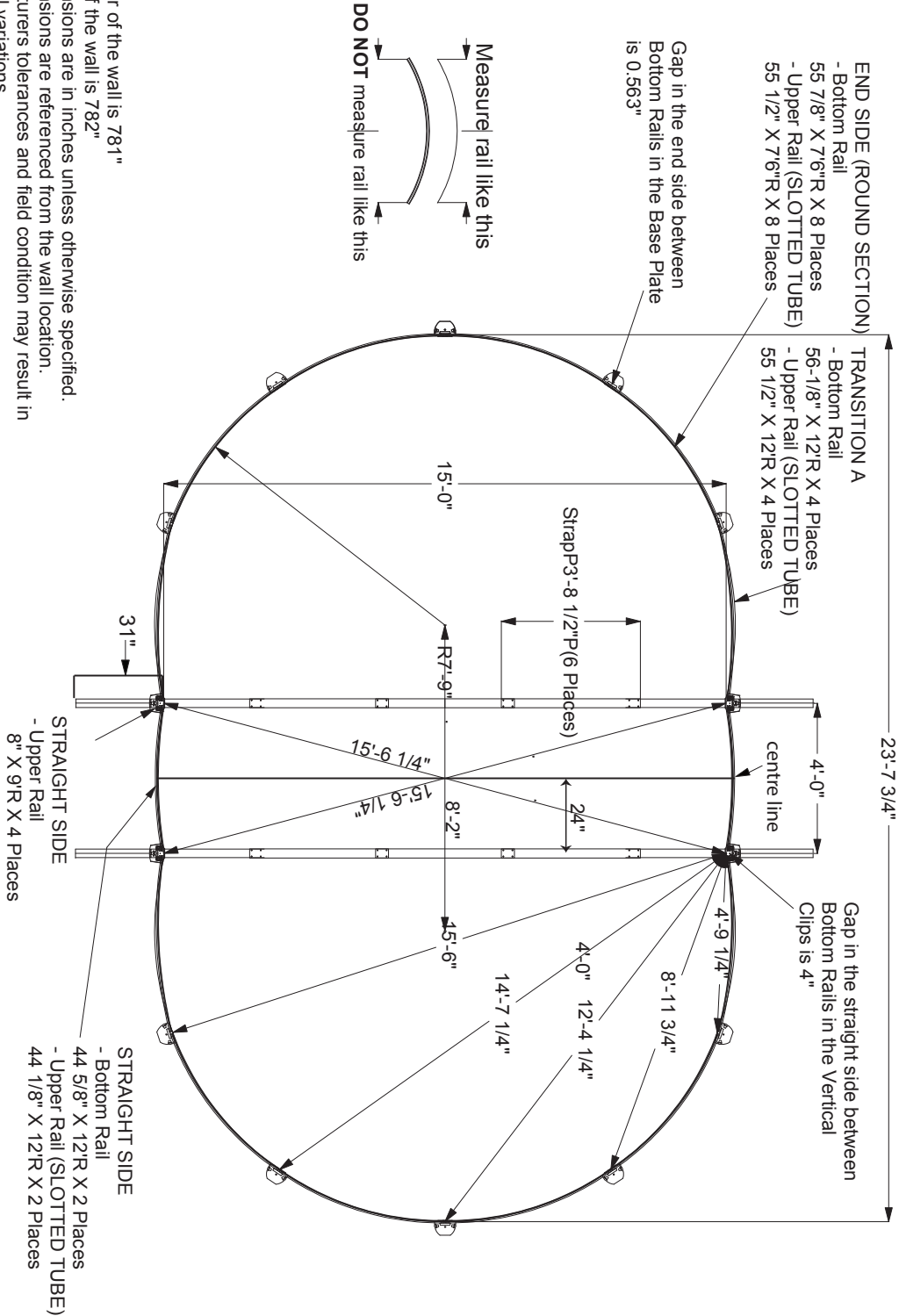


Section 1

GENERAL INSTRUCTIONS - OVAL POOLS GROUND PREPARATION

OVAL FOOTPRINT - 15 x 24

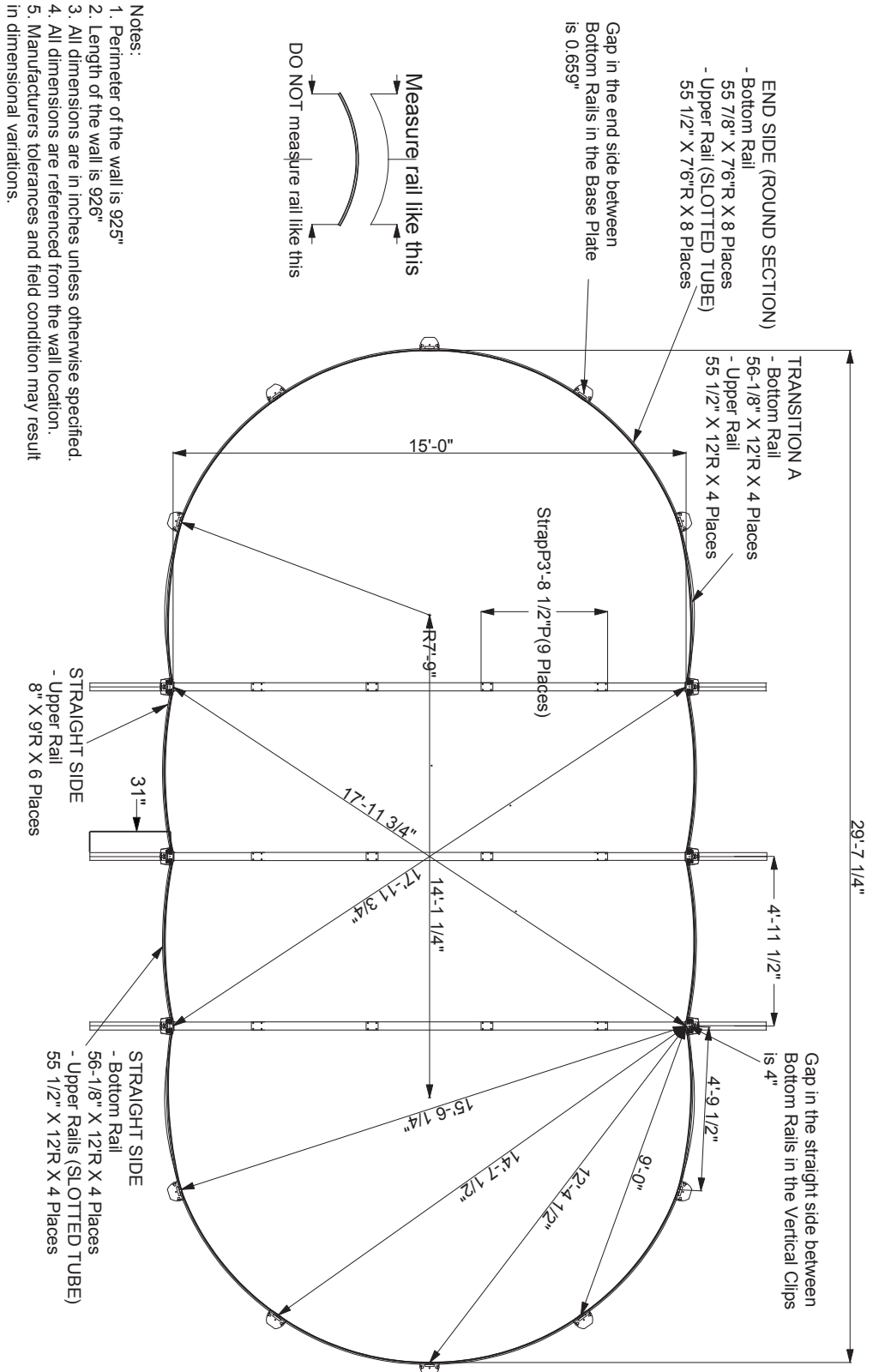
- Notes:
1. Perimeter of the wall is 78'1"
 2. Length of the wall is 78'2"
 3. All dimensions are in inches unless otherwise specified.
 4. All dimensions are referenced from the wall location.
 5. Manufacturers tolerances and field condition may result in dimensional variations.



**Section
1**

**GENERAL INSTRUCTIONS - OVAL POOLS
GROUND PREPARATION**

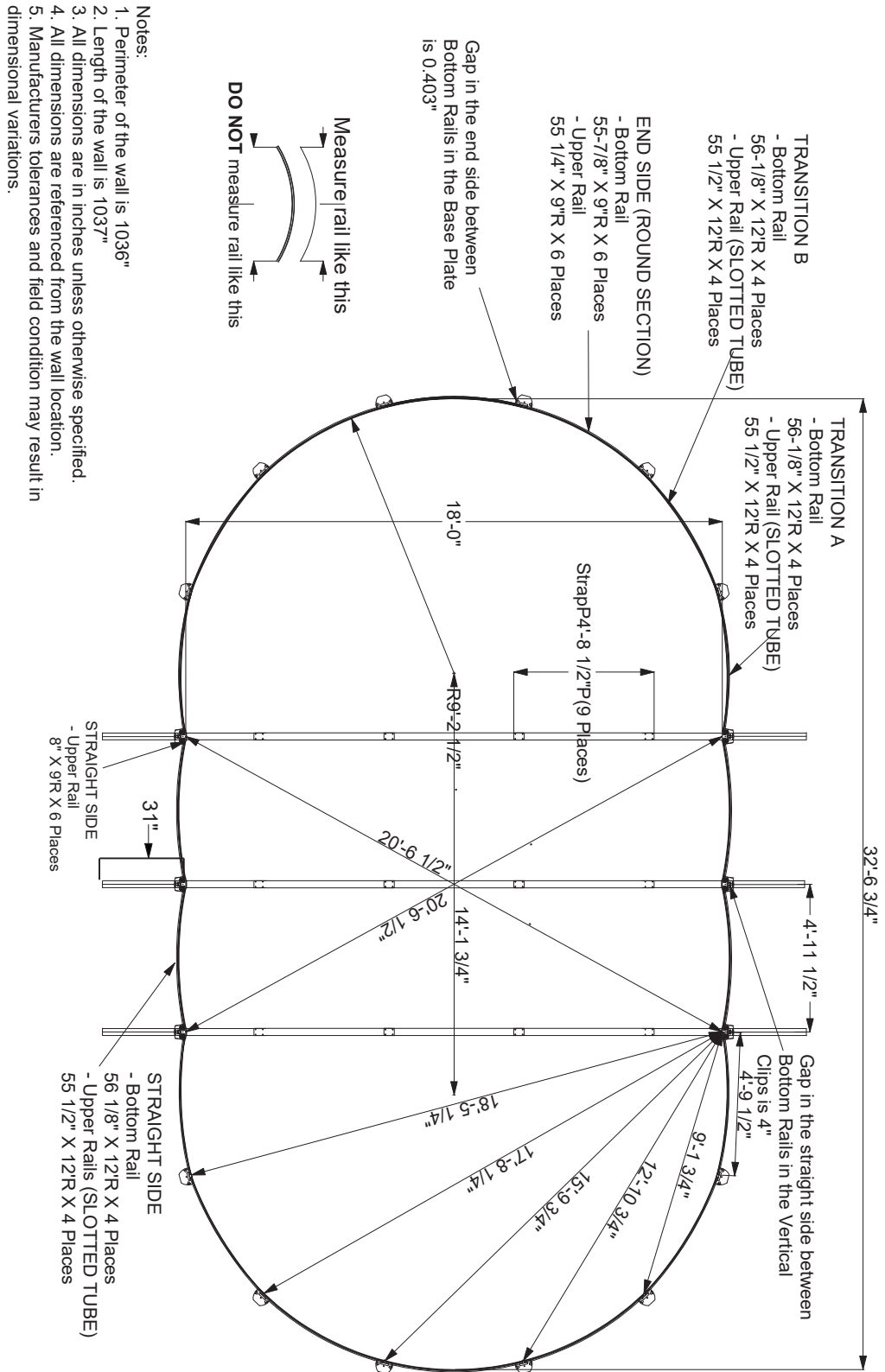
OVAL FOOTPRINT - 15 x 30



Section 1

GENERAL INSTRUCTIONS - OVAL POOLS GROUND PREPARATION

OVAL FOOTPRINT - 18 x 33



Section 2

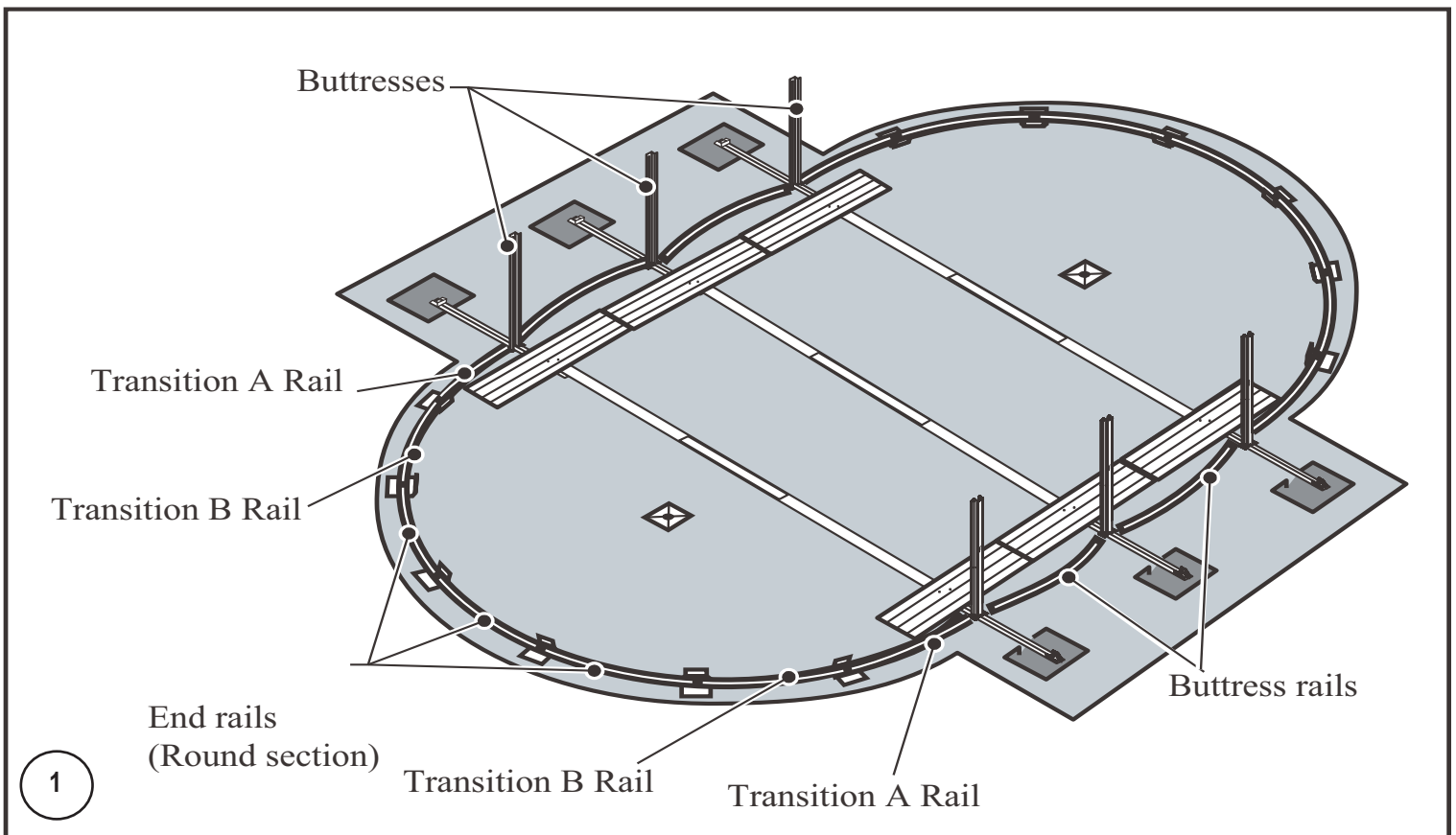
GENERAL INSTRUCTIONS - OVAL POOLS ASSEMBLING THE POOL BASE

A. ASSEMBLING POOL BASE & SIDE STRUCTURE

1. Install the curved bottom rails

- a. Each pool uses two, three or four different types of curved bottom rails. **(Image 1)**
Please refer to your pool footprint (at the end of Section 1) in order to recognize where each type of bottom rail should be placed.

The 18 x 33 pool is the only size that uses all four types of rails. The image below shows the locations for each type.



! Important Note:

Be sure to refer to your pool footprint (at the end of Section 1), in order to recognize where each bottom rail should be placed.

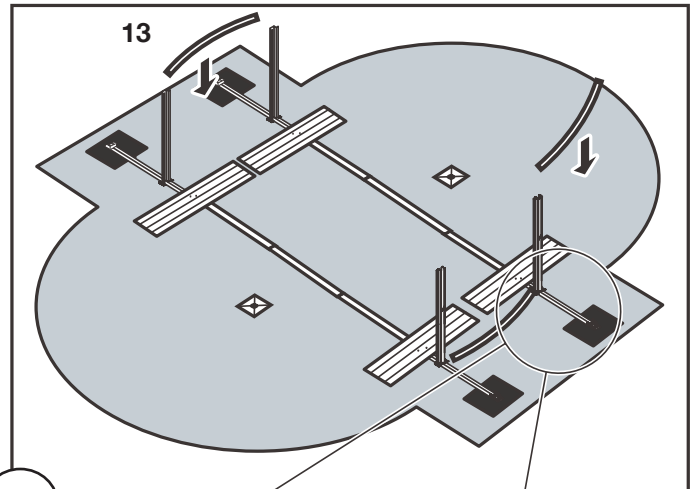
Section 2

GENERAL INSTRUCTIONS - OVAL POOLS ASSEMBLING THE POOL BASE

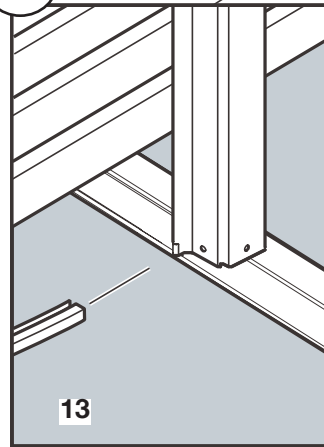
A. CONT. ASSEMBLING POOL BASE & SIDE STRUCTURE

- b. Insert the buttress rails between the buttresses (if you have a 12 x 18 pool, skip step (b) and go to step (c)). The bottom rails insert into the notch in the upright channel. Make sure the groove faces up.
- c. Insert the transition A rails (key 13). Slide one end of each rail into the notch in the upright channel **(see diagrams 3 and 4)** and slide the other end together with a base plate **(key 14 see diagrams 8 to 10 on next page)**.

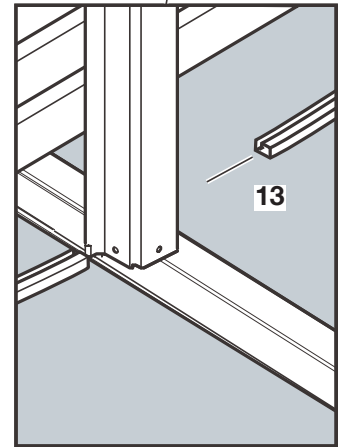
Important: make sure you slide the rail into the notch so the closed, square part of the rail is in the notch, not the open groove part of the rail **(see diagrams 5 & 6)**.



2



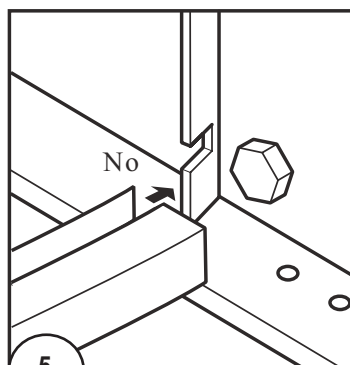
3



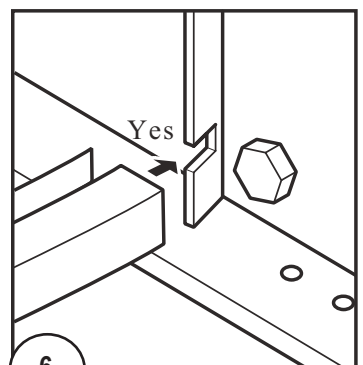
4

! Important Note:

When measuring the distance to the face of each base plate, use a piece of string longer than required and place a mark on the string at the required distance.



5



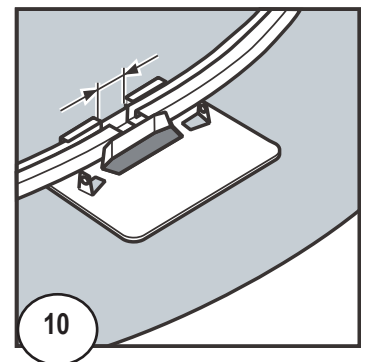
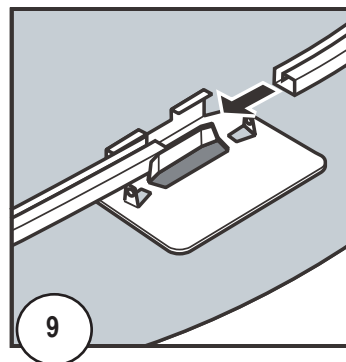
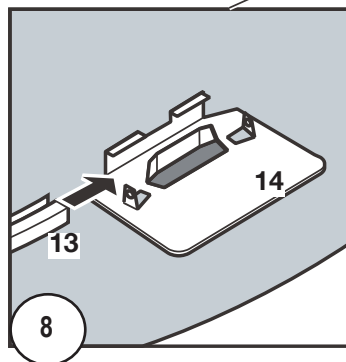
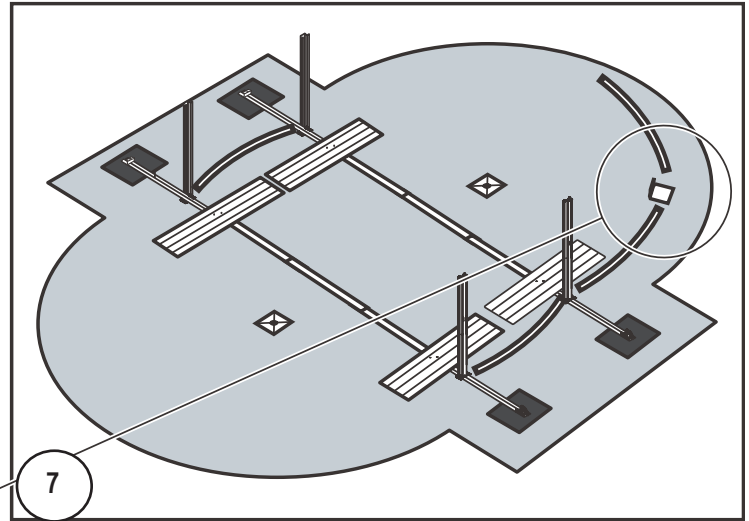
6

Section 2

GENERAL INSTRUCTIONS - OVAL POOLS ASSEMBLING THE POOL BASE

A. CONT. ASSEMBLING POOL BASE & SIDE STRUCTURE

- d. Slide the other end of the transition A rail together with a base plate (key 14). **(Images 8 to 10)**
- e. If you have an 18 x 33 pool, insert the transition B rails (if you have any other size pool, skip to step (f)). Leave between 1/4" to 3/4" gap between the ends of the rails—CHECK YOUR POOL'S FOOTPRINT FOR GAP MEASUREMENT (see diagram 1 on the previous page for the 18 x 33 pool).
- f. Lay out the end rails and base plates on both rounds ends of the pool area. Refer to your pool's footprint to ensure correct dimension. (Note: this step will not work on the buttress rails or transition rails.)
- g. Insert the end rails. Leave a gap (please see your pool's footprint for gap measurement) between the ends of the rails.



Important Note:

Bend the first 1/8" (3 mm) of the end of the bottom rail slightly with a pair of pliers to make sure the rail doesn't slide out of the base plate when the pool wall is installed.

Cut several small pieces of wood approximately 3/8" x 3/8" (10 x 10 cm) square and place one between the two bottom rails located at each base plate. This will keep the bottom rails from closing while the wall is installed. Be sure to remove the blocks of wood later, before installing the verticals in Section 4.

Section 2

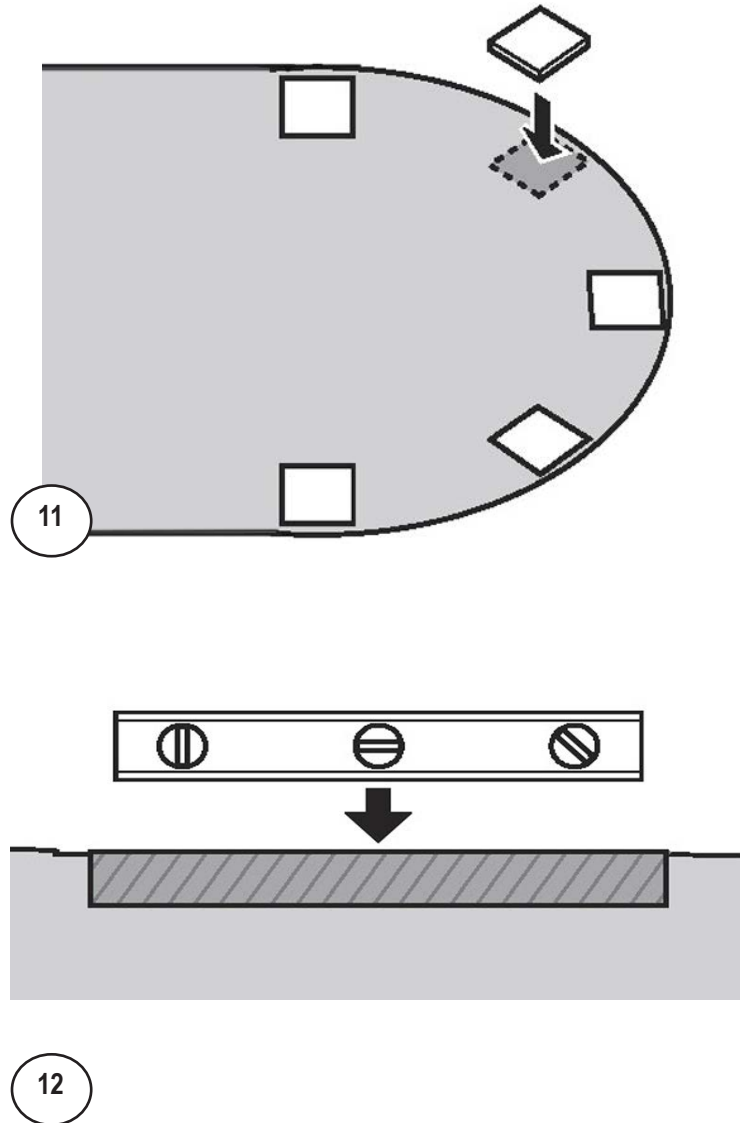
GENERAL INSTRUCTIONS - OVAL POOLS ASSEMBLING THE POOL BASE

A. CONT. ASSEMBLING POOL BASE & SIDE STRUCTURE

2. Patio Stones (Optional)-Round Section

- Concrete patio stones may be placed at the base of each upright of your pool. **(Image 11)**
- Each bottom plate will show the location for a patio stone. Make a mark in the ground at each base plate.
- Remove the bottom rails and bottom plates and lay out the patio stones around the circle where the bottom plates were.
- The patio stones must be sunk into the ground so the tops are flush with the soil around them. Use the carpenter's level to make sure the patio stones are perfectly level and flush with the ground. Use either the carpenter's level and a 2-by-4 (5cm x 10cm) wood plank, or the optical level between patio stones to make sure the stones are level with each other. **(Image 12)**
- Do not install blocks or rails on loose sifted soil or sand. There must be no space between the ground and the bottom of the rails. All patio blocks must be flush with the ground, solid and level with each other in all directions.

NOTE: Installing patio blocks is optional and the blocks may shift due to temperature changes.



Important Note:

Make sure the patio stones are perfectly level and flush with the ground. All patio blocks must be flush with the ground, solid and level with each other in all directions

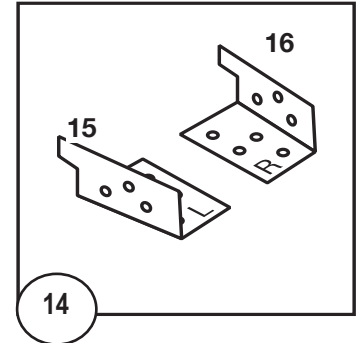
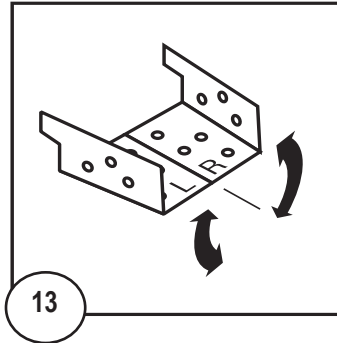
Section 2

GENERAL INSTRUCTIONS - OVAL POOLS ASSEMBLING THE POOL BASE

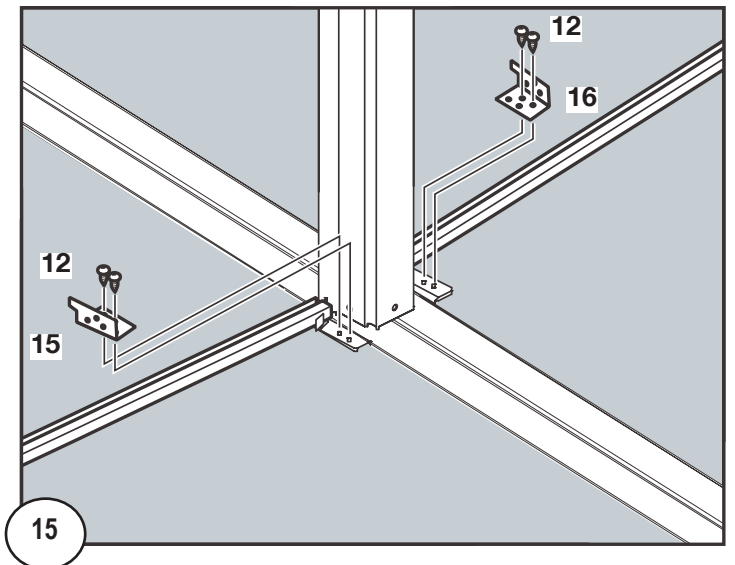
A. CONT. ASSEMBLING POOL BASE & SIDE STRUCTURE

3. Install Vertical (Upright) Clips

- a. The vertical clips (key 15 and 16) are supplied joined together in left-hand and right-hand pairs. Bend the clips along the centre seam to snap them apart. **(Images 13 & 14)**

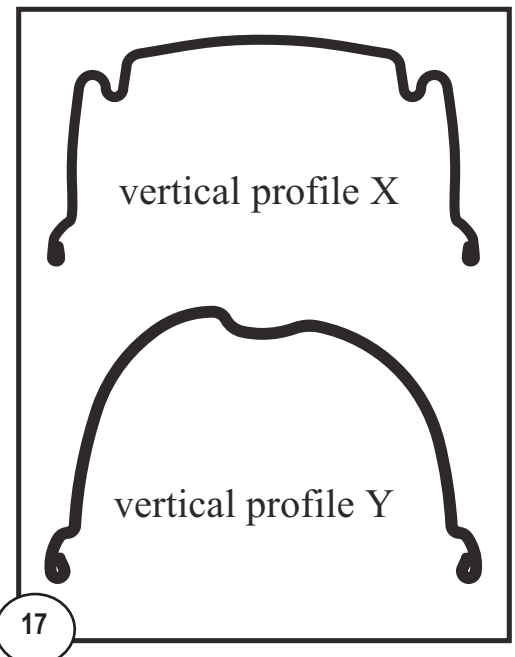
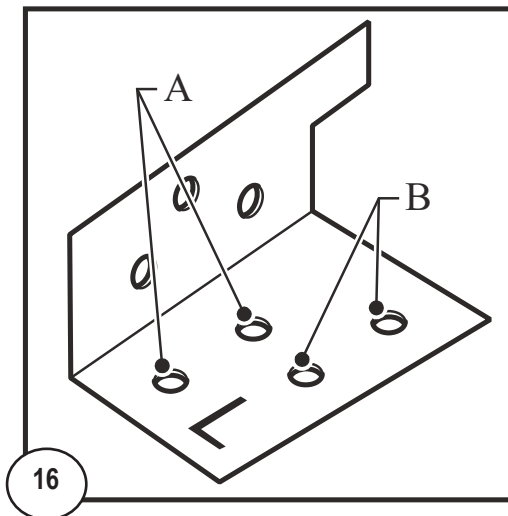


- b. Fasten the left-hand vertical clip (key 15) with two self-tapping screws (key 12) to the base U-channel. (Note: the left-hand vertical clip is on the left when you are facing toward the centre of the pool.) **(Image 15)**



Important: be sure to use the pair of holes in the vertical clip as shown in **Image 16**, and use the profiles of the vertical in **Image 17** to identify which pool you have. If your vertical profile matches either profile X or Y, use the pair of holes marked B; all other pools use the pair of holes marked A.

- c. Tighten the screws.
- d. Repeat steps (b) and (c) for the right hand vertical clip (Key 16).
- e. Repeat steps (a) to (d) for the rest of the buttresses.



Important Note:
Put duct tape along the top edge of the buttress so there are no exposed edges that might tear the pool liner or scratch the pool wall.

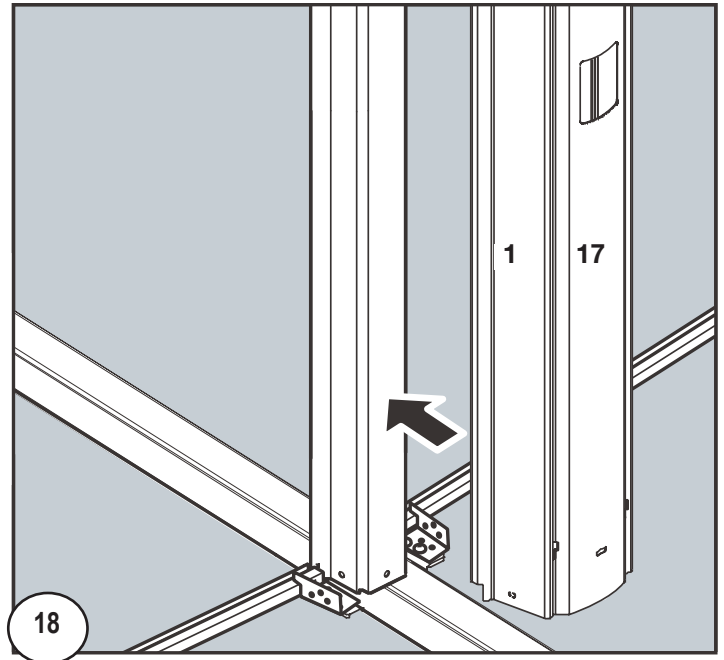
Section 2

GENERAL INSTRUCTIONS - OVAL POOLS ASSEMBLING THE POOL BASE

A. CONT. ASSEMBLING POOL BASE & SIDE STRUCTURE

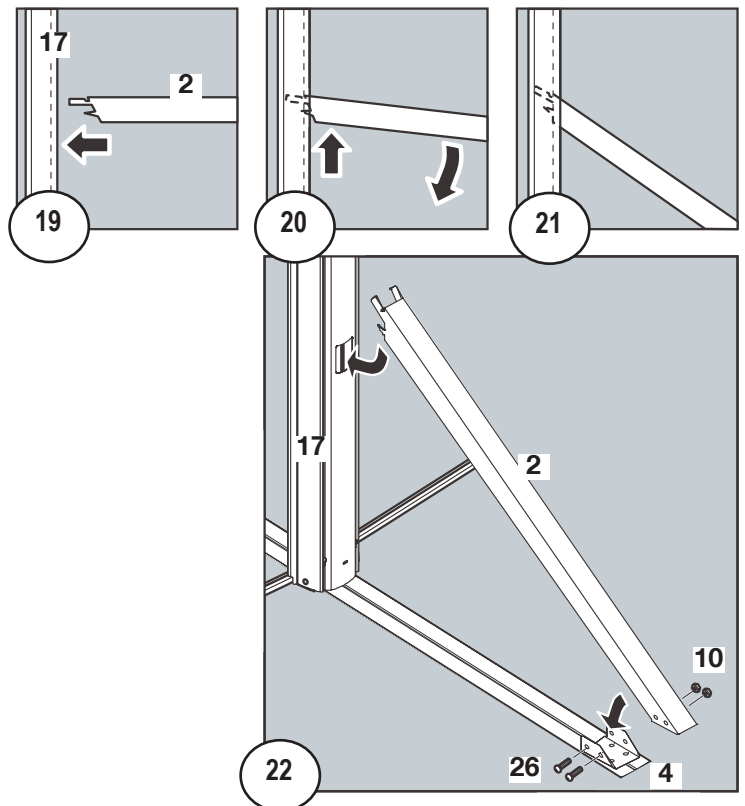
4. Install the Verticals

- Set one vertical (key 17) in place over an upright (key 1). Do not fasten it yet (you will fasten it in step 4(d)).
(Image 18)
- Repeat step (a) for each of the buttresses. (Note: the rest of the verticals around the round ends of your pool will be installed later.)



5. Install the Diagonals

- Hold one diagonal brace (key 2) approximately horizontal, insert the four tabs at the end of the diagonal through the rectangular hole in the vertical (key 17) into the slots in the upright (key 1) inside the vertical (see diagram 21)
- Pull upward on the inserted end of the diagonal to make the tabs slide up and lock into position in the slots. At the same time, swing the other end of the diagonal down onto the diagonal bracket (key 4) on the base channel
(see images 19 & 20). Very important: as you swing the diagonal down, make sure you apply constant upward pressure on the end of the diagonal brace with the tabs to ensure they stay fully locked in position in the slots.
- Fasten the bottom end of the diagonal brace to the diagonal bracket (key 4) with two 2-1/4" (57 mm) bolts (key 26) and nuts (key 10). Do not overtighten the bolts. They only need to be snug enough to ensure a secure fit.
(Image 22)



Section 2

GENERAL INSTRUCTIONS - OVAL POOLS ASSEMBLING THE POOL BASE

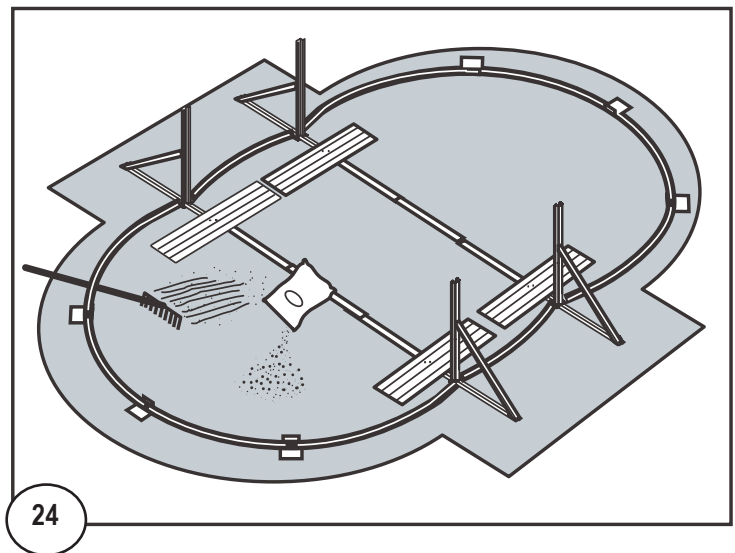
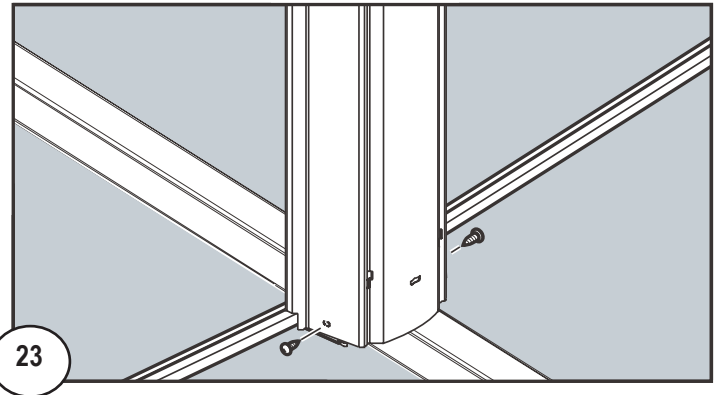
A. CONT. ASSEMBLING POOL BASE & SIDE STRUCTURE

- d. Fasten the vertical upright with two screws. **(Image 23)**
- e. Repeats steps to finish installing the remaining buttresses on the straight side of your pool.

6. Spread out Brick Sand

- a. Make sure any screw or bolt heads that are to be covered with sand or styrofoam are covered with duct tape first.
- b. Fill in all of the trenches completely with crushed limestone.
- c. Spread a layer of fine brick sand (no pebbles) over the foundation area, 2" (5 cm) deep. Use a rake to make the brick sand flat and smooth. Instead of brick sand, you can use 1" or 1-1/2" (25 or 38 mm) thick sheets of styrofoam. Cut the sheets to fit. Remove the Styrofoam until the wall is installed. Reinstall the styrofoam sheets and join them with duct tape along the whole length of each seam. Remember to wait until the pool wall has been installed before installing the Styrofoam.

(Image 24)



! Important Note:

Spread brick sand or sheets of styrofoam out over the entire pool foundation area inside the base rails. This provides a protective surface for the pool liner to rest on.

7. Proceed to Section 3 -Assembling Pool wall

Section 3

GENERAL INSTRUCTIONS - OVAL POOLS ASSEMBLING THE POOL WALL

A. SETTING UP THE POOL WALL

Do not attempt to install the pool wall in the wind, wait for a calm day.
It takes at least 3 people to install the pool wall.

1. Preparing for the wall installation

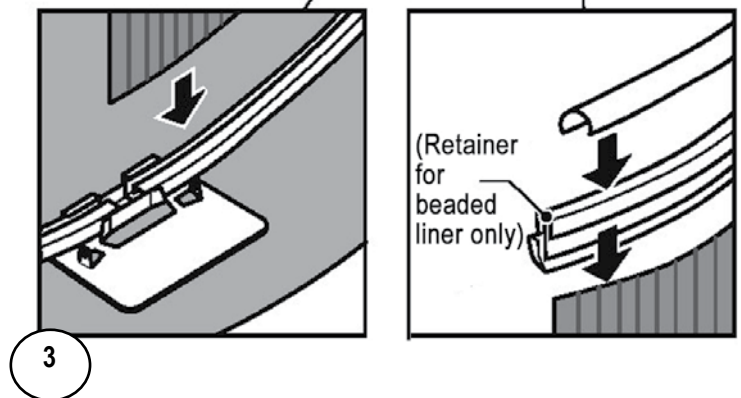
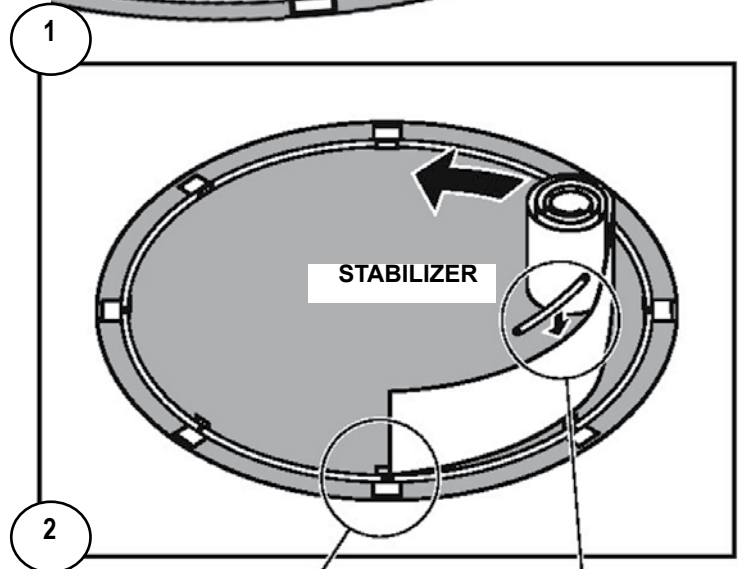
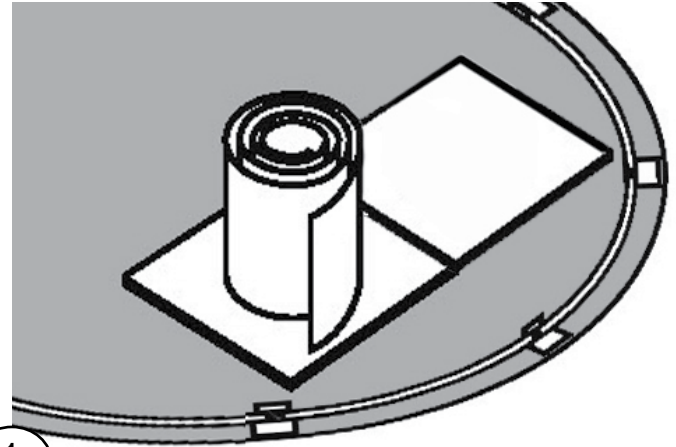
- Bring the following items into the middle of the pool foundation before you start uncoiling the pool wall: plywood, some extra sand or fine dirt to make the cove and a ladder to climb out after the wall is assembled.
- Make sure the skimmer and water return holes are located where you need them to be. The skimmer and water return holes are positioned towards the end of the wall, **(the section before where the wall started)**.

⚠ Important Note:
Wall edges, skimmer and water return holes may be sharp, it is important to wear gloves when installing.

2. Set the pool wall in place

- Unpackage the coiled pool wall and stand it on the plywood at the place close to where you need to install the skimmer. **(Image 1)**
(Remember the skimmer and water return holes will be placed at the section just before where you started the wall installation).
- Start uncoiling the wall, guiding the bottom edge into the curved bottom rail. The starting end of the wall must be positioned in the centre of a bottom plate, and the skimmer and return holes should be positioned where the pump and filter will be. **(Image 1 TO 3)**
- Set lengths of stabilizer onto the top edge of the wall as you uncoil it. **(Image 2)**
- We also suggest installing vinyl-covered hooks and rope to hold the wall steady. Ideally the help of several people should be solicited to hold the wall in place. Work around the foundation until the entire pool wall is uncoiled into the bottom rails.
- When uncoiling the wall, the skimmer and return holes are positioned toward the end of the wall.

⚠ Important Note:
It is preferable to use very fine sand that is easily compacted. Be careful not to spill sand on the bottom rails.



Section 3

GENERAL INSTRUCTIONS - OVAL POOLS ASSEMBLING THE POOL WALL

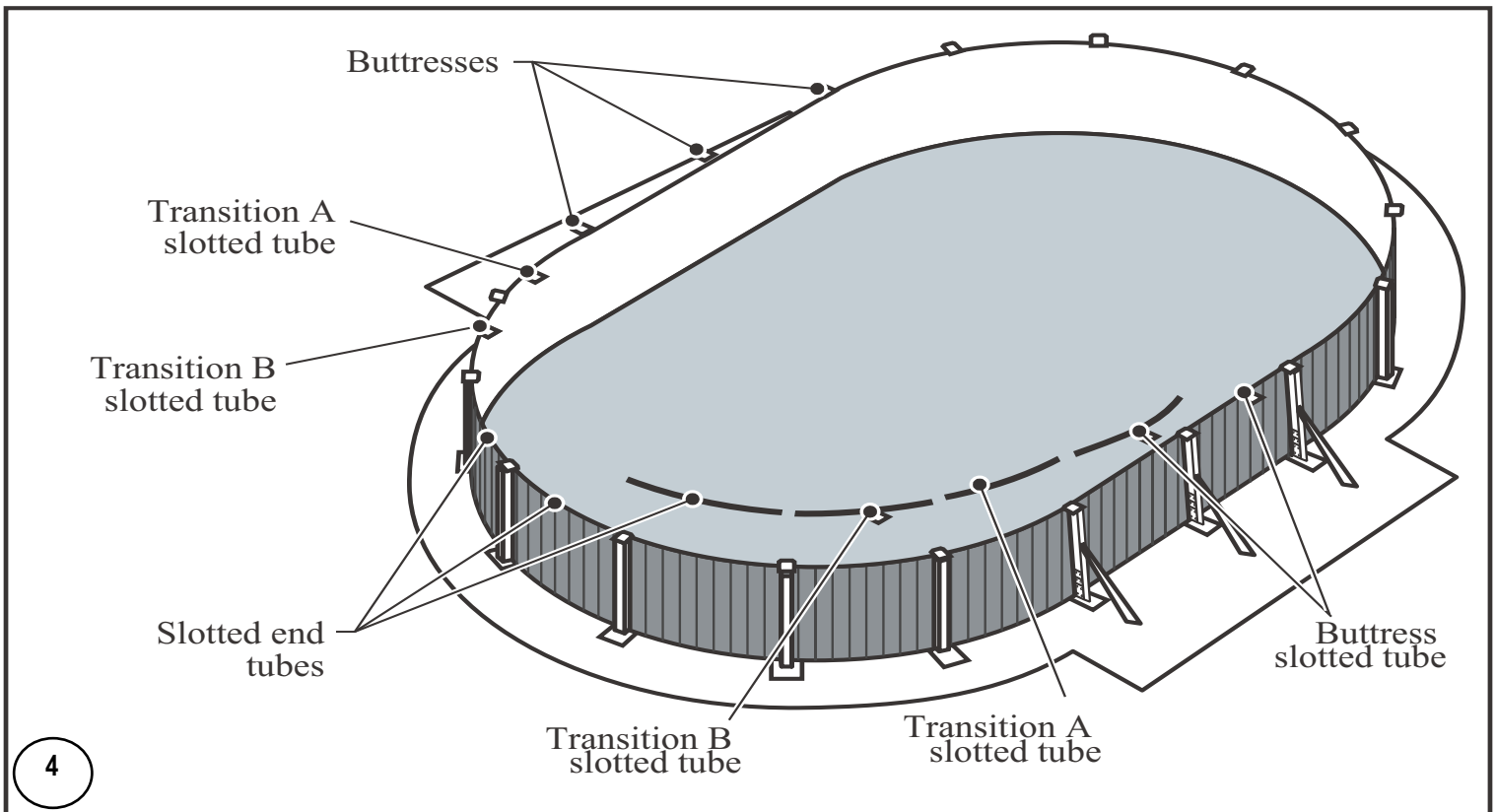
A. CONT. SETTING UP THE POOL WALL

3. Installation of the slotted tube.

- a. As you erect the wall, install the slotted tubes to obtain greater stability. Please refer to your pool's footprint in Section 1 in order to know where to place the correct lengths. As you set lengths of slotted tube onto the top edge of the wall while you uncoil it, join the slotted tubes with connectors as you go, leaving a 1/2" (13 mm) gap between each. (If you have a beaded pool liner, set lengths of liner retainer on the top edge of the wall first, then the slotted tubes and connectors.)

The 18 x 33 pool is the only size that uses all four types of slotted tubes. **Image 4** below shows the locations for each type.

Note: Using a 2"(5cm) piece of duct tape, tape the ends of the 6"(15cm) metal slotted tube connector over the slotted tubes and onto the pool wall. This will prevent the slotted tubes from moving during the liner installation.



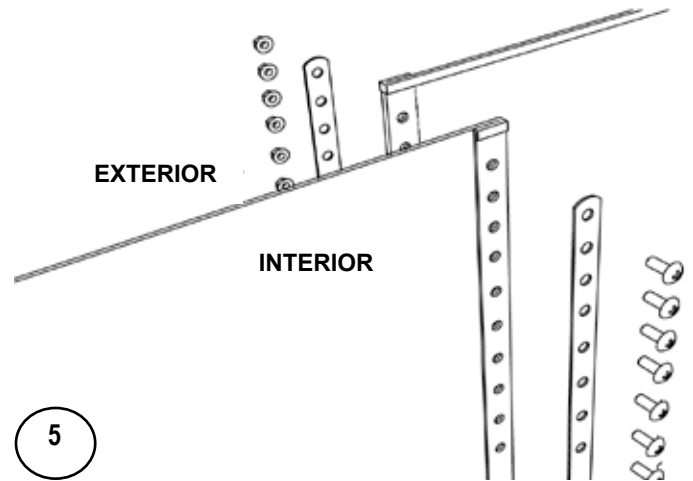
Section 3

GENERAL INSTRUCTIONS - OVAL POOLS ASSEMBLING THE POOL WALL

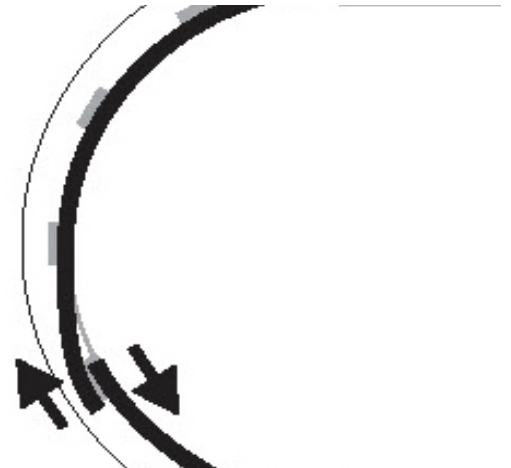
A. CONT. SETTING UP THE POOL WALL

4. Join the ends of the pool wall

- a. Line up the holes in the two ends of the pool wall.
(Image 5)
 - b. Now that you have installed the wall you can be faced with three scenarios.
 - 1) The wall joints align perfectly, if so, move on to the next step (c).
 - 2) Your wall appears to be too short. **It is not.** However the space between the bottom rails must be decreased by lightly tapping the bottom plates towards the inside of the pool. You can also tap the wall lightly with both hands in the desired direction. **(Image 6)**
 - 3) Your wall appears too long. **It is not.** However the space between the bottom rails must be increased by tapping the bottom plates lightly towards the outside of the pool or by tapping the wall with both hands in the desired direction. **(Image 7)**
- You **MUST** recheck the gaps at each and every one of the bottom rails so that they are all equal in gap size.
- 3) Your wall appears too long. **It is not.** However the space between the bottom rails must be increased by tapping the bottom plates lightly towards the outside of the pool or by tapping the wall with both hands in the desired direction. **(Image 7)**
- You **MUST** recheck the gaps at each and every one of the bottom rails so that they are all equal in gap size.



5



6



7

⚠ Important Note:
Bottom rails must always be held in place in the bottom plate.

⚠ Important Note:
You **MUST** recheck the gaps at each and every one of the bottom rails so that they are all equal in gap size.

Section 3

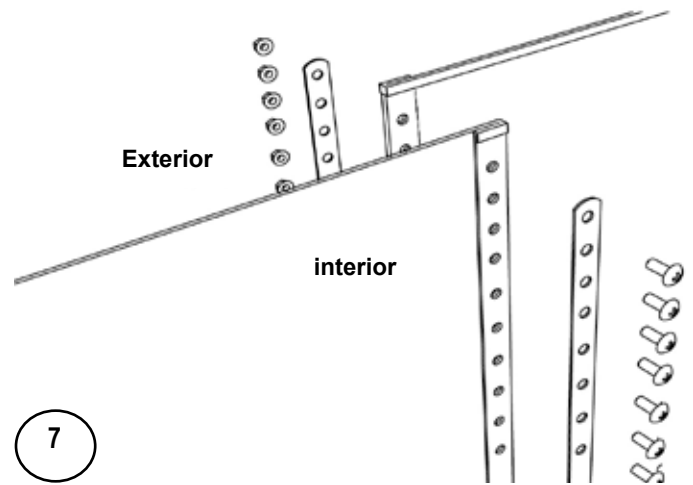
GENERAL INSTRUCTIONS - OVAL POOLS ASSEMBLING THE POOL WALL

A. CONT. SETTING UP THE POOL WALL

- c. To fasten the wall joint, overlap the two steel bars, one on the inside and the other on the outside. Tighten the mechanical screws on the inside and the nuts on the outside. Ensure that all bolts and all the holes are used. **(Image 7)**

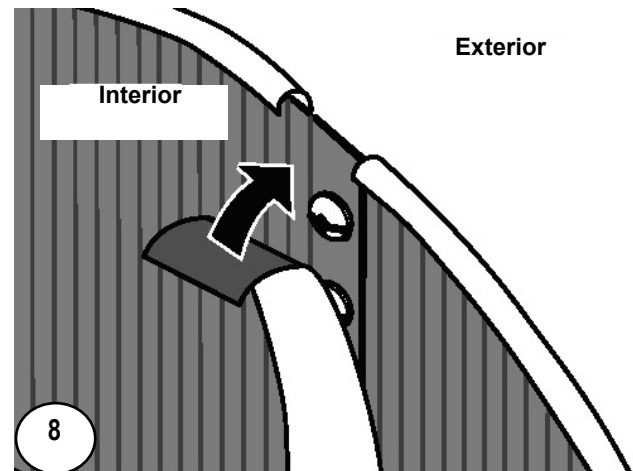
Important Note:

Stick a screwdriver through two of the holes to help line up the ends of the wall.



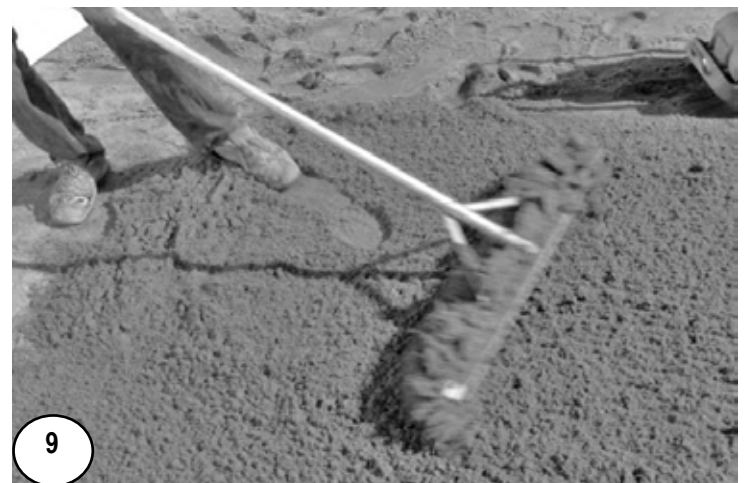
When tightening the screws start from either the top and go down or vice versa. Do not start a few screws from top and a few from the bottom to meet in the middle, this can cause problems later on.

- d. Adjusting the pool to the proper shape may cause the bottom rails and bottom plates to slip out of alignment a little. Recheck all of the bottom plates to make sure each one is centred where the bottom rails meet.
- e. Cover the seam and bolt heads on the inside/interior of the pool wall completely with 2" (50mm) duct tape. **(Image 8)**
- f. Lay a 3" thick bed of sand across the entire inside of the pool (wall-to-wall). This will form your base. **(Image 9)**



Important Note:

The pool must be level across the perimeter. A pool that is not level is dangerous and may collapse.



Section 3

GENERAL INSTRUCTIONS - OVAL POOLS ASSEMBLING THE POOL WALL

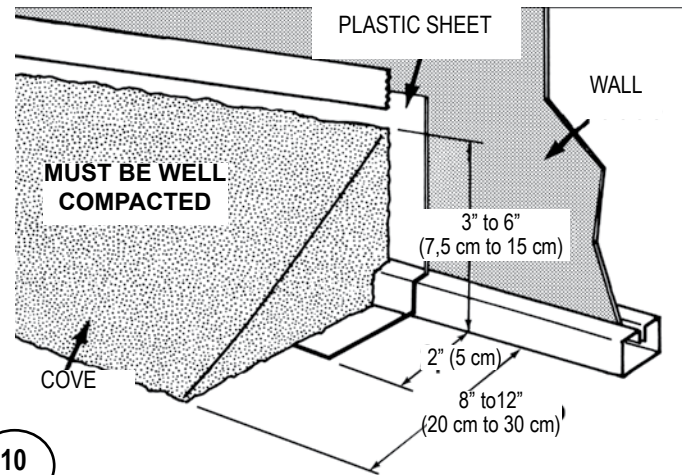
B. ASSEMBLING THE COVE

1. Make the cove

- If you are using sand, bank the sand against the wall to form a cove of 3" to 6" (7.5cm to 15cm) high and 8" to 12" (20cm to 30cm) wide at ground level. This will prevent the liner from creeping under the wall, and it will also protect the liner from any metal edges of the pool framework. **THIS STEP IS NOT OPTIONAL, IT MUST BE DONE. (Image 10)**

NOTE: If a smaller cove (less than 3" (7.5cm)) is made along with using a very tight liner, this will buckle the wall.

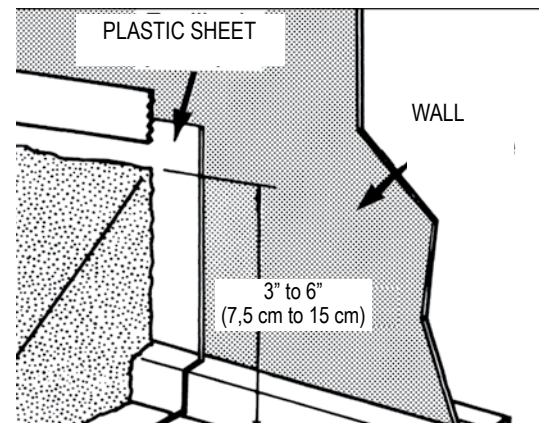
- Water the sand to compact it and use a trowel to spread it evenly. (Image 11)
- Since earth containing chemicals can cause discoloration or corrosion, it is suggested that you place **polyethylene plastic sheeting** under the cove around the perimeter of the wall, so no earth comes in contact with the metal. Since the presence of such chemicals is beyond the control of the manufacturer, such damage is not covered under warranty. (Image 12)
- If you are using styrofoam cove pieces instead of sand, insert them in the bottom rail and refer to the installation instructions that are provided with them.
- Proceed to your liner instructions and after liner installation proceed to Section 4-Installing the pool frame.



10



11



12



Important Note:

The cove is an important part of the pool structure. Take your time to make a complete, full-size cove.



IMPORTANT INFORMATION ABOUT YOUR LINER

We do not make or supply liners for our pools.

Please contact your liner's manufacturer with questions or if instructions are not included with the liner.

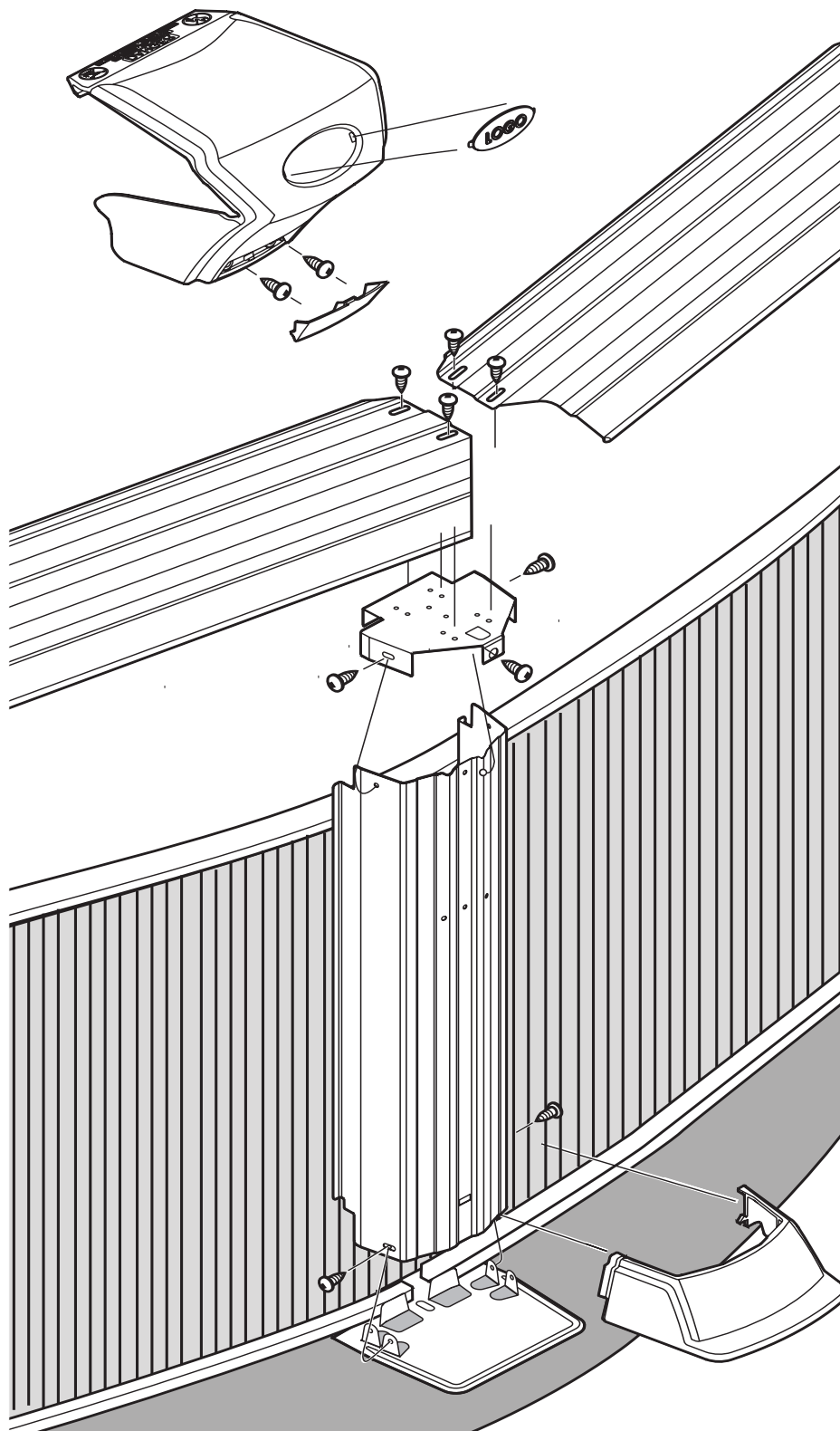
Liner must be installed per the liner manufacturer's instructions.

Incorrect liner installation may void the warranty.

GENERAL INSTRUCTIONS - OVAL POOLS ASSEMBLING THE POOL FRAME

A. INSTALLATION OVERVIEW

Overview of the Upright, Top Ledge and Ledge Cover



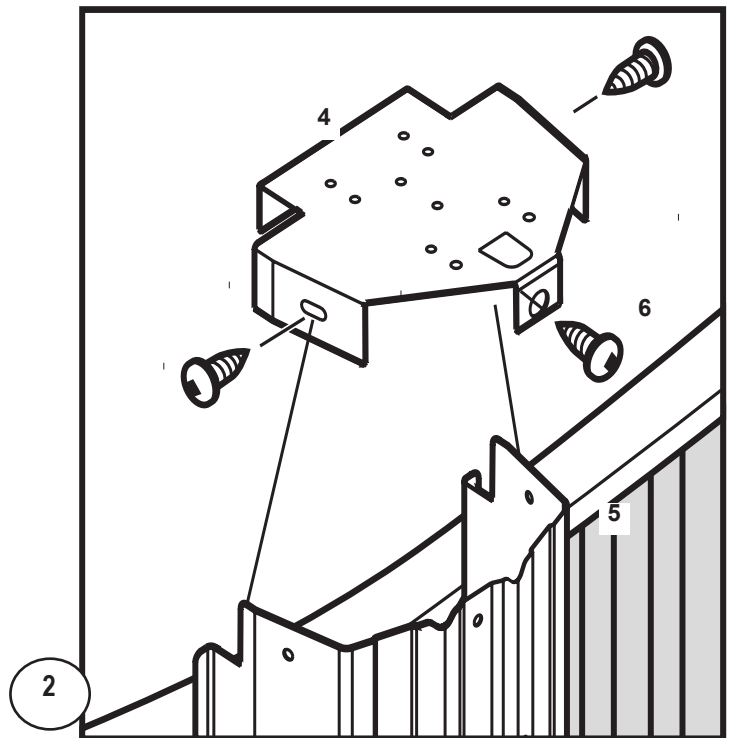
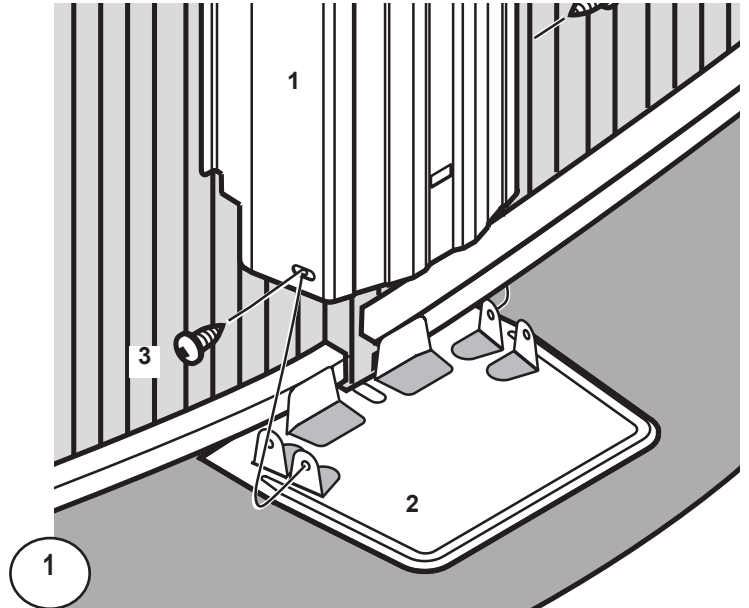
Section 4

GENERAL INSTRUCTIONS - OVAL POOLS ASSEMBLING THE POOL FRAME

B. INSTALLATION OF THE UPRIGHTS AND TOP PLATE

1. Install the uprights.

- Line up the bottom of one upright (key 1) with the two small tabs on one base plate (key 2). The tabs must be on the inside of the upright. The three holes on the front of the upright must be nearest the top.
- Line up the screw holes and fasten with one self-tapping screw on each side (key 3). **(Image 1)**
- Hook a top plate (key 4) over the top edge of the pool wall (key 5). Place the top plate down over the top of the upright with the tabs on the outside of the column. Make sure the upright is straight up and down.
- Line up the screw holes and fasten with one self-tapping screw on each side and one on the front (key 6).
- Repeat the last four steps for each of the upright around the pool wall.



⚠ Important Note:
Use the ridges in the pool wall to make sure the upright column is straight up and down.

⚠ Important Note:
Ensure to leave a gap between the two bottom rails.

See Diagram:
Please refer to your pool's footprint (Section 1, last page) for gap measurement.

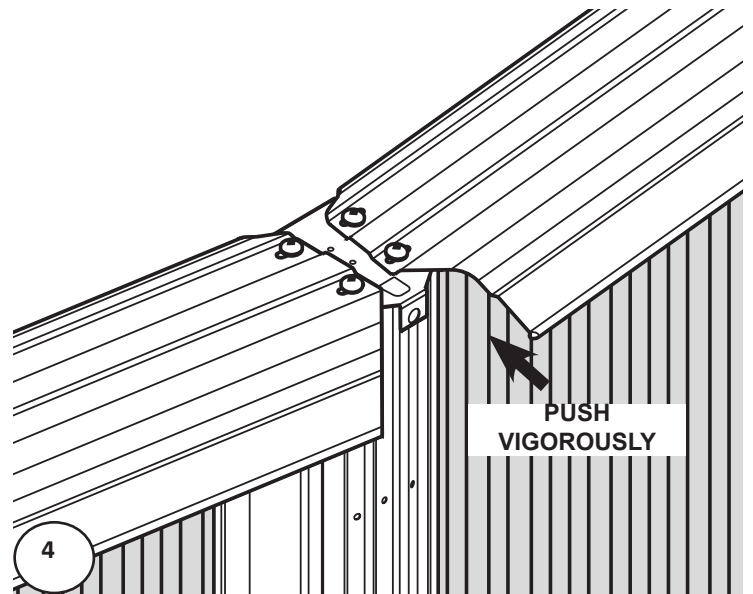
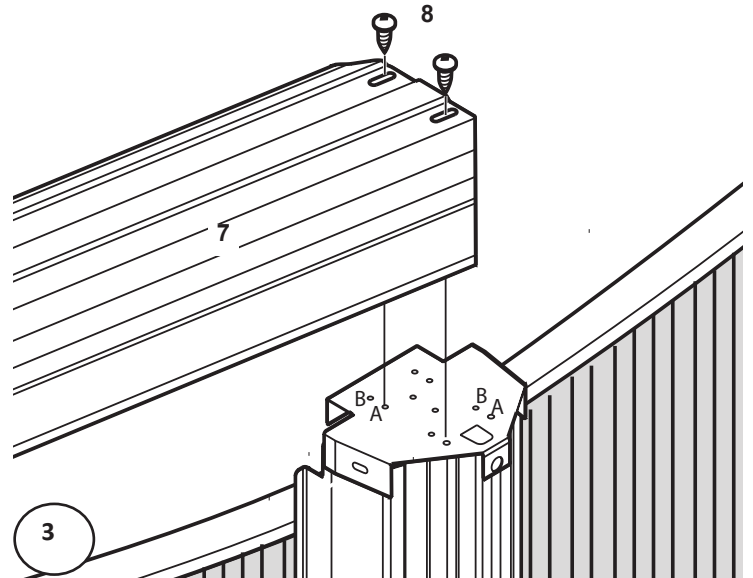
Section 4

GENERAL INSTRUCTIONS - OVAL POOLS ASSEMBLING THE POOL FRAME

C. INSTALLATION OF THE TOP LEDGES

1. Install the top ledges - ROUND SECTION

- Place a top ledge (key 7) with one end on top of the top plate. The side of the top ledge facing the centre of the pool should be close to the pool liner and pool wall. The side of the top ledge facing the outside of the pool will form a large overhang. **(Image 3)**
- Line up the holes as shown. Fasten through the two oval holes into the holes marked 'A' in the top plate below with two self-tapping screws (key 8-Image 3). Do not tighten the screws yet. Leave the screws slightly loose until all the top ledges are in place.
- Repeat the last two steps for the other end of the top ledge.
- Repeat steps (a) to (c) to install the rest of the top ledges around the top of the pool wall.
- Make the pool settle into a perfect circle by pushing the top of the pool wall vigorously inward at each upright (this will help make the bottom of the pool wall shift into a perfect circle). **(Image 4)**
- Adjust all the top ledges to line up evenly with each other and tighten all the screws.



Important Note:

Make sure to refer to your parts listing for the measurements of the top ledges. This will help you to determine which top ledge to use for each pool section.

GENERAL INSTRUCTIONS - OVAL POOLS ASSEMBLING THE POOL FRAME

C. CONT. INSTALLING THE TOP LEDGES

4. Install the Top Ledges-STRAIGHT SECTION

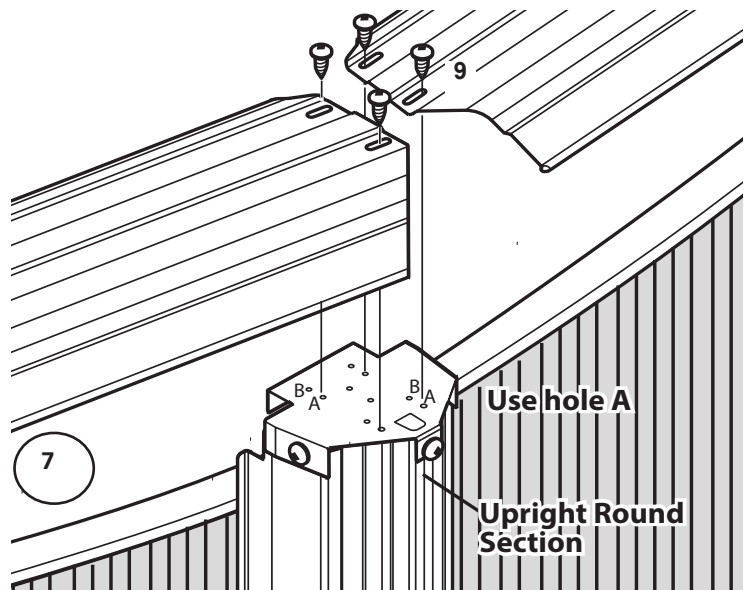
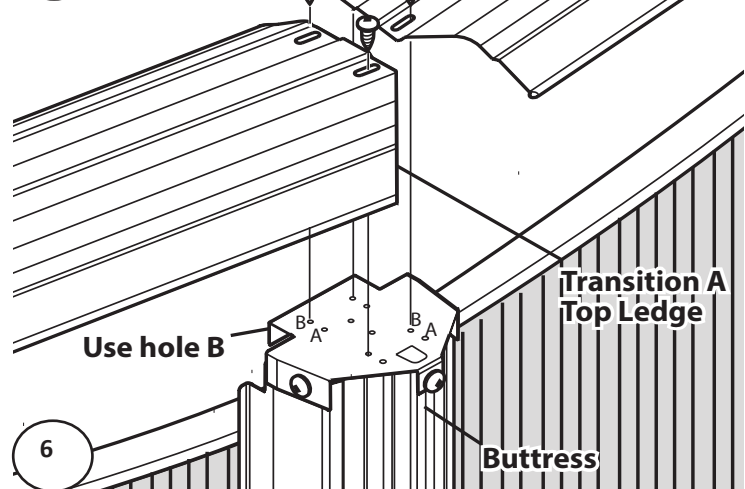
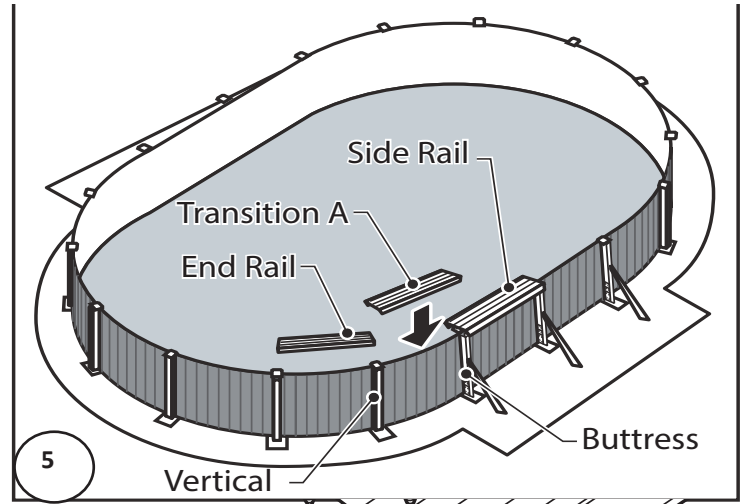
NOTE: you must use any additional components that come with your pool and are required for proper assembly as described in this Section 4.

- a. **Important:** Make sure to refer to your parts listing for the measurements of the top ledges. This will help you to determine which top ledge to use for each pool section. Install all the side ledges (straight section) between the buttresses. Use hole 'A' and line up all of the holes as shown in **Image 6**. Fasten through the two oval holes to the top plate below with two self-tapping screws (key 9). Do not tighten any of the screws yet. Leave the screws slightly loose until all the top ledges are in place. Make sure the uprights are aligned straight up and down (Note: the 12' x 18' pool does not have side ledges).
- b. Install the remaining top ledges in the straight section .

5. Install the Top Ledges-Transition Section

- a. **Important:** Make sure to refer to your parts listing for the measurements of the top ledges. This will help you to determine which top ledge to use for each pool section. A top ledge that is over a buttress will fasten into the hole marked 'B' in the top plate, as shown in Image 6. For the rest of the end ledges (round section), use hole 'A' and line up all of the holes as shown in Image 7. Fasten through the two oval holes to the top plate below with two screws (key 9).

Do not tighten any of the screws yet. Leave the screws slightly loose until all the top ledges are in place.



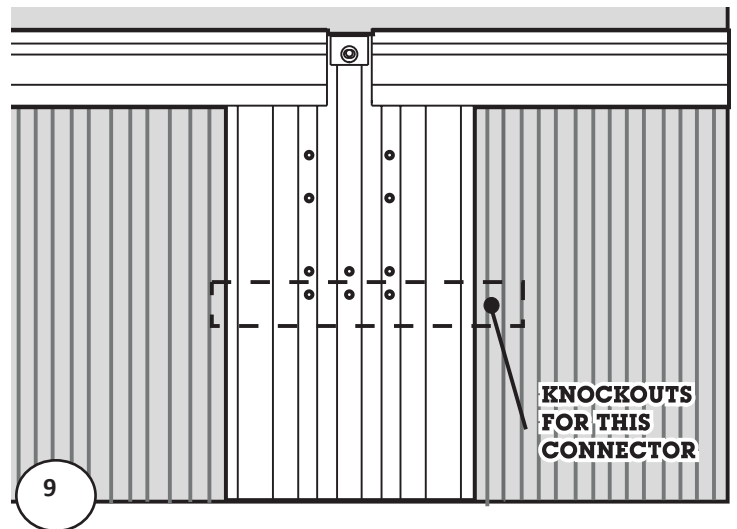
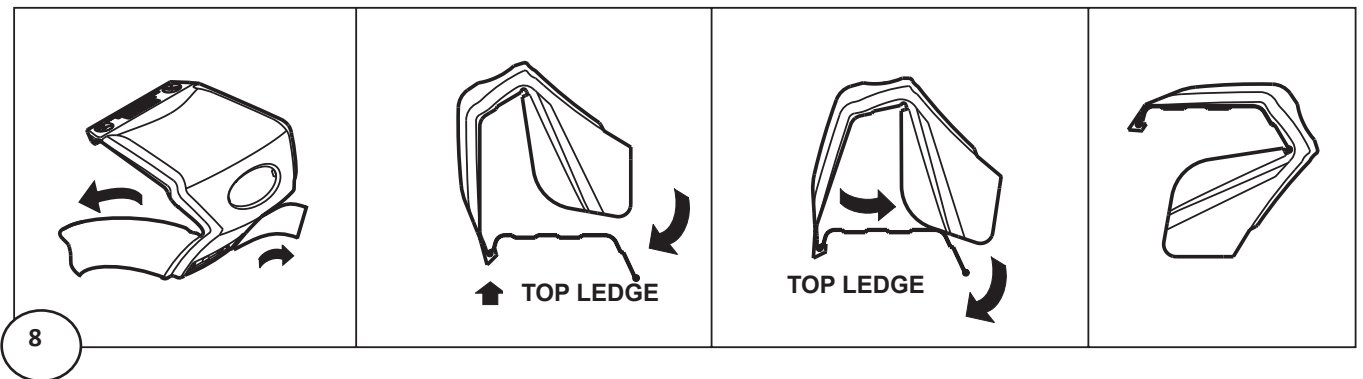
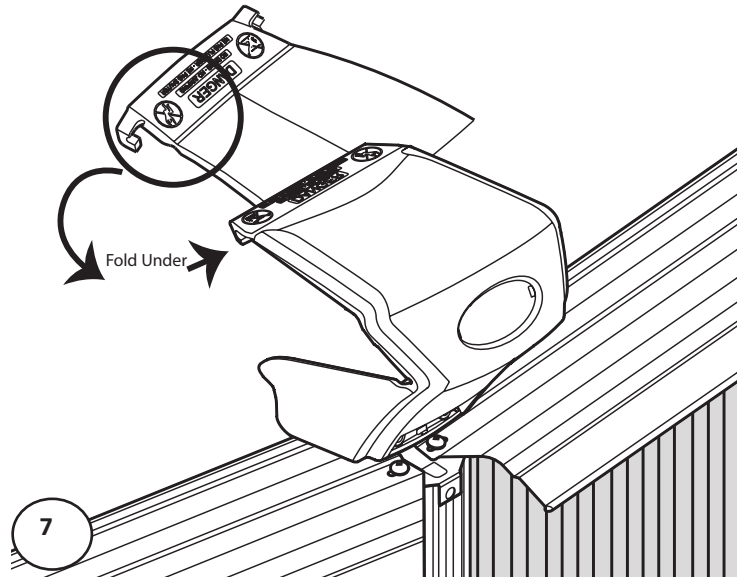
Section
4

GENERAL INSTRUCTIONS - OVAL POOLS
ASSEMBLING THE POOL FRAME

D. INSTALLATION OF THE LEDGE COVERS

1. Install the Ledge Covers-ROUND SECTION

- a. Line up the ledge cover above the ends of two top ledges. Fold under and hook the small tabs protruding from the underside of the ledge cover onto the inside edges of the top ledges and hold them firmly in place. **(Image 7)**
- b. Pull the other end of the ledge cover down into place under the top ledges by gently stretching it across and down. **(Image 8)**
- c. Prior to installing the ledge cover, knock out the holes shown in **Image 9**.

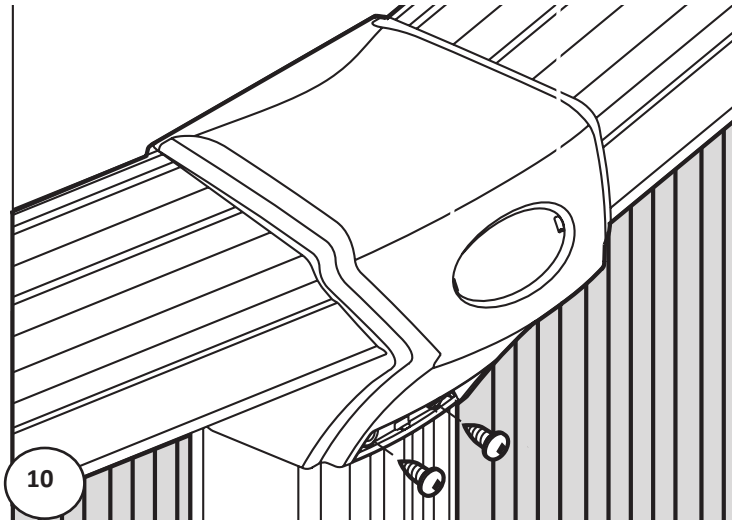


Section
4

GENERAL INSTRUCTIONS - OVAL POOLS
ASSEMBLING THE POOL FRAME

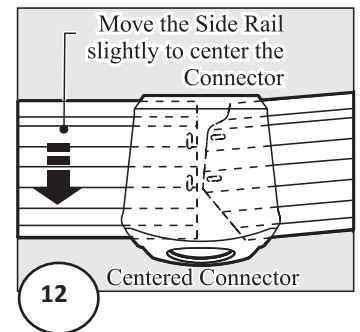
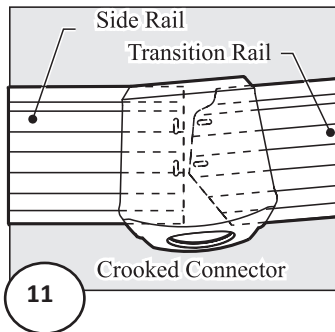
D. CONT. INSTALLATION OF THE LEDGE COVERS

- d. Push the lower part of the connector in towards the vertical column and line up the two screw holes in the lower portion of the connector with the two holes in the vertical column. Fasten the connector in place with two self-tapping screws (**Image 10**). **Important:** Tighten the screws only until a snug fit is obtained. Do not over-tighten.



TRANSITION SECTION

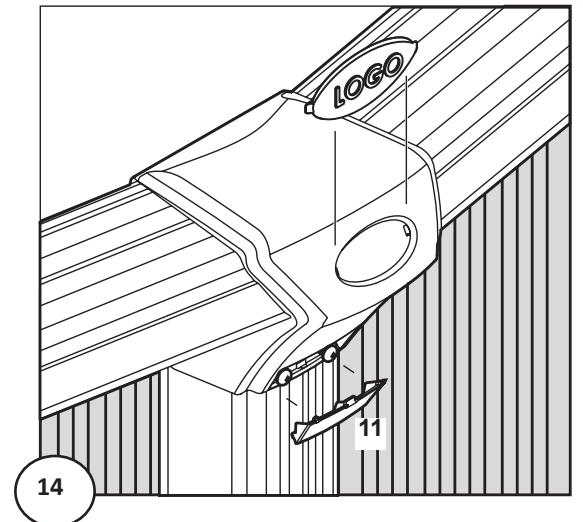
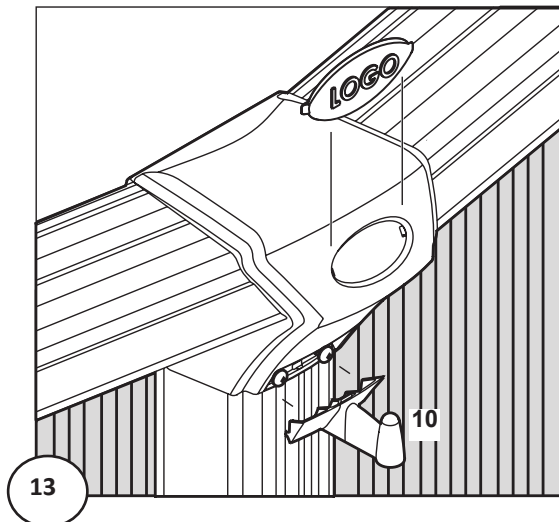
- e. At the transition points only, where the end top ledge meets the side top ledge, make sure the side top ledge lines up properly with the end top ledge. If it doesn't line up, the ledge cover will appear crooked from above (**Image 11**). If the ledge cover isn't centered between the ledges, temporarily remove the ledge cover and loosen the screws on the top ledge. Shift the top ledge in or out from the center of the pool until the ledge cover can be properly centered between the top ledges. (**see Image 12**)



- f. Install either a Hook* (**Key 10-Image 13**) or a clip (**Key 11-Image 14**). Insert the large center tab & two smaller tabs located at the top of each into the openings located at the top of the clip housing in the connector. Rotate the bottom of the clip/hook into the housing and press firmly at the bottom of the clip or hook until a snap is heard. Slightly loosen the screws if the clip/hook does not snap in.

*Note: your pool may not contain a Hook

- g. Install the Logo and repeat the last six steps for the rest of the ledge covers.



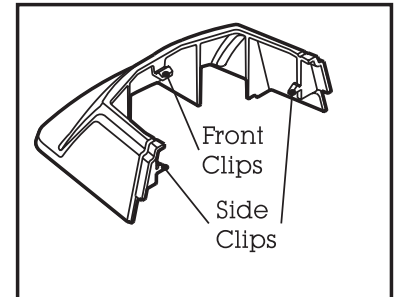
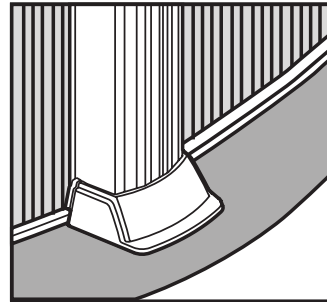
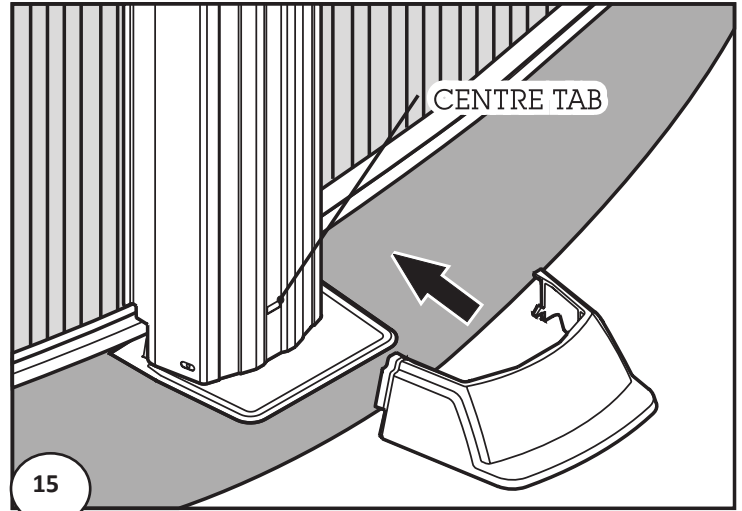
Section 4

GENERAL INSTRUCTIONS - OVAL POOLS ASSEMBLING THE POOL FRAME

E. INSTALL THE FOOT COVER (OPTIONAL)

1. Install the foot cover-ROUND SECTION

- a. If your pool has been supplied with footcovers, the centre tab on the upright will need to be knocked out prior to installation.
- b. Place the foot cover on top of the base plate (**Image 15**). Slide the foot cover towards the pool wall until the side clips and front clip snap into the upright. **Important:** Ensure that the side clips snap into the cutouts for the bottom rails.
- c. Repeat the last step for each of the uprights around the pool wall.



Important Note:
The pool wall may bulge and shift a little while filling with water. This is normal.

Important Note:
For the footcover installation on the upright over the buttress, it may be necessary to modify the front clip of the footcover. If the buttress upright behind the vertical blocks the front clip from being inserted, file it down until insertion is possible.

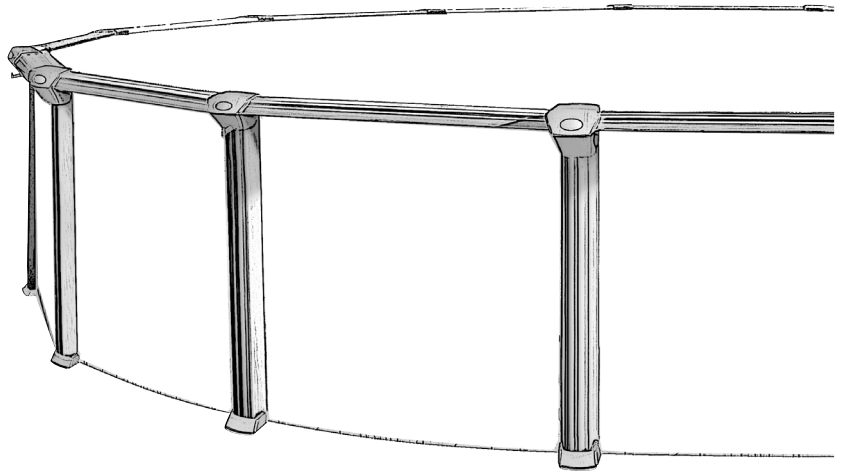
**Section
4**

**GENERAL INSTRUCTIONS - OVAL POOLS
ASSEMBLING THE POOL FRAME**

F. FILL YOUR POOL WITH WATER

1. Finish filling the pool

- a. Fill the pool with water to 2" (5cm) below the lowest opening. Make sure you remove any creases from the liner in the bottom of the pool before the water level gets too high.
- b. While the pool is filling, remove the nails that were holding the bottom rails in place.
- c. Your pool is now installed. You must now install the filter and pump, the skimmer and water return inlet. Please follow the installation instructions that come with these products.



IMPORTANT:

Make sure that your pool is round, do not assume that by filling up the pool that this will help the pool to place itself into a perfect round circle. Ensure that it is round before filling up the pool with water.

IMPORTANT SAFETY INFORMATION:

Please refer to the safety page at the beginning of this instruction manual. You must follow the rules and information regarding placement of safety stickers on your pool.

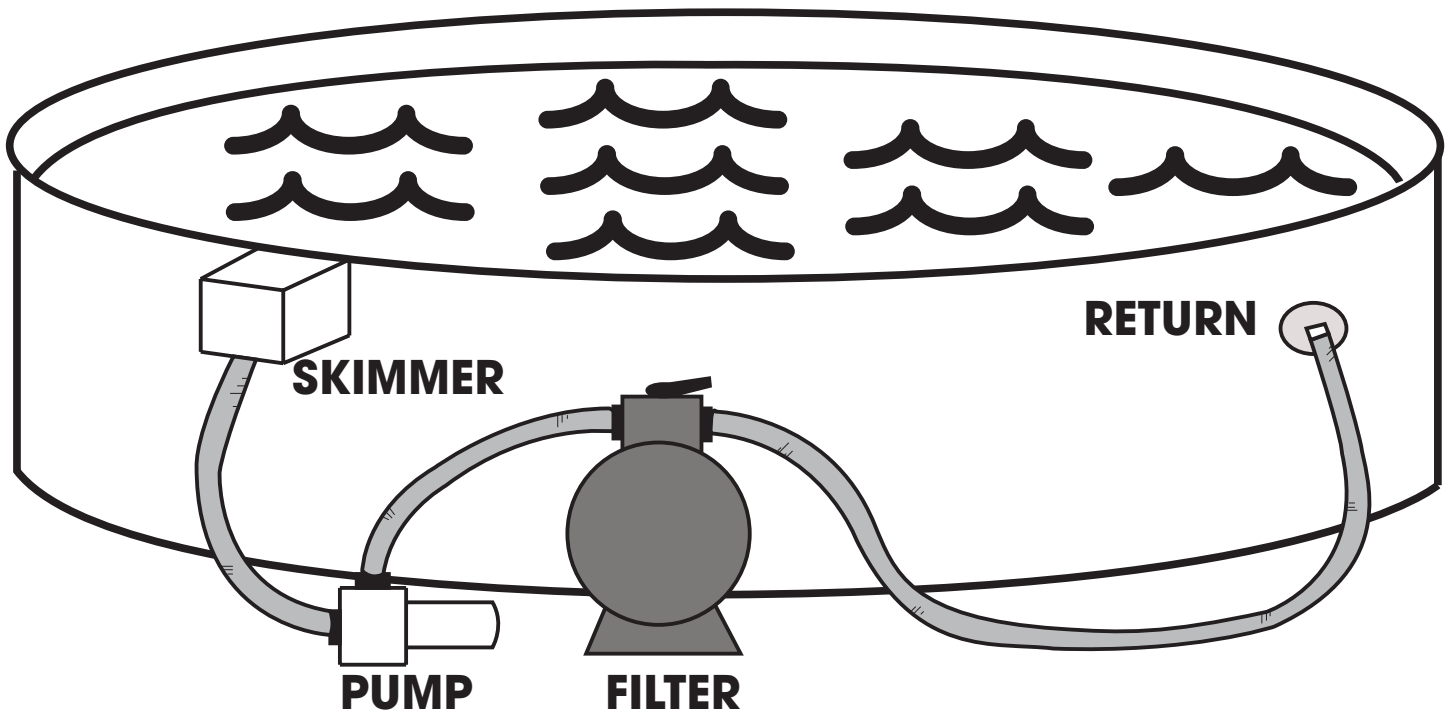
**Section
4**

**GENERAL INSTRUCTIONS - OVAL POOLS
ASSEMBLING THE POOL FRAME**

G. BASIC FLOW OF SYSTEM

1. How the system flow should look like

- a. When assembled your pool should have a basic flow system as in this image, **PLEASE CONTACT YOUR DEALER** for more specific instructions.



**Section
5**

POOL MAINTENANCE

POOL MAINTENANCE

Keep your pool wall and frame clean. Always wash away any deposits of pool chemicals which land on the frame of your pool. Wash periodically with a mild soap solution (no abrasives). At least once a year use a clear non-yellowing household wax on all metal components.

Your pool and liner must be inspected regularly for leaks, corrosion, scratches, and punctures. If any problem is found **IMMEDIATE CORRECTIVE ACTION MUST BE TAKEN**. Small repairs and punctures in your liner may be easily repaired using repair kits available at your local dealer. Scratches on your pool wall & frame must be touched up with anti-rust enamel. Wire brush all rust and add a coat of enamel primer followed by a coat of color matching paint. Pool water is full of various caustic chemicals, which will corrode metal parts. If any corrosion is allowed to continue, failure of the pool structure may occur which could result in excessive property damage as well as bodily harm.

The skimmer & return area and below it are particular areas that must be carefully and regularly inspected. If this area is wet, and remains wet for any length of time, it usually means there is a small leak. Skimmer/skimmer return gaskets must be replaced when they become defective. Water must not be permitted to continually run down the wall, if neglected pool will break. If proper skimmer/skimmer return gasket care is not maintained, your warranty will be void!



Important Note:

Be sure to follow all local and state safety regulations when installing any accessory to your pool. Any decks, and all entries, must be carefully monitored for safety and access to pool. Installing any other manufacturer's deck or slide is strictly forbidden!

WINTERIZING YOUR POOL

Along with the cool nights of autumn comes the end of the swimming season. During the winter your pool is subject to more stress than in the summer, and any breakage that is caused by incorrect winter procedures is not subject to any warranty with this company.

All of our pools are designed to be left up all winter, but nonetheless are subject to the warranty that was purchased. Continue to chlorinate and filter until the pool is closed down. If you follow our recommendations, you will be able to winterize your pool properly in a few hours.

Properly winterizing your pool will protect it from damage and make it easier for you to reopen it when spring arrives.

The key to fast and easy winterization lies in regular treatment of the water until the start of the cold season, even if you haven't been using the pool.

Routine maintenance becomes easier and less frequent as the water gets cooler. In order to keep the water clean and clear and to prevent the liner from staining, we recommend closing your pool as late as possible, i.e. toward the end of September when the water temperature is about 10°C (50°F).

Waiting until you have finished closing the pool before shutting off the filtration system will prevent hoses still connected from freezing.

Follow the instructions on the following pages or contact your retailer for further information to ensure that you are protecting your pool properly.



CLOSING YOUR ABOVE GROUND POOL FOR THE WINTER

At the end of the season, you must follow these directions to make your pool ready for the winter. For areas where water freezes make sure to follow these instructions before the water is frozen, otherwise do not touch the frozen water, this may damage the pool.

STEP 1) PRIOR TO CLOSING

- a. Several days prior to closing your pool, test the water for the ph level, total alkalinity, and chloring. The water balance is important to protect the pool from corrosion or scale build-up during winter shut down.

STEP 2) PERFORM A COMPLETE INSPECTION

FINDING LEAKS

- a. Towards the end of the summer season or around mid-August, check for leaks by verifying if the pool's water level is stable. Draw a line on the liner marking the water level and wait 10 days. If after 10 days the level has dropped, then there is a leak. It is important to seal off any leaks you find. Leaks left unsealed when freezing begins can seriously damage your pool and even cause it to collapse.
- b. Vacuum carefully to remove all leaves and debris.

CHECK THE LINER

- a. Make sure the top of the liner is still attached to the pool wall. make sure there are no leaks. Repair any liner holes with a vinyl patch: any small punctures in the liner can be easily repaired with underwater repair kits available at your local retailer. Do not remove the liner from the pool, as removal of the liner will void the existing warranty.

CHECK ALL JOINTS AND SCREWS

- a. Make sure all the fram joints are fitting together properly and make sure the pool wall has not shifted from the bottom rail. Ensure all screws and bolts are tight.

CHECK FOR RUST

- a. Periodically inspect the metal parts for any corrosion especially around the skimmer area. If corrosion is found, immediate corrective action must be taken. Wire brush any rust and add a coat of enamel primer followed by a coat of color matching anti-rust enamel paint. Pool structure failure could result in major property damage and bodily harm. Paint any scratches with anti-rust paint.

CLOSING YOUR ABOVE GROUND POOL FOR THE WINTER CONTINUED

STEP 3) ADD CLOSING CHEMICALS

- a. To maintain water quality, use a winter kit which contains an algicide and chlorine especially designed for this purpose. When it's time for spring cleaning, this will save you hours of work and reduce the cost of chemicals needed to restore your water quality.
- b. If your pool has a bottom drain, you will have to use pool antifreeze to prevent it from freezing during the winter. Unscrew the hose from the base of the skimmer and attach an extension. Pass the extension over the wall of the pool, making sure it remains well attached. Pour antifreeze into the extension. Leave the valve open so that water can drain from the skimmer.

STEP 4) LOWER THE WATER LEVEL

- a. Lower the water level so as to leave between 6 to 20 inches (15cm to 50cm) below the water return. You may plug the return jet hole at this time. ****IMPORTANT**DO NOT PLUG THE SKIMMER DRAIN HOLE** (located at the base of the skimmer). Remove all hoses attached to the skimmer and return fittings. Do not let water freeze in the skimmer. Leave the skimmer attached to the pool wall and ensure that the skimmer lid is installed. **DO NOT DRAIN ALL THE WATER OUT OF THE POOL.**
- b. Depending on your area and if the freezing point is more aggressive, for example 50% is frozen into ice, we strongly suggest to lowering the water to lowest point. Depending on how great the deep freeze in your area **we suggest you consult with your local dealer about procedures on lowering the water level throughout the winter.** We also suggest throughout the autumn season to continually check this level before freezing season starts, as it must not reach the skimmer holes at any time during the winter. Remove any snow which may accumulate on the top ledge.

STEP 5) FILTER PREPARATION

- a. Disconnect the hoses from the filter. Remove and store the filter, ladder and all other removable parts from around the pool. The filter should be clear of any foreign objects and water should be removed from the filter and pump. See the manufacturer's instructions. Store the pump in a temperature controlled environment (so that it is not damaged by changes in temperature).

STEP 6) WINTER COVER

- a. For the winter cover we suggest to lower the water level to 1 inch (2.5cm) below the water return. In some areas your dealer may ask you to install it differently in order to protect the pool and the cover. Contact your local dealer to verify the correct procedure for your pool.
- b. If using a winter cover, make sure to place a ball underneath so that rainwater falls into the pool. An accumulation of too much water on the cover could place pressure on the pool, causing damage and invalidating the guarantee. Depending on how great the deep freeze in your area we suggest you consult with your local dealer about procedures on leaving the pool cover throughout the winter.

CLOSING YOUR ABOVE GROUND POOL FOR THE WINTER CONTINUED



IMPORTANT

Never let more than 30 cm (1') of snow accumulate on the pool wall; the wall is designed to support the lateral pressure of the pool water, not vertical pressure. With spring thaw, if water leaks from the skimmer or return outlet opening, place a tube at the opening so that the water will run off as far away from the basin of the pool as possible. PLEASE NOTE: Do not strike or hit a frozen pool. This would damage it. Do not disturb the pool till spring. If you have left the winter cover on the pool, make sure to remove accumulated snow after heavy snowfalls.



Important Note:

Whatever the type of valve or extension hose used, you must follow the technique described in this document to close your pool, otherwise your guarantee may be cancelled. Make sure to use antifreeze designed for pools.



Important Note:

An unsealed leak may comprise or cancel the guarantee on your pool.
Never leave water in any of the filtration system components due to the risk of damage during freezing.

PREPARING YOUR POOL IN THE SPRING


At the end of winter, allow the ice in the pool to thaw completely. When the temperature reaches approximately 10 °C (50 °F), you have to restart your filtration system, since algae and bacterial form more quickly as it gets warmer. Here is how to prepare your pool in a few simple easy steps.

- a. If your pool is equipped with a pool cover, remove the cover and cushion. Carefully remove with a hose any rainwater that has accumulated on the cover so it does not fall into your pool. Clean your cover and cushion and let them dry. Store them in a dry clean place.

- b. Attach the return inlet and skimmer to the filter. Bring the water level up to the middle of the skimmer. Get your filter working. Clean the bottom of the pool with the vacuum, taking care to place the filter in the “waste/drain” position. In this way you will eliminate particles of dirt without disturbing the sand in the filter, and will considerably reduce the need for “backwash rinsing” of the filter.

- c. Now that you have purified the water, you have to test it. It is very important that the pH level of your pool be between 7.6 and 7.8 and the pool’s alkaline content be between 80 ppm and 130 ppm. If you are unable to attain these levels, please contact your retailer who will gladly do these tests for you.



 **Important Note:**
Do not drain your pool to clean the water unless absolutely necessary (the water is recyclable). If you do empty your pool, don't leave it empty for too long or expose it to direct sunlight, as the liner may shrink.

PREPARING YOUR POOL IN THE SPRING CONTINUED

- d. When the pH and alkaline levels are ideal, apply a shock-treatment or chlorinate your water. Let it filter for 24 hours and again verify both the pH and free chlorine levels.
NOTE: Add chemical products to your pool after sunset, as sunlight rapidly destroys chlorine.

- e. Let it filter for several days until the water is clear and the pH and free chlorine levels have stabilized. Add a conditioner/stabilizer by carefully following the manufacturer's instructions. This will stop the chlorine from evaporating quickly in sunlight. Add the quantity of algicide required to prevent algae.

- f. You may now begin regular maintenance of your pool. Don't forget to obtain a new set of solutions for your water analysis kit every spring. The old solutions may give false results.

- g. Make sure that the skimmer (screws and adapter) is properly in place and tighten the water return fittings to prevent leakage and premature rusting of the pool wall or the lower part of the bottom rail.

HAVE FUN!



IF YOU FOLLOW THESE TIPS AND ASK YOUR DEALER FOR ANY OTHER ADVICE YOU MAY NEED, YOU WILL HAVE ALL THE INFORMATION NECESSARY TO GET YOUR POOL OPERATING AGAIN.