



# Pool+ Solar Water Heater Owner's Manual

---

For support please visit us at:  
[www.bestwaycorp.com/support](http://www.bestwaycorp.com/support)

**©2018 Bestway Inflatables & Material Corp.**

All rights reserved/Tous droits réservés / Todos los derechos reservados / Alle Rechte vorbehalten / Tutti i diritti riservati

®™ Trademarks used in some countries under license to/Marques ®™ utilisées dans certains pays sous la licence de /

Marcas comerciales ®™ utilizadas en algunos países bajo la licencia de / ®™ Die Warenzeichen werden in einigen Ländern verwendet unter Lizenz der /

®™ Marchi utilizzati in alcuni paesi concessi in licenza a

**Bestway Inflatables & Material Corp., No.3065 Cao An Road, Shanghai, 201812, China.**

Manufactured,distributed and represented in the European Union by/Fabriqués, distribués et représentés dans l'Union Européenne par/

Fabricado, distribuido y representado en la Unión Europea por/Hergestellt, vertrieben und in der Europäischen Union vertreten von /

Prodotto, distribuito e rappresentato nell'Unione Europea da

**Bestway (Europe) S.r.l., Via Resistenza, 5, 20098 San Giuliano Milanese (Milano), Italy**

Distributed in North America by/Distribués en Amérique du Nord par/Distribuido en Norteamérica por

**Bestway (USA) Inc., 3411 E. Harbour Drive, Phoenix, Arizona 85034, United States of America**

Tel:1-855-838-3888 (For U.S. and Canada)

Distributed in Latin America by/Distribués en Amérique latine par/Distribuido en Latinoamérica por/Distribuido na América Latina por

**Bestway Central & South America Ltda, Salar Ascotan 1282, Parque Enea, Pudahuel, Santiago, Chile**

Distributed in Australia & New Zealand by **Bestway Australia Pty Ltd, 98-104 Carnarvon Street, Silverwater, NSW 2128, Australia**

**[www.bestwaycorp.com](http://www.bestwaycorp.com)**

Made in China / Fabriqué en Chine / Fabricado en China / Hergestellt in China / Prodotto in Cina

# WARNING

## READ AND FOLLOW ALL INSTRUCTIONS

**WARNING-** TO REDUCE THE RISK OF INJURY, do not permit children to use this product unless they are closely supervised at all times.

**CAUTION-** This product is for use with storable pools only. Do not use with permanently-installed pools. A storable pool is constructed so that it is capable of being readily disassembled for storage and reassembled to its original integrity. A permanently-installed pool is constructed in or on the ground or in a building such that it cannot be readily disassembled for storage.

**CAUTION-** Do not touch the panel surface when the product is working or you may get hurt.

**NOTE:** Do not sit, stand or jump on this product.

**NOTE:** Weather conditions can affect the performance and life span of your solar water heater.

**NOTE:** This product must be set up on a flat and clean location; the ground must be cleared of all objects and debris including stones and twigs.

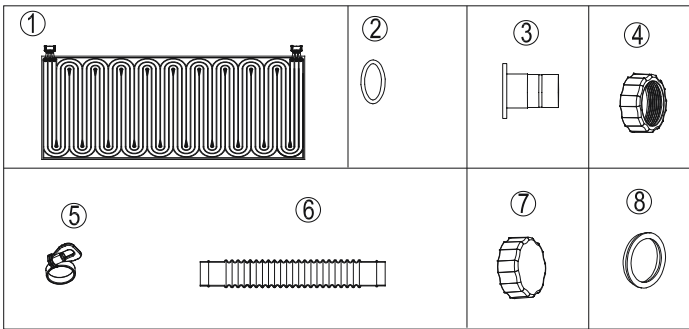
**NOTE:** Grass or other vegetation under the product will die and may cause odors and slime to develop, therefore we recommend removing all grass from the selected location. Avoid locating the item over or beside areas prone to aggressive plant and weed species as they may damage the item when they grow.

**NOTE:** This product must be placed in direct sun light to ensure proper performance.

**NOTE:** Drawings for illustration purpose only. May not reflect actual product. Not to scale.

## SPECIFICATIONS

Surface(m <sup>2</sup> )	2.84
Length(m)	2.37
Width(m)	1.2
Max Pressure(Psi)	10
Material	PVC
Channel System	S-channel
Installation	On Lawn/On Flat
Characteristic	50-100% of the swimming pool surface (increase swimming pool water temperatures by approximately 3-5°C (5-9°F) Depending on the weather condition

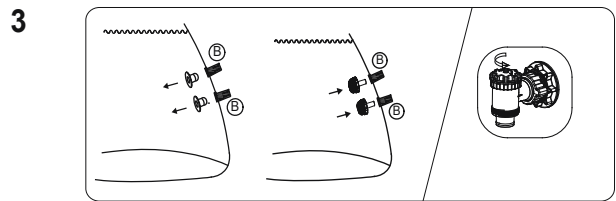
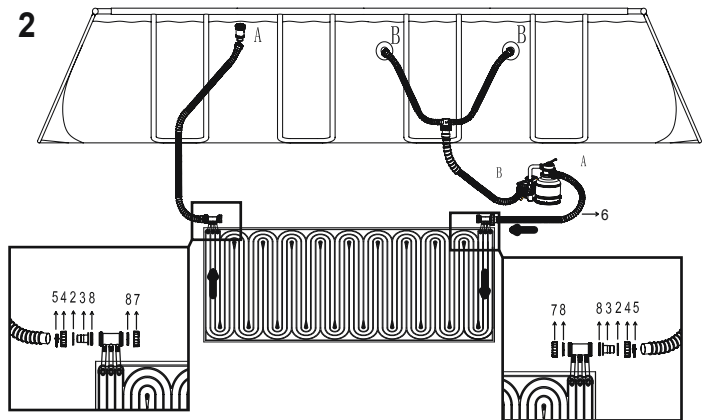
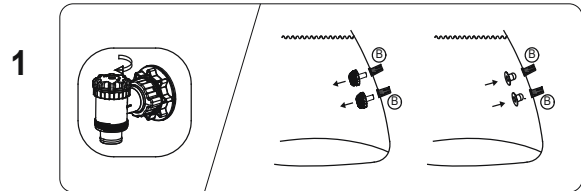


Ref.No.	Description	QTY	Spare Part No.
1	Heat Panel	1	
2	O-Ring(Φ24mm)	2	P6005
3	Hose Adapter	2	P6618
4	Adapter Nut	2	P6615
5	Hose Clamps	2	P6124
6	Hose(Φ32x1000mm)	1	P6176
7	Adapter Cap	2	P6540
8	O-Ring(Φ56mm)	4	P6029

To order spare parts for the Pool Solar Water Heater, please provide us with part no. and part name.

## ASSEMBLY INSTRUCTIONS

1. Unplug the sand filter. Loosen the hose clamps on the pool's inlet and outlet valves, replace the debris screens with stopper plugs (or close the connection valves) to stop water to flow.
2. Follow the below diagram instruction to assemble all the parts properly;  
**NOTE:** Refer to the sand filter's owner's manual for assembly.
3. Loosen the hose clamps on the pool's inlet and outlet valves; replace the stopper plugs with debris screens (or open the connection valves of the pool) to allow water to flow.
4. Tighten the hose clamps, ensure no water is leaking and every connection is securely fastened.



## MAINTENANCE

**CAUTION: YOU MUST ENSURE SAND FILTER IS UNPLUGGED BEFORE ANY MAINTENANCE BEGINS OR SEVERE RISK OF INJURY OR DEATH EXISTS.**

- 1) Unplug the sand filter.
- 2) Loosen all the hose clamps.
- 3) Remove debris screens from inside of pool. Replace the debris screens with the stopper plugs in the pool's inlet and outlet valves. (Or close the connection valves A.)
- 4) Clean the panels with a garden hose carefully.

## STORAGE

- 1) Unplug the filter pump or sand filter.
- 2) Follow the instructions as previously outline to stop water flowing to the filter pump or sand filter.
- 3) Detach all hoses.
- 4) Dry all components thoroughly.
- 5) Roll all the panels.
- 6) Store the product in a dry warm location out of child's reach.