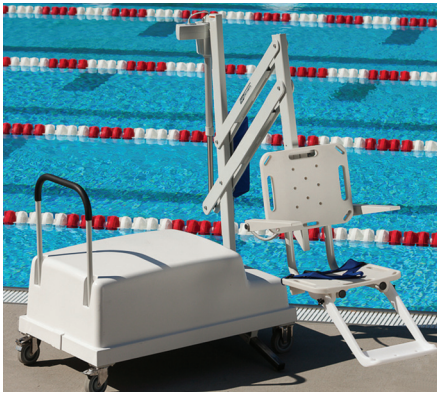


# PAL2



The fixed portable PAL2 pool lift features a sleek, modern design and attractive matte finish. It comes standard with our Secure-It Kit which allows the lift to be fixed to the deck.

- Third-party tested and verified ADA compliant
- 300 lb/136 kg lifting capacity
- Easy to move by one person
- LiftOperator® Intelligent Controller conveniently located on the mast – includes 24 Volt rechargeable batter
- 240° rotation helps ensure safe transfer
- Powder-coated stainless steel and aluminum construction



\* LiftOperator is easily secured to the mast using the star wrenches provided in the accessory kit. Refer to the owner's manual at [www.srsmith.com](http://www.srsmith.com) for more details.

## Lift Color



GRAY MIST

Due to printing technology actual color may differ.

## Secure-It Kit



200-1090A

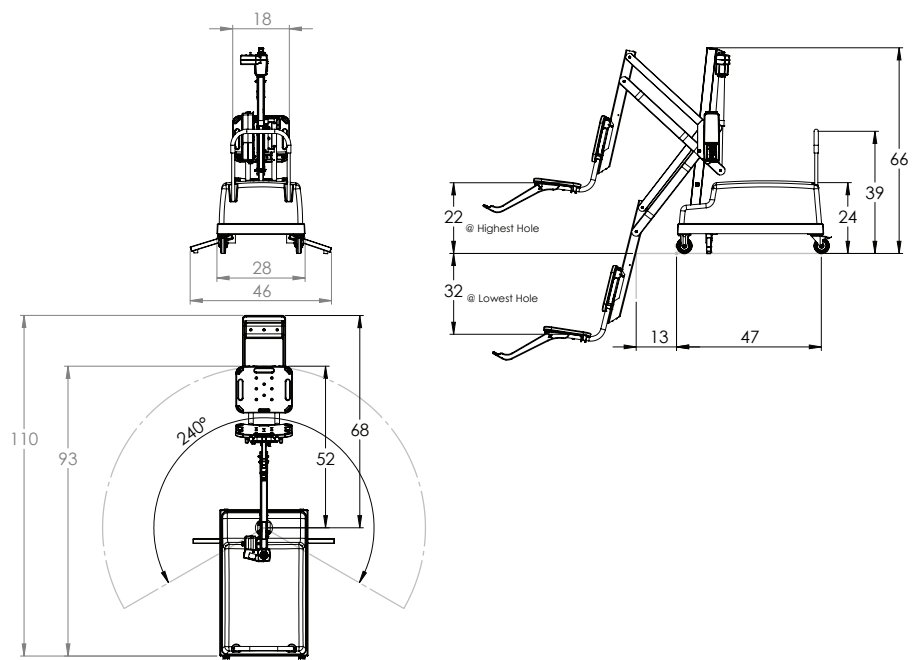
Model No.	Description	Shipping – (Class 85)			
		Weight	Length	Width	Height
202-0000	PAL2	1200 lbs	40"	49.5"	57"
202-0000K	PAL2 Activation Key	1200 lbs	40"	49.5"	57"
202-0005	PAL2 with armrests (California Compliant)	1205 lbs	40"	49.5"	57"
202-0005K	PAL2 with armrests, Activation Key (California Compliant)	1205 lbs	40"	49.5"	57"

### Notes:

- Includes battery, charger, battery console cover, water-resistant hand control, footrest, seatbelt assembly, and Secure-It Kit

### Parts & Accessories:

- 170-2320 Arm Rest Assembly
- 500-1000 Spineboard Attachment
- 920-5000 PAL Series Cover
- 1001495 Battery
- 900-2000 Stability Vest
- 900-4000 Seat Pad
- 200-1090A PAL Secure-It Kit
- 970-0000 Seat Saver Cover



A completed Deck Profile form is required with your pool lift order.

