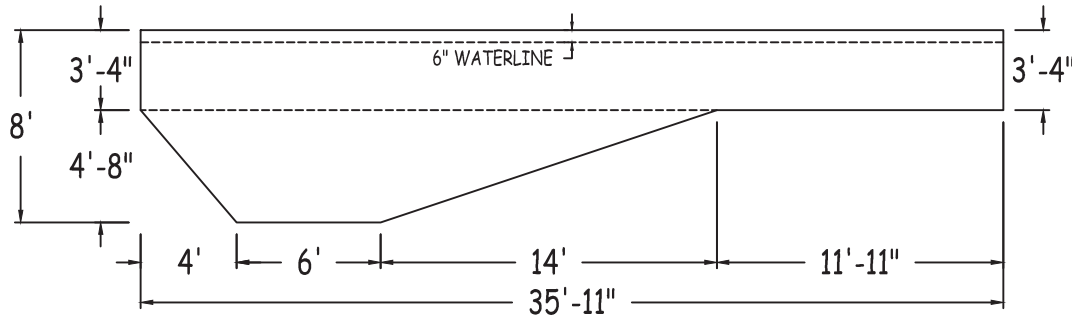
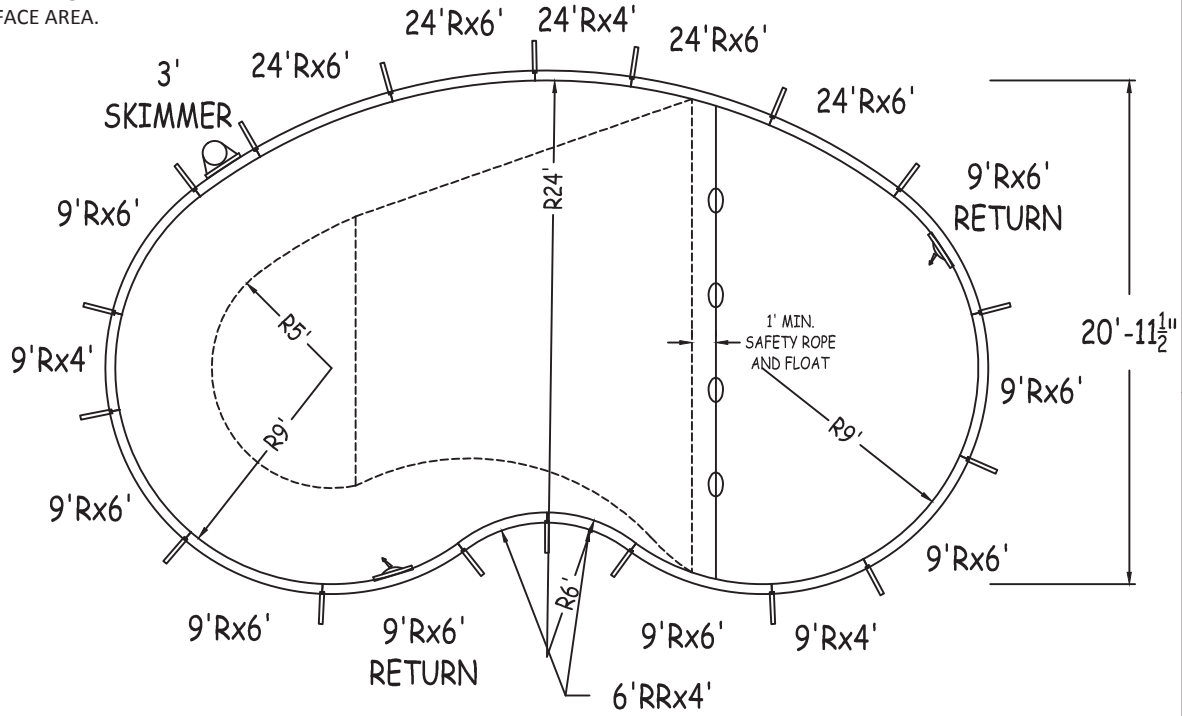
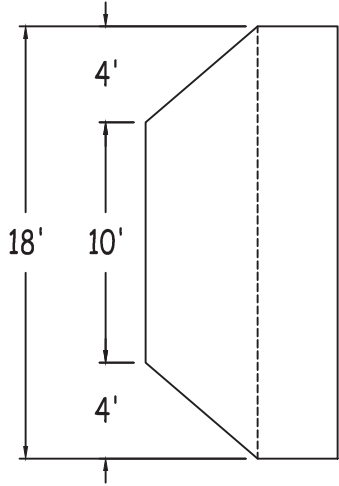


IN ACCORDANCE WITH ANSI/APSP/ICC-5 2011, THE INSTALLER IS RESPONSIBLE FOR PLACING ONE SKIMMER FOR EVERY 800 SQUARE FEET OF SURFACE AREA AND ONE RETURN FOR EVERY 300 SQUARE FEET OF SURFACE AREA.



LATHAM STEEL

CRESCENT 18-0 x 21-0 x 35-11 LEFT

42" STEEL PANELS

PERIMETER: 95'-0" VOLUME (US Gal): 19700

DWG#: LSCR00S1836L15

SURFACE (ft²): 600 VOLUME (Liters): 74600

KIT#: CR00S1836

LINER (ft²): 647 DATE: 1/1/2015 DSR: 127

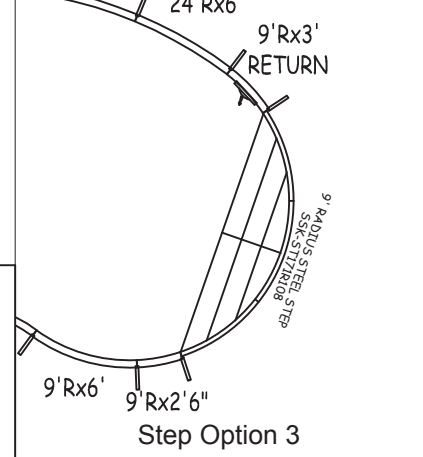
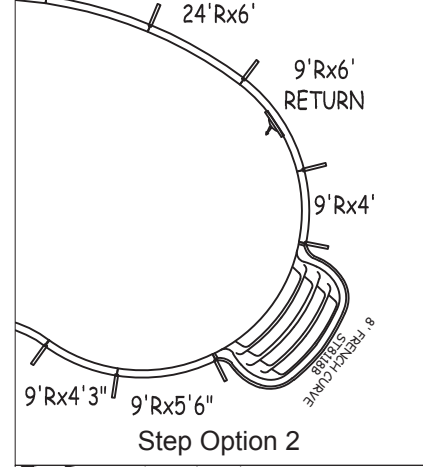
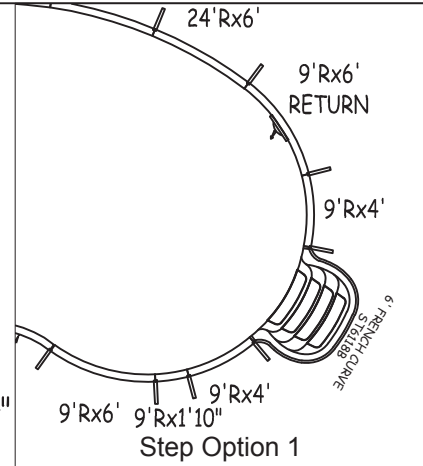
COVER (ft²): 934

SCALE: 1/8" = 1'-0"



DIVING/SLIDING EQUIPMENT SHALL BE DESIGNED FOR SWIMMING POOLS AND SHALL BE INSTALLED IN ACCORDANCE WITH THE DIVING/SLIDING EQUIPMENT MANUFACTURER'S SPECIFICATIONS. PLEASE CONTACT THE DIVING/SLIDING EQUIPMENT MANUFACTURER FOR THEIR SPECIFICATIONS.

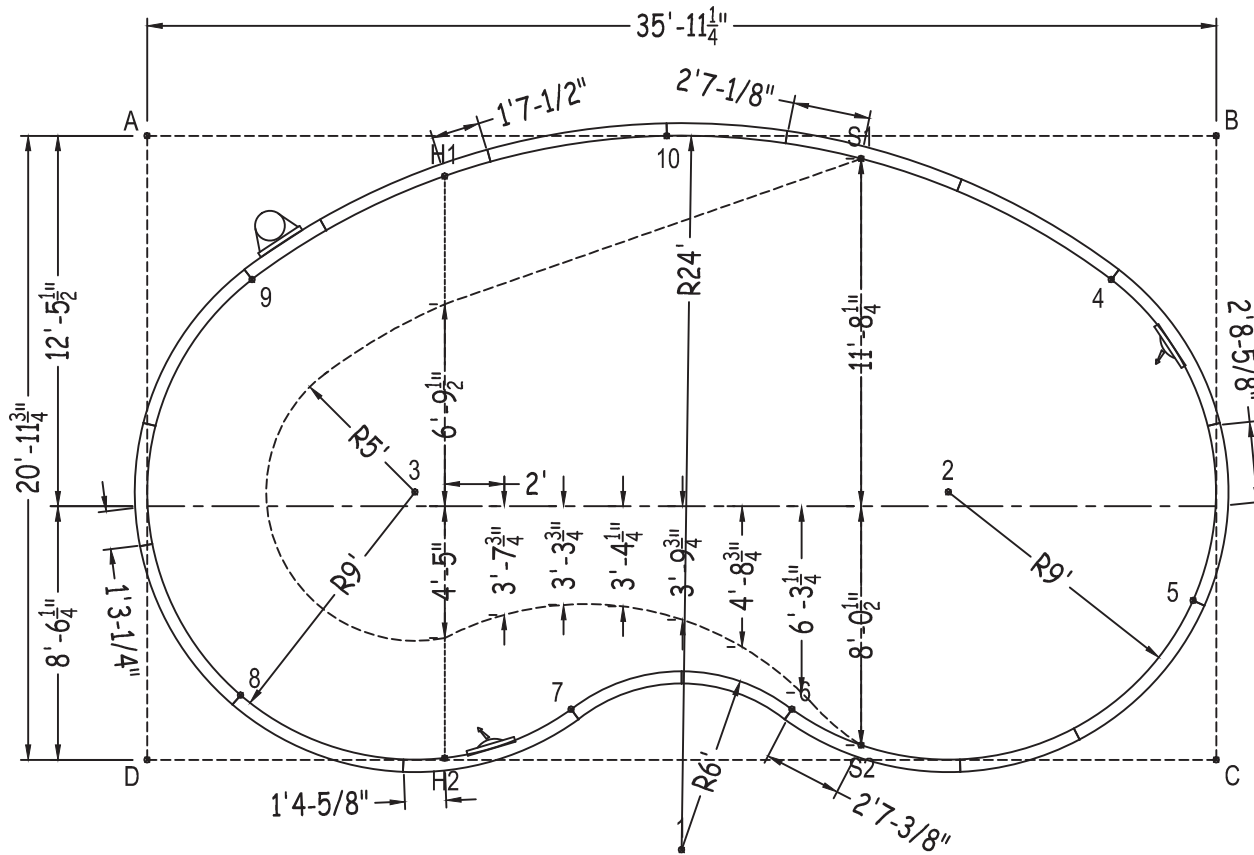
MEETS DEPTH AND SHAPE MINIMUM STANDARD ANSI/APSP/ICC-5 2011



SHEET: 1 OF 3

| | | | | | | |
|------------------|--------|-------------|---------|-------------|---------|-------------|
| Center To Center | S2toH2 | 14'-0" | 4 to 10 | 15'-8 1/2" | 6 to 9 | 23'-2 1/2" |
| 1 to 2 | S1toH2 | 24'-6 1/2" | 5 to 6 | 13'-11 3/4" | 6 to 10 | 19'-8 3/4" |
| 1 to 3 | H1toS2 | 23'-8 1/2" | 5 to 7 | 21'-2 3/4" | 7 to 8 | 11'-1 1/2" |
| 2 to 3 | 4 to 5 | 11'-1 1/2" | 5 to 8 | 32'-2 1/4" | 7 to 9 | 18'-0" |
| Diagonals | 4 to 6 | 18'-0" | 5 to 9 | 33'-5 1/4" | 7 to 10 | 19'-6 1/2" |
| S1toS2 | 4 to 7 | 23'-2 1/2" | 5 to 10 | 23'-7 1/4" | 8 to 9 | 13'-11 3/4" |
| H1toH2 | 4 to 8 | 32'-5 1/4" | 6 to 7 | 7'-5" | 8 to 10 | 23'-7 3/4" |
| S1toH1 | 4 to 9 | 28'-10 3/4" | 6 to 8 | 18'-6 1/2" | 9 to 10 | 14'-9" |

| Part number | Description | Base | Option 1 | Option 2 | Option 3 |
|----------------|----------------------------------|------|----------|----------|----------|
| | | QTY | QTY | QTY | QTY |
| RA0722882X | 24'Rx6' | 4 | 4 | 4 | 4 |
| RA0482881X | 24'Rx4' | 1 | 1 | 1 | 1 |
| RA036SK30* | 3' SKIMMER | 1 | 1 | 1 | 1 |
| RA0721081X | 9'Rx6' | 6 | 4 | 3 | 4 |
| RA0721081* | 9'Rx6' RETURN | 2 | 2 | 2 | 1 |
| RA0661081X | 9'Rx5'6" | - | - | 1 | - |
| RA0511081X | 9'Rx4'3" | - | - | 1 | - |
| RA0481081X | 9'Rx4' | 2 | 3 | 2 | 1 |
| RA0361080* | 9'Rx3' RETURN | - | - | - | 1 |
| RA0301080X | 9'Rx2'6" | - | - | - | 1 |
| RA0221080X | 9'Rx1'10" | - | 1 | - | - |
| RR0480721X | 6'RRx4' | 2 | 2 | 2 | 2 |
| Brace | Brace | 18 | 19 | 18 | 17 |
| IPC-STKPK25 | REBAR STAKE 18" 25PC | 2 | 2 | 2 | 2 |
| IPC-HDWSTRT150 | BOLT STR 3/8-16X1" C/W NUT 150PC | 2 | 2 | 2 | 2 |
| ST6118B | THKSH T STEP FRENCH CURVE 6' | - | 1 | - | - |
| ST8118B | THKSH T STEP FRENCH CURVE 8' | - | - | 1 | - |
| SSK-ST171R108 | STEEL STEP RAD 3 TRD 14'3"X9'RA | - | - | - | 1 |



| | A | B | C | D |
|----|-------------|-------------|-------------|-------------|
| 1 | 29'-11 3/4" | 29'-11 3/4" | 18'-2 3/4" | 18'-2 3/4" |
| 2 | 29'-5 3/4" | 14'-11 3/4" | 12'-8 3/4" | 28'-4 3/4" |
| 3 | 14'-11 3/4" | 29'-5 3/4" | 28'-4 3/4" | 12'-8 3/4" |
| 4 | 32'-9 1/4" | 5'-11 3/4" | 16'-6 1/4" | 36'-2 1/2" |
| 5 | 38'-5 3/4" | 15'-7 3/4" | 5'-5" | 35'-6 3/4" |
| 6 | 29'-1/4" | 23'-11 3/4" | 14'-4 1/4" | 21'-9" |
| 7 | 23'-11 3/4" | 29'-1/4" | 21'-9" | 14'-4 1/4" |
| 8 | 19'-3/4" | 37'-9 3/4" | 32'-10 1/2" | 3'-9 3/4" |
| 9 | 5'-11 3/4" | 32'-9 1/4" | 36'-2 1/2" | 16'-6 1/4" |
| 10 | 17'-5 1/2" | 18'-5 1/2" | 27'-11 1/4" | 27'-3 1/2" |
| S2 | 31'-6 3/4" | 23'-8 1/2" | 11'-11 1/4" | 24'-0" |
| S1 | 24'-1/4" | 11'-11 1/2" | 23'-5 1/2" | 31'-4 1/2" |
| H2 | 23'-2 1/4" | 33'-3 3/4" | 25'-11 1/4" | 10'-0" |
| H1 | 10'-1" | 25'-11 3/4" | 32'-6 1/4" | 22'-1/4" |
| A | - | 35'-11 1/4" | 41'-7 1/4" | 20'-11 3/4" |

CRESCENT 18-0 X 21-0 X 35-11 LEFT

DWG #: LSCR00S1836L15

DATE: 1/1/2015

SHEET: 2 OF 3

