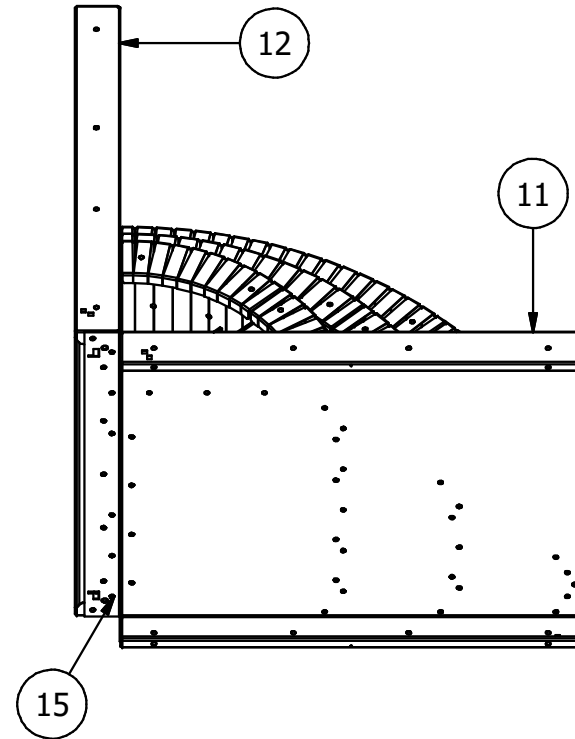
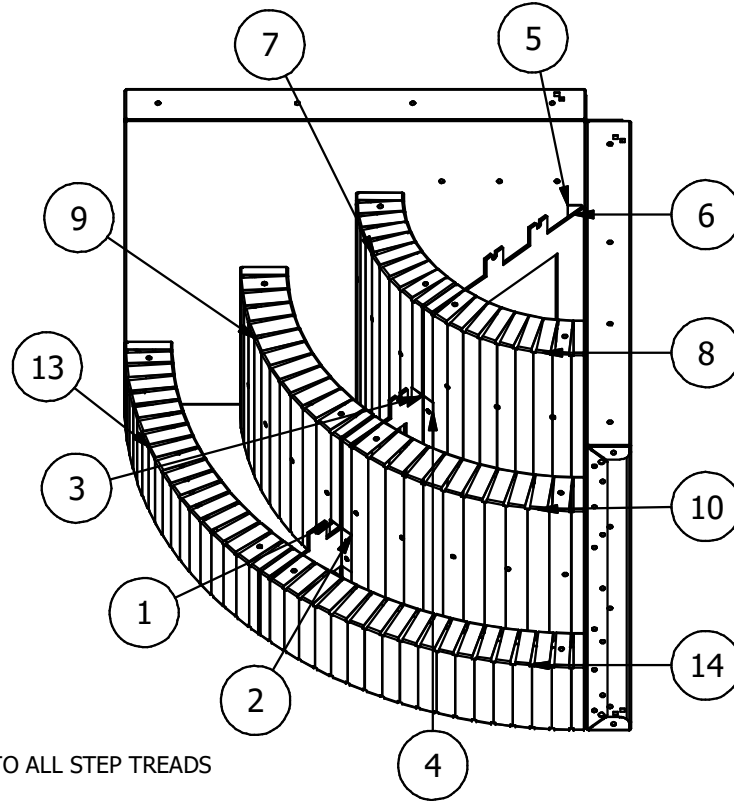


Parts List				Parts List			
ITEM	QTY	PART NUMBER	DESCRIPTION	ITEM	QTY	PART NUMBER	DESCRIPTION
1	1	2-P-ST-PB-840090-BTRDBRCL	Stl Stp Pnl Top Trd Brc Left	9	1	2-P-STPB-680390CC-3RR-MIDTRDL	Stl Stp Pnl 3'RR Mid Trd Left
2	1	2-P-ST-PB-840090-BTRDBRCR	Stl Stp Pnl Top Trd Brc Right	10	1	2-P-STPB-680390CC-3RR-MIDTRDR	Stl Stp Pnl 3'RR Mid Trd Right
3	1	2-P-ST-PB-840090-MTRDBRCL	Stl Stp Pnl Mid Trd Brc Left	11	1	2-P-STPB-680390CC-48-SWL	Stl Stp Pnl 48" Bench Back Wall
4	1	2-P-ST-PB-840090-MTRDBRCR	Stl Stp Pnl Mid Trd Brc Right	12	1	2-P-STPB-680390CC-48-SWR	Stl Stp Pnl 48" Side Wall Right
5	1	2-P-STPB-3TRDCC-TTRDBRC-L-1	Stl Stp Pnl Top Tread Brace Left 1	13	1	2-P-STPB-680390CC-4RR-BTMTRDL	Stl Pnl 2' Reverse Radius Corner
6	1	2-P-STPB-3TRDCC-TTRDBRC-R-1	Stl Stp Pnl Top Tread Brace Right 1	14	1	2-P-STPB-680390CC-4RR-BTMTRDR	Stl Pnl Stp 4'RR Btm Trd Right
7	1	2-P-STPB-680390CC-2RR-TOPTRDL	Stl Pnl Stp 3'RR Top Trd Left	15	1	2-P-STPB-90DSTPCR	Stl Pnl 90 Deg Corner - S/1
8	1	2-P-STPB-680390CC-2RR-TOPTRDR	Stl Pnl Stp 3'RR Top Trd Right				



2.5" LIP WILL BE APPLIED TO ALL STEP TREADS  
APPROX 2.5" LIP: 14'  
APPROX BEADTRACK: 12'  
ALL BACK PANELS TO HAVE Z-RIBS

## ATLAS SERIES STEPS AND BENCHES

P-ST-PB-680390CC

STL STP 90DCC 5'-8" CAKE STEP (PERMAFORM) (BEAD) - 3 TREAD

3514.idw

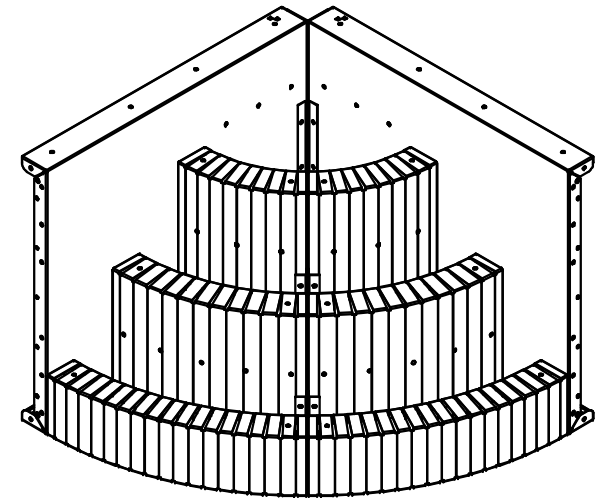
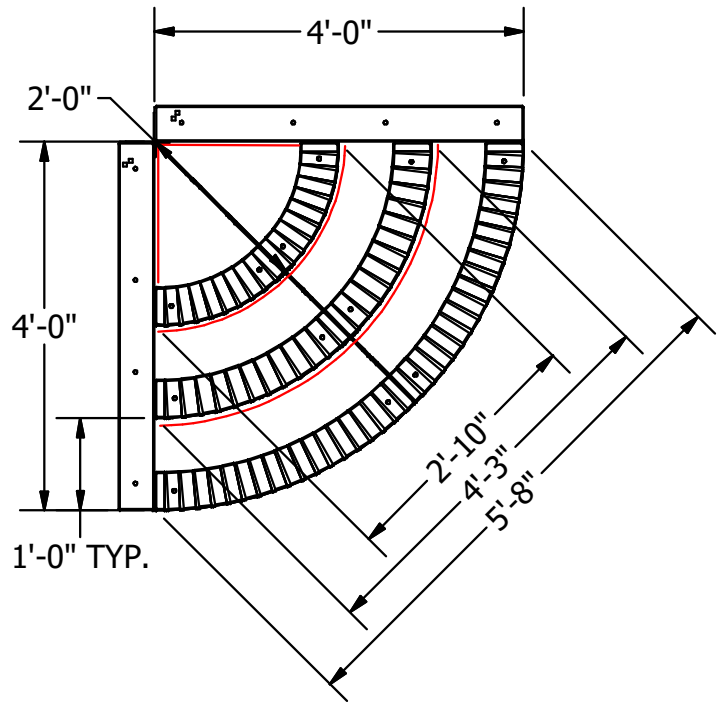
DRAWING DATE  
3/8/2018

REV

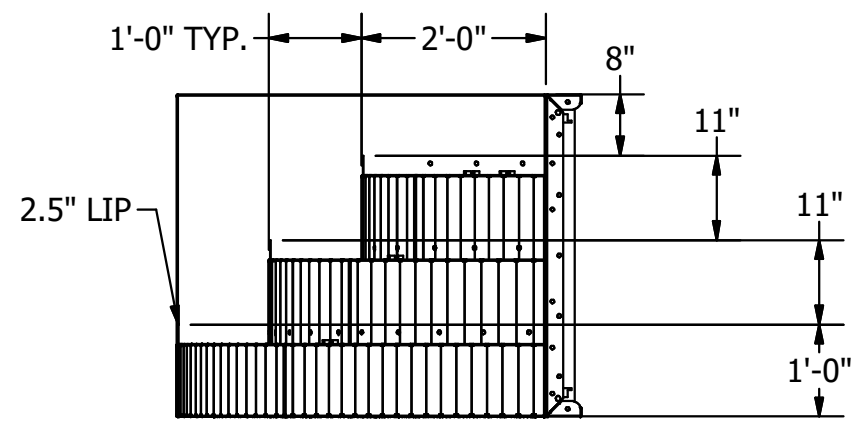
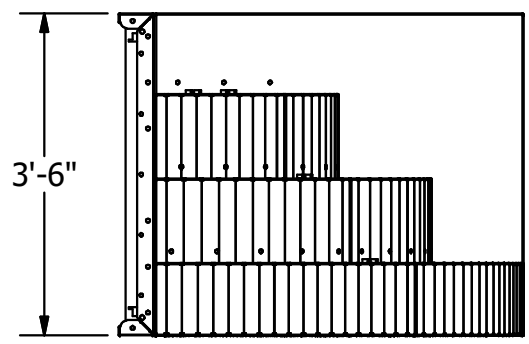
DRAWN BY  
J.Voltz

SHEET 1 OF 2

BEADTRACK LOCATION - █



FINISHED TREADS HEIGHTS w/2.5" LIP



## ATLAS SERIES STEPS AND BENCHES

P-ST-PB-680390CC

STL STP 90DCC 5'-8" CAKE STEP (PERMAFORM) (BEAD) - 3 TREAD

3514.idw

DRAWING DATE  
3/8/2018

REV

DRAWN BY  
J.Voltz

SHEET 2 OF 2