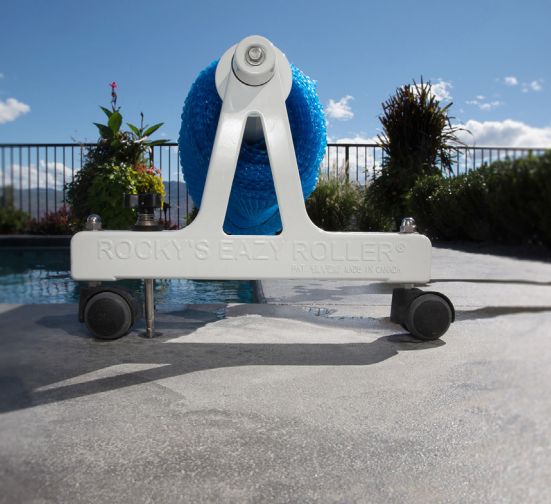




2019

# Rocky's Product Catalog

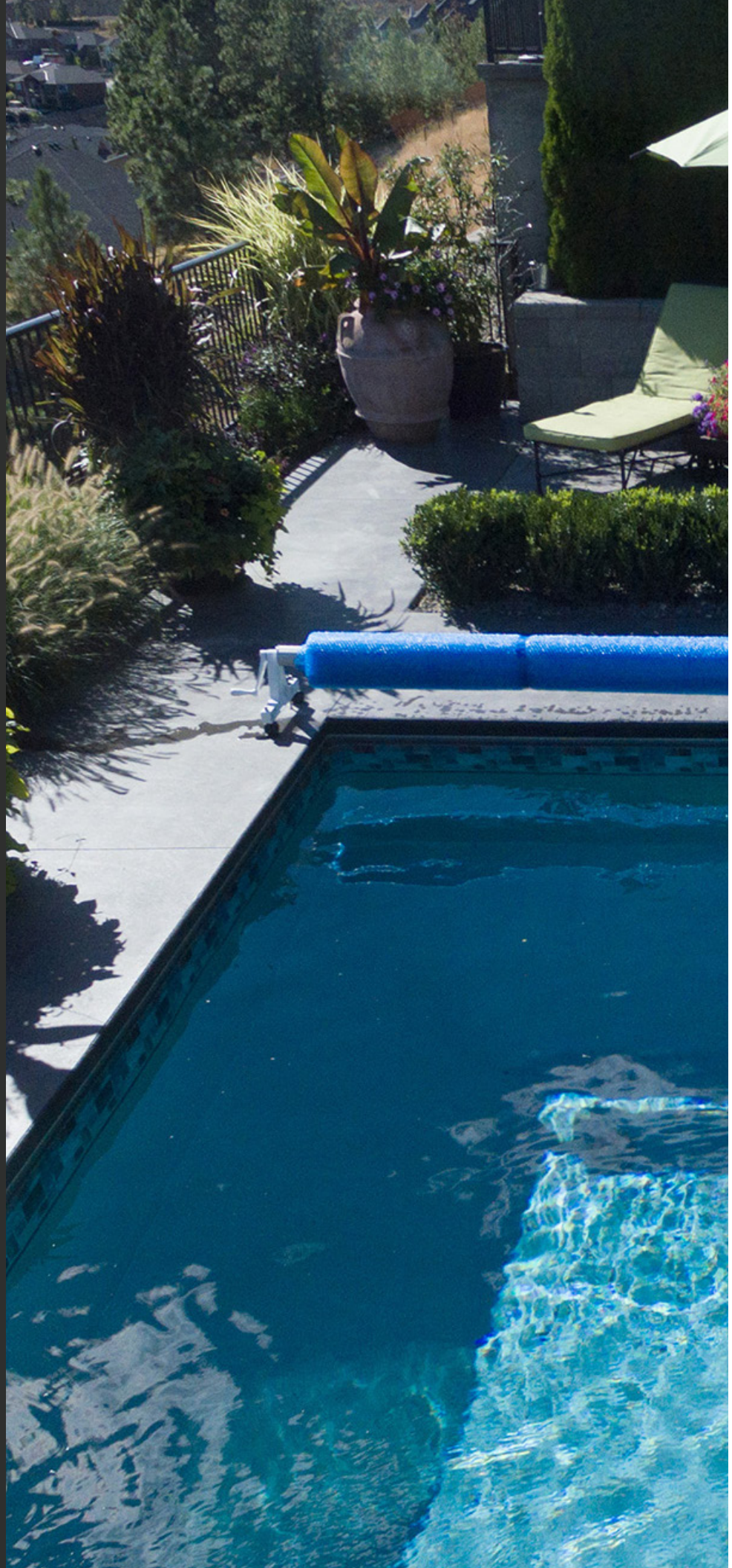
For over 40 years, Rocky's has been building the most durable solar cover reels & roller systems on the market.



**ROCKY'S**  
Quality pool cover reel systems

# Contents

Residential Products	4
Automated Products	8
Commercial Products	10
Replacement Parts	12
Technical Information	26
-3 Portable	28-29
-3A Portable	30-32
-4 Permanent	33-34
-4A Permanent	35-37
-5 Portable	38-39
-5A Portable	40-41
-High Riser Residential	42-44
-AT-1 and AT-2 Tube	45-46
-4 Inch Adjustable Tube	47
-4 Inch Tubing (non adjustable)	48
Residential Sizing Charts	50-53
-Junior Commercial Reel	55-56
-Senior Commercial Reel	57-58
-High Riser Commercial	59-61
-4" Commercial Tubing	62
Commercial Sizing Charts	64
Rocky's Quality	66



# PEOPLE, PRODUCTS, PRICES

Rocky's is a family run company that has been manufacturing the highest quality swimming pool reel systems and products since 1976. Our head office is located in the beautiful Okanagan Valley in British Columbia, Canada.

Our products are proudly made in North America, using only the highest quality materials. If you would like to find out more about our company or products, please feel free to contact us anytime.

Rocky's is a global supplier and has been working with the largest pool supply distributor networks world wide for over 40 years. From India to Mexico to Italy to New Zealand (to name just a few), our quality products are sought after around the globe.

Rocky's is fully capable of exporting any sized order for International customers. If you are interested in distributing the Rocky's brand in your area, please contact us directly for details. 1-800-663-8705 or [info@rockys.ca](mailto:info@rockys.ca)



# Residential Products

For over 40 years, Rocky's has been crafting the highest quality manual solar cover reel systems for backyard pools. Our residential systems are built to last and with our 10 year warranty backing every reel system we manufacture, you can be sure you will get years of use out of your investment. These reel systems are for residential application only. If a residential system is sold to a commercial user the warranty will be voided.

Our reel systems save you time and money, allowing you to fully enjoy your backyard oasis!

**NEW! CLEAR COAT FINISH AVAILABLE ON SELECT MODELS.**



Part: 305

## 3 Portable

PART # 305

The 3 Portable Reel System uses 4" hubs and 4" tubing, making it capable of smoothly rolling a longer solar cover. It is designed for use as a portable unit. Ground clearance to the underside of tubing is approximately 9". For use on pools up to 24' x 45'. Compatible with Rocky's 4 Inch Adjustable Tubing or Commercial Tubing.

Additional information: page 28-29



Part: 307

## 3A Portable

PART # 307

The 3A Portable Reel System is for the typical backyard pool. Comes with 2" wheels for easy maneuvering. Ground clearance to underside of tubing is approximately 9.5". For use on pools up to 24' x 45'. Compatible with Rocky's AT-1 (Part 323) and AT-2 (Part 325) Tubing.

Additional information: page 30-32



Part: 307CC

## 3A Portable Clear Coat

PART # 307CC

The popular 3A Portable Reel System now in a clear coat for a sleek industrial look that compliments concrete pool decking. Comes with 2" wheels for easy maneuvering. Ground clearance to underside of tubing is approximately 9.5". For use on pools up to 24' x 45'. Compatible with Rocky's AT-1 (Part 323) and AT-2 (Part 325) Tubing.

Additional information: page 30-32



Part: 313

## 4 Permanent

PART # 313

The 4 Permanent Reel System is designed to be bolted into place making it our most versatile system as it can be secured to numerous surfaces such as walls, raised decking or under a diving board. Popular with above ground pool and fitness pool owners. Ground clearance to the underside of the tubing is approximately 6.5". For use on pools up to 24' x 35'. Compatible with Rocky's 4 Inch Adjustable Tubing or Commercial Tubing.

Additional information: page 33-34



Part: 309

## 4A Permanent

PART # 309

The 4A Permanent Reel System is designed to be bolted into place making it our most versatile system as it can be attached to numerous surfaces such as walls, raised decking or under a diving board. Popular with above ground pool and fitness pool owners. Ground clearance to the underside of the tubing is approximately 6.75". For use on pools up to 24' x 40'. Compatible with Rocky's AT-1 (Part 323) and AT-2 (Part 325) Tubing.

Additional information: page 35-37



Part: 309CC

## 4A Permanent Clear Coat

PART # 309CC

Now in a Clear Coat for a modern industrial design the 4A Permanent Reel System is designed to be bolted into place making it our most versatile system as it can be mounted to numerous surfaces such as walls, raised decking or under a diving board. Popular with above ground pool and fitness pool owners. Ground clearance to the underside of the tubing is approximately 6.75". For use on pools up to 24' x 40'. Compatible with Rocky's AT-1 (Part 323) and AT-2 (Part 325) Tubing.

Additional information: page 35-37



Part: 315

## 5 Portable

PART # 315

The 5 Portable Reel System is the largest and most robust of Rocky's Residential Systems. It is designed for use as a portable unit and to handle a thicker, heavier cover. The 5 has a longer handle and 4" locking wheels to support its sturdy design. Ground clearance to underside of tubing is approximately 10.5". For use on pools up to 24' x 60'. Compatible with Rocky's 4 Inch Adjustable Tubing or Commercial Tubing.

Additional information: page 38-39



Part: 317

## 5A Portable

PART # 317

The 5A Portable Reel System uses Rocky's 3 Inch Adjustable Tubing. The 5A has a longer handle and 4" locking wheels to support its sturdy design. Ground clearance to the underside of the tubing is approximately 10.75". For use on pools up to 24' x 65'. Compatible with Rocky's AT-1 (Part 323) and AT-2 (Part 325) Tubing.

Additional information: page 40-41



Part: 318

## High Riser Residential

PART # 318

The High Riser Residential has the highest deck clearance out of all Rocky's Residential Systems. The longer handle and higher profile make this unit excellent for pool owners that don't want to have to bend over to reel in their solar cover or for larger residential pool applications. Ground clearance to the underside of the tubing is approximately 26.5". For use on pools up to 24' x 90'. Compatible with Rocky's AT-1 (Part 323) and AT-2 (Part 325) Tubing.

Additional information: page 42-44



Part: 323

## AT-1 Tube

PART # 323

The Adjustable Tube 1 is designed to work with the 3A, 4A and 5A Residential Systems. The AT-1 Tube adjusts from 15 feet to 21 feet giving it the ability to fit any residential pool up to 20 feet wide.

We recommend the tube be a foot wider than the pool. This ensures you won't have wheels hanging into the pool and that the cover won't catch on the end units.

Additional information: page 45



Part: 325

## AT-2 Tube

PART # 325

The Adjustable Tube 2 is a longer version of the AT-1 Tube. The AT-2 Tube adjusts from 17 feet to 25 feet giving it the ability to fit any residential pool up to 24 feet wide. The AT-2 also has a bigger tensioning system to ensure that it does not sag. For use on pools up to 24' wide. Compatible with Rocky's 3A, 4A, 5A and High Riser Residential Systems. We recommend the tube be a foot wider than the pool. This ensures you won't have wheels hanging into the pool and that the cover won't catch on the end units.

Additional information: page 46



Part: 327

## 4 Inch Adjustable Tube

PART # 327

Rocky's 4 Inch Adjustable Tubing is for use with the 3, 4 and 5 Residential Reel Systems. It is a 4 inch diameter tube that is similar in design to the AT-1 and AT-2. The 4 Inch Tubing can adjust from 16' up to 23'. It is ideal for heavier covers or pool owners that want a more robust tube. For use on pools up to 22' wide.

Additional information: page 47

# Automated Products

Over the years customers have inquired about the use of motors with our products. We have seen a few after market motors come and go but they never withstood the test of time. Over the past few years Rocky's has been developing a motor that fits inside our 3" Adjustable Tubing. In the future we hope to have bigger motors available for our Commercial systems.



# 3" Motor Kit



**PART # 300**

Rocky's 3" Motor Kit is designed to fit into our 3" Adjustable Tubing. This means that the motor can be retrofitted onto any existing Rocky's reel using our AT-1 or AT-2 tube. The motor can be used on pools that are up to 20' wide by 40' long. It provides 20 NM of force and the battery can last about 2 months on a full charge using it twice a day.

## Specifications

- Long lasting Battery
- Remote Controlled
- Detailed video instructions available
- Can still be manually operated
- 1 year Manufacturers Warranty
- Assembled in Canada
- Weighs 8 lb.
- Works on pools up to 20' x 40'
- Durable Construction
- Charges fully in twelve hours
- Water resistant
- Uses LifePO4 Batteries
- Ships in one box 36"x 6"x 6"

# Commercial Products

If you own or operate a commercial pool, Rocky's is the only brand of reel system you should be considering.

We offer a full range of commercial sized reel systems to handle larger pool applications. These systems are backed by the same great Rocky's 10 year warranty, providing organizations with peace of mind about investing in a solar cover reel system.

Our heavy duty commercial reels use only the best materials sourced and manufactured in North America and are built to handle solar covers up to 100' long (depending on the width of the pool). Our Commercial reel systems are designed for the rougher handling encountered in a commercial environment. Please contact us today for more information.



Part: 319

## Junior

**PART # 319**

The Junior is the smallest of Rocky's Commercial Systems. It is designed for use as a portable unit and has a third leg with additional wheel for extra stability. The Junior uses Rocky's 12 sided, 4" anodized Commercial Tubing. Ground clearance to underside of tubing is approximately 11". For use on pools up to 32' x 85'. Compatible with Rocky's 4" Commercial Tubing which can be ordered in any length up to 33'.

Additional information: page 43-44



Part: 321

## Senior

**PART # 321**

The Senior is the most popular of Rocky's Commercial Systems, it is designed to handle large covers up to 100' long. It comes with Rocky's high quality 4" locking wheels, so it can be easily moved pool side. Ground clearance to the underside of the tubing is approximately 14". For use on pools up to 32' x 100'. Compatible with Rocky's 4" Commercial Tubing which can be ordered in any length up to 33'.

Additional information: page 46-47



Part: 318-C

## High Riser Commercial

**PART # 318-C**

The High Riser has the highest deck clearance out of all Rocky's Commercial Reel Systems and is designed to clear obstacles on the pool deck. This unit is excellent for facilities with people that don't want to have to bend over to reel in their cover. For the best performance Rocky's recommends using a tube that does not surpass 25' in length. Ground clearance to the underside of the tubing is approximately 26.75". For use on pools up to 24' x 100'. Compatible with Rocky's 4" Commercial Tubing which can be ordered in any length up to 25'.

Additional information: page 48-49



Parts: 332-349

## 4 Inch Commercial Tube

**PART # 332-349**

Rocky's heavy duty, 4" Commercial Tubing is designed to work with all of Rocky's Commercial Systems. This high quality tubing is anodized and uses a 12 sided design to increase the strength and lateral integrity. Rocky's 4" Commercial Tubing can be custom cut to fit any pool shape and size. For use on pools up to 33' wide and is compatible with Rocky's Commercial Reel Systems. Weight, dimensions and part numbers for specific lengths available on Page 50.

# Replacement Parts

Rocky's offers a complete list of replacement parts and accessories for all our systems. So it's easy for owners to upgrade or replace parts, without having to purchase a new unit.

To look up replacement parts by reel model please see the technical information on Page 24.



Part: 501

## Self Tap Screws 12 Pack

Compatible with any of Rocky's Systems. Part 501 can be used to attach the tube to the end units or to attach straps to the tube.

CODE	ITEM
501	Self Tap Screws (12)

Shipping Dimensions 1 lb.

3.5"x 3.5"x 0.5"

Made in Canada

Case quantity= 50



Part: 503

## Thick 3/8" Washer 4 Pack

For use with both the High Riser Commercial and High Riser Residential Systems. These washers are used to level out the 3rd Leg Wheel.

CODE	ITEM
503	Thick 3/8" Washer (4)

Shipping Dimensions 1 lb.

3.5"x 3.5"x 0.5"

Made in Canada

Case quantity= 50



Part: 505

## 5/16" x 1" Bolt & Washer Set (2 sets)

Universal part for all Rocky's Reel Systems, used to secure the Handle and Knob.

CODE	ITEM
505	5/16" x 1" Bolt & Washer Set (2 sets)

Shipping Dimensions 1 lb.

3.5"x 3.5"x 0.5"

Made in Canada

Case quantity= 50



Part: 507

## 3/8"x 1" Bolt and Washer (2 sets)

For use with any Permanent unit to secure the Frame to the Anchors. Alternatively used to attach the 3rd Leg to the Junior, Senior and both styles of High Riser.

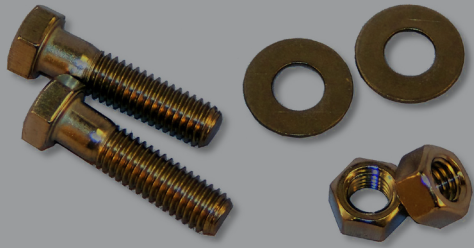
CODE	ITEM
507	3/8"x 1" Bolt and Washer (2 sets)

Shipping Dimensions 1 lb.

3.5"x 3.5"x 0.5"

Made in Canada

Case quantity= 50



Part: 509

## 3/8"x 1-1/2" Bolt, Nut, & Washer

Used to attach the 4 Frame to both the Senior and both styles of High Riser.

**CODE**

**ITEM**

509 3/8"x 1-1/2" Bolt, Nut, & Washer (2 sets)

Shipping Dimensions 1 lb.

3.5"x 3.5"x 0.5"

Made in Canada

Case quantity= 50



Part: 511

## 6" Anchor Bolt x 2

For use with the 3, 3A and both styles of High Riser, to anchor the system in place while in use.

**CODE**

**ITEM**

511 6" Anchor Bolt x 2

Shipping Dimensions 2 lb.

9"x 4"x 2"

Made in Canada

Case quantity= 50



Part: 513

## 8" Anchor Bolt x 2

For use with the 5, 5A, Junior and the Senior Systems. Used to anchor the system in place while in use.

**CODE**

**ITEM**

513 8" Anchors bolts x 2

Shipping Dimensions 2 lb.

11"x 4"x 2"

Made in Canada

Case quantity= 50



Part: 515

## Drop In Anchors (2)

Universal part for all Rocky's systems used to anchor the unit to concrete or paving stones.

**CODE**

**ITEM**

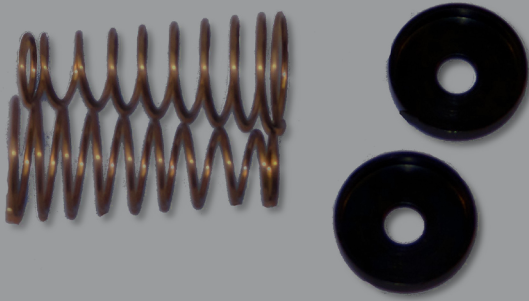
515 Drop In Anchors (2)

Shipping Dimensions 1 lb.

2"x 3.5"x 0.5"

Made in Canada

Case quantity= 50



Part: 517

## S/S Spring & Retainer (2)

For use with all 6" Anchor Bolts. One package replaces the springs on both ends of a reel system.

CODE	ITEM
517	S/S Spring & Retainer (2)

Shipping Dimensions 1 lb.

6"x 3.5"x 1.5"

Made in Canada

Case quantity= 50



Part: 518

## 6" Anchor Bolt Set (2)

Complete Anchor assembly replacement for 3, 3A or High Riser Systems.

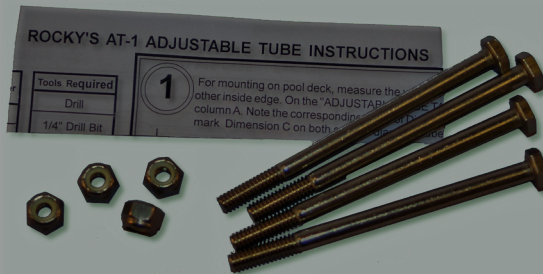
CODE	ITEM
518	6" Anchor Bolt Set (2)

Shipping Dimensions 2 lb.

9"x 4"x 2"

Made in Canada

Case quantity= 50



Part: 519

## AT-1 Tube Hardware Bag

Replacement Hardware with instructions for AT-1 Tube.

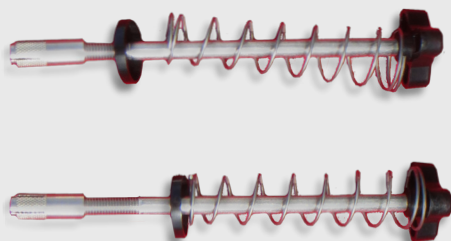
CODE	ITEM
519	AT-1 Tube Hardware Bag

Shipping Dimensions 2 lb.

8"x 3.5"x .5"

Made in Canada

Case quantity= 50



Part: 520

## 8" Anchor Bolt Set (2)

Complete anchor assembly replacement for 5, 5A, Junior or Senior Systems.

CODE	ITEM
520	8" Anchor Bolt Set (2)

Shipping Dimensions 2 lb.

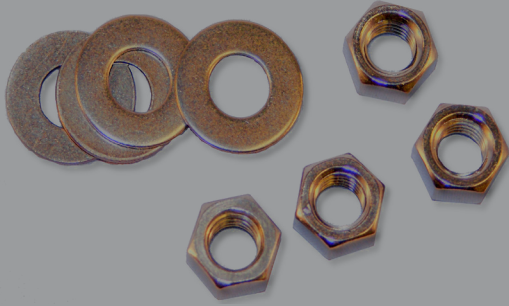
11"x 4"x 2"

Made in Canada

Case quantity= 50







Part: 525

## 3/8" Nut & Washer (4 sets)

Replacement Nuts and Washers for the High Riser and Senior Systems, used to attach the 4 Frame to the bottom Frame.

### CODE

### ITEM

525 3/8" Nut & Washer (4 sets)

Shipping Dimensions 1 lb.

3.5"x 4"x .5"

Made in Canada

Case quantity= 50

## Senior Base

Replacement Base for the Senior System. Can also be used to get more ground clearance on a permanent system or to convert a permanent system to a portable one.

### CODE

### ITEM

529 Senior Base

Shipping Dimensions 3 lb.

22"x 7"x 2"

Made in Canada

Case quantity= 9



Part: 529

## 3 Frame

Rocky's original Frame design. For use on the 3, 3A, 5, 5A and Junior System.

### CODE

### ITEM

530 3 Frame

Shipping Dimensions 3 lb.

18"x 11"x 2"

Made in Canada

Case quantity= 10



Part: 530

## 3 Frame Clear Coat

Replacement Frame for 3A Portable Clear Coat.

### CODE

### ITEM

530CC 3 Frame Clear Coat

Shipping Dimensions 3 lb.

18"x 11"x 2"

Made in Canada

Case quantity= 10



Part: 530CC



Part: 531

## 4 Frame

Replacement Frame for use with 4, 4A, Senior and both High Riser Systems.

CODE	ITEM
531	4 Frame
Shipping Dimensions 3 lb.	
12"x 11"x 2"	
Made in Canada	
Case quantity= 20	

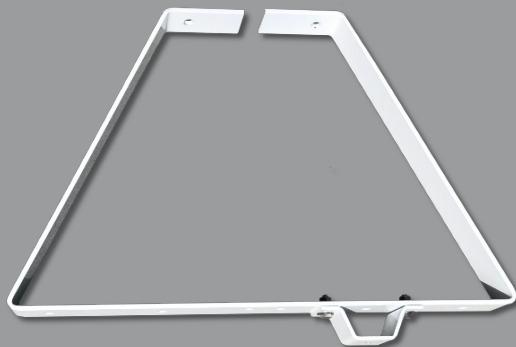


Part: 531CC

## 4 Frame Clear Coat

Replacement Frame for 4A Permanent Clear Coat.

CODE	ITEM
531CC	4 Frame Clear Coat
Shipping Dimensions 3 lb.	
12"x 11"x 2"	
Made in Canada	
Case quantity= 20	



Part: 532

## High Riser Frame

Replacement Frame for the bottom section for both models of the High Riser system.

CODE	ITEM
532	High Rise Frame
Shipping Dimensions 5 lb.	
25"x 19"x 2"	
Made in Canada	
Case quantity= 1	



Part: 533

## White Knob

Universal part for all Rocky's systems in White. This part can also be switched out with a Handle in order to have double handles on a system.

CODE	ITEM
533	White Knob
Shipping Dimensions 1 lb.	
5"x 3.5"x 2"	
Made in Canada	
Case quantity= 50	



Part: 533CC

## Clear Coat Knob

Replacement Knob for Rocky's Clear Coat units. Can also be swapped with a Clear Coat Handle to make a unit have two handles.

CODE	ITEM
533CC	Clear Coat Knob
Shipping Dimensions 1 lb.	
5"x 3.5"x 2"	
Made in Canada	
Case quantity= 50	



Part: 535

## Third Leg

Replacement Third Leg for Junior, Senior and both High Riser Systems.

CODE	ITEM
535	Third Leg
Shipping Dimensions 1 lb.	
9"x 3.5"x 2"	
Made in Canada	
Case quantity= 40	



Part: 537

## 3rd Leg + 4" Wheel

Full replacement Third Leg assembly for Junior, Senior and both High Riser Systems.

CODE	ITEM
537	3rd Leg + 4" Wheel
Shipping Dimensions 4 lb.	
10"x 7"x 3"	
Made in Canada	
Case quantity= 10	



Part: 538

## High Riser Retainer

Replacement Retainer for both High Riser Systems. Can also be used as reinforcement on a Senior system if using thermal covers instead of solar covers.

CODE	ITEM
538	High Rise Retainer
Shipping Dimensions 2 lb.	
10"x 3.5"x 2"	
Made in Canada	
Case quantity= 50	

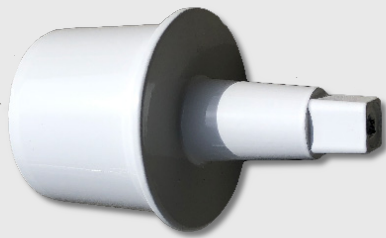


Part: 539

## 4" Hub

Replacement 4" Hub for Rocky's 3, 4, 5, Junior, Senior and High Riser Systems. Can also be used to convert a 3" tube system to a 4" tube system. Compatible with Rocky's 4 Inch Adjustable Tube and Commercial Tubing. Was originally designed to fit over 4" irrigation tubing. Fully compatible with systems still using older style irrigation tubing.

CODE	ITEM
539	4" Hub
Shipping Dimensions 2 lb.	
9"x 7"x 6"	
Made in Canada	
Case quantity= 20	

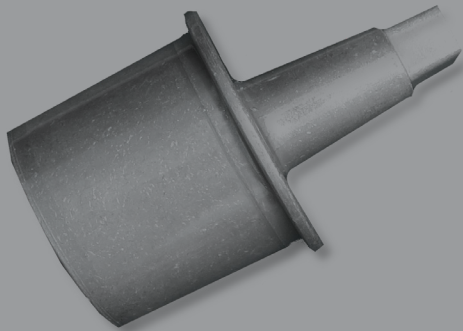


Part: 543

## 3" Hub

Replacement 3" Hub for Rocky's 3A, 4A, 5A and High Riser Residential Systems. Can also be used to convert a 4" tube down to a 3" tube. Also compatible with 3" PVC pipe which works great on swim spas and small pools that are no greater than 8' wide by 15' long.

CODE	ITEM
543	3" Hub
Shipping Dimensions 2 lb.	
9"x 7"x 4"	
Made in Canada	
Case quantity= 20	



Part: 543CC

## 3" Hub Clear Coat

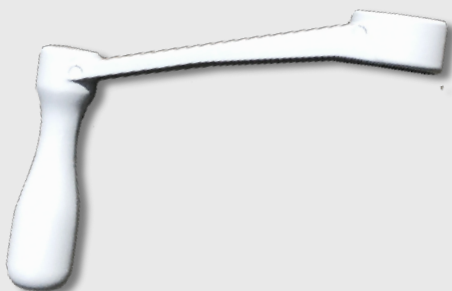
Replacement Hub for Rocky's 3A Clear Coat and 4A Clear Coat Reel Systems.

CODE	ITEM
543CC	3" Hub Clear Coat
Shipping Dimensions 2 lb.	
9"x 7"x 4"	
Made in Canada	
Case quantity= 20	

## Small Handle

A universal fit Rocky's part, it will fit on any system but is designed specifically for the 3, 3A, 4 and 4A Systems. These handles can be added to both sides of a system or used in place of a Large Handle if you need to fit a larger system in a smaller space.

CODE	ITEM
545	Small Handle
Shipping Dimensions 2 lb.	
10"x 8"x 2"	
Made in Canada	
Case quantity= 40	



Part: 545

## Small Handle Clear Coat



Part: 545CC

Replacement Handle For Rocky's 3A Clear Coat and 4A Clear Coat. Can also be added as a second handle.

CODE	ITEM
545CC	Small Handle Clear Coat
Shipping Dimensions 2 lb.	
10"x 8"x 2"	
Made in Canada	
Case quantity= 40	

## Large Handle



Part: 547

Handle replacement for Rocky's 5, 5A, Junior, Senior and both High Riser Systems. Can also be added as a second handle.

CODE	ITEM
547	Large Handle
Shipping Dimensions 2 lb.	
15"x 8"x 2"	
Made in Canada	
Case quantity= 30	

## Grommet Display Box + (100 Grommets)



Part: 548

Display box that dispenses grommets. Perfect for a pool store counter or the shop of a pool installer. Ideal when you need to add one extra grommet for an install.

CODE	ITEM
548	Grommet Display Box + (100 Grommets)
Shipping Dimensions 5 lb.	
10"x 8"x 3"	
Made in Canada	
Case quantity= 6	

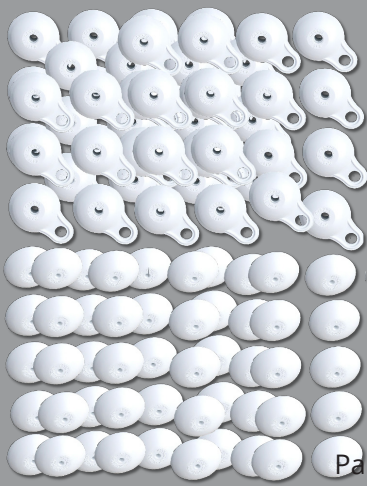
## 12 Grommet Pack



Part: 549

Universal part for all Rocky's systems used to attach a cover to our strapping. 12 sets of grommets. Ideal for adding a rope pull or using a couple more straps on a larger pool. It is always handy to have a couple extra on hand.

CODE	ITEM
549	12 Grommet Pack
Shipping Dimensions 1 lb.	
10"x 8"x 2"	
Made in Canada	
Case quantity= 50	



Part: 553

## 50 Grommet Pack

50 complete Grommets. Ideal size for installers and pool maintenance companies. If you're changing a cover you need to change the grommets too.

### CODE

553

### ITEM

50 Grommet Pack

Shipping Dimensions 4 lb.

13"x 8"x 2"

Made in Canada

Case quantity= 30



Part: 554

## 100 Grommet Pack

Universal part for all Rocky's systems used to attach a cover to our Strapping. Can be used to refill the Grommet Display Box (part 554). The biggest bulk pack Rocky's offers.

### CODE

554

### ITEM

100 Grommet Pack

Shipping Dimensions 6 lb.

18"x 8"x 3"

Made in Canada

Case quantity= 10



Part: 555

## Bushing and Washer (2 sets)

Universal part for all Rocky's systems. If you have a reel that is not turning check these parts first. Rocky's recommends greasing the Bushing with a waterproof grease at least once a year. If the Bushing is cracked make sure to replace it to keep your reel turning smoothly.

### CODE

555

### ITEM

Bushing and Washer (2 sets)

Shipping Dimensions 1 lb.

6"x 3.5"x 2"

Made in Canada

Case quantity= 50



Part: 577

## Universal Strap Kit

Universal part that is compatible with any reel system on the market. Rocky's Strapping is coated in vinyl making it outlast the competition's. The Strapping and Grommet quantities are the same as our residential units, making this an ideal replacement kit.

### CODE

577

### ITEM

Universal Strap Kit

Shipping Dimensions 2 lb.

15"x 4"x 2"

Made in Canada

Case quantity= 50

## 2" Wheels x 2



Part: 579

A set of two 2" diameter Wheels and the hardware required to mount them. Specifically used on the 3 and 3A Systems.

### CODE

579

### ITEM

2" Wheels x 2

Shipping Dimensions 2 lb.

10"x 8"x 2"

Made in Canada

Case quantity= 40

## 4" Wheels x 2



Part: 581

A set of two 4" diameter Wheels and the hardware required to mount them. For use on the 5, 5A, Junior and Senior Systems.

### CODE

581

### ITEM

4" Wheels x 2

Shipping Dimensions 5 lb.

11"x 11"x 3"

Made in Canada

Case quantity= 10

## 3rd Leg Wheel Bag



Part: 582

Replacement Wheels for any Rocky's system that uses 3rd Legs. These Wheels have a shorter stem to ensure a proper fit on the 3rd Leg.

### CODE

582

### ITEM

3rd Leg Wheel Bag

Shipping Dimensions 5 lb.

11"x 11"x 3"

Made in Canada

Case quantity= 10

## 2" Wheels x 4



Part: 583

A full set of replacement Wheels and hardware for any Rocky's system that uses 2" diameter Wheels.

### CODE

583

### ITEM

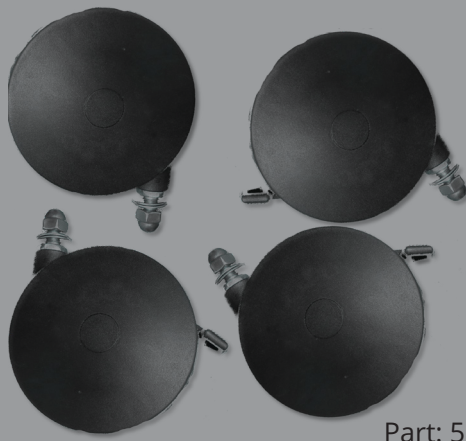
2" Wheels x 4

Shipping Dimensions 2 lb.

10"x 8"x 2"

Made in Canada

Case quantity= 40



Part: 584

## High Riser Wheel Bag

Out fitted with 5/8" length Stems these Wheels will only fit Rocky's High Riser Systems. This is a complete set of four.

### CODE

584

### ITEM

High Rise Wheel Bag

Shipping Dimensions 5 lb.

11"x 11"x 3"

Made in Canada

Case quantity= 10



Part: 585

## 4" Wheels x 4

Set of four 4" replacement Wheels. Fits Rocky's 5, 5A, Junior and Senior Reel Systems.

### CODE

585

### ITEM

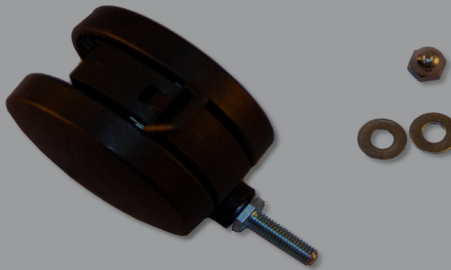
4" Wheels x 4

Shipping Dimensions 5 lb.

11"x 11"x 3"

Made in Canada

Case quantity= 10



Part 586

## Single 4" Wheel for 3rd Leg

Single Replacement Wheel that fits a 3rd Leg.

### CODE

586

### ITEM

Single 4" Wheel for 3rd Leg

Shipping Dimensions 2 lb.

10"x 11"x 3"

Made in Canada

Case quantity= 10



Part: 587

## 22' Strapping

22 feet of Strapping used to attach a solar cover to a Rocky's Reel System. 22' is supplied with our 3, 3A, 4, and 4A Systems so this is the perfect amount if its time to replace the existing straps. Can also be used to add extra straps if you have a larger cover.

### CODE

587

### ITEM

22' Strapping

Shipping Dimensions 1 lb.

8"x 4"x 2"

Made in Canada

Case quantity= 50





Part: 589

## 36' Strapping

36 feet of Strapping. The exact size we put in the box for the 5, 5A, Junior, Senior and High Riser Systems. Ideal for when its time to replace a cover.

### CODE

589

### ITEM

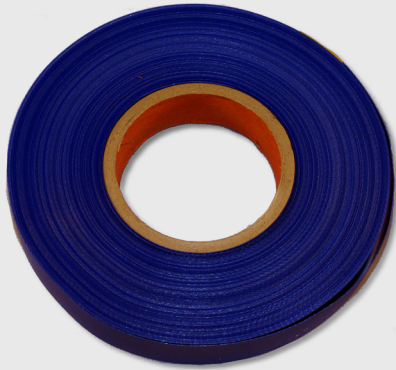
36' Strapping

Shipping Dimensions 1 lb.

8"x 4"x 2"

Made in Canada

Case quantity= 50



Part: 591

## 150' Strapping

150 linear feet of Rocky's Strapping. Ideal for pool maintenance companies, retailers and installers. Also good for shops that sell individual Grommets.

### CODE

591

### ITEM

150' Strapping

Shipping Dimensions 10 lb.

10"x 9"x 2"

Made in Canada

Case quantity= 20



Part: 593

## 18" Velcro

Enough Velcro to attach 9 straps to a Solar Reel System. This is ideal if you want to remove your reel when the cover is on the pool. Unroll it, unhook it and roll it away!

### CODE

593

### ITEM

18" Velcro

Shipping Dimensions 1 lb.

4"x 4"x 2"

Made in Canada

Case quantity= 50



Part: 594

## 4 Shim Kit

A pair of half inch Shims and longer Bolts originally designed for the 4 and 4A Systems to provide more height. They can be stacked up to three high to obtain more clearance in a permanently mounted setting where space is a commodity. Can also be used to add extra height to the Senior System.

### CODE

594

### ITEM

4 Shim Kit

Shipping Dimensions 5 lb.

8"x 4"x 2"

Made in Canada

Case quantity= 50

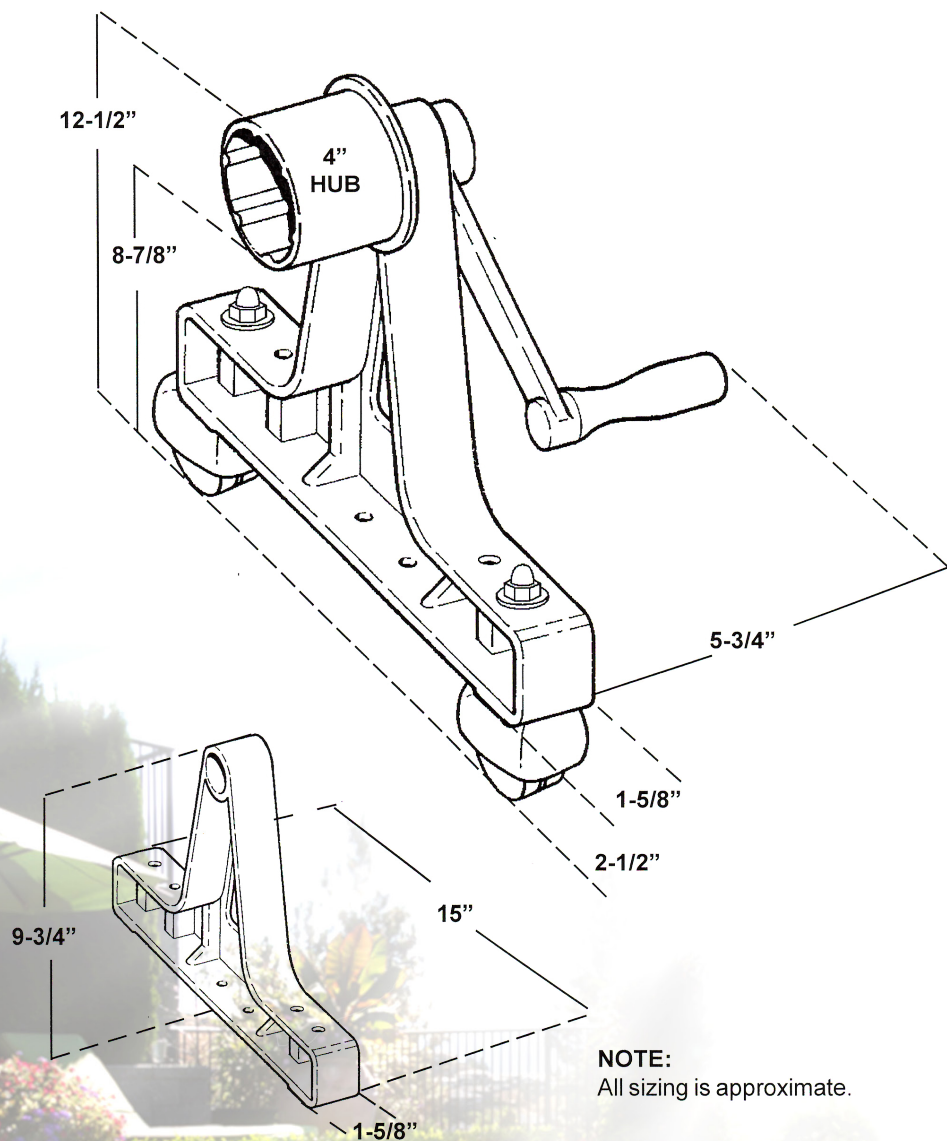
# Technical Information

The following Information provides the dimensions of each end unit, the shipping weight and box dimensions, as well as a list of parts required to repair or customize each unit.

-3 Portable	28-29
-3A Portable White and Clear Coat Models	30-32
-4 Permanent	33-34
-4A Permanent White and Clear Coat Models	36-37
-5 Portable	38-39
-5A Portable	40-41
-High Rise Residential	42-44
-AT-1 and AT-2 Tube	45-46
-4 Inch Adjustable Tube	47
-4 Inch Tube (Non Adjustable)	48
-Residential Reel and Tube Sizing Charts	51-53
-Junior Commercial Reel	55-56
-Senior Commercial Reel	57-58
-High Rise Commercial	59-61
-4" Commercial Tubing	62

# Residential Products

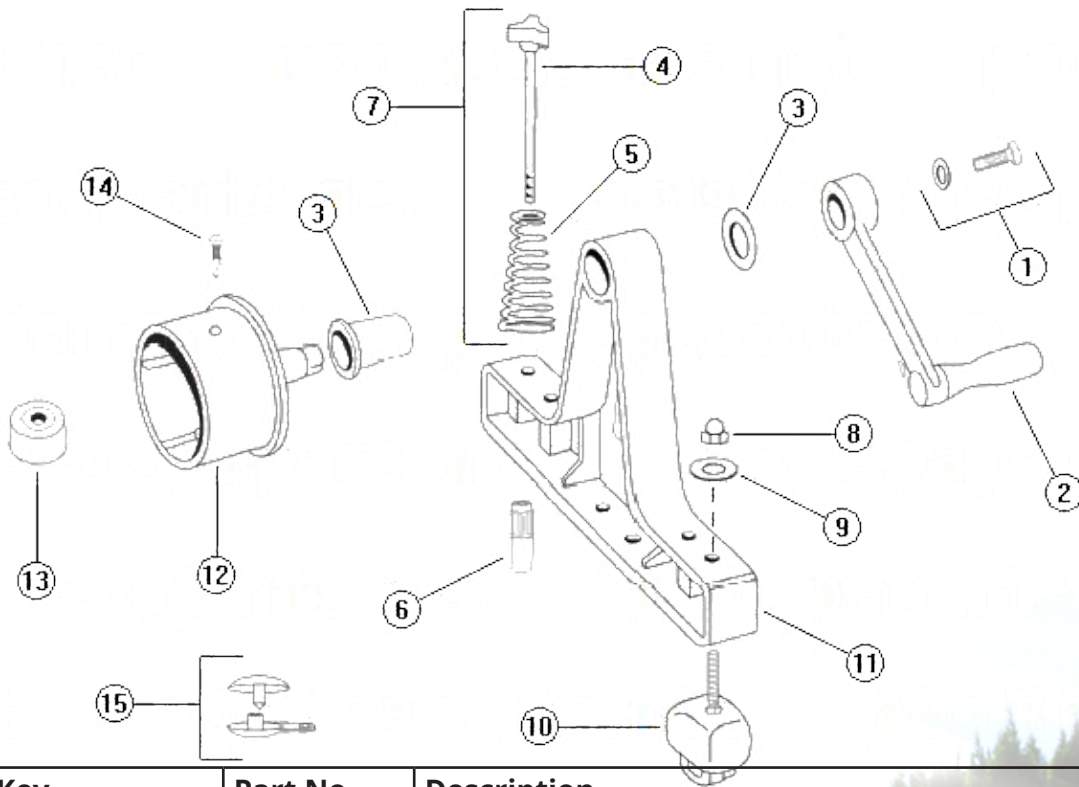
# 3 Portable Replacement Parts



## 3 Portable Solar Reel – Product Specifications

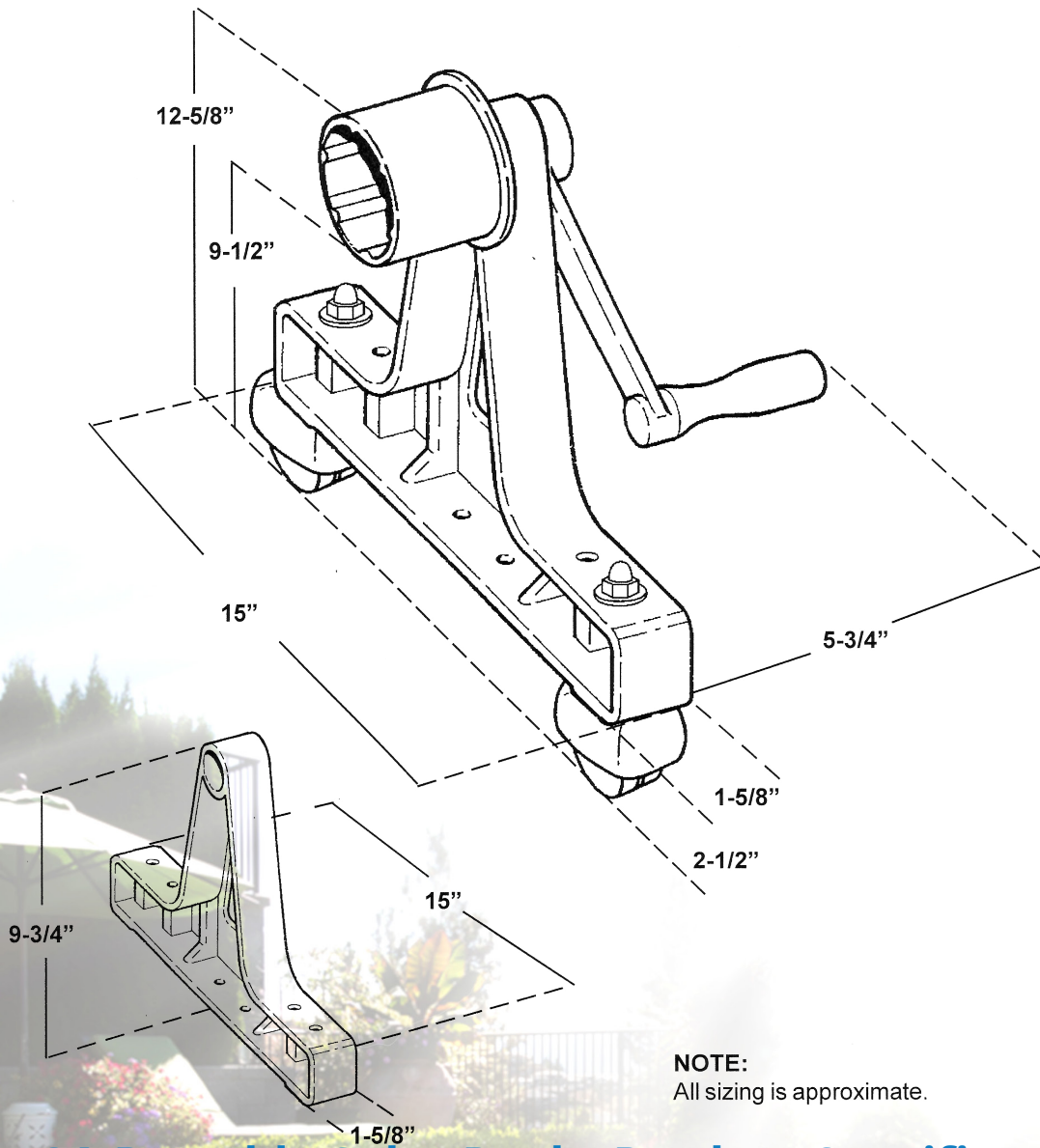
- Strong Die Cast Aluminum Construction
- Positive Anchoring System
- Fits pools up to 24' wide
- Light Weight Yet Extremely Strong
- Not Affected By Sunlight Or Freezing Cold
- Not Plastic
- Ten Year Warranty
- Fits pools up to a maximum length of 40' Long (Width dependent)
- Weight: 14 lb.
- Ships in a single box: 18"x 12"x 6"
- Case quantity = 3
- Pallet Quantity = 100
- Baked Enamel Finish Enhances Any Pool
- Quality Wheels For Ease of Portability
- Industrial Grade Hardware
- Made in Canada
- Available in Clear Coat or White
- Instructional videos available at [www.rockys.ca](http://www.rockys.ca)

# 3 Portable Replacement Parts



Key	Part No.	Description
1	505	5/16" S./S. Bolt/Washer
2	545	Small Handle
3	555	Plastic Washer and Bushing Set
3	555	Plastic Washer and Bushing Set
4	511	6" Anchor Bolts
5	517	S./S. Springs and Retainers
6	515	Drop in Anchors
6	518	6" Anchor Bolt Complete Set
7	518	6" Anchor Bolt Complete Set
8	523	3/8" Acorn Nut
9	525	3/8" Nut/Washer
10	579	2" Wheels (set of 2) with Hardware
10	583	2" Wheel Bag (set of 4) with Hardware
11	530	3 Frame
12	539	4" Hub
13	533	White Knob
14	501	Self Tap Screws (12)
15	549	Grommet Pack (12)
15	553	Grommet Pack (50)
15	554	Grommet Pack (100)
Not Shown	577	Universal Strap Kit (shown on page 22)
Not Shown	587	Vinyl Strapping 22' (shown on page 24)
Not Shown	589	Vinyl Strapping 36' (shown on page 25)
Not Shown	591	Vinyl Strapping - 150' Roll (shown on page 25)
Not Shown	593	Velcro 18" (shown on Page 25)

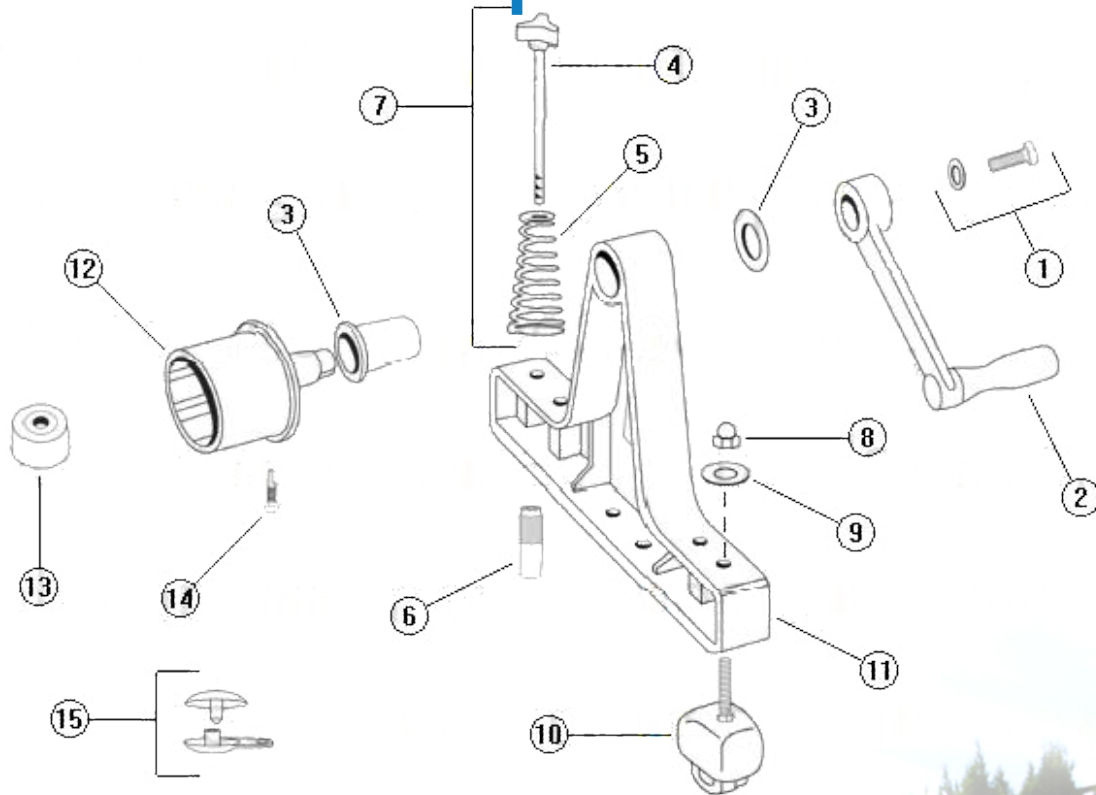
# 3A Portable Replacement Parts



## 3A Portable Solar Reel – Product Specifications

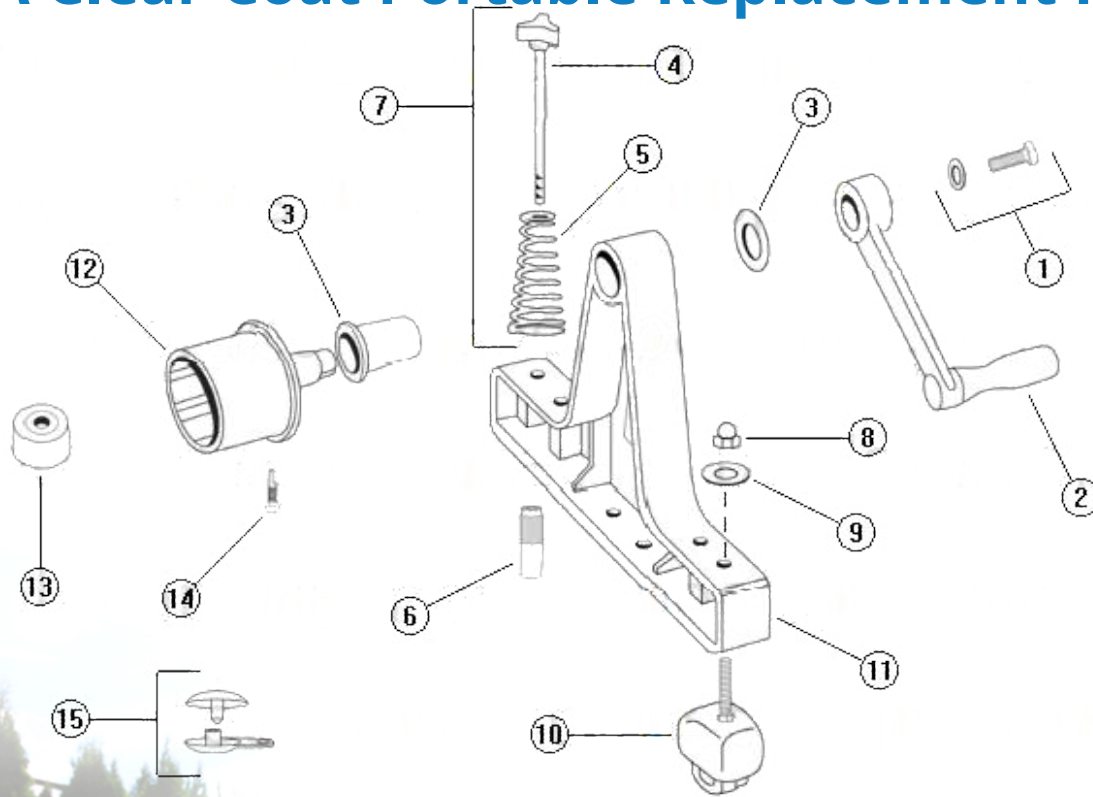
- Strong Die Cast Aluminum Construction
- Positive Anchoring System
- Fits pools up to 24' wide.
- Light Weight Yet Extremely Strong
- Not Affected By Sunlight Or Freezing Cold
- Not Plastic
- Ten Year Warranty
- Fits pools up to a maximum length of 45' Long (Width dependent)
- Weight: 12 lb.
- Ships in a single box: 18"x 12"x 6"
- Baked Enamel Finish Enhances Any Pool
- Quality Wheels For Ease of Portability
- Industrial Grade Hardware
- Made in Canada
- Available in Clear Coat or White
- Instructional videos available at [www.rockys.ca](http://www.rockys.ca)
- Pallet Quantity = 100
- Case quantity = 3

# 3A Portable Replacement Parts



Key	Part No.	Description
1	505	5/16" S./S. Bolt/Washer
2	545	Small Handle
3	555	Plastic Washer and Bushing Set
3	555	Plastic Washer and Bushing Set
4	511	6" Anchor Bolts
5	517	S./S. Springs and Retainers
6	515	Drop in Anchors
6	518	6" Anchor Bolt Complete Set
7	518	6" Anchor Bolt Complete Set
8	523	3/8" Acorn Nut
9	525	3/8" Nut/Washer
10	579	2" Wheels (set of 2) with Hardware
10	583	2" Wheel Bag (set of 4) with Hardware
11	530	3 Frame
12	543	3" Hub
13	533	White Knob
14	501	Self Tap Screws (12)
15	549	Grommet Pack (12)
15	553	Grommet Pack (50)
15	554	Grommet Pack (100)
Not Shown	577	Universal Strap Kit (shown on page 22)
Not Shown	587	Vinyl Strapping 22' (shown on page 24)
Not Shown	589	Vinyl Strapping 36' (shown on page 25)
Not Shown	591	Vinyl Strapping - 150' Roll (shown on page 25)
Not Shown	593	Velcro -18" (shown on page 25)

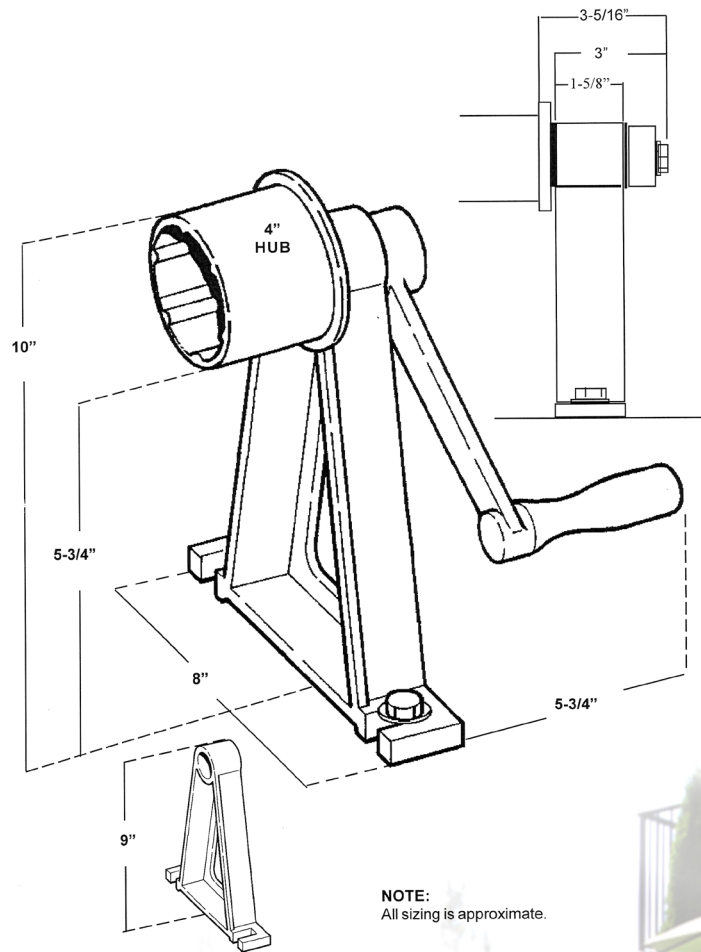
# 3A Clear Coat Portable Replacement Parts



Key	Part No.	Description
1	505	5/16" S./S. Bolt/Washer
2	545CC	Small Handle Clear Coat
3	555	Plastic Washer and Bushing Set
3	555	Plastic Washer and Bushing Set
4	511	6" Anchor Bolts
5	517	S./S. Springs and Retainers
6	515	Drop in Anchors
6	518	6" Anchor Bolt Complete Set
7	518	6" Anchor Bolt Complete Set
8	523	3/8" Acorn Nut
9	525	3/8" Nut/Washer
10	579	2" Wheels (set of 2) with Hardware
10	583	2" Wheel Bag (set of 4) with Hardware
11	530CC	3 Frame Clear Coat
12	543CC	3" Hub Clear Coat
13	533CC	Clear Coat Knob
14	501	Self Tap Screws (12)
15	549	Grommet Pack (12)
15	553	Grommet Pack (50)
15	554	Grommet Pack (100)
Not Shown	577	Universal Strap Kit (shown on page 22)
Not Shown	587	Vinyl Strapping 22' (shown on page 24)
Not Shown	589	Vinyl Strapping 36' (shown on page 25)
Not Shown	591	Vinyl Strapping - 150' Roll (shown on page 25)
Not Shown	593	Velcro -18" (shown on page 25)



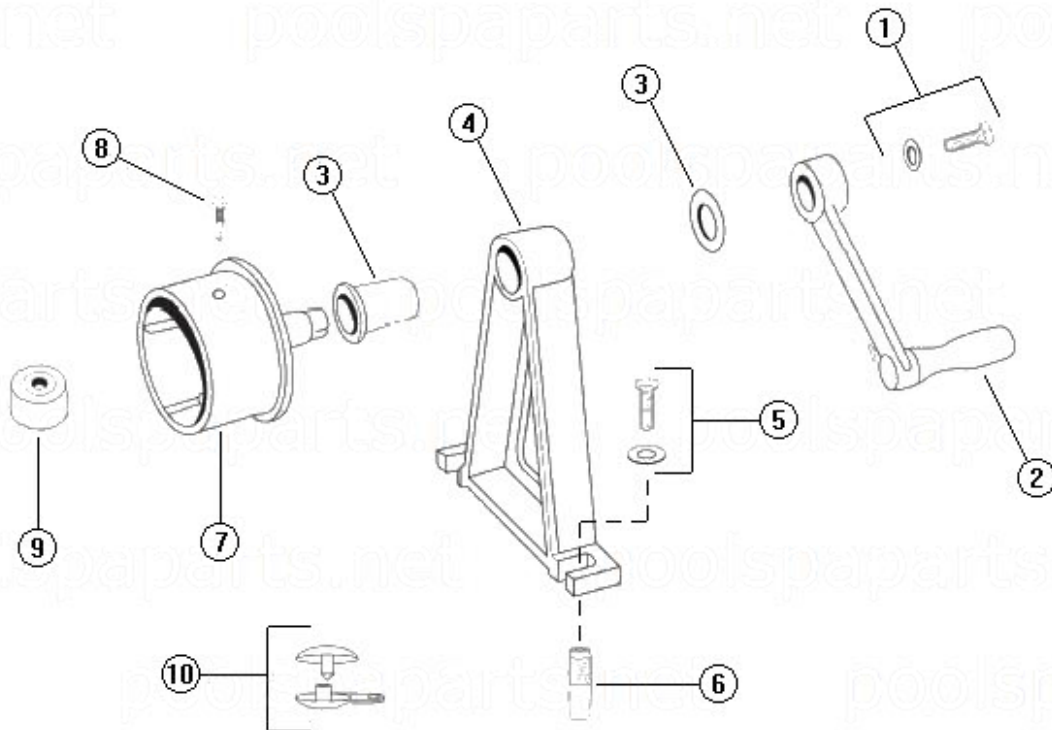
# 4 Permanent



## 4 Permanent Solar Reel – Product Specifications

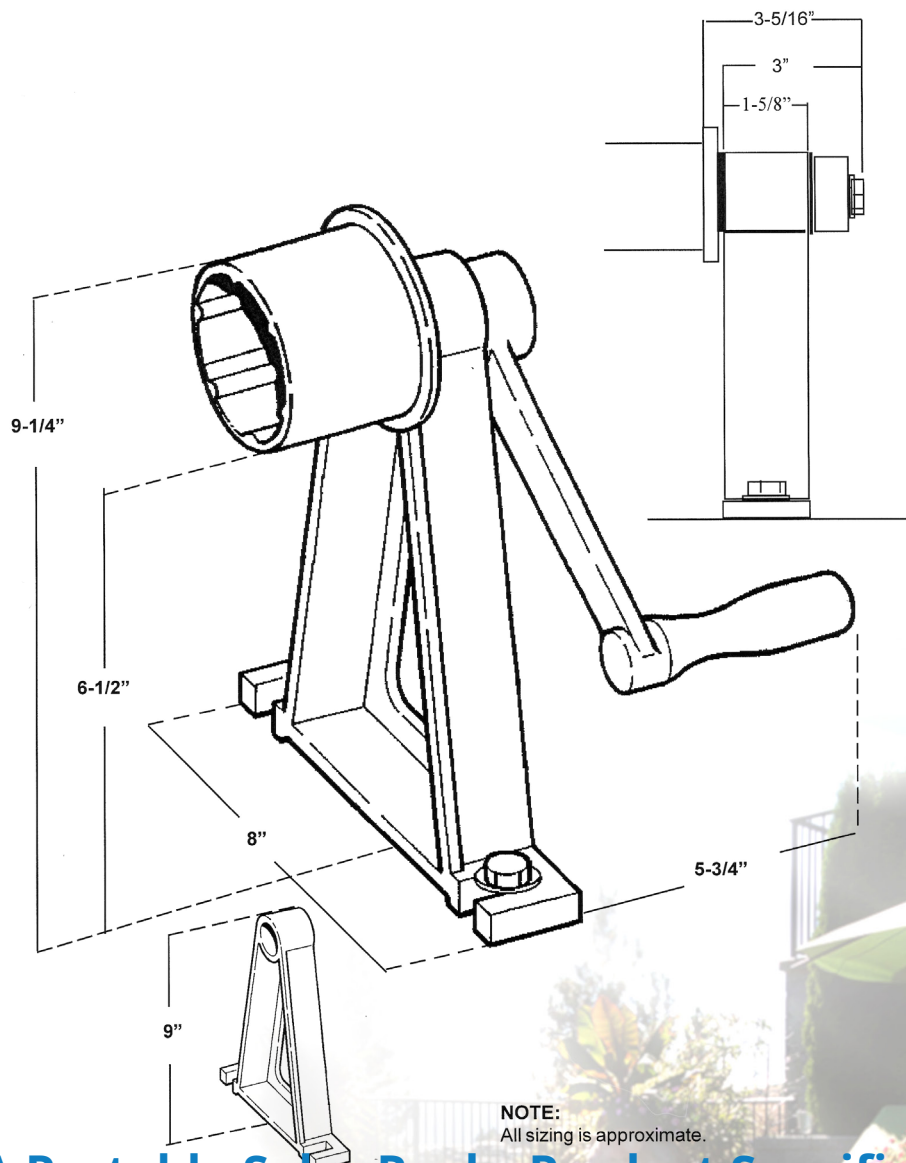
- Strong Die Cast Aluminum Construction
- Anchors To Almost Any Surface
- Easy To Use
- Not Affected By Sunlight Or Freezing Cold
- Not Plastic
- Ten Year Warranty
- Ideal For Swim Spas And Fitness Pools
- Weight: 10 lb.
- Ships in a single box: 18"x 12"x 6"
- Case quantity = 3
- Pallet Quantity = 100
- Baked Enamel Finish Enhances Any Pool
- Light Weight Yet Extremely Strong
- Industrial Grade Hardware
- Made in Canada
- Fits under 15" diving boards
- Instructional videos available at [www.rockys.ca](http://www.rockys.ca)
- Fits pools up to a maximum length of 35' Long (width dependent)

# 4 Permanent Replacement Parts



Key	Part No.	Description
1	505	5/16" S./S. Bolt/Washer
2	545	Small Handle
3	555	Plastic Washer and Bushing Set
3	555	Plastic Washer and Bushing Set
4	531	4 Frame
5	507	3/8"x 1" Bolt/ Washer (2)
6	515	Drop In Anchors (2)
7	539	4" Hub
8	501	Self Tap Screws (12)
9	533	White Knob
10	549	Grommet Pack (12)
10	553	Grommet Pack (50)
10	554	Grommet Pack (100)
Not Shown	577	Universal Strap Kit (shown on page 22)
Not Shown	587	Vinyl Strapping 22' ( shown on page 24)
Not Shown	589	Vinyl Strapping 36' (shown on page 25)
Not Shown	591	Vinyl Strapping - 150' Roll (shown on page 25)
Not Shown	593	Velcro -18" (shown on page 25)

# 4A Permanent

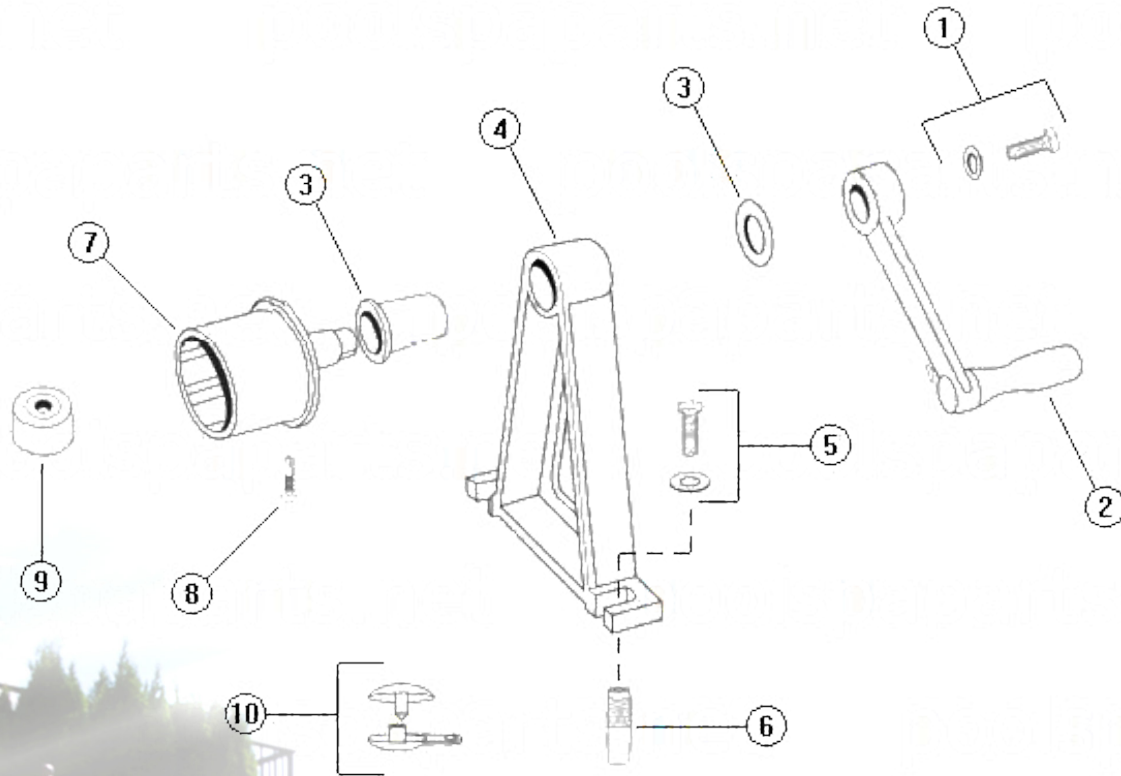


NOTE:  
All sizing is approximate.

## 4A Portable Solar Reel – Product Specifications

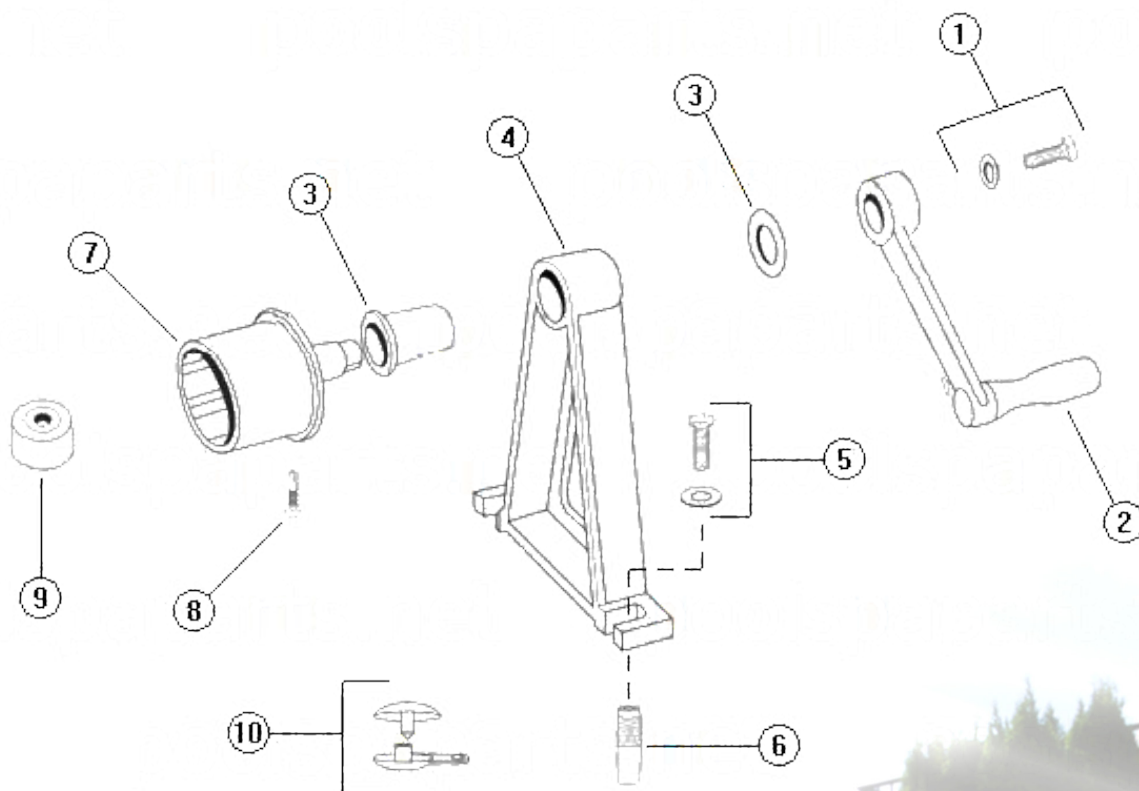
- Strong Die Cast Aluminum Construction
- Anchors To Almost Any Surface
- Easy To Use
- Not Affected By Sunlight Or Freezing Cold
- Not Plastic
- Made in Canada
- Fits pools up to a maximum length of 40' Long (width dependent)
- Weight: 9 lb.
- Ships in a single box: 18"x 12" x 6"
- Case quantity = 3
- Pallet Quantity = 100
- Baked Enamel Finish Enhances Any Pool
- Light Weight Yet Extremely Strong
- Industrial Grade Hardware
- Fits under 15" diving boards
- Ten Year Warranty
- Ideal For Swim Spas And Fitness Pools
- Instructional videos available at [www.rockys.ca](http://www.rockys.ca)

# 4A Permanent Replacement Parts



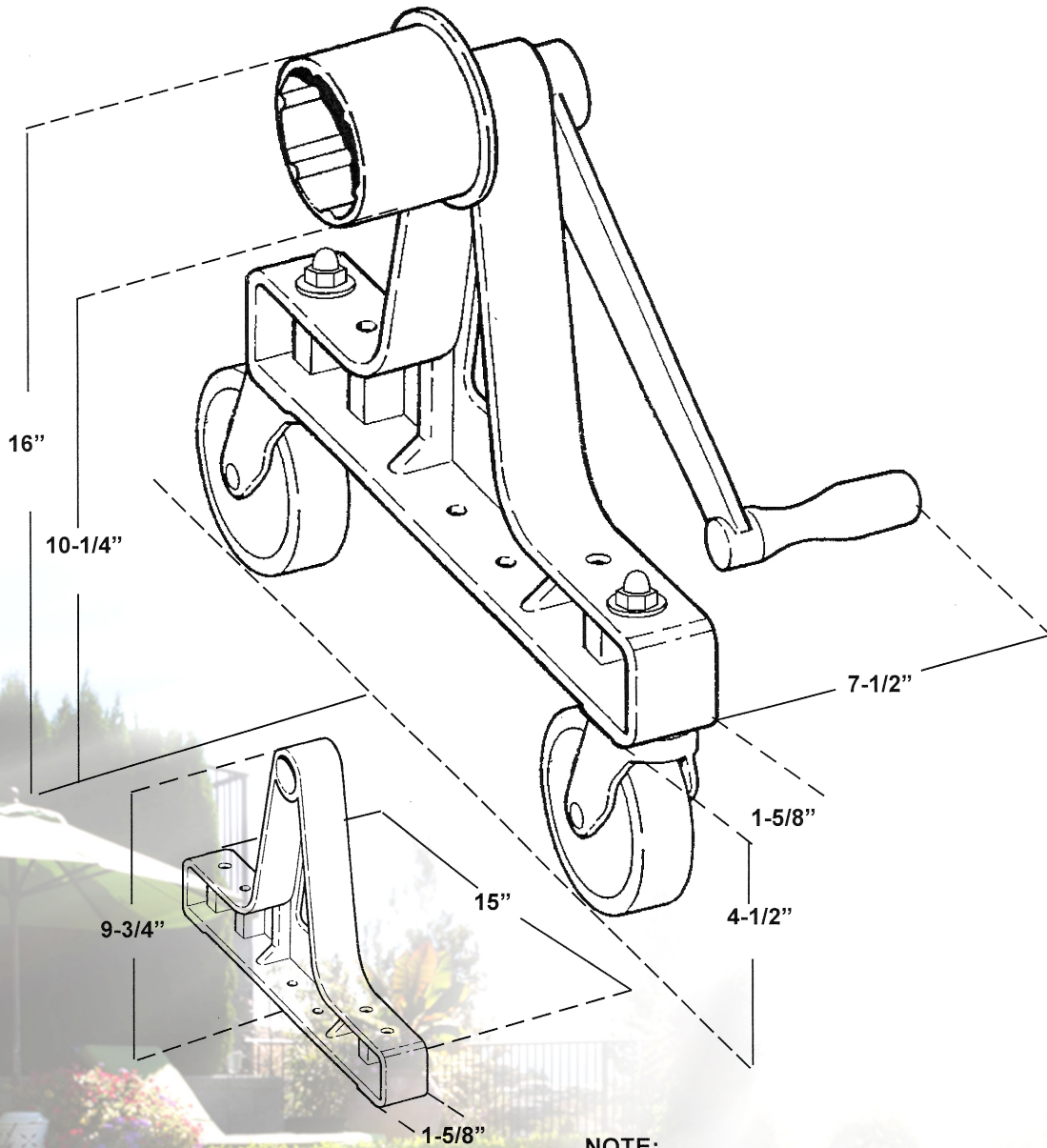
Key	Part No.	Description
1	505	5/16" S./S. Bolt/Washer
2	545	Small Handle
3	555	Plastic Washer and Bushing Set
3	555	Plastic Washer and Bushing Set
4	531	4 Frame
5	507	3/8"x 1" Bolt/ Washer (2)
6	515	Drop In Anchors (2)
7	543	3" Hub
8	501	Self Tap Screws (12)
9	533	White Knob
10	549	Grommet Pack (12)
10	553	Grommet Pack (50)
10	554	Grommet Pack (100)
Not Shown	577	Universal Strap Kit (shown on page 22)
Not Shown	587	Vinyl Strapping 22' (shown on page 24)
Not Shown	589	Vinyl Strapping 36' (shown on page 25)
Not Shown	591	Vinyl Strapping - 150' Roll (shown on page 25)
Not Shown	593	Velcro -18" (shown on page 25)

# 4A Permanent Clear Coat Replacement Parts



Key	Part No.	Description
1	505	5/16" S./S. Bolt/Washer
2	545CC	Small Handle Clear Coat
3	555	Plastic Washer and Bushing Set
3	555	Plastic Washer and Bushing Set
4	531CC	4 Frame Clear Coat
5	507	3/8"x 1" Bolt/ Washer (2)
6	515	Drop In Anchors (2)
7	543CC	3" Hub Clear Coat
8	501	Self Tap Screws (12)
9	533CC	Clear Coat Knob
10	549	Grommet Pack (12)
10	553	Grommet Pack (50)
10	554	Grommet Pack (100)
Not Shown	577	Universal Strap Kit (shown on page 22)
Not Shown	587	Vinyl Strapping 22' (shown on page 24)
Not Shown	589	Vinyl Strapping 36' (shown on page 25)
Not Shown	591	Vinyl Strapping - 150' Roll (shown on page 25)
Not Shown	593	Velcro -18" (shown on page 25)

# 5 Portable



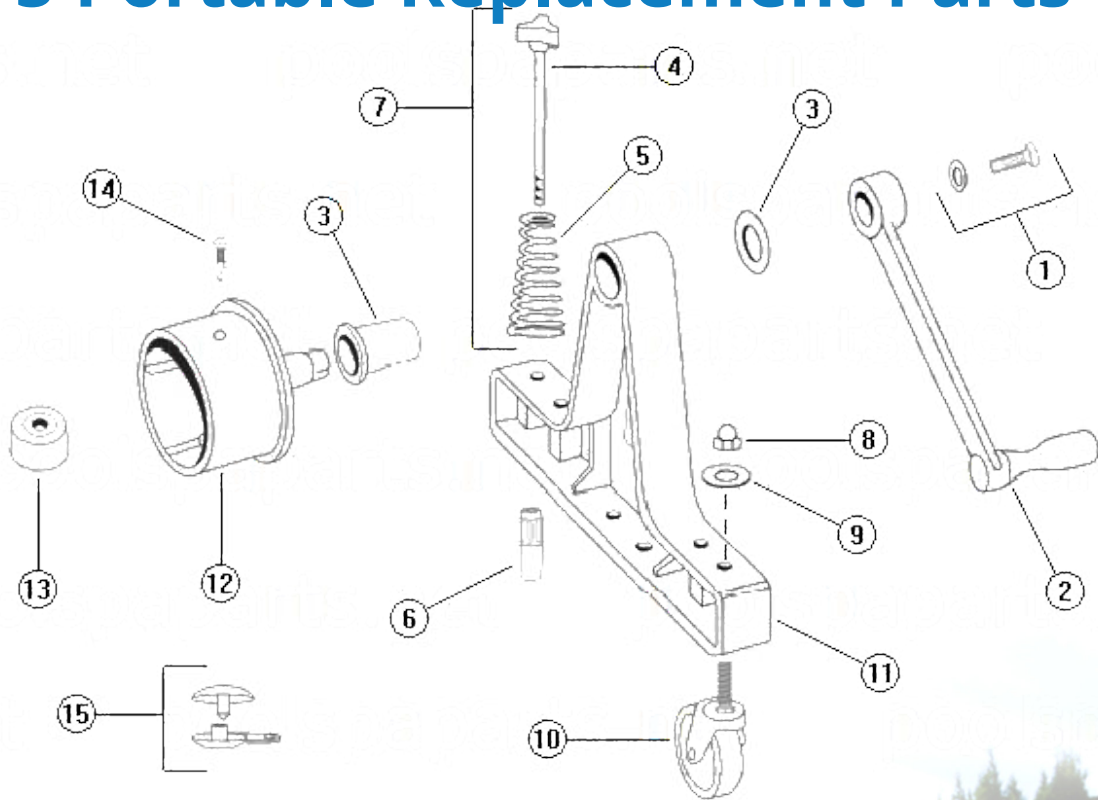
**NOTE:**

All sizing is approximate.  
Wheels might differ from those shown.

## 5 Portable Solar Reel – Product Specifications

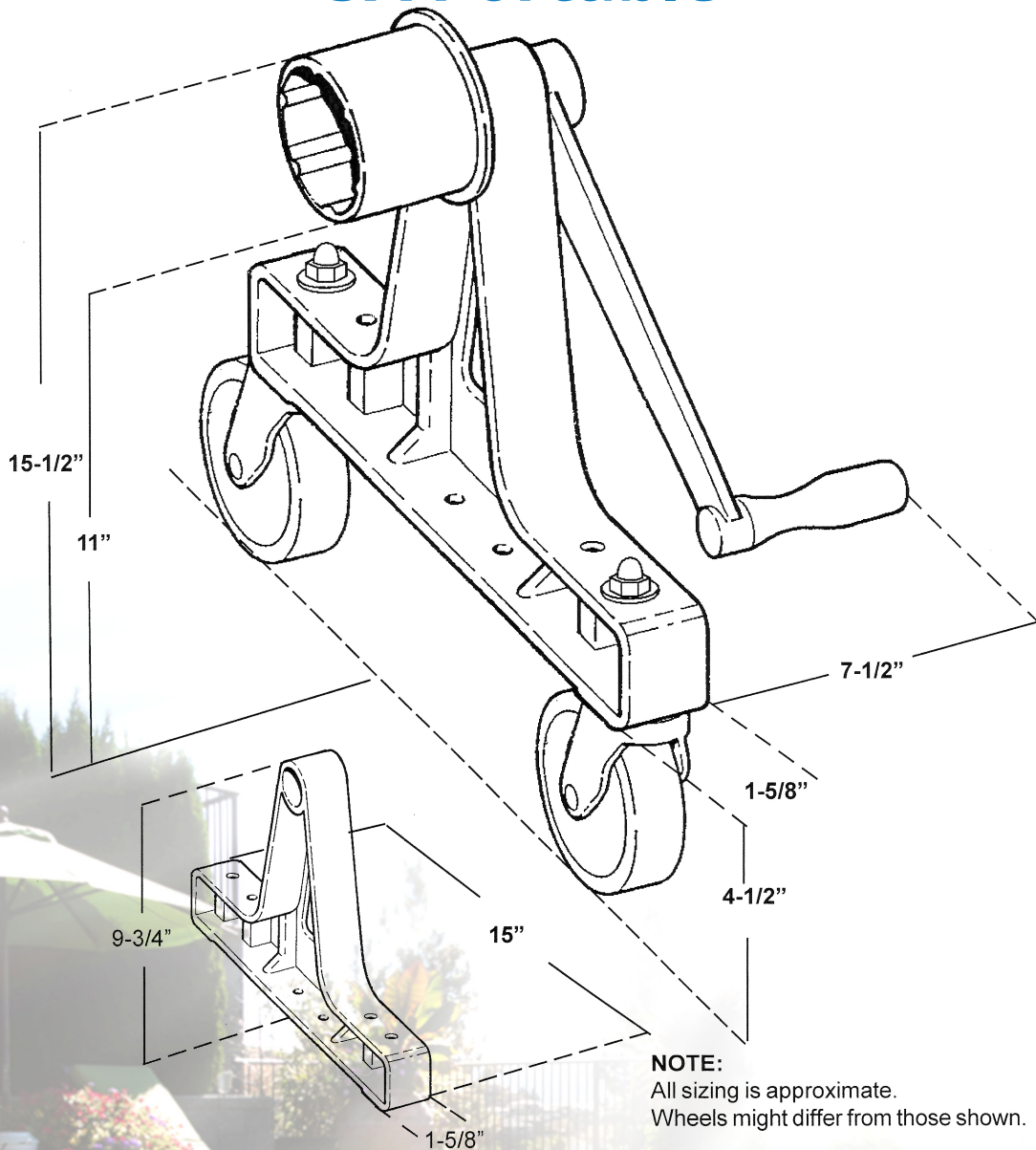
- Strong Die Cast Aluminum Construction
- Positive Anchoring System
- Easy To Use
- Light Weight Yet Extremely Strong
- Not Affected By Sunlight Or Freezing Cold
- Not Plastic
- Ten Year Warranty
- Weight: 16 lb.
- Ships in a single box: 18"x 12"x 6"
- Case quantity = 3
- Pallet Quantity = 100
- Baked Enamel Finish Enhances Any Pool
- Quality 4" Wheels For Ease of Portability
- Industrial Grade Hardware
- Made in Canada
- Fits pools up to a maximum length of 60' Long (width dependent)
- Instructional videos available at [www.rockys.ca](http://www.rockys.ca)

# 5 Portable Replacement Parts



Key	Part No.	Description
1	505	5/16" S./S. Bolt/Washer
2	547	Large Handle
3	555	Plastic Washer and Bushing Set
3	555	Plastic Washer and Bushing Set
4	513	8" Anchor Bolts
5	524	S./S. Springs and Retainers 5 inch
6	515	Drop in Anchors
6	520	8" Anchor Bolt Complete Set
7	520	8" Anchor Bolt Complete Set
8	523	3/8" Acorn Nut
9	525	3/8" Nut/Washer
10	581	4" Wheels (set of 2) with Hardware
10	585	4" Wheel Bag (set of 4) with Hardware
11	530	3 Frame
12	539	4" Hub
13	533	White Knob
14	501	Self Tap Screws (12)
15	549	Grommet Pack (12)
15	553	Grommet Pack (50)
15	554	Grommet Pack (100)
Not Shown	577	Universal Strap Kit (shown on page 22)
Not Shown	587	Vinyl Strapping 22' (shown on page 24)
Not Shown	589	Vinyl Strapping 36' (shown on page 25)
Not Shown	591	Vinyl Strapping - 150' Roll (shown on page 25)
Not Shown	593	Velcro -18" (shown on page 25)

# 5A Portable

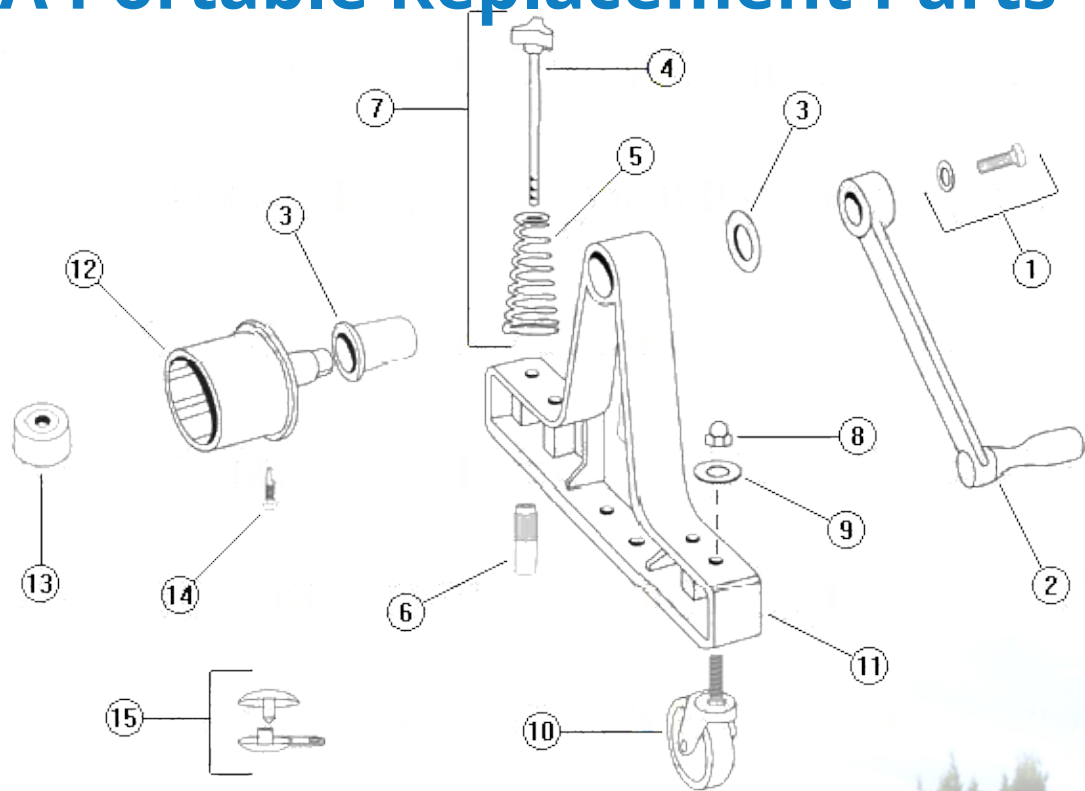


## 5A Portable Solar Reel – Product Specifications

- Strong Die Cast Aluminum Construction
- Positive Anchoring System
- Easy To Use
- Light Weight Yet Extremely Strong
- Not Affected By Sunlight Or Freezing Cold
- Not Plastic
- Ten Year Warranty
- Weight: 15 lb.
- Ships in a single box: 18"x 12"x 6"
- Case quantity = 3
- Pallet Quantity = 100
- Baked Enamel Finish Enhances Any Pool
- Quality 4" Wheels For Ease of Portability
- Industrial Grade Hardware
- Made in Canada
- Fits pools up to a maximum length of 65' Long (width dependent)
- Instructional videos available at [www.rockys.ca](http://www.rockys.ca)

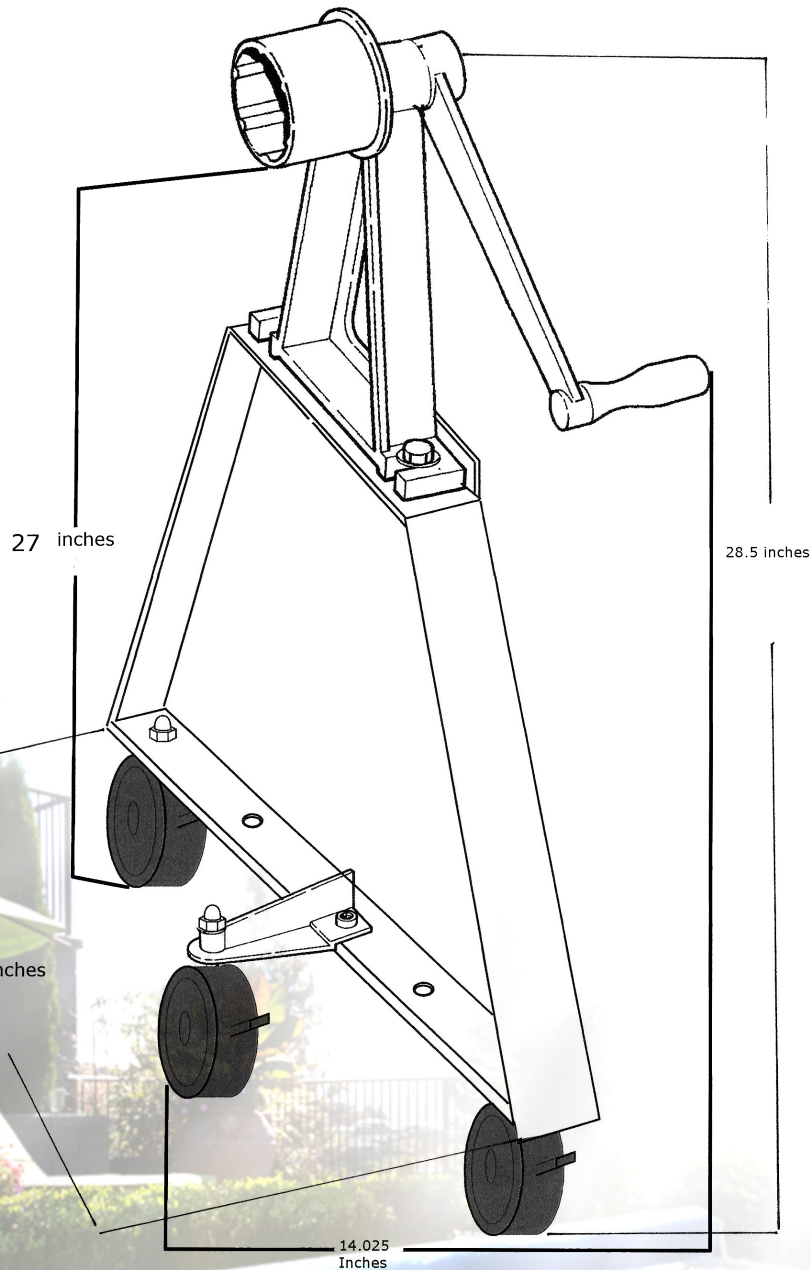


# 5A Portable Replacement Parts



Key	Part No.	Description
1	505	5/16" S./S. Bolt/Washer
2	547	Large Handle
3	555	Plastic Washer and Bushing Set
3	555	Plastic Washer and Bushing Set
4	513	8" Anchor Bolts
5	524	S./S. Springs and Retainers 5"
6	515	Drop in Anchors
6	520	8" Anchor Bolt Complete Set
7	520	8" Anchor Bolt Complete Set
8	523	3/8" Acorn Nut
9	525	3/8" Nut/Washer
10	581	4" Wheels (set of 2) with Hardware
10	585	4" Wheel Bag (set of 4) with Hardware
11	530	3 Frame
12	543	3" Hub
13	533	White Knob
14	501	Self Tap Screws (12)
15	549	Grommet Pack (12)
15	553	Grommet Pack (50)
15	554	Grommet Pack (100)
Not Shown	577	Universal Strap Kit (shown on page 22)
Not Shown	587	Vinyl Strapping 22' (shown on page 24)
Not Shown	589	Vinyl Strapping 36' (shown on page 25)
Not Shown	591	Vinyl Strapping - 150' Roll (shown on page 25)
Not Shown	593	Velcro -18" (shown on page 25)

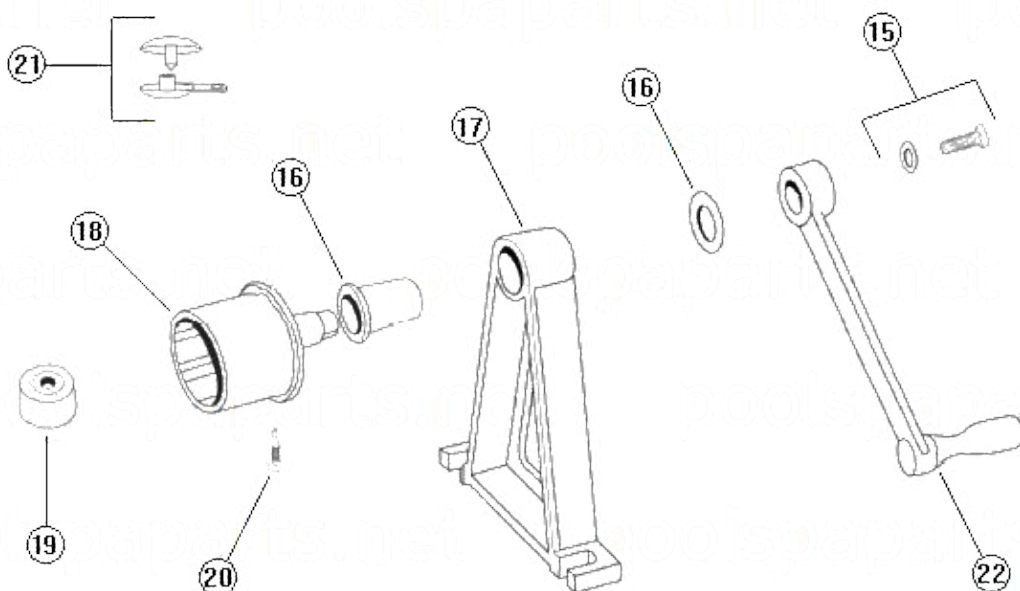
# High Riser Residential



## High Riser Portable Solar Reel – Product Specifications

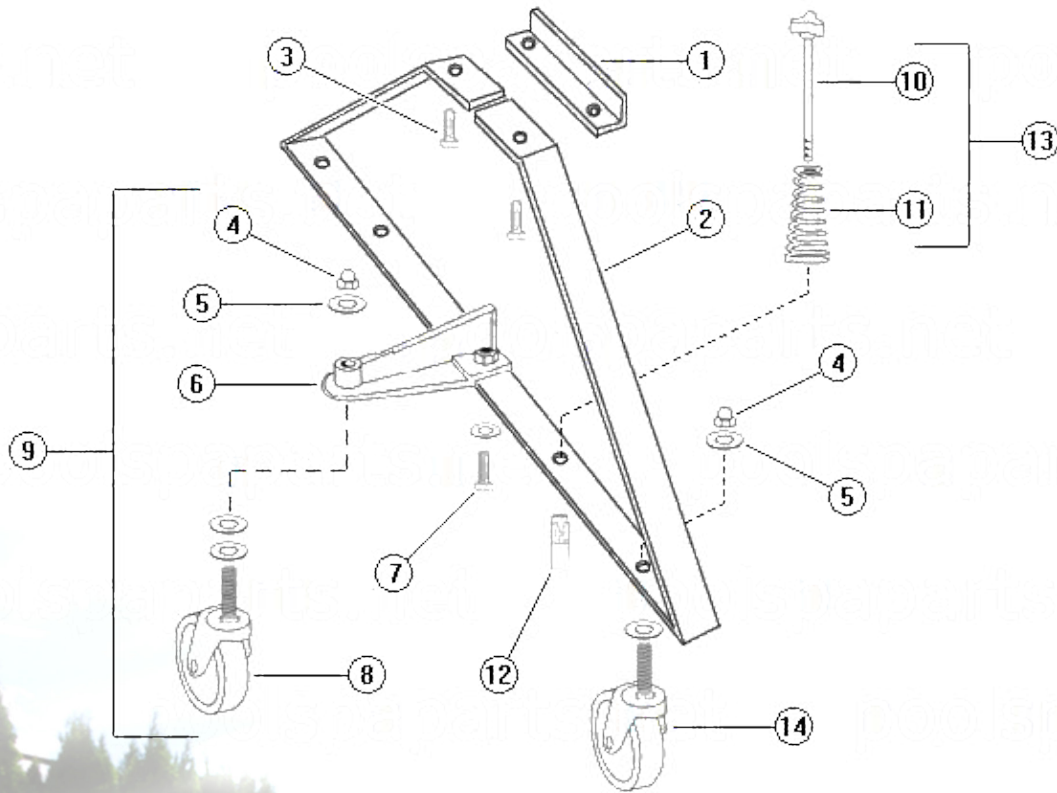
- Strong Die Cast Aluminum Construction
- Positive Anchoring System
- Quality 4" Wheels For Ease of Portability
- Industrial Grade Hardware
- Not Plastic
- Ten Year Warranty
- Ships in a single box: 27"x 19"x 11"
- Pallet Quantity = 15
- Weight: 25 lb.
- Instructional videos available at [www.rockys.ca](http://www.rockys.ca)
- Baked Enamel Finish Enhances Any Pool
- Easy To Use
- Light Weight Yet Extremely Strong
- Not Affected By Sunlight Or Freezing Cold
- Made in Canada
- Long Handle for easy operation
- Fits pools up to a maximum length of 100' (width dependent)
- 3rd Wheel For Extra Stability

# High Riser Residential Replacement Parts



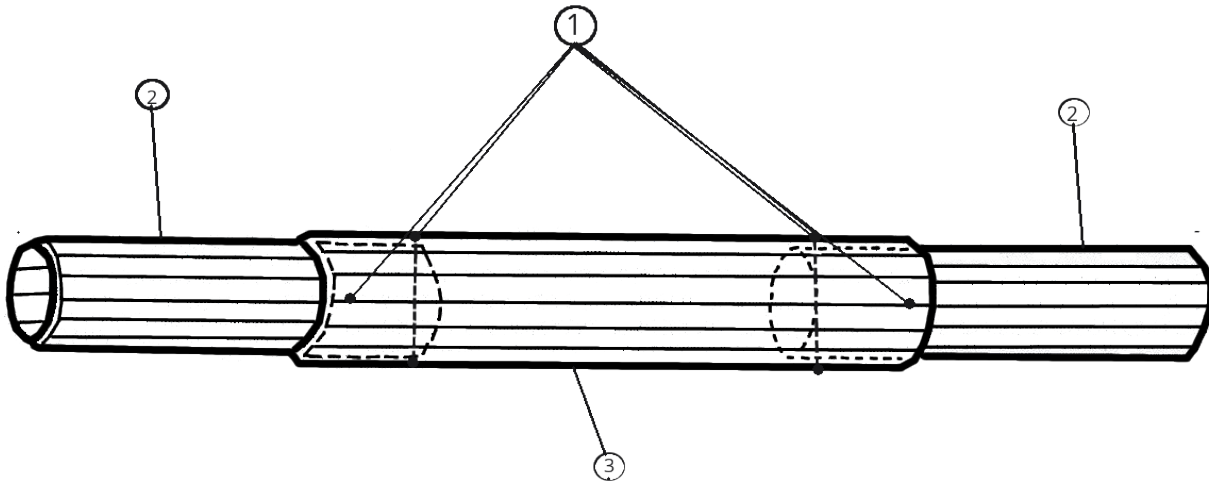
Key	Part No.	Description
15	505	5/16" S./S. Bolt/Washer
16	555	Plastic Washer and Bushing Set
16	555	Plastic Washer and Bushing Set
17	531	4 Frame
18	543	3" Hub
19	533	White Knob
20	501	Self Tap Screws (12)
21	549	Grommet Pack (12)
21	553	Grommet Pack (50)
21	554	Grommet Pack (100)
22	547	Large Handle
Not Shown	577	Universal Strap Kit (shown on page 22)
Not Shown	587	Vinyl Strapping 22' (shown on page 24)
Not Shown	589	Vinyl Strapping 36' (shown on page 25)
Not Shown	591	Vinyl Strapping - 150' Roll (shown on page 25)
Not Shown	593	Velcro -18" (shown on page 25)

# High Riser Residential Replacement Parts



Key	Part No.	Description
1	538	High Riser Retainer x 1
2	532	High Riser Frame x 1
3	509	3/8" x 1-1/2" SS Bolt/Washer and Nut Set
4	523	3/8" Acorn Nut
5	525	3/8" Nut/Washer
6	535	3rd Leg (without Wheel)
7	507	3/8" x 1" SS Bolt/Washer
8	582	3rd Leg Wheel Bag (Set of 2) with Hardware
8	586	3rd Leg Replacement Wheel
9	537	3rd Leg with Wheel
10	511	6" Anchor Bolts
11	517	Stainless Steel Springs and Retainers
12	515	Drop In Anchors
13	518	6 Inch Anchor Bolt Complete Set
14	584	High Rise Wheel Bag

# AT-1 Residential Tube Replacement Parts



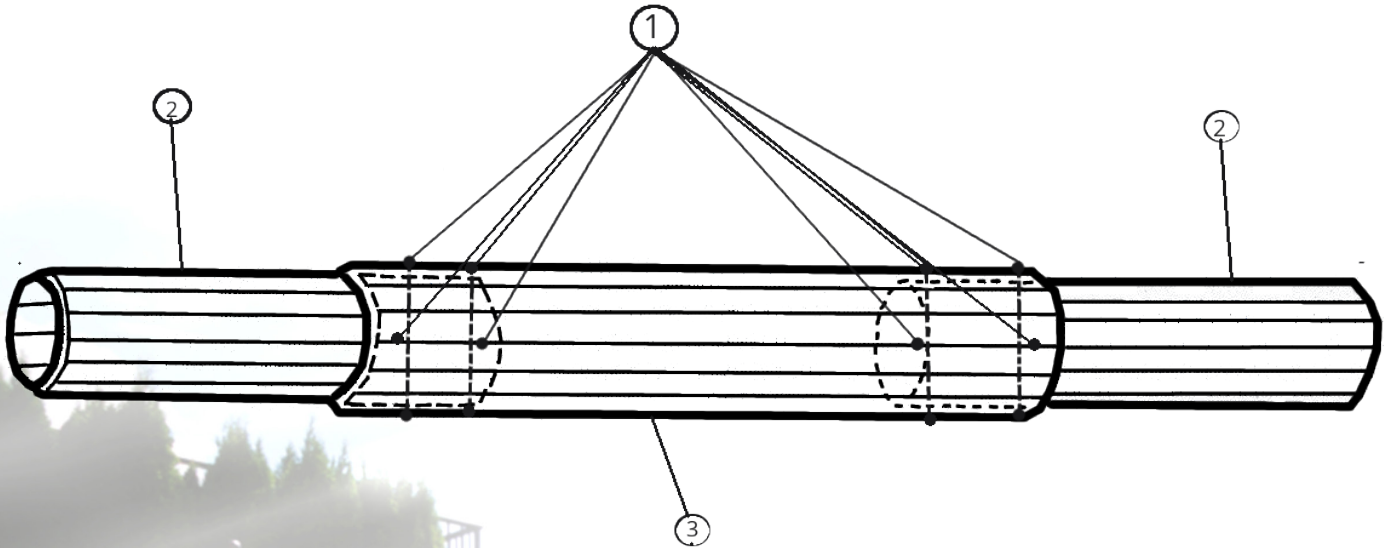
Key	Part No.	Description
1	519	Set of four 3-3/4" Bolts and four Nylock Washers
2	357	AT-1 Inner Tube
3	359	AT-1 Outer Tube
Not Shown	323	AT-1 Full Boxed Tube Set

## AT-1 Tube – Product Specifications

- Extruded Aluminum Construction
- Adjusts from 15' up to 21'
- Fits pools that are up to 20' wide
- Industrial Grade Hardware
- Not Plastic
- Weight: 25 lb.
- Ships in a single box: 93"x 7"x 4"
- Pallet Quantity = 90

- Clear Anodized Satin Finish
- Easy To Assemble
- Light Weight Yet Extremely Strong
- Not Affected By Sunlight Or Freezing Cold
- Made in Canada
- Instructional videos available at [www.rockys.ca](http://www.rockys.ca)

# AT-2 Residential Tube Replacement Parts

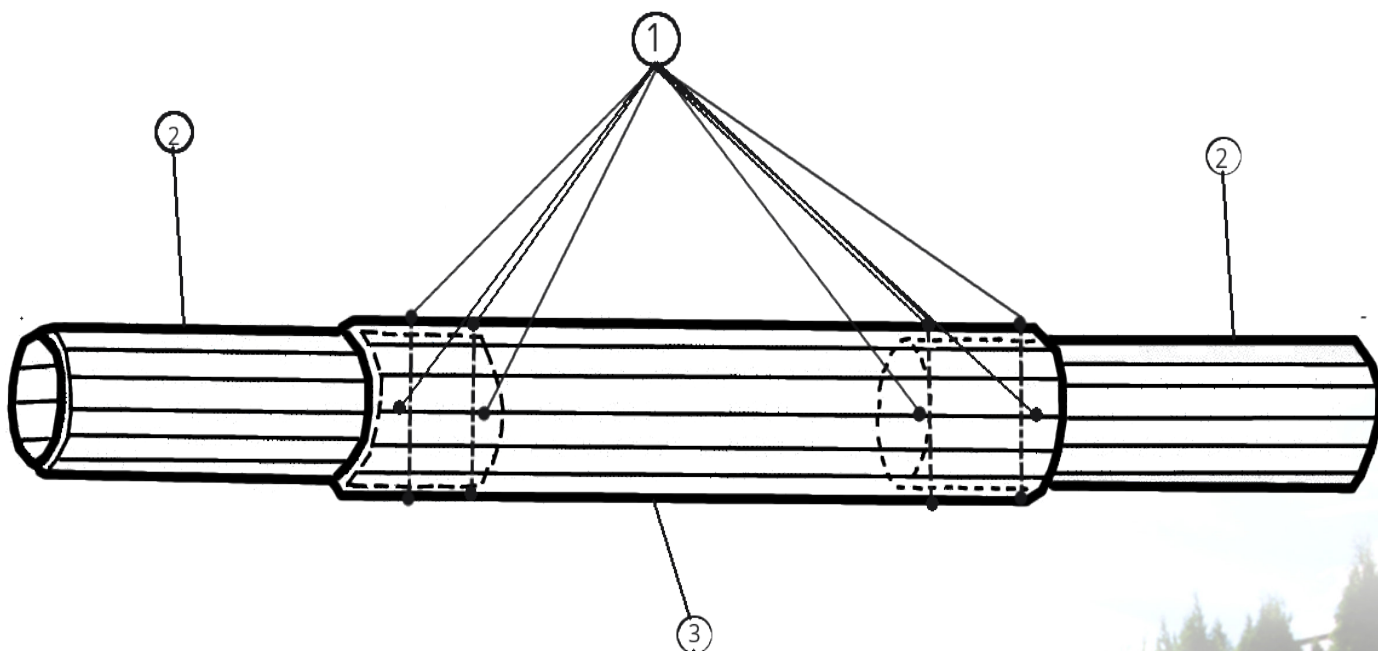


Key	Part No.	Description
1	521	Set of eight 3-3/4" Bolts and eight Nylock Washers
2	361	AT-2 Inner Tube
3	363	AT-2 Outer Tube
Not Shown	325	AT-2 Full Boxed Tube Set

## AT-2 Tube – Product Specifications

- Extruded Aluminum Construction
- Adjusts from 17' up to 25'
- Fits pools that are up to 24' wide
- Industrial Grade Hardware
- Not Plastic
- Weight: 30 lb.
- Ships in a single box: 107"x 7"x 4"
- Pallet Quantity = 90
- Clear Anodized Satin Finish
- Easy To Assemble
- Light Weight Yet Extremely Strong
- Not Affected By Sunlight Or Freezing Cold
- Made in Canada
- Instructional videos available at [www.rockys.ca](http://www.rockys.ca)

# 4" Adjustable Tube Replacement Parts

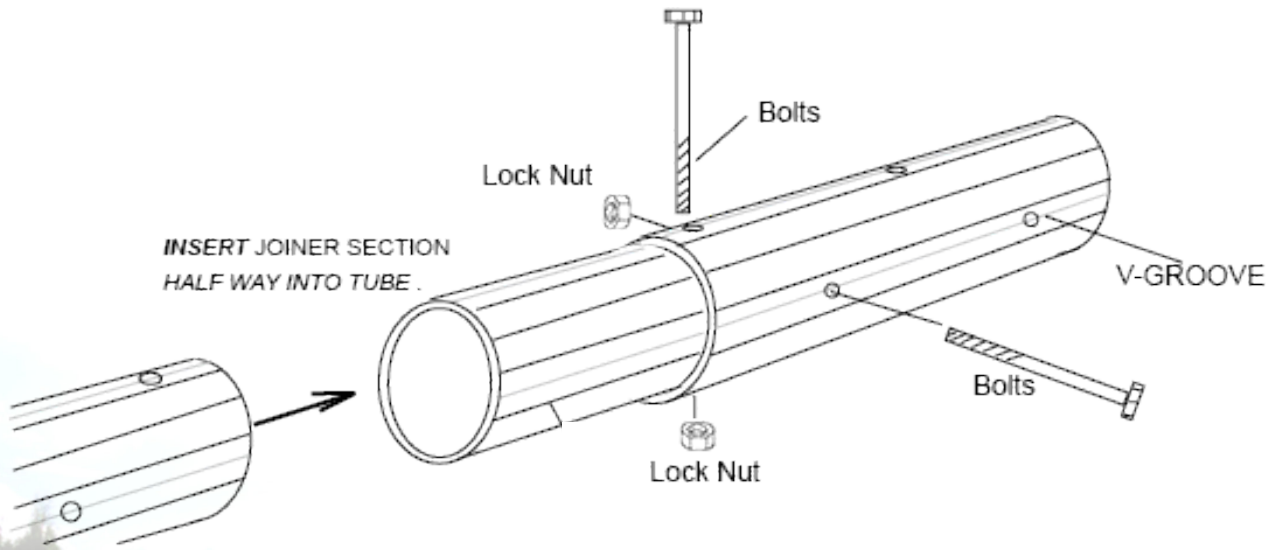


Key	Part No.	Description
1	526	4" Adjustable Tube Hardware Bag
2	383	8 foot 4 inch Tube
3	388	4" Adjustable Tube Outer
Not Shown	327	4" Adjustable Tube Full Boxed Tube Set

## 4" Adjustable Tube – Product Specifications

- Extruded Aluminum Construction
- Adjusts from 16' up to 23'
- Fits pools that are up to 22' wide
- Industrial Grade Hardware
- Fits Rocky's 4" Hubs
- Made in Canada
- Weight: 50 lb.
- Ships in a single box: 107"x 11"x 6"
- Pallet Quantity = 30
- Clear Anodized Satin Finish
- Easy To Assemble
- Light Weight Yet Extremely Strong
- Not Affected By Sunlight Or Freezing Cold
- Commercial Grade-Not Plastic
- Ideal for longer pools
- Instructional videos available at [www.rockys.ca](http://www.rockys.ca)

# 4 Inch Tubing (Non Adjustable)



**Call Rocky's for part information for the 4 Inch Tubing.  
1-800-663-8705**

These tubes are made to order so the tubes vary in size. The only parts that are the same on the 4 Inch (non adjustable) Tubing are the Bolts that are used to assemble the Tube. If you need to replace the Bolts please order Part # 522 Commercial Hardware Bag seen on page 16.

## 4 Inch Tubing – Product Specifications

- Extruded Aluminum Construction
- Built to Order
- Fits pools that are up to 32' wide
- Industrial Grade Hardware
- Fits Rocky's 4" Hubs
- No Plastic Parts
- Ideal for larger pools
- Can be used on any 4" system (Residential or Commercial)
- Check the end unit you are looking at to see what the maximum tube length is for that specific system. Pages 5 to 11
- Ships in one or two boxes size dependent. (Call Rocky's for information on packaging)  
1-800-663-8705
- Instructional videos available at [www.rockys.ca](http://www.rockys.ca)
- Clear Anodized Satin Finish
- Easy To Assemble
- Light Weight Yet Extremely Strong
- Not Affected By Sunlight Or Freezing Cold
- Commercial Grade
- Made in Canada
- Weight: Varies by length





This page left intentionally blank.

# Residential Sizing Charts

The following charts show the maximum length of tube that can be used with each of Rocky's Residential Reel Systems.

The Charts also show the maximum length of solar cover that can safely be used with each length of tube.

These charts are a great reference tool that can be used to accurately recommend a reel system and tube combination based off the most extreme dimensions of a residential swimming pool.

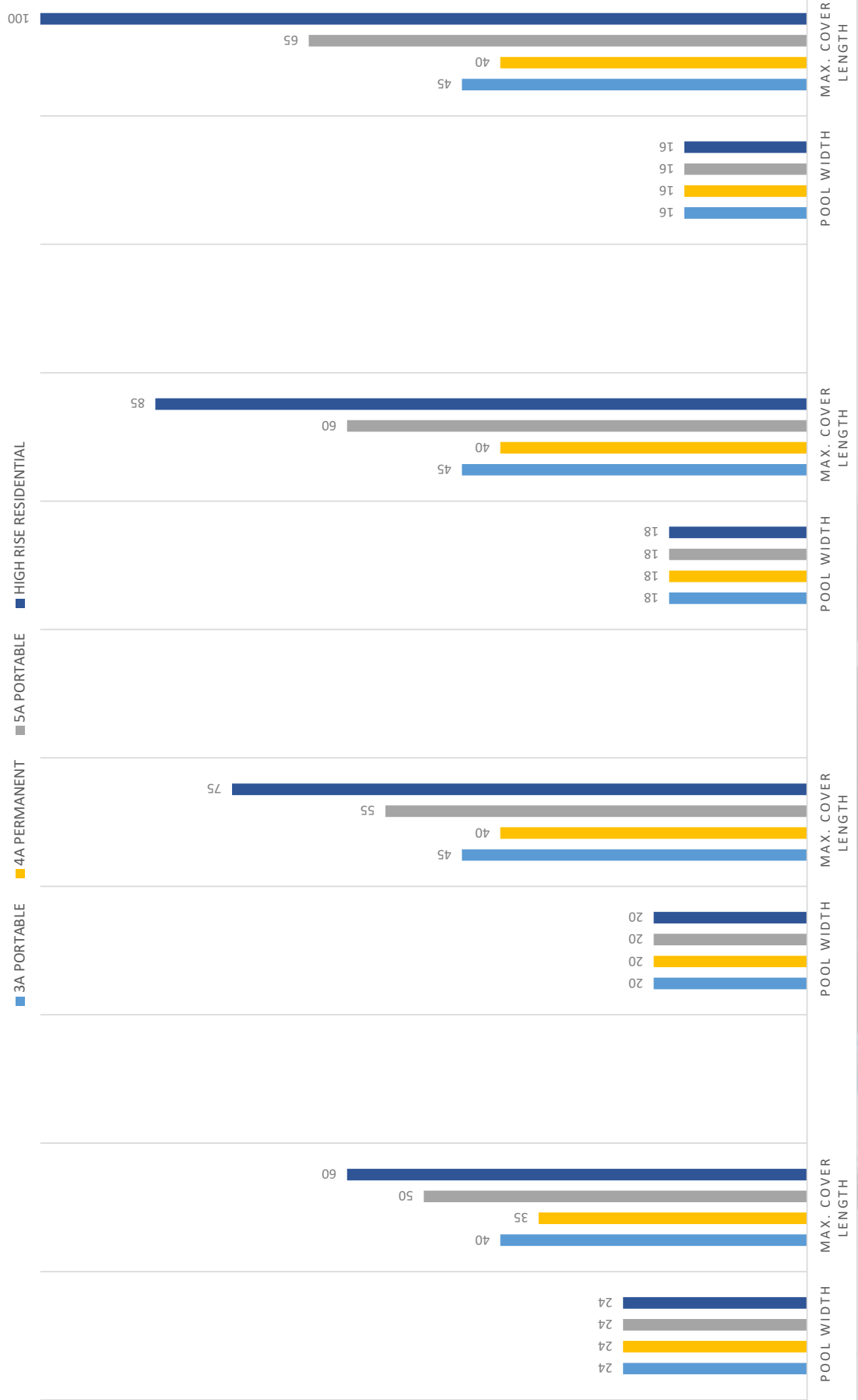
3" Adjustable Tubing (AT-1 and 2)	Page 51
4" Adjustable Tubing	Page 52
4" Tubing ( non adjusting)	Page 53

# 3" Adjustable Tube (AT-1 & 2) Sizing Chart

## 3" Adjustable Tube (AT-1 & 2) Sizing Chart

ROCKY'S 3" ADJUSTABLE REEL TUBE SIZING CHART

■ 3A PORTABLE   
 ■ 4A PERMANENT   
 ■ 5A PORTABLE   
 ■ HIGH RISE RESIDENTIAL

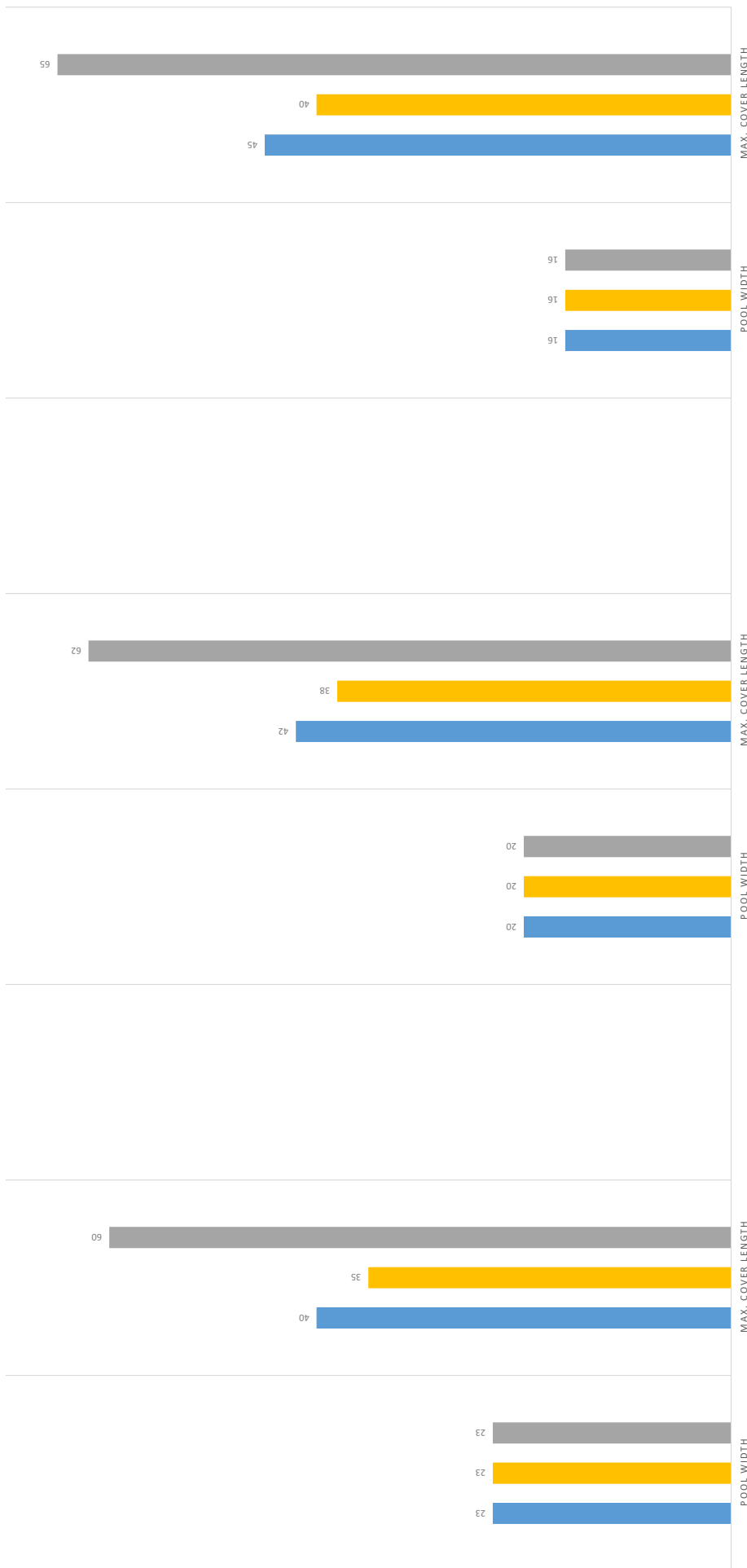


# 4" Adjustable Tube Sizing Chart

## 4" Adjustable Tube Sizing Chart

### 4 INCH RESIDENTIAL REEL USING 4 INCH ADJUSTABLE TUBING

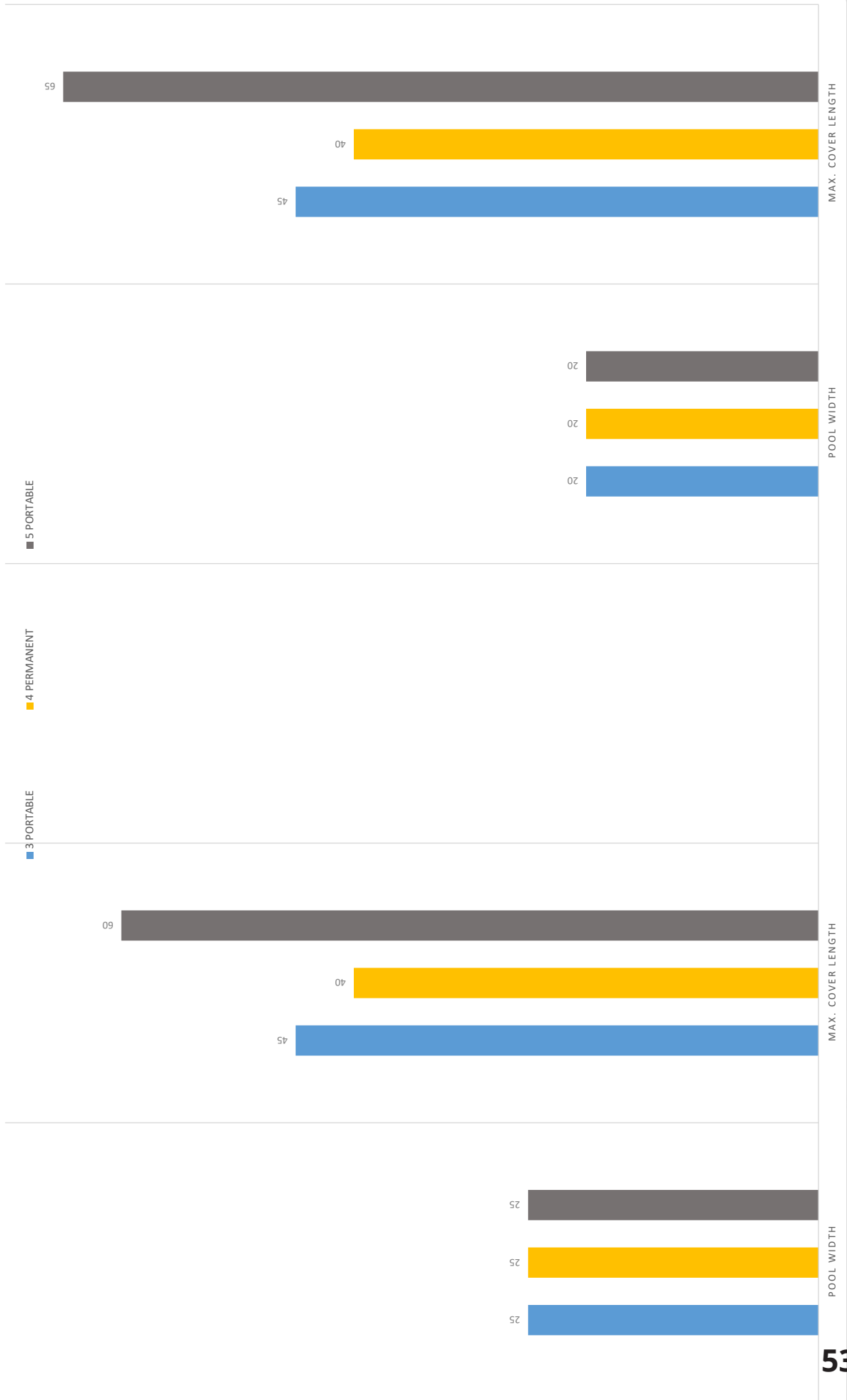
■ 3 PORTABLE ■ 4 PERMANENT ■ 5 PORTABLE



# 4" Tube (Non Adjusting) Sizing Chart

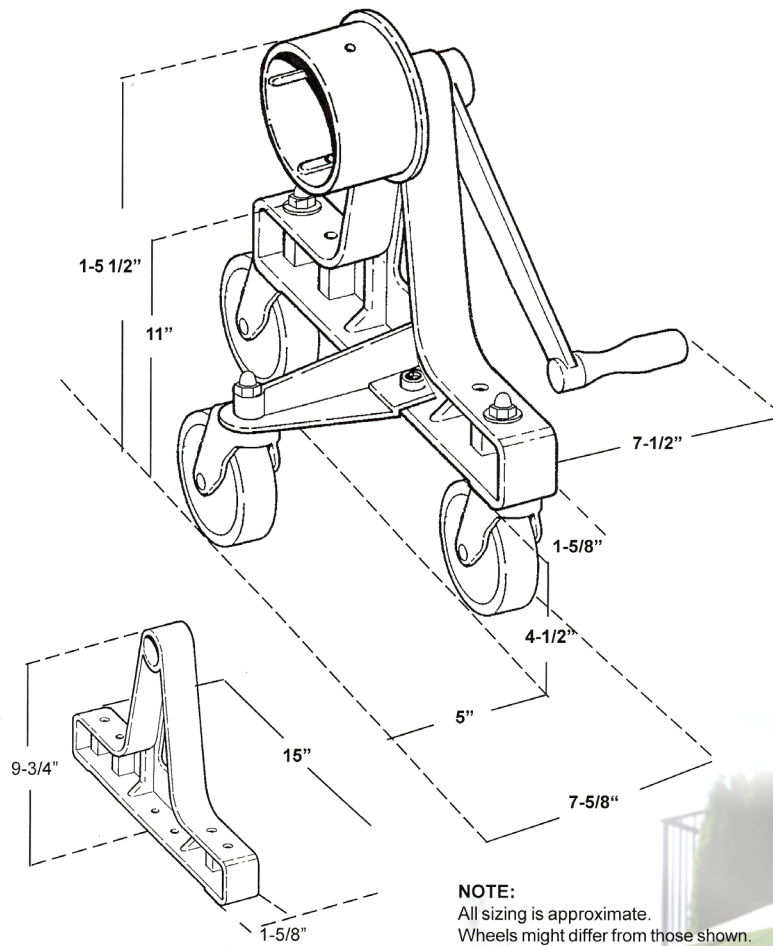
## 4" Tube (Non Adjusting) Sizing Chart

4 INCH RESIDENTIAL REEL 4 INCH STANDARD TUBE SIZING CHART



# Commercial Products

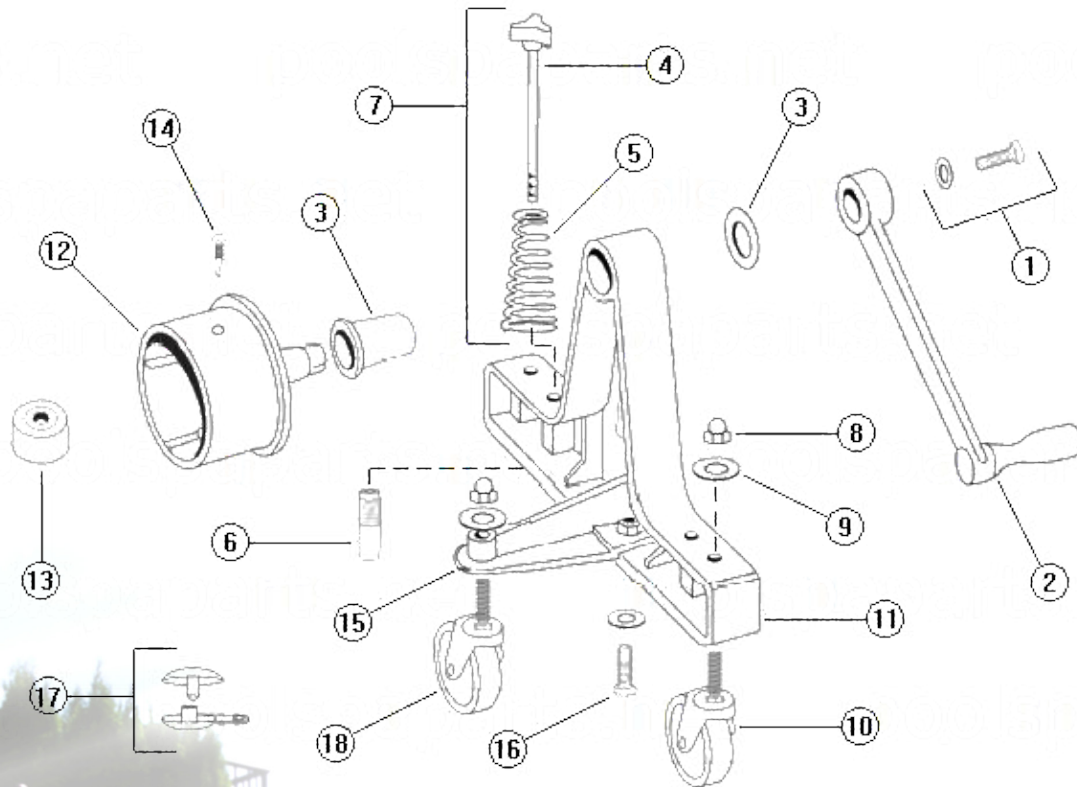
# Junior Commercial



## Junior Commercial Solar Reel – Product Specifications

- Strong Die Cast Aluminum Construction
- Positive Anchoring System
- Quality Wheels
- Not Affected By Sunlight Or Freezing Cold
- Not Plastic
- Ten Year Warranty
- Weight: 19 lb.
- Ships in a single box: 18"x 14"x 7"
- Pallet Quantity = 25
- Baked Enamel Finish
- Easy To Use
- Light Weight Yet Strong
- Industrial Grade Hardware
- Made in Canada
- Instructional videos available at [www.rockys.ca](http://www.rockys.ca)

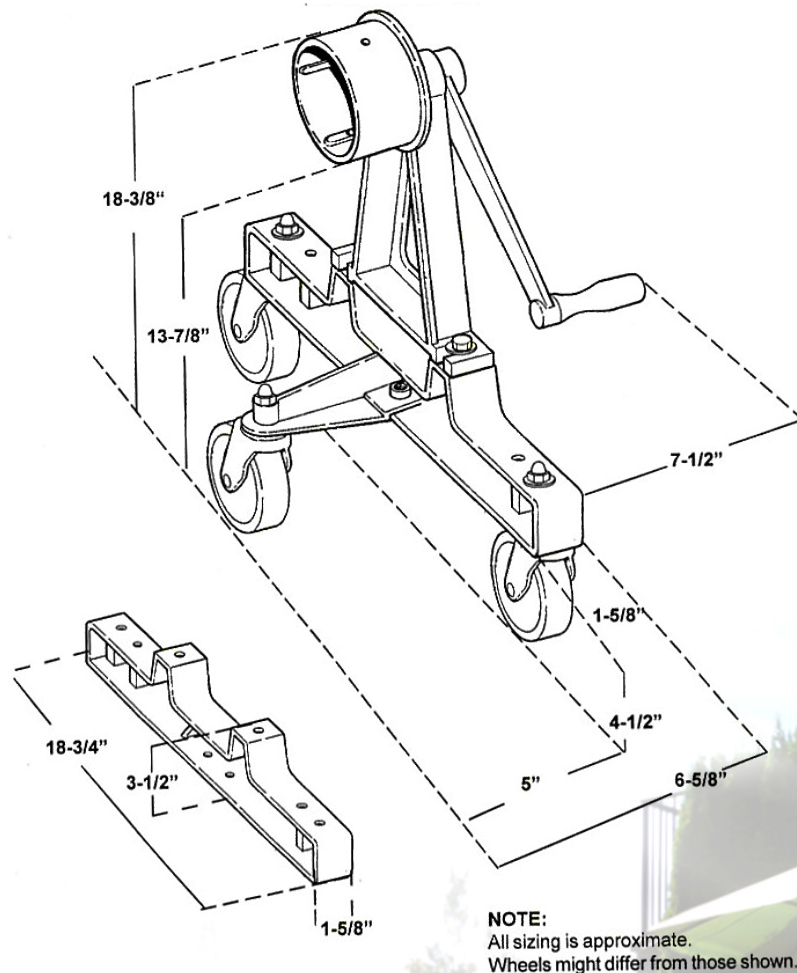
# Junior Commercial Replacement Parts



Key	Part No.	Description
1	505	5/16" S./S. Bolt/Washer
2	547	Large Handle
3	555	Plastic Washer and Bushing Set
3	555	Plastic Washer and Bushing Set
4	513	8" Anchor Bolts
5	524	S./S. Springs and Retainers
6	515	Drop in Anchors
7	520	8" Anchor Bolt Complete Set
8	523	3/8: Acorn Nut
9	525	3/8" Nut/Washer
10	585	4" Wheel Bag x 4
11	530	3 Frame
12	539	4" Hub
13	533	Knob
14	501	Self Tap Screws (12)
15	537	3rd Leg With Wheel
16	507	3/8" x 1" SS Bolt/Washer
17	549	Grommet Pack (12)
17	553	Grommet Pack (50)
17	554	Grommet Pack (100)
Not Shown	577	Universal Strap Kit (shown on page 22)
Not Shown	587	Vinyl Strapping 22' (shown on page 24)
Not Shown	589	Vinyl Strapping 36' (shown on page 25)
Not Shown	591	Vinyl Strapping - 150' Roll (shown on page 25)
18	582	3rd Leg Wheel Bag (Set of 2) with Hardware



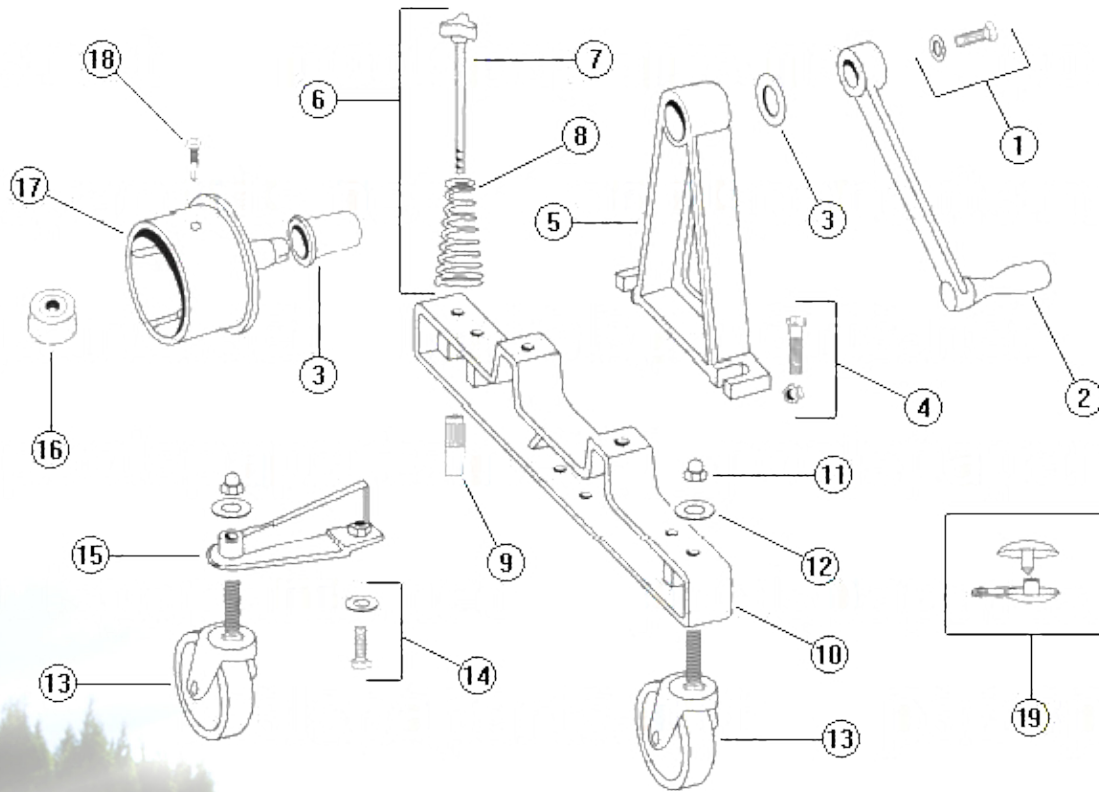
# Senior Commercial



## Senior Commercial Solar Reel – Product Specifications

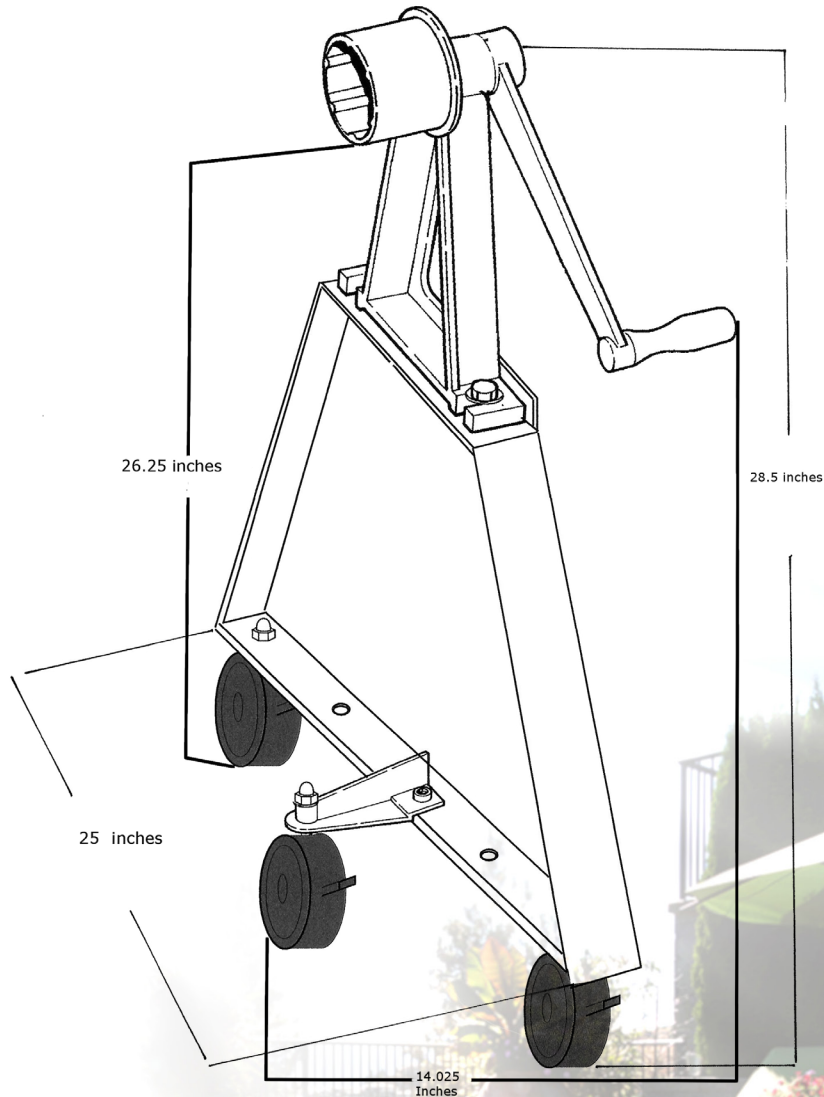
- Strong Die Cast Aluminum Construction
- Positive Anchoring System
- Easy To Use
- Light Weight Yet Extremely Strong
- Not Affected By Sunlight Or Freezing Cold
- Not Plastic
- Ten Year Warranty
- Weight: 22 lb.
- Ships in a single box: 18"x 14"x 7"
- Pallet Quantity = 25
- Baked Enamel Finish Enhances Any Pool
- Quality Wheels For Ease of Portability
- Industrial Grade Hardware
- Made in Canada
- Instructional videos available at [www.rockys.ca](http://www.rockys.ca)

# Senior Commercial Replacement Parts



Key	Part No.	Description
1	505	5/16" S./S. Bolt/Washer
2	547	Large Handle
3	555	Plastic Washer and Bushing Set
3	555	Plastic Washer and Bushing Set
4	509	3/8" x 1-1/2" SS Bolt and Washer Set
5	531	4 Frame
6	520	8" Anchor Bolt Complete Set
7	513	8" Anchor Bolt Set
8	524	Stainless Steel Springs and Retainers
9	515	Drop In Anchors
10	529	Senior Base
11	523	3/8" Acorn Nuts
12	525	3/8" Washer and Nuts
13	585	4" Wheel Bag
14	507	3/8" x 1" SS Bolt/Washer
15	537	3rd Leg With Wheel
16	533	Knob
17	539	4" Hub
18	501	Self Tap Screws (TEKS)
19	554	Grommet Pack (100)
19	577	Universal Strap Kit (Shown on page 22)
Not Shown	587	Vinyl Strapping 22' (shown on page 24)
Not Shown	589	Vinyl Strapping 36' (shown on page 25)
Not Shown	591	Vinyl Strapping - 150' Roll (shown on page 25)
Not Shown	593	Velcro -18" (shown on page 25)

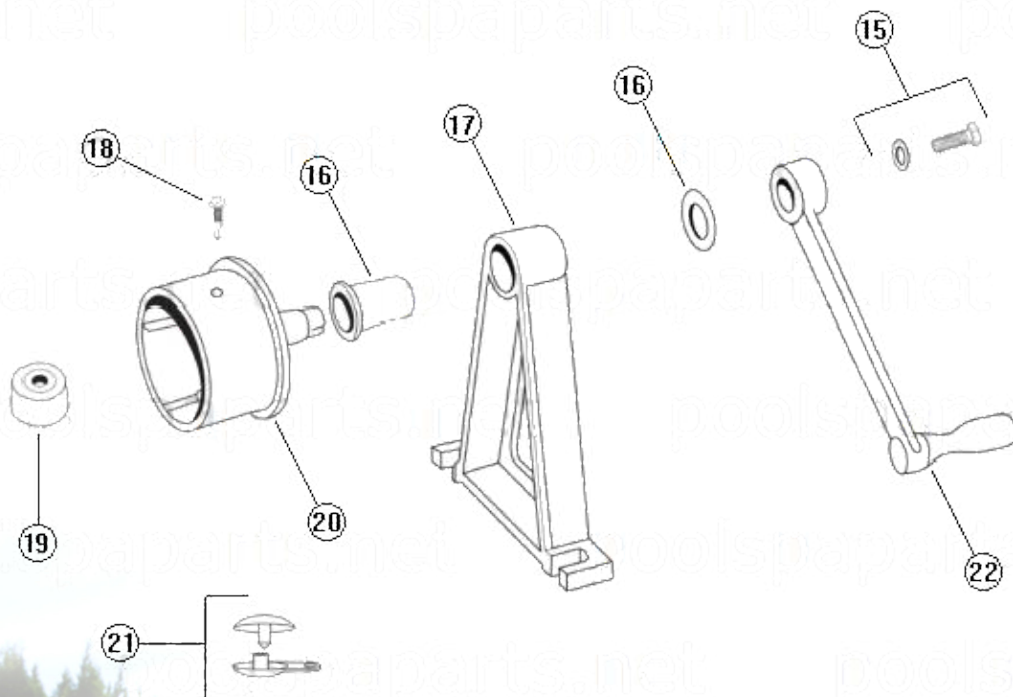
# High Riser Commercial



## High Riser Commercial Solar Reel – Product Specifications

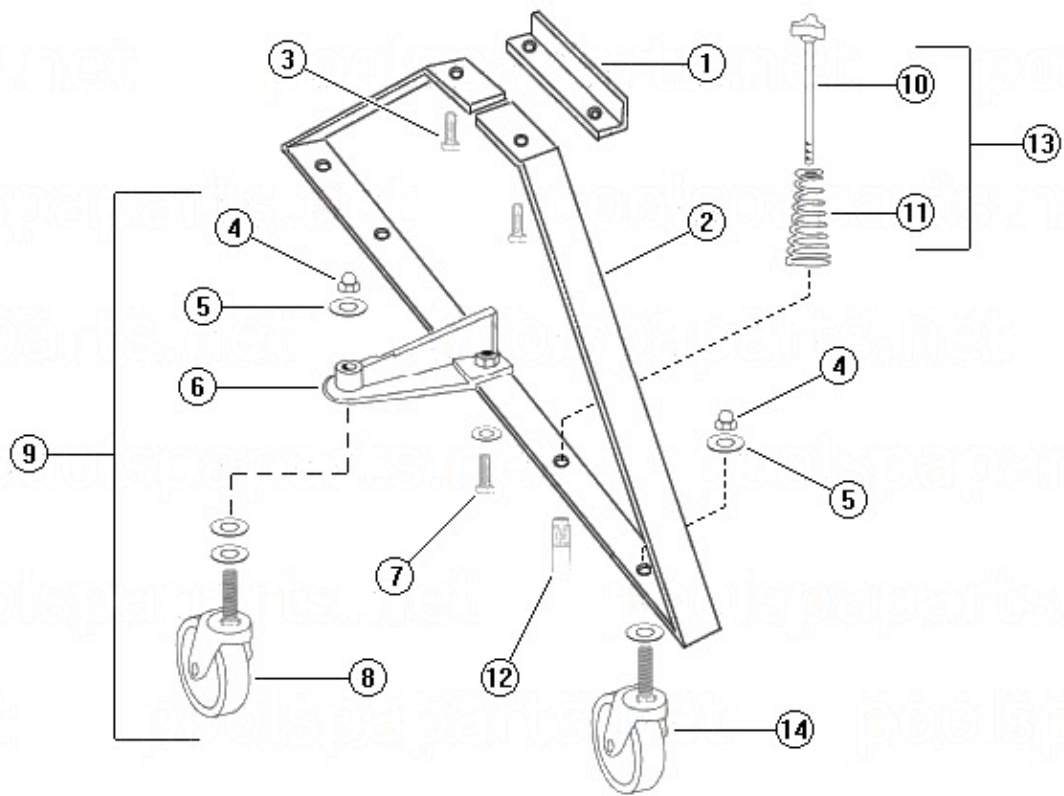
- Strong Die Cast Aluminum Construction
- Positive Anchoring System
- Easy To Use
- Light Weight Yet Extremely Strong
- Not Affected By Sunlight Or Freezing Cold
- Not Plastic
- Ten Year Warranty
- 3rd Leg For Added Stability
- Ships in a single box: 27"x 19"x 11"
- Pallet Quantity = 15
- Weight: 14 lb.
- Baked Enamel Finish Enhances Any Pool
- Quality 4" Wheels For Ease of Portability
- Industrial Grade Hardware
- Made in Canada
- Instructional videos available at [www.rockys.ca](http://www.rockys.ca)

# High Riser Commercial Replacement Parts



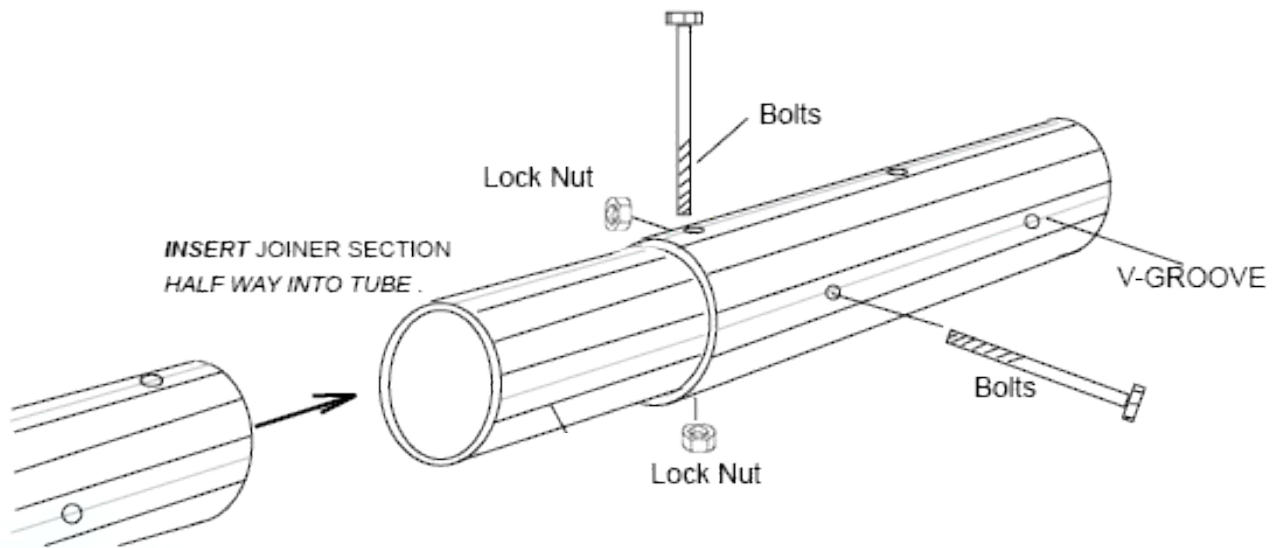
Key	Part No.	Description
15	505	5/16" S./S. Bolt/Washer
16	555	Plastic Washer and Bushing Set
16	555	Plastic Washer and Bushing Set
17	531	4 Frame
18	501	Self Tap Screws (12)
19	533	White Knob
20	539	4" Hub
21	549	Grommet Pack (12)
21	553	Grommet Pack (50)
21	554	Grommet Pack (100)
22	547	Large Handle
Not Shown	577	Universal Strap Kit (shown on page 22)
Not Shown	587	Vinyl Strapping 22' (shown on page 24)
Not Shown	589	Vinyl Strapping 36' (shown on page 25)
Not Shown	591	Vinyl Strapping - 150' Roll (shown on page 25)
Not Shown	593	Velcro -18" (shown on page 25)

# High Riser Commercial Replacement Parts



Key	Part No.	Description
1	538	High Rise Retainer x 1
2	532	High Rise Frame x 1
3	509	3/8" x 1-1/2" SS Bolt/Washer and Nut Set
4	523	3/8" Acorn Nut
5	525	3/8" Nut/Washer
6	535	3rd Leg (without Wheel)
7	507	3/8" x 1" SS Bolt/Washer
8	582	3rd Leg Wheel Bag (Set of 2) with Hardware
8	586	3rd Leg Replacement Wheel
9	537	3rd Leg With Wheel
10	511	6" Anchor Bolts
11	517	Stainless Steel Springs and Retainers
12	515	Drop In Anchors
13	518	6 Inch Anchor Bolt Complete Set
14	584	High Rise Wheel Bag

# 4 Inch Commercial Tubes



**Call Rocky's for part information on the 4 Inch Commercial Tubing.  
1-800-663-8705**

These tubes are made to order so the tubes vary in size. The only parts that are the same on the 4 Inch (non adjustable) Tubing are the Bolts that are used to assemble the Tube. If you need to replace the Bolts please order Part # 522 Commercial Hardware Bag seen on page 16.

## 4" Inch Commercial Tubing – Product Specifications

- Extruded Aluminum Construction
- Built to Order
- Fits pools that are up to 32' wide
- Industrial Grade Hardware
- Fits Rocky's 4" Hubs
- No Plastic Parts
- Ideal for larger pools
- Can be used on any 4" system (Residential or Commercial)
- Check the end unit you are looking at to see what the maximum tube length is for that specific system. Pages 5 to 11
- Ships in one or two boxes size dependent. (Call Rocky's for information on packaging)
- 1-800-663-8705
- Clear Anodized Satin Finish
- Easy To Assemble
- Light Weight Yet Extremely Strong
- Not Affected By Sunlight Or Freezing Cold
- Commercial Grade
- Made in Canada
- Weight: Varies by length



This page left intentionally blank.

# Commercial Sizing Chart

The following chart shows the maximum length of tubes that can be used with each of Rocky's Commercial Reel Systems.

The Chart also shows the maximum length of solar cover that can safely be used with each length of tube.

This chart is a great reference tool that can be used to accurately recommend a reel system and tube combination based off the most extreme dimensions of a Commercial swimming pool. For pools that are larger than 33' wide please contact Rocky's and we can discuss reel system options that might suit your pool.

1-800-663-8705

Commercial Tubing

Page 65

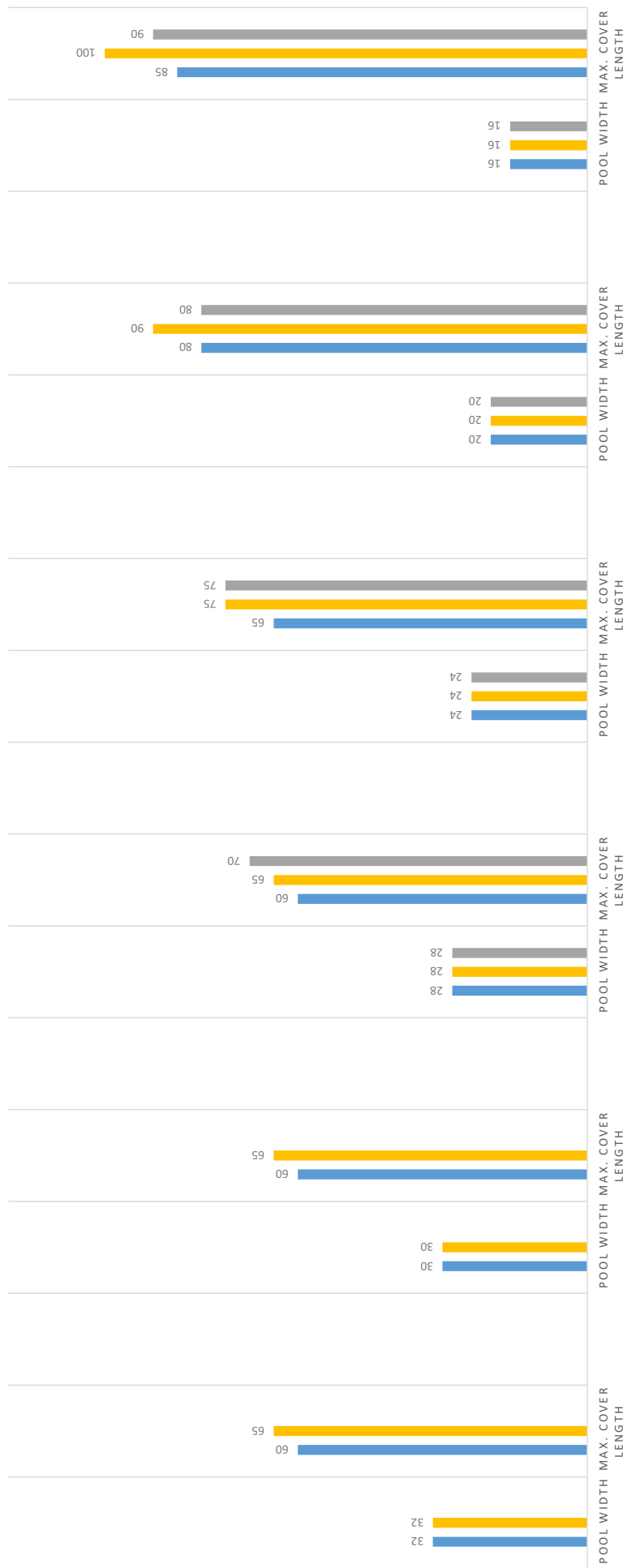


# 4" Commercial Tube Sizing Chart

## 4" Commercial Tube Sizing Chart

COMMERCIAL REEL TUBE SIZING CHART

■ JUNIOR ■ SENIOR ■ HIGH RISE COMMERCIAL



# Our Quality

Rocky's Reel Systems has manufactured the industry's most robust manual solar cover reel systems for over 40 years and we stand by our product.

That is why all of our reel systems are backed by our Ten Year Warranty. When you sell a Rocky's Reel you are also selling peace of mind to your customer.

Once a pool owner in North America registers their warranty number either by phone or through our website: [www.rockys.ca](http://www.rockys.ca), they can contact us directly should an issue arise with their reel system. This saves you time and helps your customer get the parts they need as quickly as possible.

# Warranty Information

For the most up to date warranty information please visit our website: [www.rockys.ca](http://www.rockys.ca) or call our office at: 1-800-663-8705



## FULL 10-YEAR WARRANTY\* North America

### WARRANTY REGISTRATION #

To all **original purchasers** of its products, Rocky's Reel Systems Inc., warrants its product free from defects in materials and workmanship for a period of TEN (10) YEARS\*\* from the date of purchase. Products which fail or become defective during the warranty period, except as a result of accident, negligence, improper installation, corrosion, improper use, improper care, modification or alteration after purchase, shall be replaced or repaired at our option without charge within 90 days of receipt of the defective product, barring unforeseen delays.

Rocky's Reel Systems Inc., shall not be responsible for cartage, removal, and/or re installation, labor, or other such costs incurred in obtaining warranty replacement parts.

**This warranty supersedes all warranties printed or implied.  
To obtaining warranty replacements parts in North America please call:**

**1 - 8 0 0 - 6 6 3 - 8 7 0 5**

All others Countries:

Please contact your local supplier who will help you with the warranty process

**U.S. customers**, do not return goods to the Kelowna, B.C. address as they will be refused, a returned goods # must be obtained before any goods will be accepted.

**IMPORTANT:** To validate your warranty in North America you must register the warranty number with Rocky's within 30 days from purchase failure to register may nullify your warranty. Warranty claims are only valid if filed by the original purchaser. **CUSTOMERS MUST QUOTE THE WARRANTY REGISTRATION NUMBER (ABOVE) IN ORDER TO OBTAIN REPLACEMENT PARTS.**

### RETAIN THIS PORTION FOR YOUR RECORDS

\*\*Wheels, Tubing, and Consumable Items i.e. Paint, Grommets & Strapping are not covered under this warranty. Your product is made from die cast aluminum which does not rust, therefore any cuts, nicks, chips or scratches in the paint will not affect the performance of this unique product. This normal wear and tear is not part of any guarantee or warranty. It is also not grounds for replacement. Paint can be touched up with almost any type of white waterproof paint. If you have any questions about the paint please contact Rocky's.



Dear Valued Customer,

Congratulations, you have purchased the very best swimming pool cover reel system available on the market! Your Rocky's Reel System will provide you with years of use and is backed by a 10 year hassle free warranty.

The Rocky's end units are made from **Die Cast Aluminum**, making them strong yet lightweight (please note that the handles are also die cast and are not designed for lifting the unit or for standing on). Provided that the Rocky's system is used for the purpose it was designed for, this will be the last reel system you purchase.

Rocky's tubing is **12-Sided Anodized Aluminum** and has a satin luster finish. Only extend the adjustable reels to the maximum length suggested in the instructions. If a warranty problem should arise please telephone us at **1-800-663-8705** (North America only) or email us at [info@rockys.ca](mailto:info@rockys.ca).

**IMPORTANT:** Please remember to apply waterproof petroleum grease to the inside of the black bushings, at least once a year, this will ensure the unit operates smoothly.

## WARNING: IMPORTANT

**Stick the Warning Label to the tube  
Help Prevent Drowning.  
Completely Remove the cover before using the pool.  
Never swim under a cover.  
Do not stand on top of the cover.**

For more information please contact us by one of the following methods:  
Email: [info@rockys.ca](mailto:info@rockys.ca) Phone: 1-800-663-8705  
Fax: 1-604-985-4325 or via our website: [www.rockys.ca](http://www.rockys.ca)



### WARRANTY REGISTRATION #

## Important

To validate your warranty you **must** register your Rocky's product online within 30 days of your purchase date.

Register online at: [www.rockys.ca](http://www.rockys.ca)

Go to: [www.rockys.ca/products/warranty-registration](http://www.rockys.ca/products/warranty-registration)  
to complete your warranty registration.

For more information please contact us by one of the following methods:

Email: [info@rockys.ca](mailto:info@rockys.ca) Phone: 1-800-663-8705  
Fax: 1-604-985-4325 or via our website: [www.rockys.ca](http://www.rockys.ca)

CONTACT US **TODAY**



INFO@ROCKYS.CA



1-800-663-8705



WWW.ROCKYS.CA

FOR ADDITIONAL SIZING AND INFORMATION  
PLEASE VISIT: **WWW.ROCKYS.CA**



**HEAD OFFICE:**  
#8-730 STREMEL ROAD  
KELOWNA, B.C. CANADA, V1X 5E7