





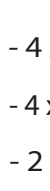


OASIS #5445 Installation

Please choose one of the following installation according to your handrails and pool type. Read carefully the cautions and every steps before assembly and using your step.

Caution : File off all stripped or sharp edges before assembly to avoid injuries and pool damage.

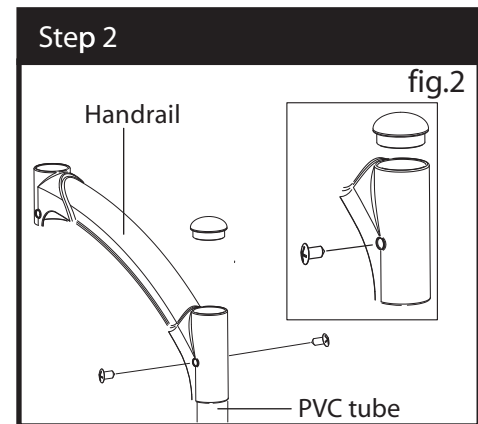
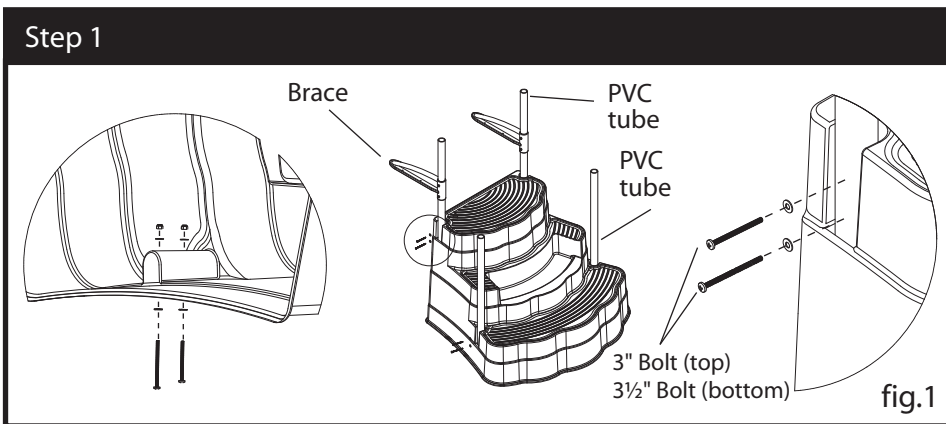
Handrails box content:		Additional Material	
18x	10x 10x 4x 4x	PVC handrails	Stainless steel handrails
		- 4 x 3/4" screw	- 2x Flange 
		- 4 x 39" PVC tube	- 2 x 3" bolt
		- 2 x handrail	- 2 x nut
3/4" Screw		- 2 x plastic cap	
3" Bolt			
3 1/2" Bolt			
2x Brace			

Not included:

- Sand
- Note: you may need approximately 100 lbs of sand
- Concrete screws

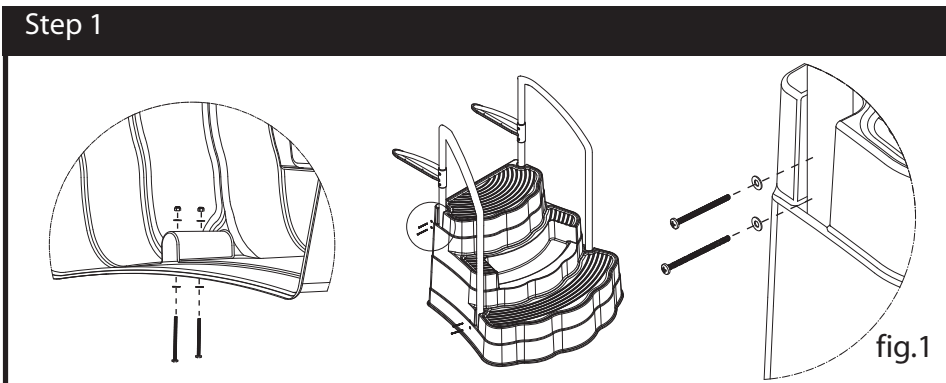
Helpful hint:
To ease the installation of the rails and bolts, use a screwdriver to line up holes.

PVC HANDRAILS INSTALLATION :



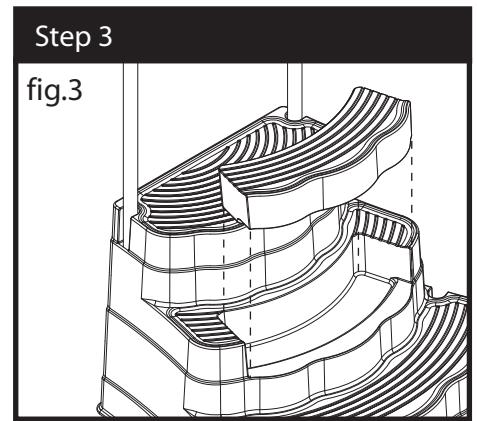
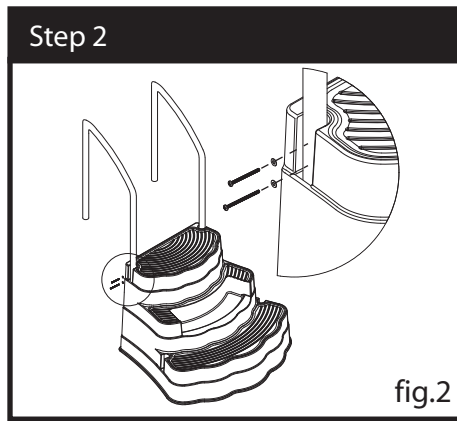
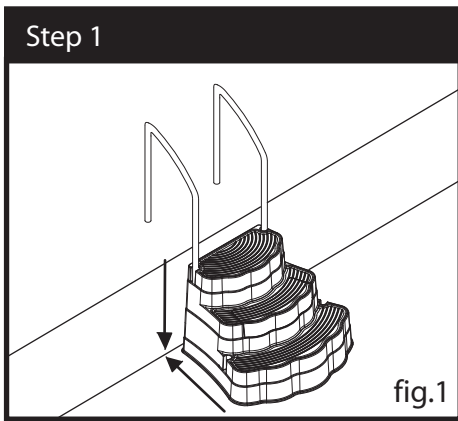
- 1- Lay the step on the side and fix the PVC tubes on the step with the 3" bolt for the upper holes (4), the 3 1/2" for the lower holes(4), the nuts (8) and the washers(16). (fig.1) Slide one brace on each of the rear PVC posts. (Upper step)
- 2- Affix the handrails on the support tubes with the 3/4" screws(4). (fig.2)
- 3- Fill the ballast unit with sand, seal with the plastic cap and put the ballast unit at the appropriate place on the step. (annex a)
- 4- Move the step into the water and allow the air to escape. Place the step by the pool wall leaving at least 1" between the step and the wall. Ensure that the step touches the ground solidly. Lower the braces until its rests on the sidewalk. (annex b)
- 5- Fix the braces on the sidewalk with concrete screws (not included). (annex c)

STAINLESS STEEL HANDRAILS INSTALLATION WITH BRACES:

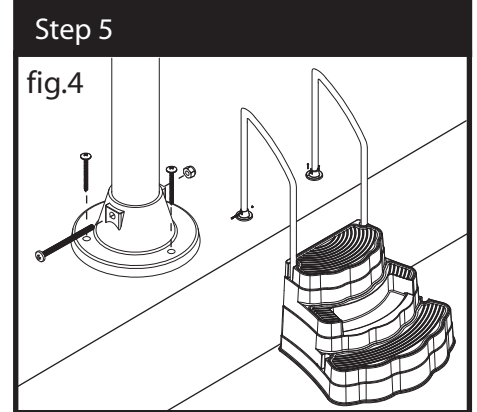


- 1- Slide the braces in the top of the handrails .Lay the step on the side and fix both handrails on the step with the 3" bolt for the upper holes (4), the 3 1/2" for the lower holes(4) ,the nuts (8) and the washers(16). (fig.1)
- 2- Fill the ballast unit with sand, seal with the plastic cap and put the ballast unit at the appropriate place on the step. (annex a)
- 3- Move the step into the water and allow the air to escape. Place the step by the pool wall leaving at least 1" between the step and the wall. Ensure that the step touches the ground solidly. Lower the braces until its rests on the sidewalk. (annex b)
- 4- Affix the braces on the sidewalk with concrete screws (not included). (annex c)

STAINLESS STEEL INSTALLATION WITH FLANGES:



- 1- Fill the ballast unit with sand and seal with the plastic cap. (annex a)
- 2- Move the step into the water and allow the air to escape. Put the ballast unit at the appropriate place on the step. Place the step by the pool wall leaving at least 1" between the step and the wall. Ensure that the step touches the ground solidly.
- 3- Mark the holes location. (fig.2) **NOTE:** If the holes do not align, make the appropriate hole using a 3/8 inch metal drill bit.
- 4- Take the ballast and the step out of the water. Fix both handrails, using the back holes of the step, with the 3" bolts for the upper holes (4), 3 1/2" for the lower holes (4), nuts (8) and washers (16). (fig.2)
- 5- Put the step back in the water following the procedures from step 2 (fig.3)
- 6- Anchor the flanges into the sidewalk with concrete screws (not included) (fig. 4)
- 7- Screw the handrails to the flanges with the 3" bolts (2) and nuts (2). (fig.4)



CAUTION

- :: Locate the step on a solid base and flat base.
- :: Do not jump or dive from the step or ladder.
- :: The step should be removed from the water when temperature drop below freezing.
- :: Never lift the step by its rail.
- :: Use battery-operated tools to avoid electric shock near water
- :: Ensure no corrosive materials are added to the step, ladder or hardware kit
- :: The step and ladder shall be installed per manufacturer's instructions.
- :: File off all stripped or sharp edges of hardware to avoid injury.
- :: The manufacturer is not responsible for damage or injuries caused by improper installation or use.
- :: For special installation, contact your dealer.
- :: For more protection, we suggest to install a step pad (not included) under the step.

Step maintenance:

- 1- When adding water in your pool, insert the nozzle of your hose in the side holes of the step to allow a good water circulation throughout the season.
- 2- When treating your water do not forget to treat the water inside your step.

Remember:

Nothing replaces parental supervision-Watch children at all time.

