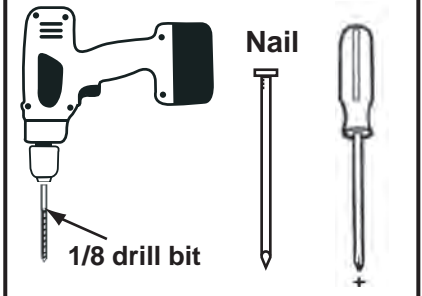


# INSTALLATION GUIDE D1

## ⚠ WARNING

- ▶ Do not dive or jump from step or ladder.
- ▶ Use BATTERY operated tools to avoid electric shocks.
- ▶ Install the pool step on a flat surface.
- ▶ Remove step from pool during freezing climate season.
- ▶ Manufacturer cannot be held responsible for injuries caused by abusive use of product.
- ▶ Ask your city about specific regulations that apply to your above ground pool and ladder.

### Tools required (not included)



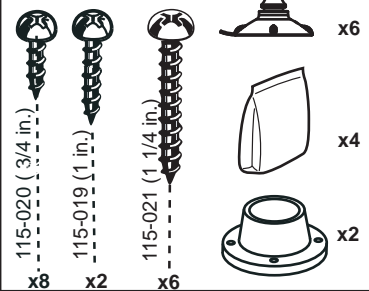
**\*\*\* Caution : File off all stripped or sharp edges before assembly to avoid injuries and pool damage. To ease the installation of rails and bolts, use a screwdriver to line up the holes.**

### Contents hardware bag

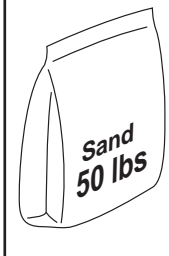
### Sand

### STEP CUPS INSTALLATION

SCREW KIT 140-0035



(not included)



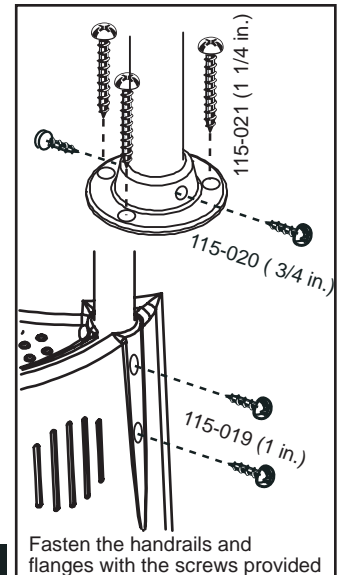
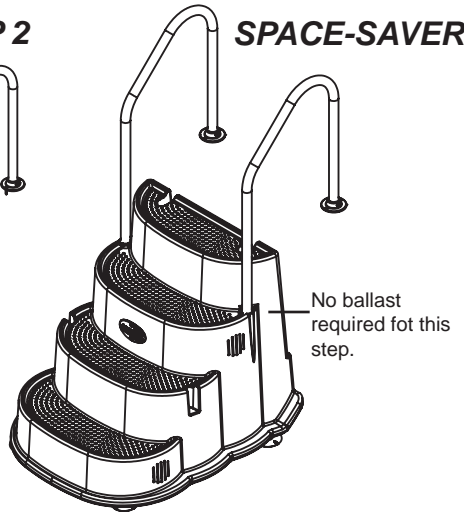
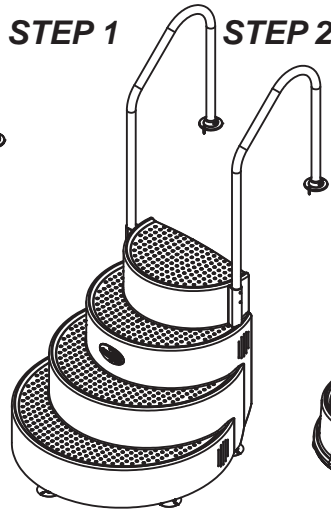
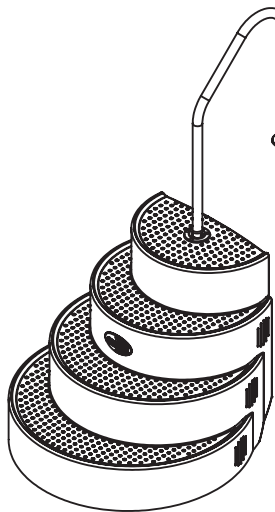
1) Insert half of the Step Cup™ mushroom in the hole, at a 45 degree angle.



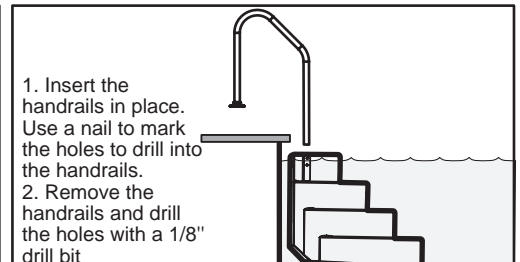
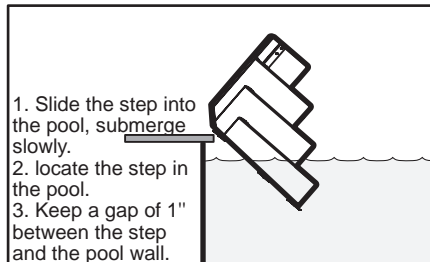
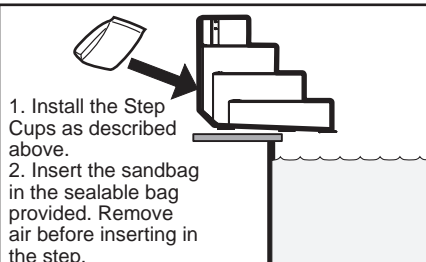
2) With a flat screwdriver, compress the Step Cup™ mushroom ring while pushing it into the hole.



3) Twist the Step Cup™ to ensure that its mushroom has entirely cleared the wall thickness. If it has, the suction cup should rotate freely.



### STEP INSTALLATION



### ACCESS

850 de l'Industrie, unit #100  
St-Jérôme  
QC, J7Y 4B8

WWW.INNOVAPLAS.COM



### MANUFACTURER WARRANTY

**1 year on the pool step.  
1 year on the hardware.**