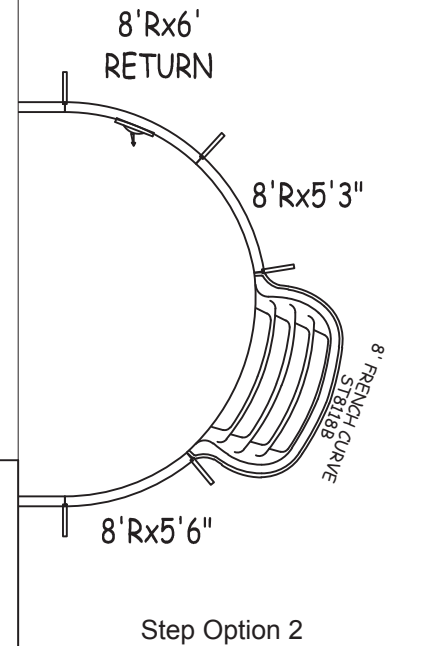
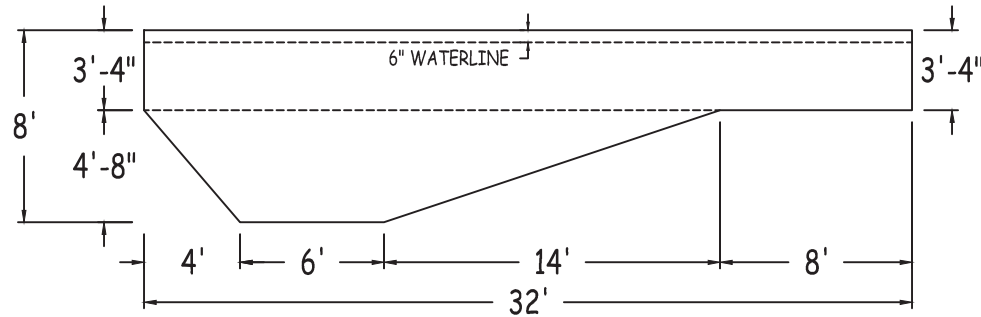
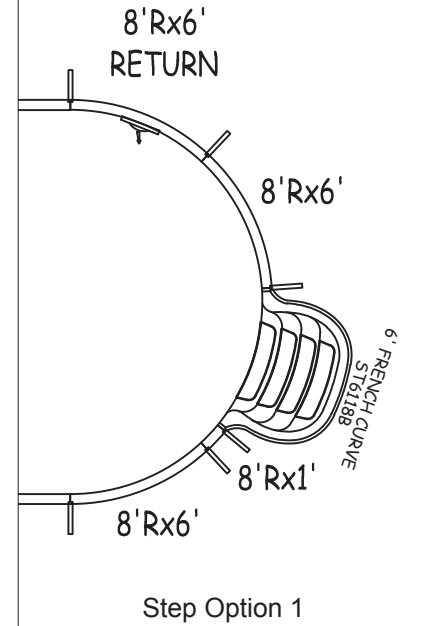
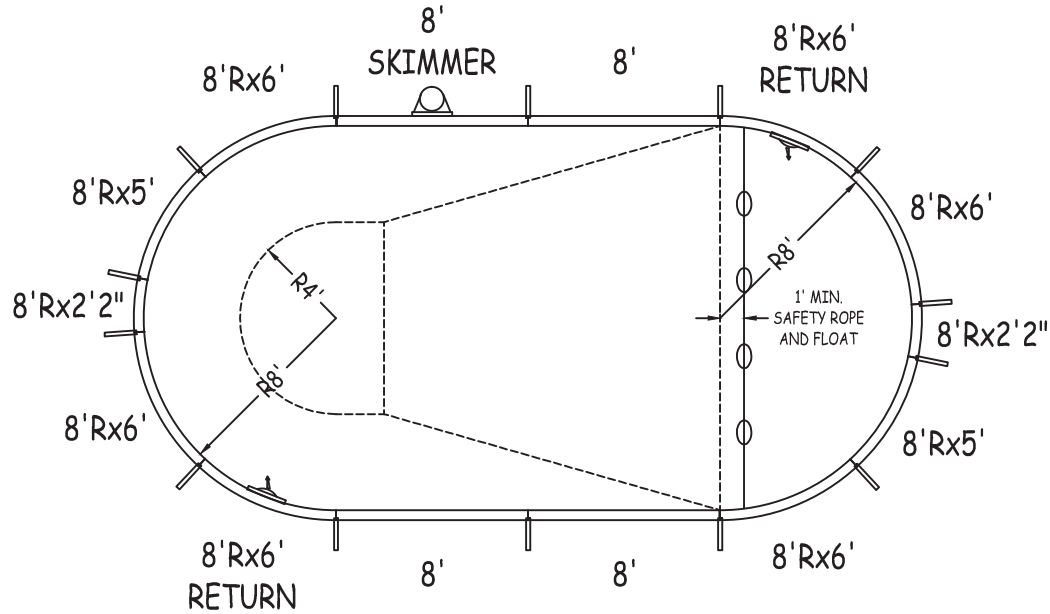
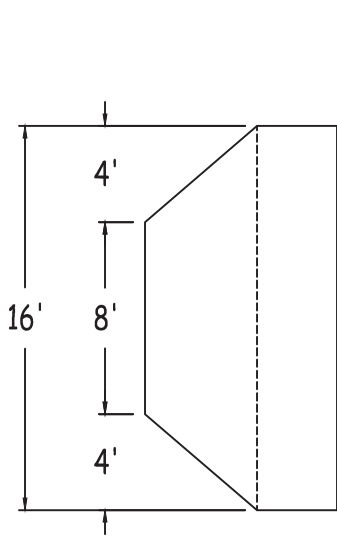


IN ACCORDANCE WITH ANSI/APSP/ICC-5 2011, THE INSTALLER IS RESPONSIBLE FOR PLACING ONE SKIMMER FOR EVERY 800 SQUARE FEET OF SURFACE AREA AND ONE RETURN FOR EVERY 300 SQUARE FEET OF SURFACE AREA.



LATHAM STEEL

OVAL 16-0 x 32-0

42" STEEL PANELS

PERIMETER: 82'-4" VOLUME (US Gal): 15000

DWG#: LSOV00S1632-15

SURFACE (ft²): 457 VOLUME (Liters): 56800

LINER (ft²): 512 DATE: 1/1/2015 DSR: 69

KIT#: OV00S1632 COVER (ft²): 612 SCALE: 1/8" = 1'-0"

MEETS DEPTH AND SHAPE MINIMUM STANDARD ANSI/APSP/ICC-5 2011

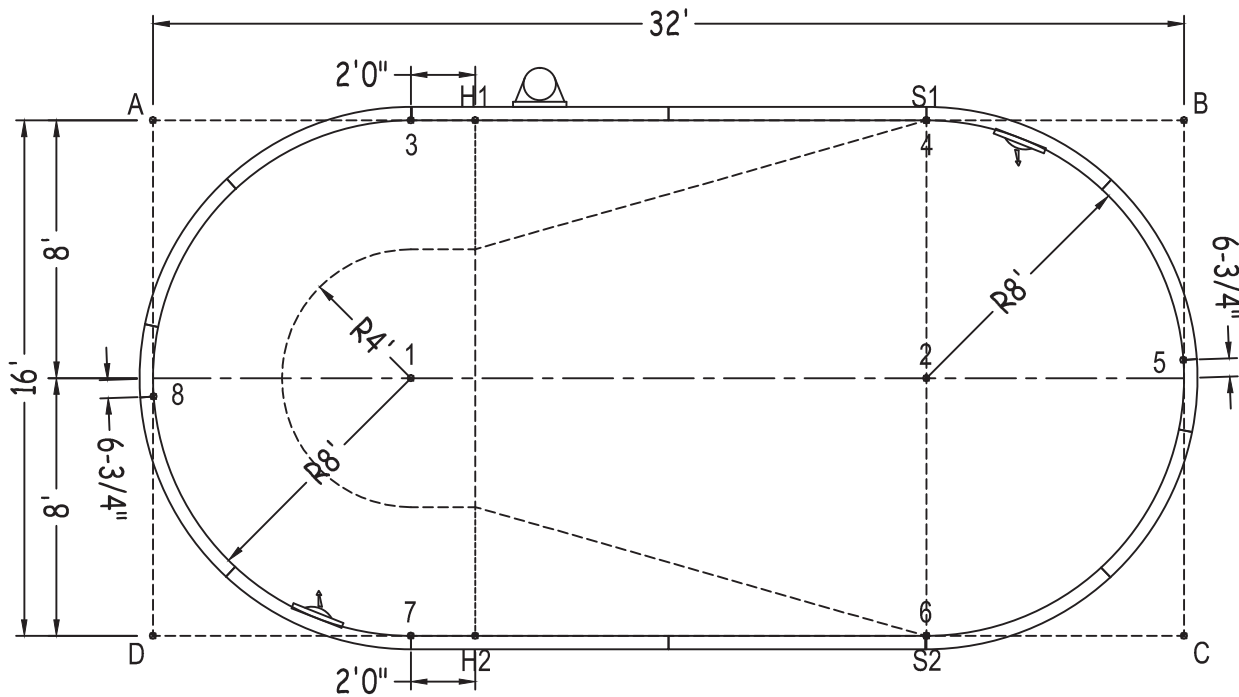


DIVING/SLIDING EQUIPMENT SHALL BE DESIGNED FOR SWIMMING POOLS AND SHALL BE INSTALLED IN ACCORDANCE WITH THE DIVING/SLIDING EQUIPMENT MANUFACTURER'S SPECIFICATIONS. PLEASE CONTACT THE DIVING/SLIDING EQUIPMENT MANUFACTURER FOR THEIR SPECIFICATIONS.



Center To Center	5 to 6	11'-8 1/2"
1 to 2	5 to 7	25'-5 1/2"
Diagonals	5 to 8	31'-11 3/4"
S1 to S2	6 to 7	16'-0"
H1 to H2	6 to 8	25'-1 1/4"
S1 to H1	7 to 8	10'-10 3/4"
S2 to H2		
S1 to H2		
H1 to S2		
3 to 4		
3 to 5		
3 to 6		
3 to 7		
3 to 8		
4 to 5		
4 to 6		
4 to 7		
4 to 8		

Part number	Description	Base	Option 1	Option 2
		QTY	QTY	QTY
ST0960002X	8'	3	3	3
ST0960002*	8' SKIMMER	1	1	1
RA0720961X	8'Rx6'	4	4	2
RA0720961*	8'Rx6' RETURN	2	2	2
RA0660961X	8'Rx5'6"	-	-	1
RA0630961X	8'Rx5'3"	-	-	1
RA0600961X	8'Rx5'	2	1	1
RA0260960X	8'Rx2'2"	2	1	1
RA0120960X	8'Rx1'	-	1	-
Brace		14	14	13
IPC-STKPK25	REBAR STAKE 18" 25PC	2	2	2
IPC-HDWSTRT150	BOLT STR 3/8-16X1" C/W NUT 150PC	2	2	1
ST6118B	THKSHT STEP FRENCH CURVE 6'	-	1	-
ST8118B	THKSHT STEP FRENCH CURVE 8'	-	-	1



	A	B	C	D
1	11'-3 3/4"	25'-3 1/2"	25'-3 1/2"	11'-3 3/4"
2	25'-3 1/2"	11'-3 3/4"	11'-3 3/4"	25'-3 1/2"
3	8'-0"	24'-0"	28'-10 1/4"	17'-10 3/4"
4	24'-0"	8'-0"	17'-10 3/4"	28'-10 1/4"
5	32'-10"	7'-5 1/4"	8'-6 3/4"	33'-1 1/4"
6	28'-10 1/4"	17'-10 3/4"	8'-0"	24'-0"
7	17'-10 3/4"	28'-10 1/4"	24'-0"	8'-0"
8	8'-6 3/4"	33'-1 1/4"	32'-10"	7'-5 1/4"
S2	28'-10 1/4"	17'-10 3/4"	8'-0"	24'-0"
S1	24'-0"	8'-0"	17'-10 3/4"	28'-10 1/4"
H2	18'-10 1/2"	27'-2 1/2"	22'-0"	10'-0"
H1	10'-0"	22'-0"	27'-2 1/2"	18'-10 1/2"
A	-	32'-0"	35'-9 1/4"	16'-0"

OVAL 16-0 X 32-0

DWG #: LSOV00S1632-15

DATE: 1/1/2015

SHEET: 2 OF 2