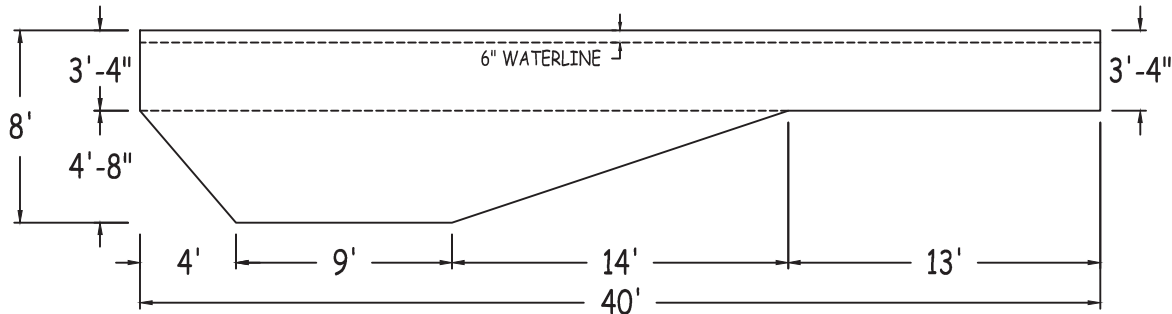
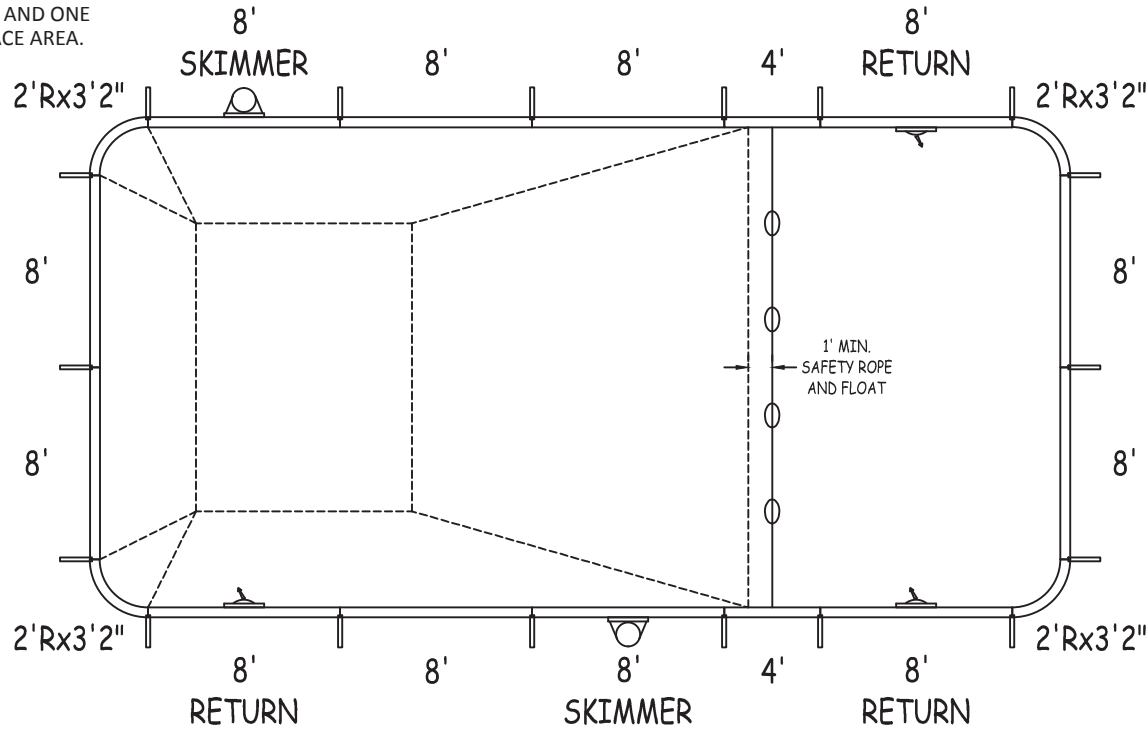
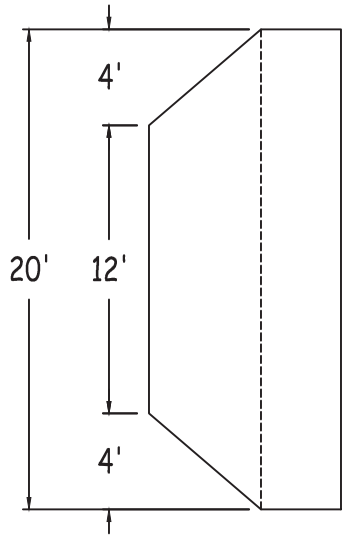


IN ACCORDANCE WITH ANSI/APSP/ICC-5 2011, THE INSTALLER IS RESPONSIBLE FOR PLACING ONE SKIMMER FOR EVERY 800 SQUARE FEET OF SURFACE AREA AND ONE RETURN FOR EVERY 300 SQUARE FEET OF SURFACE AREA.



LATHAM STEEL

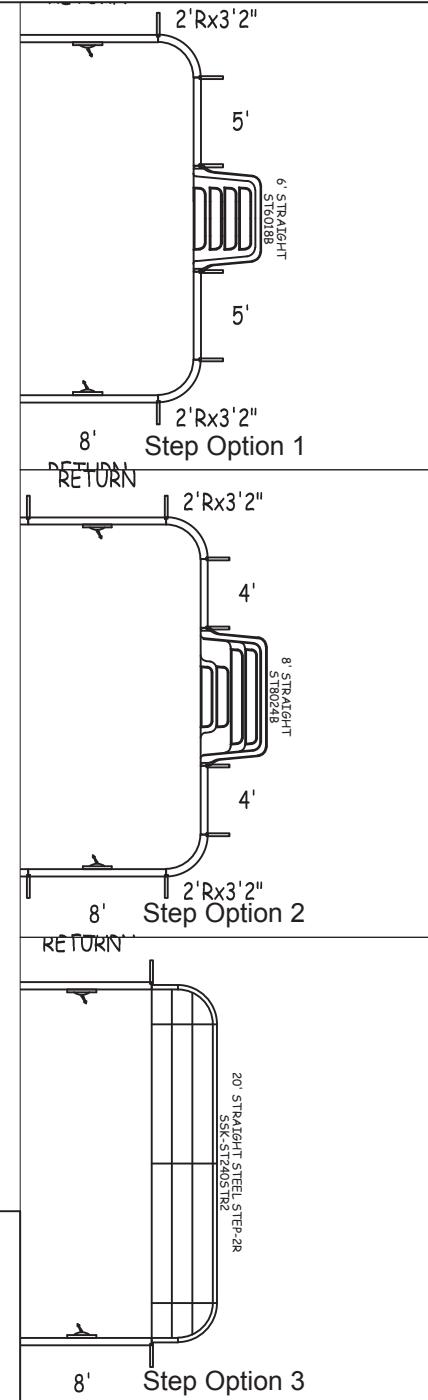
RECTANGLE-2FT RAD 20-0 x 40-0

42" STEEL PANELS	PERIMETER:	116'-8"	VOLUME (US Gal):	26200	
DWG#:	SURFACE (ft²):	797	VOLUME (Liters):	99200	
LSRE24S2040-15	LINER (ft²):	800	DATE:	1/1/2015	
			DSR:	144	
KIT#:	RE24S2040	COVER (ft²):	924	SCALE:	1/8" = 1'-0"



DIVING/SLIDING EQUIPMENT SHALL BE DESIGNED FOR SWIMMING POOLS AND SHALL BE INSTALLED IN ACCORDANCE WITH THE DIVING/SLIDING EQUIPMENT MANUFACTURER'S SPECIFICATIONS. PLEASE CONTACT THE DIVING/SLIDING EQUIPMENT MANUFACTURER FOR THEIR SPECIFICATIONS.

MEETS DEPTH AND SHAPE MINIMUM STANDARD ANSI/APSP/ICC-5 2011

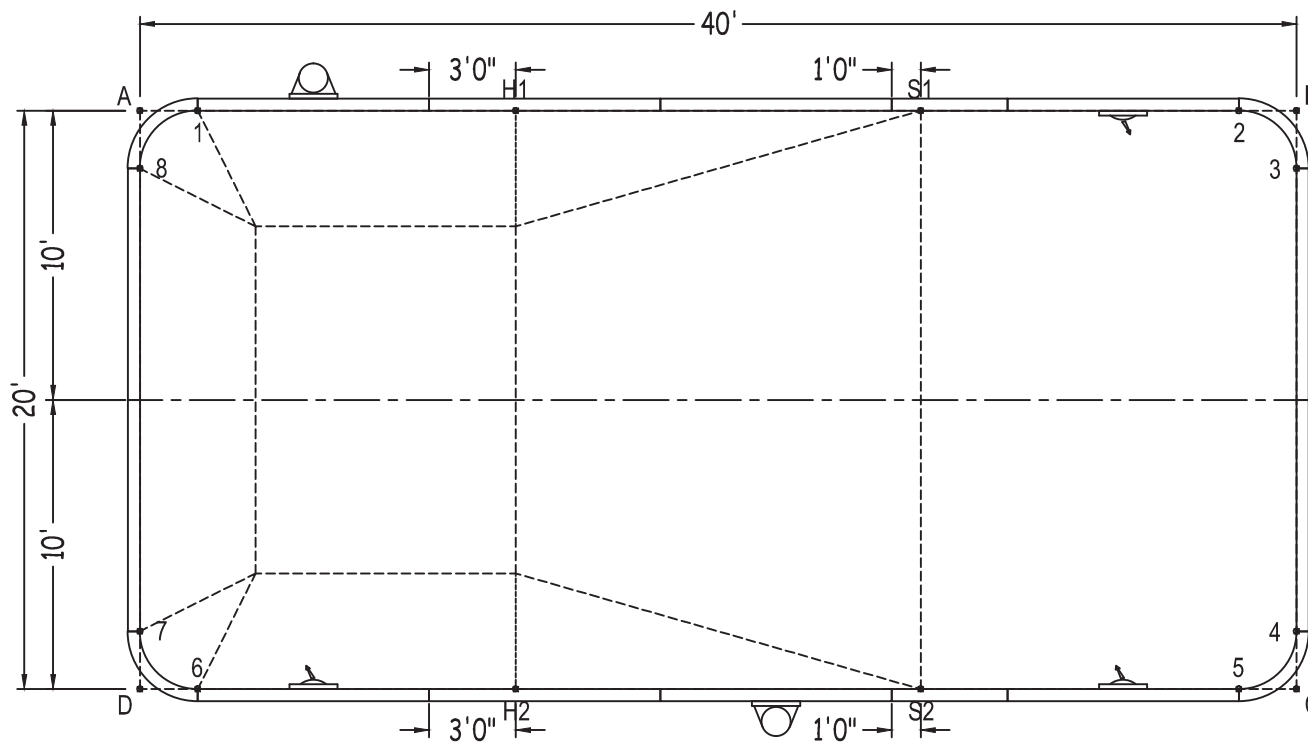


RECTANGLE-2FT RAD

SHEET: 1 OF 2

Diagonals	2 to 7	42'- 1/2"	
S1toS2	20'-0"	2 to 8	38'- 3/4"
H1toH2	20'-0"	3 to 4	16'-0"
S1toH1	14'-0"	3 to 5	18'-1 1/4"
S2toH2	14'-0"	3 to 6	42'- 1/2"
S1toH2	24'-5"	3 to 7	43'-1"
H1toS2	24'-5"	3 to 8	40'-0"
1 to 2	36'-0"	4 to 5	2'-10"
1 to 3	38'- 3/4"	4 to 6	38'- 3/4"
1 to 4	42'- 1/2"	4 to 7	40'-0"
1 to 5	41'-2 1/4"	4 to 8	43'-1"
1 to 6	20'-0"	5 to 6	36'-0"
1 to 7	18'-1 1/4"	5 to 7	38'- 3/4"
1 to 8	2'-10"	5 to 8	42'- 1/2"
2 to 3	2'-10"	6 to 7	2'-10"
2 to 4	18'-1 1/4"	6 to 8	18'-1 1/4"
2 to 5	20'-0"	7 to 8	16'-0"
2 to 6	41'-2 1/4"		

Part number	Description	Base	Option 1	Option 2	Option 3
		QTY	QTY	QTY	QTY
ST0960002X	8'	7	5	5	5
ST0960002*	8' SKIMMER	2	2	2	2
ST0960002*	8' RETURN	3	3	3	3
ST0600001X	5'	-	2	-	-
ST0480001X	4'	2	2	4	-
ST0300000X	2'6"	-	-	-	2
CN0380241X	2'Rx3'2"	4	4	4	2
Brace	Brace	18	19	19	15
IPC-STKPK25	REBAR STAKE 18" 25PC	2	2	2	2
IPC-HDWSTRT150	BOLT STR 3/8-16X1" C/W NUT 150PC	2	2	2	2
ST6018B	THKSHT STEP STR 6"	-	1	-	-
ST8024B	THKSHT STEP STR SIT N STEP 8"	-	-	1	-
SSK-ST240STR2	FE STEEL STEP STR-2'RAD CN 3 TRD 20'	-	-	-	1



	A	B	C	D
1	2'-0"	38'-0"	42'-11 1/4"	20'-1 1/4"
2	38'-0"	2'-0"	20'-1 1/4"	42'-11 1/4"
3	40'- 1/2"	2'-0"	18'-0"	43'-10 1/4"
4	43'-10 1/4"	18'-0"	2'-0"	40'- 1/2"
5	42'-11 1/4"	20'-1 1/4"	2'-0"	38'-0"
6	20'-1 1/4"	42'-11 1/4"	38'-0"	2'-0"
7	18'-0"	43'-10 1/4"	40'- 1/2"	2'-0"
8	2'-0"	40'- 1/2"	43'-10 1/4"	18'-0"
S2	33'-7 1/4"	23'-10 1/4"	13'-0"	27'-0"
S1	27'-0"	13'-0"	23'-10 1/4"	33'-7 1/4"
H2	23'-10 1/4"	33'-7 1/4"	27'-0"	13'-0"
H1	13'-0"	27'-0"	33'-7 1/4"	23'-10 1/4"
A	-	40'-0"	44'-8 3/4"	20'-0"

RECTANGLE-2FT RAD 20-0 X 40-0

DWG #: LSRE24S2040-15

DATE: 1/1/2015

SHEET: 2 OF 2