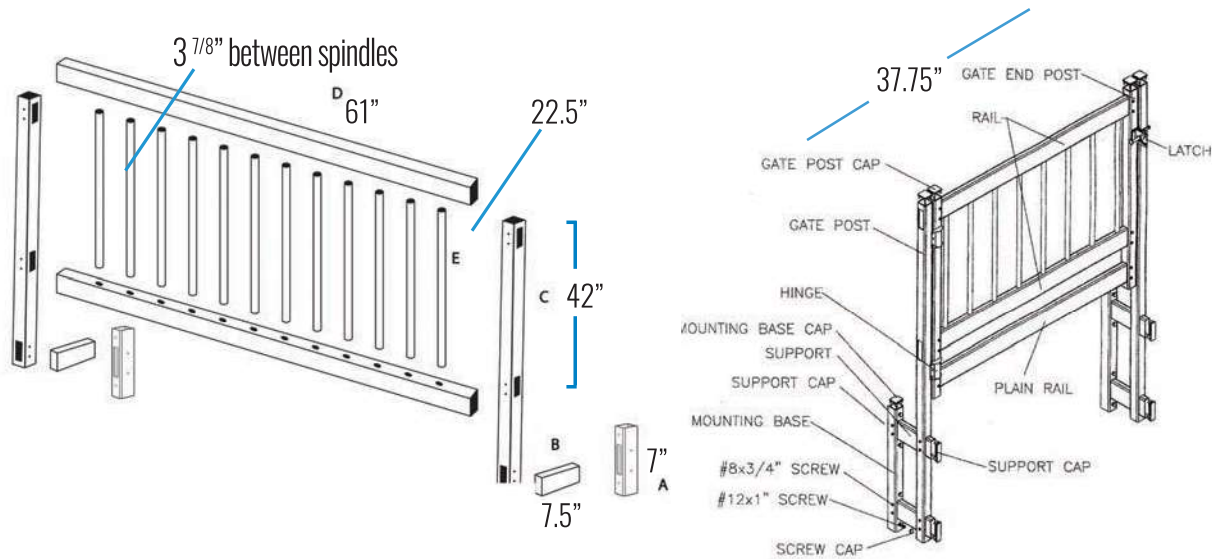


PROTECT-A-POOL® ABOVE GROUND FENCE



ABOVE GROUND FENCE BREAKDOWN

FENCE SECTION KIT COMPONENTS							ABOVE GROUND FENCE GATE		
ITEM	PART NUMBER	COMPONENTS	LIST PRICE	"A" KIT QT.	"B" KIT QT.	"C" KIT QT.	PART NUMBER	COMPONENT	LIST PRICE
A	99-30-4300539	Base	\$5.61	9	3	2	99-30-4300464	Gate End Posts	\$23.03
B	99-30-4300408	Support	\$6.07	9	3	2	99-30-4300484	Gate Posts	\$14.34
C	99-30-4300431	Posts	\$15.37	7	3	2	99-30-4300466	Gate Rails(w/holes)	\$16.90
D	99-30-4300432	Rails	\$21.06	16	6	4	99-30-4300467	Gate Rails (no holes)	\$16.90
E	99-30-4300407	Spindles	\$2.21	96	36	24	99-30-4300407	Spindles	\$2.21
F	99-30-4300405	End Posts	\$14.58	2	0	0	99-30-4300423	Hinge & Latch Kit	\$57.55
-	99-30-4300436	Trim Kit	\$5.08	9	3	2	99-30-4300548	Gate Support Base	\$12.67
-	99-30-4300446	Master Hardware Kit	\$15.50	1	0	0	99-30-4300465	Support	\$5.12
-	99-30-4300447	Add-on Hardware Kit	\$7.47	0	1	1	99-30-4300495	Gate Trim Kit	\$11.52
							99-30-4300419	Gate Hardware Kit	\$8.53

Trim kit and hardware kit quantities depend on which A, B, C fence component and/or gate you are ordering. For quantities, please refer to above list.

