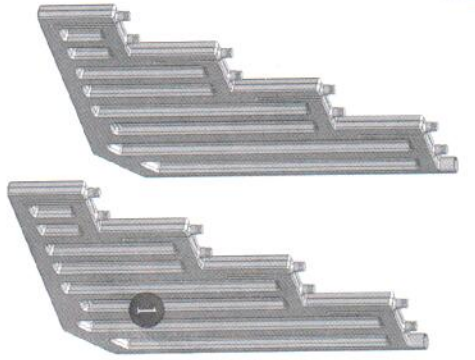
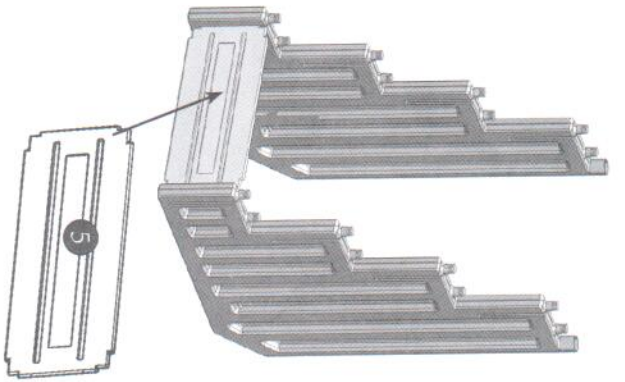


**NORTHFLO**  
POOL EQUIPMENT

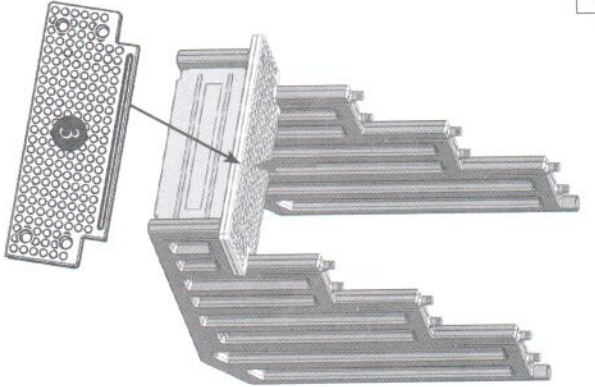
1



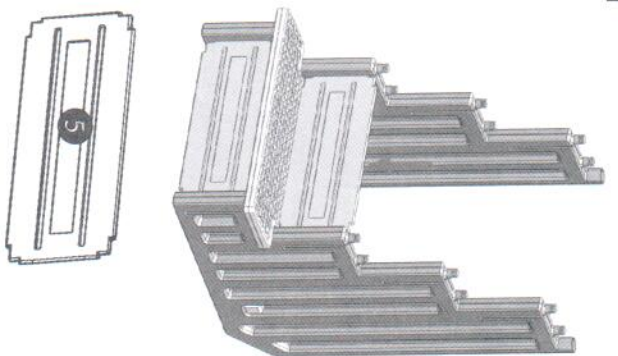
2



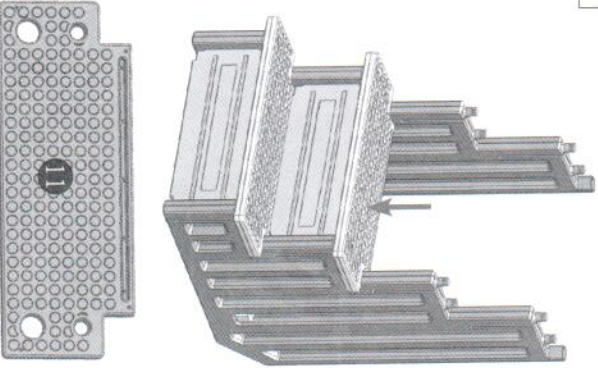
3



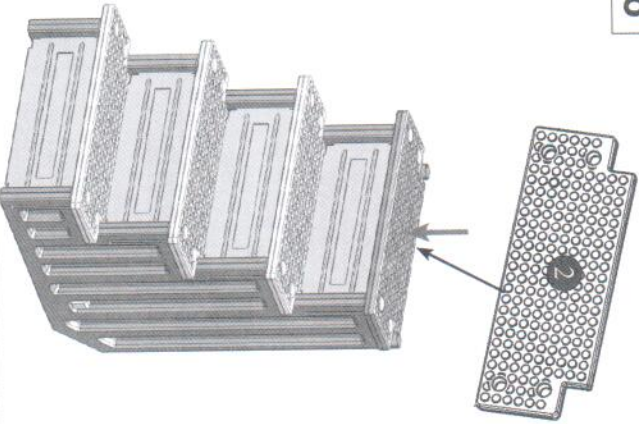
4



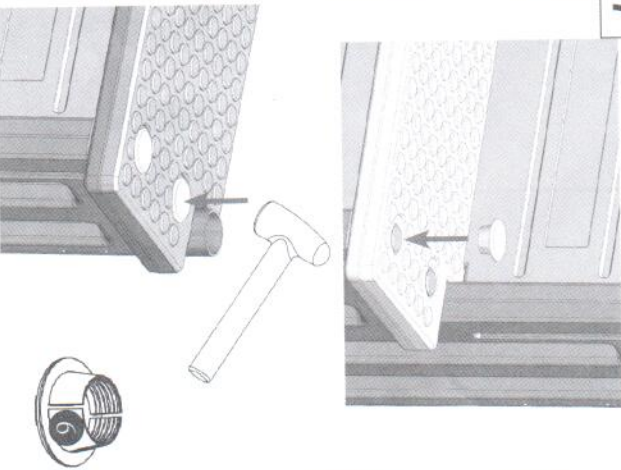
5



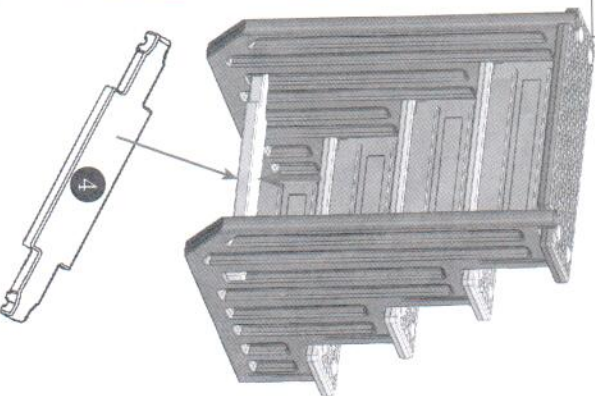
6



7

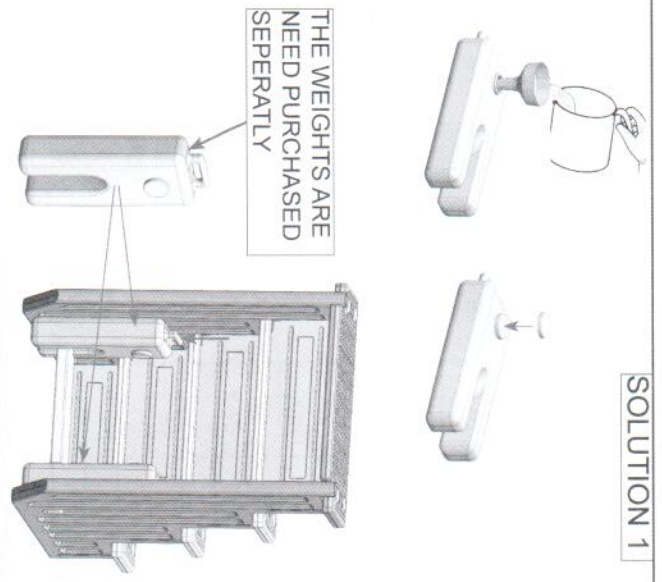


8



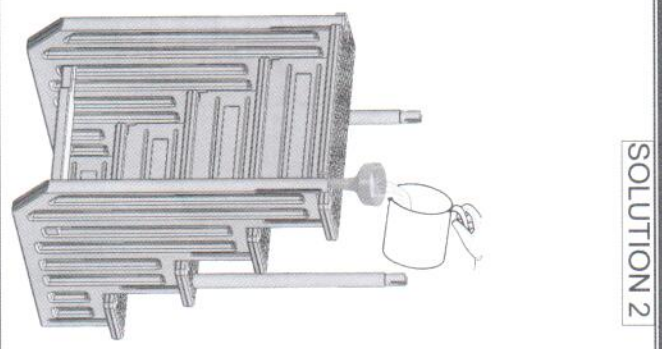
9

SOLUTION 1

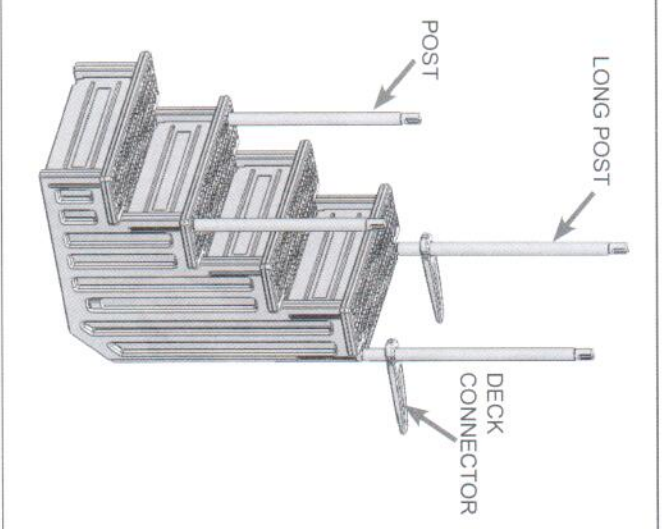


10

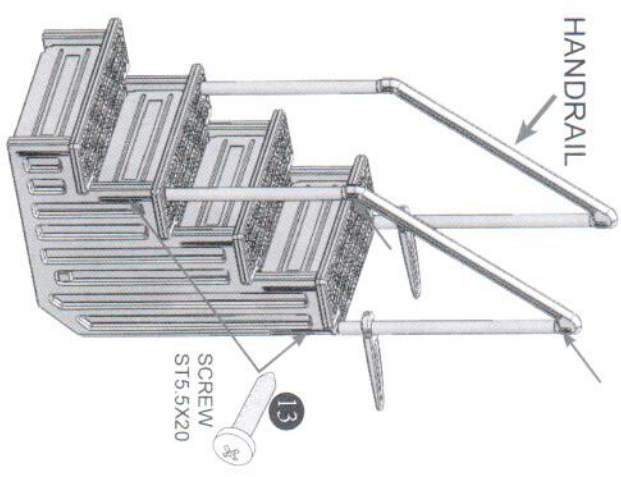
SOLUTION 2



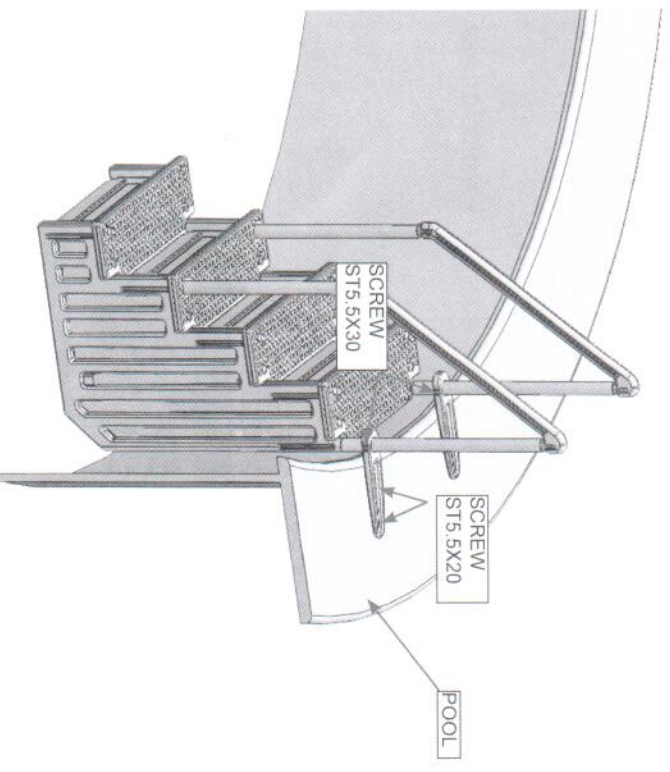
11



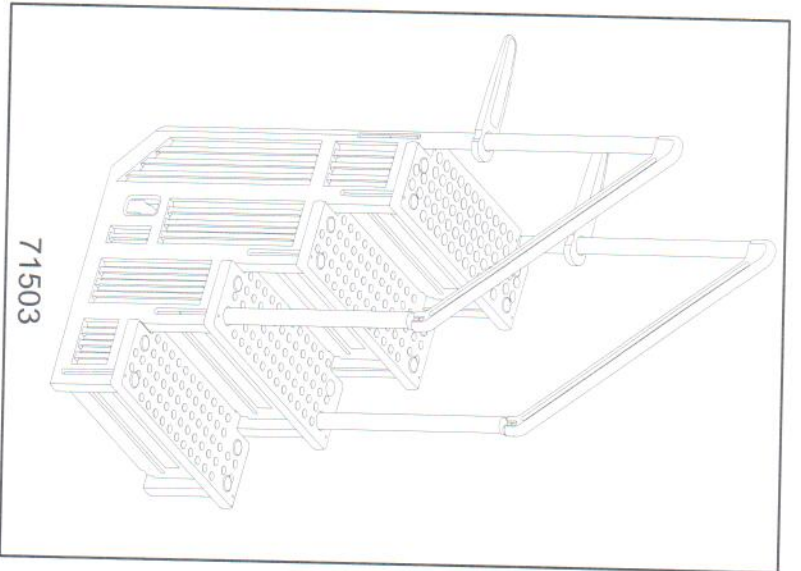
12



13










71503

**INSTRUCTION OF SAFETY:**

- ◆ THE DISTANCE IS ADJUSTABLE FROM 48 TO 54 INCHES (122CM TO 137CM)
- ◆ THE STAIR MUST BE INSTALLED ACCORDING TO THE INSTRUCTIONS OF THE MANUFACTURER.
- ◆ ONE PERSON AT THE SAME TIME ON THE STAIR.
- ◆ ALWAYS FACE THE STAIR TO ENTER OR COME OUT OF THE SWIMMING POOL.
- ◆ NO JUMP OR DIVE FROM THE STAIR.
- ◆ DO NOT SWIM BEHIND OR AROUND THE STAIR.

**Required for the installation**

|   |   |   |   |   |
|---|---|---|---|---|
|  |  |  |  |  |
| Drill   | Drill bit 1/8"  | Star bit  | Mallet  | Sandbags  |

| PART NUMBER | DESCRIPTION    | 71503 |
|-------------|----------------|-------|
| 1           | SIDE PANELS    | 2X    |
| 2           | STEPS          | 1X    |
| 3           | STEPS          | 2X    |
| 4           | LOCATING RACK  | 1X    |
| 5           | RISERS         | 4X    |
| 6           | LOCK CAPS      | 16X   |
| 7           | POST           | 2X    |
| 8           | LONG POST      | 2X    |
| 9           | HANDRAIL       | 2X    |
| 10          | DECK CONNECTOR | 2X    |
| 11          | STEPS          | 1X    |
| 12          | SCREW ST5.5X30 | 4X    |
| 13          | SCREW ST5.5X20 | 16X   |

