

A

B

C

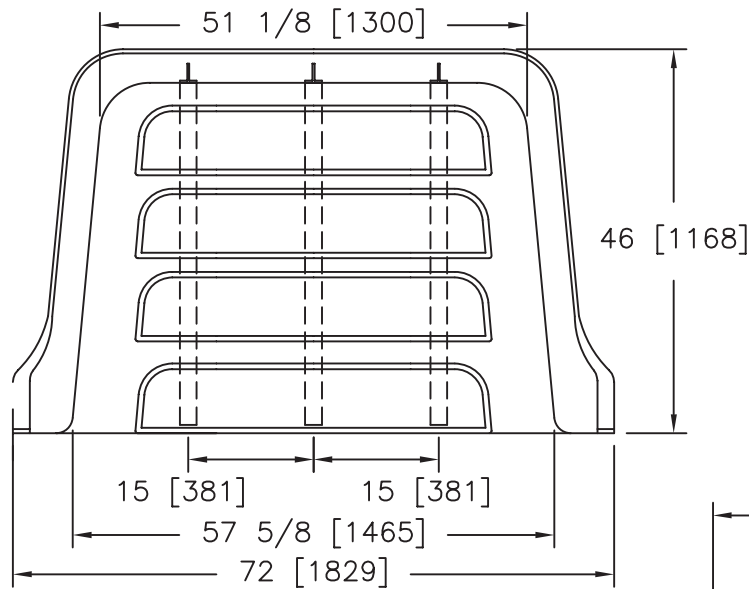
D

1

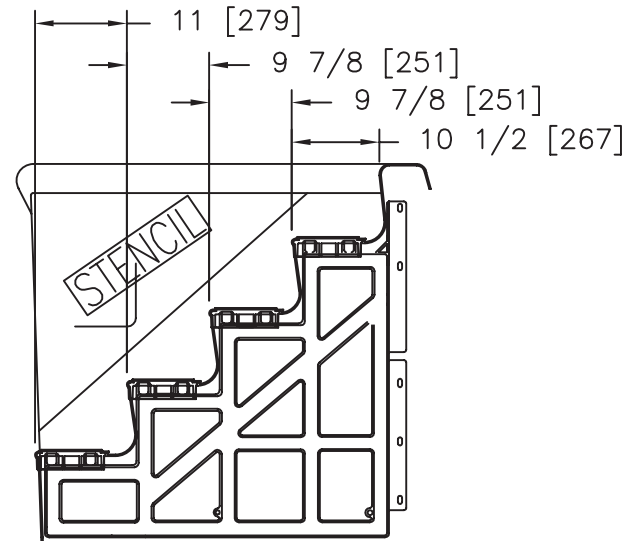
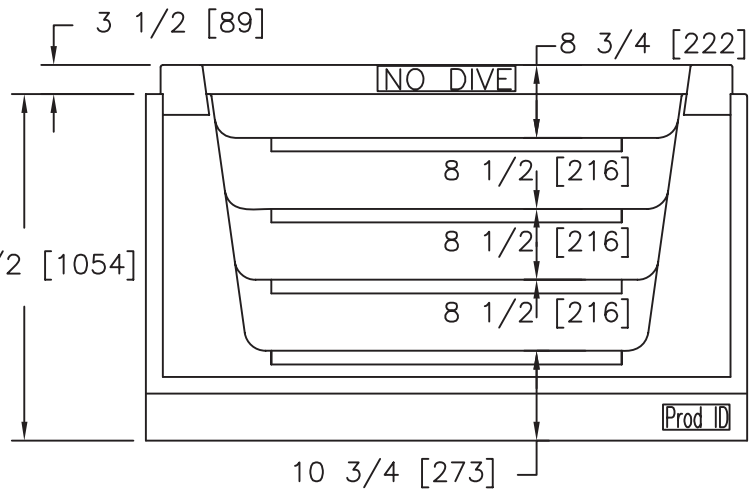
2

3

4



Dimensions shown are approximate
and are for planning only
NOTE: CENTER SUPPORT FOR THIS
STEP IS OPTIONAL



CAT. NUMBER
ST-6018 WHITE

CONFIDENTIAL INFORMATION

ALL MATERIAL CONTAINED HEREIN IS THE EXCLUSIVE PROPERTY OF LATHAM PLASTICS, INC. AND MAY NOT BE COPIED OR DUPLICATED IN ANY FORM OR USED FOR ANY COMMERCIAL PURPOSE WITHOUT THE EXPRESSED WRITTEN CONSENT OF LATHAM PLASTICS, INC.

REVISIONS				
ZONE	REV	DESCRIPTION	DATE	APPROVED
SHEET	A	UPDATE DRAWING FILE	11-25-96	TL
SHEET	B	ADD METRIC DATA	11-17-00	TL
SHEET	C	CHANGE PERFORMANCE TO STANDARD	11/24/03	DM
CUSTOMER				
UNLESS OTHERWISE SPECIFIED: DIMENSIONS ARE IN INCHES TOLERANCES UNLESS OTHERWISE NOTED		PRODUCT		
DECIMALS .XX ± .05 .XXX ± .010		STANDARD		
ANGULAR ± 0.5° DO NOT SCALE DRAWING		PART NAME		
DRAWN		6' [1.83M] STRAIGHT		
CHECKED		SIZE	CAT. NO.	DWG. NO.
DESIGN		LETTER	ST6018	PACIFIC\STEP\6-FOOT\ST6018.DWG
		SCALE	NO SCALE	PROJ. NO.
				SHEET OF
				REV B



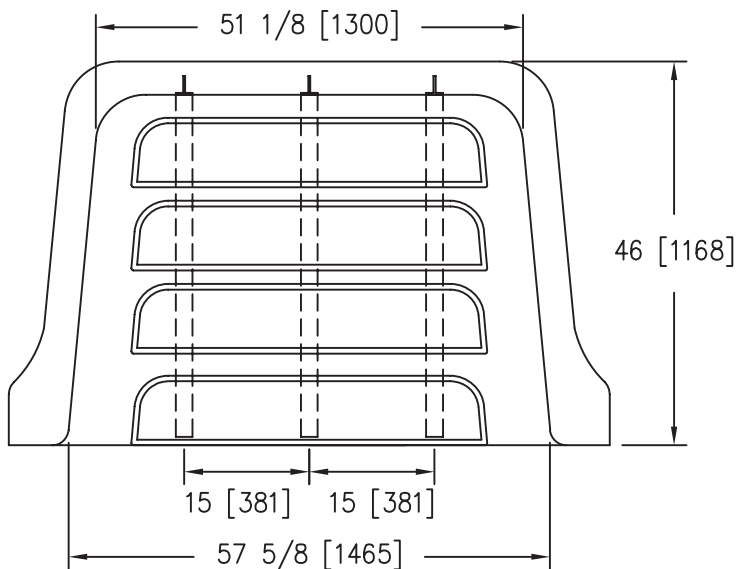
Latham Plastics, Inc.
787 Watervliet - Shaker Road
Latham, New York 12110
ph. 518-951-1000
fax 518-783-0004

A

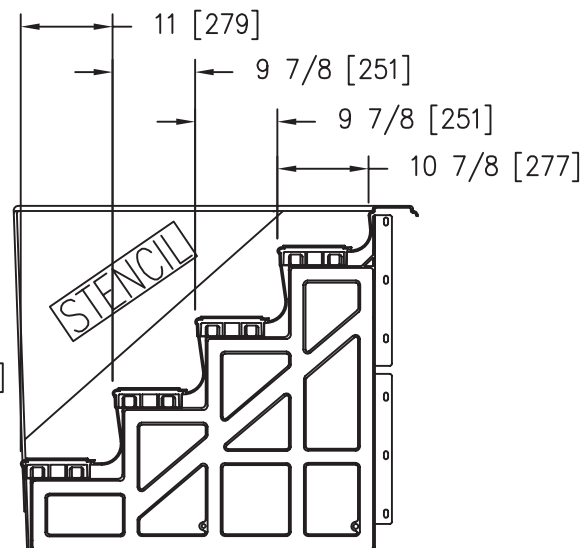
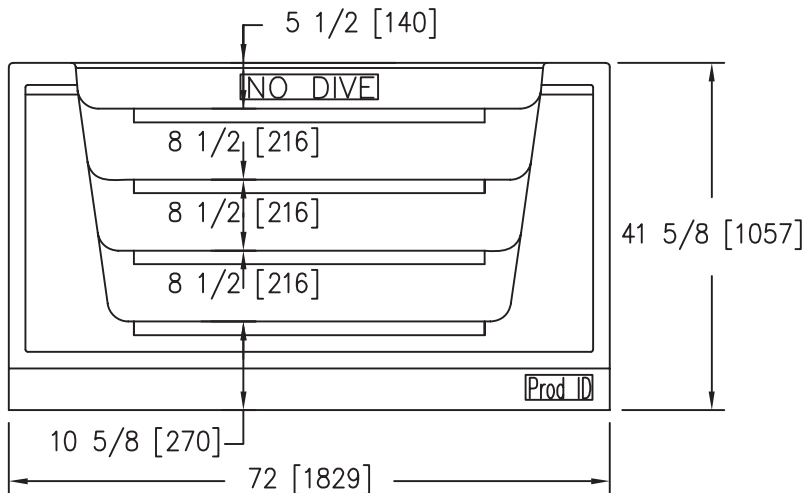
B

C

D



Dimensions shown are approximate
and are for planning only
NOTE: CENTER SUPPORT FOR THIS
STEP IS OPTIONAL



CAT. NUMBER
ST-6019 WHITE

CONFIDENTIAL INFORMATION

ALL MATERIAL CONTAINED HEREIN IS THE EXCLUSIVE PROPERTY OF LATHAM PLASTICS, INC. AND MAY NOT BE COPIED OR DUPLICATED IN ANY FORM OR USED FOR ANY COMMERCIAL PURPOSE WITHOUT THE EXPRESSED WRITTEN CONSENT OF LATHAM PLASTICS, INC.

REVISIONS				
ZONE	REV	DESCRIPTION	DATE	APPROVED
SHEET	A	UPDATE DRAWING FILE	11-25-96	TL
SHEET	B	ADD METRIC DATA	11-17-00	TL
CUSTOMER				
UNLESS OTHERWISE SPECIFIED: DIMENSIONS ARE IN INCHES TOLERANCES UNLESS OTHERWISE NOTED		PRODUCT		
DECIMALS ± .05		PERF. CANTILEVER		
ANGULAR ± 0.5°		PART NAME		
.XXX ± .010		6' [1.83M] STRAIGHT		
DO NOT SCALE DRAWING		DRAWN		
DRAWN		DATE		
CHECKED		SIZE	CAT. NO.	DWG. NO.
DESIGN		LETTER	ST6019	PACIFIC\STEP\6-FOOT\ST6019.DWG
		SCALE	NO SCALE	PROJ. NO.
		SHEET		OF
		REV		B



Latham Plastics, Inc.
787 Watervliet - Shaker Road
Latham, New York 12110
ph. 518-951-1000
fax 518-783-0004