

JXi HEATER
POOL & SPA HEATER



**Ultra-Compact
Lightweight Design
Easy to Install**



NEW



Hot things come in small sizes

The JXi heater sets a new standard in pool and spa heating technology with its ultra-compact size, lightweight design, and installation flexibility, making it a top choice for pool professionals and pool owners everywhere. The high-efficiency, low-NOx JXi is available in four BTU sizes, 200K*, 260K, 330K*, 399K, and offered in both natural and propane gas models.

Fastest Installation

Pro-driven features for the fastest, most customer-friendly installation include:

Ultra-Compact

2' x 2' footprint for small space requirements and maximum installation flexibility**

Lightweight Design

Weighs less than 126 pounds unpackaged for easy maneuverability and transport.

Best Retrofit Option

Plumbing flexibility for quick Mastertemp® and Max-E-Therm® replacement that requires no plumbing adjustments***

Easy to Control

RS485 digital interface is AquaLink®/iAquaLink-compatible for pool and spa automation.



*Coming soon.

**Refer to JXi manual for proper heater clearances that may apply.

***Please see Easy Replacement section on next page.

Energy Efficient

83% thermal efficiency rating and **low-NOx** design surpasses strict DOE Energy Efficiency requirements.

Automation-Ready

Convenience built in. AquaLink/iAquaLink-compatible with its RS485 interface.



AquaLink® / iAquaLink™
COMPATIBLE
Sold separately

Features

Major competitor model*



Ultra-Compact Lightweight Design

Easy to store, transport, and install, JXi™ is 38% lighter with a 28% smaller footprint.

*Compared to major competitor models



Flexible Installation

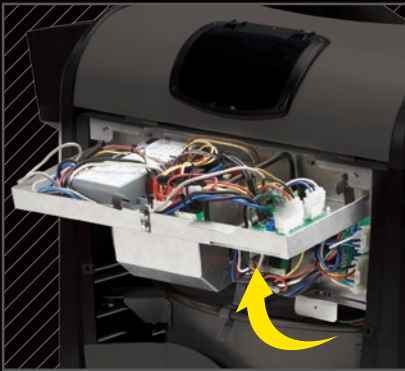
180° rotatable top so you never need to rotate headers.



Versa Plumb®-Ready

Installation in the VersaPlumb system* reduces plumbing costs and increases energy efficiency, all using the smallest footprint available.

*Sweep elbow included in all JXi models



Easy Access

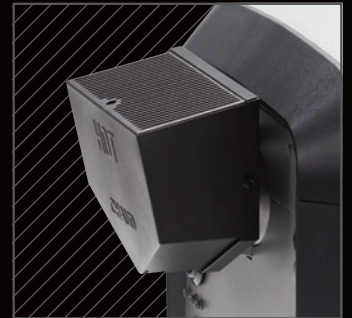
Electrical panel flips up for ease of service.



Drop-in replacement of MasterTemp heater

Easy Replacement

3-port header for easy plumbing and drop-in replacement of MasterTemp®, Max-E-Therm®, and Jandy® Pro Series heaters.

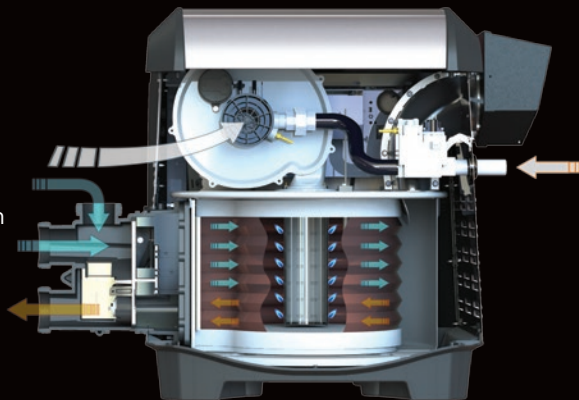


Sidewall Ventilation

Provides versatility and ease of installation.

High-Efficiency Gas Train and Heat Exchanger Design

1. Copper fin heat exchanger tubes for efficient heat transfer
2. Single stainless steel burner with robust design
3. Blower-driven gas and air mix for reliable performance
4. Hot surface ignitor for consistent start-ups



User-Friendly Control

Digital interface for effortless temperature control and diagnostics with run-time and cycle meter.



Additional Features



Corrosion-resistant stainless steel header bar for extreme heat exchanger durability.



Venturi driven air and gas mix for enhanced performance.



Reliable, balanced flow and temperature control with thermal regulator valve.



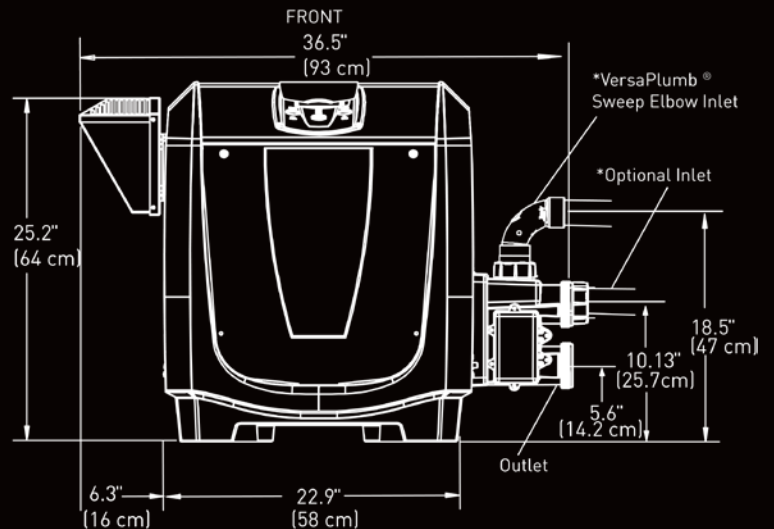
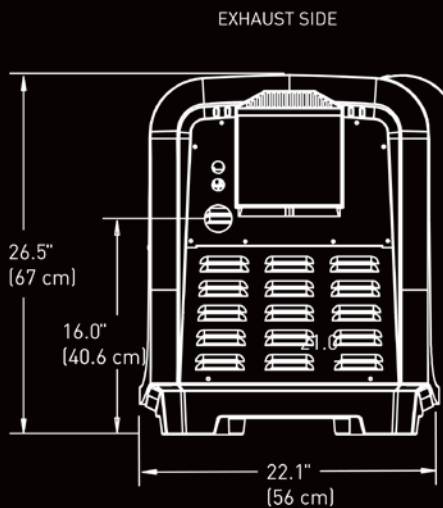
Differentiated limit switches meet applicable product safety standards.



Corrosion-resistant temperature sensors for reliable operation.

Ultra-Compact, Lightweight Design

Fits 2' x 2' pad and only weighs 126 lbs. or less.



NOTE: Dimensions are identical on all heater models

Model Number	Firing Rate	Width	Vent Diameter	Depth	Height	Weight	Minimum GPM	Maximum GPM
JXi200**	200K BTU	22.9"	6" (15 cm)	22.1"	26.5"	117 lbs.*	20	120
JXi260	260K BTU	22.9"	7" (18 cm)	22.1"	26.5"	120 lbs.	25	120
JXi330**	330K BTU	22.9"	8" (20 cm)	22.1"	26.5"	123 lbs.*	30	120
JXi400	399K BTU	22.9"	8" (20 cm)	22.1"	26.5"	126 lbs.	40	120

* Actual weight may vary.
** Available in 2015

4 units per pallet



Zodiac Pool Systems, Inc.
2620 Commerce Way, Vista, CA 92081
1.800.822.7933 | www.ZodiacPoolSystems.com

Zodiac Pool Systems Canada, Inc.
2115 South Service Road West, Unit #3, Oakville, ON L6L 5W2
1.888.647.4004 | www.ZodiacPoolSystems.ca

