



AQUALUMINATOR® LIGHT AND RETURN WATER FLOW FOR ABOVE GROUND SWIMMING POOLS

INSTALLATION AND USER'S GUIDE

IMPORTANT SAFETY INSTRUCTIONS *READ AND FOLLOW ALL INSTRUCTIONS* SAVE THESE INSTRUCTIONS

Contents

SECTION I.	IMPORTANT SAFETY INSTRUCTIONS	2
SECTION II.	LAMP HOUSING INSTALLATION	2
SECTION III.	ELECTRICAL CONNECTIONS FOR STORABLE POOLS	5
SECTION IV.	RELAMPING INSTRUCTIONS	5
SECTION V.	STORAGE AND WINTERIZING INSTRUCTIONS	7
SECTION VI.	TECHNICAL DATA	8
	A. Replacement Parts	8
SECTION I.	IMPORTANTES CONSIGNES DE SÉCURITÉ	10

WARNING

Before installing this product, read and follow all warning notices and instructions accompanying this light. Failure to follow safety warnings and instructions can result in severe injury, death, or property damage. Call (800) 831-7133 for additional free copies of these instructions.

Important Notice



Attention Installer.

This manual contains important information about the installation, operation and safe use of this product. This information should be given to the owner/operator of this equipment.

Pentair Aquatic Systems

1620 Hawkins Ave., Sanford, NC 27330 • (800) 831-7133 or (919) 566-8000

10951 W. Los Angeles Ave., Moorpark, CA 93021 • (800) 831-7133 or (805) 553-5000

P/N 99720000 REV. L 3/5/13



SECTION I. IMPORTANT SAFETY INSTRUCTIONS

When installing and using this electrical equipment, basic safety precautions should always be followed, including the following.

1. This light can be installed on storable above ground or permanent above ground pools.
2. A storable pool has a maximum water depth of 42 inches and is so constructed that it may be readily disassembled for storage and re-assembled to its original integrity.
3. A permanent pool has a maximum water depth of **over** 42 inches. Do not install on therapeutic pools, hydro-massage bathtubs, spas or hot tubs.
4. To reduce the risk of electric shock, if any cord becomes damaged, return the entire transformer assembly for repair or replacement.
5. Risk of entrapment, injury or death. Use plumbing passageways only to return water to pool. Do not use as a suction device.
6. Risk of electrical shock. Connect only to a grounding type circuit protected by a ground fault circuit interrupter (GFCI). Contact a licensed electrician if you cannot verify that the receptacle or circuit is protected by a GFCI. Do not use an extension cord.
7. Locate your pool so that the wall is at least 10 feet from all electrical receptacles and at least 20 feet from all receptacles not protected by a GFCI. It is also very important to locate the pool so that it is not under any electrical wiring, that is less than 18 feet vertically above the pool wall and within an area located 10 feet outside the pool walls. The pool must also never be located under any lighting fixture or within five (5) feet measured horizontally from any fixture mounted less than five (5) feet vertically above the pool water level.
8. Risk of injury. Install the top of the lens with a minimum of 8 inches and a maximum of 10 inches below top of pool wall or in manufacturers pre-punched return fitting hole.
9. Do not use electrical equipment within 10 feet of pool wall unless specifically U.L. listed for that use.

SECTION II. LAMP HOUSING INSTALLATION

NOTE

Installation of the lamp housing into the pool wall is the same for both the storable and the permanent above ground pools.

1. Remove the bulb retainer nut and push the bulb assembly out from the rear of the fitting body so that it will come out of the front of the fitting. The flow director will come off along with the bulb assembly; see Figure 1. Push the red cap/plug in the end of the bulb assembly. It will be removed later.
2. Unscrew the threaded wall flange from the fitting body by rotating it counter-clockwise.

NOTE

Retain the gaskets supplied and keep them accessible.

3. Use the thread seal tape provided. Snugly wrap the threaded wall flange in a clockwise direction (as viewed from the back) starting at the edge of the threads; see Figure 2. Work towards the flange lip (overlapping 1/2 of the tape width with each wrap) then back towards the starting point.
 - If you have a new pool, move on to step 10.
 - If the water level is below the return fitting on an existing pool, remove the old fitting and move on to step 10.
 - If the pool is full of water, follow steps 5 through 9.

NOTE

Steps 4 through 8 require two (2) No. 9 winterizing plugs (not supplied).

4. Remove the existing eyeball fitting from the return fitting on your pool wall, see Figure 3.
5. Place a winterizing plug in the front side of the existing return fitting and disconnect the return hose and clamp from the existing fitting.
6. Place a winterizing plug in the front side of the AquaLuminator threaded wall flange
7. While holding the existing return fitting from the inside of the pool, remove the large nut or the existing fitting body on the outside of the pool wall.
8. Using a folded rag in the palm of your hand, push the old return fitting out of the wall from the outside of the pool; see Figure 4. Hold the rag firmly against the wall to prevent water spillage.
9. Insert the flange and gasket from the inside of the pool through the hole cut out for the inlet fitting. Ensure that the threaded wall flange is centered on the hole.
10. Take the remaining gasket and put it on the threaded wall flange from the outside of the pool; see Figure 5. Standard sheet metal walls will have one gasket and one spacer left over. Do not use these two items, as they are for use on narrow interlocking wall panels only.

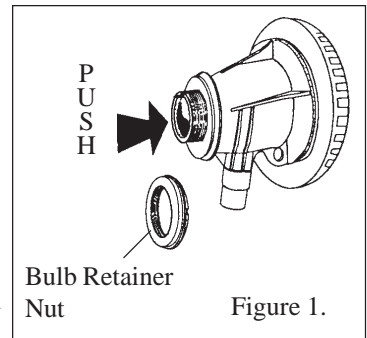


Figure 1.

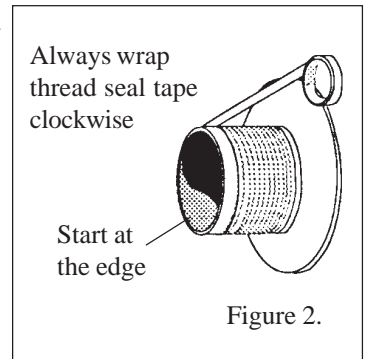


Figure 2.

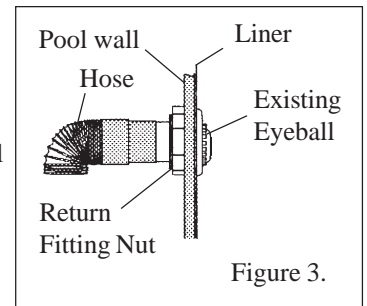


Figure 3.

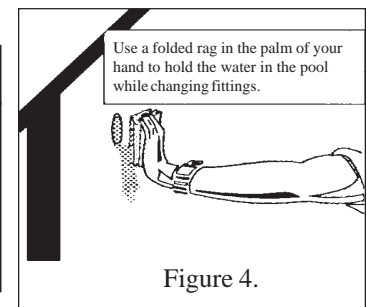
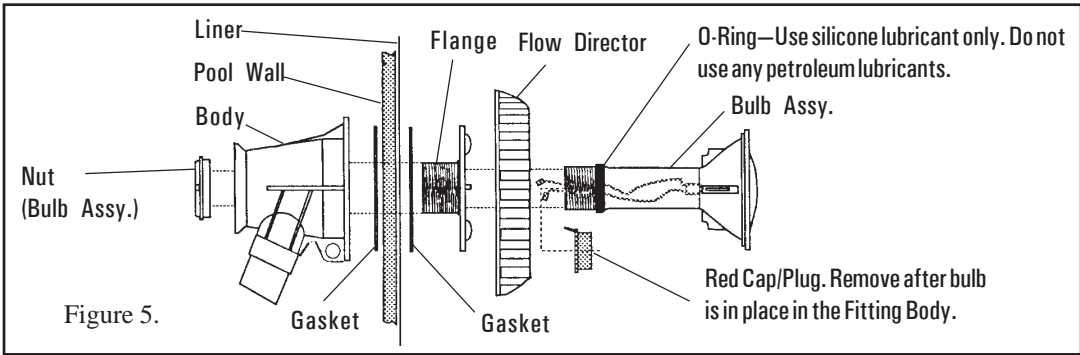


Figure 4.

⚠ CAUTION

For narrow, interlocking, extruded aluminum wall panels, center flange between the ridges while viewed from the inside of the pool. Add the spacer and additional gasket to the flange before inserting the flange through the wall panel. This is necessary to accommodate a fountain attachment.



11. With the inlet port of the fitting body in the 3 O'clock position, place the fitting body against the threads of the flange and keeping the inlet port in the 3 O'clock position; see Figure 6. Hand tighten the flange as tight as possible. Rotate the flange, not the body.

⚠ WARNING

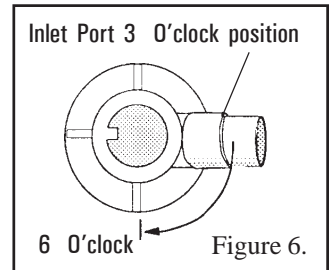
The light fixture must be mounted so that the word "top" is at the top of the fixture when installed. Incorrect orientation and a low water condition can damage the light fixture.



⚠ CAUTION

Do not over tighten the flange.

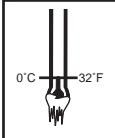
12. To complete the tightening process, hold the flange in place and rotate the fitting body until the inlet port is in the 6 o'clock position; see Figure 6.
13. Take a hose clamp and place it over the return hose cuff.
14. Slip the return hose from the equipment, over the inlet port, and tighten the hose clamp securely; see Figure 7.
15. Take the bulb assembly and insert it through the flow director. Note the aligning keyway on the bulb assembly as shown in Figure 8. The keyway must point in the same direction as the top key on the fitting body.
16. Now, from inside the pool, push the bulb assembly and flow director with the red cap/plug in place into the fitting body until the bulb assembly/flow director are nearly flush against the inside pool wall.
17. Thread the bulb assembly nut until it just touches the fitting body, then finger tighten.



⚠ CAUTION

Do not over tighten as adjustability of the flow director may be impaired and/or damage to parts causing leakage may occur. If the flow director does not rotate by hand, the nut is too tight.

18. Take the red cap/plug off and gently bring the wire connectors through the back side of the bulb assembly. Save the red cap/plug for storage and winterizing.



⚠ CAUTION

This lighting fixture may be damaged if subjected to freezing weather. See winterizing instructions for details on how to store the bulb assembly.

SECTION III. ELECTRICAL CONNECTIONS FOR STORABLE POOLS

1. Connect the wire connectors from the bulb assembly to the wire connectors attached to the snap-on cord cap.

NOTE

There is no polarity (no positive or negative) to the wires, either connection will work.

2. Snap the cap onto the end of the body and turn so that the electrical cord is pointing down.
3. Mount the transformer on the vertical wall using the single screw provided.
4. Plug the power cord's 3-prong plug into an appropriate 110V GFCI protected receptacle at least 10 feet from the pool.
5. If the light is not on, press the switch on the transformer case *once*.

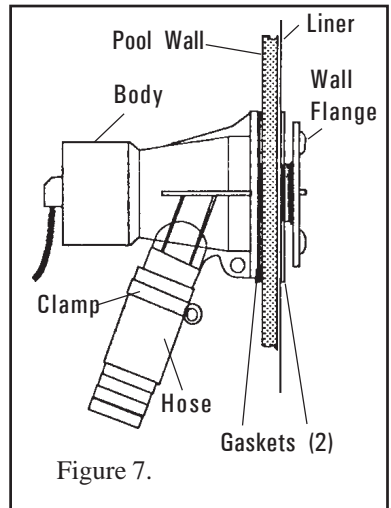
⚠ WARNING



Risk of electric shock. Connect only to a grounding-type receptacle protected by a GFCI. Do not use extension cords for connection. Failure to do so can result in death or severe personal injury.

⚡WHAT IS A GFCI???

A Ground Fault Circuit Interrupter is an electrical safety device designed to measure electrical leakage in a circuit. It is far more sensitive than a standard circuit breaker. GFCI equipped breakers and outlet combinations react to unsafe leakage and shut the power off before electrical shock injury can occur. Any electrical device used within 10 feet of a pool must be protected by a GFCI equipped outlet or a GFCI equipped circuit breaker and be intended for such use.



SECTION IV. RELAMPING INSTRUCTIONS

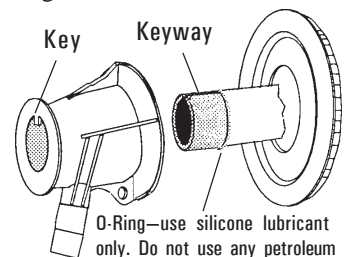
⚠ WARNING



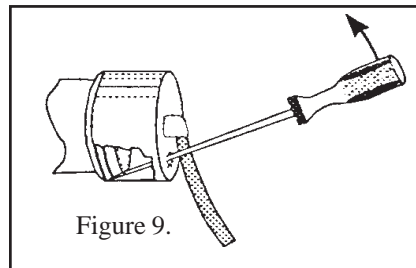
Risk of electric shock. Disconnect power before servicing this unit. Failure to disconnect power can result in death or severe personal injury.

1. It is desirable to reduce the water level to the lower edge of the flow director. This makes bulb assembly replacement easier, but it is not mandatory.

Figure 8.



2. Remove power from the unit by taking the power cord's 3-prong plug and disconnecting it from its electrical outlet, or in the case of a hard-wired application, by turning the respective circuit breaker to the OFF position.
3. Remove the snap-on cord cap by inserting a slotted screw driver into the access hole as illustrated in Figure 9 and prying upwards.



4. Disconnect both wire connectors and put the snap-on cord cap aside in a dry location and remove the bulb assembly nut.
5. At this point you should have the new replacement bulb assembly accessible and confirm that the red cap/plug is pressed firmly into the bulb assembly to prevent water from entering the bulb assembly.
6. If you were able to lower the water level as suggested in step 1, then simply remove the old bulb assembly by pulling on the flow director while pushing the bulb assembly from the outside of the pool. If you were unable to lower the water level, follow these instructions: push the bulb assembly out from the outside of the pool, keeping the back of the fitting covered with a folded rag in the palm of your hand to prevent water loss from the rear of the fitting body; see Figure 4. Pull the flow director and bulb.
7. Take the new replacement bulb assembly with the red cap/plug in place and insert the bulb assembly through the flow director. Note the aligning keyway on the bulb assembly as shown in Figure 8. The keyway must point in the same direction as the top key on the fitting body.

Now, from inside the pool, push the bulb assembly with the flow director into the fitting body until both are nearly flush against the inside pool wall. You can now remove your hand and the fitting should again be sealed.

8. Thread the bulb assembly nut until it just touches the fitting body, then finger tighten.

	CAUTION
<p>Do not over tighten as adjustability of flow director may be impaired and/or damage to parts causing leakage may occur. If low director does not rotate by hand, nut is too tight.</p>	

9. Take the red cap/plug off and gently bring the wire connectors through the back side of the bulb assembly. Save red cap/plug for storage and winterizing.
10. Connect the wire connectors from the bulb assembly to the wire connectors attached to the snap-on cord cap.

NOTE

There is no polarity (no positive or negative) to the wires, either connection will work.

11. Snap cap onto end of body and turn so that the electrical cord is pointing down; see Figure 10.

⚠ WARNING



Risk of electric shock. Connect only to a circuit protected by a GFCI. Failure to do so can result in death and/or serious injury.

12. Reconnect the power to a circuit in accordance with the appropriate electrical connections. See Section III, Electrical Connections. If the light is not on, press the switch on the transformer case *once*.

⚠ WARNING



This is an electrical appliance. Unsupervised use of this product by children can result in injury and/or death.

SECTION V. STORAGE AND WINTERIZING INSTRUCTIONS

1. It is common practice to drain the water level to a point below the skimmer and the light, for winterizing.
2. **For storable pools:** remove power from the unit by taking the power cords' three-prong plug and disconnecting it from its electrical outlet.
3. Remove the snap-on cord cap by inserting a slotted screwdriver into the access hole and prying upwards; see Figure 9, Section IV, Relamping Instructions.
4. The wire connectors should be gently disconnected and pushed into the rear of the bulb assembly.
5. Push red cap/plug into rear of bulb assembly to seal it.
6. Remove the bulb assembly nut.
7. Remove the bulb assembly by pulling on the flow director while pushing the bulb assembly from the outside of the pool.

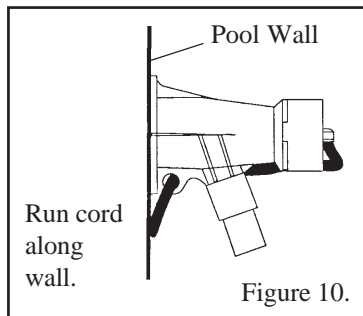


Figure 10.

NOTE

The fitting body, threaded wall flange and gaskets may remain attached to the pool wall when winterizing, but should be removed if pool is to be stored.

8. **For storable pools:** remove the transformer from its mounting by lifting up and out.
9. Place all the parts together in a box and store indoors.

When reinstalling bulb assembly next season do not use petroleum base product.

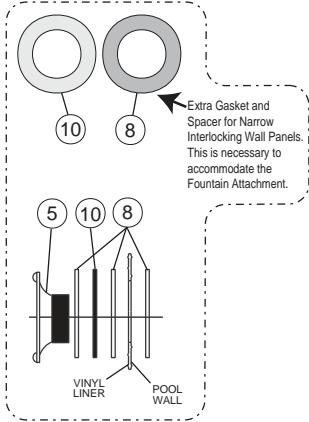
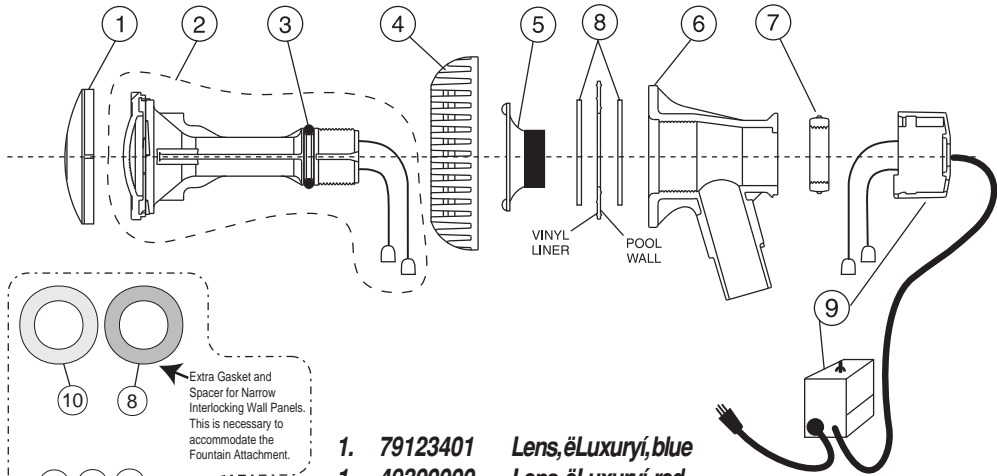
⚠ CAUTION



Do not use any petroleum base lubricant. Petroleum base products will destroy plastic parts. Lubricate o-ring with a silicone lubricant only. A new o-ring should be used each time the bulb assembly is removed.

SECTION VI. TECHNICAL DATA

A. REPLACEMENT PARTS



- | | | |
|------------|-----------------|---|
| 1. | 79123401 | Lens, ëLuxuryí, blue |
| 1. | 49300000 | Lens, ëLuxuryí, red |
| 2. | 619479 | Bulb Assy. w/Dimple Lens |
| 3. | 79116900 | O-ring |
| 4. | 79102800 | Flow Director |
| 5. | 79118300 | Wall Flange, Threaded |
| 6. | 79126900 | Fitting Body |
| 7. | 79116600 | Nut |
| 8. | 79116800 | Gasket (2) |
| 9. | 79103502 | Trans. Assy. with cord and cap CSA |
| 10. | 79110700 | Spacer, Mounting |

SAVE THESE INSTRUCTIONS



1620 HAWKINS AVE., SANFORD, NC 27330 • (919) 566-8000
 10951 WEST LOS ANGELES AVE., MOORPARK, CA 93021 • (805) 553-5000
 WWW.PENTAIR.COM

All Pentair trademarks and logos are owned by Pentair, Inc. Pentair Aquatic Systems™, AquaLuminator® are trademarks and/or registered trademarks of Pentair Water Pool and Spa, Inc. and/or its affiliated companies in the United States and/or other countries. Unless expressly noted, names and brands of third parties that may be used in this document are not used to indicate an affiliation or endorsement between the owners of these names and brands and Pentair Water Pool and Spa, Inc. Those names and brands may be the trademarks or registered trademarks of those third parties. Because we are continuously improving our products and services, Pentair reserves the right to change specifications without prior notice. Pentair is an equal opportunity employer.

© 2013 Pentair Aquatic Systems.

P/N 99720000 REV. L 3/5/13

MANUEL DU PROPRIÉTAIRE - LUMINAIRE ET RAPPEL D'EAU AQUALUMINATOR® POUR PISCINES DE SURFACE

IMPORTANTES CONSIGNES DE SÉCURITÉ *LISEZ ET OBSERVEZ TOUTES LES CONSIGNES* CONSERVEZ CES CONSIGNES EN LIEU SÛR

Table des matières

SECTION I.	IMPORTANTES CONSIGNES DE SÉCURITÉ	10
SECTION II.	INSTALLATION DU BOÎTIER DE LA LAMPE	10
SECTION III.	BRANCHEMENTS ÉLECTRIQUES POUR LES PISCINES DÉMONTABLES	13
SECTION IV.	MODE D'EMPLOI POUR LE REMPLACEMENT DE LA LAMPE	13
SECTION V.	MODE D'EMPLOI POUR LE DÉMONTAGE ET L'HIVERNAGE	15
SECTION VI.	FICHE TECHNIQUE	16
	A. Pièces de rechange	16

AVERTISSEMENT

Avant d'installer ce produit, lisez et observez tous les avertissements et consignes qui accompagnent ce luminaire. Tout manquement aux avertissements et consignes de sécurité peut entraîner des blessures graves, la mort ou des dégâts matériels. Pour recevoir gratuitement des copies supplémentaires du manuel, appelez le (805) 553-5000.

Avis important



Avis à l'installateur :

Le présent manuel comprend des renseignements importants pour l'installation, la mise en marche et l'utilisation sans danger de ce produit. Ces renseignements doivent être transmis au propriétaire ou à la personne responsable de l'opération de cet équipement.

SECTION I. IMPORTANTES CONSIGNES DE SÉCURITÉ

Pendant l'installation et l'utilisation de cet équipement électrique, il convient toujours de prendre des mesures de sécurité élémentaires, y compris les précautions suivantes :

1. Ce luminaire peut être installé sur les piscines de surface démontables ou permanentes.
2. Les piscines démontables ont une profondeur d'eau maximale de 42 pouces (107 cm) et sont conçues de manière à pouvoir être démontées pour le rangement puis montées à nouveau de façon à retrouver leur forme originale intégrale.
3. Les piscines permanentes ont une profondeur d'eau maximale de **plus de** 42 pouces (plus de 107 cm). Ne pas installer ce luminaire sur les piscines de type thérapeutique, les baignoires à hydro-massage, les bains à jet propulsé ou les hot tubs.
4. Afin de réduire les risques d'électrocution, si un fil électrique se trouve endommagé, il est préférable de renvoyer le bloc transformateur tout entier pour le faire réparer ou remplacer.
5. Risque de prise au piège, de blessures ou de mort : pour acheminer l'eau vers la piscine, utiliser uniquement les canalisations de plomberie. Ne jamais utiliser comme appareil de succion.
6. Risque d'électrocution : branchez le luminaire uniquement sur un circuit avec prise de terre protégé par un disjoncteur de fuite de terre. Si vous ne pouvez pas vous assurer que la prise ou le circuit est protégé par un disjoncteur de fuite de terre, contactez un électricien agréé. Ne pas utiliser de rallonge.
7. Placez votre piscine de manière que la paroi soit séparée de toute prise électrique par une distance d'au moins 10 pieds (3 m) et de toute prise non protégé par un disjoncteur de fuite de terre par une distance d'au moins 20 pieds (6 m). Il est également très important de placer la piscine de telle manière qu'elle ne se trouve sous aucune installation électrique électrique suspendu à une hauteur verticale de moins de 18 pieds (5 m 50) au-dessus de la paroi de la piscine ou dans un rayon de 10 pieds (3 m) autour des parois de la piscine. La piscine ne doit également en aucun cas être située sous un dispositif d'éclairage, ni dans un rayon horizontal de cinq (5) pieds (1 m 50) autour d'un dispositif installé à une hauteur verticale de moins de cinq (5) pieds (1 m 50) au-dessus de la surface de l'eau de la piscine.
8. Risque de blessures : installez la lentille de telle manière que son bord supérieur soit à une profondeur de 8 pouces (20 cm) au minimum, et de 10 pouces (25.5 cm) au maximum, à partir du haut de la paroi de la piscine, ou bien dans l'ouverture prédécoupée par le fabricant pour le raccord de rappel d'eau.
9. N'utilisez aucun équipement électrique dans un rayon de 10 pieds (3 m) de la paroi de la piscine, sauf s'il est expressément certifié U. L. (Underwriters Laboratories) pour cet usage.

SECTION II. INSTALLATION DU BOÎTIER DE LA LAMPE

NOTE

L'installation du boîtier de la lampe dans la paroi de la piscine se fait de la même manière sur les piscines démontables et sur les piscines de surface.

1. Ôtez la bague de serrage de l'ampoule et poussez le bloc ampoule hors du corps du raccord par l'arrière afin de le faire sortir du raccord par l'avant. L'orienteur d'écoulement se détachera en même temps que le bloc ampoule (voir figure 1). Enfoncez le bouchon/tampon rouge dans l'arrière du bloc ampoule. Il sera retiré ultérieurement.
 2. Dévissez le collet mural fileté pour le retirer du raccord en tournant dans le sens contraire des aiguilles d'une montre.
-

NOTE

Mettez de côté les deux joints d'étanchéité compris dans l'emballage et gardez-les à portée de main.

3. Enroulez le ruban adhésif (compris dans l'emballage) autour du collet mural fileté en serrant bien, dans le sens des aiguilles d'une montre (vu de l'arrière), en commençant au bord du filet (voir figure 2) et en allant vers l'aile du collet mural (faites chevaucher à chaque tour la moitié de la largeur du ruban adhésif), puis revenez en arrière jusqu'à votre point de départ.
- Si vous venez d'acquérir une piscine neuve, sautez les étapes suivantes et lisez à partir de l'étape 10.
- Sur une piscine déjà existante, si le niveau de l'eau est en-dessous du raccord de rappel d'eau, retirez l'ancien raccord et lisez à partir de l'étape 10.
- Si la piscine est remplie d'eau, suivez les étapes 5 à 9.

NOTE

Pour réaliser les étapes 4 à 8, vous aurez besoin de deux (2) bouchons d'hivernage n° 9 (non compris dans l'emballage).

4. Retirez le bouchon central existant du raccord de rappel d'eau situé dans la paroi de votre piscine (voir figure 3).
5. Mettez un bouchon d'hivernage dans la face avant du raccord de rappel d'eau existant et détachez du raccord existant le tuyau de rappel d'eau et sa bride de serrage.
6. Mettez un second bouchon d'hivernage dans la face avant du collet mural fileté de l'AquaLuminator.
7. De l'intérieur de la piscine, maintenez en place le raccord de rappel d'eau existant et retirez la grosse bague ou le raccord existant sur la paroi extérieure de la piscine.
8. Avec la paume de votre main, appliquez un chiffon plié sur la paroi de la piscine et poussez l'ancien raccord de rappel d'eau hors de la paroi à partir de l'extérieur (voir figure 4). Maintenez le chiffon bien collé contre la paroi afin d'éviter l'écoulement d'eau.
9. De l'intérieur de la piscine, introduisez le collet mural fileté avec un joint d'étanchéité dans l'ouverture pratiquée pour le raccord d'arrivée d'eau. Assurez-vous que le collet mural est bien centré par rapport à l'ouverture.
10. Prenez un second joint d'étanchéité et enfillez-le, à partir de l'extérieur de la piscine, sur le collet mural fileté (voir figure 5). Pour les piscines standard à parois en tôle, il restera un joint et un patin d'espacement inutilisés. N'utilisez pas ces deux pièces ; elles sont conçues uniquement pour les parois étroites enclenchables.

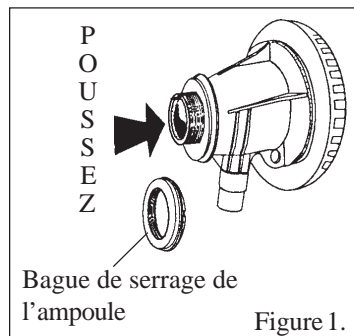


Figure 1.

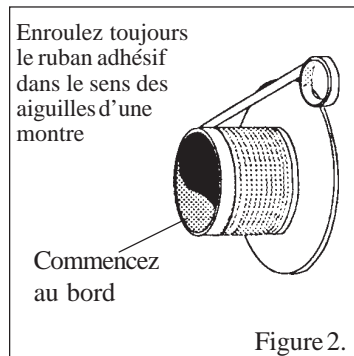


Figure 2.

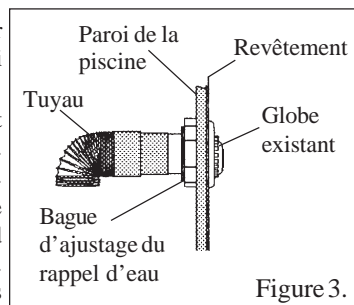


Figure 3.

⚠ ATTENTION

Pour les parois à panneaux étroits et enclenchables en aluminium filé, le collet mural doit être centré entre les arêtes lorsque l'on regarde de l'intérieur de la piscine. Ajoutez au collet mural le patin d'espacement et le joint supplémentaire avant d'introduire le collet dans le panneau de la paroi. Ceci est nécessaire pour pouvoir adapter un accessoire de fontaine.

11. Tenez l'orifice d'arrivée d'eau du raccord dans la position "trois heures" et amenez le raccord contre le filetage du collet mural tout en maintenant l'orifice d'arrivée d'eau dans la position "trois heures" (voir figure 6). Vissez le collet mural et serrez-le à la main au maximum. Faites tourner le collet et non le raccord.

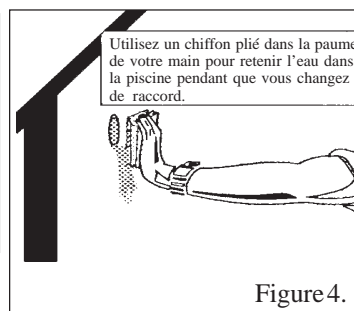


Figure 4.

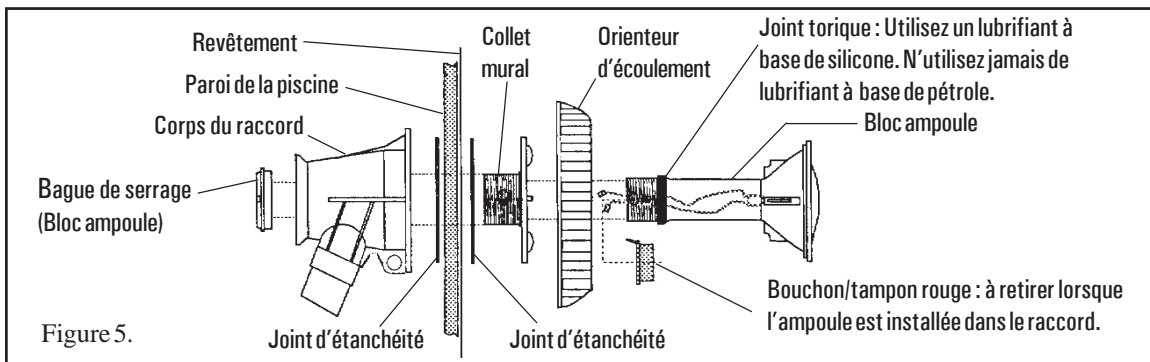


Figure 5.

⚠ AVERTISSEMENT

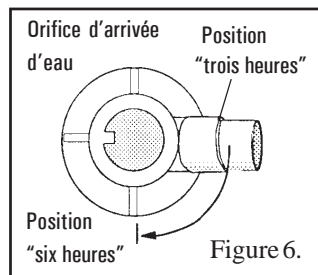
Le luminaire doit être installé de telle manière que le mot "top"/"haut" soit situé en haut une fois l'installation terminée. Une mauvaise orientation et une qualité d'eau médiocre peuvent endommager le luminaire.



⚠ ATTENTION

Ne serrez pas le collet mural de manière excessive.

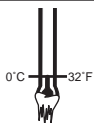
12. Pour terminer le serrage, maintenez le collet mural en place et faites tourner le raccord jusqu'à ce que l'orifice d'arrivée d'eau soit dans la position "six heures" (voir figure 6).
13. Prenez une bride de serrage de tuyau et posez-la sur la manchette du tuyau de rappel d'eau.
14. Glissez le tuyau de rappel d'eau de l'appareil sur l'orifice d'arrivée d'eau et serrez bien la bride (voir figure 7).
15. Prenez le bloc ampoule et passez-le à travers l'orienteur d'écoulement. Observez la rainure de clavette sur le bloc ampoule, représentée dans la figure 8 : elle doit être dirigée dans le même sens que la clavette située dans la partie supérieure du raccord.
16. Depuis l'intérieur de la piscine, poussez maintenant le bloc ampoule avec l'orienteur d'écoulement, le bouchon/tampon rouge étant bien en place, dans le corps du raccord jusqu'à ce que le bloc ampoule et l'orienteur soient presque en contact avec la paroi intérieure de la piscine.
17. Vissez la bague de serrage du bloc ampoule jusqu'à ce qu'elle touche à peine le raccord, puis serrez-la avec les doigts.



⚠ ATTENTION

Ne serrez pas de manière excessive : vous pourriez rendre impossible le réglage de l'orienteur d'écoulement et/ou endommager certaines pièces, ce qui pourrait provoquer des fuites. Si vous ne pouvez pas faire pivoter l'orienteur d'écoulement manuellement, la bague est trop serrée.

18. Ôtez le bouchon/tampon rouge de l'arrière du bloc ampoule et dégagez avec précaution les connecteurs de fils. Conservez le bouchon/tampon rouge pour le rangement et l'hivernage.



⚠ ATTENTION

Ce luminaire peut être endommagé s'il est soumis à des températures de gel. Pour des indications détaillées sur le démontage/rangement du bloc ampoule, voir les consignes d'hivernage.

SECTION III. BRANCHEMENTS ÉLECTRIQUES POUR LES PISCINES DÉMONTABLES

1. Branchez les connecteurs du bloc ampoule sur les connecteurs reliés au capuchon-pressure du cordon électrique.

NOTE

Les fils électriques ne sont pas polarisés (pas de côté positif ou négatif) : ils peuvent être connectés à l'un ou l'autre bout.

2. Fermez l'arrière du raccord avec le capuchon et tournez le tout de telle manière que le cordon électrique soit dirigé vers le bas.
3. Installez le transformateur sur la paroi verticale à l'aide de la vis unique comprise dans l'emballage.
4. Branchez la prise à 3 fiches du cordon d'alimentation sur une prise de courant adéquate, protégée par un disjoncteur de fuite de terre de 110V et située à une distance d'au moins 10 pieds (3 m) de la piscine.
5. Si la lampe ne s'allume pas, actionnez *une fois* l'interrupteur du transformateur.

⚠ AVERTISSEMENT



Risque d'électrocution. Connectez uniquement à une prise de terre protégée par un disjoncteur de fuite de terre. N'utilisez jamais de rallonges pour les branchements. Tout manquement à cette consigne peut provoquer la mort ou des blessures personnelles graves.

QU'EST-CE QU'UN DISJONCTEUR DE FUITE DE TERRE???

Un "disjoncteur de fuite de terre" est un appareil électrique de sécurité conçu pour mesurer les fuites électriques dans un circuit. Il est beaucoup plus sensible qu'un disjoncteur standard. Un disjoncteur ou une combinaison de prises de courant équipé(e) d'un disjoncteur de fuite de terre réagit aux fuites dangereuses et coupe le courant avant qu'une électrocution puisse provoquer des blessures. Tout appareil électrique fonctionnant dans un rayon de 10 pieds (3 m) autour d'une piscine doit être protégé par une prise ou un disjoncteur équipé(e) d'un disjoncteur de fuite de terre, et doit être destiné uniquement à ce type d'usage.

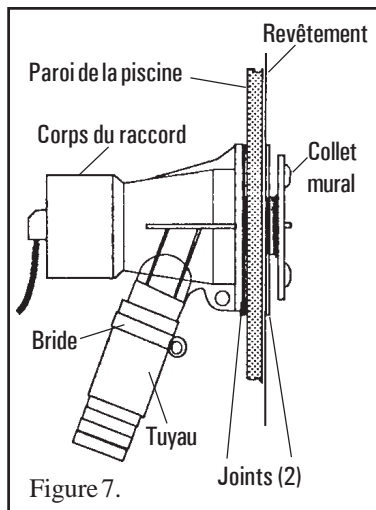


Figure 7.

SECTION IV. CONSIGNES POUR LE REMPLACEMENT DE LA LAMPE

⚠ AVERTISSEMENT



Risque d'électrocution. Coupez le courant avant de commencer le remplacement de cette pièce. Tout manquement à cette consigne peut provoquer la mort ou des blessures personnelles graves.

1. Il est préférable d'abaisser le niveau d'eau jusqu'au bord inférieur de l'orienteur d'écoulement. Il vous sera ainsi plus facile de remplacer le bloc ampoule, mais ce n'est pas obligatoire.
2. Coupez le courant du dispositif en retirant la prise à 3 fiches du cordon d'alimentation de sa prise de courant, ou, dans le cas d'un appareil câblé, en mettant le disjoncteur correspondant en position éteinte.

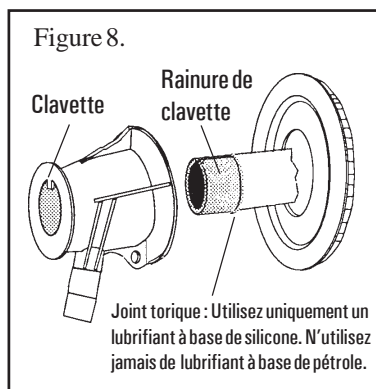


Figure 8.

3. Ôtez le capuchon du cordon électrique en introduisant un tournevis à pointe plate dans l'orifice d'accès, comme le montre la figure 9, et en faisant levier vers le haut.
4. Débranchez les deux connecteurs, mettez le capuchon du cordon électrique de côté dans un endroit sec et ôtez la bague de serrage du bloc ampoule.
5. Vous devez à ce moment avoir le nouveau bloc ampoule de remplacement à portée de main et vous assurer que le bouchon/tampon rouge est bien enfoncé dans le bloc ampoule afin d'éviter l'écoulement d'eau à l'intérieur.

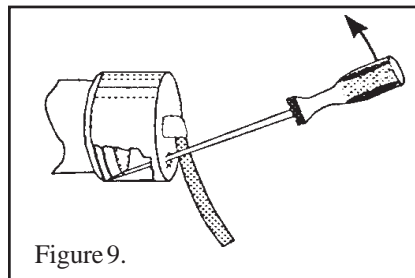


Figure 9.

6. Si vous avez pu abaisser le niveau de l'eau comme conseillé au paragraphe 1, il vous suffit de retirer l'ancien bloc ampoule en tirant sur l'orienteur d'écoulement et en poussant sur le bloc ampoule depuis l'extérieur de la piscine. Si vous n'avez pas pu abaisser le niveau d'eau, procédez comme suit : poussez le bloc ampoule depuis l'extérieur de la piscine tout en maintenant l'arrière du raccord recouvert d'un chiffon plié dans la paume de votre main afin d'éviter l'écoulement d'eau par l'arrière du raccord (voir figure 4). Dégagez ensemble l'orienteur d'écoulement et l'ampoule.
7. Prenez le nouveau bloc ampoule, le bouchon/tampon rouge étant bien en place, et passez-le à travers l'orienteur d'écoulement. Observez la rainure de clavette sur le bloc ampoule, représentée dans la figure 8 : elle doit être dirigée dans le même sens que la clavette dans la partie supérieure du corps du raccord.

De l'intérieur de la piscine, poussez maintenant le bloc ampoule et l'orienteur d'écoulement ensemble dans le corps du raccord jusqu'à ce qu'ils soient tous deux presque en contact avec l'intérieur de la paroi de la piscine. Vous pouvez alors retirer votre main : le raccord doit être à nouveau scellé hermétiquement.

8. Vissez la bague de serrage du bloc ampoule jusqu'à ce qu'elle touche à peine le raccord, puis serrez-la avec les doigts.

	ATTENTION
<p>Ne serrez pas de manière excessive : vous pourriez rendre impossible le réglage de l'orienteur d'écoulement et/ou endommager certaines pièces, ce qui pourrait provoquer des fuites. Si vous ne pouvez pas faire pivoter l'orienteur d'écoulement manuellement, la bague est trop serrée.</p>	

9. Ôtez le bouchon/tampon rouge de l'arrière du bloc ampoule et dégagez avec précaution les connecteurs de fils. Conservez le bouchon/tampon rouge pour le rangement et l'hivernage.
10. Branchez les connecteurs du bloc ampoule sur les connecteurs reliés au capuchon-pression du cordon électrique.

NOTE

Les fils électriques ne sont pas polarisés (pas de côté positif ou négatif) : ils peuvent être connectés à l'un ou l'autre bout.

11. Fermez l'arrière du raccord avec le capuchon et tournez le tout de telle manière que le cordon électrique soit dirigé vers le bas (voir figure 10).

AVERTISSEMENT	
	<p>Risque d'électrocution. Connectez uniquement à une prise de terre protégée par un disjoncteur de fuite de terre. N'utilisez jamais de rallonges pour les branchements. Tout manquement à cette consigne peut provoquer la mort ou des blessures personnelles graves.</p>

12. Rétablissez le courant sur un circuit électrique en effectuant les branchements adéquats. Voir Section III, “Branchements électriques”. Si la lampe ne s’allume pas, actionnez *une fois* l’interrupteur sur le boîtier du transformateur.

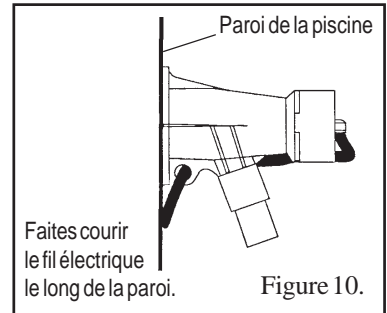
⚠ AVERTISSEMENT



Ceci est un dispositif électrique. L'utilisation de ce produit par des enfants sans surveillance peut provoquer des blessures et/ou la mort.

SECTION V. CONSIGNES DE DÉMONTAGE ET D'HIVERNAGE

1. Pour l’hivernage, le niveau d’eau est habituellement abaissé jusqu’à ce qu’il soit en-dessous du dispositif d’écumage et du luminaire.
2. **Pour les piscines démontables :** coupez le courant du luminaire en retirant la prise à trois fiches du cordon d’alimentation de sa prise de courant électrique.
3. Retirez le capuchon du cordon électrique en introduisant un tournevis à pointe plate dans l’orifice d’accès et en faisant levier vers le haut (voir figure 9, Section IV).
4. Les connecteurs doivent être délicatement déconnectés puis enfoncés dans l’arrière du bloc ampoule.
5. Fermez ensuite l’arrière du bloc ampoule à l’aide d’un bouchon/tampon rouge.
6. Retirez la bague de serrage du bloc ampoule.
7. Retirez le bloc ampoule en tirant sur l’orienteur d’écoulement et en poussant le bloc ampoule depuis l’extérieur de la piscine.



NOTE

Le raccord, le collet mural fileté et les joints d’étanchéité peuvent rester fixés à la piscine pendant l’hivernage mais sont à retirer si la piscine doit être démontée.

8. **Pour les piscines démontables :** retirez le transformateur de sa monture en le tirant vers le haut et vers l’extérieur.
9. Rangez toutes les pièces ensemble dans une boîte que vous conserverez à l’abri.

Au moment de réinstaller le bloc ampoule à la prochaine saison, n’utilisez aucun produit à base de pétrole.

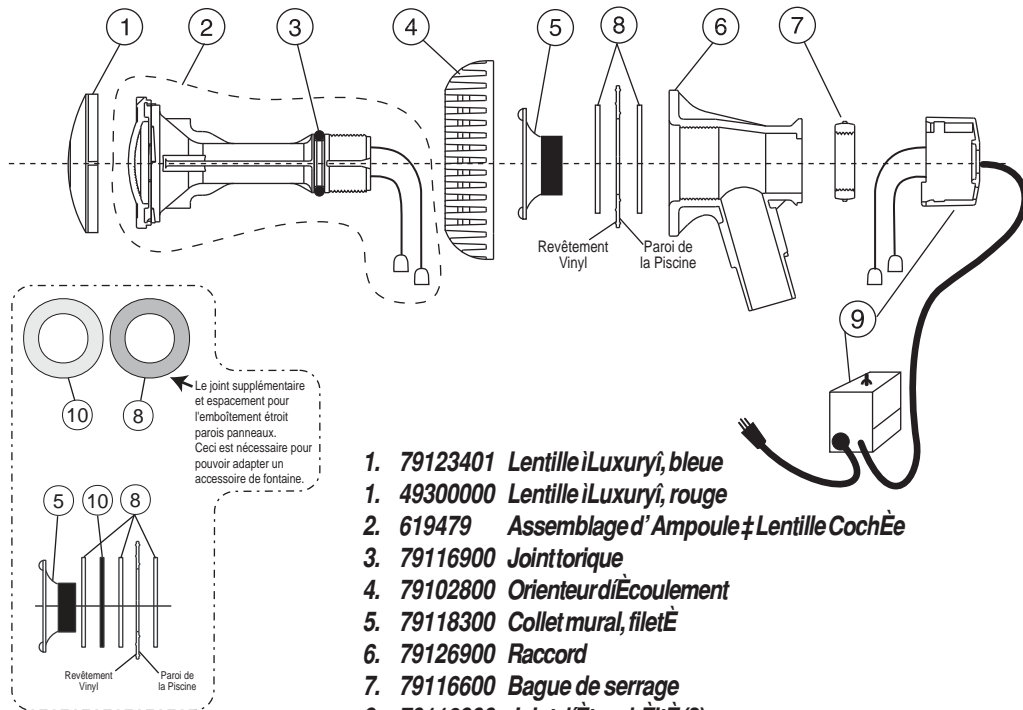
⚠ ATTENTION



N'utilisez aucun lubrifiant à base de pétrole. Les produits à base de pétrole détruisent les pièces en plastique. Lubrifiez le joint torique uniquement à l'aide d'un lubrifiant à base de silicone. Le joint torique doit être remplacé chaque fois que le bloc ampoule est retiré.

SECTION VI. FICHE TECHNIQUE

A. PIÈCES DE RECHANGE



1. 79123401 *Lentille iLuxury, bleue*
1. 49300000 *Lentille iLuxury, rouge*
2. 619479 *Assemblage d' Ampoule et Lentille CochÈe*
3. 79116900 *Joint torique*
4. 79102800 *Orienteur d'Écoulement*
5. 79118300 *Collet mural, filetÈ*
6. 79126900 *Raccord*
7. 79116600 *Bague de serrage*
8. 79116800 *Joint d'ÉtanchÉitÈ (2)*
9. 79103502 *Bloc transformateur avec cordon Électrique et capuchon CSA*
10. 79110700 *Patin d'espacement, montage*

CONSERVEZ CES CONSIGNES EN LIEU SÛR



1620 HAWKINS AVE., SANFORD, NC 27330 • (919) 566-8000
10951 WEST LOS ANGELES AVE., MOORPARK, CA 93021 • (805) 553-5000
WWW.PENTAIR.COM

Tous les logos et marques de fabrique Pentair sont la propriété de Pentair, Inc. Pentair Aquatic Systems™, AquaLuminator® sont des marques de commerce déposées de Pentair Water Pool and Spa, Inc. et/ou de ses entreprises affiliées aux États-Unis et dans les autres pays. Sauf si cela est expressément indiqué, les noms et marques de tiers pouvant être utilisés dans ce document ne sont pas utilisés pour indiquer une affiliation ou un endossement entre les propriétaires de ces noms et des marques et Pentair Water Pool and Spa, Inc. Ces noms et marques peuvent être des marques de fabrique ou des marques de commerce déposées de ces tiers. Comme nous améliorons continuellement nos produits et services, Pentair se réserve le droit de modifier les spécifications sans préavis. Pentair est un employeur souscrivant au principe de l'égalité d'accès à l'emploi.